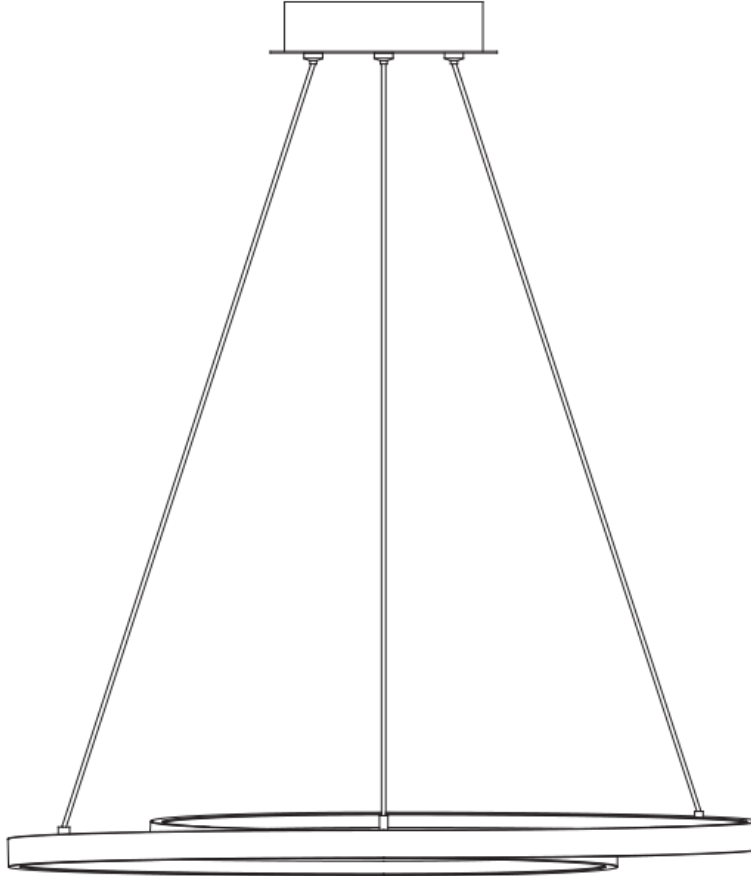


Infinity Matt Black Loop Integrated LED Ceiling Light

Item: 26272



Product Dimensions

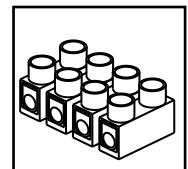
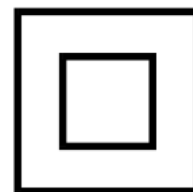
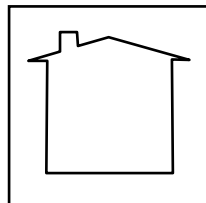
Length: 53 cm

Width: 53 cm

Height: 100 cm (maximum)

Ceiling Plate Diameter: 16 cm

Weight: 0.98 Kg



Thank you for purchasing the Infinity Matt Black Loop Integrated LED Ceiling Light. This manual will guide you through the setup and operation of the product. Please read the instructions carefully before using the light.

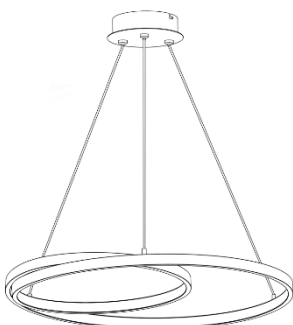
Care and Maintenance Advice

- Before cleaning or maintaining the ceiling light, always disconnect it from the power source.
- To clean the main frame, use a soft, dry cloth to remove any dust or debris.
- Dust can accumulate on the surface of the light fixture over time. To maintain its sleek appearance, gently dust the product with a soft, lint-free cloth or a feather duster on a regular basis.
- When cleaning your ceiling light, refrain from using harsh chemicals, abrasive cleaners, or solvents. Instead, use a mild soap diluted in water. Apply the soapy solution with a soft cloth and gently wipe the surface. Rinse thoroughly with clean water and pat dry to prevent water spots.
- The painted matt black finish is susceptible to scratches and abrasions. Handle the light fixture with care and avoid dragging or rubbing it against hard surfaces. When disassembling or installing the fixture, place it on a soft, padded surface to prevent accidental damage.
- Although the product is designed for indoor use, ensure that it is installed in a dry environment. Avoid exposing the ceiling light to excessive moisture, such as in bathrooms or outdoor areas, as this may damage the finish and internal components.
- Periodically inspect the fixture for any signs of wear, loose screws, or other issues. If you notice any problems, contact a qualified technician for assistance. Never attempt to repair electrical components yourself.
- Prolonged exposure to direct sunlight may cause the black colour to fade or discolour over time. Install the ceiling light away from direct sunlight or use window treatments to protect it from harmful UV rays.
- If you ever need to store or transport the light fixture, ensure that it is securely packaged and protected from impacts or jostling. Use the original packaging whenever possible to provide the best protection during storage or transit.

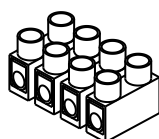
SPECIFICATIONS

Material:	Metal, Aluminium, PVC
Finish:	Painted Matt Black
Colour:	Black
Light Source:	LED Integrated (SMD)
Maximum Wattage:	36 Watts
Brightness / Beam Angle:	4300 Lumens / 110°
Colour Temperature:	3000K (Warm white)
Colour Rendering Index (CRI):	> 80
LED Lifespan:	25,000 Hours
Energy Efficiency Rating:	E
Power Source (Voltage):	Mains (240 Volts)
Dimmable:	No
Protection Class:	Class II (double insulated - it doesn't require an Earth connection)
Waterproof Grade (IP Rating):	IP20 (Protected against solid objects over 12mm, e.g., fingers – Not protected from liquids).
Adjustable:	Maximum Height: 100cm. Minimum Height: 70cm – 80cm. (The cable can be adjusted 20cm – 30cm)
Weight:	0.98 Kg

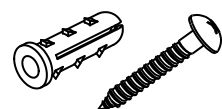
Components and Fittings



Lighting fitting (pre-wired)



Terminal Block
(Fitted in ceiling plate)



2 x Screws and 2 x Plugs
(Included in pack)

IF AT ALL UNSURE, STOP NOW AND SEEK PROFESSIONAL GUIDANCE

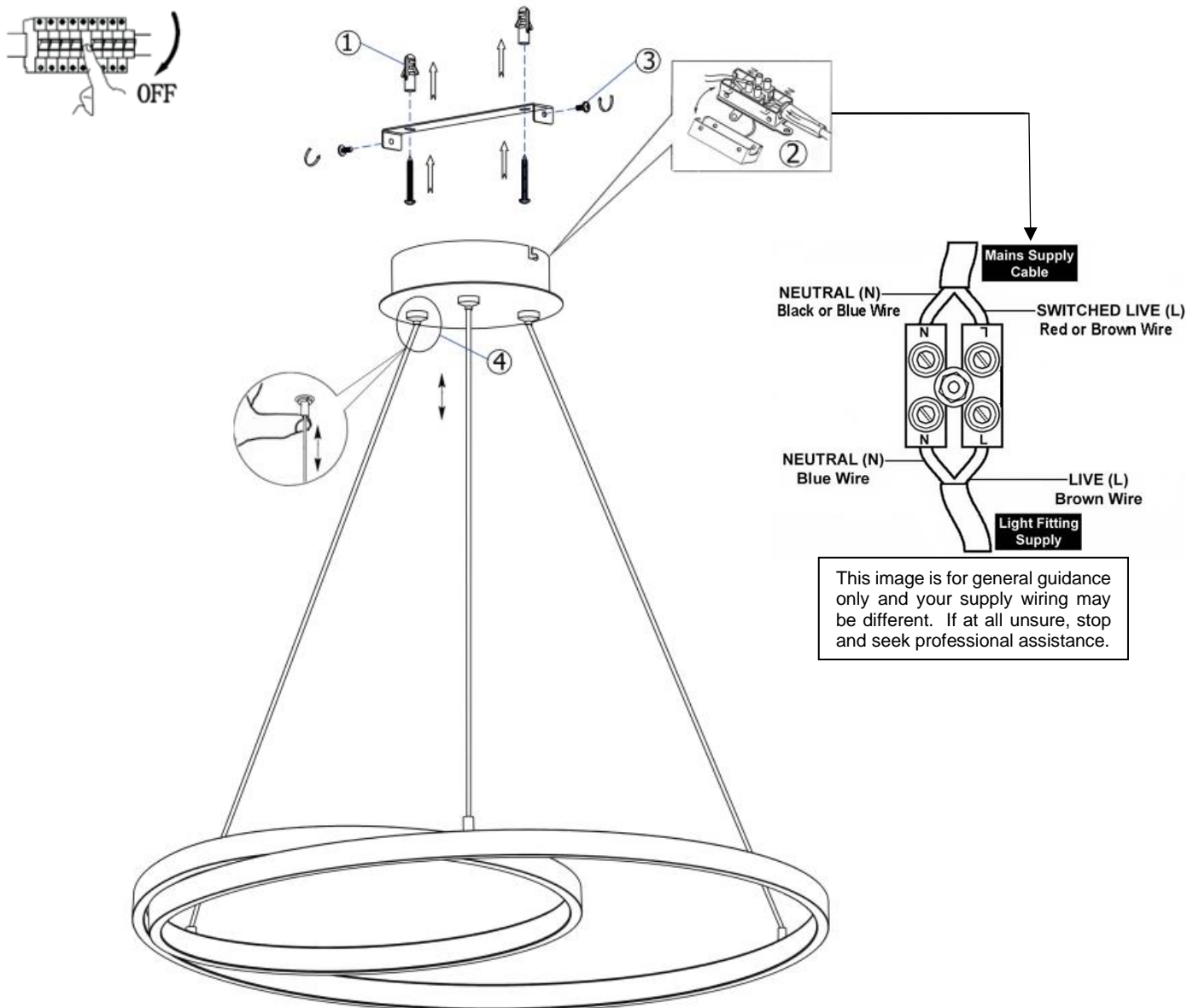
Suggested tools required (not supplied)

- ✓ Screwdriver - with insulated handle.
- ✓ Pliers - for twisting wire and cutting cable.
- ✓ Drill – choose appropriate drill bits for your chosen location and mounting surface.
- ✓ Wire strippers.



Assembly and set up:

- Unpack the product and remove all packaging. Lay the product out on the floor. If the floor is not carpeted, please cover it with a soft cloth to avoid damage to the flooring and surface of the product.
- Ensure power is switched **off** at mains control unit.
- Unscrew the two side screws to remove bracket from ceiling plate. Drill suitable holes into the ceiling, ensuring that they align with the holes in the bracket. Screw the bracket onto the ceiling using suitable screws. ①
- Connect the supply wires to the terminal block, opposite the corresponding wires from the fitting. (Ensure that connections are tight, and no loose strands of wire are left out of the connector block). ②
- Refit the bracket back to the ceiling plate using the side screws provided to securely fasten it in place. ③
- To adjust the hanging cables for the ceiling light, locate the button-like mechanism on the ceiling plate. Press the button to easily raise or lower the cables, allowing you to achieve your desired height for the light fixture. The cables can be adjusted 20cm – 30cm. ④
- Switch ON at mains control unit.

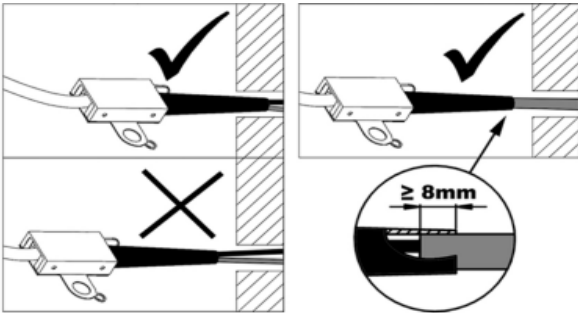


WARNING: PLEASE MAKE SURE THE ELECTRICITY IS SWITCHED OFF AT THE MAINS SUPPLY BOARD, BEFORE STARTING INSTALLATION PROCESS.

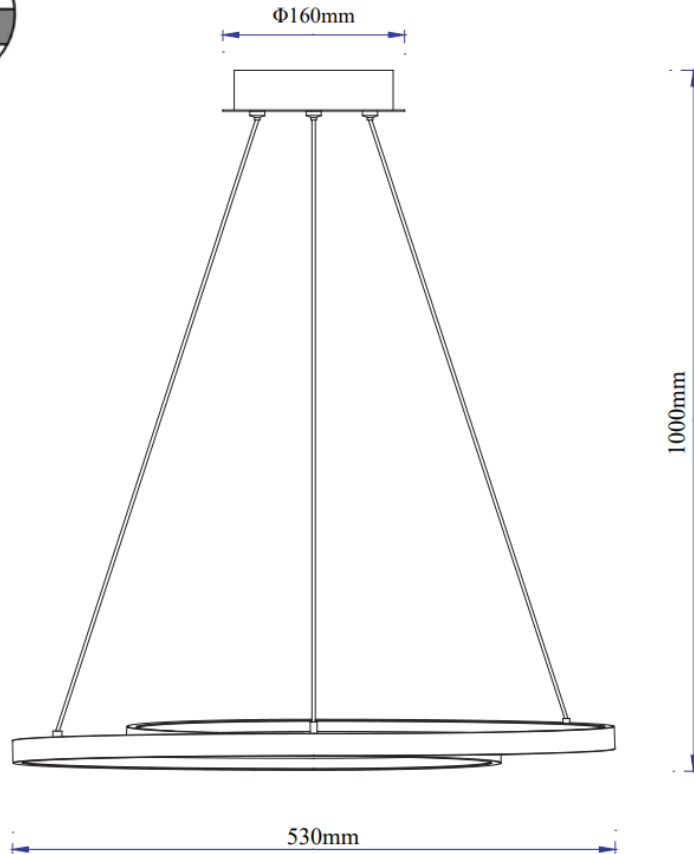
IF IN DOUBT ABOUT FITTING THIS PRODUCT, PLEASE CONSULT A QUALIFIED ELECTRICIAN

Safety and Position:

- Use screws and fixings that are suitable for the material of your ceiling. If the supplied ones are not compatible, select appropriate ones to ensure a secure installation.
- This product is classified as Class II (double insulated), and it doesn't require an Earth connection.
- This fixture must be permanently wired into the electrical system. Always **switch off power** to the circuit before starting any installation work.
- Do not modify or alter the product before or after installation. Any unauthorized alterations may invalidate the warranty and compromise safety.
- The terminal block should be housed within the mounting plate or a suitable recess behind the fitting to prevent exposure to live connections.
- All wiring must conform to the current I.E.E regulations to maintain safe electrical connections and compliance with standards. If unsure, consult a competent electrician to ensure proper and safe installation.
- Do not mount the fitting in a damp atmosphere.
- Be aware of any sunken pipes or wiring before choosing a location.
- Ensure sufficient access to the fitting to enable safe maintenance.



Note: When connecting the Mains power cable (Neutral and Live) from the wall to the terminal block, ensure the Class II (double insulated) feature is maintained. Place the Mains cable into the provided black rubber sleeve, included with the terminal block, for double insulation. Avoid leaving the Neutral and Live cables exposed outside the black rubber sleeve; instead, ensure they are inserted at least 8mm within the rubber sleeve to ensure proper insulation and safety.



Important Information

If you need help or have damaged or missing parts, call the Customer Helpline: 0161 837 6095
Opening Times: Monday to Friday, 9am to 5pm. Closed Saturday and Sunday.
(By contacting the customer service line your statutory rights are not affected)

Please have the following information to hand:

- ✓ Item Description
- ✓ Item Code
- ✓ Batch number
- ✓ Assembly Instructions

You can also e-mail your requests to us at: customerservice@valuelights.co.uk

Alternatively, you can write to us at: Customer Service Department, Value Lights, 4 Omega Drive, Iram, Manchester, M44 5GR.