

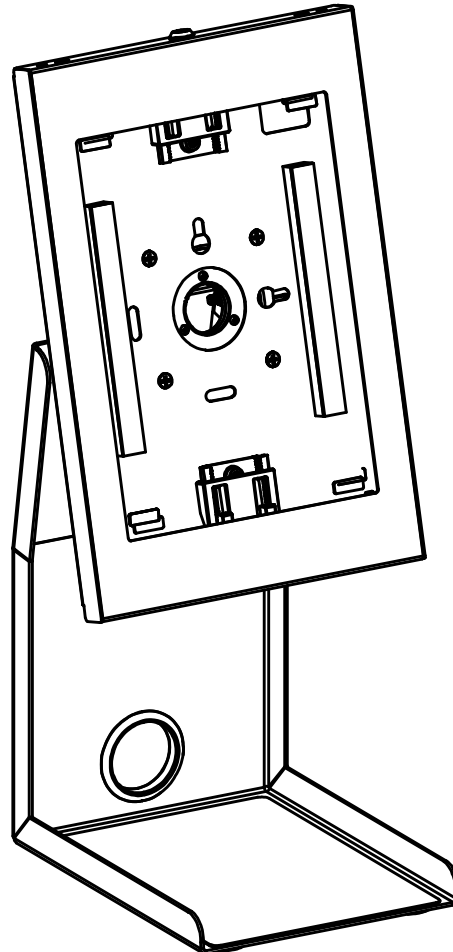
# MOUNT-IT!

Installation Manual

SKU: MI-3883B\_G10

SKU: MI-3883W\_G10

V2 11/24



Scan this QR code for product information, videos, and assembly assistance.

## ANTI-THEFT TABLET KIOSK WITH PRINTER SHELF



**HAVE QUESTIONS?**

Monday - Friday from 5:00am - 5:00pm PST



support@mount-it.com



(855) 925-5668



www.mount-it.com

# Thank you for choosing Mount-It!

**EN** Read the entire instruction manual before you start installation and assembly. If you have any questions regarding any of the instructions or warnings, please contact Mount-It for assistance.

- CAUTION:** Use with products heavier than the rated weights indicated may result in instability causing possible injury. Do not use with products that are not designed for this purpose. Do not use on uneven or unevenly supported surfaces.
- This product is designed to be installed on solid concrete walls, masonry walls or wood stud walls.
- Make sure that the supporting surface is sturdy enough to support the weight of the equipment and all attached hardware and components.
- Do not use on any surface that is not labeled as suitable for mounting. Do not use on any surface that is not labeled as suitable for mounting.
- This product contains small items that could be a choking hazard if swallowed. Keep these items away from children.
- This product is intended for indoor use only. Using this product outdoors could lead to product failure and personal injury.
- Be sure that you have received all parts according to the component checks prior to installation. If any parts are missing or faulty, contact Mount-It for a replacement.

**MAINTENANCE:** Check that the product is secure and safe to use at regular intervals (at least every three months).

**DE** Lesen Sie die gesamte Bedienungsanleitung, bevor Sie mit der Installation und Montage beginnen. Wenn Sie Fragen zur Anleitung oder Warnungen haben, wenden Sie sich bitte an Ihren örtlichen Händler.

- VORSICHT:** Die Verwendung mit Produkten, die schwerer als die angegebenen Nennwerte sind, kann zu Instabilität führen und zu möglichen Verletzungen führen. Verwenden Sie das Produkt nicht für Produkte, die nicht für diesen Zweck vorgesehen sind. Verwenden Sie das Produkt nicht auf unebenen oder ungleichmäßig unterstützten Oberflächen.
- Dieses Produkt ist für massiven Betonwänden oder Mauerwerkswänden zu montieren.
- Stellen Sie sicher, dass die tragende Oberfläche stabil genug ist, um das Gewicht des Geräts und aller angeschlossenen Komponenten sicher trägt.
- Verwenden Sie die mitgelieferten Befestigungsmittel und die Befestigungsanleitung NICHT ZU FEST ANZIEHEN.
- Dieses Produkt enthält Kleinteile, die beim Verschlucken eine Erstickungsgefahr darstellen können. Halten Sie diese Gegenstände von Kindern fern.
- Dieses Produkt ist nur für den Innenbereich bestimmt. Die Verwendung dieses Produkts im Freien kann zu Produktversagen und Verletzungen führen.
- Bevor Sie mit der Installation beginnen, stellen Sie sicher, dass Sie alle Teile gemäß der Komponente-Checkliste erhalten haben. Bei Bestandteilen oder fehlenden Teilen, wenden Sie sich an Ihre Verkaufsstelle, um Ersatz zu erhalten.
- WARTUNG:** Überprüfen Sie das Produkt in regelmäßigen Abständen auf Sicherheit und Stabilität (am besten alle drei Monate).

**FR** Utilisez entièrement le guide d'utilisation avant de commencer l'installation et le montage. Si vous avez des questions concernant les instructions ou les avertissements, veuillez contacter votre distributeur local pour une assistance.

**ATTENTION:** L'utilisation de produits plus lourds que les poids nominaux indiqués peut entraîner une instabilité causant des blessures potentielles.

- Utiliser ce produit avec des produits plus lourds que les poids nominaux indiqués peut entraîner des dommages ou des graves blessures aux personnes.
- Utiliser ce produit sur des surfaces inégales ou instables peut entraîner des dommages ou des graves blessures aux personnes.
- Assurez-vous que la surface de soutien supporte en sécurité le poids combiné de l'équipement et de tous les matériaux et composants associés.
- Le produit contient de petites pièces qui peuvent causer un étouffement si elles sont avalées. Éloignez ces pièces des enfants.
- Ce produit est destiné à un usage intérieur. L'utilisation de ce produit à l'extérieur peut entraîner une défaillance du produit ou des blessures aux personnes.
- IMPORTANT:** Avant l'installation, assurez-vous que vous avez reçu toutes les pièces selon le liste de vérification de composants, et que le support est d'utilisation sûre et fiable.
- Assurez-vous que vous avez reçu toutes les pièces selon le liste de vérification de composants. Si une pièce est manquante ou défectueuse, contactez votre distributeur local pour une assistance.

**MAINTENANCE:** À intervalles réguliers (au moins tous les trois mois) vérifiez que le support est d'utilisation sûre et fiable.

**RU** Перед началом установки и сборки прочитайте руководство по установке. Если у вас возникли вопросы по поводу инструкций, свяжитесь с вашим местным дистрибутором для получения помощи.

- Внимание:** Использование продукции, вес которой превышает указанный расчетный вес, может привести к неустойчивости и возможным травмам. Не используйте данное изделие с продуктами, которые не предназначены для этого. Не используйте данное изделие на неровных или неустойчивых поверхностях.
- Никогда не используйте данное изделие на неровных или неустойчивых поверхностях. Поддерживайте устойчивость только профессионалами.
- Продукт предназначен для установки на прочные кирпичные стены, твердые цементные стены или кирпичные стены.
- Обязательно проверьте надежность выбранной для установки поверхности и конструкции.
- Данный продукт содержит мелкие детали, которые представляют опасность удушья при проглатывании. Удалите эти детали от детей.
- Данный продукт предназначен только для использования в помещениях. Использование данного продукта на улице может привести к поломке продукта и получению травм.
- Убедитесь, что вы получили все детали согласно списку проверки комплектации. Если не хватает одного или нескольких деталей, свяжитесь с вашим местным дистрибутором для получения помощи.

**TECHNISCHE BESCHRIJVING:** Het product is bestemd voor gebruik in binnenruimten. Het is niet bedoeld voor gebruik in openbare ruimtes.

**ES** Lea todo el manual de instrucciones antes de comenzar la instalación y ensamblaje de la unidad. Si tiene alguna inquietud con respecto a las instrucciones o advertencias, comuníquese con su distribuidor local.

- PRECAUCIÓN:** Utilizar con productos de mayor peso al indicado en el manual de instrucciones ocasionará inestabilidad y posibles lesiones personales.
- Utilice los terminales y espacio de seguridad adecuados. Este producto solo debe ser instalado por profesionales.
- Este producto está diseñado para instalaciones en paredes de maderas sólidas, concreto sólido o bloques.
- Verifique que la superficie de soporte soporte en seguridad el peso combinado de la unidad y todos sus componentes y hardware.
- Este producto contiene piezas pequeñas que representan un riesgo de asfixia. Manténgalas alejadas fuera del alcance de los niños.
- Este producto está diseñado para uso en interiores solamente. Utilizar este producto en exteriores podría ocasionar daños y lesiones personales.
- Verifique que haya recibido todas las piezas según la lista de verificación de componentes para la instalación. Si falta alguna de las partes, o está dañada, comuníquese con su distribuidor.

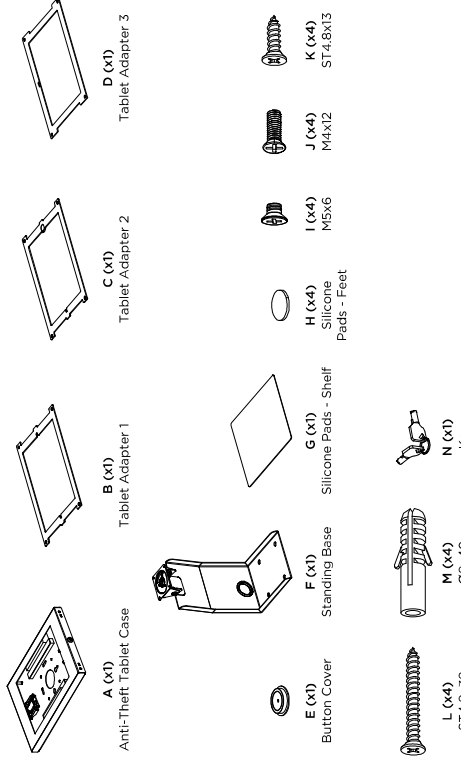
**MANUTENIMENTO:** Compruebe periódicamente que el soporte esté asegurado y listo para usar (al menos cada tres meses).

**PT** Leia todo o manual de instruções antes de iniciar a instalação e montagem. Se você tiver alguma dúvida sobre quaisquer uma das instruções ou avisos, por favor, entre em contato com o seu distribuidor local para assistência.

- ATENÇÃO:** O uso de produtos mais pesados do que os pesos indicados pode levar à instabilidade, causando possíveis lesões.
- Use os terminais e espaço de segurança adequados. Este produto só deve ser instalado por profissionais.
- Equipamentos de segurança e ferramentas adequadas devem ser utilizados. Este produto só deve ser instalado por profissionais.
- Este produto é projetado para ser instalado em pilares, paredes de madeira sólida, paredes de concreto sólido ou de tijolos.
- Verifique se a superfície de suporte suporta em segurança o peso combinado da unidade e todos os materiais e componentes associados.
- Use os parafusos de montagem fornecidos e NÃO APERTE EXCESSIVAMENTE os mesmos.
- Este produto contém pequenas peças que podem causar asfixia se ingeridas. Mantenha essas peças longe do alcance de crianças.
- Este produto é destinado somente para uso interno. Usá-lo em ambientes externos pode causar danos ao produto e lesões pessoais.
- IMPORTANTE:** Antes de iniciar a instalação, certifique-se de que você recebeu todas as peças de acordo com a lista de componentes, antes de iniciar a montagem. Se alguma peça estiver faltando ou é defeituosa, contate o seu distribuidor local para substituição.
- MANUTENÇÃO:** Confirme-se que o suporte seja seguro e protegido para o uso em intervalos regulares (pelo menos a cada três meses).



## Mount and Accessories

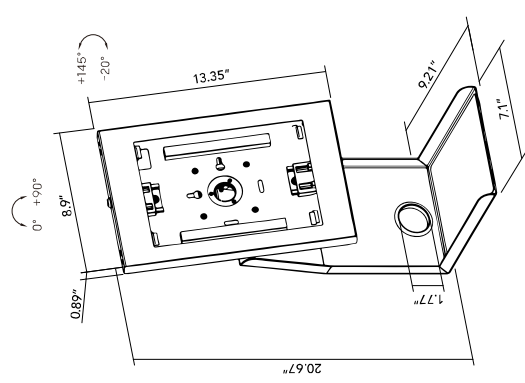


**Check carefully to make sure there are no missing or defective parts. Some hardware provided may not be used. Use the correct mounting hardware suitable for your installation.**

**CHOKING HAZARD: Package includes small parts. Not for children under 3 years. Adult supervision is required.**

**Missing Parts? Call us at (855) 925-5668 and we will ship replacement parts free of charge.**

## DIMENSIONS & WEIGHT CAPACITY



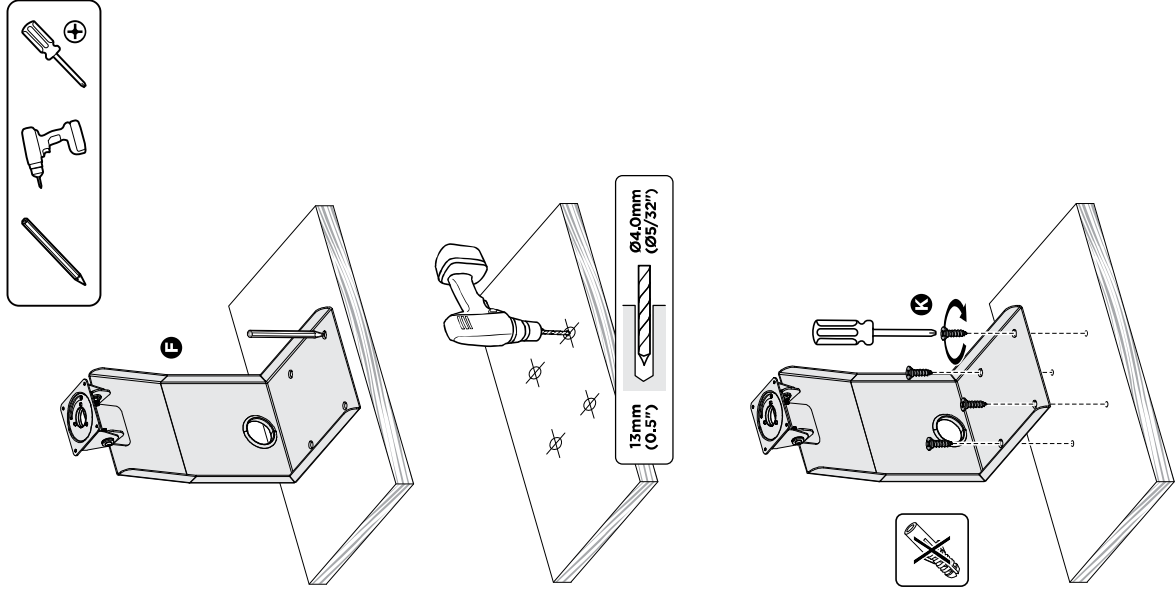
Rated weight capacity is 2.2lbs for the mount.  
**Caution:** Ensure all mounting surfaces are capable of holding the weight of your mount.  
**DO NOT EXCEED MAXIMUM LISTED WEIGHT CAPACITY. SERIOUS INJURY OR PROPERTY DAMAGE MAY OCCUR!**

## Step 1a

### A. Wood Surface Installation Option

- To secure the stand base to a wood surface use a 5/32" bit and drill holes to a depth of 0.5" and secure the stand base using the Lag Screws (#K). Do not overtighten.

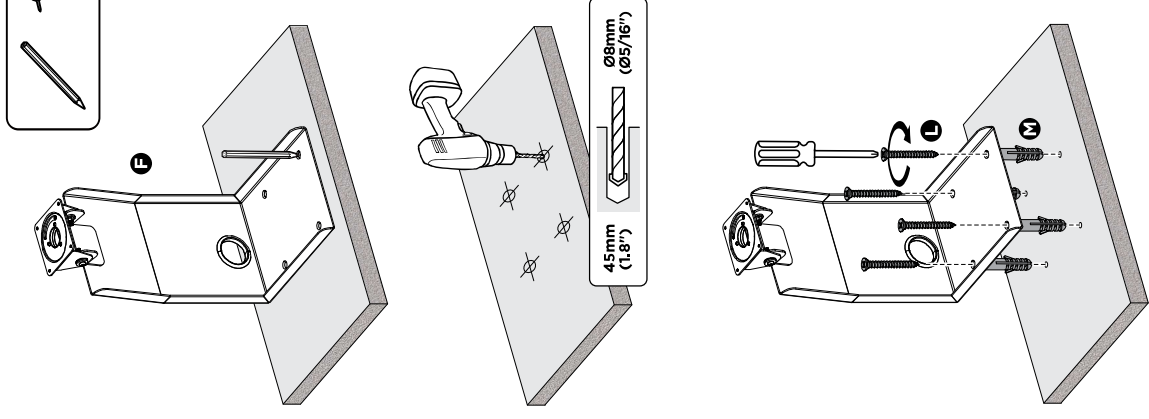
**Note:** Ensure the mounting surface is thick enough to accommodate the length of the Lag Screws.



### B. Concrete Surface Installation Option

- To secure the stand base to a concrete surface, use a 5/16" Bit and drill holes to a depth of 1.8". Clear any dust and debris from the holes and insert the Concrete Anchors (#M). Secure the stand base using the Lag Screws (#L). Do not overtighten.

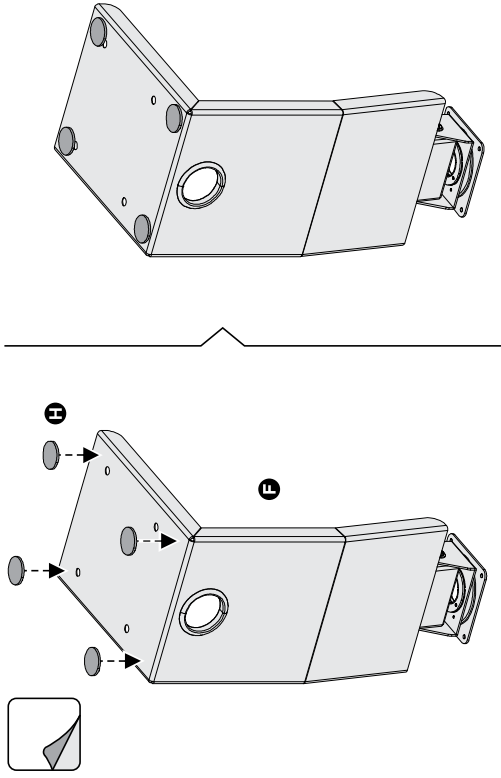
**Note:** Ensure the mounting surface is thick enough to accommodate the length of the Lag Screws.



## Step 1b

### Standing Base Option

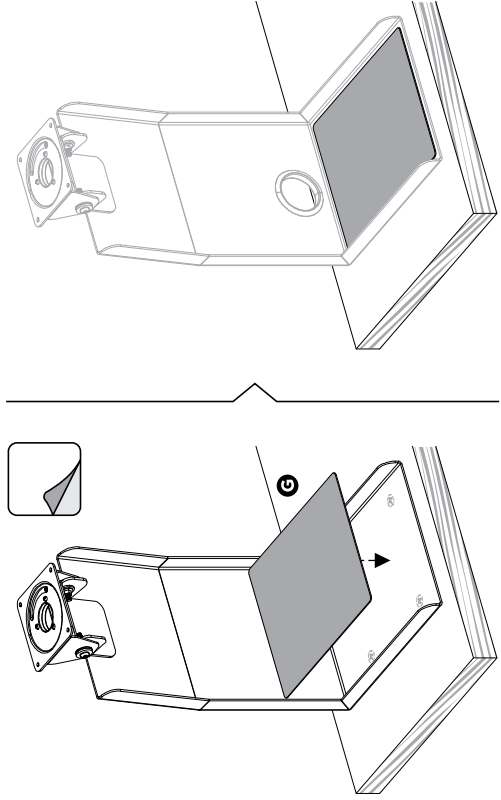
- Peel the backing off the Silicone Foot Pads (#H) and place them on the bottom, near each corner of the Standing Base (#F).



## Step 2

### Install the Silicone Pad

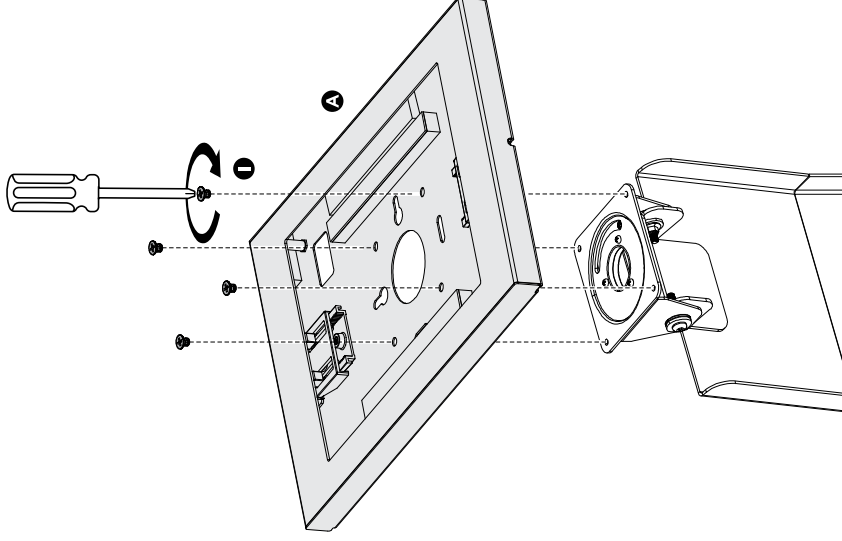
- Peel the backing off the Silicone Shelf Pad (#G) and place it onto the surface of the base shelf.



## Step 3

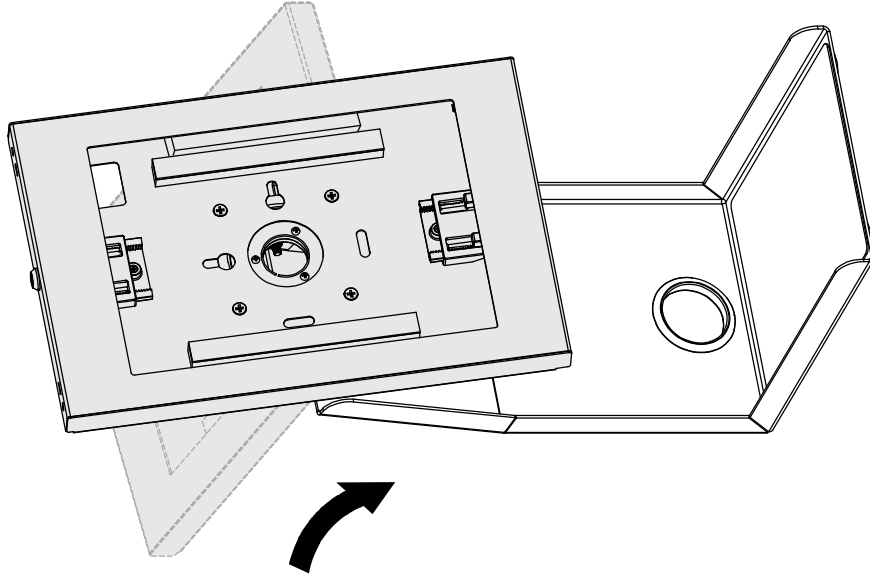
### Attach the Tablet Case to the Stand

- Attach the Tablet Case (#A) to the top of the stand using Bolts (#I) through the 4 bolt holes on the interior of the Case in the orientation shown here.



## Step 4

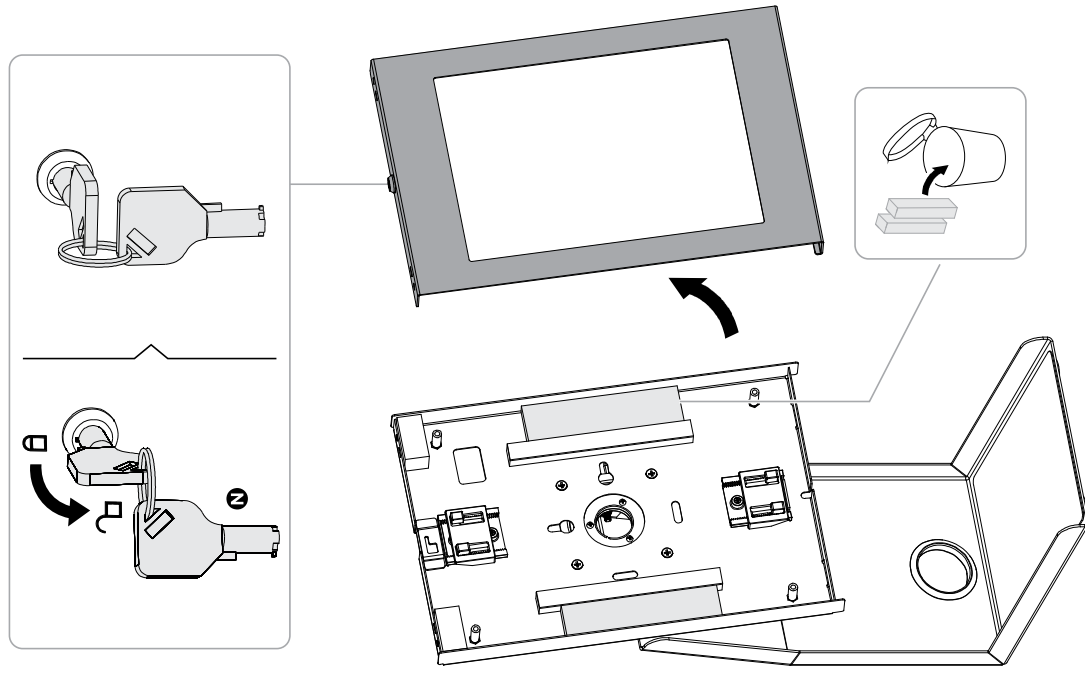
### Pull the Tablet Case into the Forward Position



## Step 5

### Open the Tablet Case

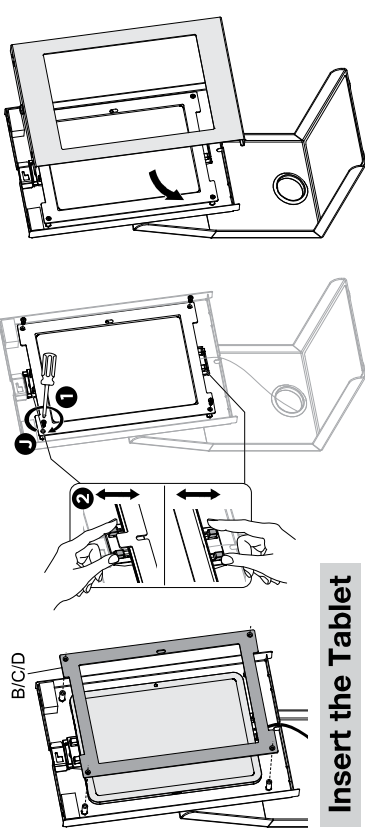
• To open the Tablet Case (#A) insert the Key (#N) and turn counterclockwise to unlock (clockwise to lock.)



## Step 6

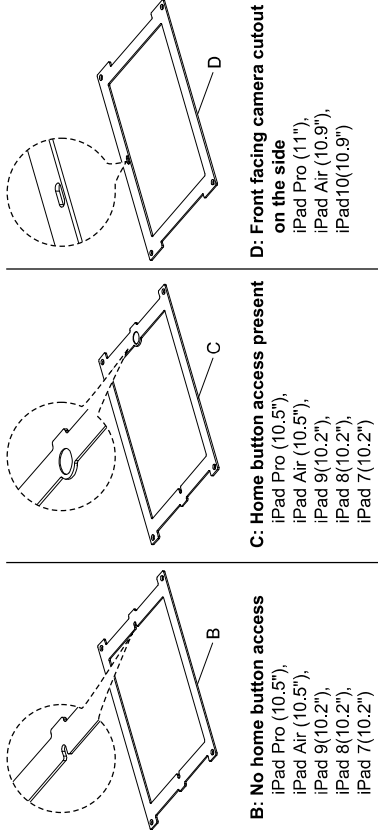
### Select the Tablet Adapter

- Select the Tablet Adapter (#B, C, D) for your tablet (see the table below for compatibility) and attach it over the tablet inside the case using the 4 Bolts (#J). Before fully tightening the bolts, center the tablet in the adapter if needed by squeezing the tabs on the clamps and adjusting them left or right.

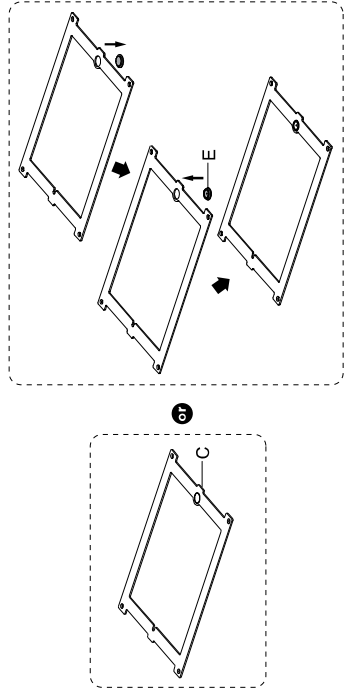


### Insert the Tablet

- Select the appropriate Tablet Adapter for your tablet by referencing the compatibility guide below.



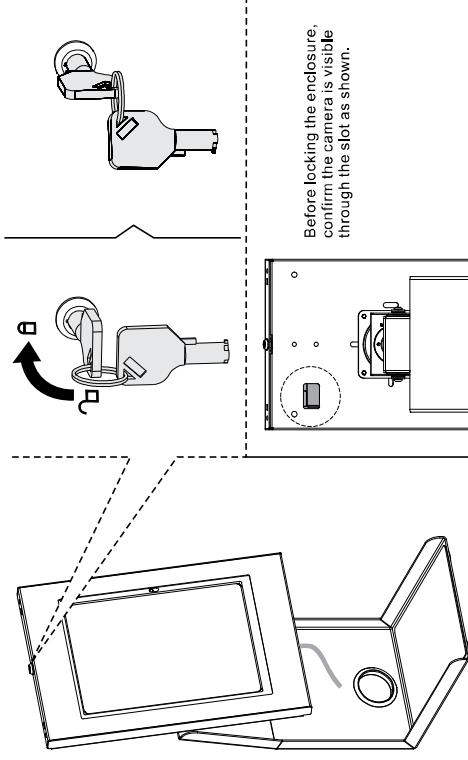
- Tablet Adapter (#C) can be used with the preinstalled soft button cover to allow for the tablet home button to be pressed, or it may be removed and replaced with the hard Button Cover (#E) which will prevent the tablet home button from being pressed.



## Step 7

### Lock the Case

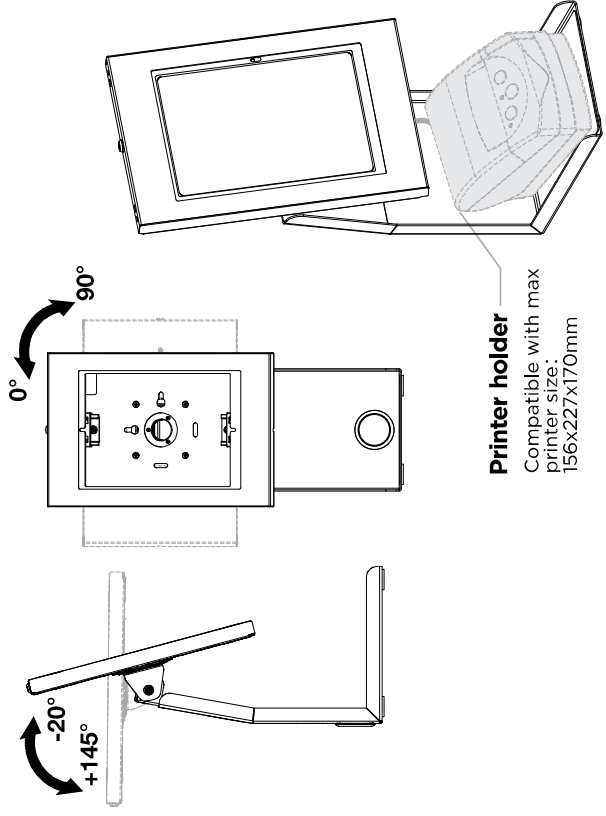
- Insert the key into the lock and turn the key clockwise to lock the case



## Step 8

### Final Adjustments

- The tablet case can be tilted forward and backwards for multiple viewing angles, and can be rotated 90 degrees to alternate between landscape and portrait orientation.



Visit us at [www.mount-it.com](http://www.mount-it.com) for product registration and warranty information.

---

Our US based customer service team is standing by to answer any questions you have about your Mount-It! product.



[support@mount-it.com](mailto:support@mount-it.com)

Available by phone **Monday - Friday from 5:00am to 5:00pm** PST.



(855) 925-5668

*Chat live with an agent on our website!*



[www.mount-it.com](http://www.mount-it.com)