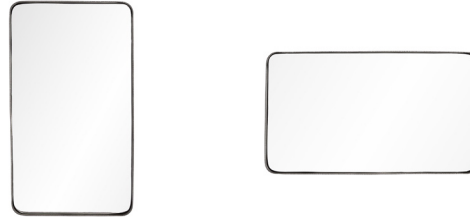
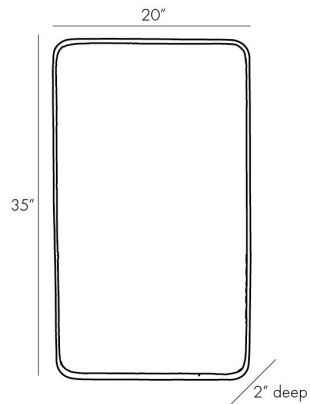


ARTERIORES

HUBERT MIRROR



4912

H: 35 IN, W: 20 IN, D: 2 IN

Natural Iron

Contract Suitable As Is

Up the ante on industrial décor with a design that is both elegant and edgy—our Hubert mirror. A natural iron form is met with chattered detailing that traces its inner frame, creating a tangible texture. A thick lip surrounds the plain glass mirror, adding depth, dimension and a touch of grandeur. It's the perfect scale for a narrow vanity or powder room. Security cleat hanging hardware allows for vertical or horizontal display.

APPEARANCE

Material	Iron, Mirror
Finish	Natural Iron, Plain
Top Coat/Sealant	true

SHIPPING

Product Weight	28.22 LBS
Gross Weight 1	51.81 LBS
Gross Weight 2	0 LBS
Shipping Box 1	H: 26 IN, L: 41 IN, W: 6 IN
Shipping Box 2	H: 0 IN, L: 0 IN, W: 0 IN

ADDITIONAL INFO

Hanger Position	Vertical & Horizontal
Hanger Type	Security Cleat