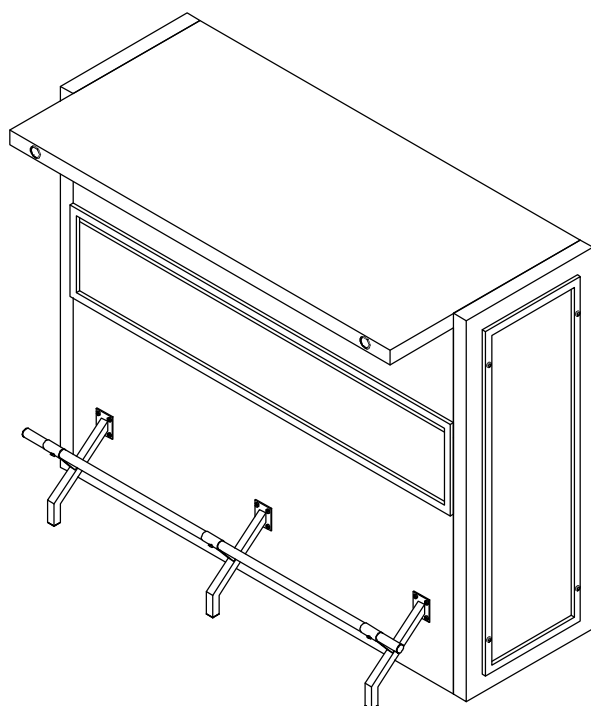


# *ASSEMBLY INSTRUCTIONS*



*TBA*  
*RUNI*

# ASSEMBLY INSTRUCTIONS

## ASSEMBLY TIPS:

1. Remove hardware from box and sort by size.
2. Please check to see that all hardware and parts are present prior to start of assembly.
3. Please follow attached instructions in the same sequence as numbered to assure fast & easy assembly.



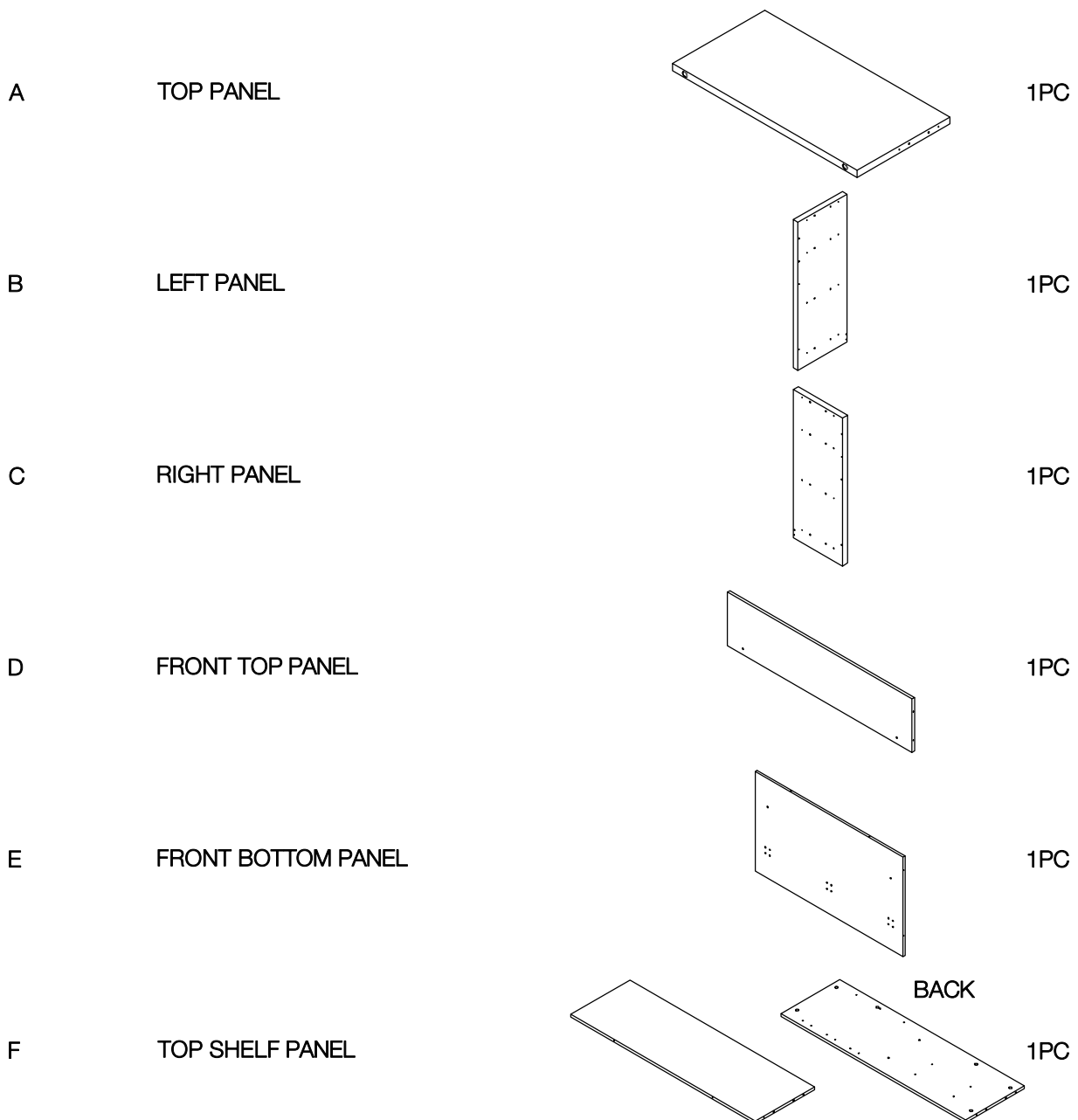
## WARNING!

1. Don't attempt to repair or modify parts that are broken or defective. Please contact the store immediately.
2. This product is for home use only and not intended for commercial establishments.



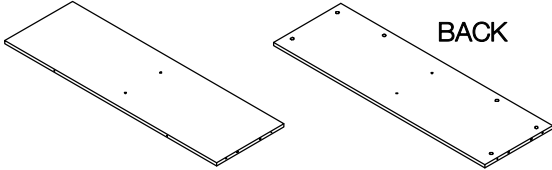
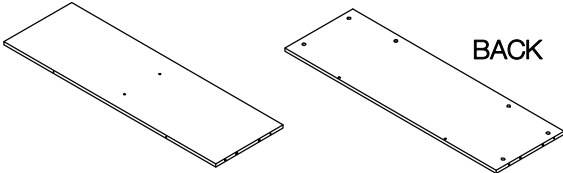
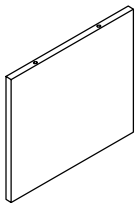
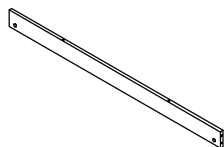

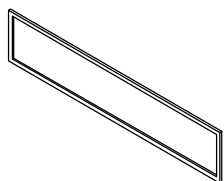
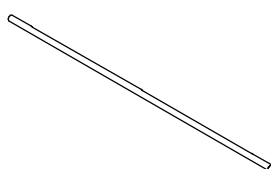
ASSEMBLY TIME 95 MINUTES

## PARTS IDENTIFICATION



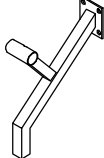
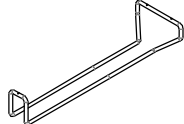
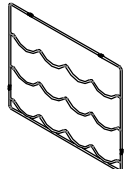

# ASSEMBLY INSTRUCTIONS

## PARTS IDENTIFICATION

G	MIDDLE SHELF PANEL		1PC
H	BOTTOM SHELF PANEL		1PC
I	SUPPORT PANEL		2PCS
J	LEG PANEL		1PC
K	LEFT AND RIGHT FRAME		2PCS
L	FRONT FRAME		1PC
M	FOOT REST BAR		1PC

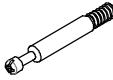








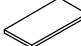







# ASSEMBLY INSTRUCTIONS

## HARDWARE IDENTIFICATION

N	BOTTOM LEG SUPPORT		3PCS
O	GLASS HOLDER		3PCS
P	BOTTLE RACK		2PCS
Q	BOTTLE RACK METAL		2PCS

# ASSEMBLY INSTRUCTIONS

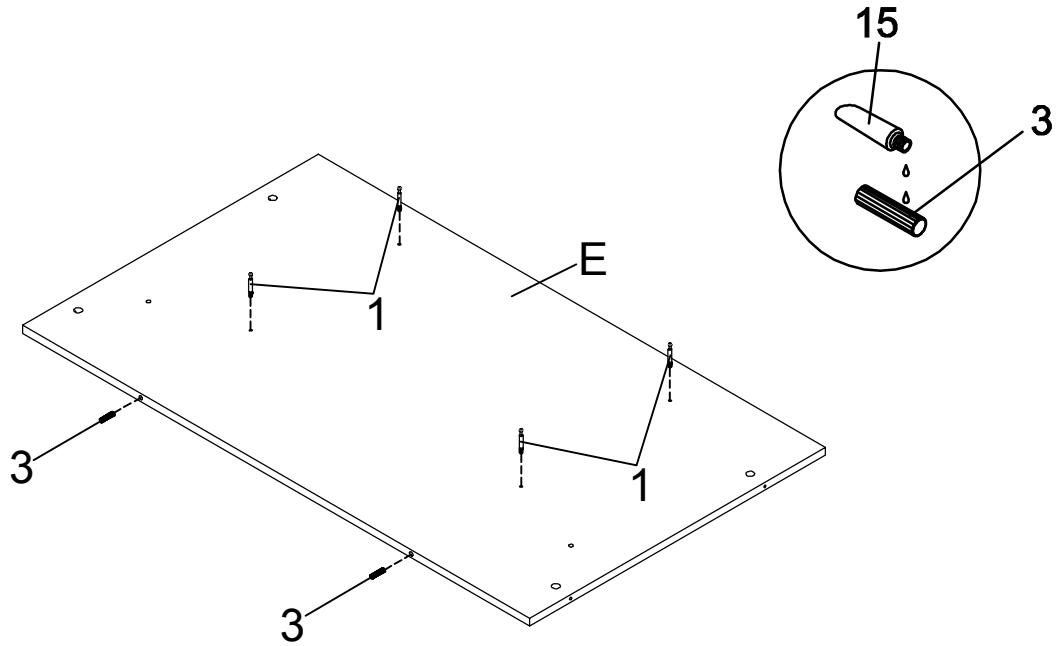
## HARDWARE IDENTIFICATION

1	CAM-BOLT (45mm)		32PCS	10	SCREW (8# x 12mm)		13PCS
2	LARGE CAM-LOCK ( $\phi$ 15mm)		32PCS	11	ROUND CAP ( $\phi$ 21mm BLK)		2PCS
3	WOOD DOWEL ( $\phi$ 8 x 30mm)		26PCS	12	CAP (20 x 20mm BLK)		3PCS
4	LONG WOOD DOWEL ( $\phi$ 8 x 50mm)		2PCS	13	COVER ( $\phi$ 11mm)		8PCS
5	SHORT BOLT (1/4" x 12mm)		15PCS	14	ADHESIVE		4PCS
6	LONG BOLT (1/4" x 22mm)		8PCS	15	GLUE		1PC
7	FRONT FRAME BOLT (1/4" x 22mm)		4PCS	16	ALLEN WRENCH (4mm)		1PC
8	BOTTLE RACK BOLT (3/16" x 12mm)		4PCS	17	HEXAGONAL KEY (3/16")		1PC
9	NUT (3/16")		4PCS				

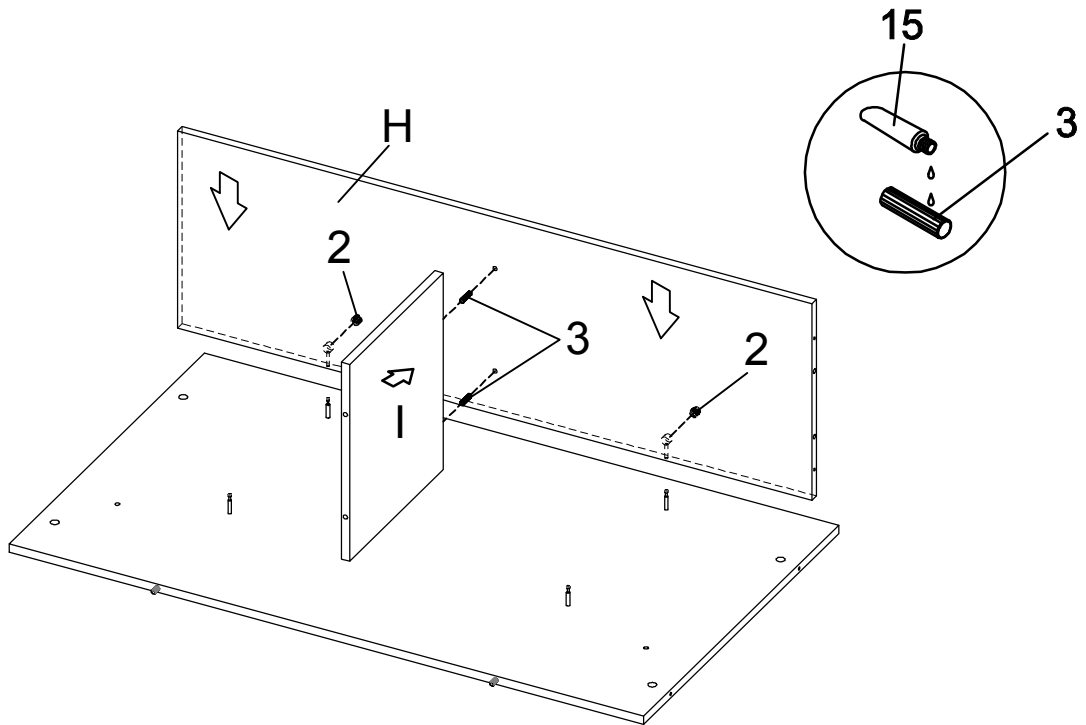
# ASSEMBLY INSTRUCTIONS

## STEP 1

Do not tighten until each step is completed or instructed.

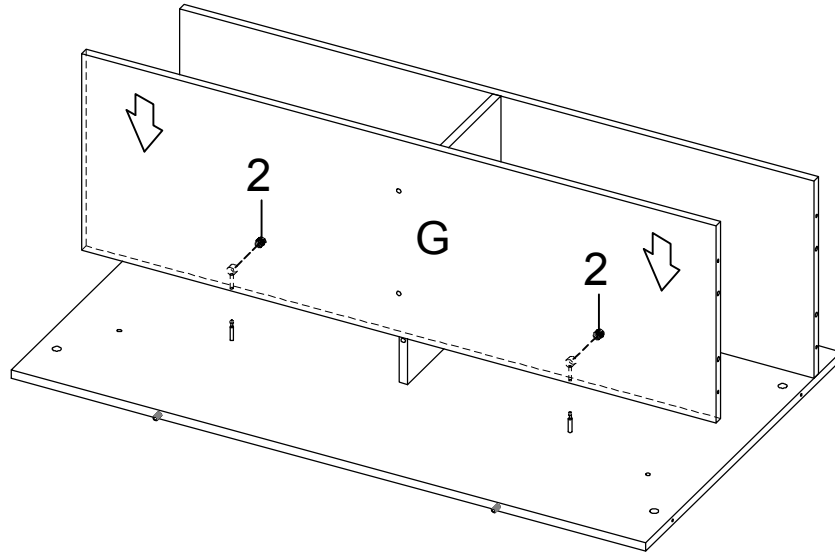


## STEP 2

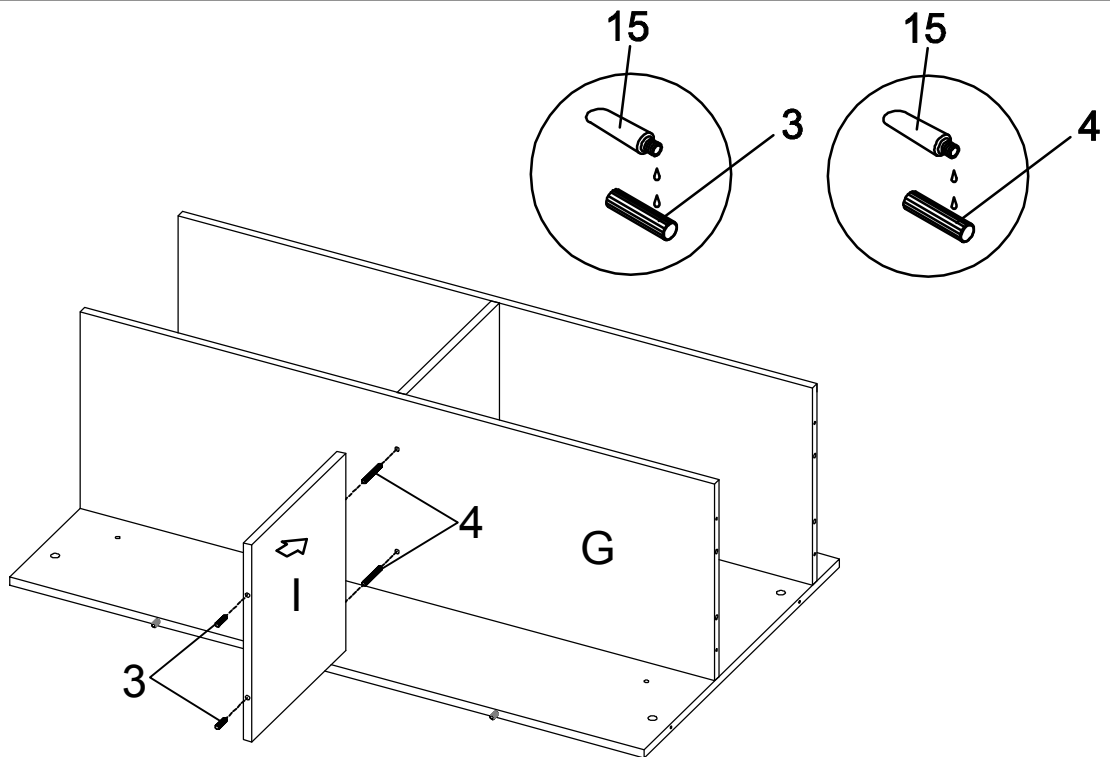


# ASSEMBLY INSTRUCTIONS

## STEP 3

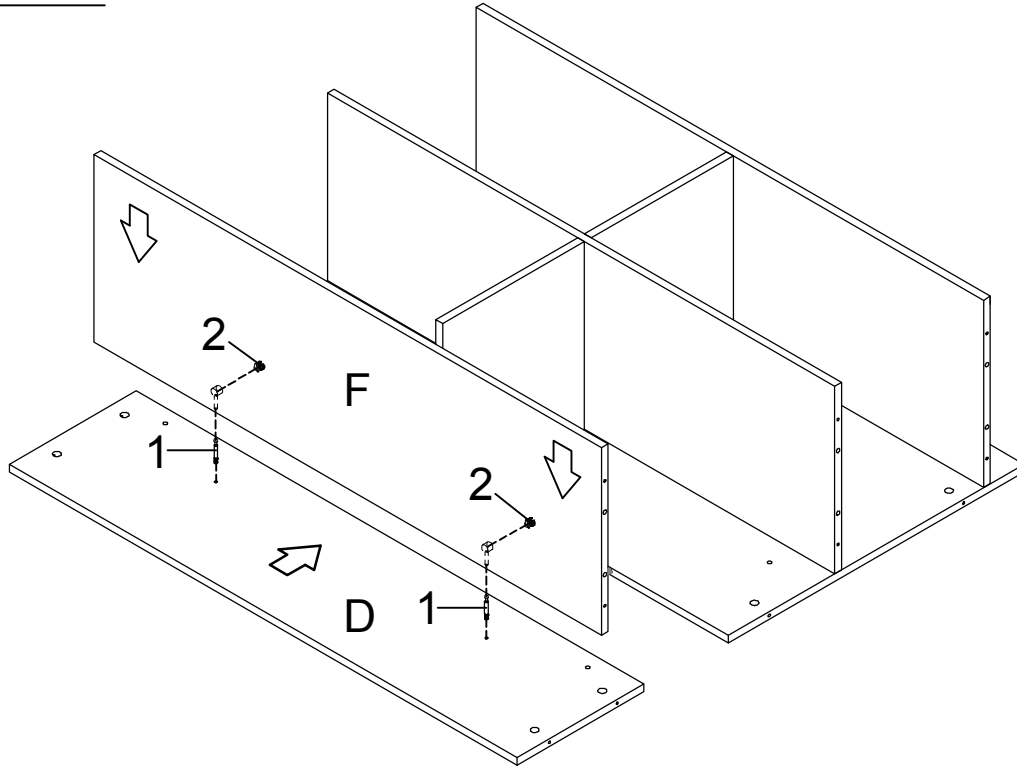


## STEP 4

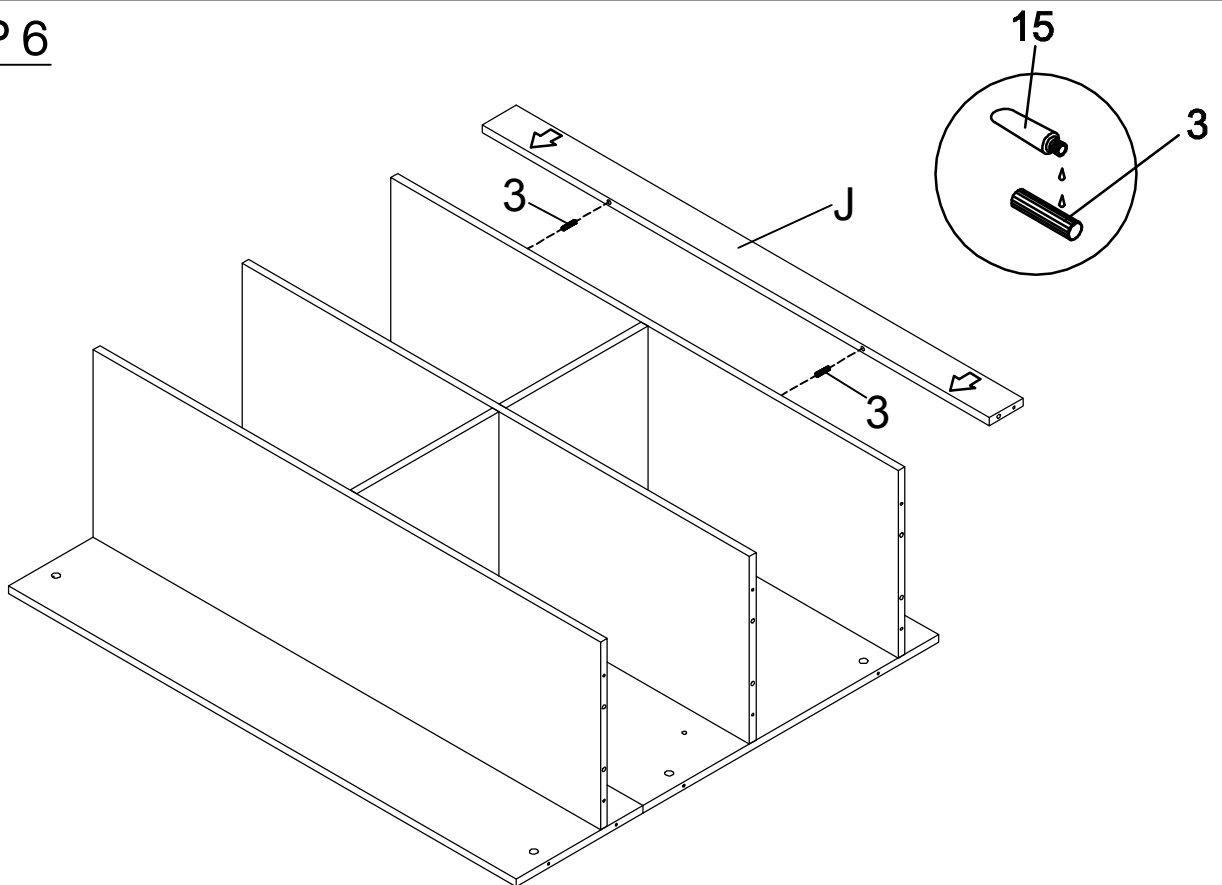


# ASSEMBLY INSTRUCTIONS

## STEP 5

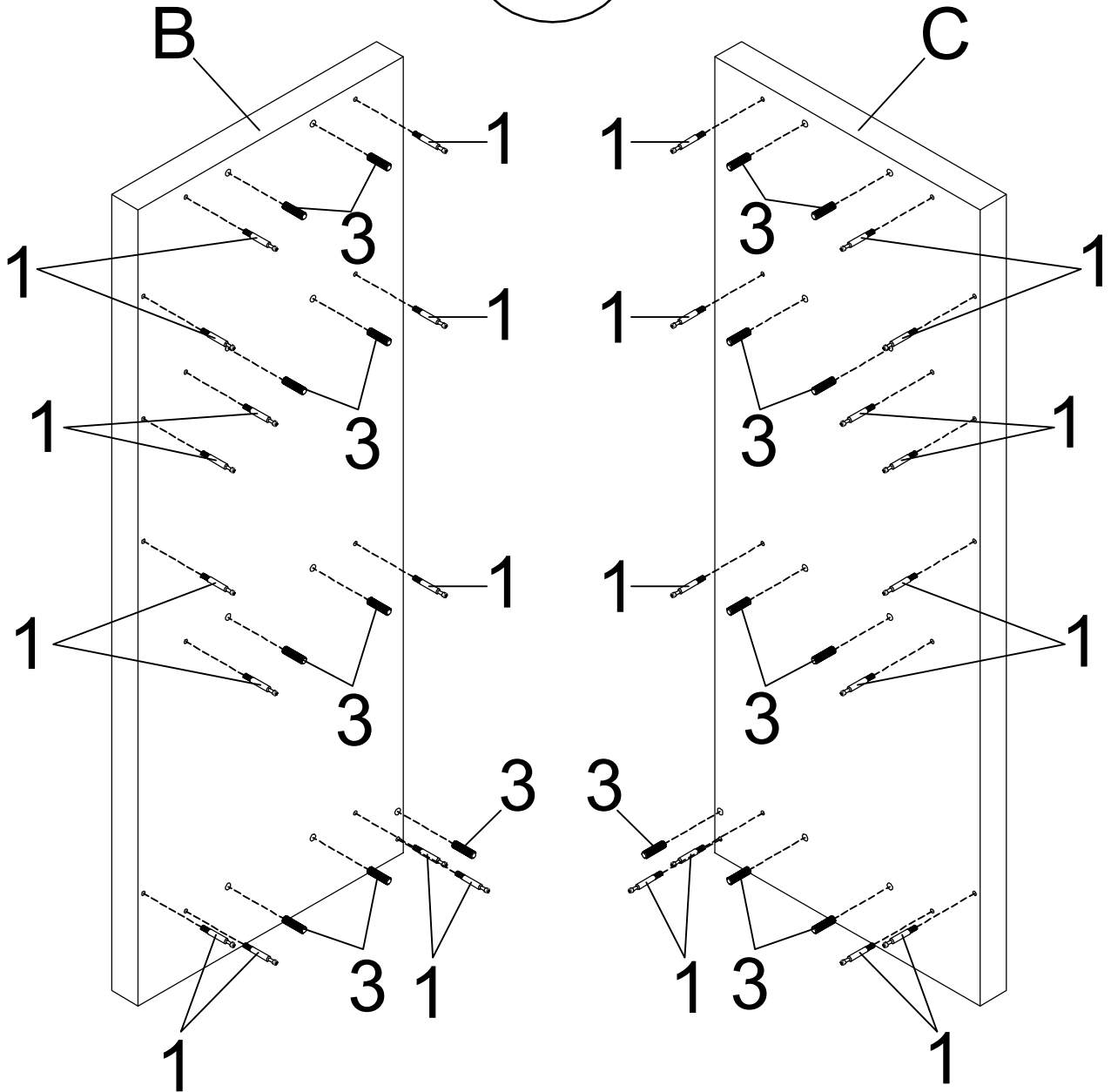
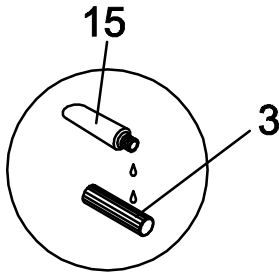


## STEP 6



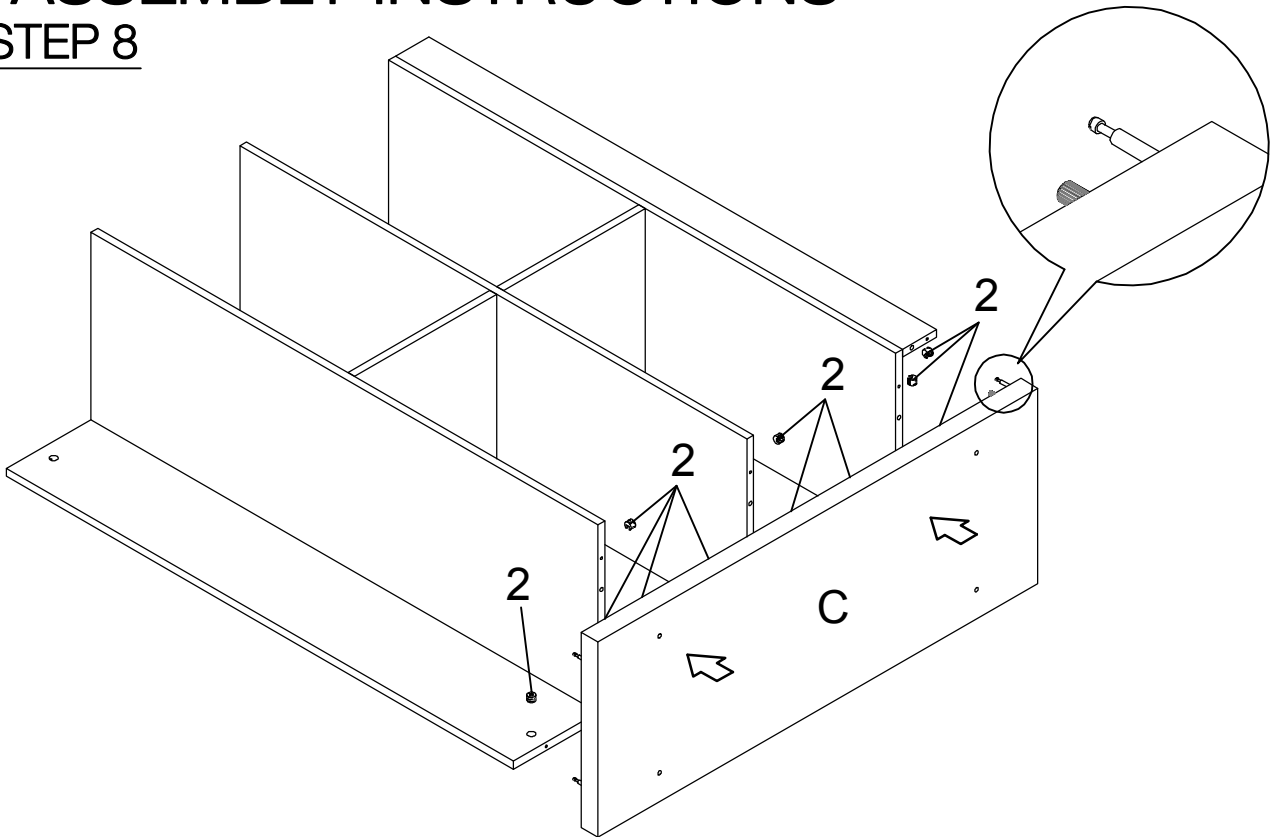
# ASSEMBLY INSTRUCTIONS

STEP 7

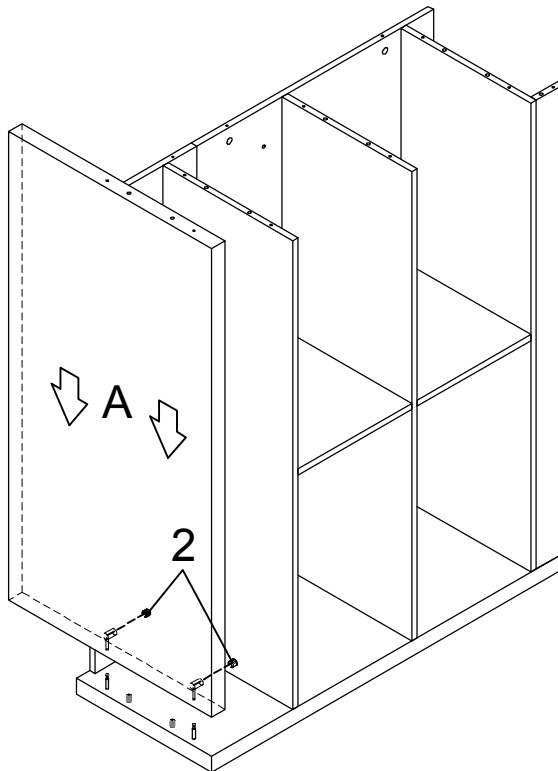


# ASSEMBLY INSTRUCTIONS

## STEP 8

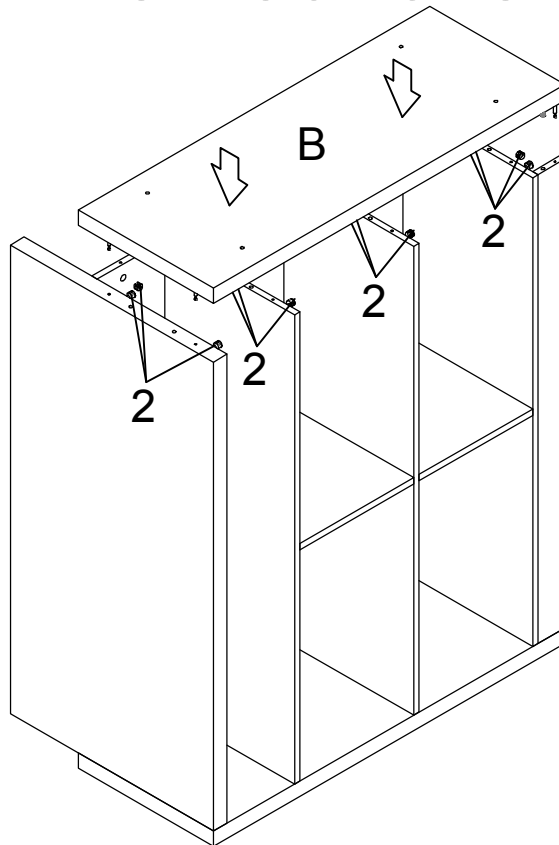


## STEP 9

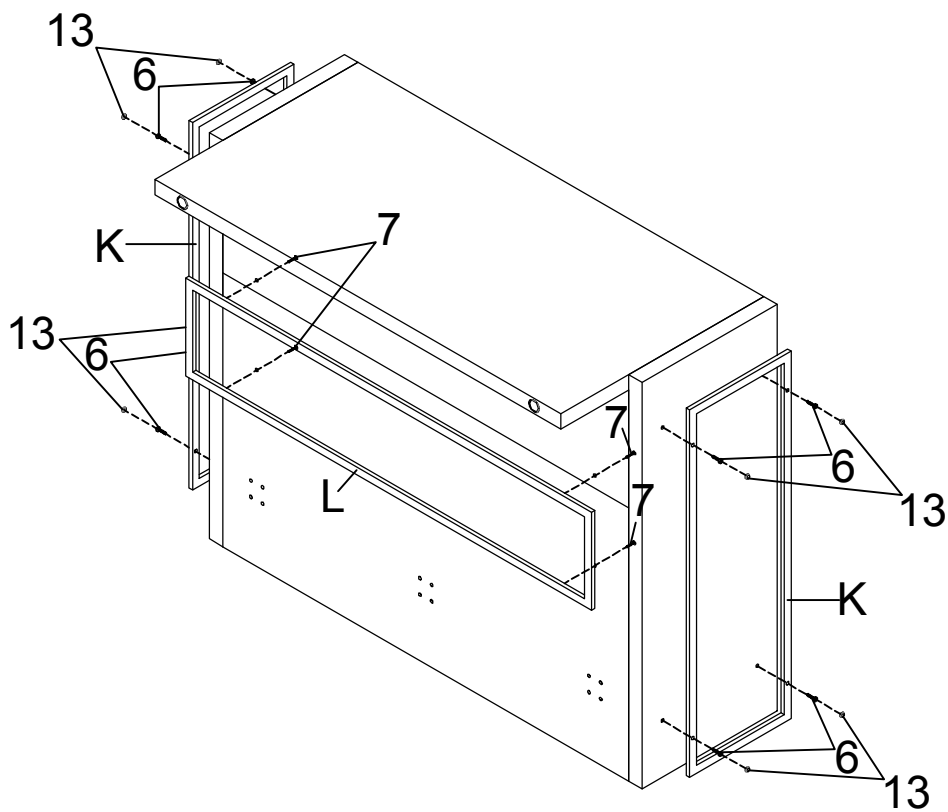


# ASSEMBLY INSTRUCTIONS

## STEP 10

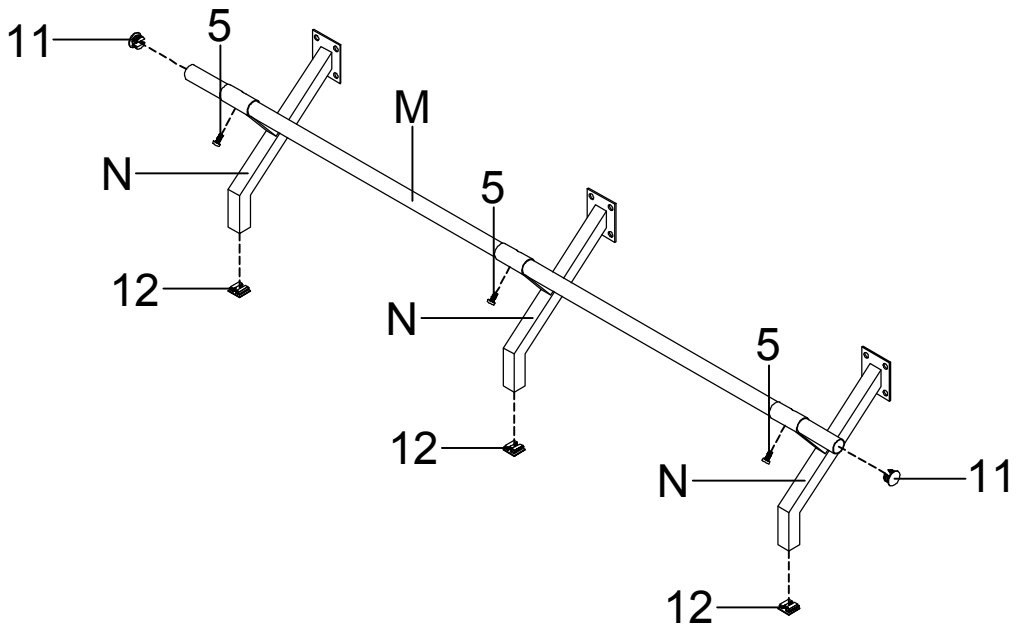


## STEP 11

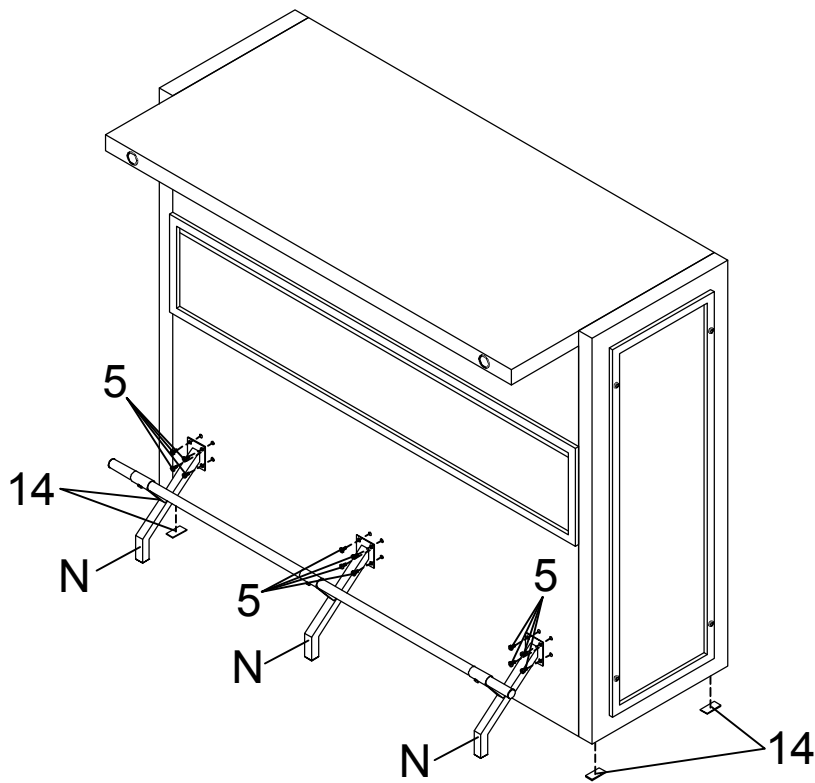


# ASSEMBLY INSTRUCTIONS

## STEP 12

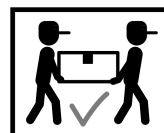
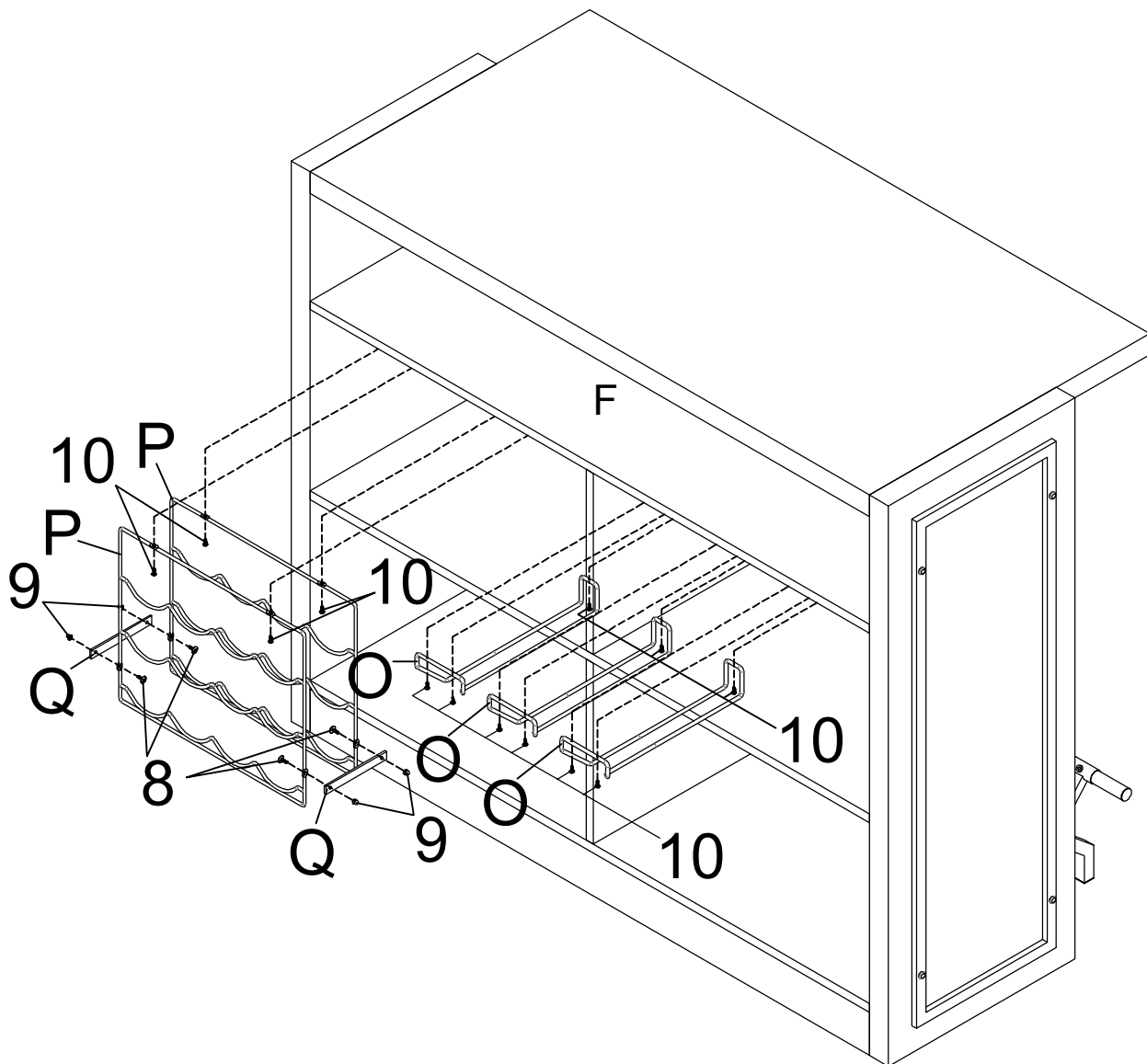


## STEP 13



# ASSEMBLY INSTRUCTIONS

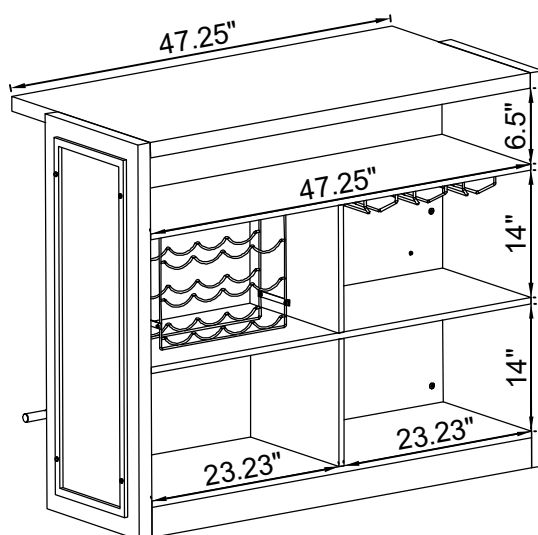
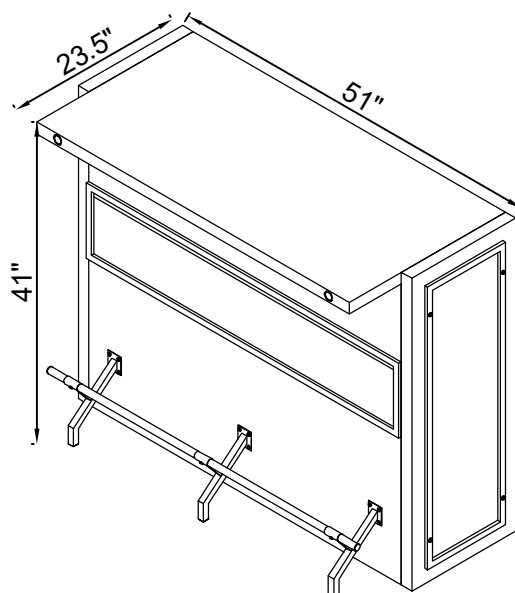
## STEP 14



# ASSEMBLY INSTRUCTIONS

Product Size : 1295 X 597 X 1041 H (MM)

Product Size : 51" X 23 1/2" X 41"



Note : Dimension tolerance  $\pm 5\%$