

ASSEMBLY INSTRUCTIONS

ITEM. : 7517VB37

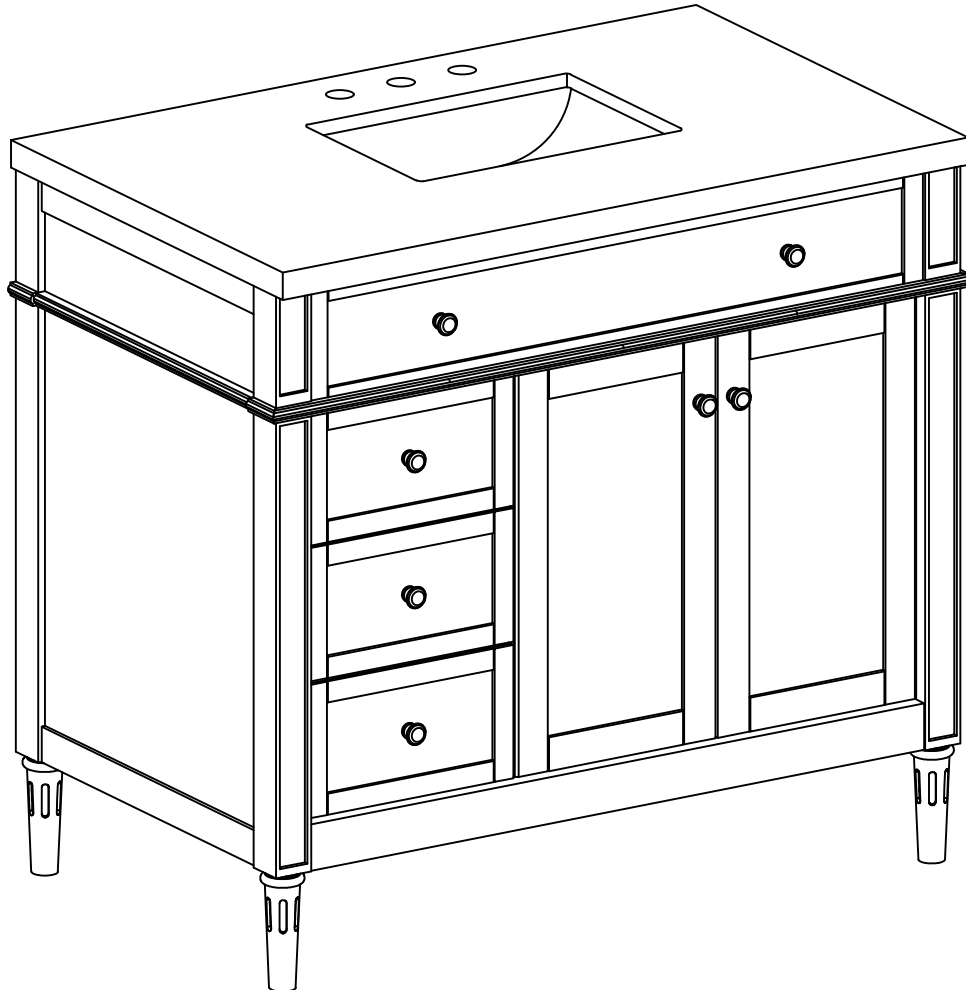
DESCRIPTION : 36" VANITY BASE

IMPORTANT NOTE

****PLACE ALL PARTS ON A CLEAN AND SMOOTH SURFACE SUCH AS A RUG OR CARPET TO AVOID THE PARTS FROM BEING SCRATCHED**

****BEFORE YOU BEGIN, KINDLY FOLLOW THE ASSEMBLY INSTRUCTIONS STEP BY STEP**

****DO NOT TIGHTEN ALL THUMB SCREWS UNTIL THE CABINET IS FULLY SET-UP**



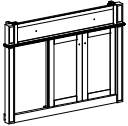

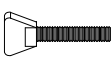


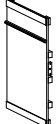


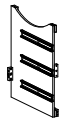

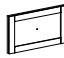
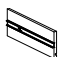
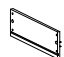


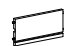

PLEASE DO NOT RETURN PRODUCT TO THE STORE


ASSEMBLY INSTRUCTIONS

ITEM. : 7517VB37

DESCRIPTION : 36" VANITY BASE

CARTONS ONLY ONE / HARDWARE LIST

PART LISTS				HARDWARE LIST			
NO	DESCRIPTION	SKETCH	Q'TY	NO	DESCRIPTION	SKETCH	Q'TY
Ⓐ	Front frame		1 PC	①	Round thumb screw Ø1/4*25mm		8 PCS
				②	Wing thumb screw Ø1/4*30mm		12 PCS
Ⓑ	Back frame		1 PC	③	Handle thumb screw Ø5/32*27mm		7 PCS
Ⓒ	Left side panel		1 PC	④	Knob		7 PCS
Ⓓ	Right side panel		1 PC				
Ⓔ	Divide panel		1 PC				
Ⓕ	Bottom panel		1 PC				
Ⓖ	Drawer Front		3 PCS				
Ⓗ	Left side drawer		3 PCS				
Ⓘ	Right side drawer		3 PCS	Ⓜ	Top Stone		1 PC
Ⓙ	Bottom drawer		3 PCS				
Ⓚ	Drawer Rear Panel		3 PCS				
Ⓛ	Leg		4 PCS				

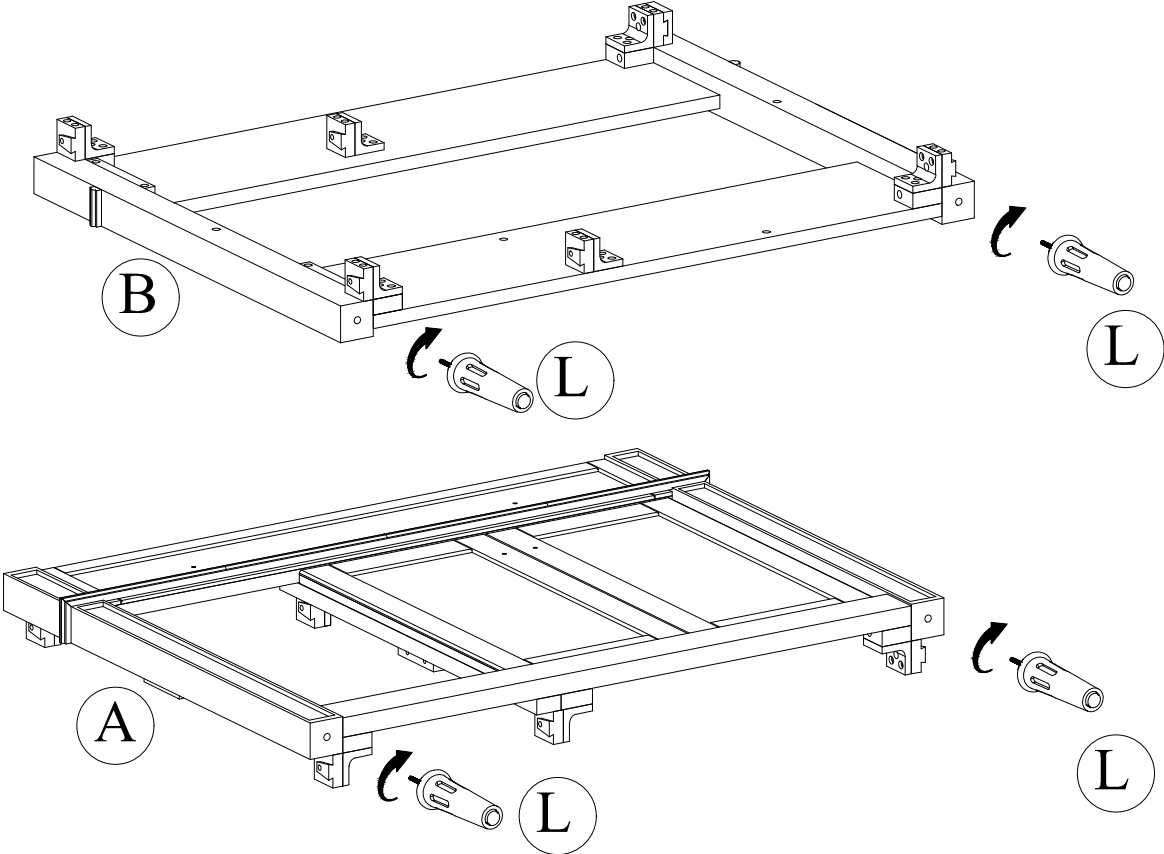
MATERIALS NEEDED (NOT INCLUDED)	
	
Silicone	

ASSEMBLY INSTRUCTIONS

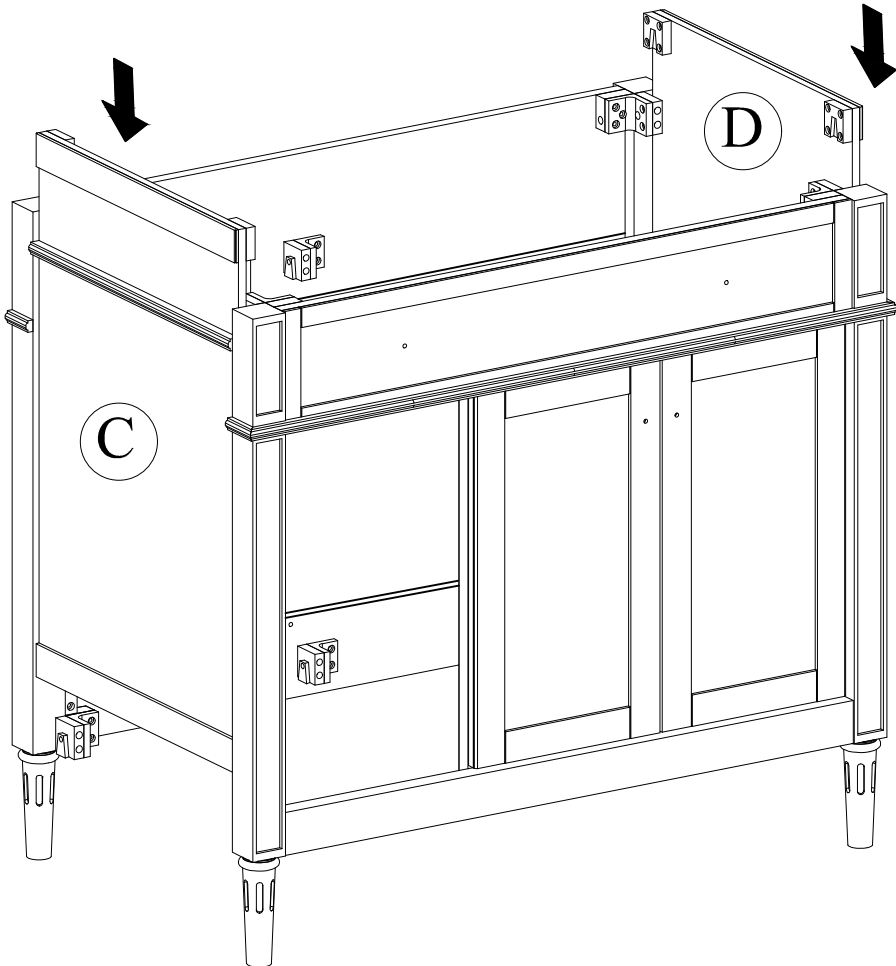
ITEM. : 7517VB37

DESCRIPTION : 36" VANITY BASE

STEP 1



STEP 2

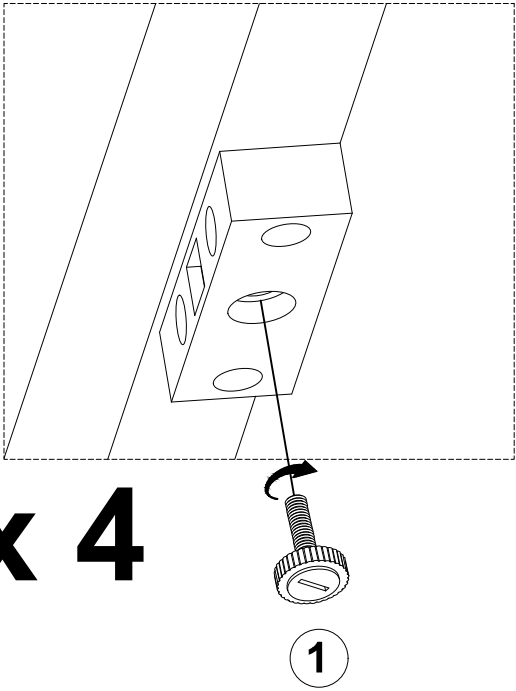
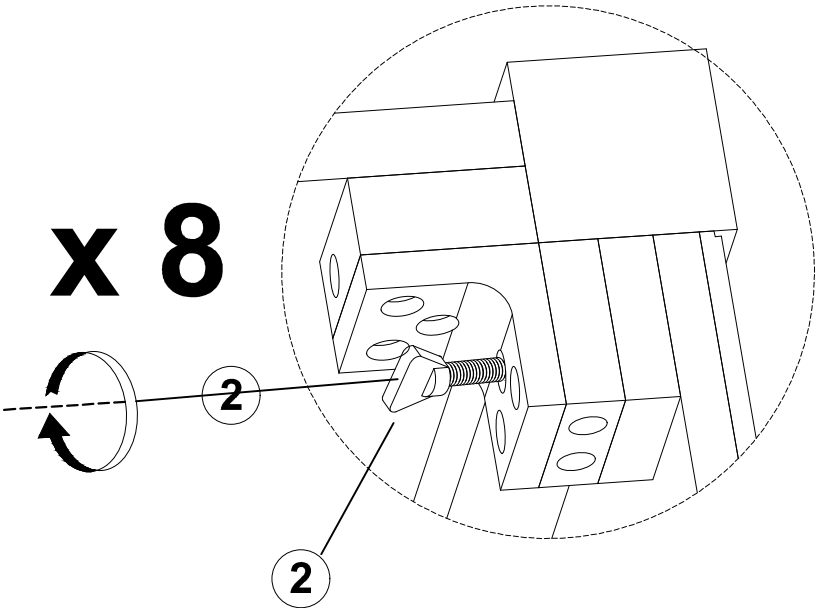
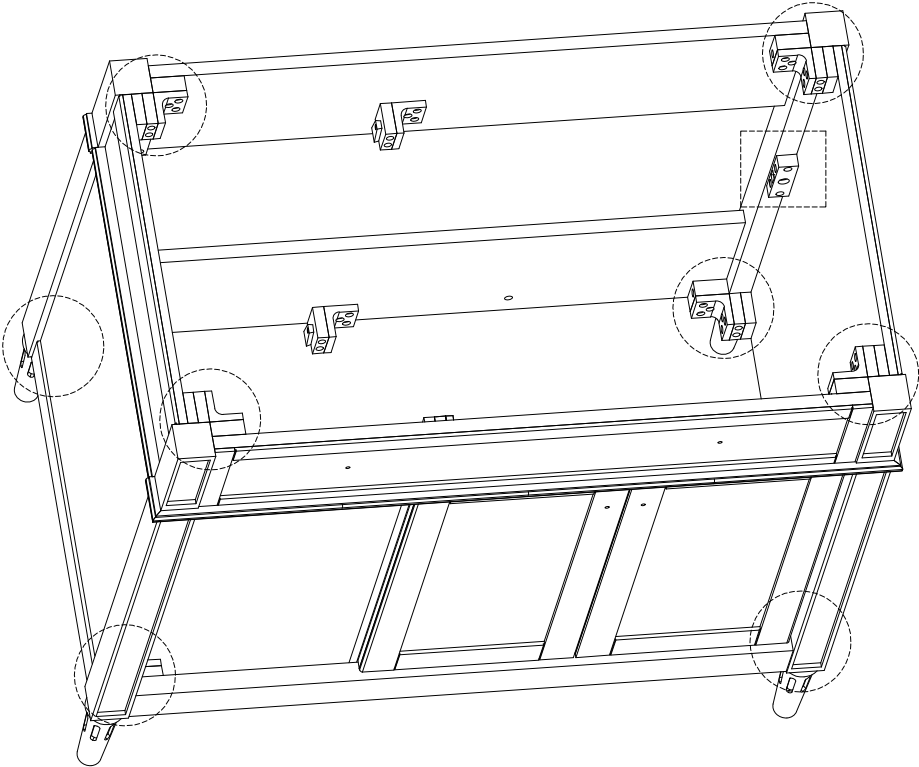


ASSEMBLY INSTRUCTIONS

ITEM. : 7517VB37

DESCRIPTION : 36" VANITY BASE

STEP 3

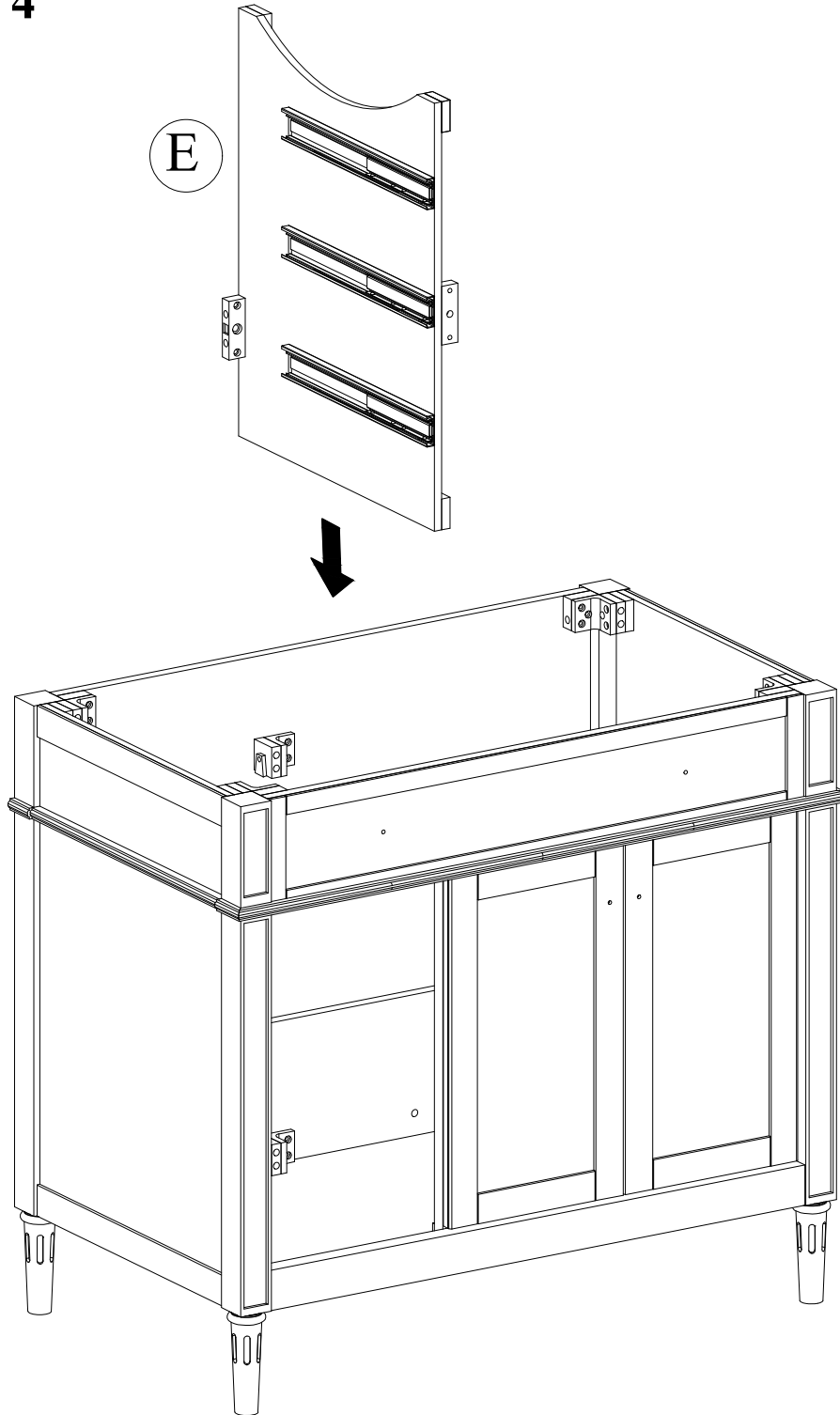


ASSEMBLY INSTRUCTIONS

ITEM. : 7517VB37

DESCRIPTION : 36" VANITY BASE

STEP 4

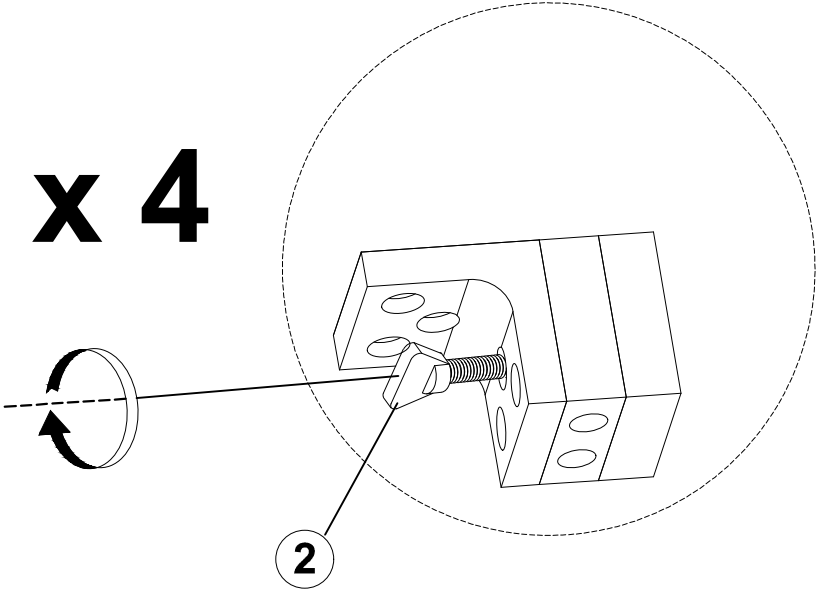
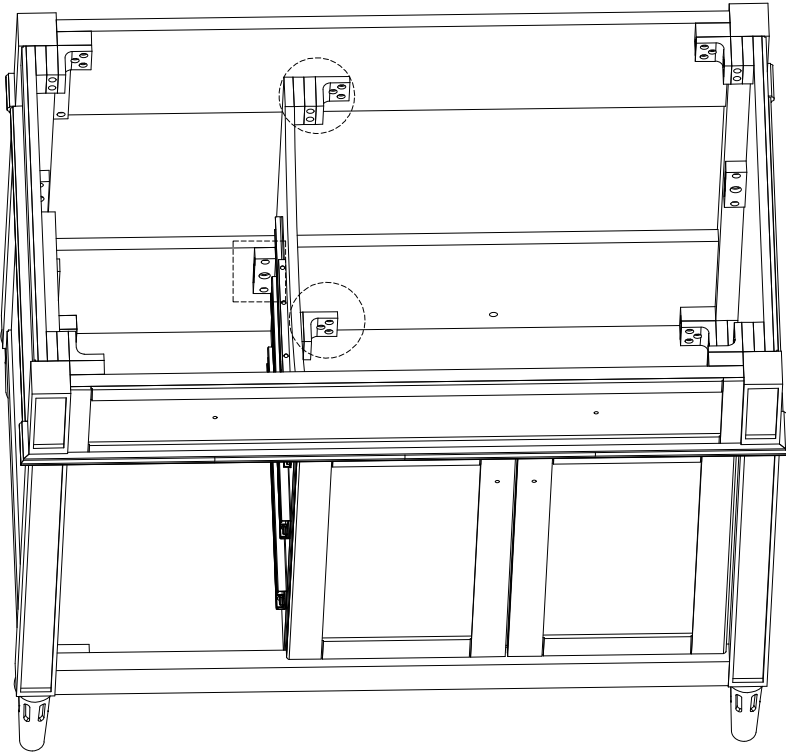


ASSEMBLY INSTRUCTIONS

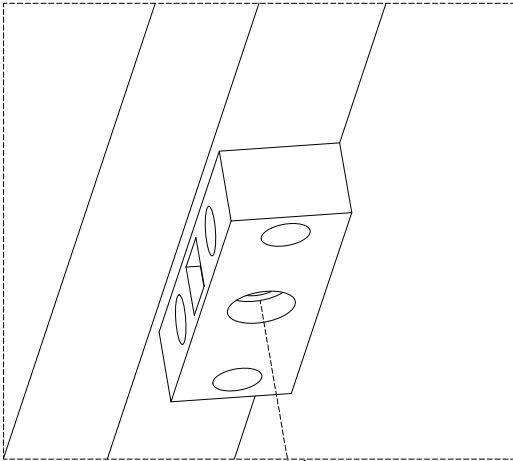
ITEM. : 7517VB37

DESCRIPTION : 36" VANITY BASE

STEP 5



x 4



x 2

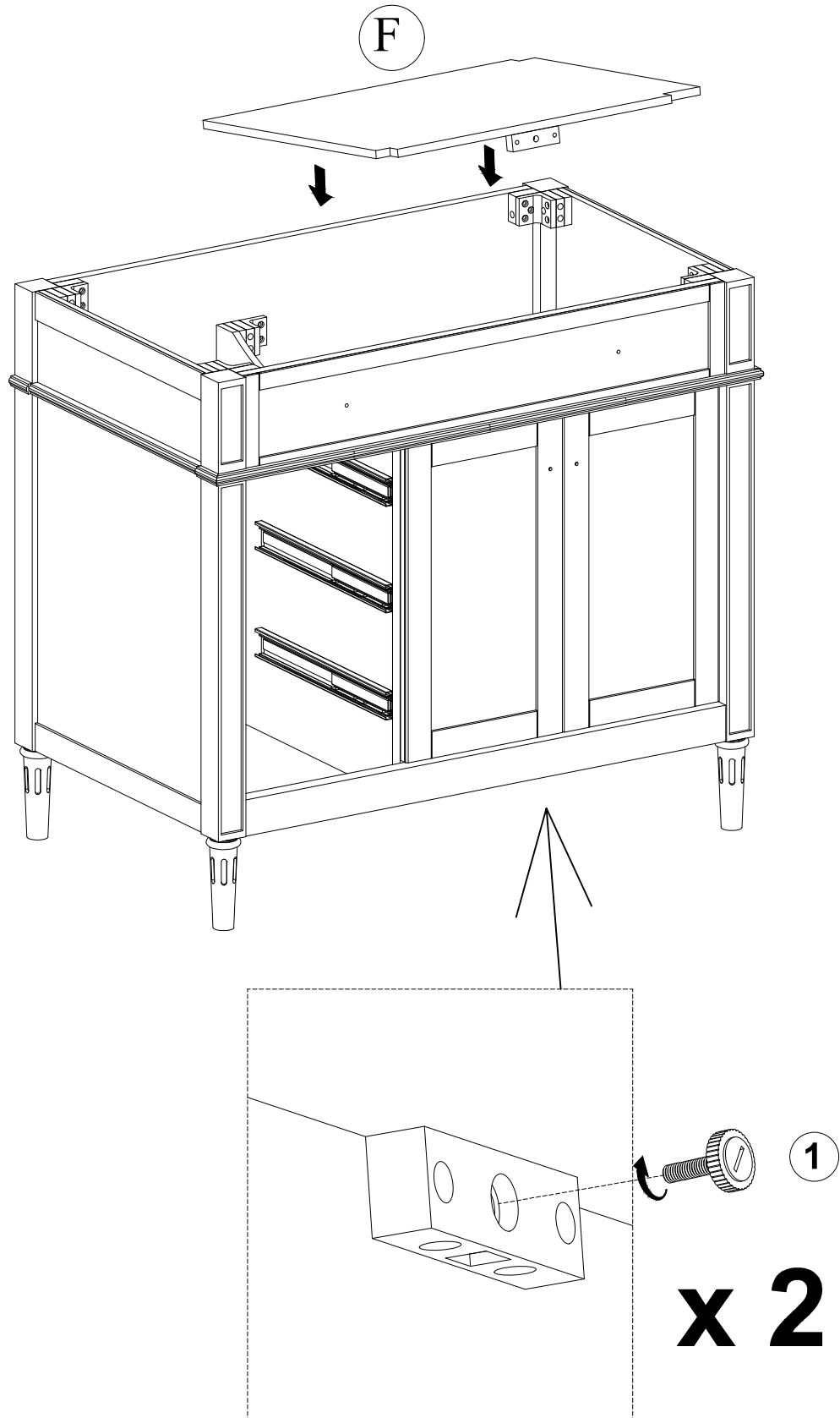
1

ASSEMBLY INSTRUCTIONS

ITEM. : 7517VB37

DESCRIPTION : 36" VANITY BASE

STEP 6

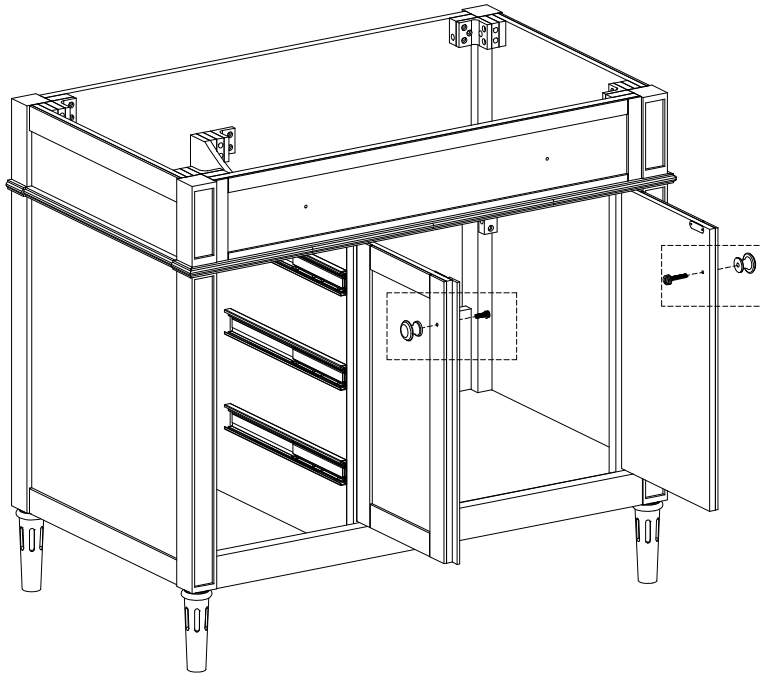


ASSEMBLY INSTRUCTIONS

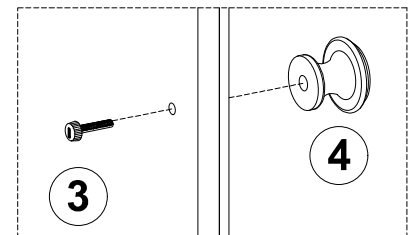
ITEM. : 7517VB37

DESCRIPTION : 36" VANITY BASE

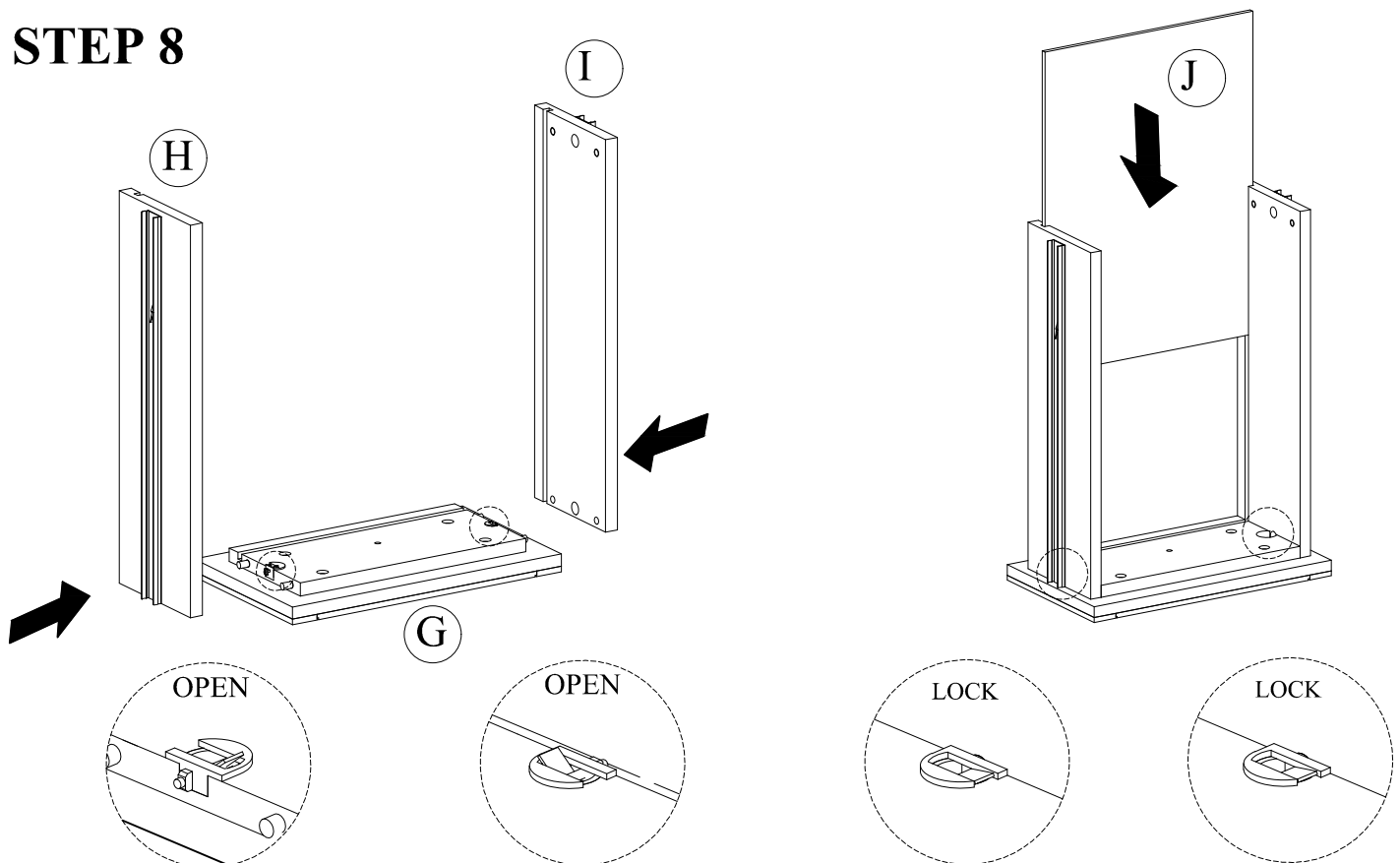
STEP 7



x 2



STEP 8



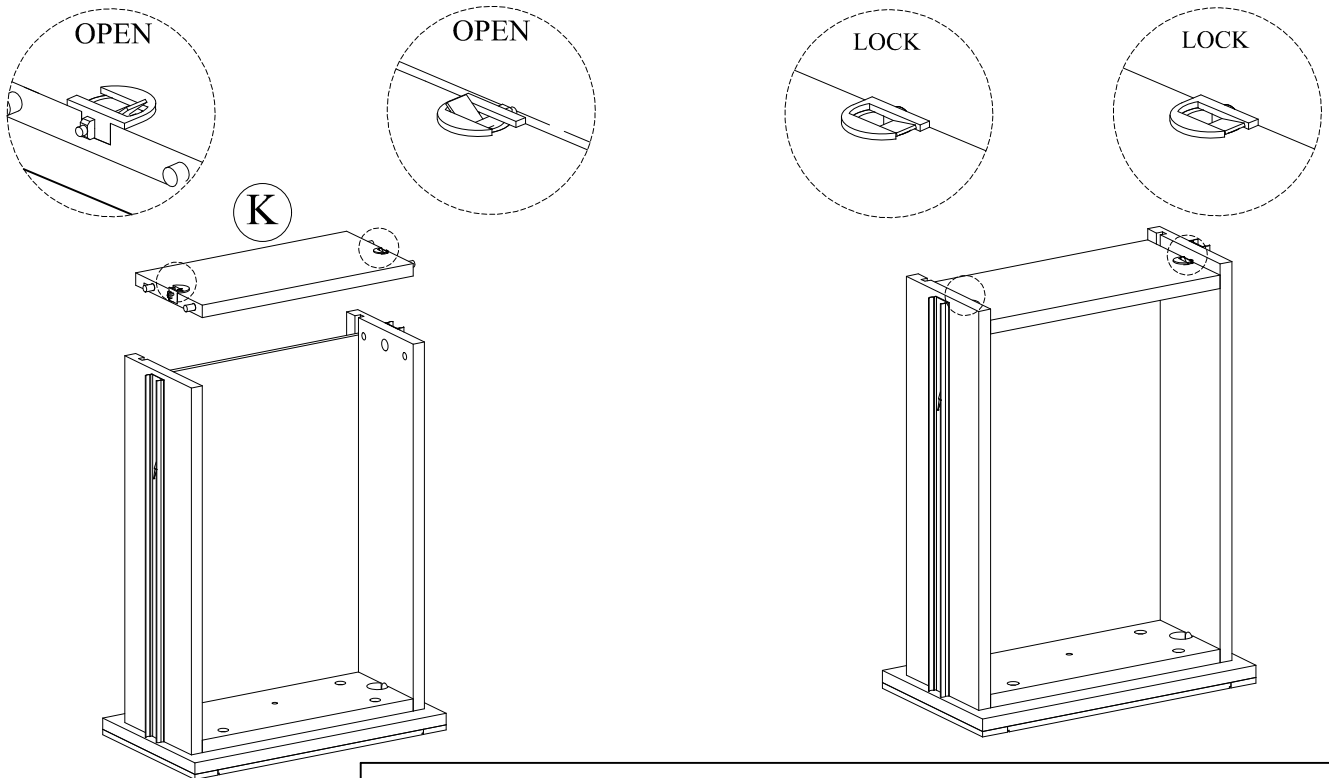
Please repeat step 8 to assemble the other drawers

ASSEMBLY INSTRUCTIONS

ITEM. : 7517VB37

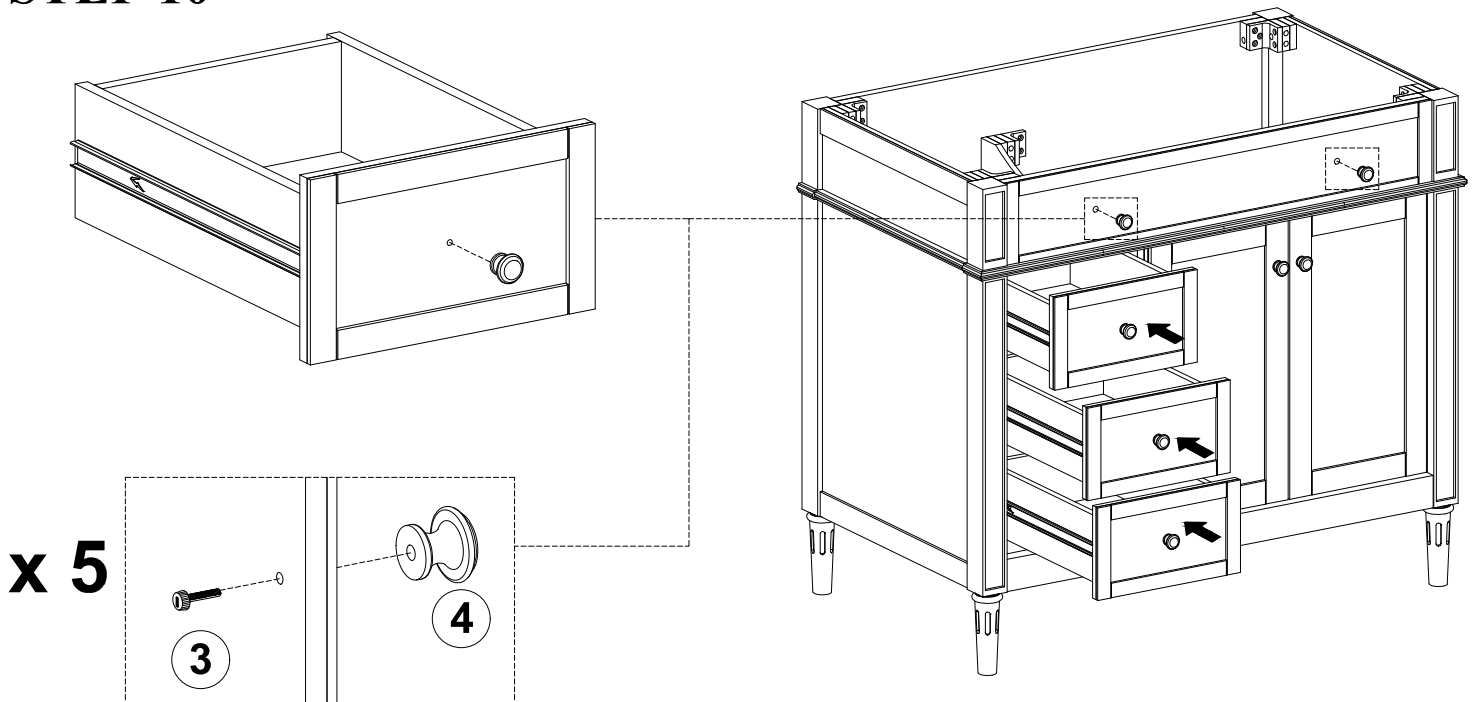
DESCRIPTION : 36" VANITY BASE

STEP 9



Please repeat step 9 to assemble the other drawers

STEP 10



Please repeat step 10 to assemble the other drawers

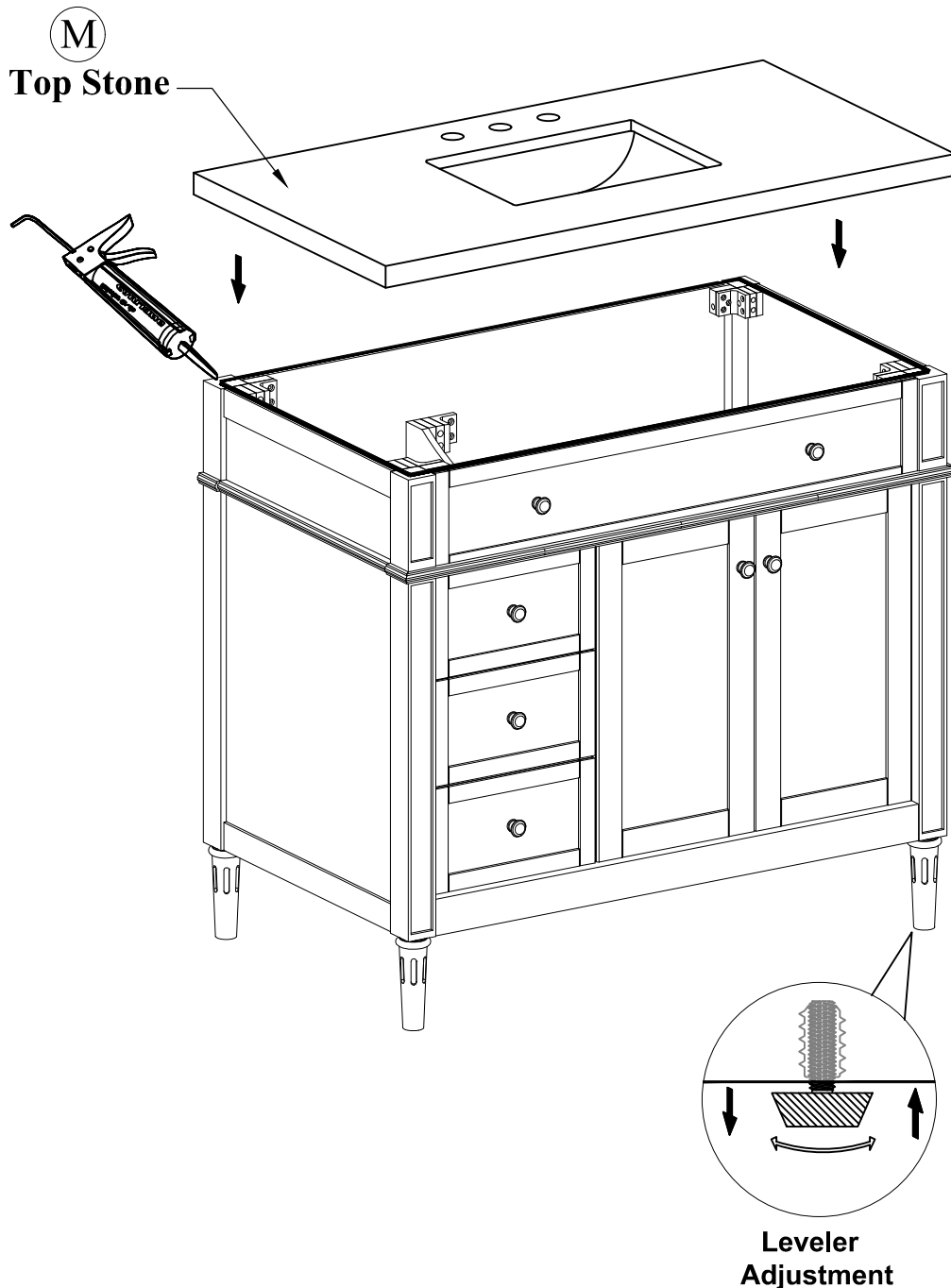
ASSEMBLY INSTRUCTIONS

ITEM. : 7517VB37

DESCRIPTION : 36" VANITY BASE

STEP 11

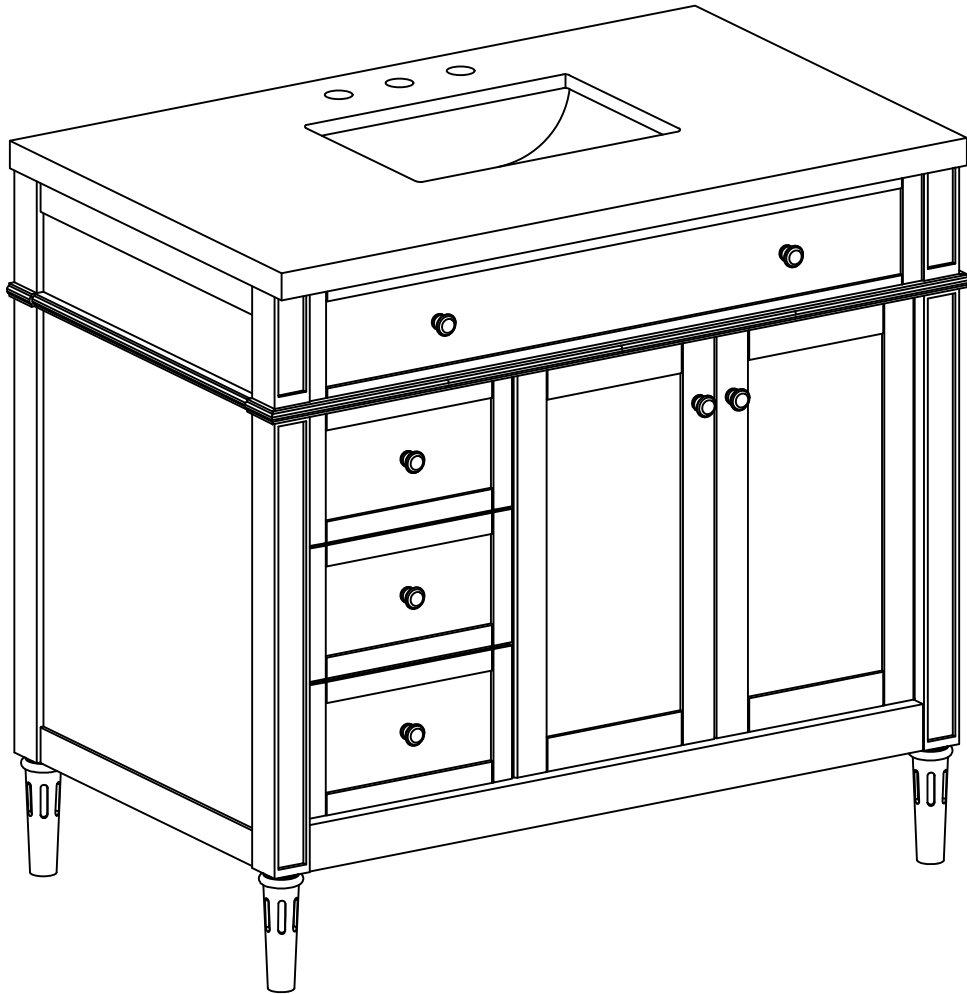
- Set the vanity on top of the vanity base, checking the location of the p-trap and drain.
- Remove the top and install the faucet per manufacturer's installation instructions.
- Hand tighten the pop-up drain with a wrench. Be careful not to over-tighten the pop-up drain, over tightening may cause cracks on the engineered stone top.
- Apply a thin bead of silicone compound around the vanity base and set the vanity top carefully in place. Remove any excess silicone compound with a wet rag.
- Install the faucet water lines and P-trap according to manufacturer's installation instructions



ASSEMBLY INSTRUCTIONS

ITEM. : 7517VB37

DESCRIPTION : 36" VANITY BASE



COMPLETED