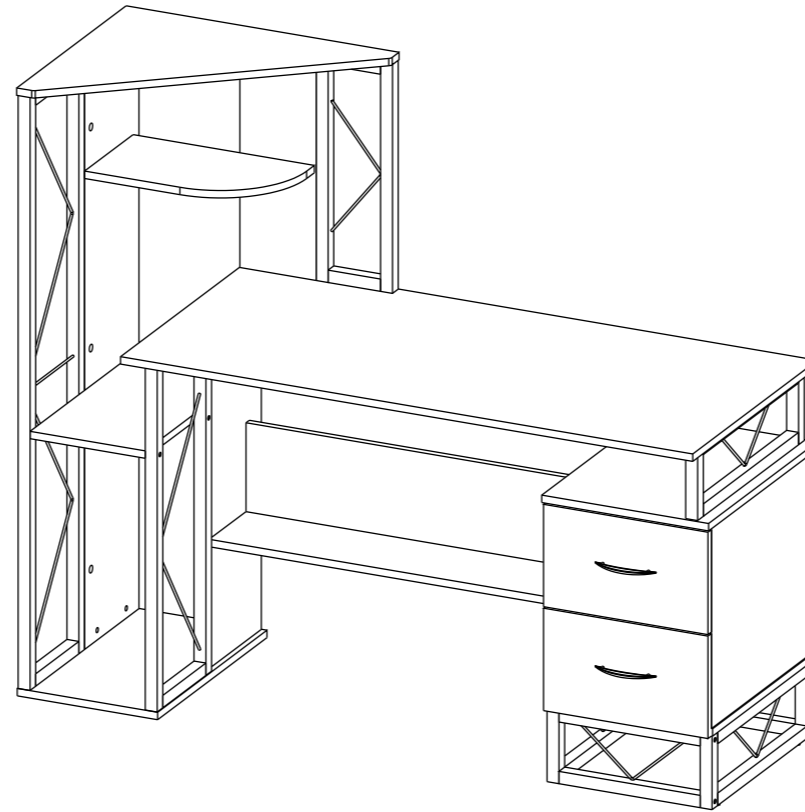
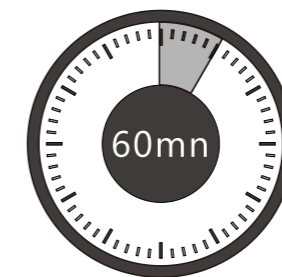


Multifunctional Computer Desk



Thanks for purchasing one of our products, please read carefully the assembly instructions before the installation (Attention: Do not tighten the screws before all screws are in place).
THIS INSTRUCTION BOOKLET CONTAINS IMPORTANT SAFETY INFORMATION. PLEASE READ AND KEEP FOR FUTURE REFERENCE.

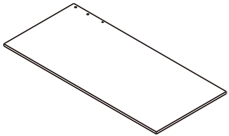
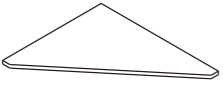
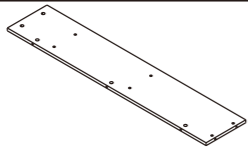
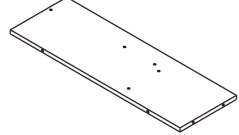
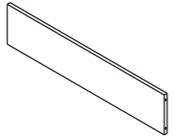
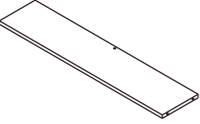
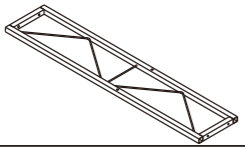
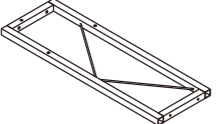
If for any reason there is anything missing damaged, incorrect or different from what you expected.
PLEASE contact us for free replacement instead of hassle of return or other trouble.

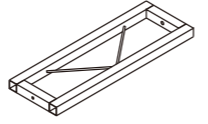
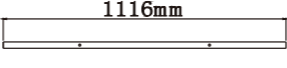
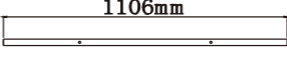
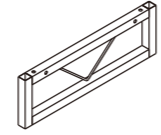
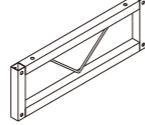
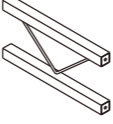
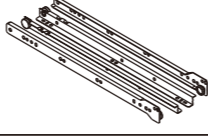


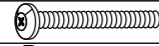
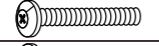
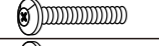
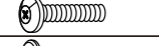
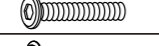
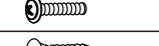
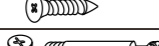

TWO PEOPLE ARE NECESSARY FOR THE ASSEMBLY OF THIS PRODUCT.

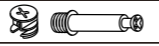



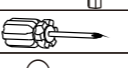


PACKING DETAILS: TOTAL 2 BOXES

BOX 1/2:

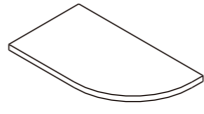
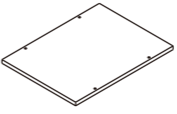
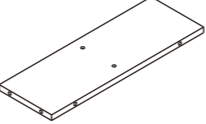
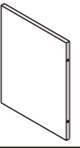
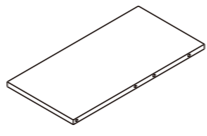
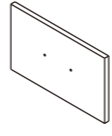
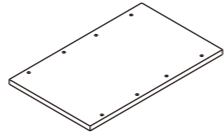
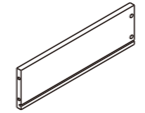
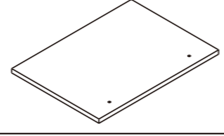
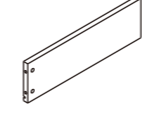
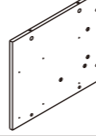
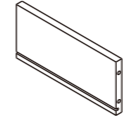
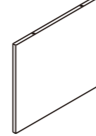
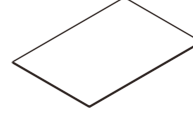
PART NO.	PARTS	QTY
①		X1
②		X1
④		X1
⑤		X1
⑨		X1
⑩		X1
⑳		X1
㉒		X1

PART NO.	PARTS	QTY
㉓		X1
㉔		X1
㉕		X1
㉖		X1
㉗		X2
㉘		X2
㉙		2sets

PART NO	QTY.	PARTS
A	4	M6x50mm 
B	19	M6x40mm 
C	20	M6x35mm 
D	8	M6x25mm 
E	6	M6x35mm 
F	4	M4x18mm 
G	24	M3.5x14mm 
H	21	M6x40mm 

PART NO	QTY.	PARTS
I	7	M6x35mm 
J	16	M6x25mm 
K	8	M6x10xH7mm 
L	2	
M	1	M4 
N	1	Ø5X54mm 
O	67	Ø21 

BOX 2/2:

PART NO.	PARTS	QTY	PART NO.	PARTS	QTY
3		X1	14		X1
6		X1	15		X1
7		X1	16		X2
8		X1	17		X2
11		X1	18		X2
12		X1	19		X2
13		X1	20		X2

Installation of Cams and Pins :

Screw the Pin into hole. To set Cams correctly, ensure the arrow on the Cam opening to the hole of the Pin it is locking. Lock Cam by turning Cam head with screwdriver to be tighten. Please don't use an electric screwdriver to assemble the unit.

