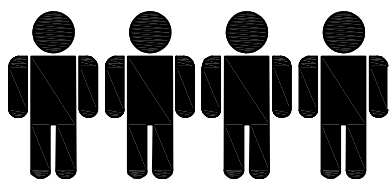
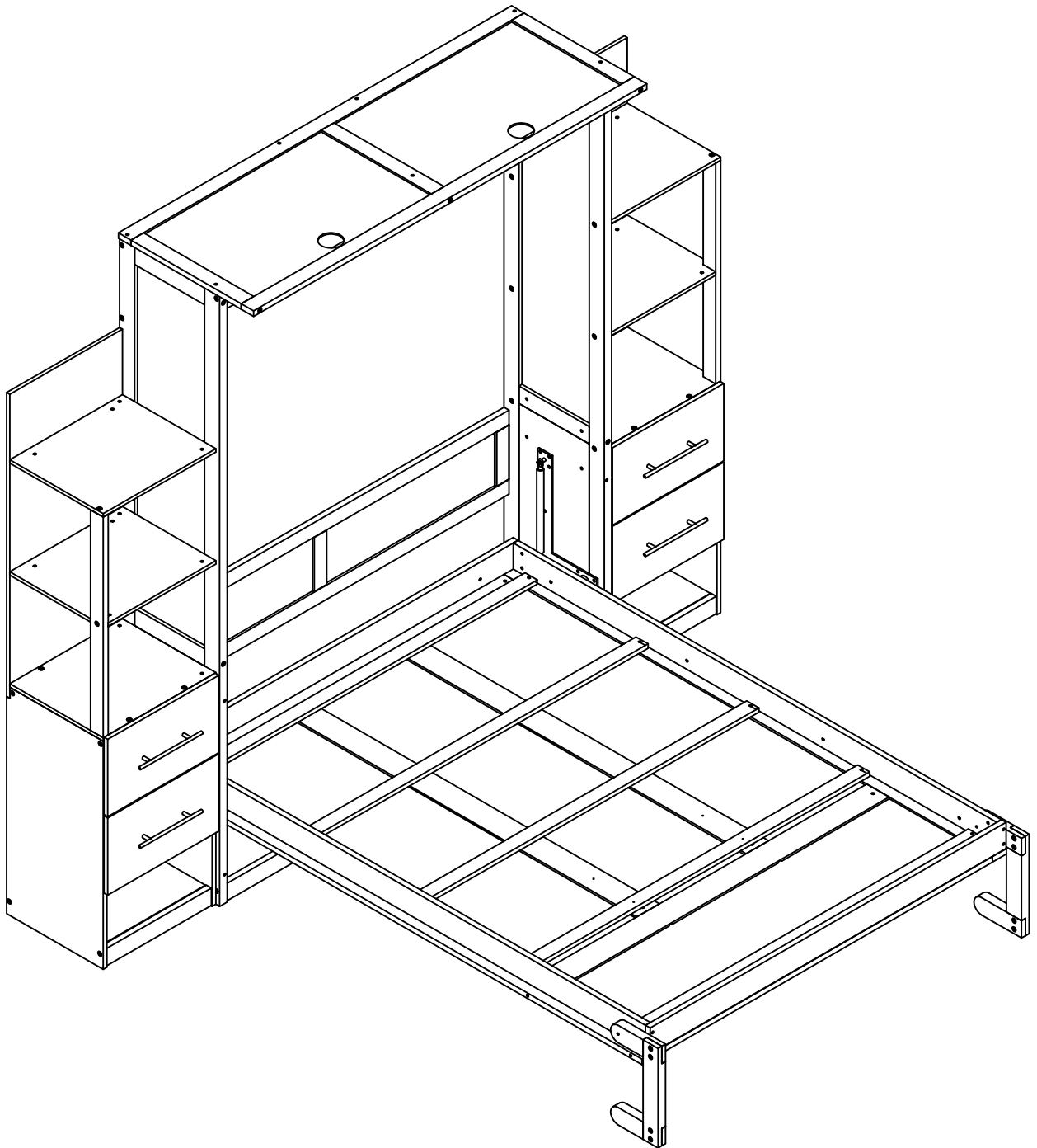
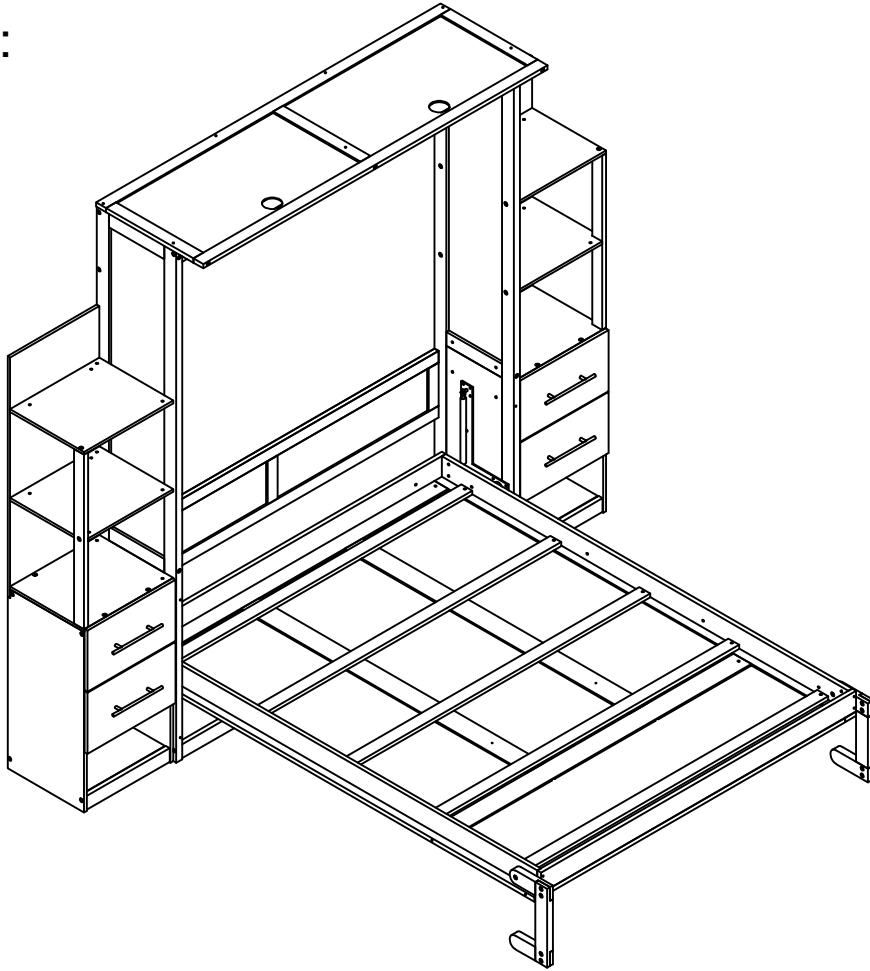


# ASSEMBLY INSTRUCTION

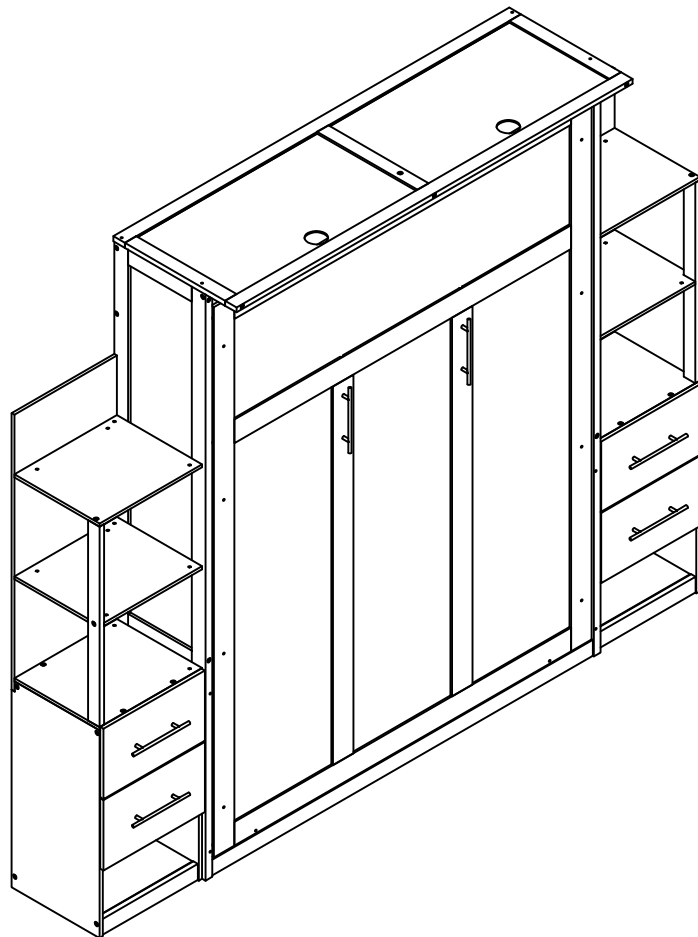


Four people are required to assemble and move this model.

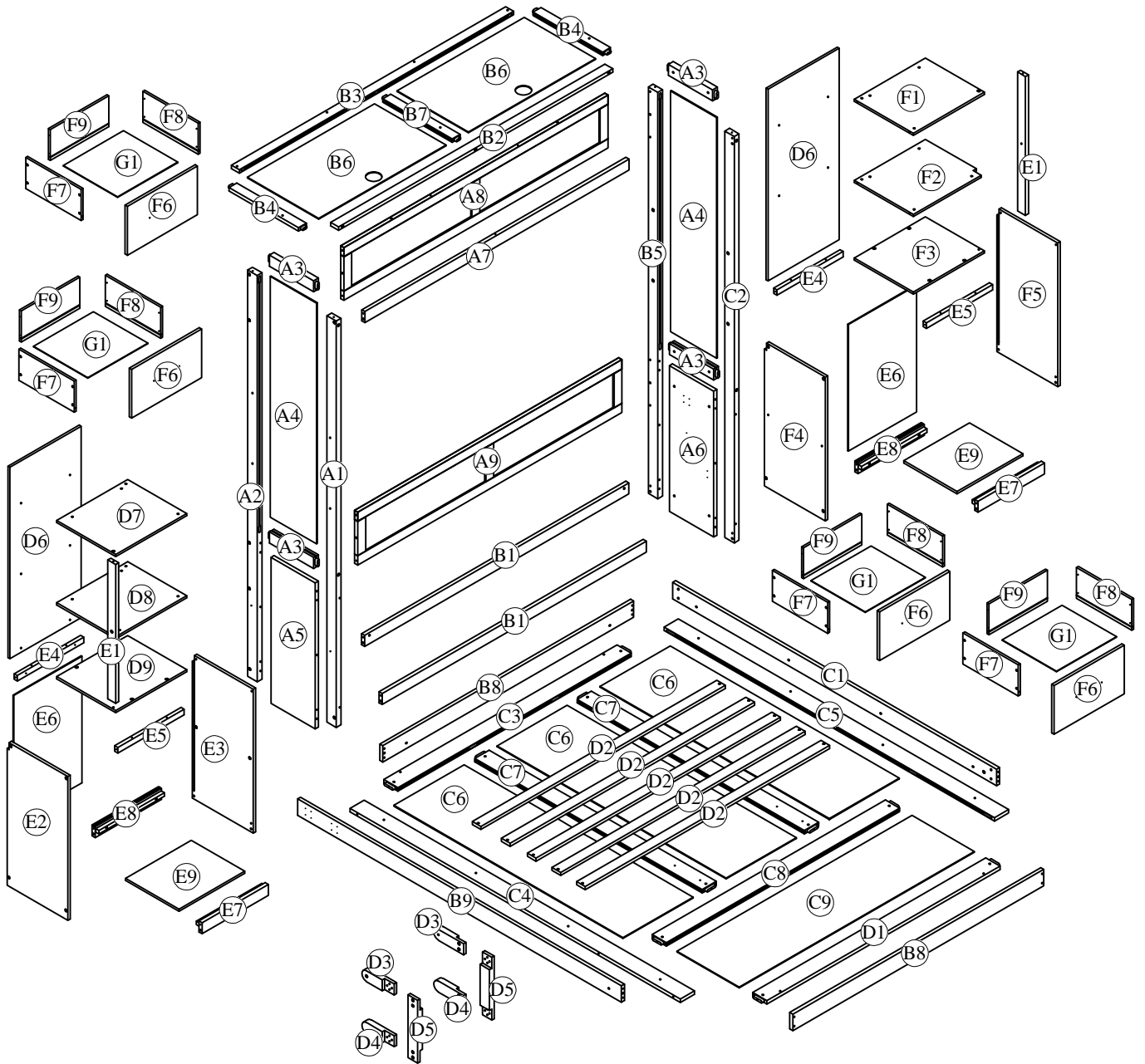
OPTION 1:



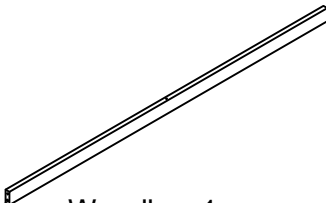
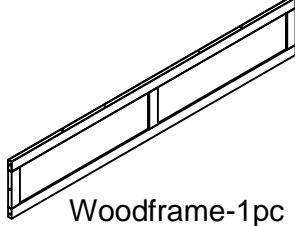
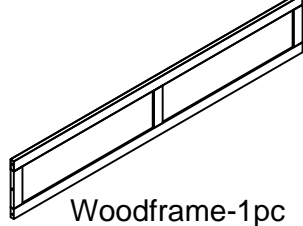


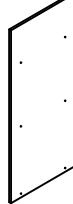
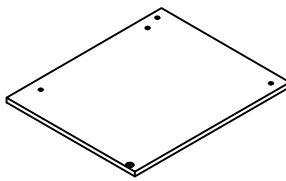
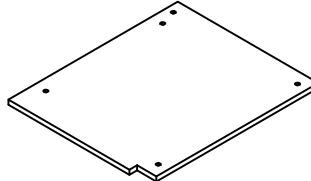
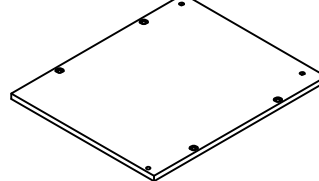

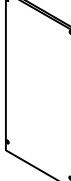
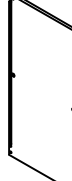
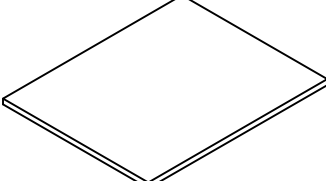
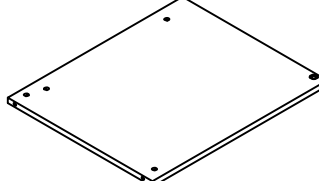
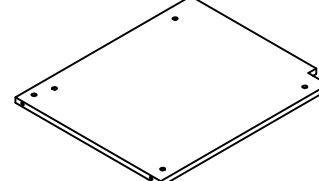
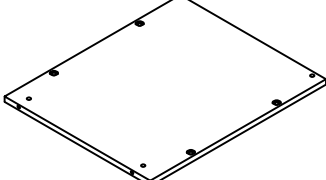
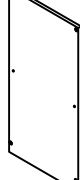
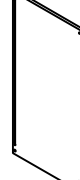
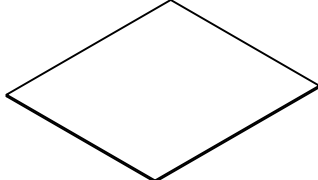
OPTION 2:





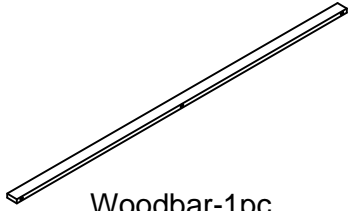
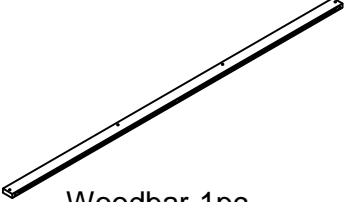
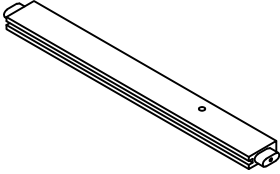

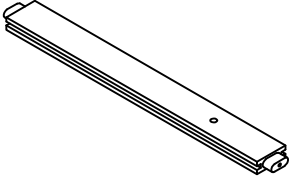
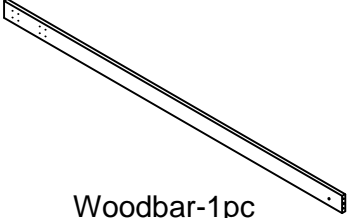
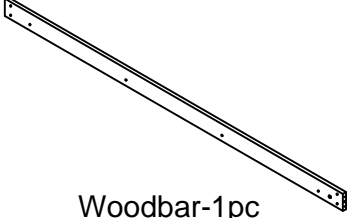

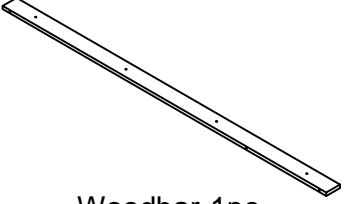

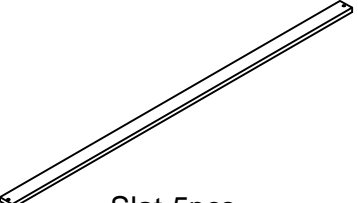
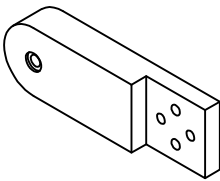
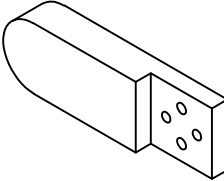

# ASSEMBLY INSTRUCTION



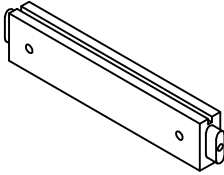

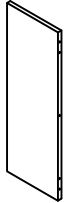

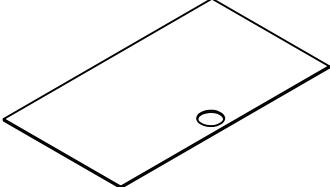
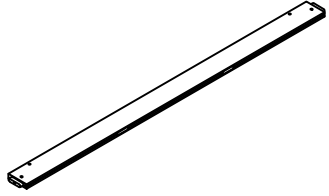
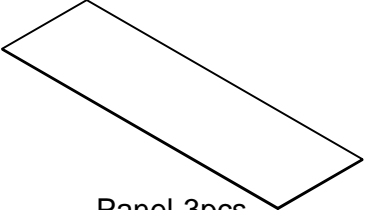
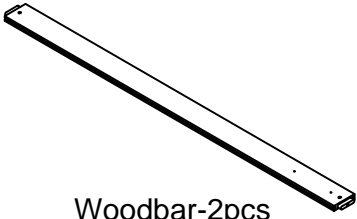
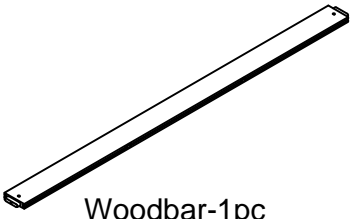
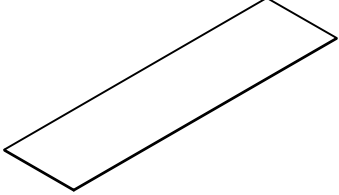
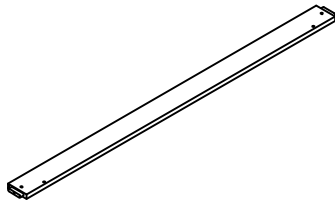

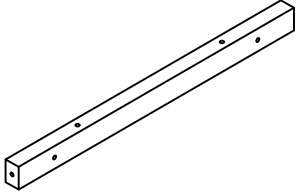
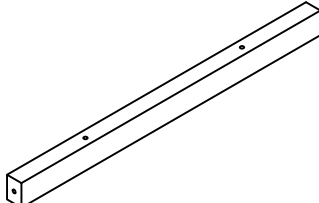
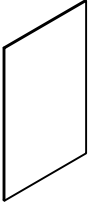
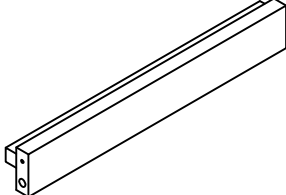
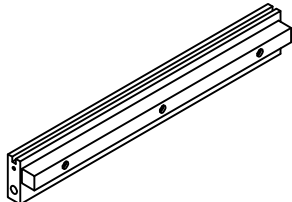
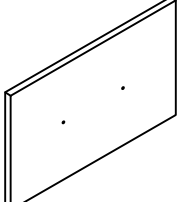
# Part List (Box 1)

<p><b>A7</b></p>  <p>Woodbar-1pc</p>	<p><b>A8</b></p>  <p>Woodframe-1pc</p>	<p><b>A9</b></p>  <p>Woodframe-1pc</p>
<p><b>B1</b></p>  <p>Woodbar-2pcs</p>	<p><b>B8</b></p>  <p>Woodbar-2pcs</p>	<p><b>D6</b></p>  <p>Panel-2pcs</p>
<p><b>D7</b></p>  <p>Panel-1pc</p>	<p><b>D8</b></p>  <p>Panel-1pc</p>	<p><b>D9</b></p>  <p>Panel-1pc</p>
<p><b>E1</b></p>  <p>Woodbar-2pcs</p>	<p><b>E2</b></p>  <p>Panel-1pc</p>	<p><b>E3</b></p>  <p>Panel-1pc</p>
<p><b>E9</b></p>  <p>Panel-2pcs</p>	<p><b>F1</b></p>  <p>Panel-1pc</p>	<p><b>F2</b></p>  <p>Panel-1pc</p>
<p><b>F3</b></p>  <p>Panel-1pc</p>	<p><b>F4</b></p>  <p>Panel-1pc</p>	<p><b>F5</b></p>  <p>Panel-1pc</p>
<p><b>G1</b></p>  <p>Panel-4pcs</p>		

# Part List (Box 2)

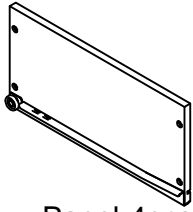
<p>A1</p>  <p>Woodleg-1pc</p>	<p>A2</p>  <p>Woodleg-1pc</p>	<p>B2</p>  <p>Woodbar-1pc</p>
<p>B3</p>  <p>Woodbar-1pc</p>	<p>B4</p>  <p>Woodbar-2pcs</p>	<p>B5</p>  <p>Woodleg-1pc</p>
<p>B7</p>  <p>Woodbar-1pc</p>	<p>B9</p>  <p>Woodbar-1pc</p>	<p>C1</p>  <p>Woodbar-1pc</p>
<p>C2</p>  <p>Woodleg-1pc</p>	<p>C4</p>  <p>Woodbar-1pc</p>	<p>C5</p>  <p>Woodbar-1pc</p>
<p>D2</p>  <p>Slat-5pcs</p>	<p>D3</p>  <p>Woodleg-2pcs</p>	<p>D4</p>  <p>Woodleg-2pcs</p>
<p>G5</p>  <p>1000N</p> <p>Piston Steam-2pcs</p>		

# Part List & Hardware List (Box 3)

<p><b>A3</b></p>  <p>Woodbar-4pcs</p>	<p><b>A4</b></p>  <p>Panel-2pcs</p>	<p><b>A5</b></p>  <p>Panel-1pc</p>
<p><b>A6</b></p>  <p>Panel-1pc</p>	<p><b>B6</b></p>  <p>Panel-2pcs</p>	<p><b>C3</b></p>  <p>Woodbar-1pc</p>
<p><b>C6</b></p>  <p>Panel-3pcs</p>	<p><b>C7</b></p>  <p>Woodbar-2pcs</p>	<p><b>C8</b></p>  <p>Woodbar-1pc</p>
<p><b>C9</b></p>  <p>Panel-1pc</p>	<p><b>D1</b></p>  <p>Woodbar-1pc</p>	<p><b>D5</b></p>  <p>Woodleg-2pcs</p>
<p><b>E4</b></p>  <p>Woodbar-2pcs</p>	<p><b>E5</b></p>  <p>Woodbar-2pcs</p>	<p><b>E6</b></p>  <p>Panel-2pcs</p>
<p><b>E7</b></p>  <p>Woodbar-2pcs</p>	<p><b>E8</b></p>  <p>Woodbar-2pcs</p>	<p><b>F6</b></p>  <p>Panel-4pcs</p>

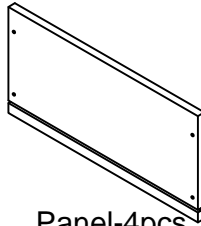
# Part List & Hardware List (Box 3)

F7



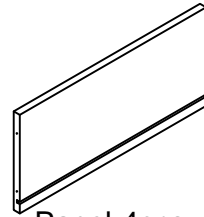
Panel-4pcs

F8



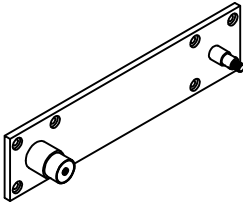
Panel-4pcs

F9



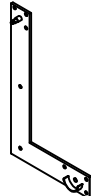
Panel-4pcs

G2



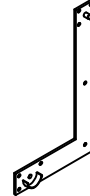
Metal corner link-2pcs

G3



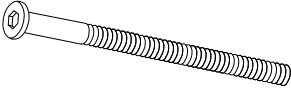

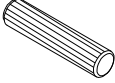
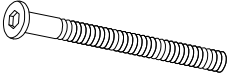
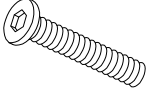
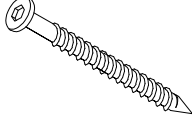
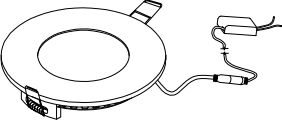
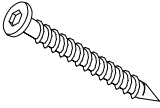
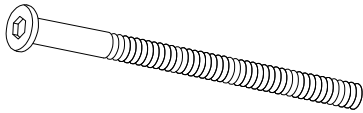
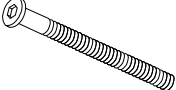
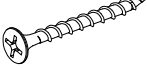
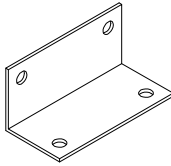
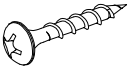
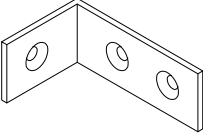
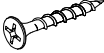
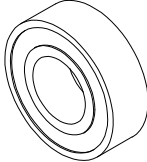


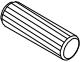
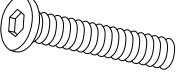

Metal corner link-2pcs

G4

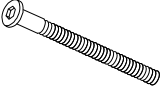
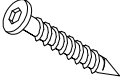
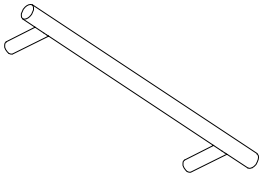
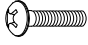
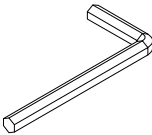
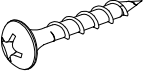
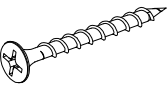
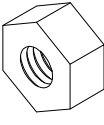


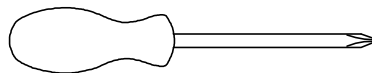
Metal corner link-1pc

# Hardware List (Box 3)

<p><b>1</b></p>  <p>Ø1/4" x 100 mm Hex-Head bolts 16pcs</p>	<p><b>2</b></p>  <p>Ø1/4" x 12 mm Horizontal-Hole bolts 82pcs</p>	<p><b>3</b></p>  <p>Ø8 x 30 mm Wood dowel 36pcs</p>
<p><b>4</b></p>  <p>Ø1/4" x 70 mm Hex-Head bolts 26pcs</p>	<p><b>5</b></p>  <p>Ø1/3" x 40 mm Hex-Head bolts 2pcs</p>	<p><b>6</b></p>  <p>Screws 1/4" x60 6pcs</p>
<p><b>7</b></p>  <p>Led Light - 2pcs</p>	<p><b>8</b></p>  <p>Screws 1/4" x40 23pcs</p>	<p><b>9</b></p>  <p>Ø1/4" x 120 mm Hex-Head bolts 10pcs</p>
<p><b>10</b></p>  <p>Ø1/4" x 60 mm Hex-Head bolts 22pcs</p>	<p><b>11</b></p>  <p>M4 x 30 mm Wood Screws 50pcs</p>	<p><b>12</b></p>  <p>Angle Metal - 4pcs</p>
<p><b>13</b></p>  <p>M4 x 15 mm Wood Screws 16pcs</p>	<p><b>14</b></p>  <p>Angle Metal - 4pcs</p>	<p><b>15</b></p>  <p>M4 x 20 mm Wood Screws 36pc</p>
<p><b>16</b></p>  <p>Bearing - 2pcs</p>	<p><b>17</b></p>  <p>Ø1/4" x 15 mm T-nut 10pcs</p>	<p><b>18</b></p>  <p>Ø1/4" x 20 mm Hex-Head bolts 8pcs</p>
<p><b>19</b></p>  <p>Ø8 x 20 mm Wood dowel 8pcs</p>	<p><b>20</b></p>  <p>Ø1/4" x 40 mm Hex-Head bolts 2pcs</p>	<p><b>21</b></p>  <p>Ø20 / Ø6 x 2 mm Washer 2pcs</p>



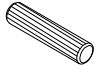
# Hardware List (Box 3)

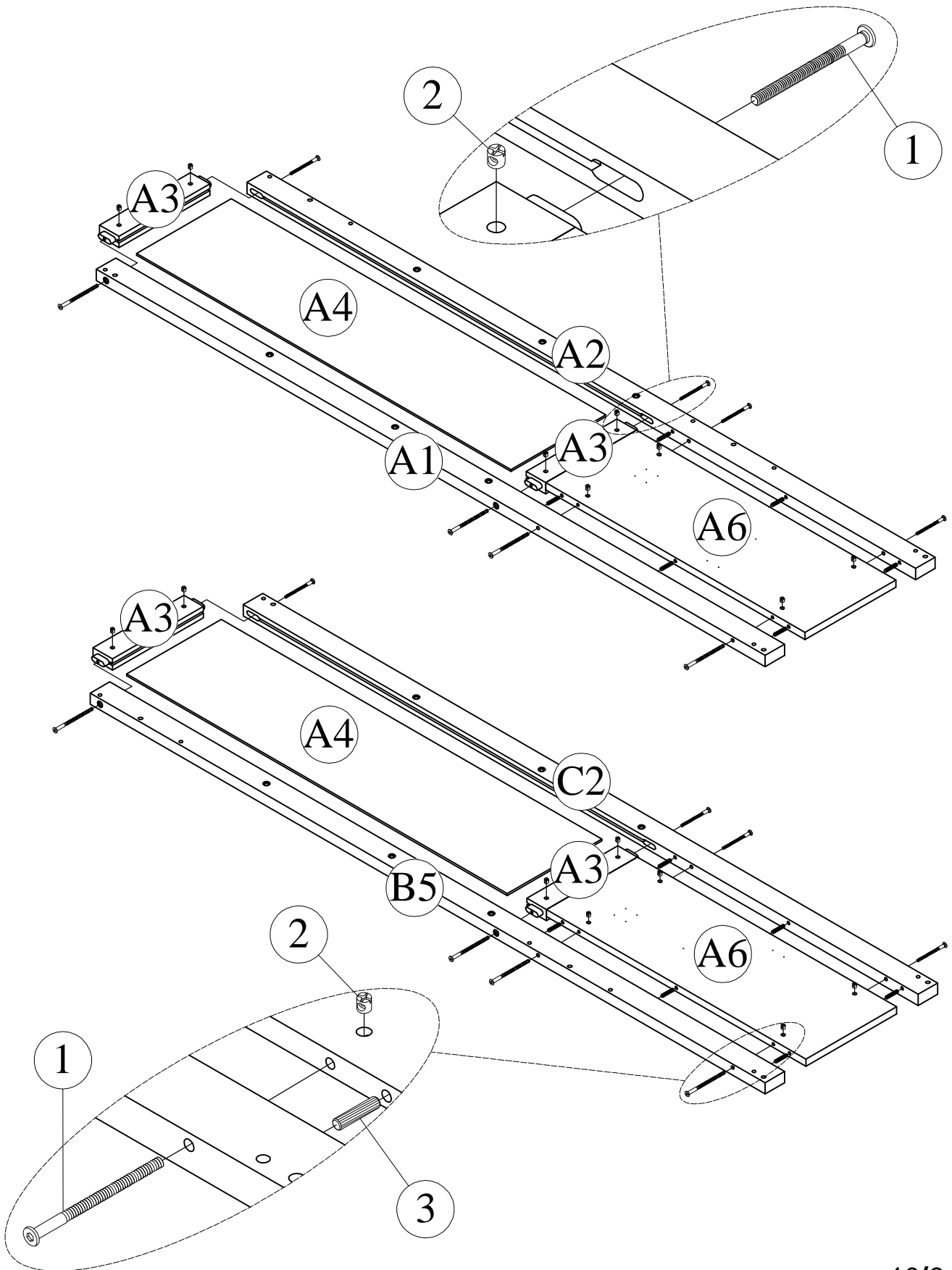
<p>22</p>  <p>Ø1/4" x 50 mm Hex-Head bolts 8pcs</p>	<p>23</p>  <p>Screws 1/4" x30 20pcs</p>	<p>24</p>  <p>Handle - 6pcs</p>
<p>25</p>  <p>Bolt Ø1/6" x 25 mm 12pcs</p>	<p>26</p>  <p>Allen Key 2pcs</p>	<p>27</p>  <p>M4 x 20 mm Wood Screws 8pcs</p>
<p>28</p>  <p>M4 x 40 mm Wood Screws 4pcs</p>	<p>29</p>  <p>Nut - 4pcs</p>	





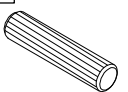
**Assembly Tools Required (Not Included)**

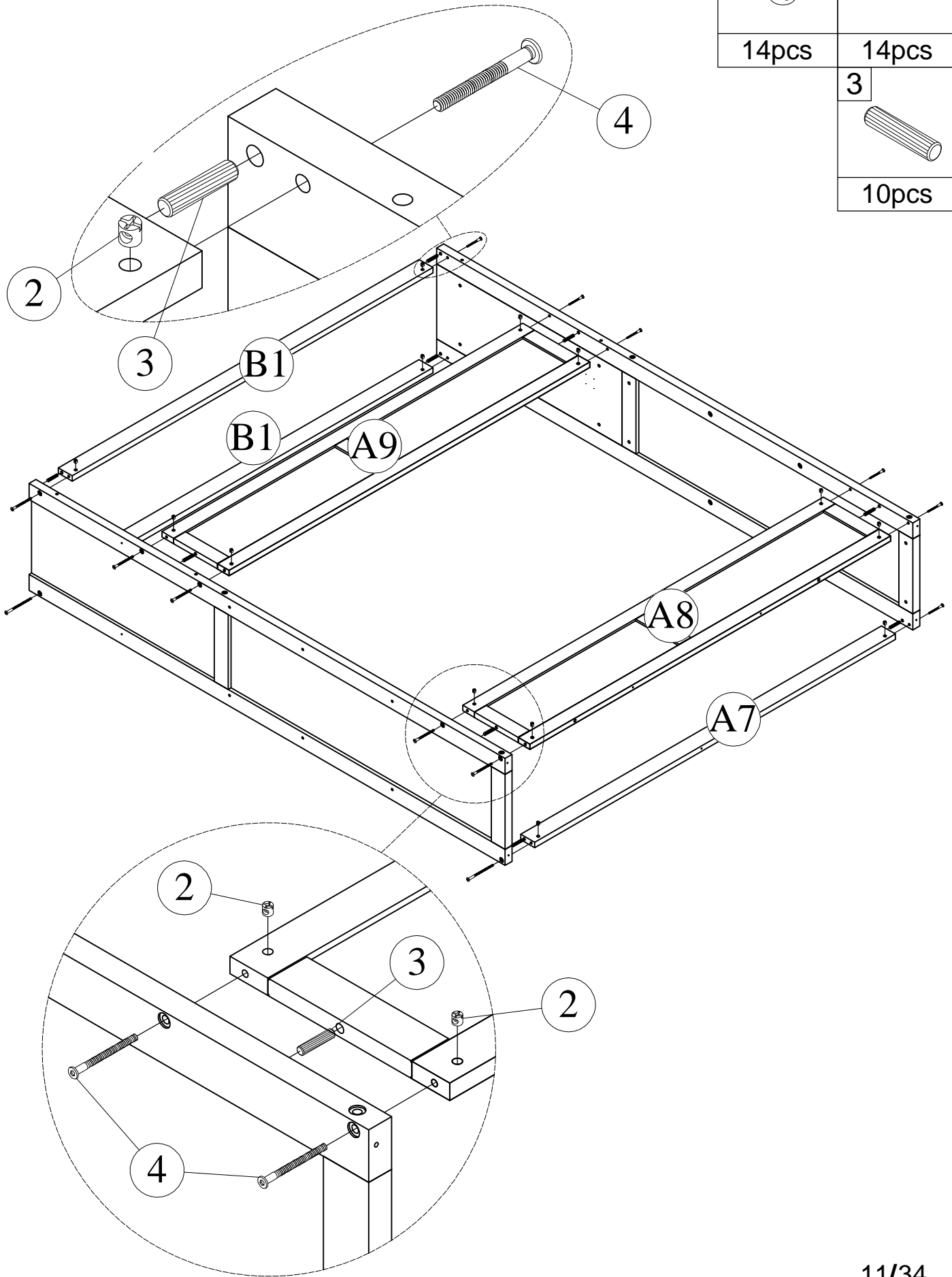
**STEP1:** Following below illustration.

1	2	3
		
16pcs	16pcs	12pcs



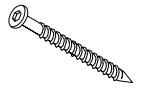
**STEP2:** Following below illustration.

2		4	
14pcs		14pcs	
		3	
		10pcs	

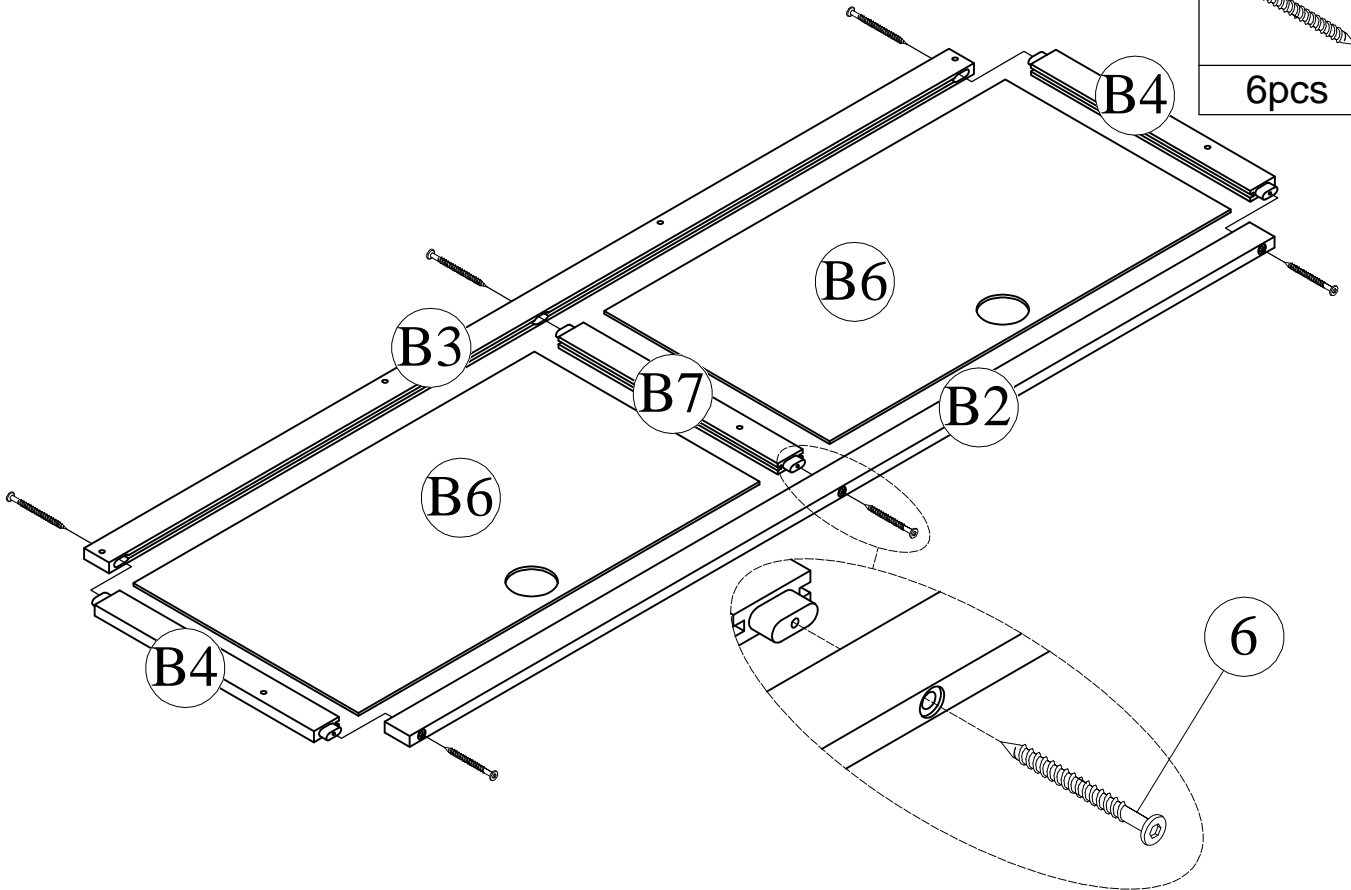


**STEP3:** Following below illustration.

6



6pcs

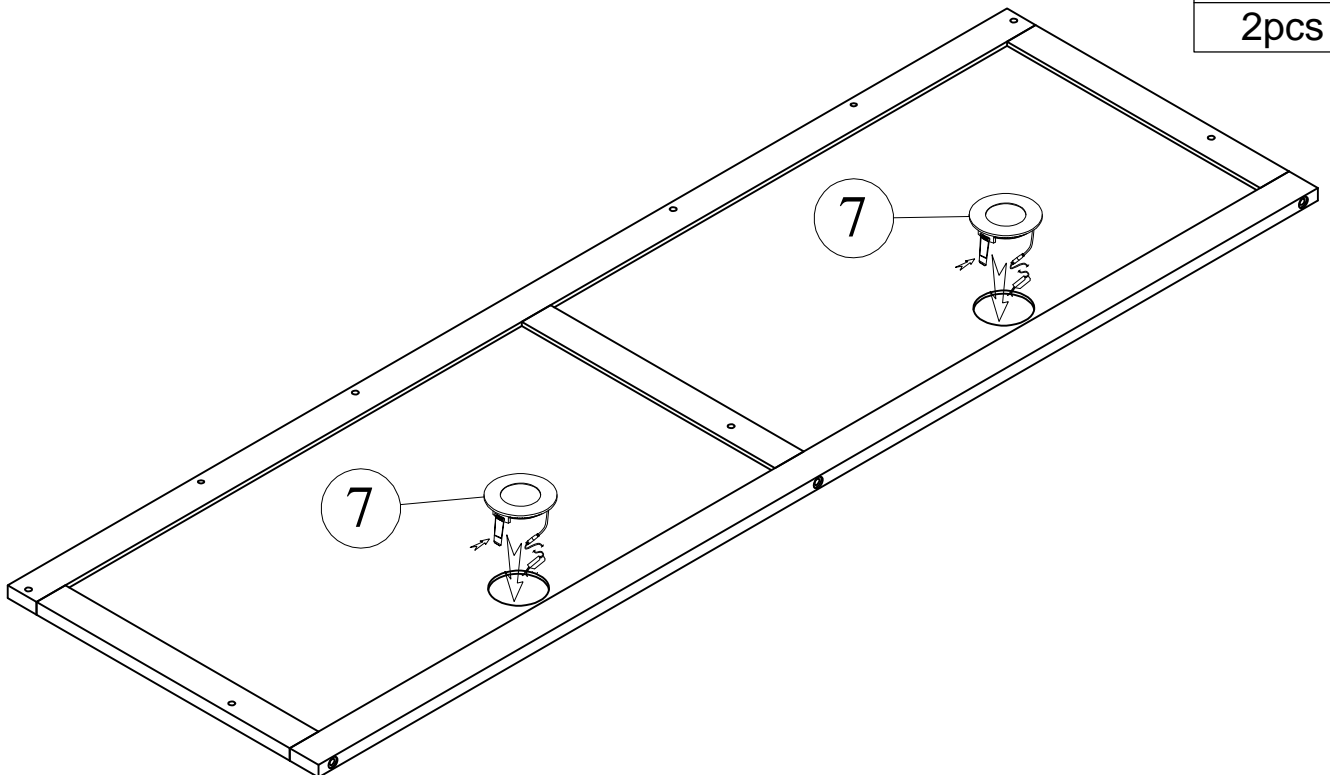


**STEP4:** Following below illustration.

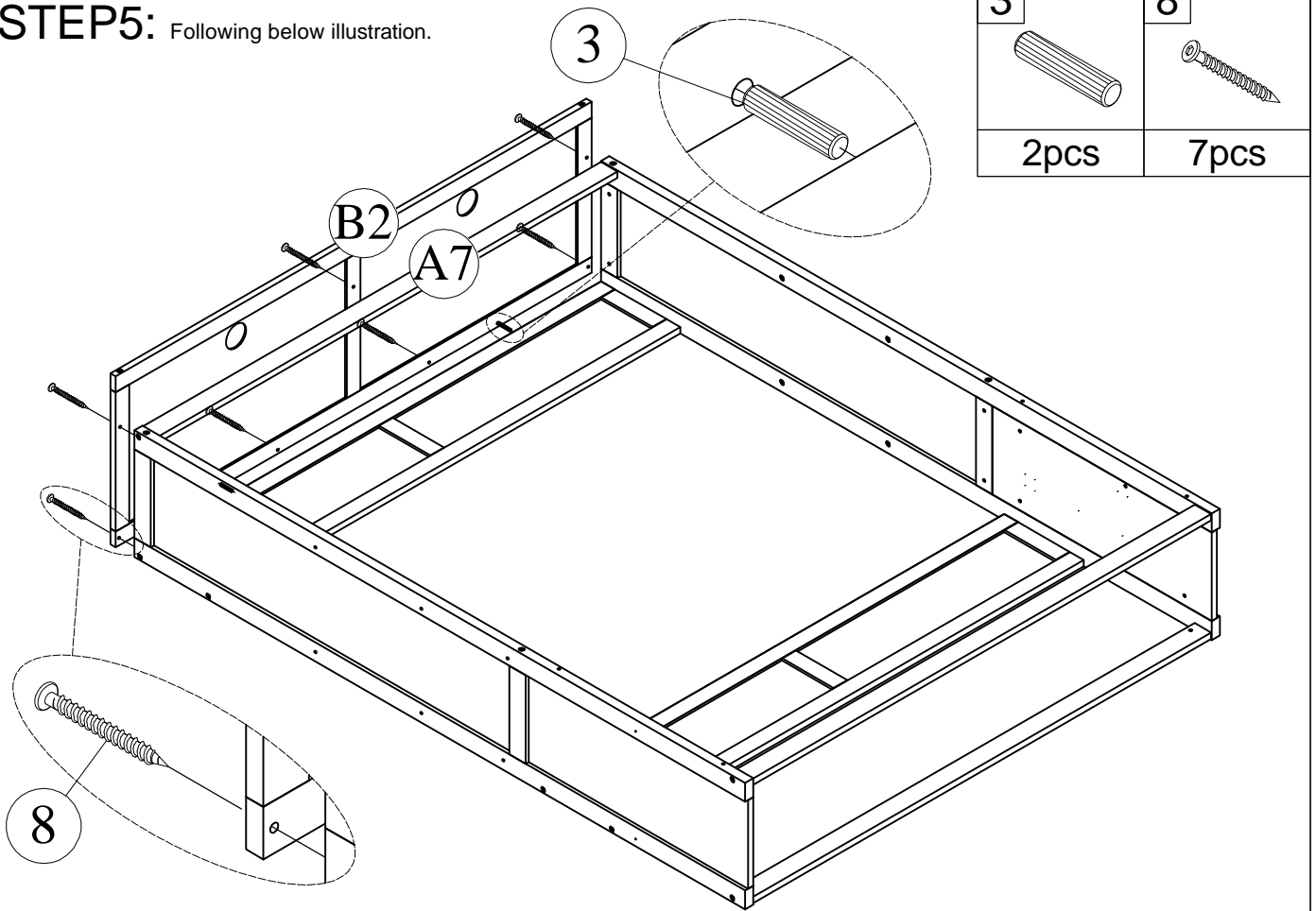
7



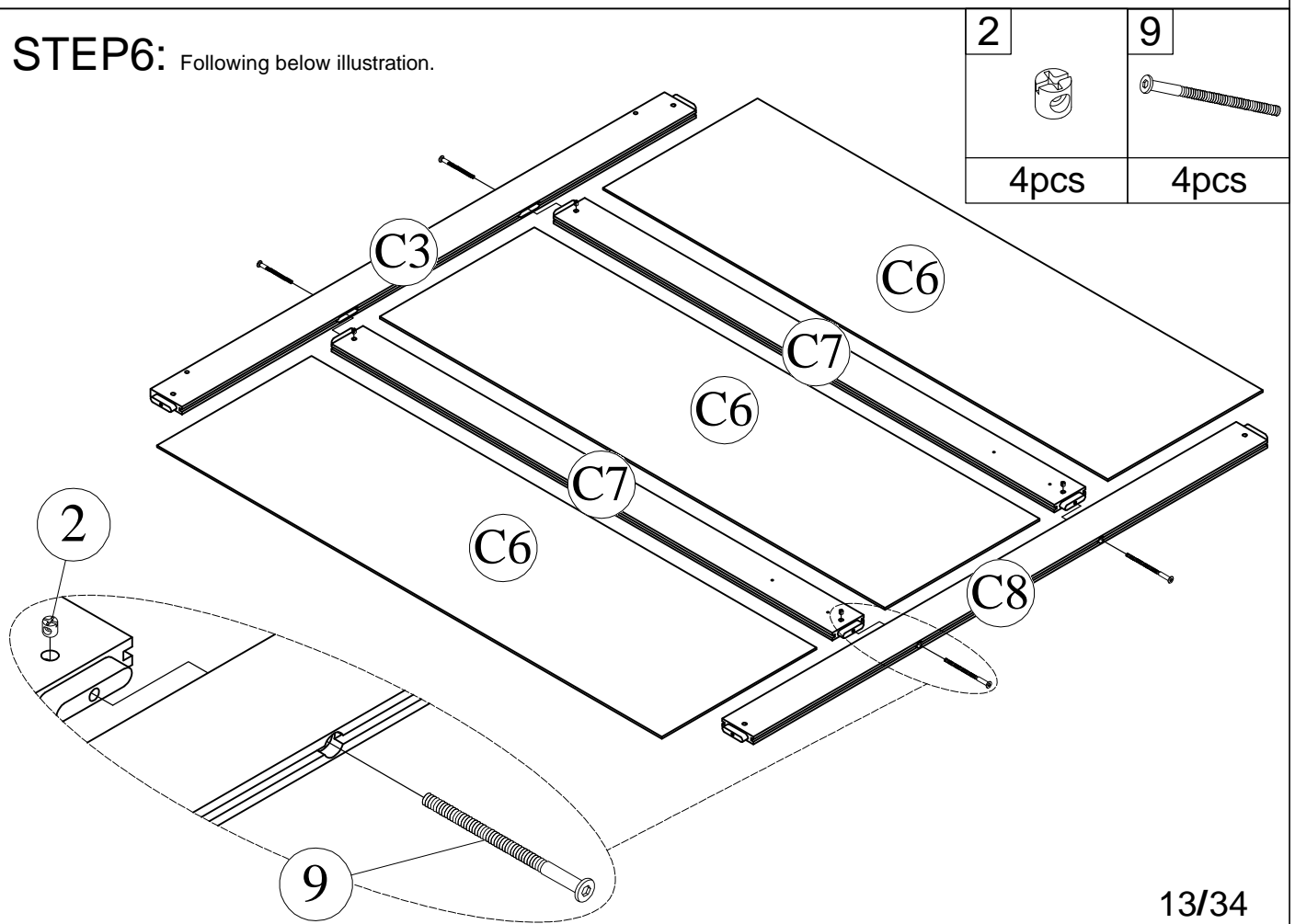
2pcs



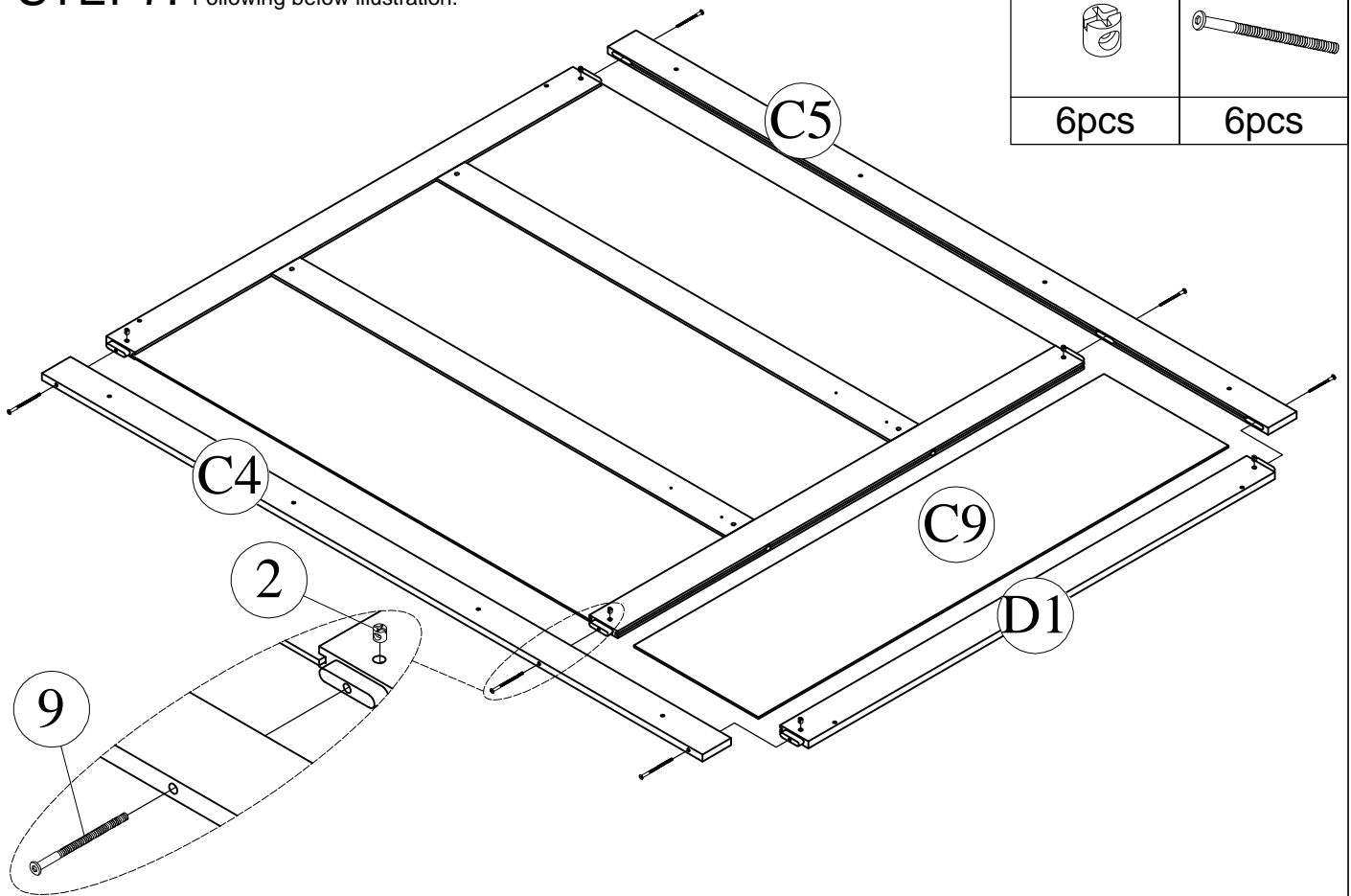
**STEP5:** Following below illustration.





**STEP6:** Following below illustration.

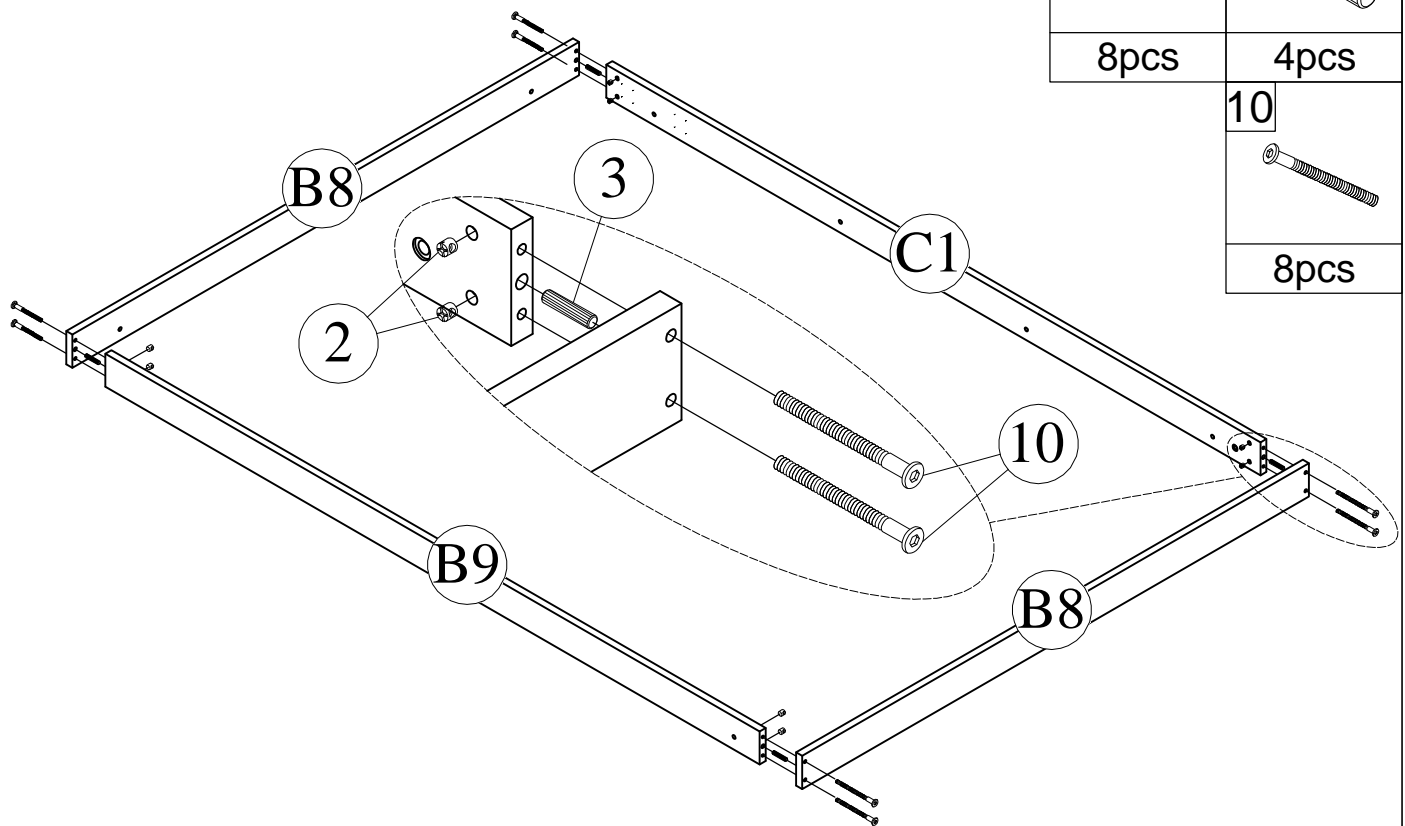



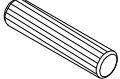
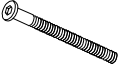
**STEP7:** Following below illustration.





2	9
	
6pcs	6pcs

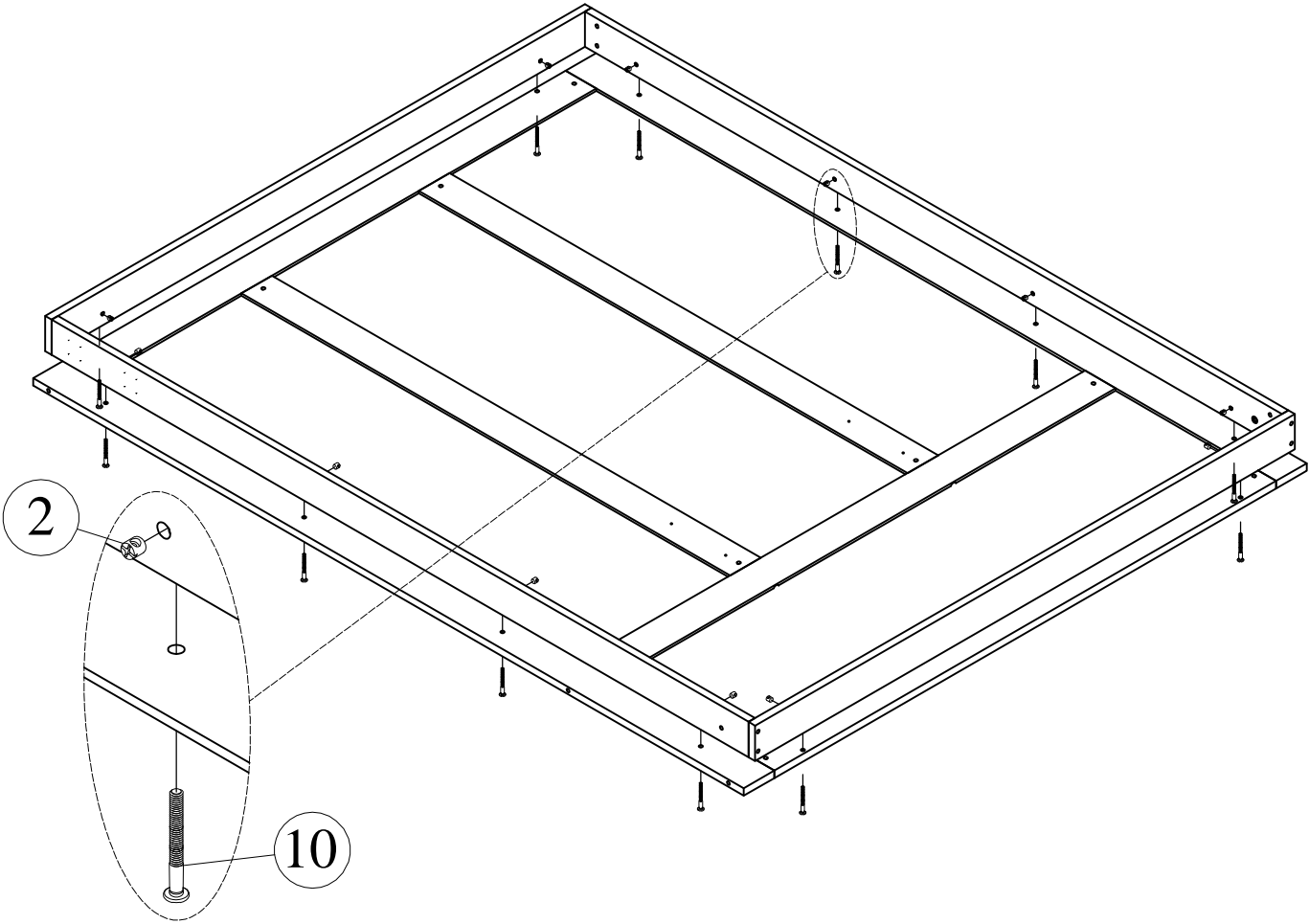
**STEP8:** Following below illustration.



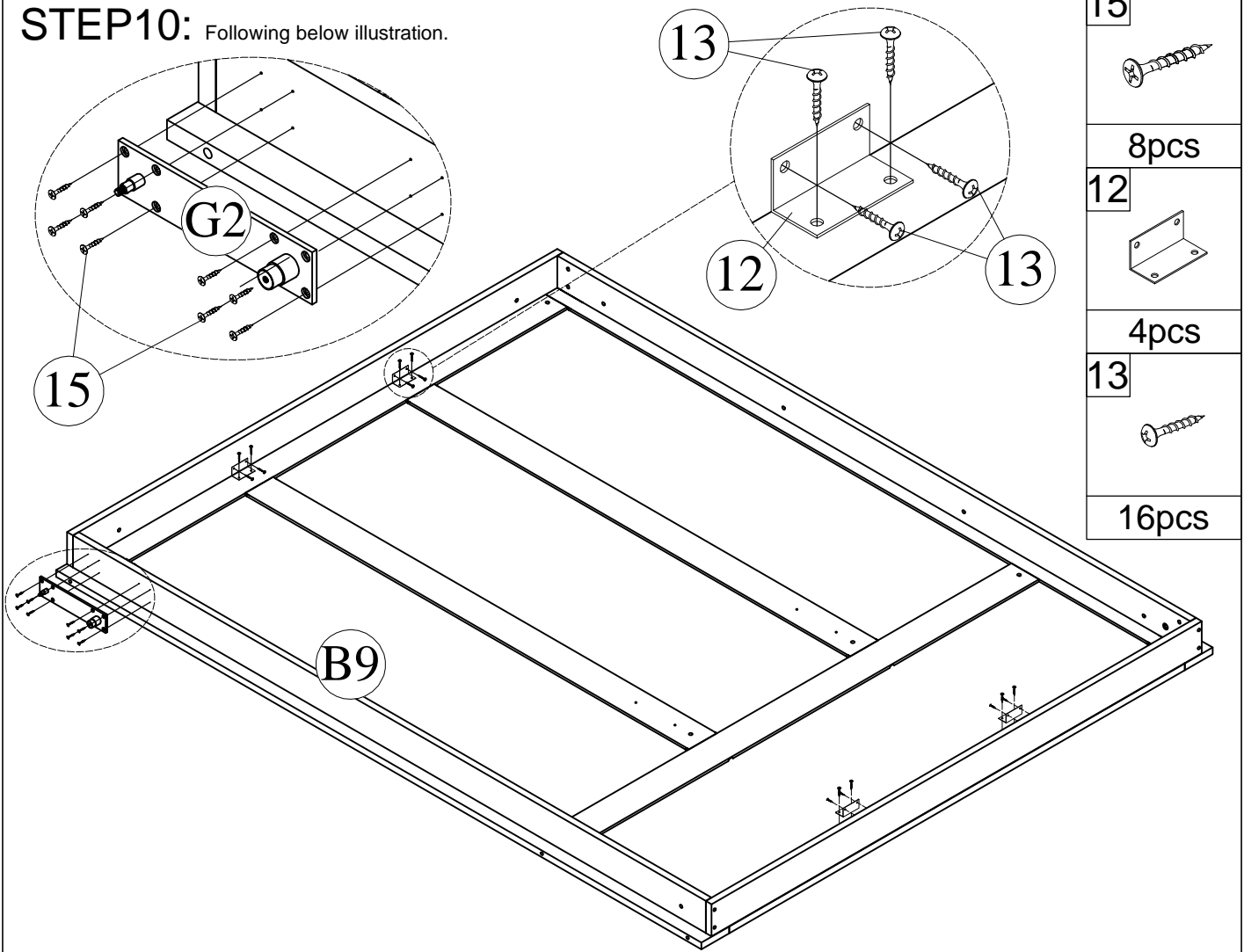
2	3
	
8pcs	4pcs
	10
	
	8pcs

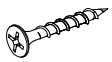
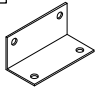

**STEP9:** Following below illustration.

2	10
	
12pcs	12pcs

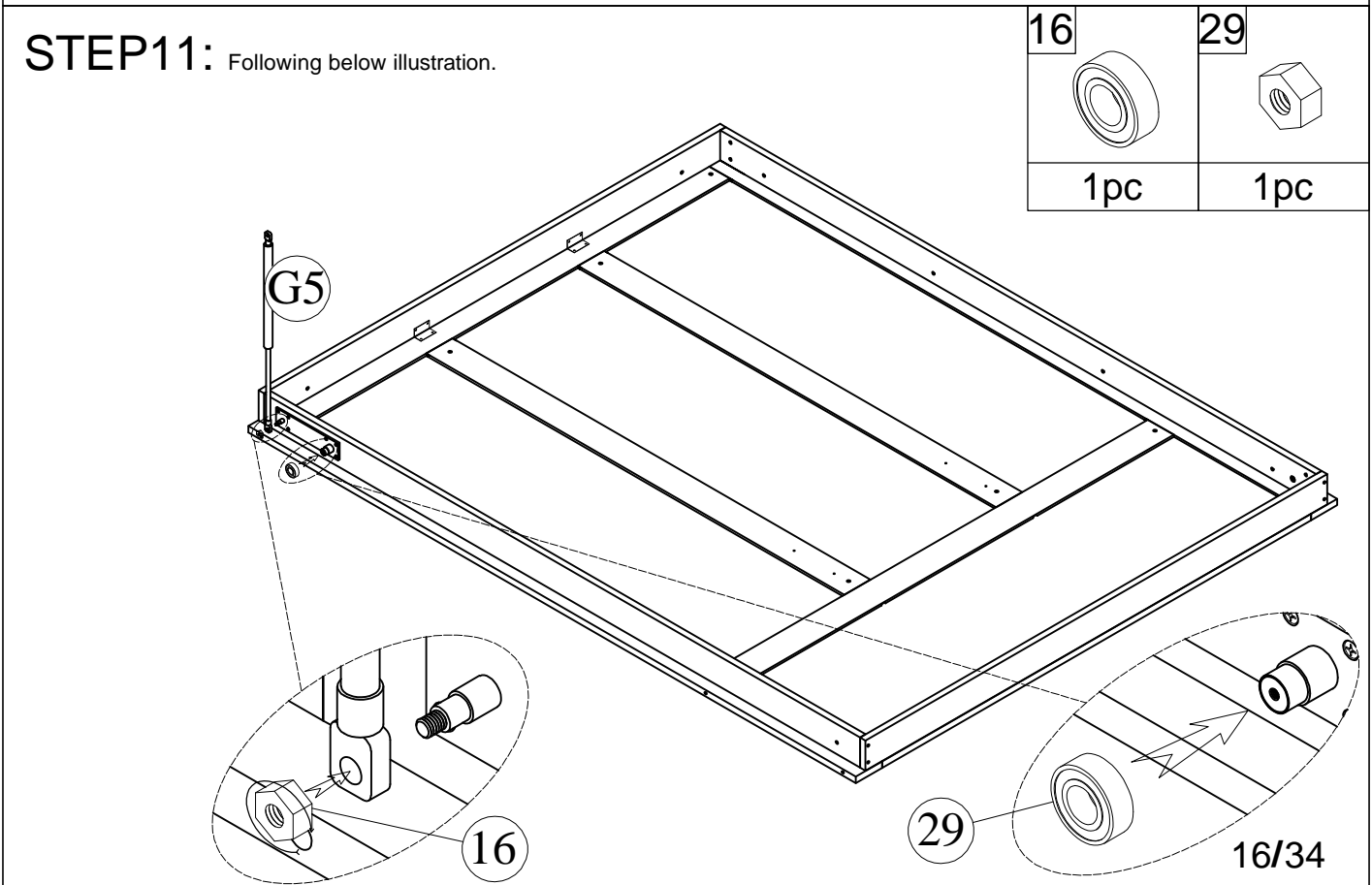



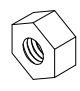
**STEP10:** Following below illustration.



- |       |   |
|-------|---|
| 15    |  |
| 8pcs  |   |
| 12    |  |
| 4pcs  |   |
| 13    |  |
| 16pcs |   |

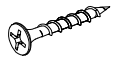
**STEP11:** Following below illustration.



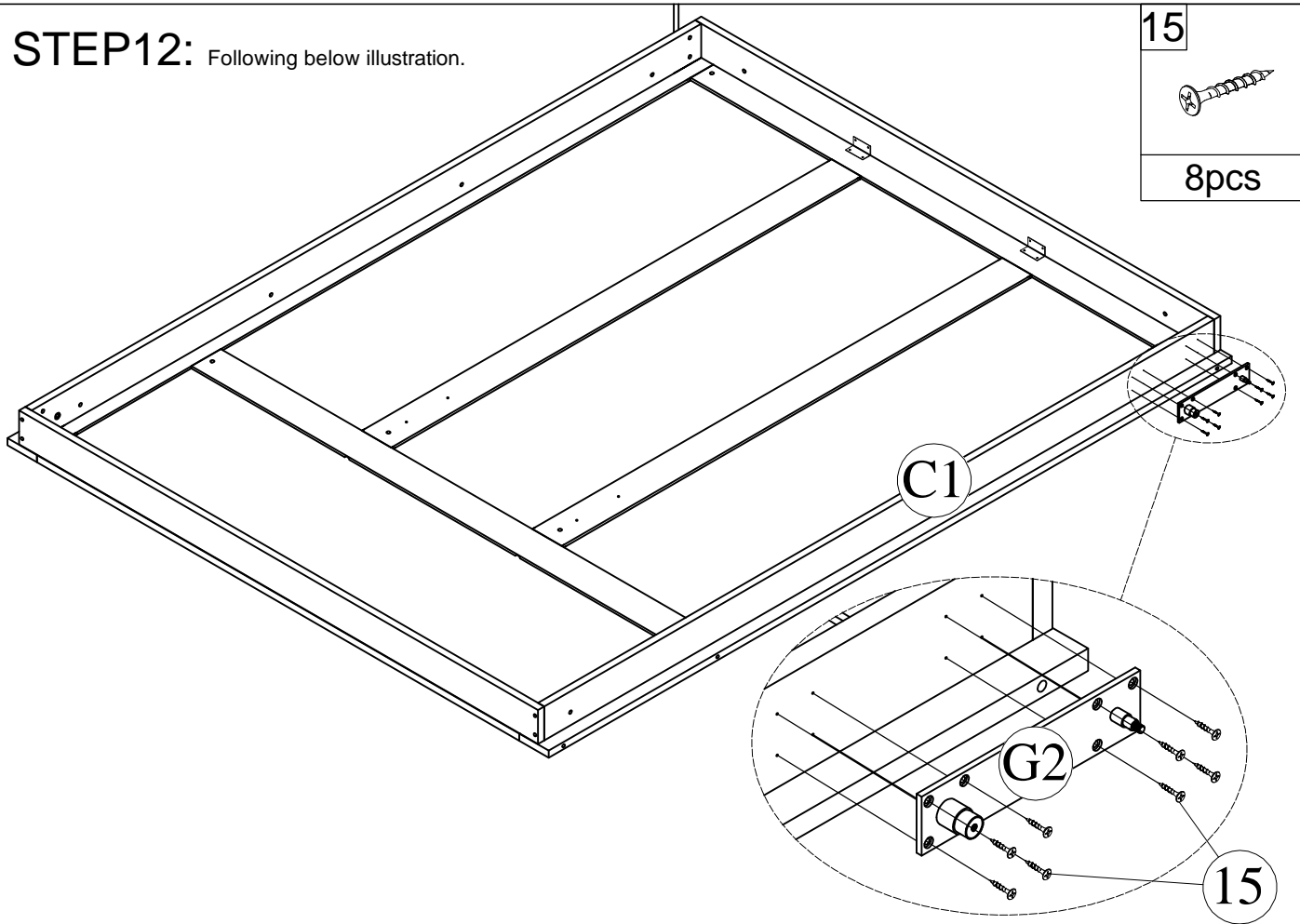
- |     |   |
|-----|---|
| 16  |  |
| 1pc |   |
| 29  |  |
| 1pc |   |

**STEP12:** Following below illustration.

15



8pcs



**STEP13:** Following below illustration.

16

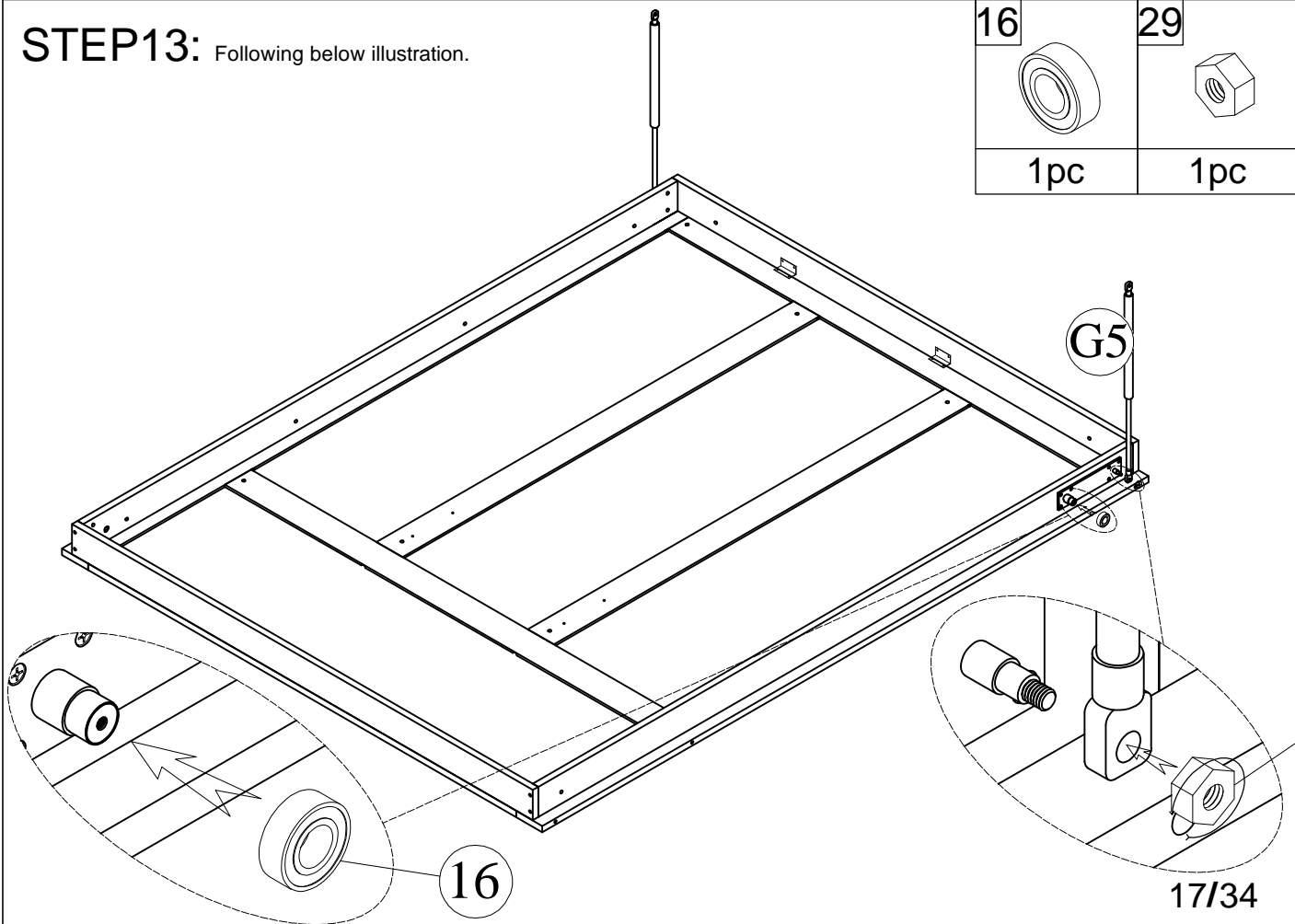


1pc

29

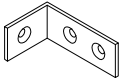


1pc



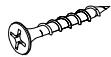
**STEP14:** Following below illustration.

14



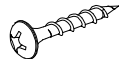
2pcs

15

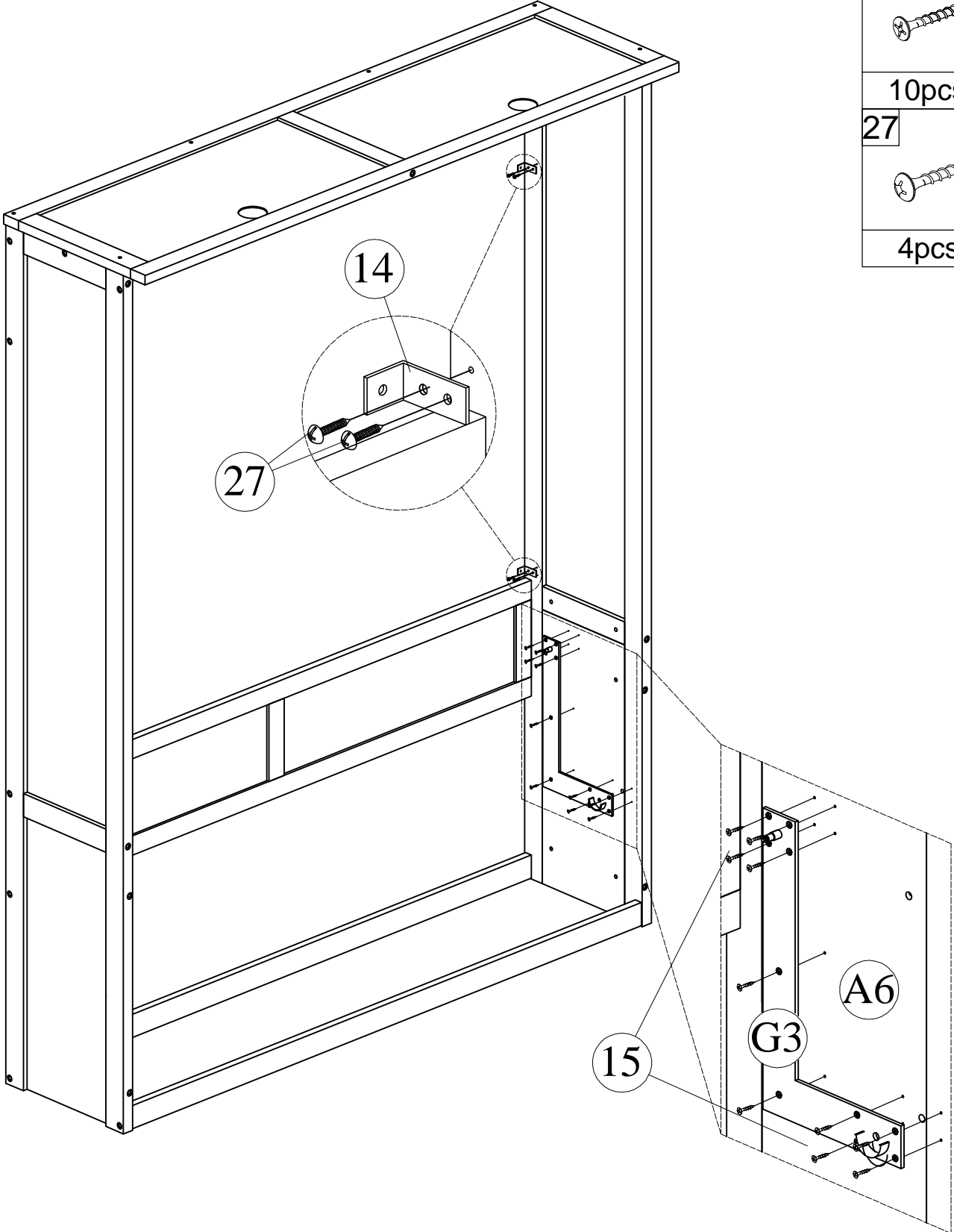


10pcs

27



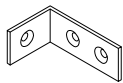
4pcs



29

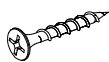
**STEP15:** Following below illustration.

14



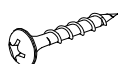
2pcs

15

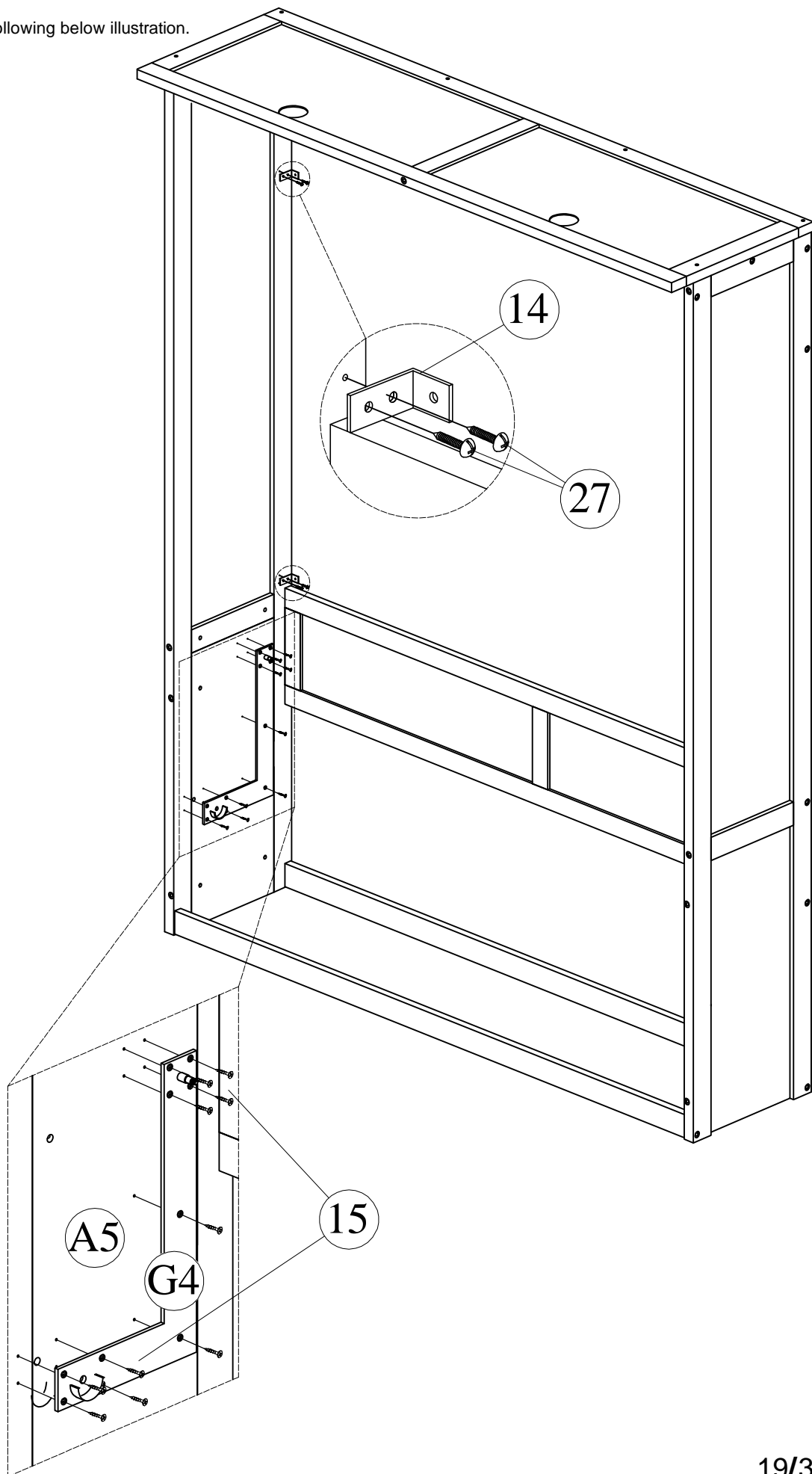


10pcs

27



4pcs

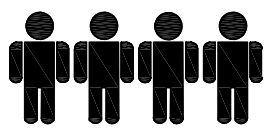
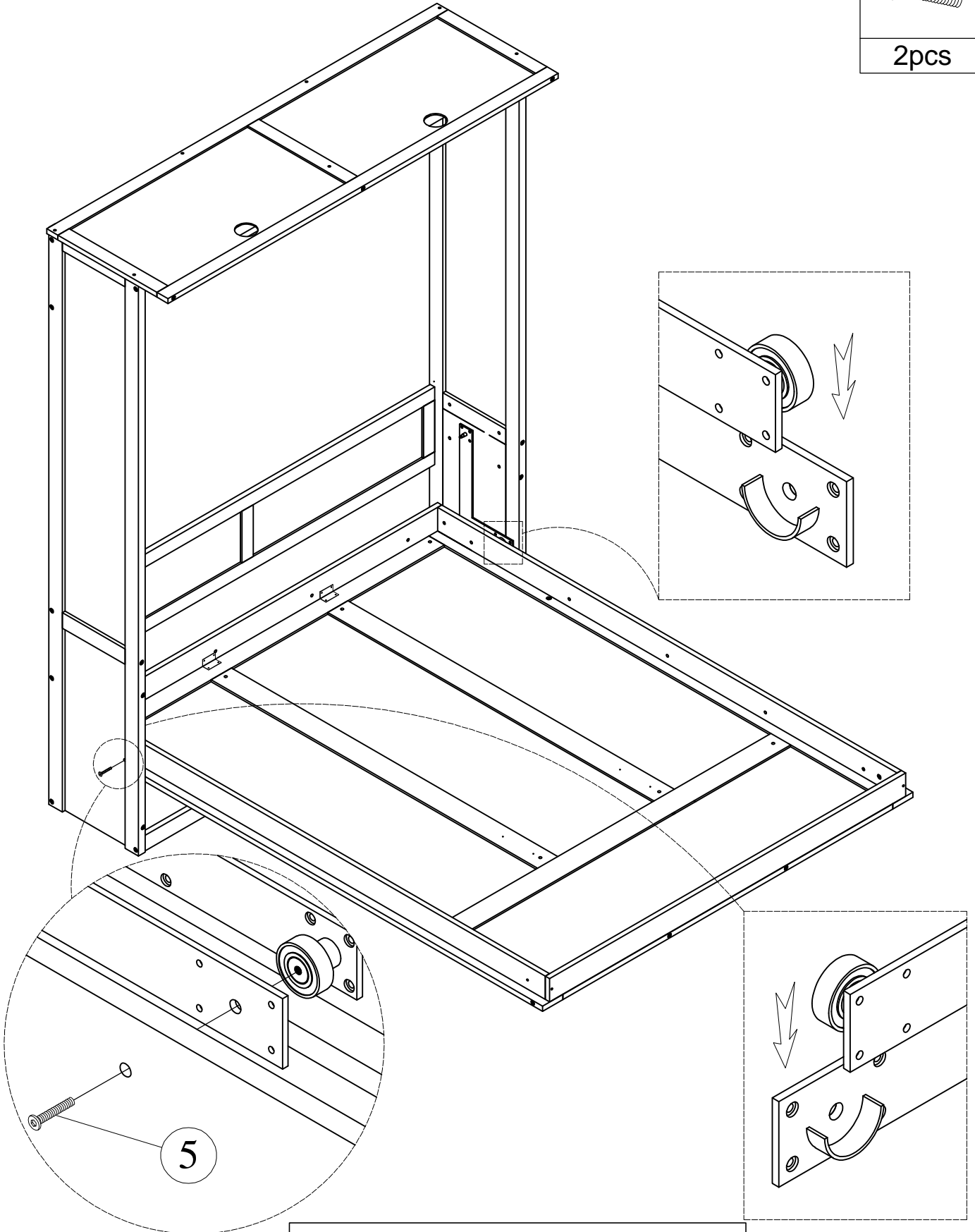


**STEP16:** Following below illustration.

5



2pcs



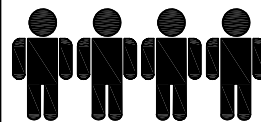
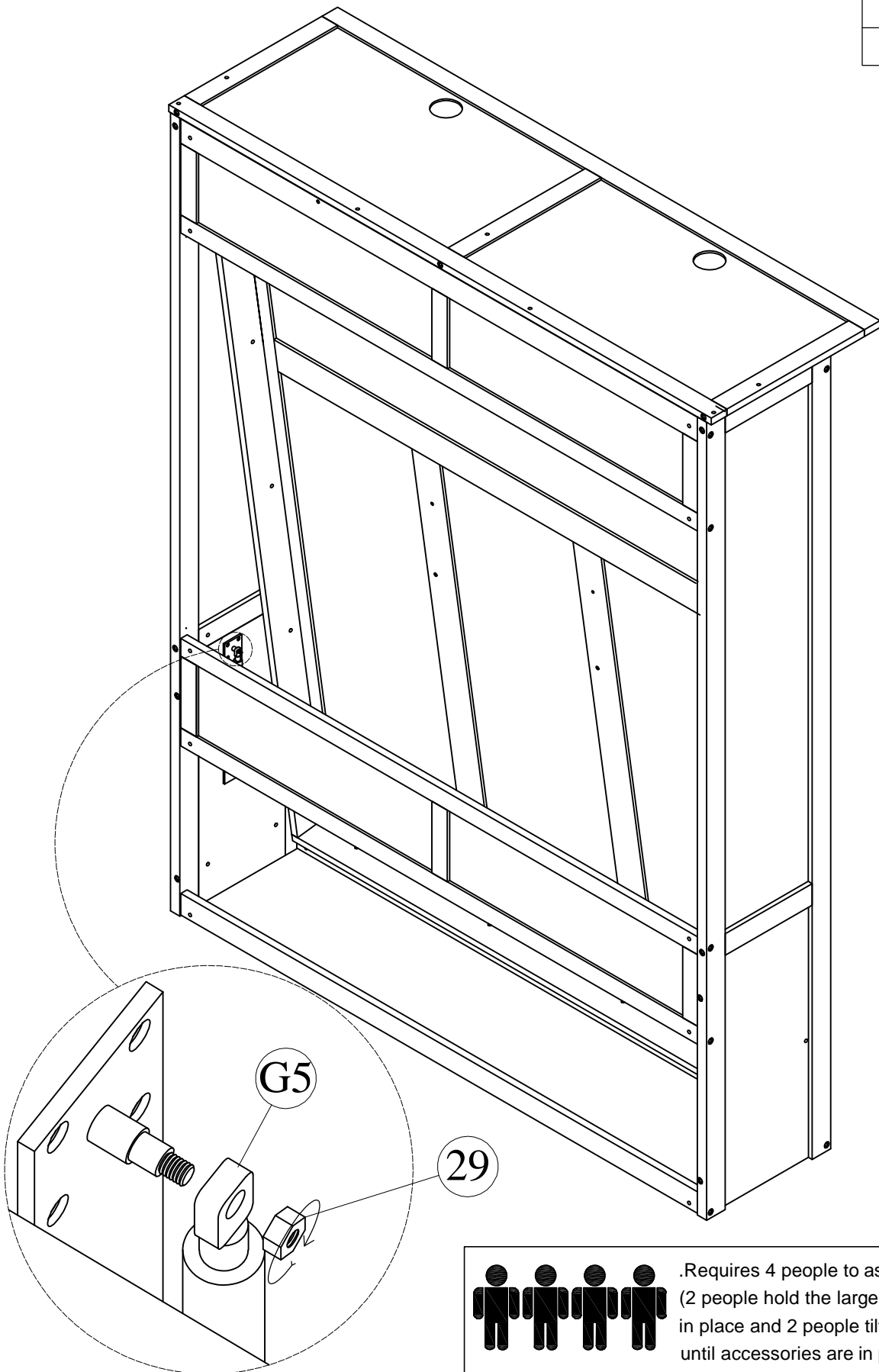
.Requires 4 people to assemble  
(2 people hold the large cabinet  
in place and 2 people tilt the bed  
until accessories are in place)

**STEP17:** Following below illustration.

29



1pc



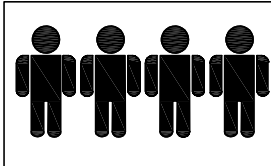
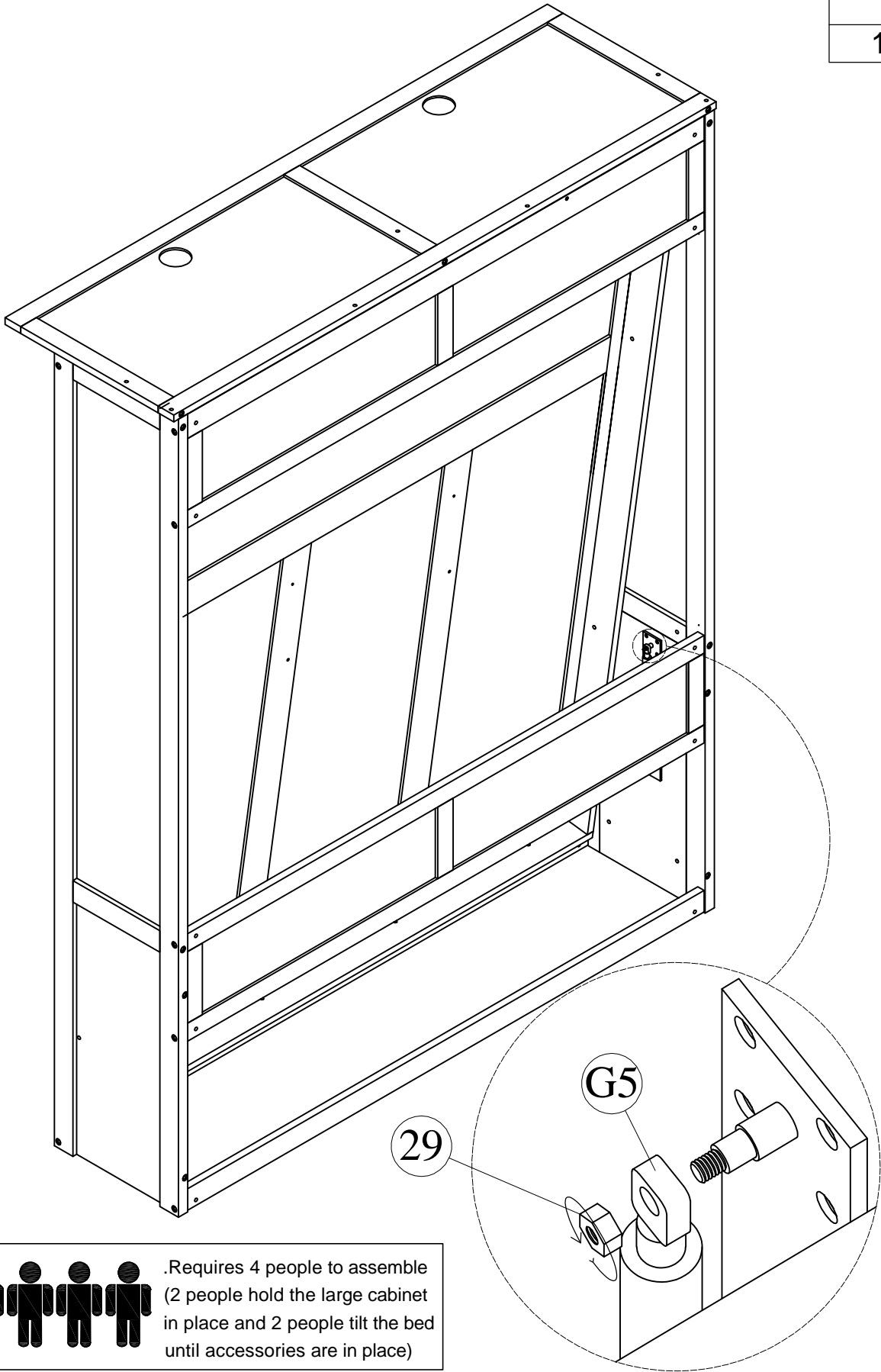
.Requires 4 people to assemble  
(2 people hold the large cabinet  
in place and 2 people tilt the bed  
until accessories are in place)

**STEP18:** Following below illustration.

29


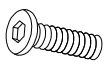
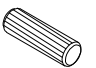


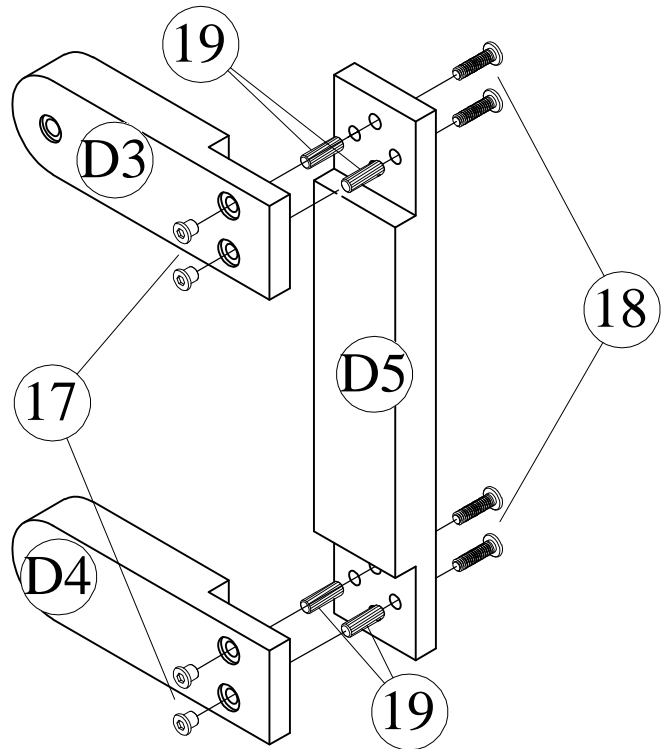
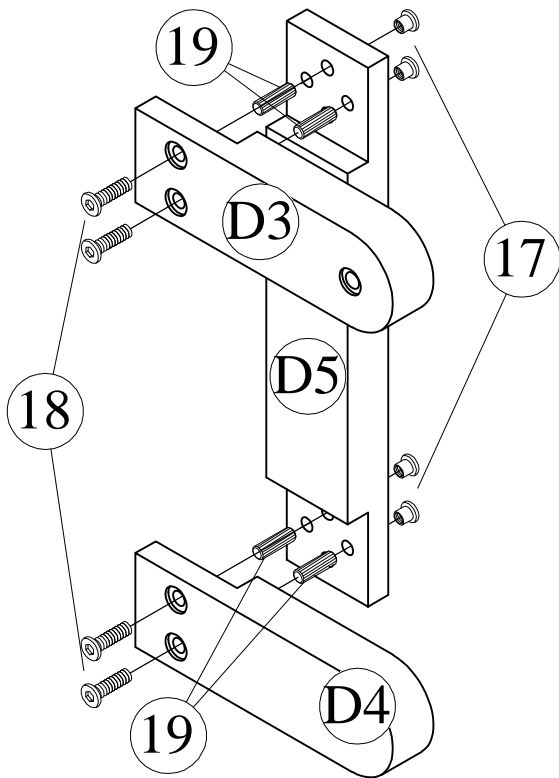
1pc




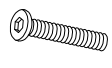

.Requires 4 people to assemble  
(2 people hold the large cabinet  
in place and 2 people tilt the bed  
until accessories are in place)

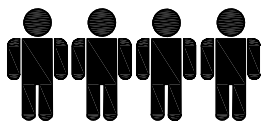
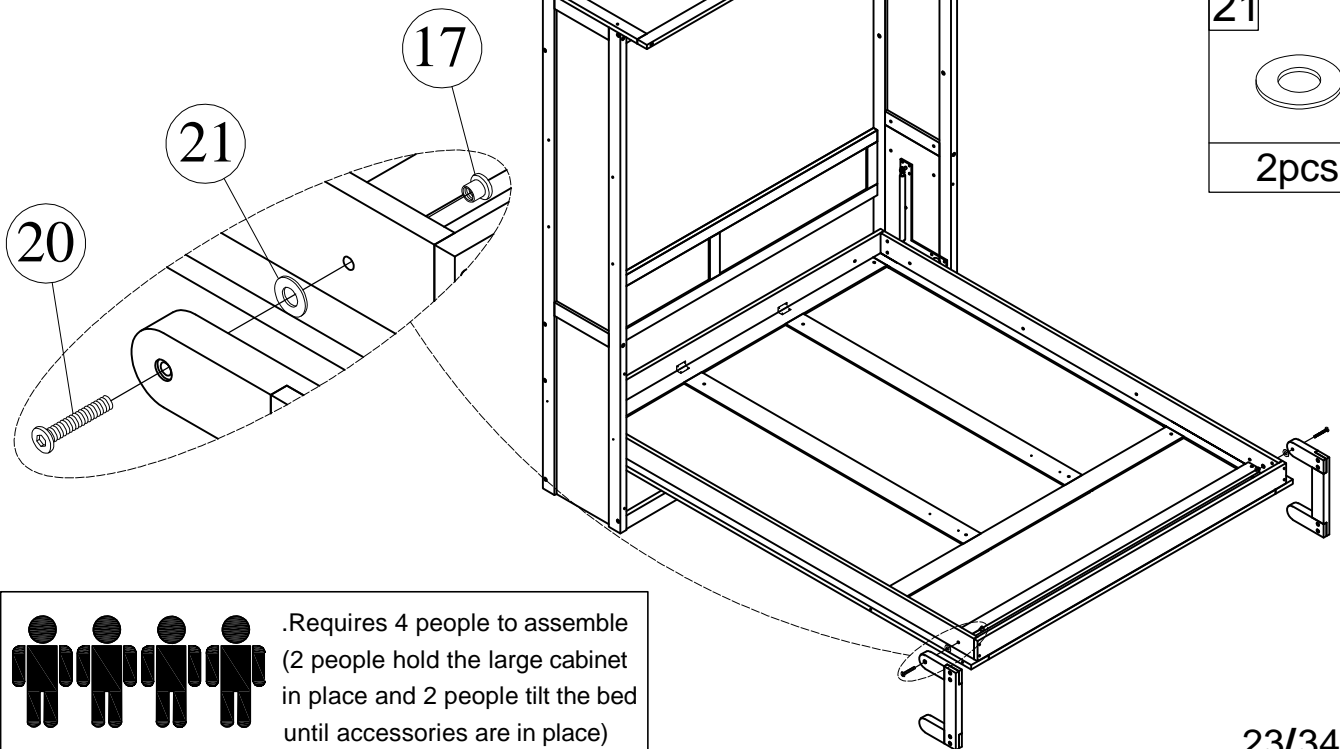
**STEP19:** Following below illustration.

17	18	19
		
8pcs	8pcs	8pcs



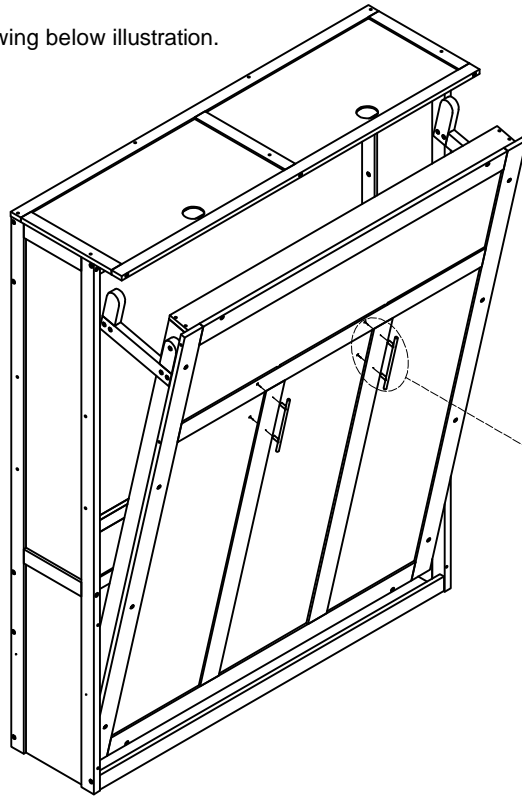
**STEP20:** Following below illustration.

17	20
	
2pcs	2pcs
	21
	
	2pcs

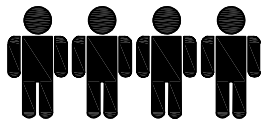
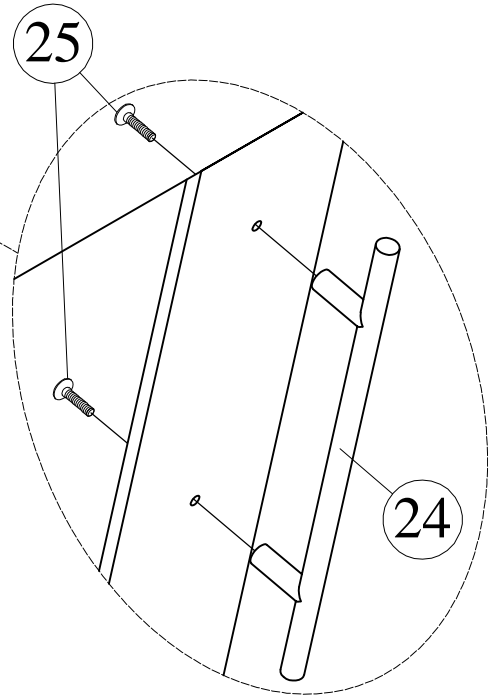


.Requires 4 people to assemble  
(2 people hold the large cabinet  
in place and 2 people tilt the bed  
until accessories are in place)

**STEP21:** Following below illustration.

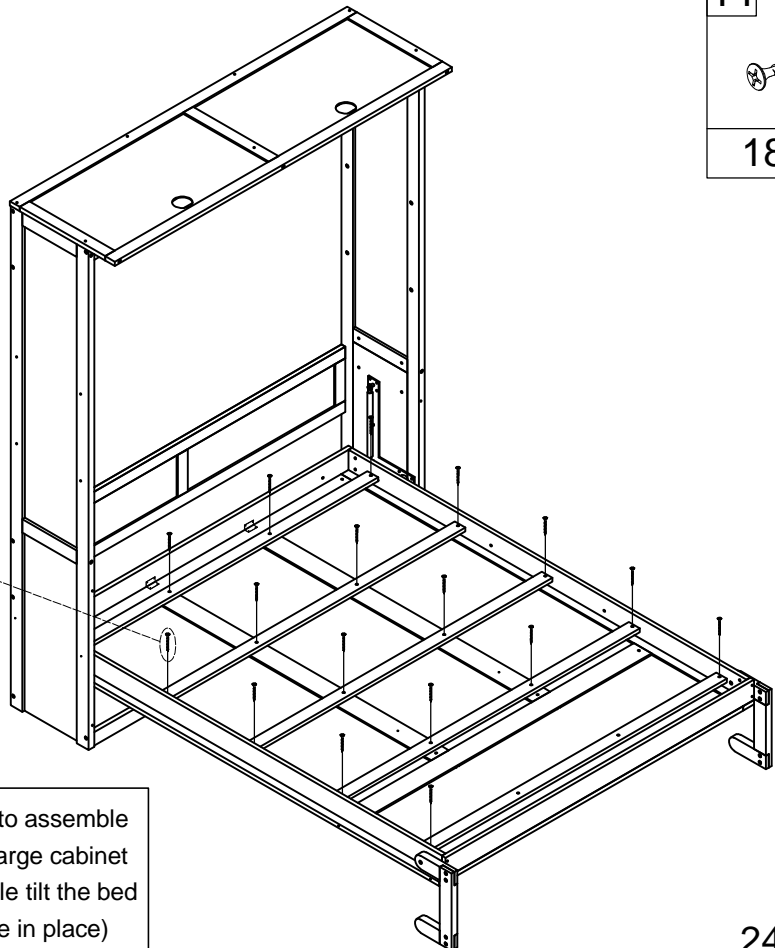


24	25
2pcs	4pcs

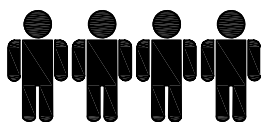
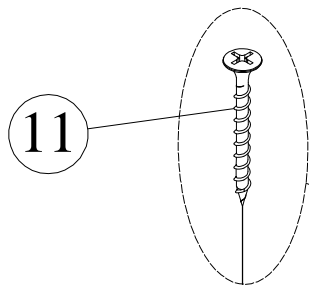


.Requires 4 people to assemble  
(2 people hold the large cabinet  
in place and 2 people tilt the bed  
until accessories are in place)

**STEP22:** Following below illustration.

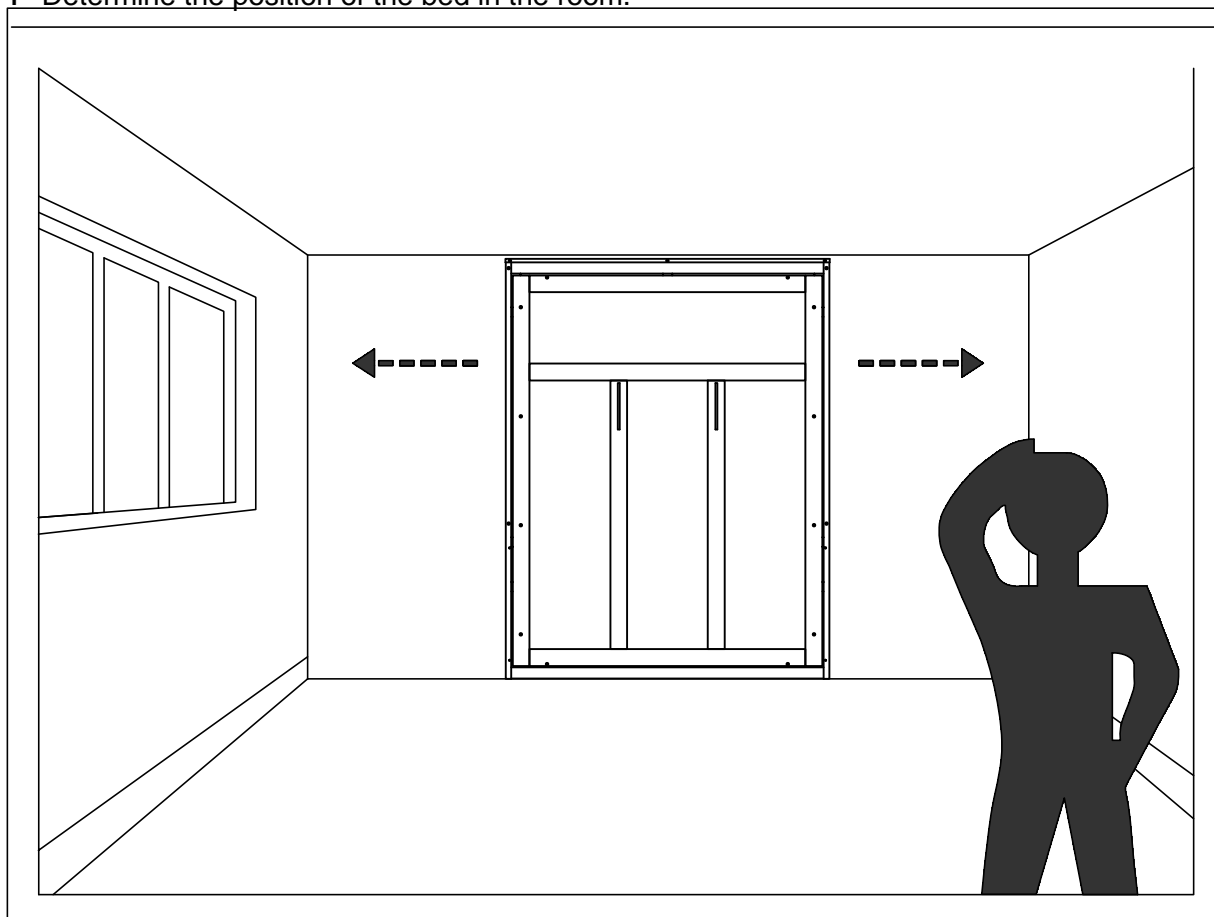


11
18pcs

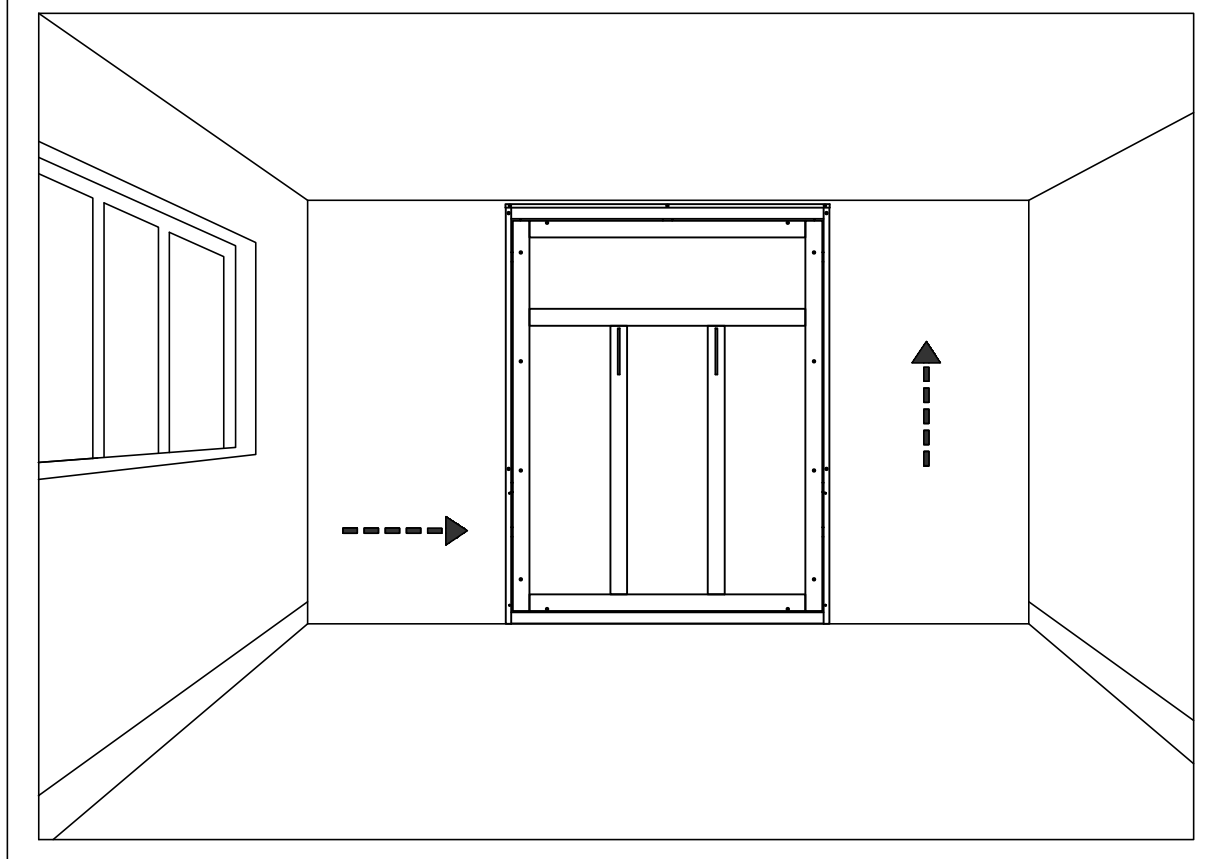


.Requires 4 people to assemble  
(2 people hold the large cabinet  
in place and 2 people tilt the bed  
until accessories are in place)

1- Determine the position of the bed in the room.

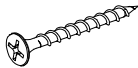


2- Put the bed back in its place. Please keep it vertical and horizontal.




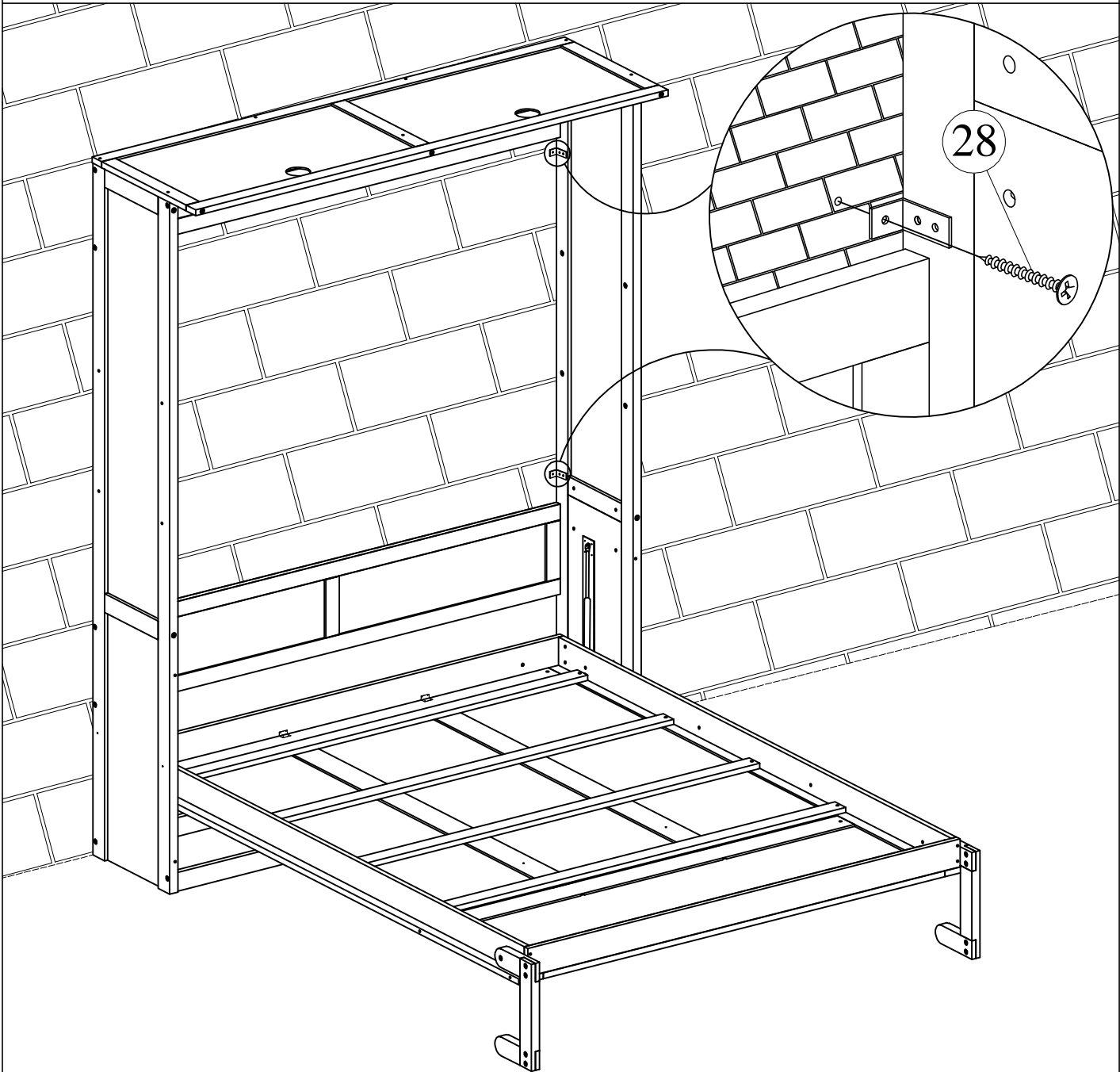
**STEP23:** Following below illustration.

28



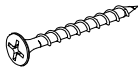
2pcs

 Four people are required to assemble and move this model.



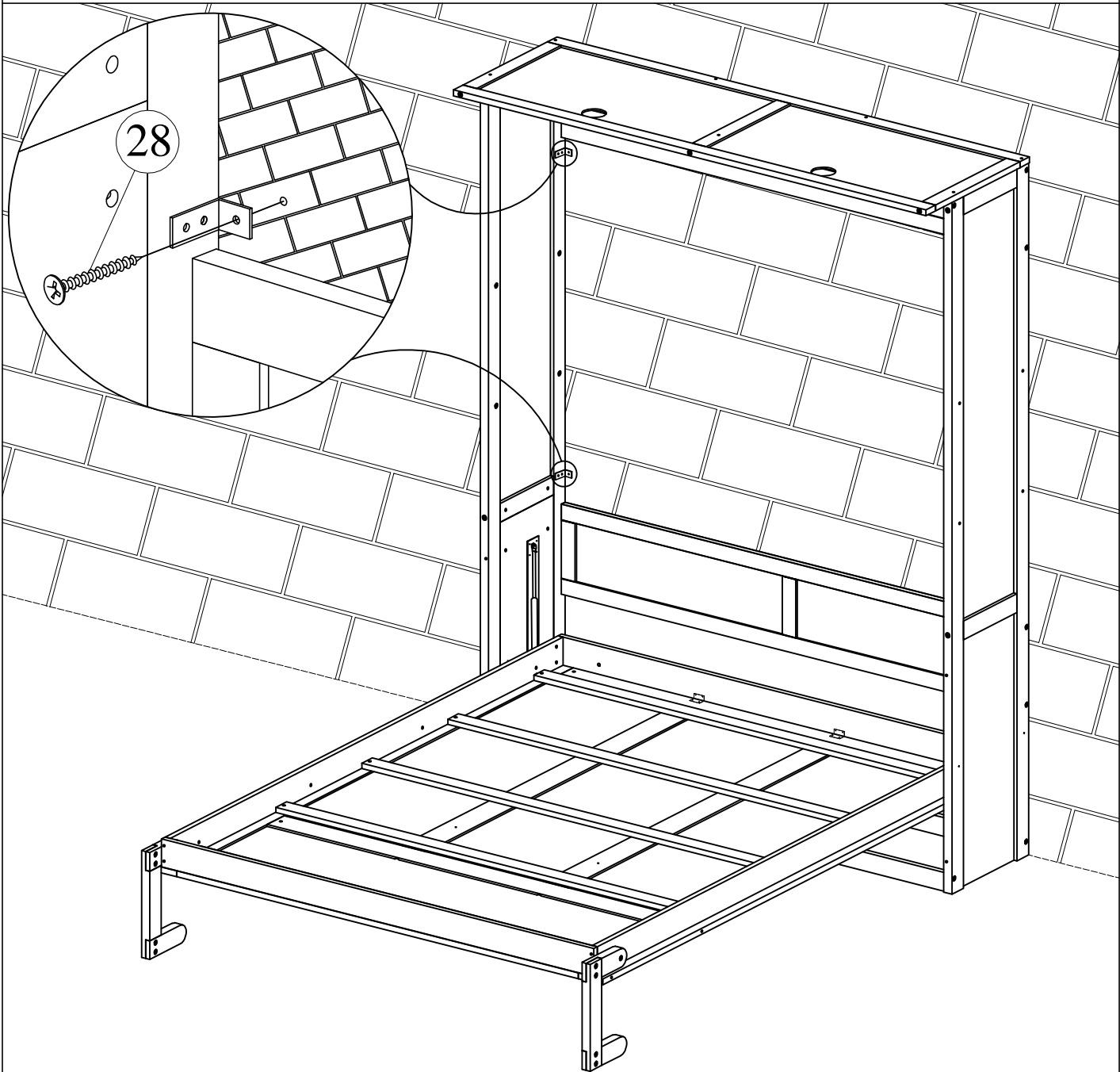
**STEP24:** Following below illustration.

28

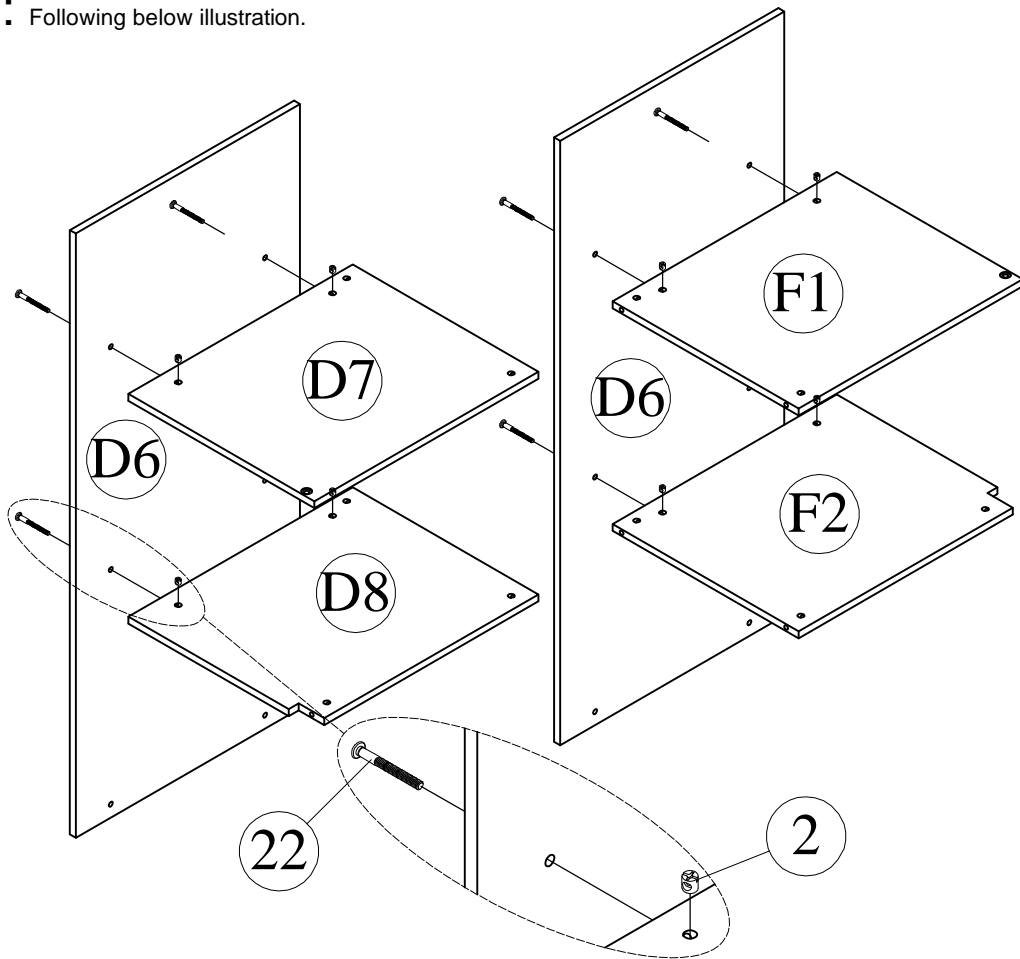




2pcs

Four people are required to assemble and move this model.

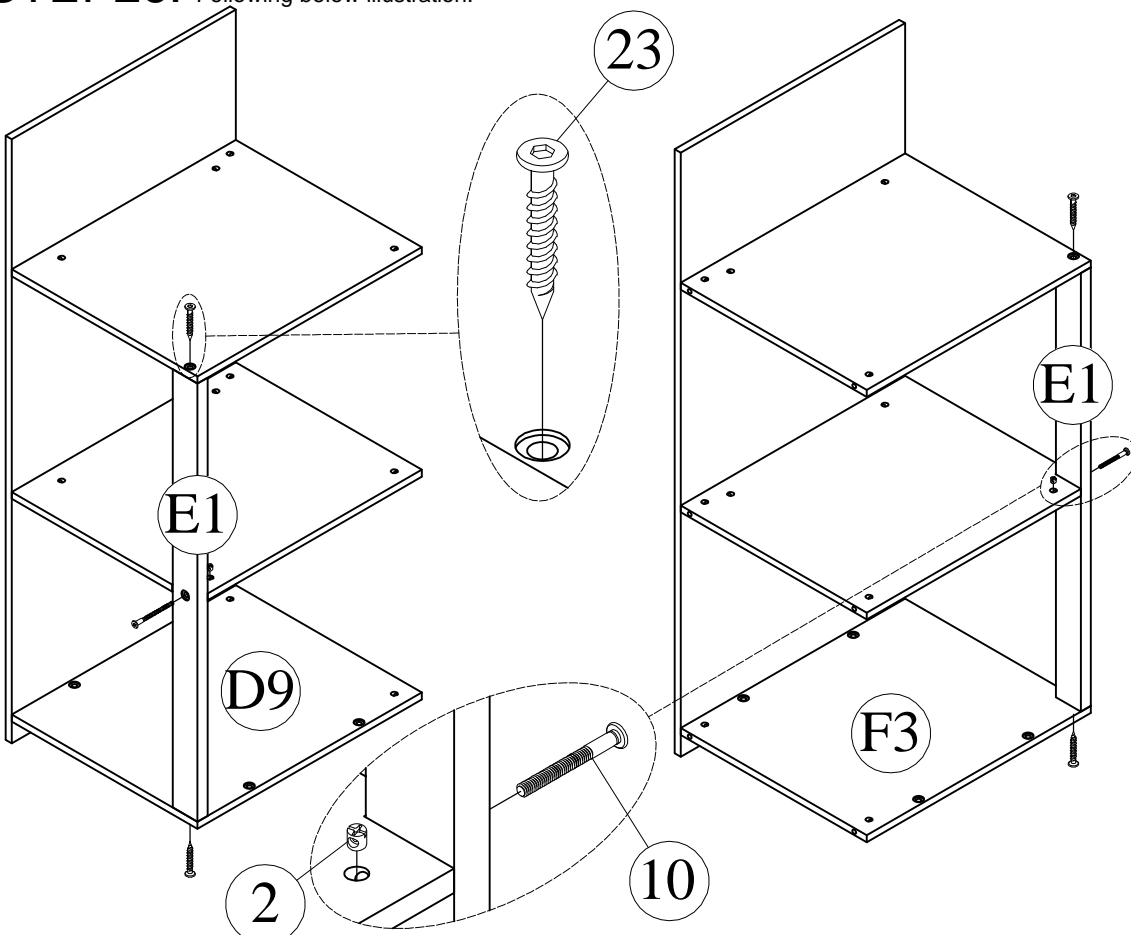





**STEP25:** Following below illustration.



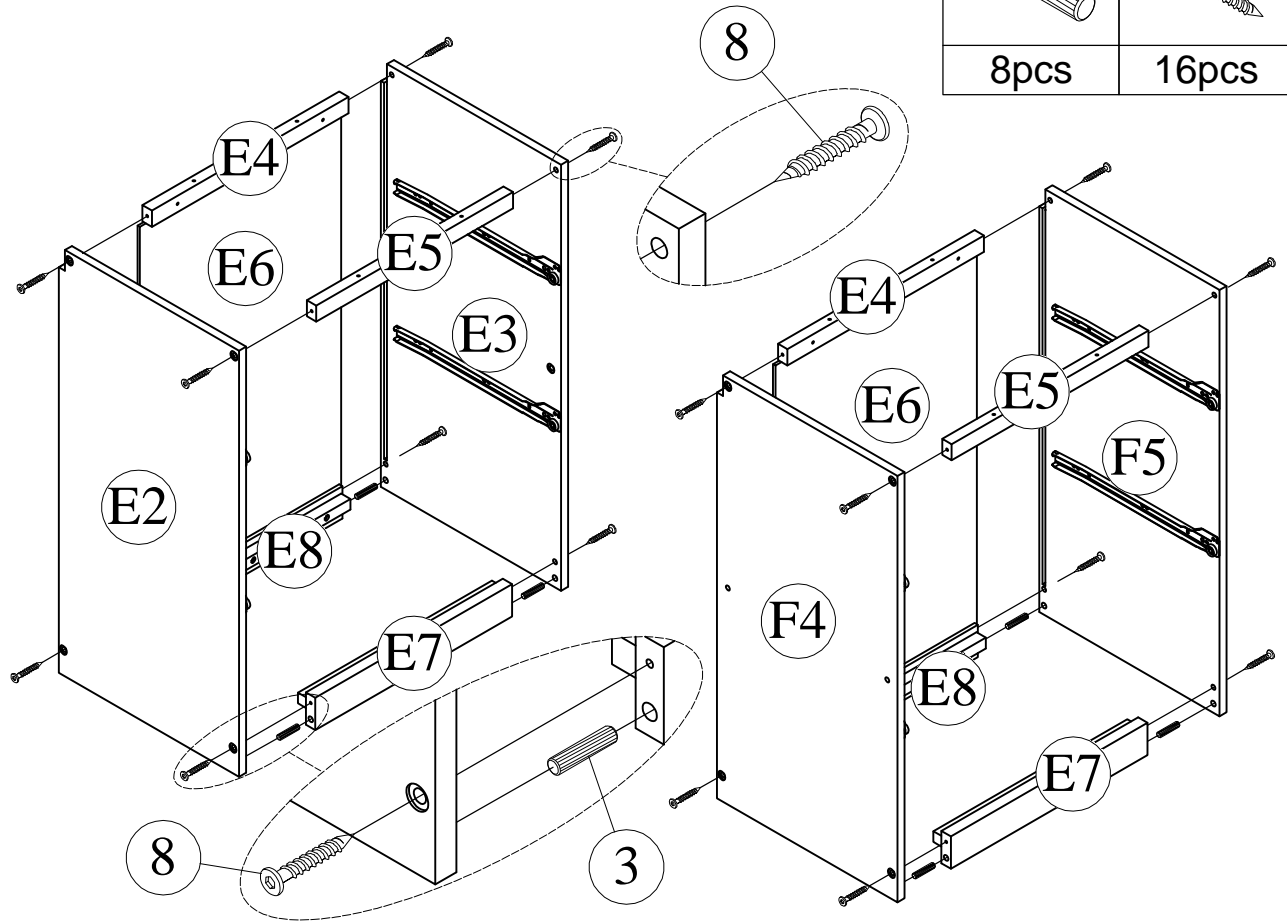
2	
8pcs	
22	
8pcs	

**STEP26:** Following below illustration.

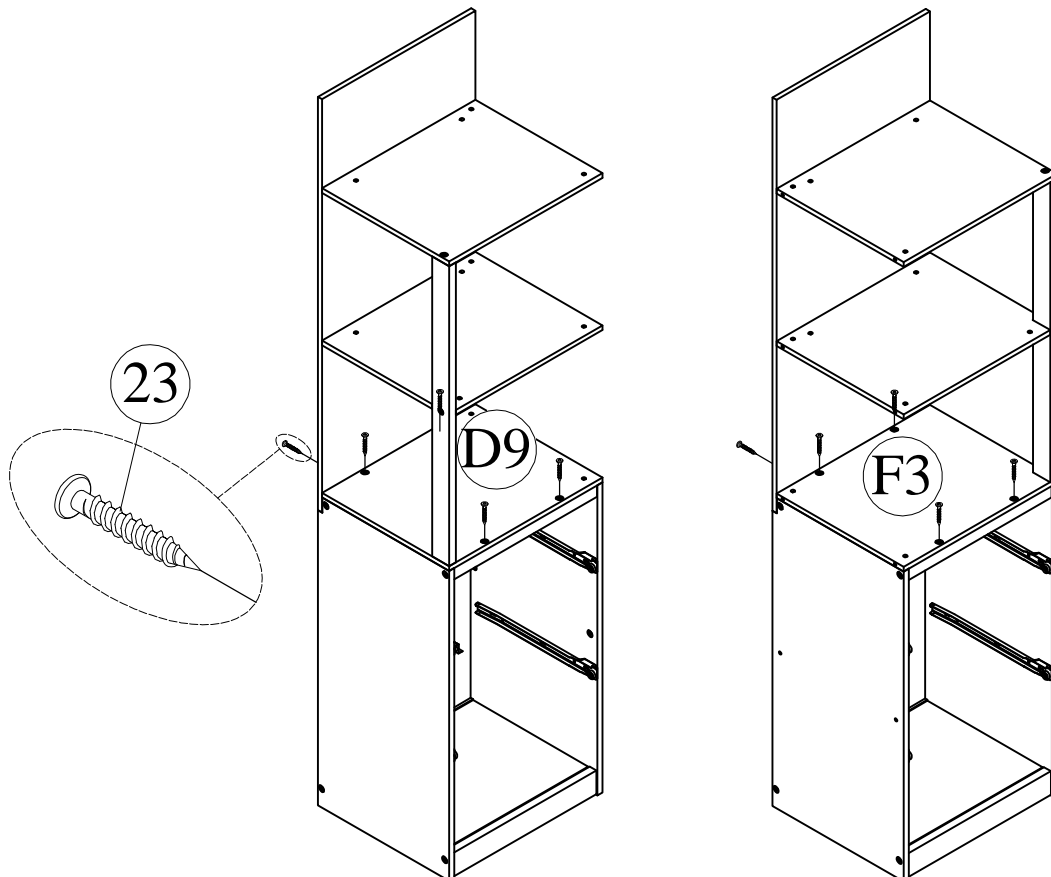


2	
2pcs	
10	
2pcs	
23	
4pcs	




**STEP27:** Following below illustration.

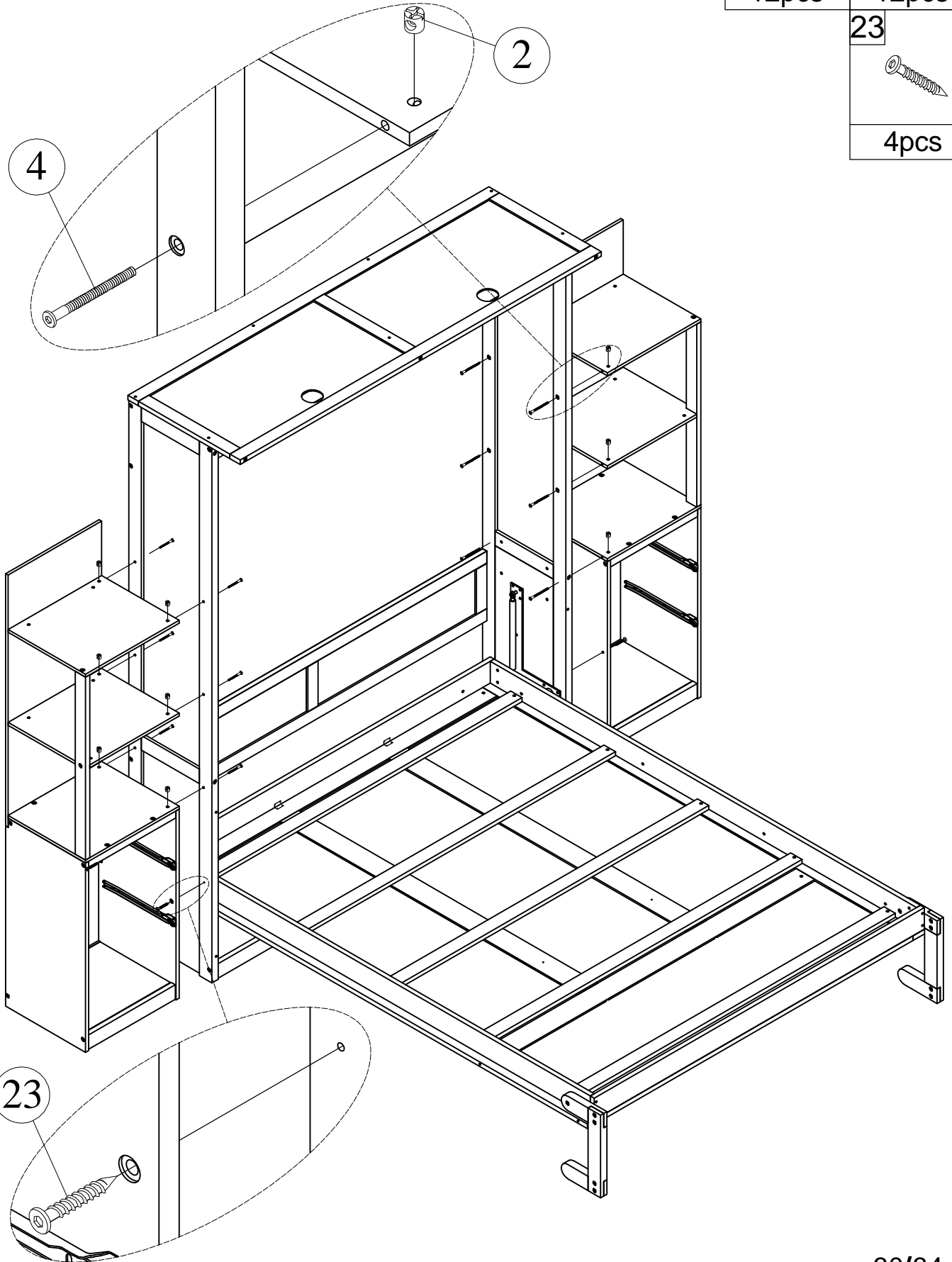


**STEP28:** Following below illustration.

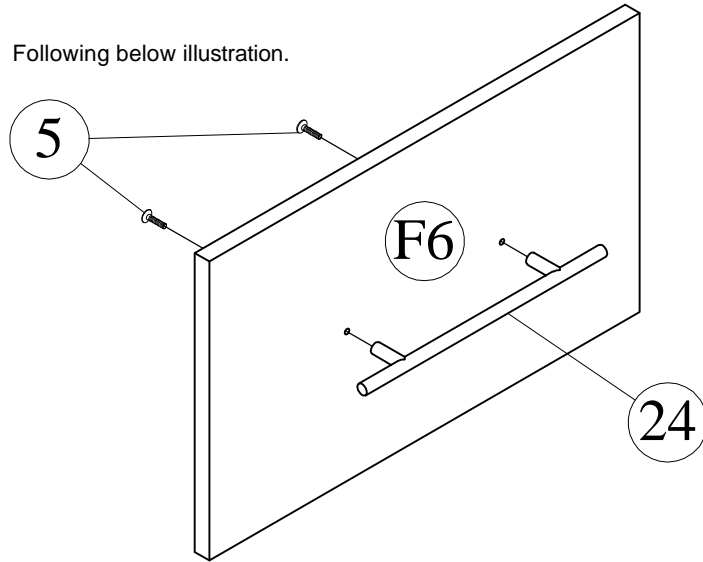


**STEP29:** Following below illustration.

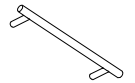
2		4	
12pcs		12pcs	
		23	
		4pcs	



**STEP30:x4** Following below illustration.



24



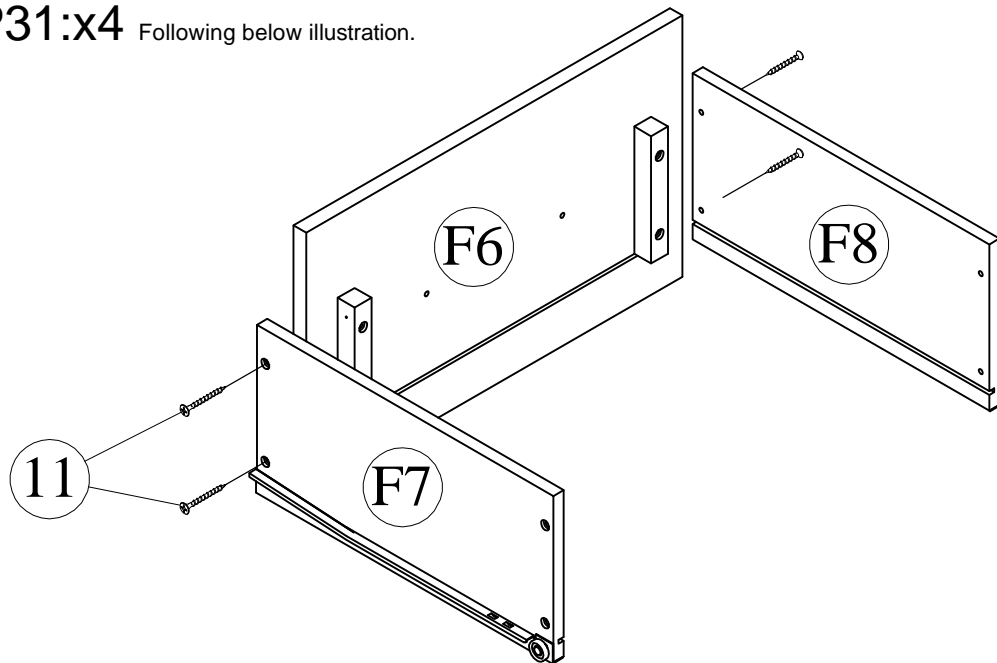
4pcs

5



8pcs

**STEP31:x4** Following below illustration.

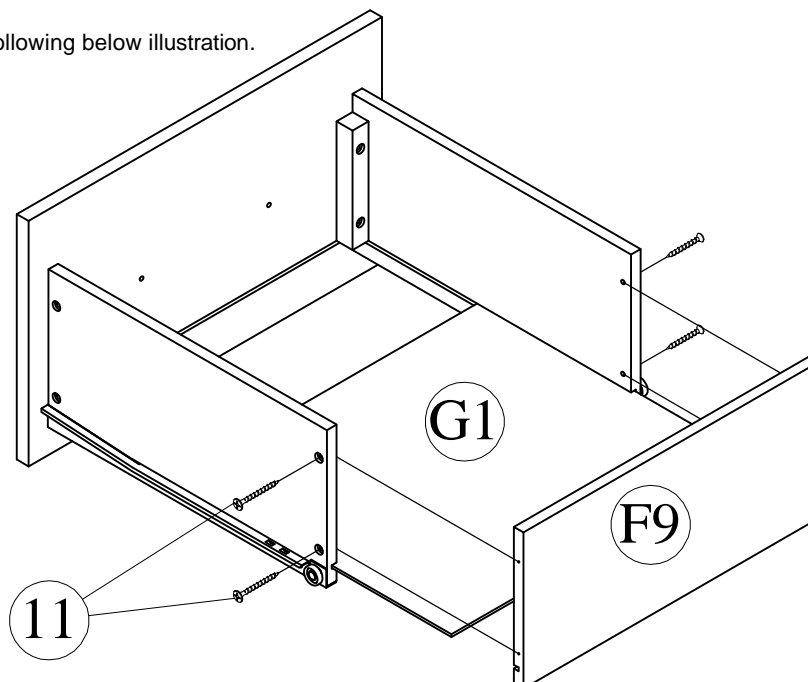


11



16pcs

**STEP32:x4** Following below illustration.

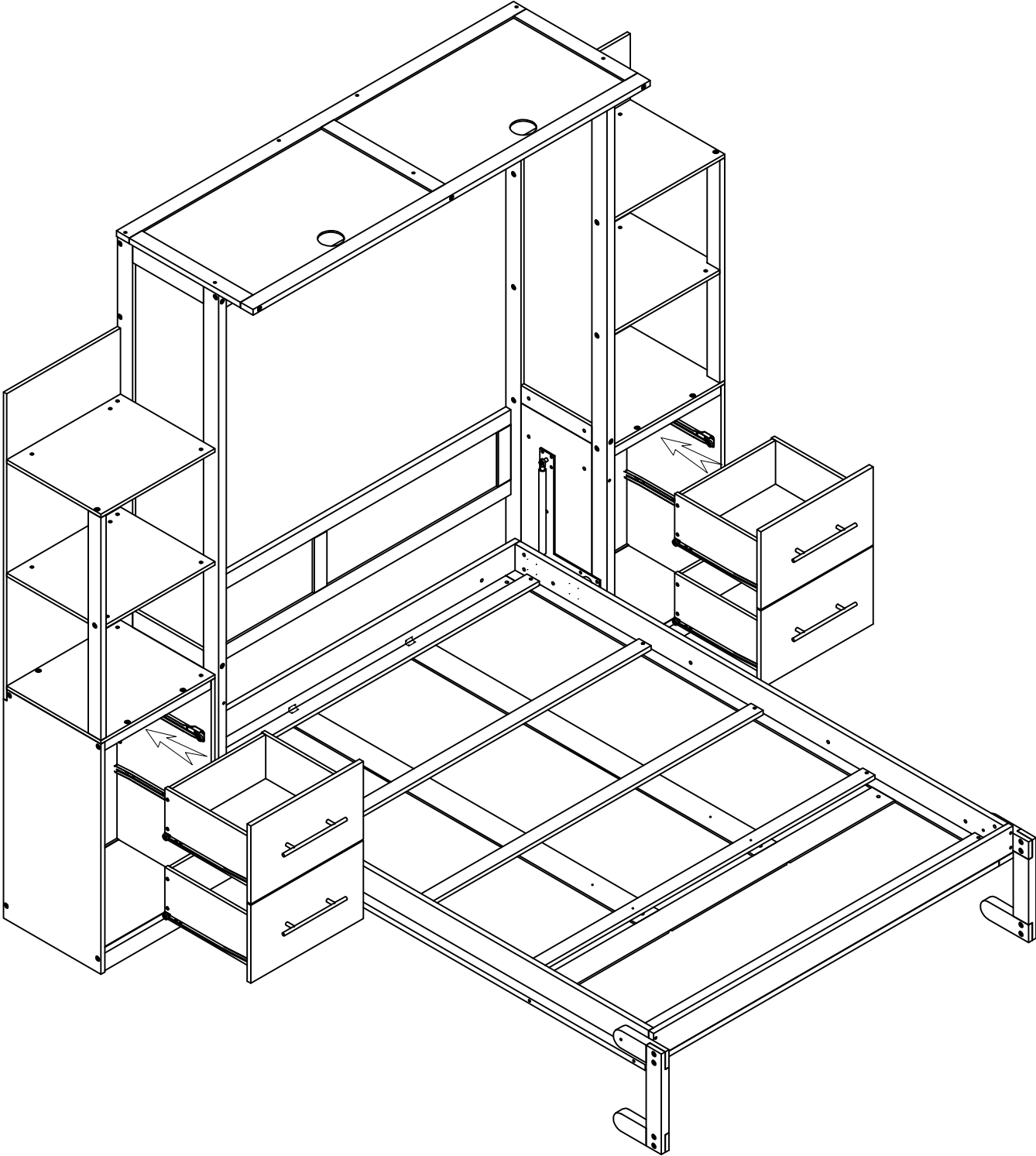


11

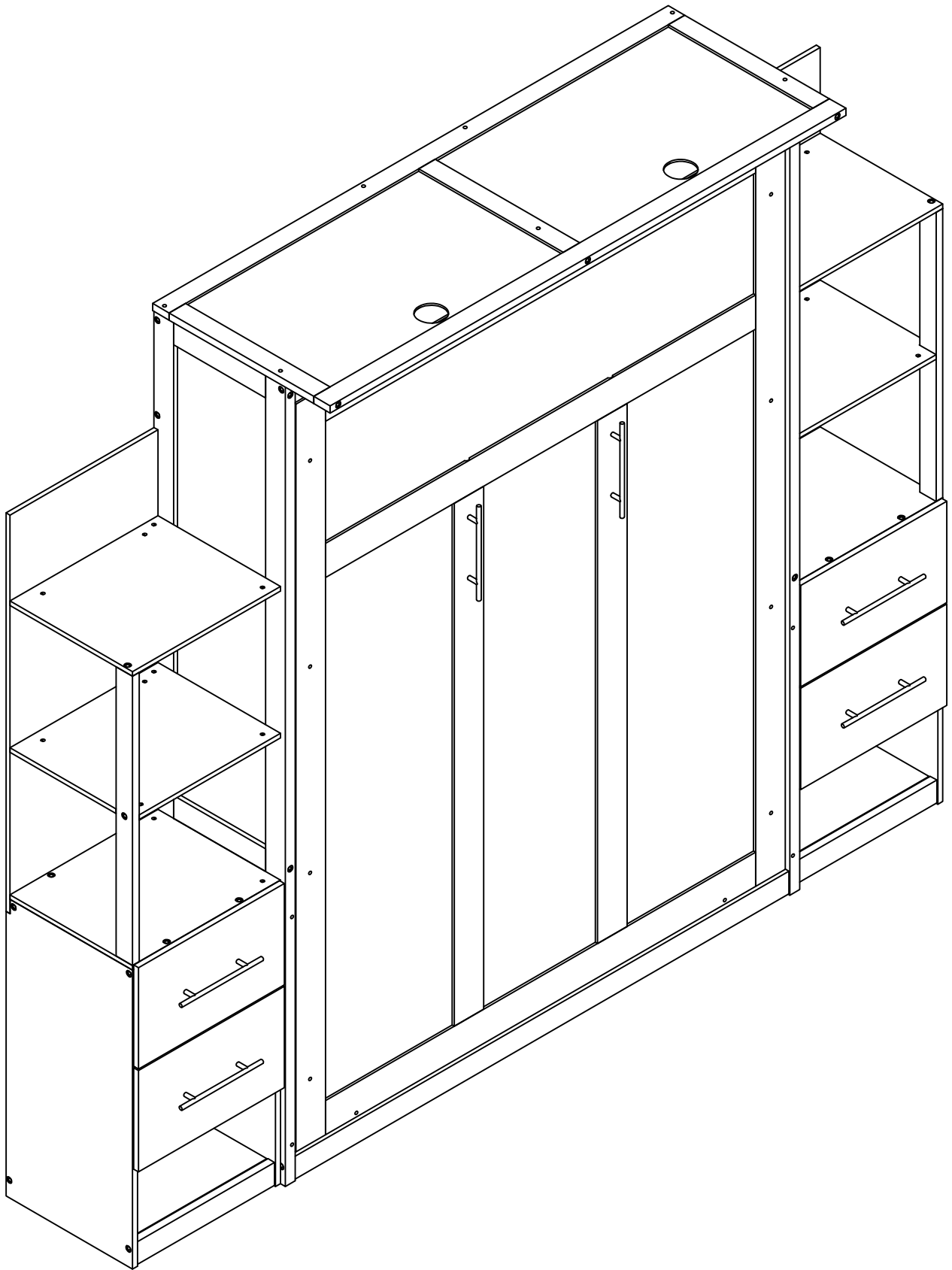


16pcs

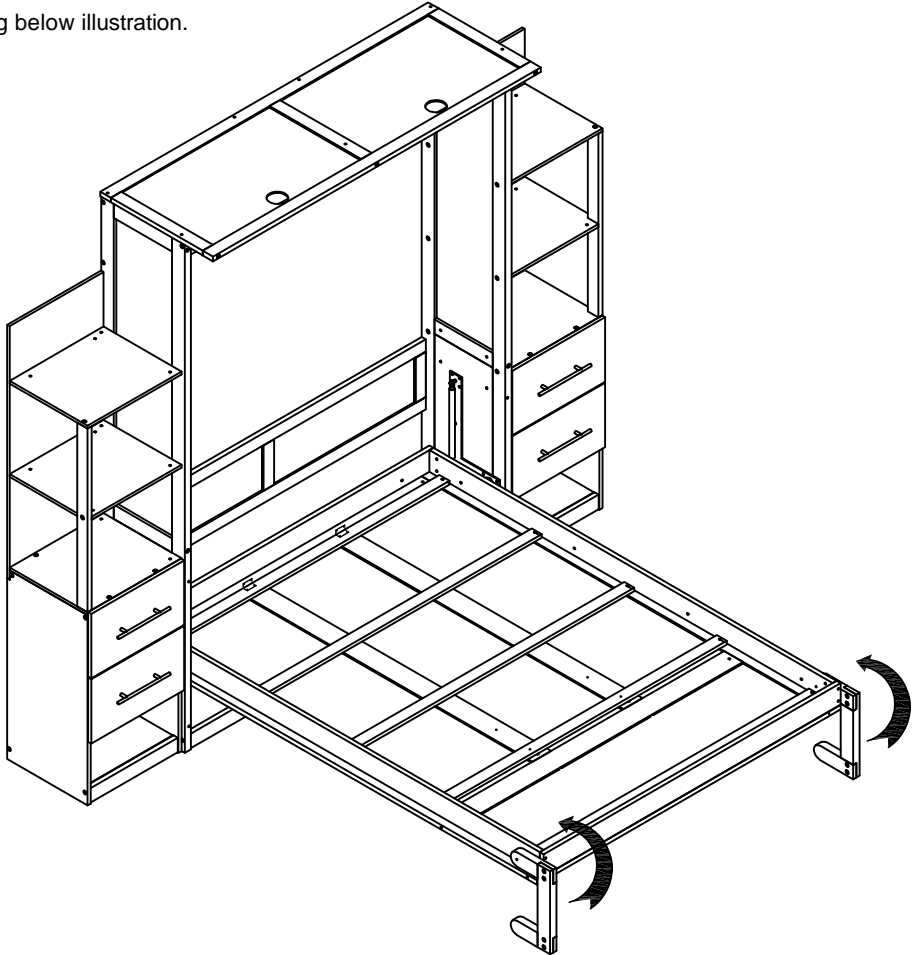
**STEP33:** Following below illustration.



# OPTION 2



**STEP34:** Following below illustration.



**STEP35:** Following below illustration.

