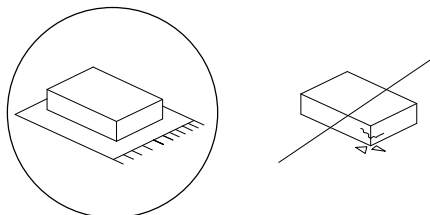

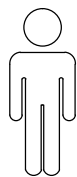
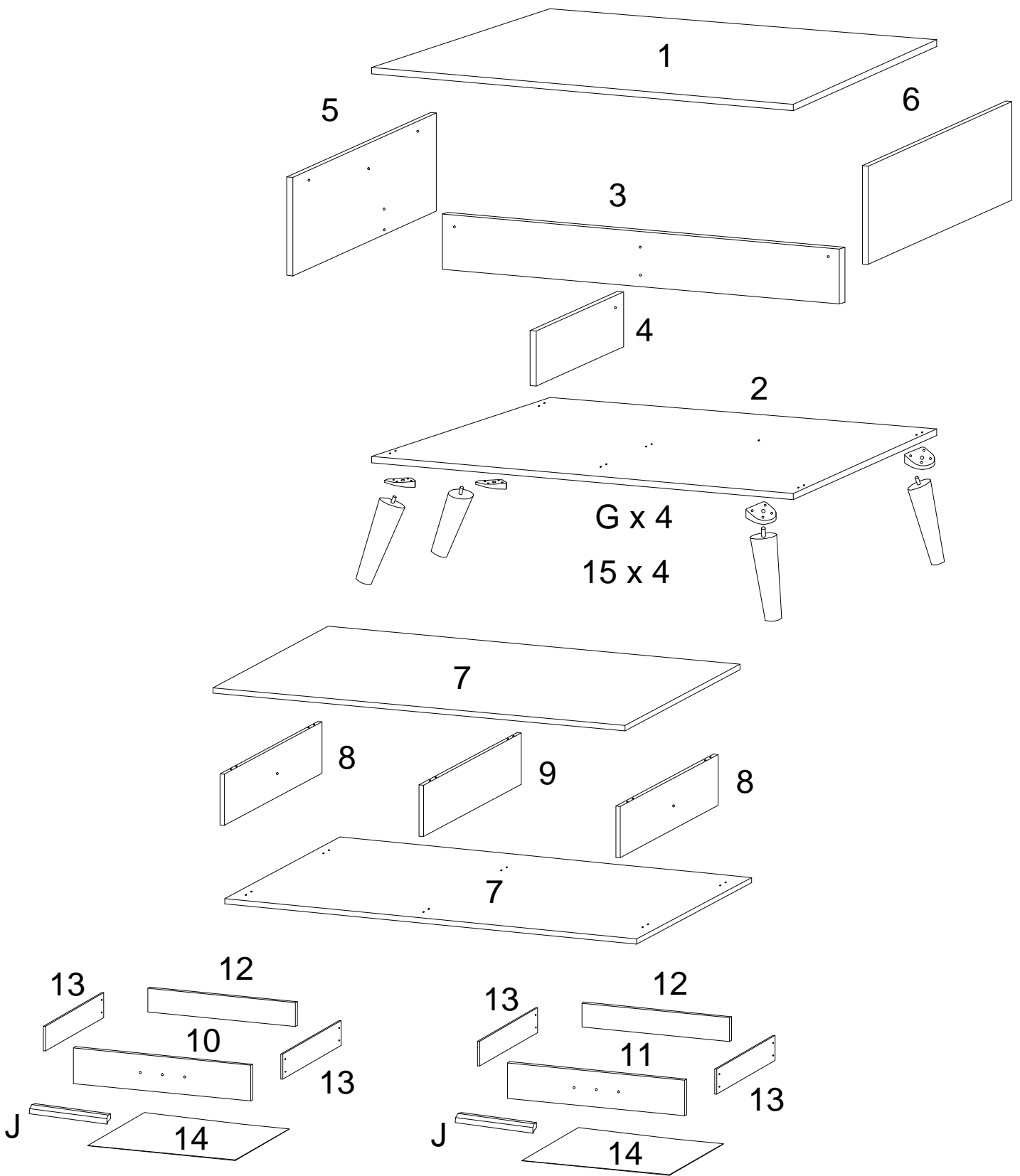
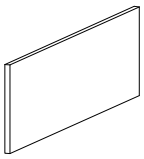

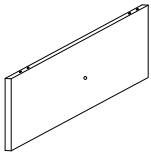
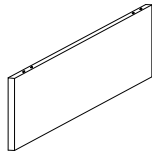
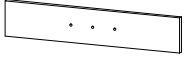
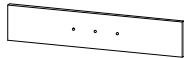

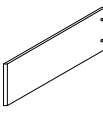


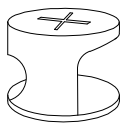

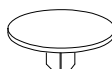
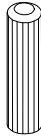
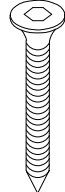
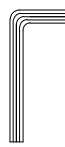
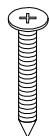
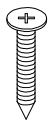
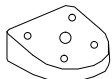
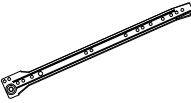
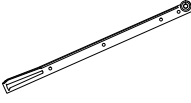
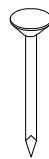

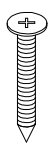
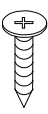

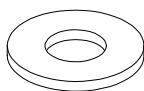

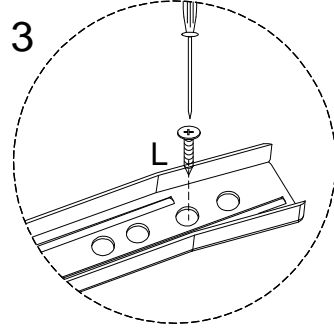
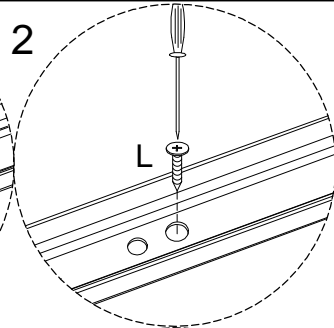
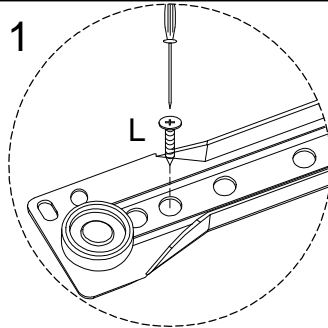
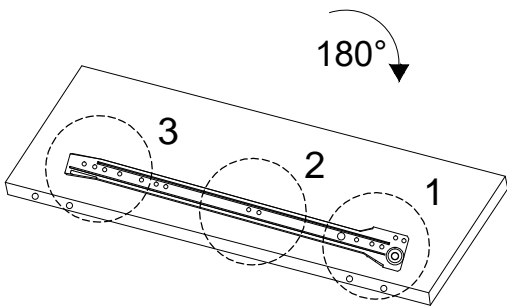
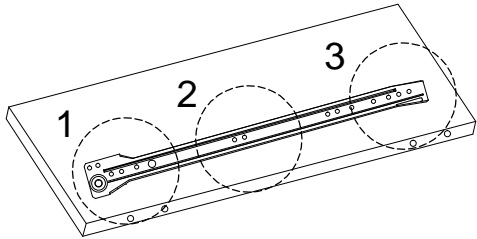
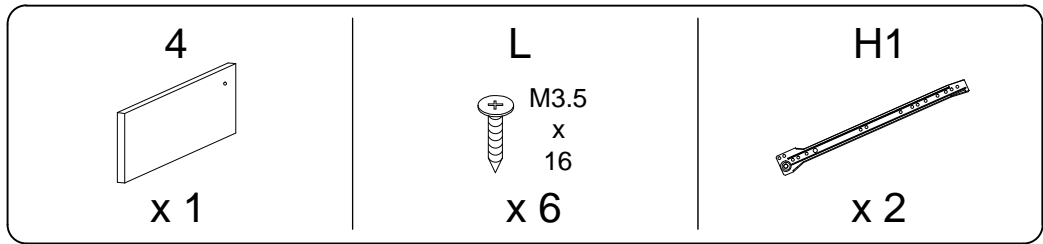

		60'
		
		2



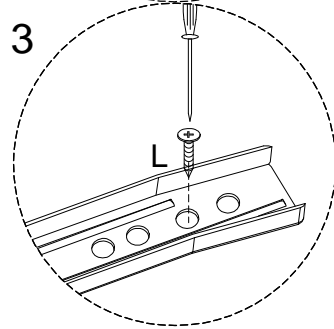
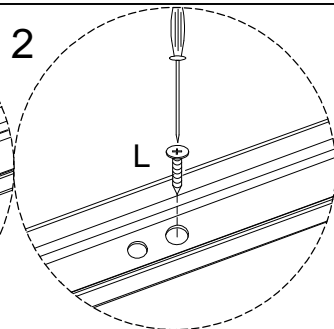
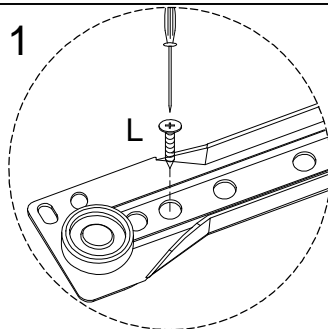
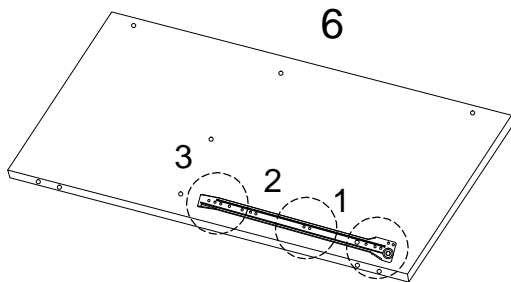
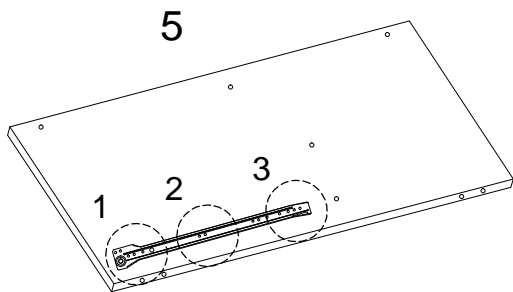
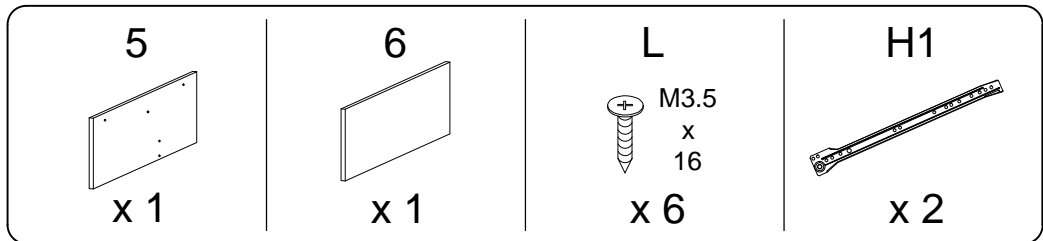
1	2	3	4	5
x 1	x 1	x 1	x 1	x 1

6  x 1	7  x 2	8  x 2	9  x 1	10  x 1	
11  x 1	12  x 2	13  x 4	14  x 2	15  x 4	
A1  x 7	A2  x 7	A3  x 7	B  Ø8 x 30 x 13	C  M6 x 50 x 8	D  x 1
E  M4 x 38 x 28	F  M4 x 20 x 16	G  x 4	H1  x 4	H2  x 4	I  x 20
J  x 2	K  M4 x 45 x 6	L  M3.5 x 16 x 24	M  M6 x 25 x 2	N  x 2	O  Ø6 x 30 x 12

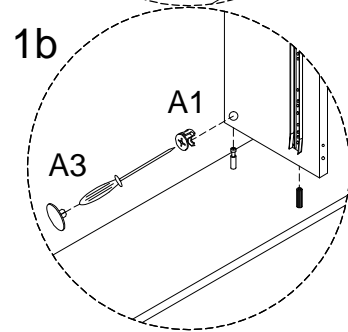
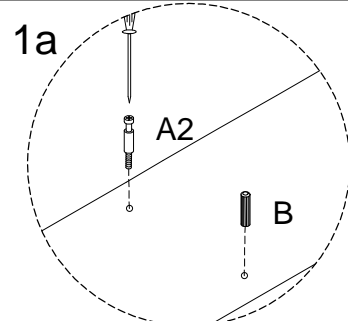
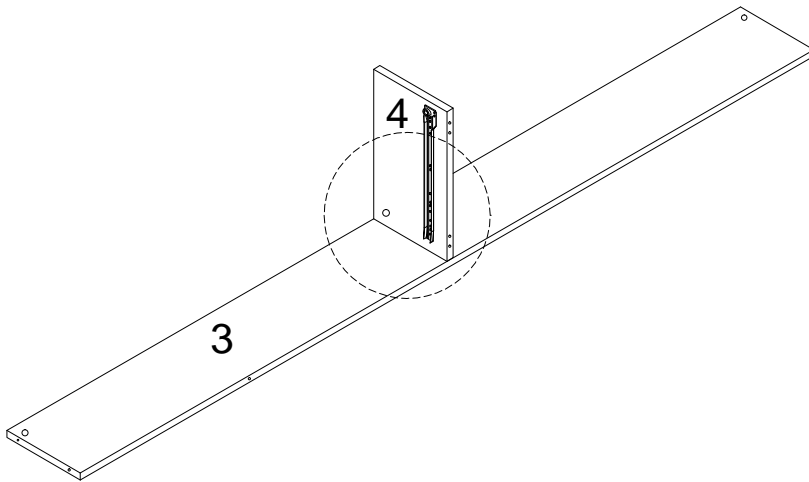
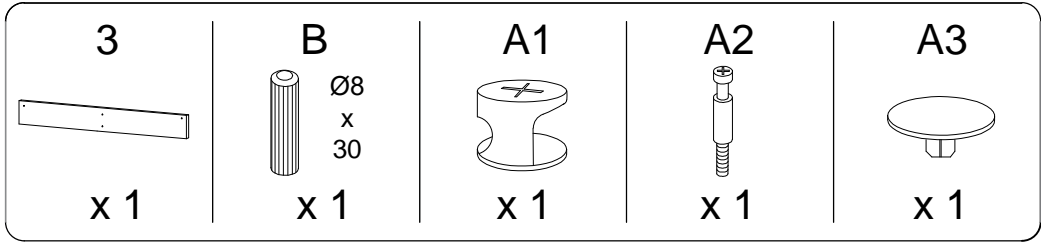
1



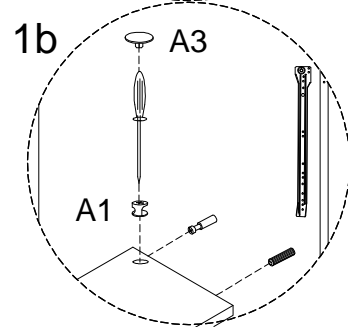
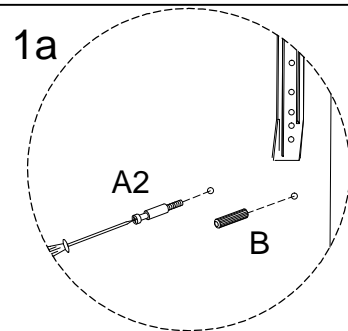
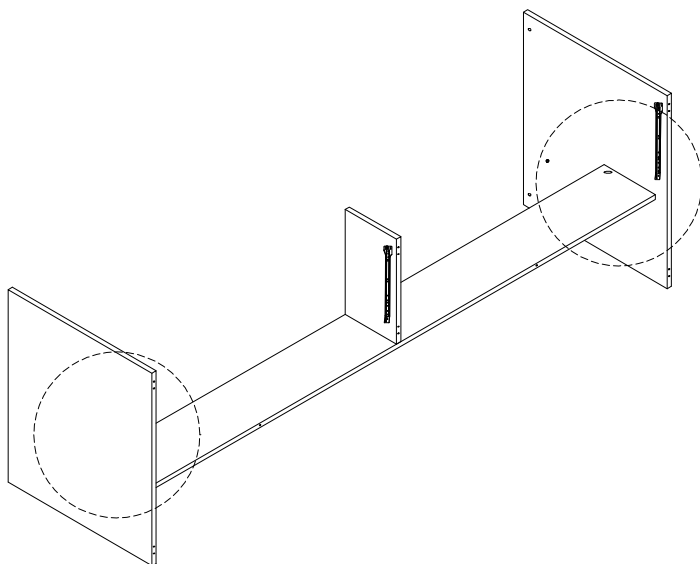
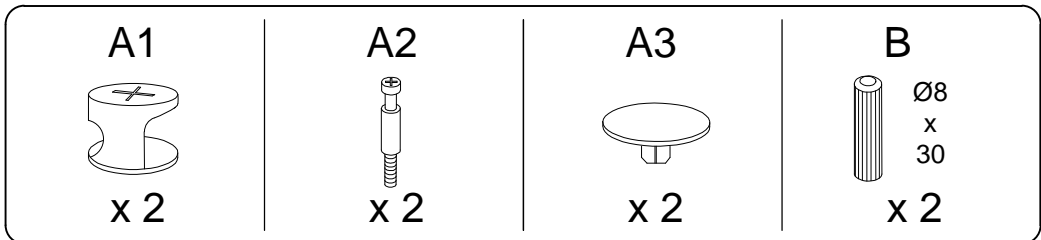
2






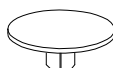

3

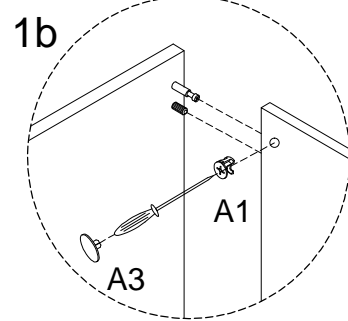
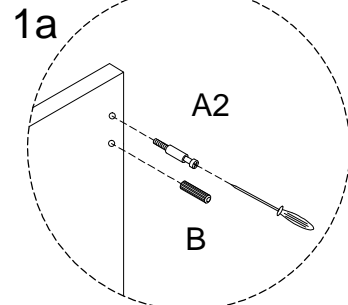
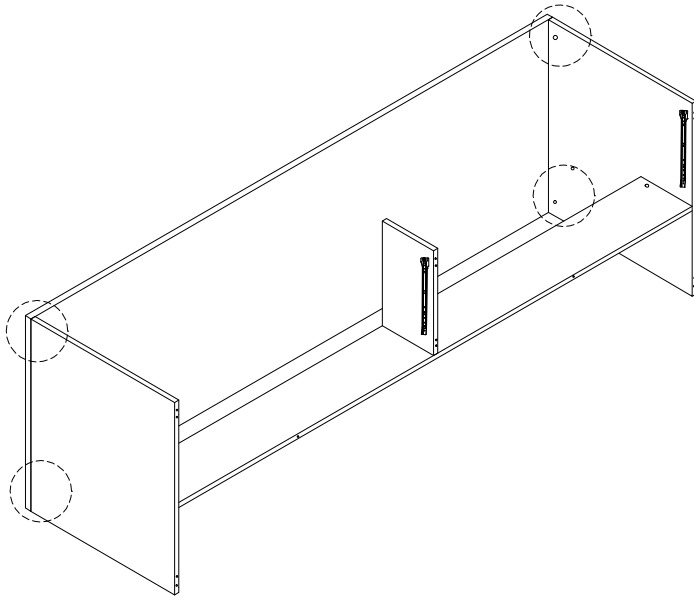


4



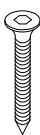



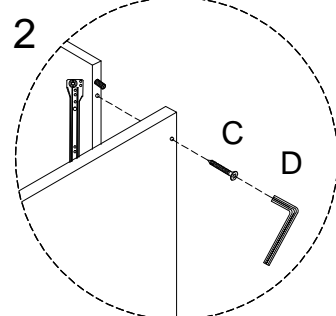
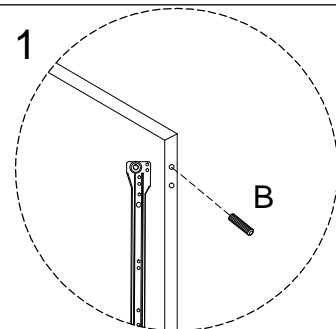
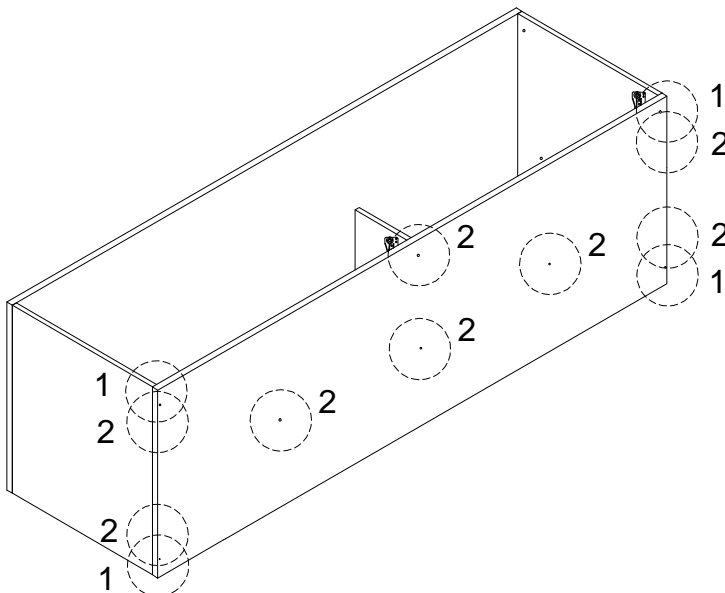
5

1  x 1	A1  x 4	A2  x 4	A3  x 4	B  Ø8 x 30 x 4
--	---	---	---	---



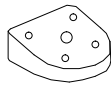
6

2  x 1	B  Ø8 x 30 x 6	C  M6 x 50 x 8	D  x 1
--	---	--	--



7

G



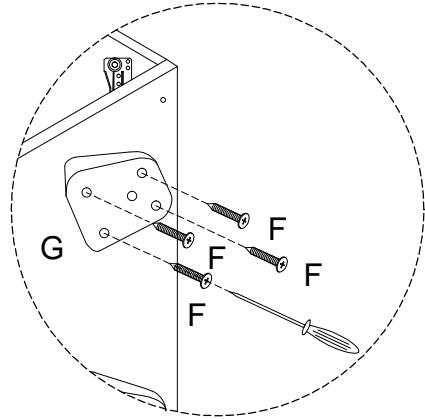
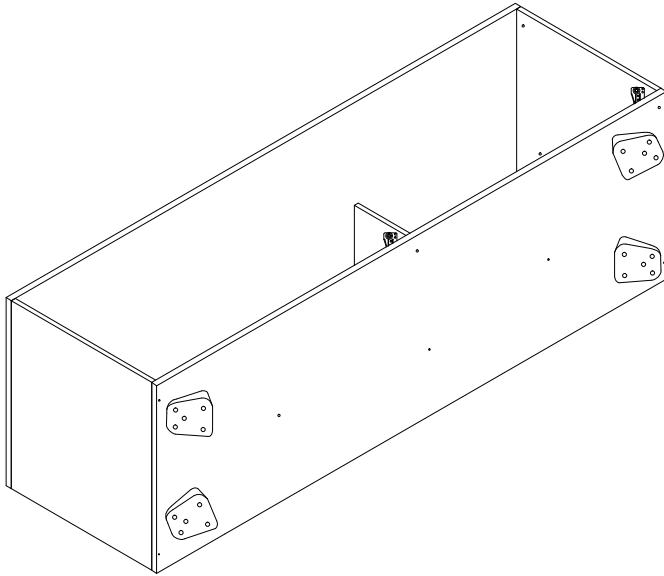
x 4

F



M4
x
20

x 16

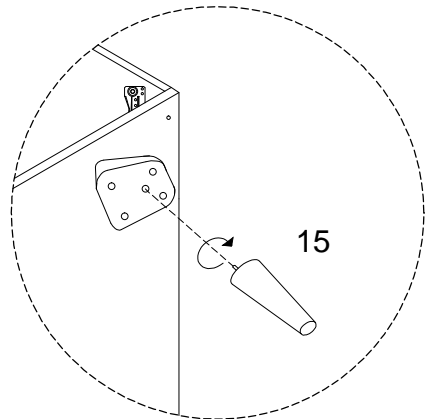
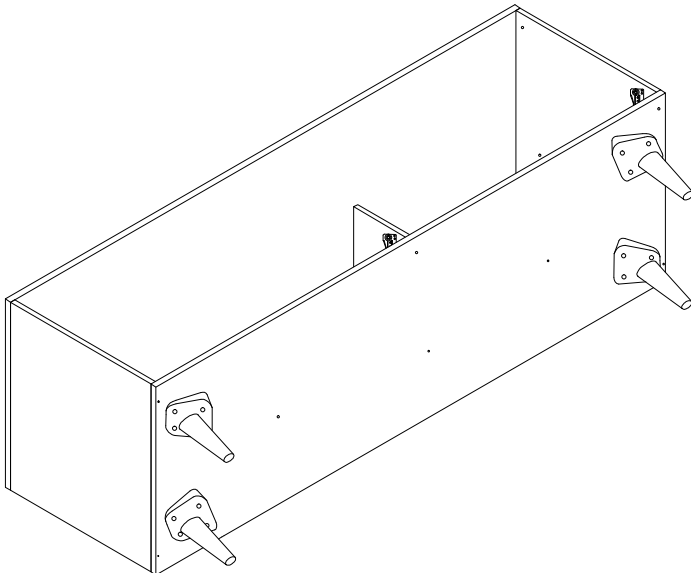


8

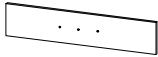
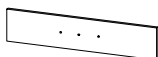

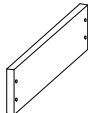
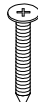
15

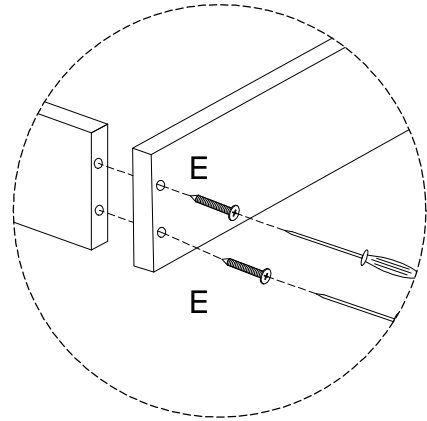
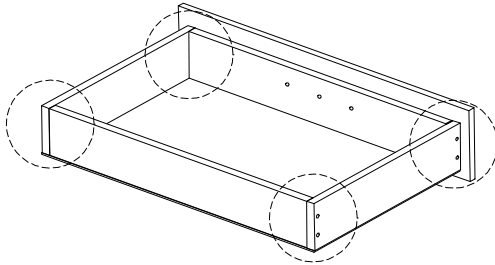
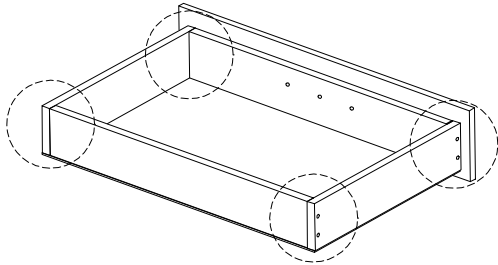


x 4





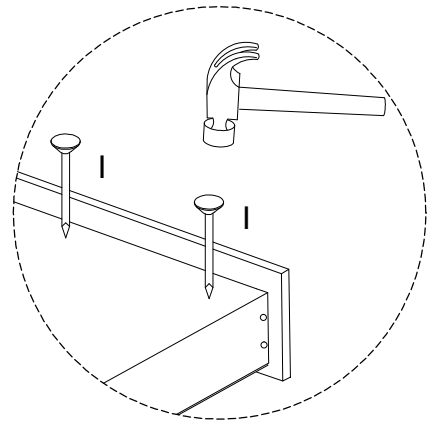
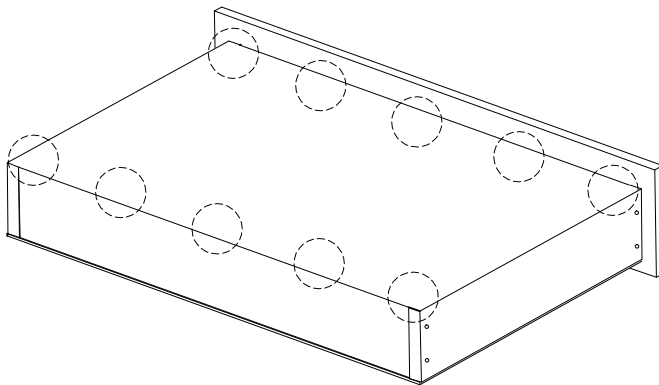
9

10  x 1	11  x 1	12  x 2	13  x 4	E  M4 x 38 x 16
--	--	--	--	---



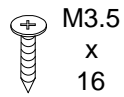
10x2

14  x 1	I  x 10
--	--



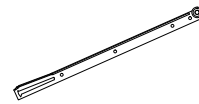
11x2

L

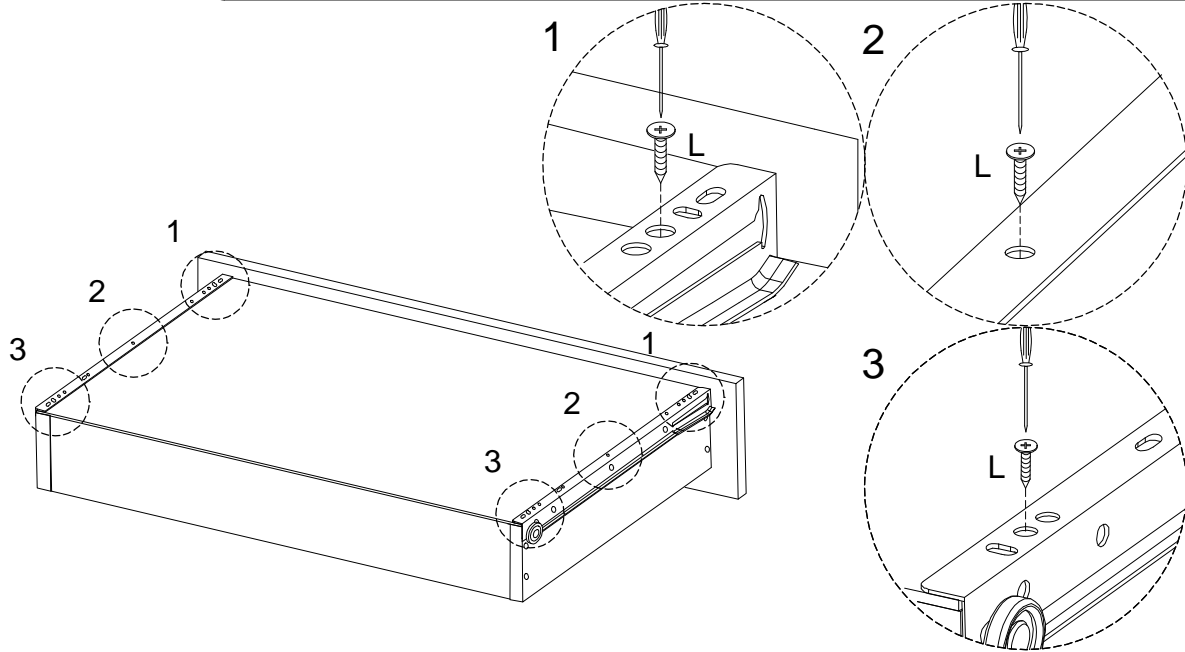


x 6

H2

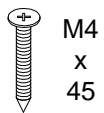


x 2



12x2

K

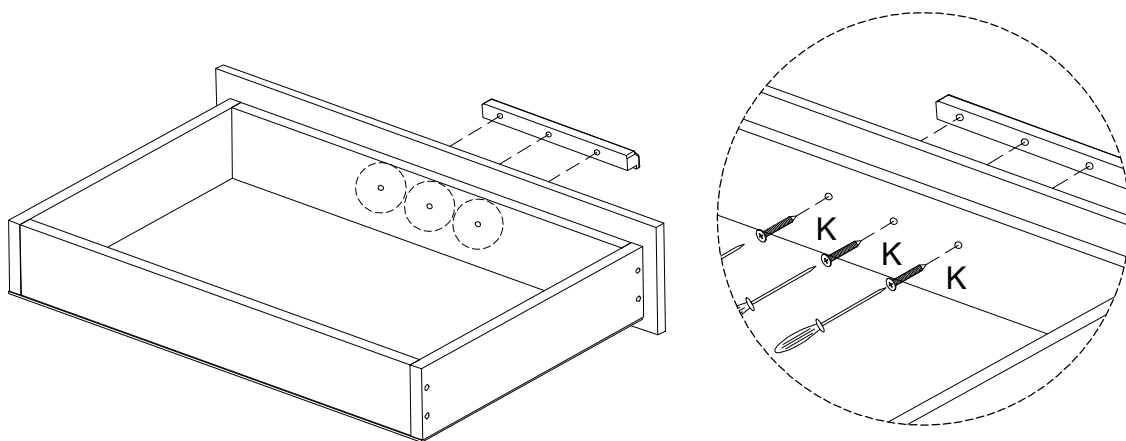


x 3

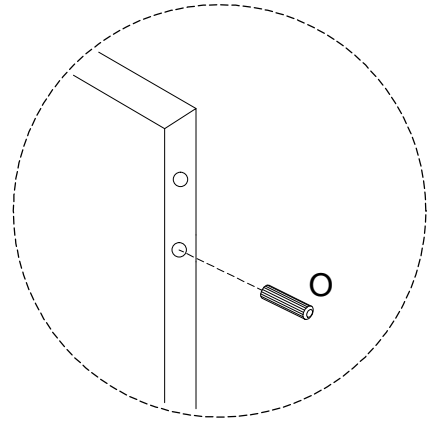
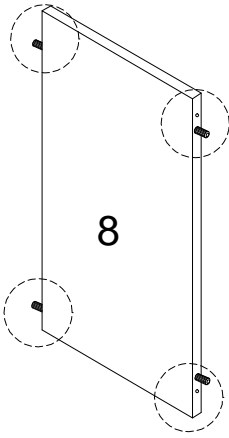
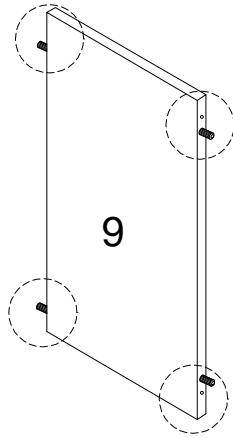
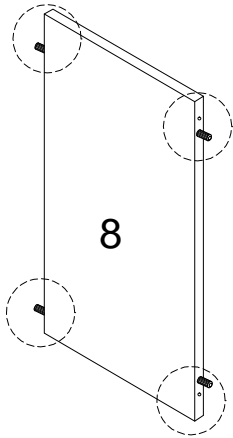
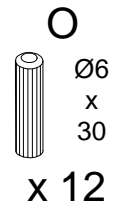
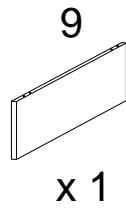
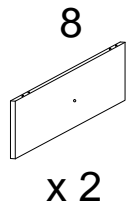
J



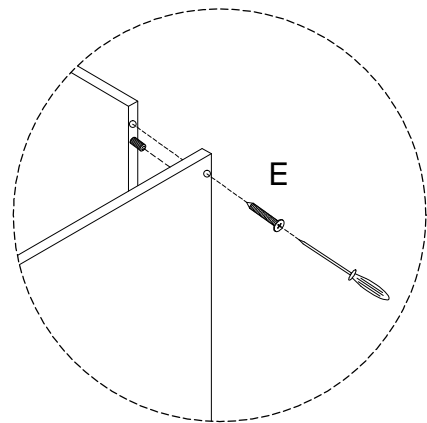
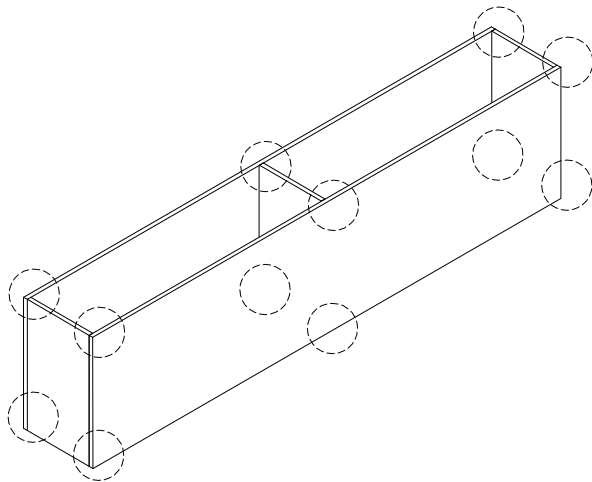
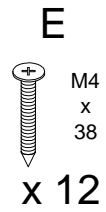
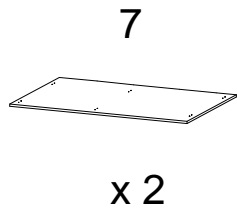
x 1



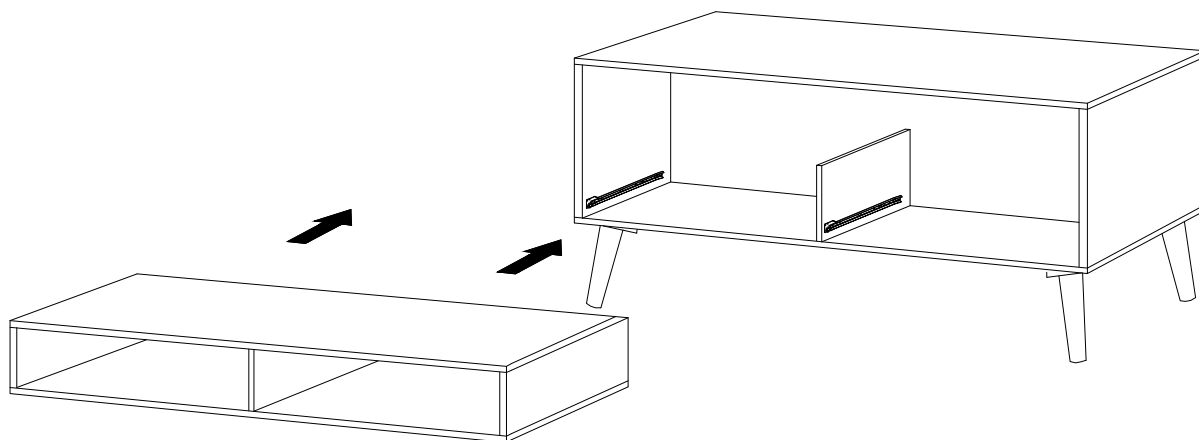
13



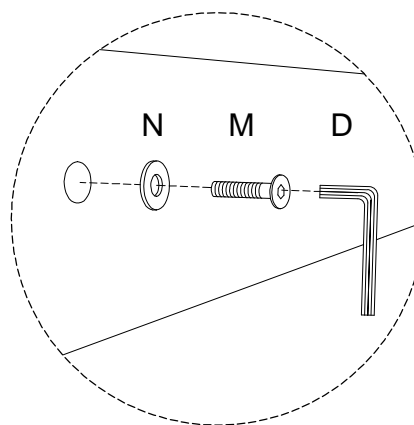
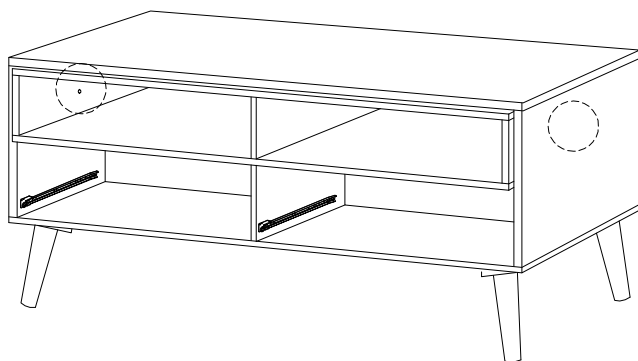
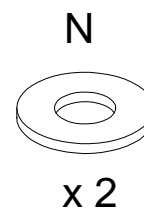
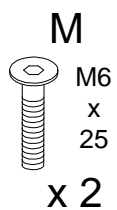
14



15



16



17

