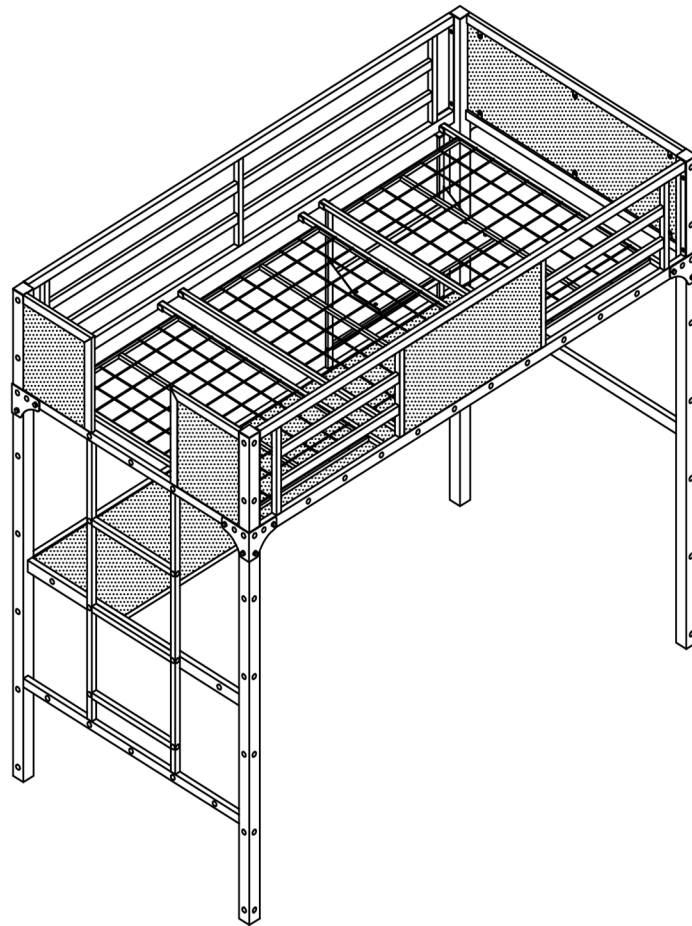


Assembly Instructions



ASSEMBLY RATING

The Assembly Rating is a 5-point system that shows the degree of effort needed in assembling a specific product (with 1 being easy and 5 being difficult). For some products, two persons are recommended.

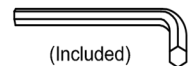
EASY



DIFFICULT

Tools Required For Assembly:

Allen Wrench

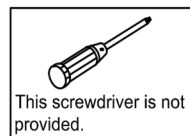


(Included)

Wrench



(Included)



This screwdriver is not provided.

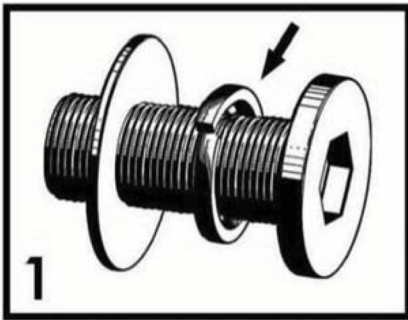


2 PERSONS RECOMMENDED

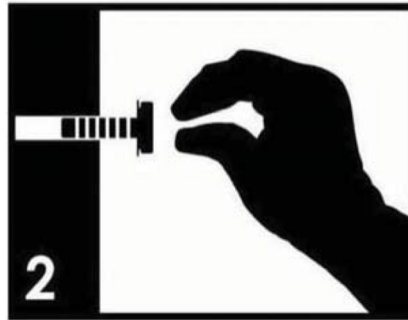
ASSEMBLY & CARE ADVICE

FOR YOUR FURNITURE TO LAST, CORRECT ASSEMBLY AND PROPER MAINTENANCE ARE NECESSARY. PLEASE FOLLOW THE INFORMATION PROVIDED BELOW TO FULLY ENJOY YOUR FURNITURE.

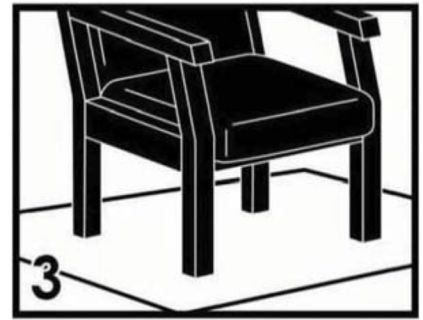
BASIC ASSEMBLY TECHNIQUES



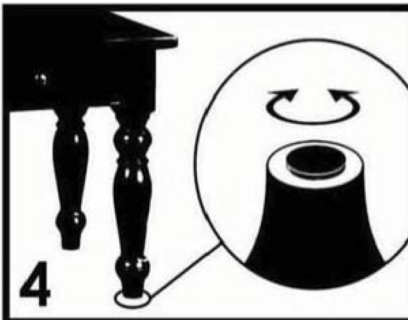
When lock or spring washer is used in an assembly, please make sure the lock or spring washer is placed between the larger flat washer and the head of the screw or bolt.



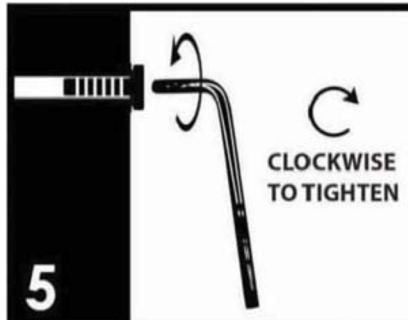
Position each part correctly and insert screws or bolts into their respective holes by hand tighten or using the proper hand tool. Only tighten when step is completed or when instructed to do so.



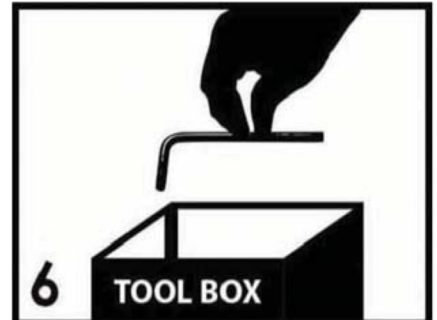
Use cardboard or carpet area when assembling furniture to prevent scratches. Make sure the furniture rests on a flat and level surface with each leg evenly touching the floor.



Some furniture comes with height adjustment knobs underneath each leg. To lower or to raise each leg, you need to turn clockwise or counterclockwise, respectively.



Make sure all parts are properly aligned, then use the appropriate hand tool to completely tighten the bolts or screws. Do not use power tools and do not overtighten.

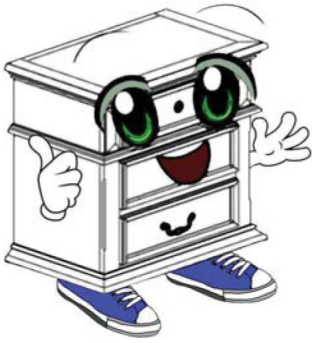


Save the instructions and store the Allen wrench or any supplied tool for later maintenance. After two weeks, check and tighten any loose hardware and repeat again every six months thereafter.

IT IS THE USER'S RESPONSIBILITY TO MAINTAIN THE FURNITURE. THE HARDWARE MAY LOOSEN OVER TIME AND MAY CAUSE THE FURNITURE TO BE WOBBLY AND UNABLE TO SUPPORT ITS INTENDED WEIGHT CAPACITY. THIS MAY LEAD TO COLLAPSE AND MAY CAUSE SERIOUS INJURY.



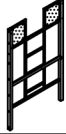
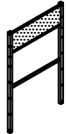
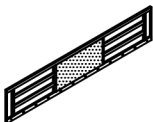
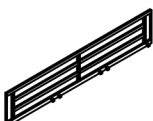


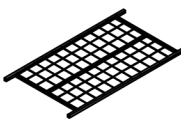
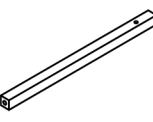

FAILURE TO FOLLOW THE GUIDELINES ABOVE MAY RESULT IN INJURY AND/OR PROPERTY DAMAGE.





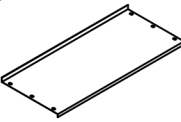
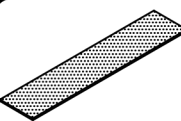
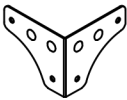
Before you begin, please read Page 2 of "Assembly and Care Advice".

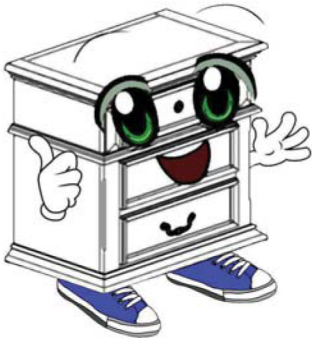
And remember, do not tighten until each step is completed or instructed.

Parts List

-  #1 x 1pc
Left Panel
-  #2 x 1pc
Right Panel
-  #3 x 1pc
Front Panel
-  #4 x 1pc
Back Panel
-  #5 x 1pc
Back Support Rail
-  #6 x 1pc
Desk Top Support Bar
-  #7 x 3pcs
Base Frame
-  #8 x 4pcs
Connected Bar
-  #9 x 1pc
Support Bar 1

Parts List










-  #10 x 1pc
Support Bar 2
-  #11 x 1pc
Cross Bar
-  #12 x 1pc
Board Frame
-  #13 x 1pc
Desk Board
-  #14 x 4pcs
Garnish




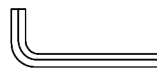
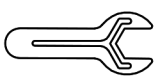
Before you begin, please read Page 2 of "Assembly and Care Advice".

And remember, do not tighten until each step is completed or instructed.

Hardware List

-  #A x 16pcs
Bolt $\text{Ø}1/4$ "x $5/8$ "
-  #B x 8pcs
Bolt $\text{Ø}1/4$ "x $3/4$ "
-  #C x 2pcs
Bolt $\text{Ø}1/4$ "x $1-1/4$ "
-  #D x 10pcs
Bolt $\text{Ø}1/4$ "x $1-3/4$ "
-  #E x 2pcs
Bolt $\text{Ø}1/4$ "x 2"
-  #F x 6pcs
Screw $3/16$ "x $3/8$ "
-  #G x 9pcs
Screw M4x32
-  #H x 16pcs
Bolt $\text{Ø}5/16$ "x $1/2$ "
-  #I x 15pcs
Flat Washer 1




Hardware List

-  #J x 36pcs
Flat Washer 2
-  #K x 1pc
Allen Wrench M4
-  #L x 1pc
Allen Wrench

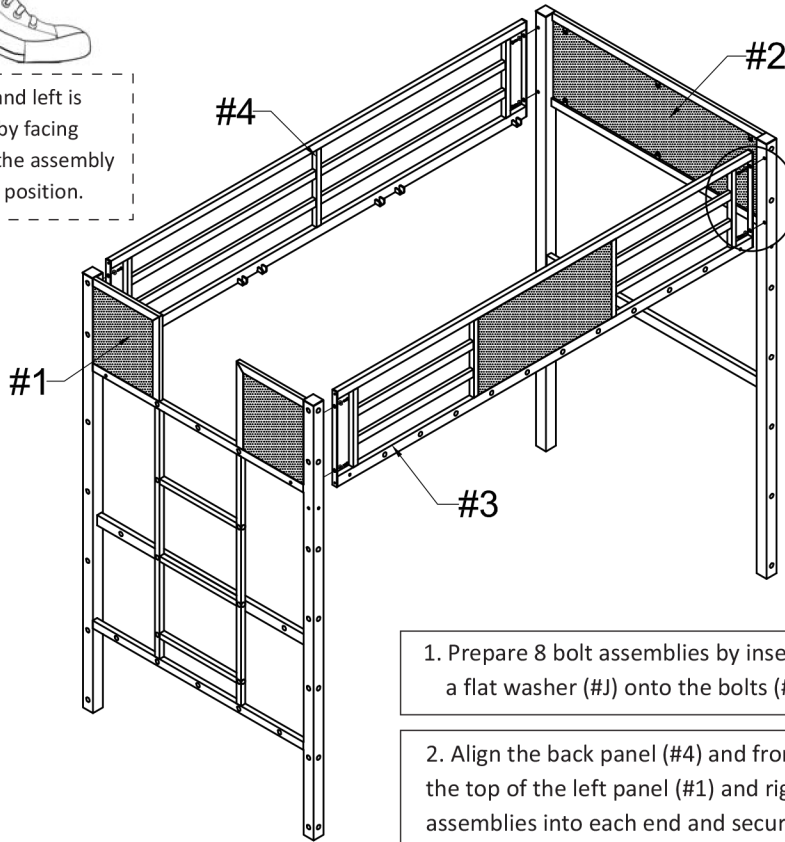


ASSEMBLY

Do not fully tighten all bolts until assembly is complete. This will help all parts to assemble properly.

- #B  8pcs
- #J  8pcs
- #K 




Note: Right and left is determined by facing the front of the assembly in its upright position.

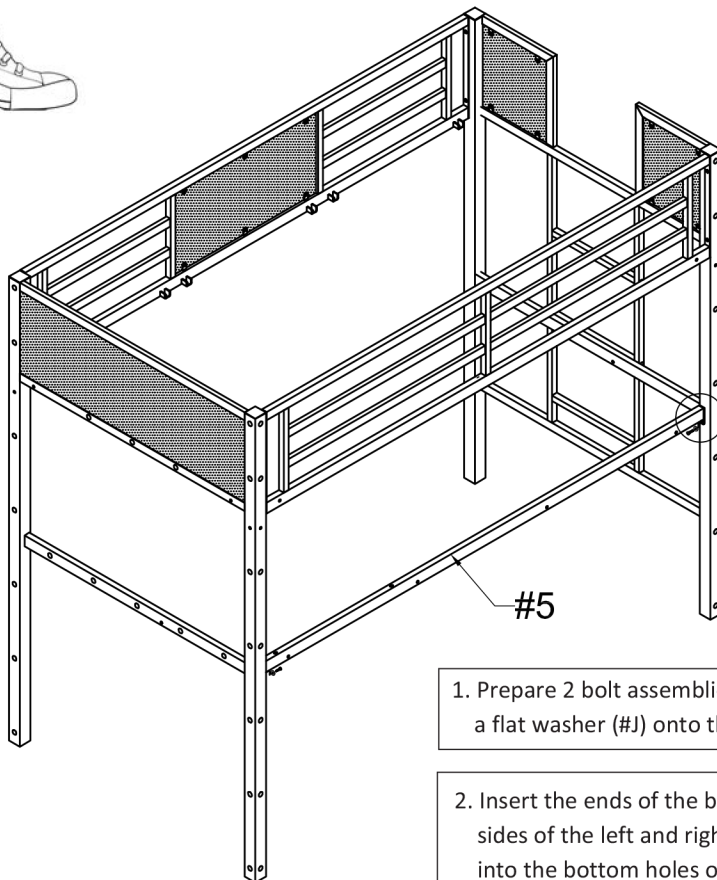


1. Prepare 8 bolt assemblies by inserting a flat washer (#J) onto the bolts (#B).

2. Align the back panel (#4) and front panel (#3) to the holes along the top of the left panel (#1) and right panel (#2), then insert 2 bolt assemblies into each end and secure using the Allen wrench (#K).



- #A  2pcs
- #J  2pcs
- #K 

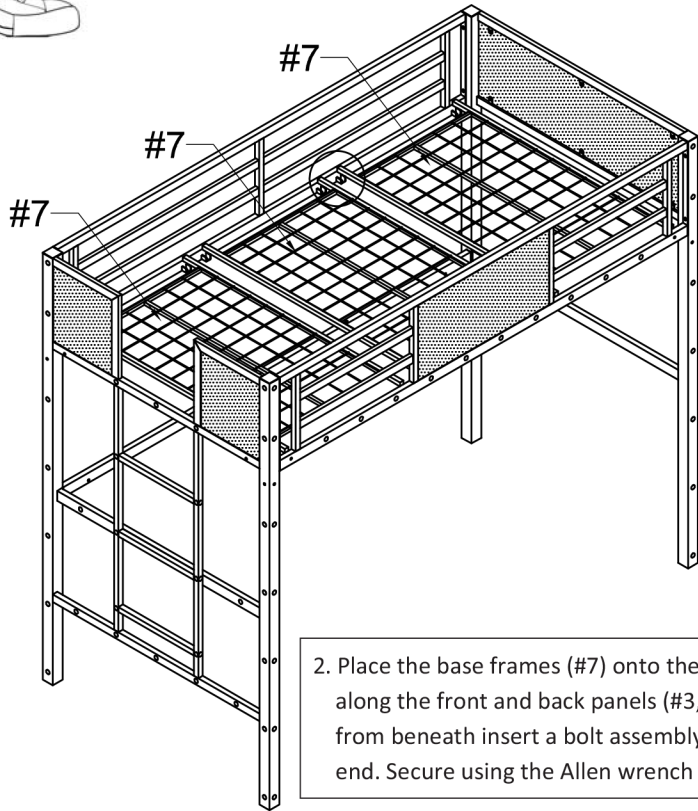





1. Prepare 2 bolt assemblies by inserting a flat washer (#J) onto the bolts (#A).

2. Insert the ends of the back support rail (#5) into the holes along the sides of the left and right panels (#1,2), then insert a bolt assembly into the bottom holes of each end. Secure using the Allen wrench (#K).

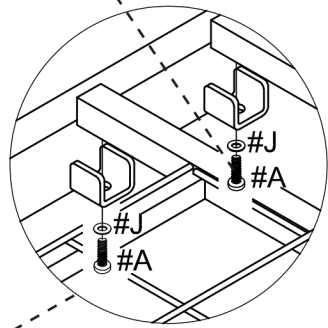


#3



- #A  12pcs
- #J  12pcs
- #K 

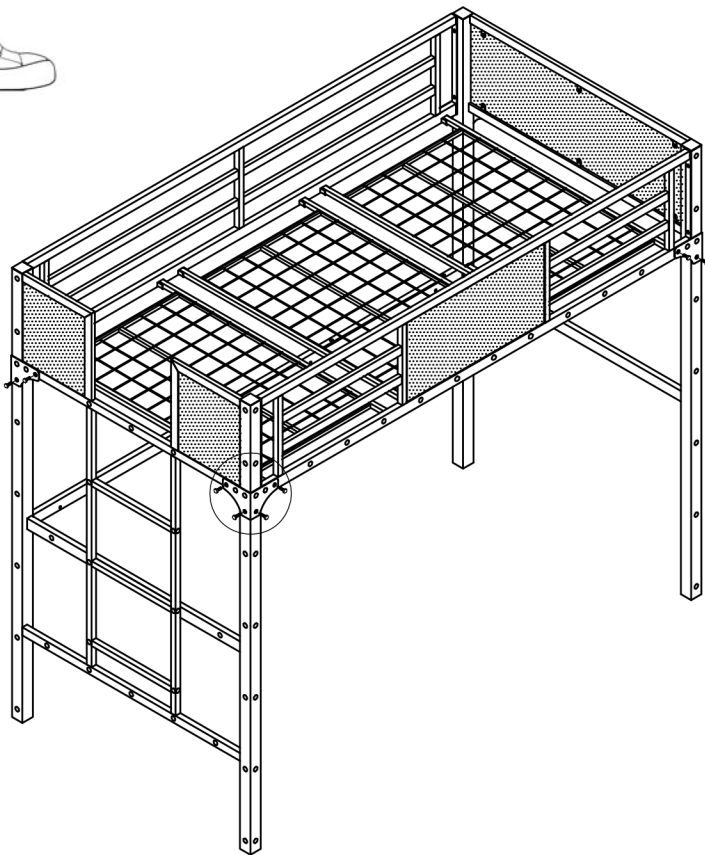
1. Prepare 12 bolt assemblies by inserting a flat washer (#J) onto the bolts (#A).





2. Place the base frames (#7) onto the slots along the front and back panels (#3,4), then from beneath insert a bolt assembly into each end. Secure using the Allen wrench (#K).

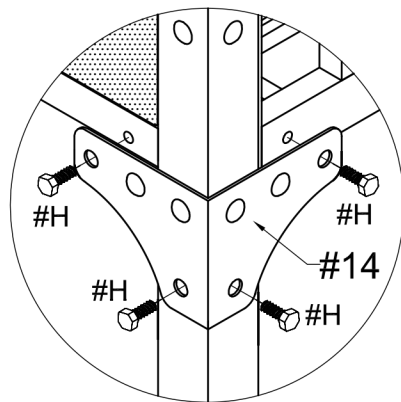


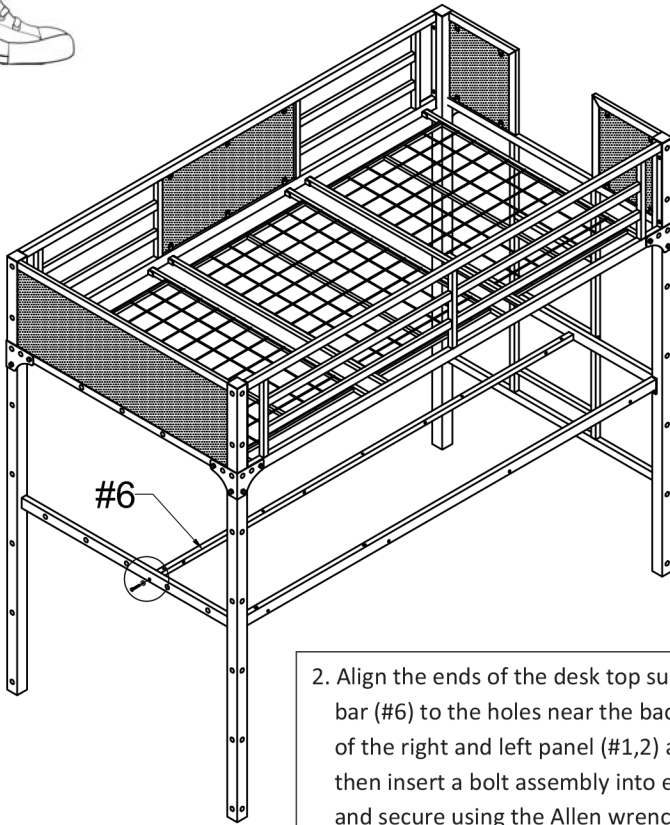
#4






- #H  16pcs
- #L 

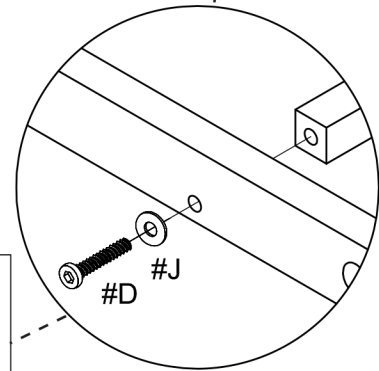
Align the garnish (#14) to each corner and insert 4 bolts into each garnish. Secure using the wrench (#L).



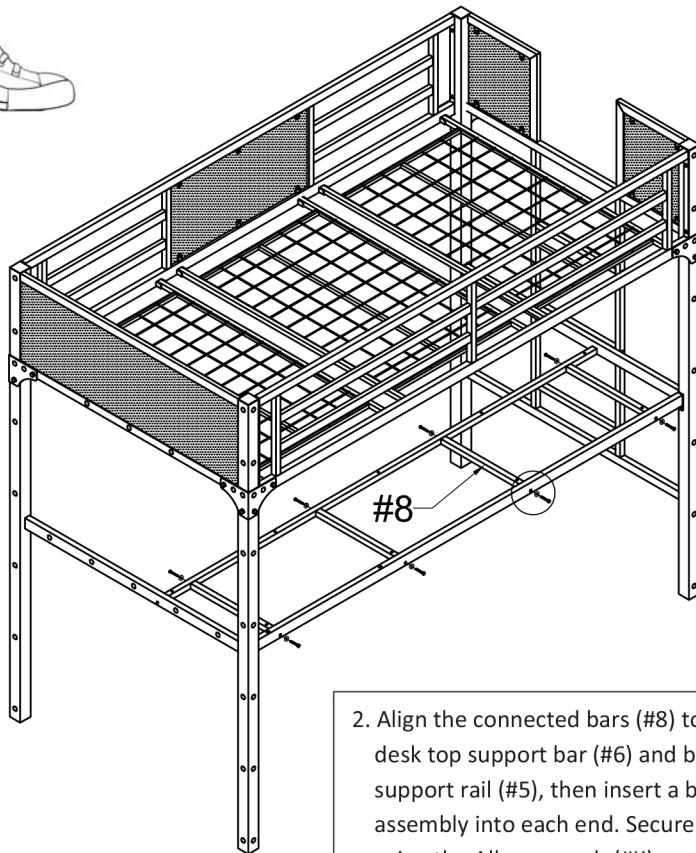





- #D  2PCS
- #J  2PCS
- #K 

1. Prepare 2 bolt assemblies by inserting a flat washer (#J) onto the bolts (#D).

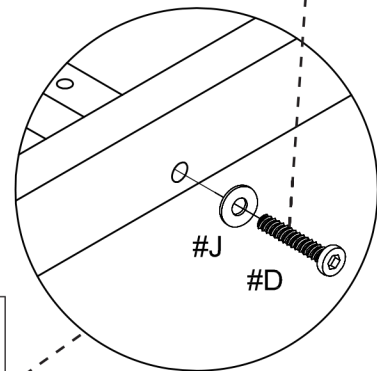


2. Align the ends of the desk top support bar (#6) to the holes near the back sides of the right and left panel (#1,2) as shown, then insert a bolt assembly into each end and secure using the Allen wrench (#K).



- #D  8PCS
- #J  8PCS
- #K 

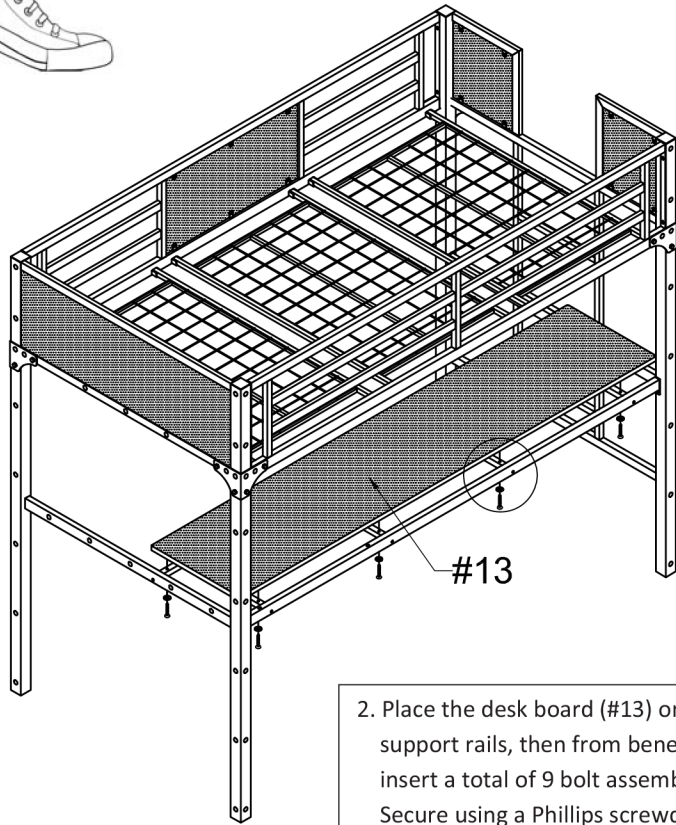
1. Prepare 8 bolt assemblies by inserting a flat washer (#J) onto the bolts (#D).



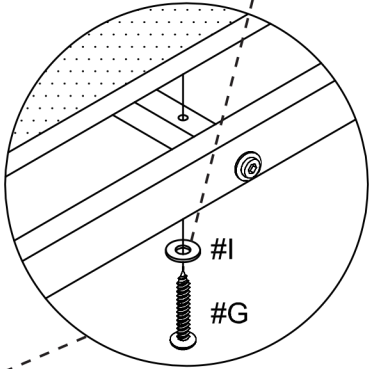
2. Align the connected bars (#8) to the desk top support bar (#6) and back support rail (#5), then insert a bolt assembly into each end. Secure using the Allen wrench (#K).



- #G 9pcs
- #I 9pcs



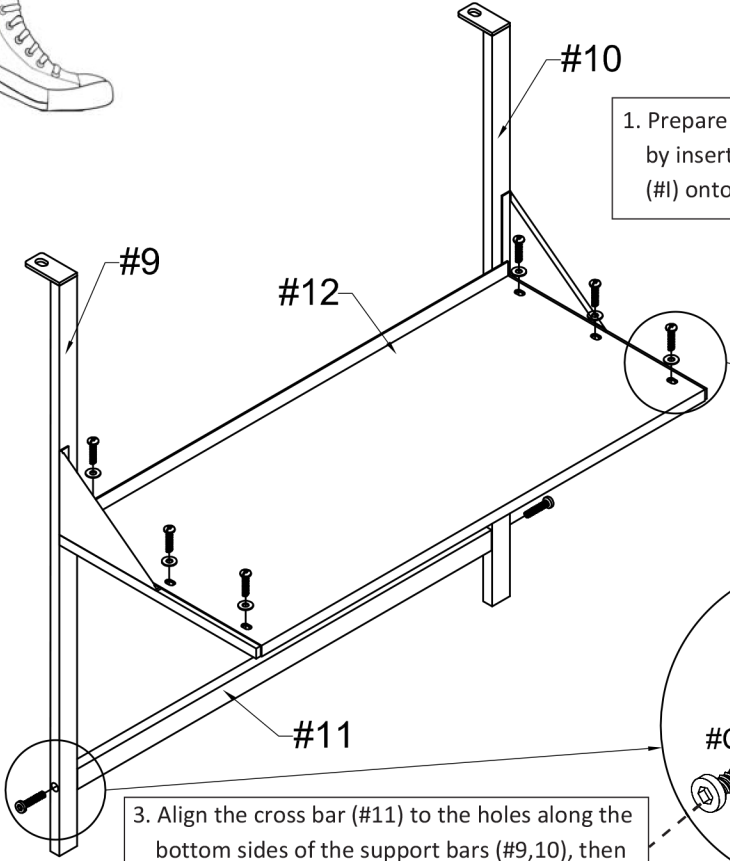
1. Prepare 9 bolt assemblies by inserting a flat washer (#I) onto the screws (#G).



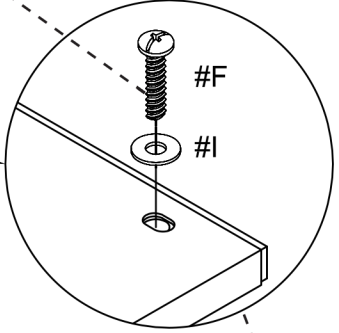
2. Place the desk board (#13) onto the support rails, then from beneath insert a total of 9 bolt assemblies. Secure using a Phillips screwdriver.



- #C 2PCS
- #F 6PCS
- #I 6PCS
- #K

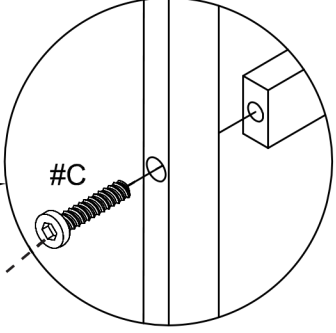


1. Prepare 6 bolt assemblies by inserting a flat washer (#I) onto the bolts (#F).







2. Align the board frame (#12) to the holes along the support bars (#9,10), then insert 6 bolt assemblies and secure using the Allen wrench.

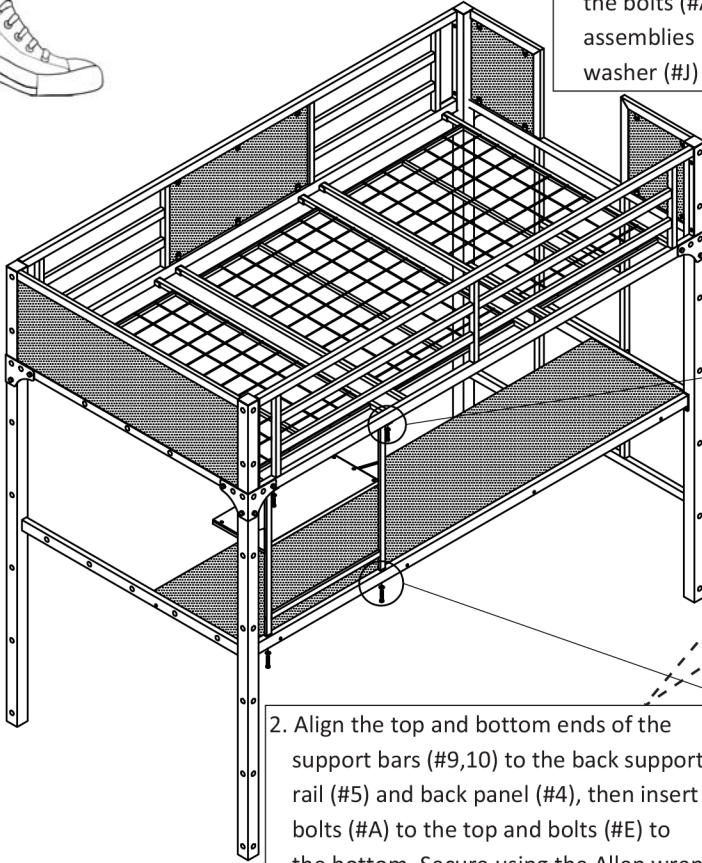
3. Align the cross bar (#11) to the holes along the bottom sides of the support bars (#9,10), then insert a bolt (#C) into each end and secure.



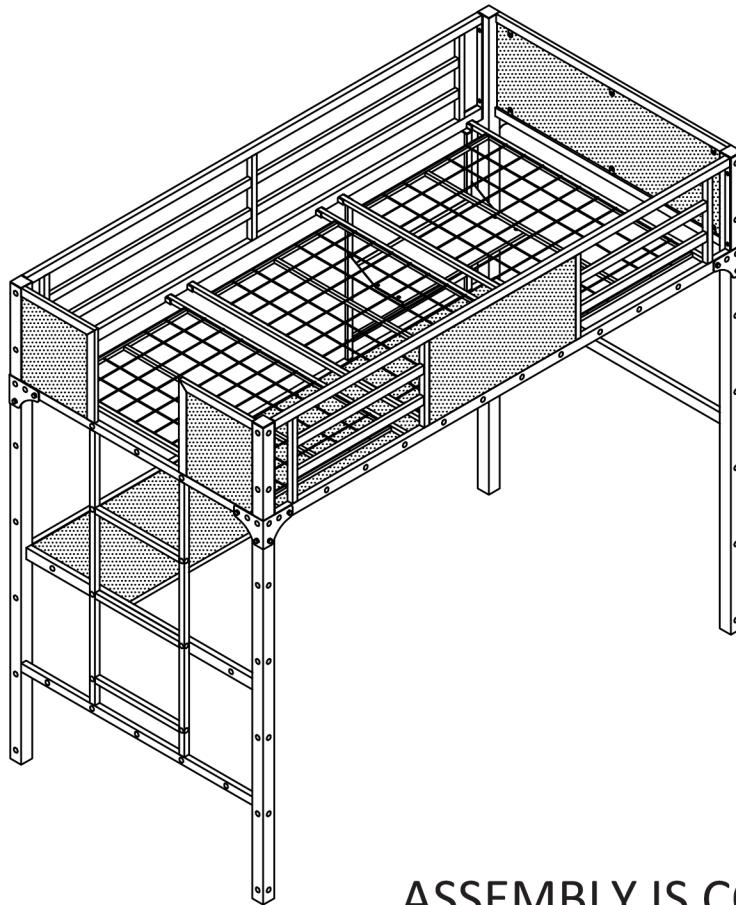


1. Prepare 2 bolt assemblies by inserting a flat washer (#J) onto the bolts (#A) and 2 bolt assemblies by inserting a flat washer (#J) onto the bolts (#E).

- #A  2PCS
- #E  2PCS
- #J  4PCS
- #K 



2. Align the top and bottom ends of the support bars (#9,10) to the back support rail (#5) and back panel (#4), then insert bolts (#A) to the top and bolts (#E) to the bottom. Secure using the Allen wrench.



ASSEMBLY IS COMPLETED

Safety Warnings

1. Follow the information on the warnings appearing on the upper bunk end structure and on the carton . Do not remove warning label from bed.
2. Always use the recommended size mattress or mattress support, or both, to help prevent the likelihood of entrapment or falls.
3. Surface of mattress must be at least 5 in(127mm). below the upper edge of guardrails .
4. Do not allow children under 6 years of age to use the upper bunk.
5. Periodically check and ensure that the guardrail, ladder ,and other components are in their proper position ,free from damage ,and that all connectors are tight .
6. Do not allow horseplay on or under the bed and prohibit jumping on the bed.
7. Always use the ladder for entering and leaving the upper bunk.
8. Do not use substitute parts ,Contact manufacturer or dealer for replacement parts.
9. Use of a night light may provide added safety precaution for a child using the upper bunk.
10. Always use guardrails on both long sides of the upper bunk.
If the bunk bed will be placed next to the wall, the guardrail that runs the full length of the bed should be placed against the wall to prevent entrapment between the bed and the wall.
11. The use of water or sleep flotation mattress is prohibited .
12. Keep these instructions for future reference.
13. Use only mattress which is (74"-75")X(37 $\frac{1}{2}$ "-38 $\frac{1}{2}$ ")X6" on upper bunk.
14. Prohibit more than one person on upper bunk.
15. Maximum total weight is not to exceed 400 lbs.on the upper bunk.

STRANGULATION HAZARD:

Never attach or hang items to any part of the bunk bed that are not designed for use with the bed, for example, but not limited to, hooks, belts, and jump ropes.