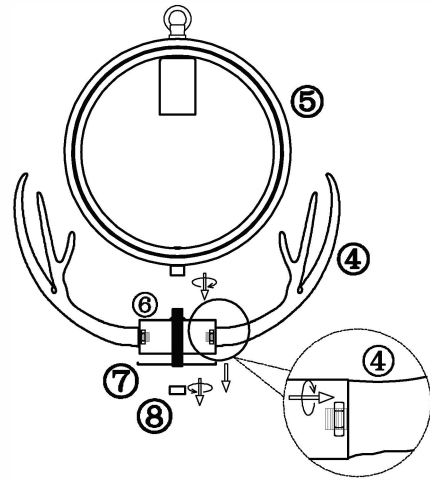
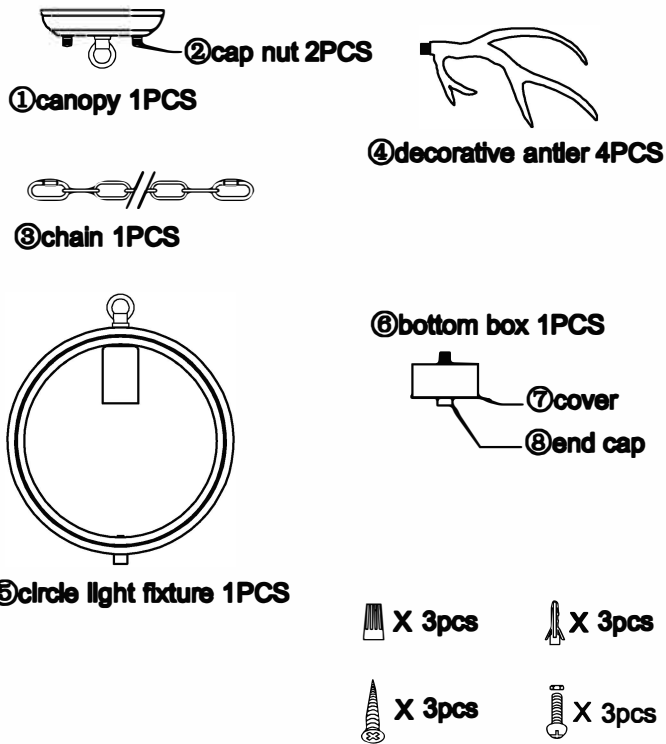
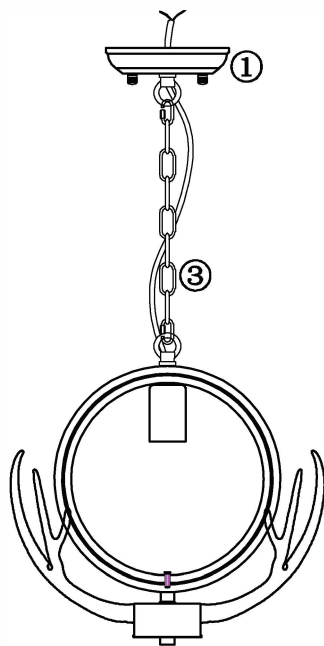


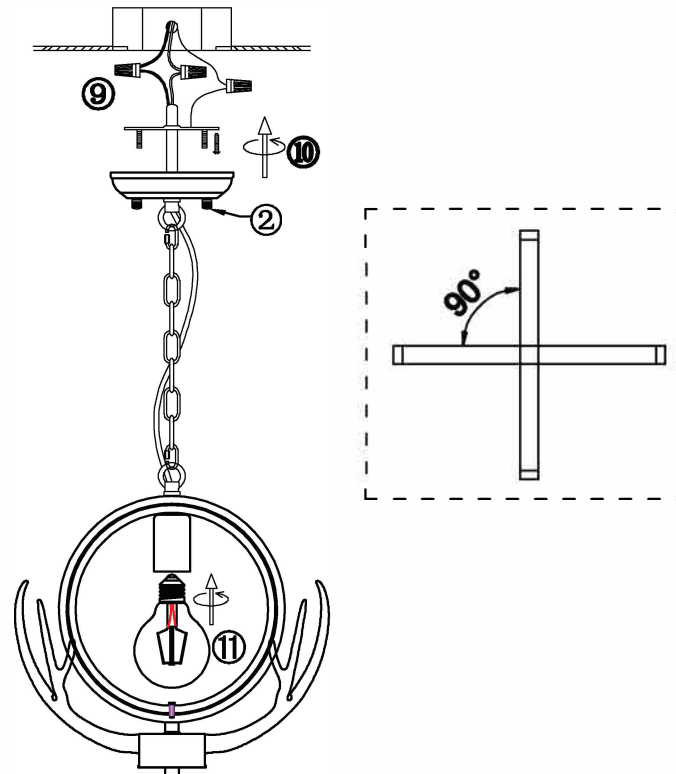
Installation & Assembly



1. Rotate the end cap 8 to loosen and remove the end cap 8 and cover 7, install the antler 4 to the bottom box 6 with nut, close the cover 7 back to the bottom box 6 with end cap 6.
2. Rotate to install the bottom box 6 to the circle light fixture 5.



3. Hang the fixture to the canopy 1 with chain, go through the chain 3 and canopy 1.



4. Install the bracket to the ceiling junction box with screw 10
5. Connect the wire to the house line with cap connector 9.
6. Install the fixture to the bracket with cap nut 2.
7. Adjust the circle to suitable position like picture shown.
8. Install the bulb 11.

Please read carefully before installation!!!

Note: Please make sure that the electricity is powered off during Installation!

Only a professional electrician should install this kind of product!