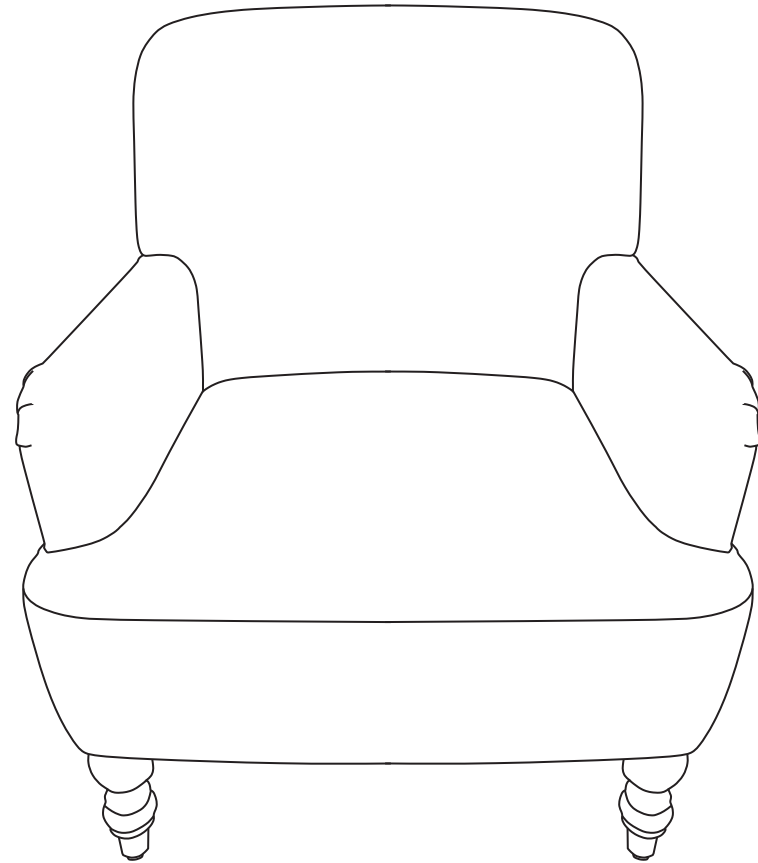


# Instruction Manual

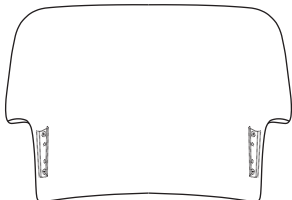
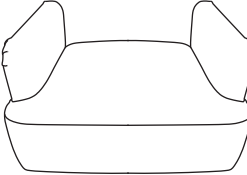
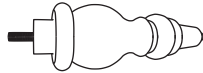

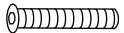



## User Guide

### Make life better

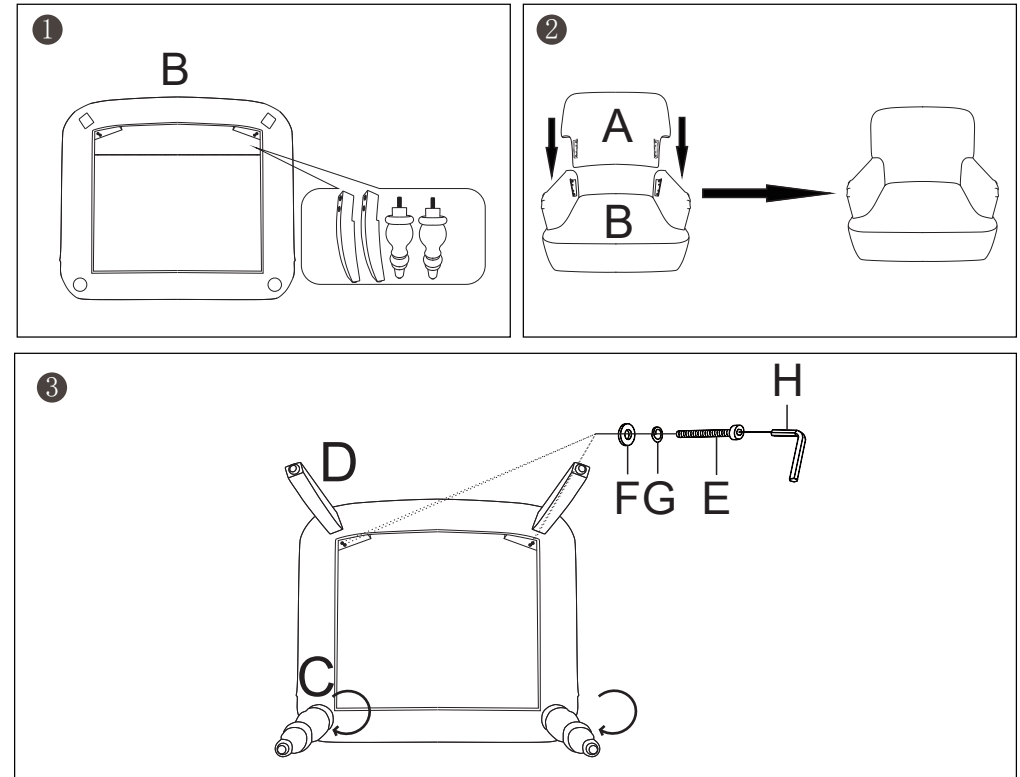
Warm tips: We are proud of high-quality products and satisfactory service, but the goods may encounter special circumstances during transportation, if you receive the goods with missing or damaged parts, please take photos and contact our customer service before returning the goods, we will customize a solution that satisfies you, thank you.



# Instruction

NO	DESCRIPTION		QTY
A	Backrest Frame		1
B	Seat Frame		1
C	Front Leg		2
D	Hind Leg		2
E	Screw	$\Phi 5/16$ " * 2"L 	4
F	Flat Washer	$\Phi 5/16$ " * 22mm 	4
G	Lock Washer	$\Phi 5/16$ " 	4
H	Allen Wrench	$\Phi 5$ mm 	1

# Installation Method



## Step Instructions:

1. Open the bottom zipper and take out the 4 wooden legs and the screw pack from the inner box for later use.
2. Align the backrest A track with the seat frame B track and clip it down until it stabilizes and does not shake.
3. Align the two hind legs D with the holes and tighten them with screws. Align the two front legs C with the holes and tighten them clockwise.