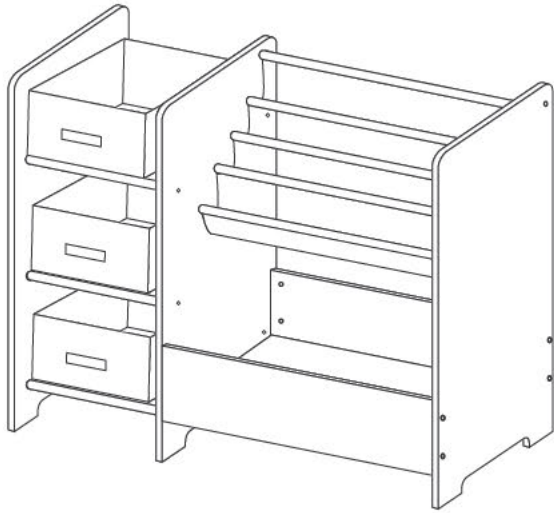
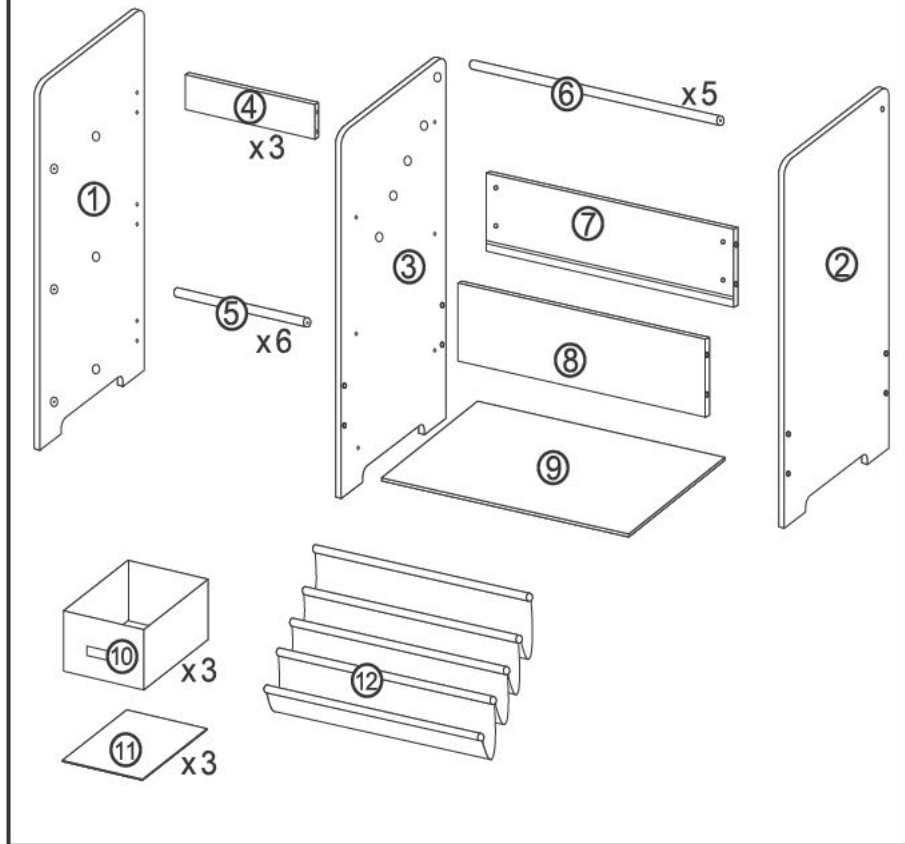


# Book Display Unit with Fabric Storage Boxes

**AGE 2+**  
ADULT ASSEMBLY REQUIRED



## PART LIST



## HARDWARE



A x 14



B x 14



C x 6



D x 8

## CARE/CLEANING INSTRUCTIONS

- Wipe furniture with a soft dry cloth, do not use paper as this may be abrasive to the finish.
- The unit should be cleaned with a damp cloth and dried with a dry cloth.
- DO NOT use bleach or chemical solutions to clean the product.
- DO NOT expose to sunlight or other heat sources for a prolonged period.
- DO NOT store or leave outside.
- Periodically check the tightening of legs and screws.

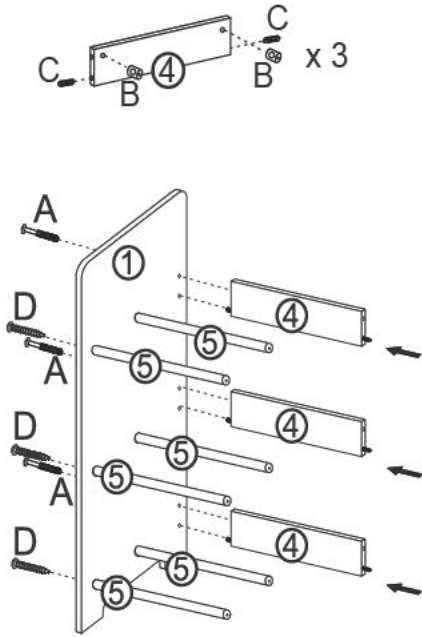


### TOOLS REQUIRED:

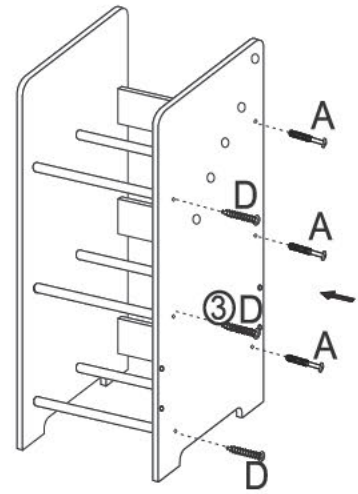
1. Phillips Head Screw Driver (not supplied)
2. Flat Head Screw Driver (not supplied)



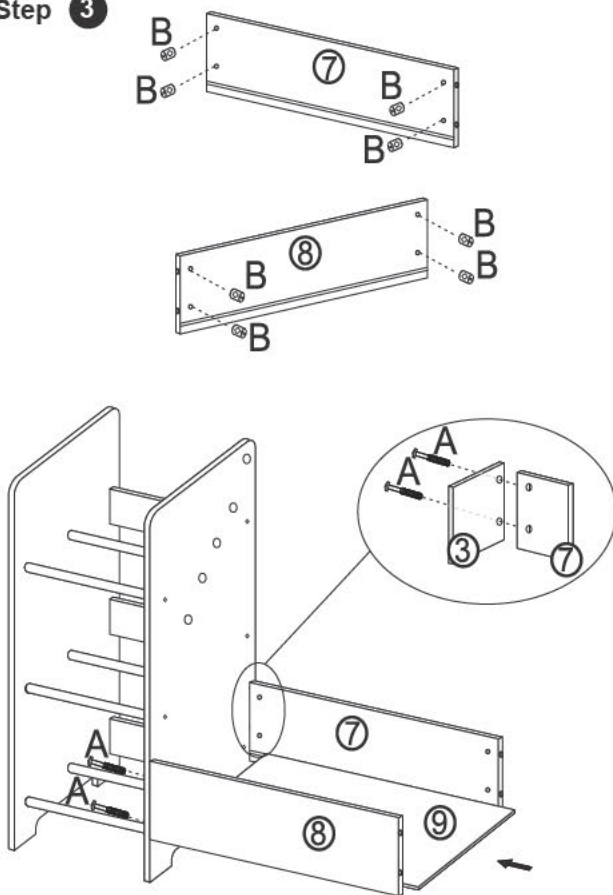
Step 1



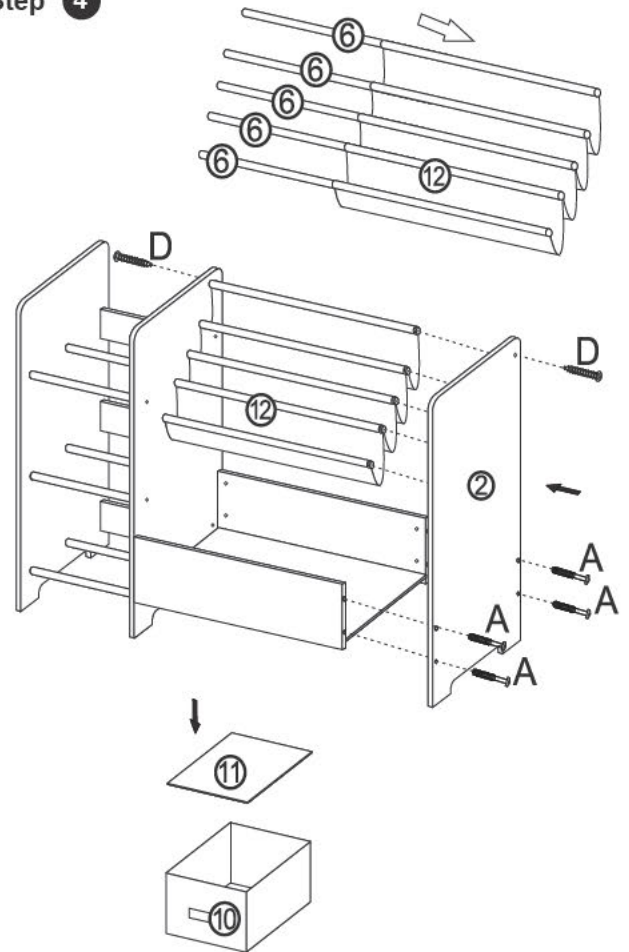
Step 2



Step 3



Step 4



UK  
CA CE

**WARNING:**  
CHOKING HAZARD – Small parts.