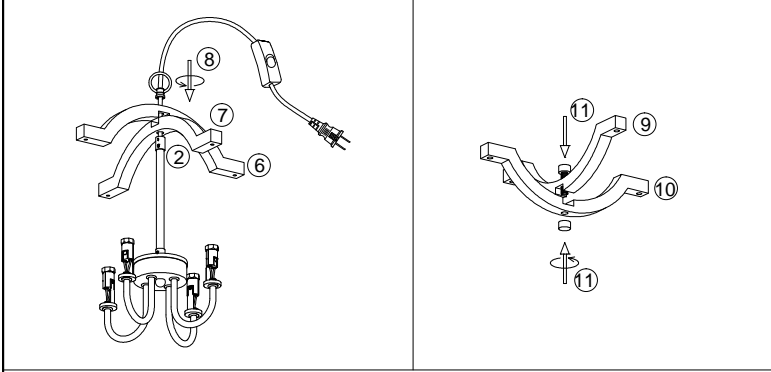
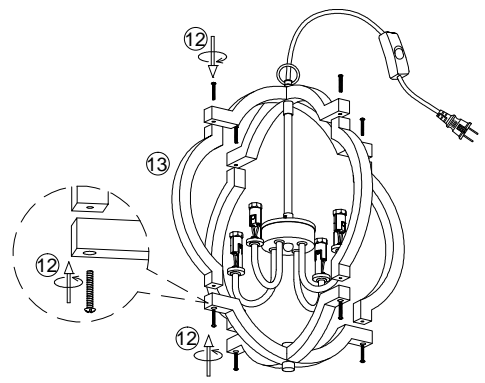


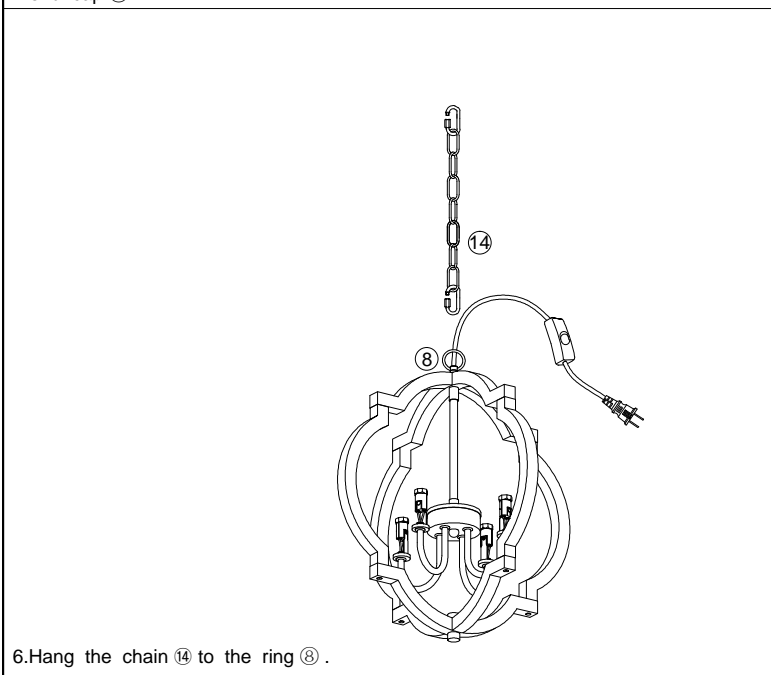
1. Adjust the light arm to suitable position like picture shown.
2. Rotate to install the tube ① to the fixture , fix it with grub screw ④ by rotate hex key ⑤.



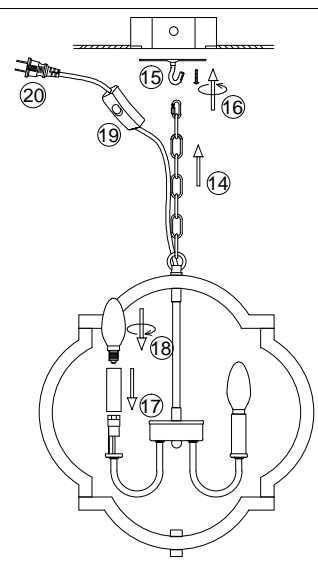
3. Install the wooden profile ⑥ and ⑦ to the fixture by rotate hanging ring ⑧ .
4. Install the wooden profile ⑨ and wooden profile ⑩ together with thread rod and end cap ⑪.



5. Complete whole wood frame by bolt screw ⑫ (top part +4 pcs wood profile ⑬+down part).



6. Hang the chain ⑭ to the ring ⑧ .



7. Install the hook bracket ⑮ to the ceiling junction box with screw ⑯.
8. Hang the fixture to the bracket.
9. Put the cylinder tube ⑰ on top of bulb holder and install the bulb ⑱.
10. Put the switch ⑳ into the electric socket and switch on the light .

Y5020S-4

Please read carefully before installation!!!

Note : Please make sure that the electricity is powered off during installation !

Only a professional electrician should install this kind of product !