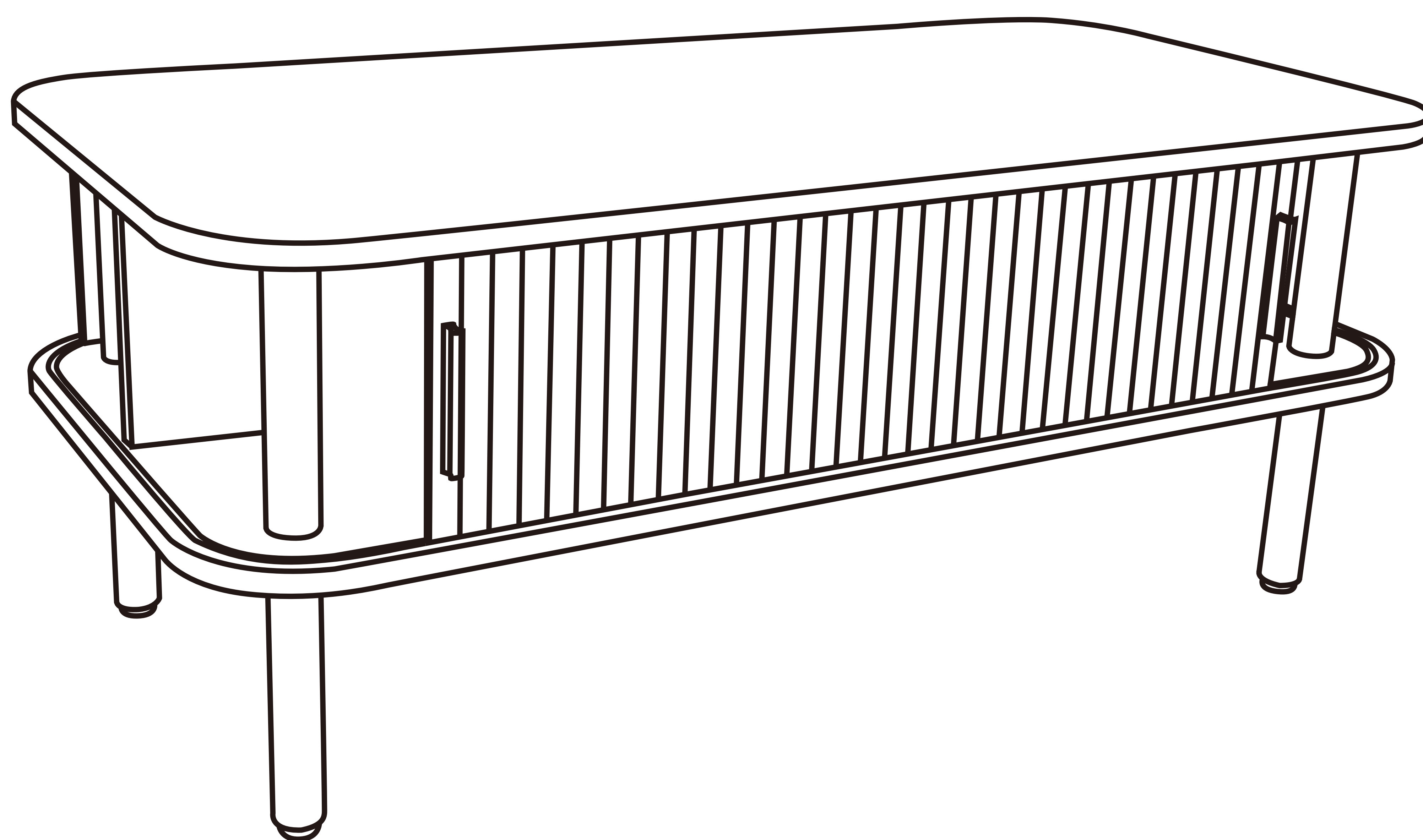


SOOHOW

Assembly Manual Coffee table

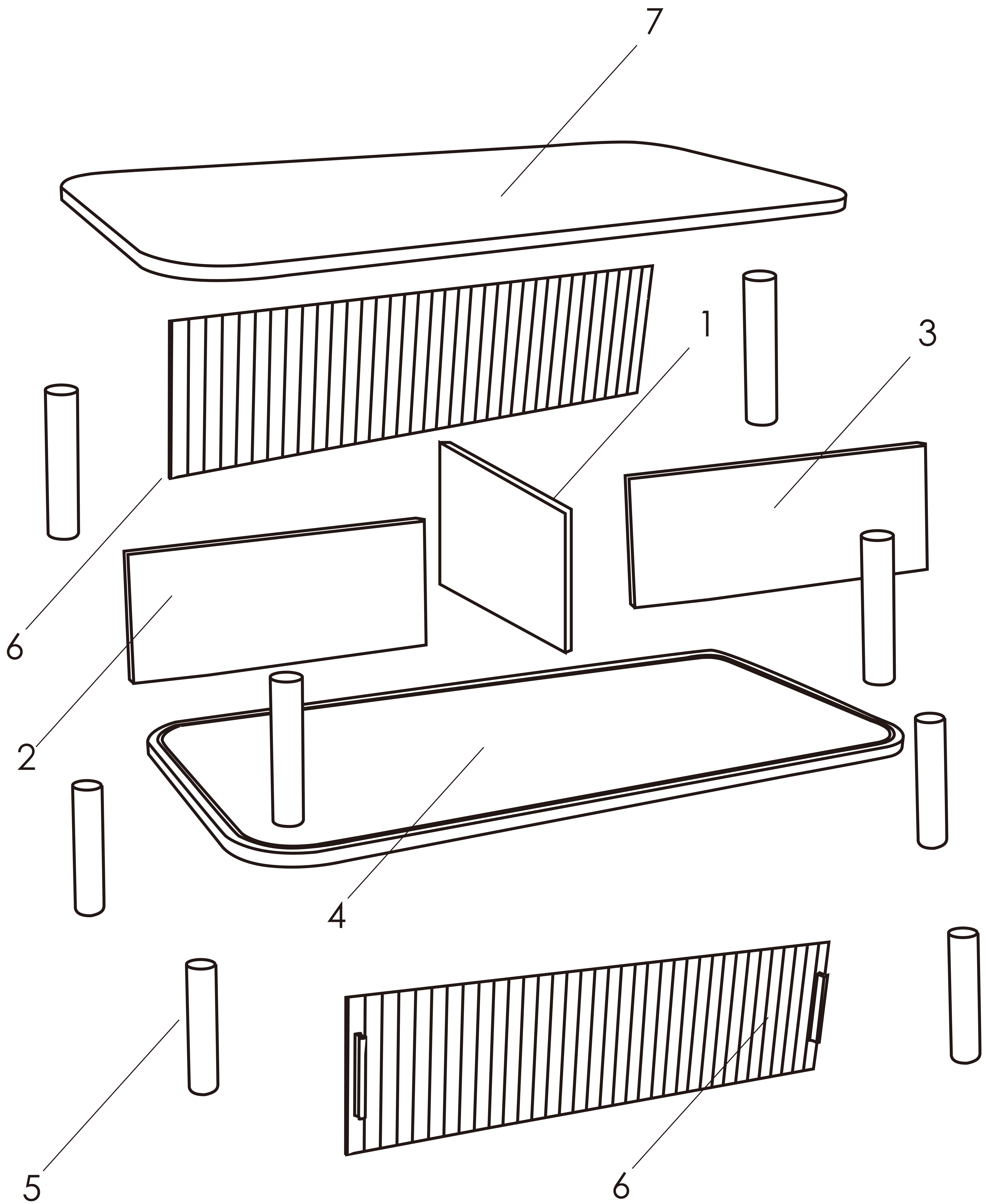
CT010



Please read this manual carefully before any operation and keep it properly for future use.

If any problems on our product, please feel free to contact us at [**ecservice@isunon.com**](mailto:ecservice@isunon.com).

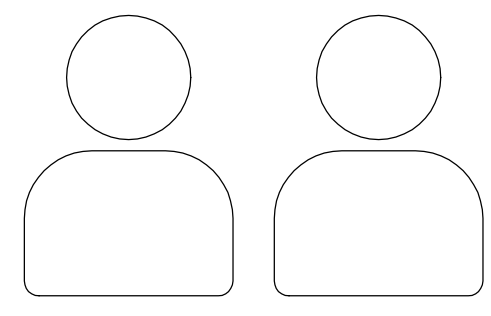
Exploded View



Components List

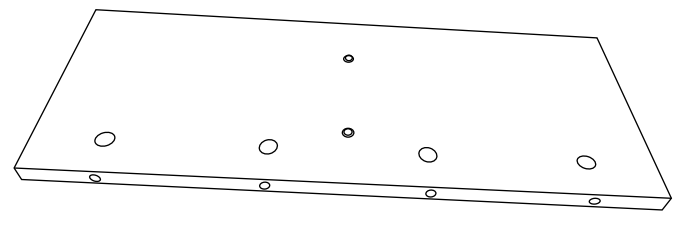
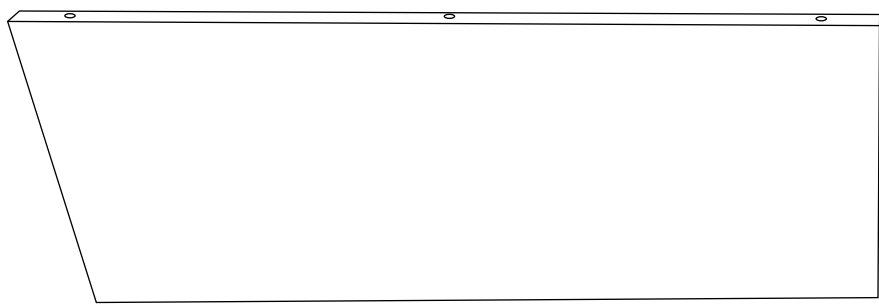
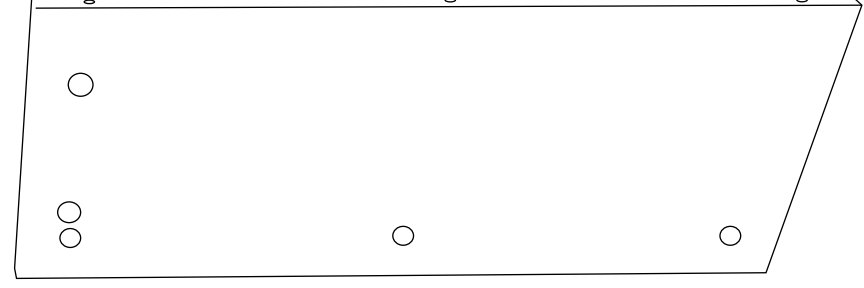
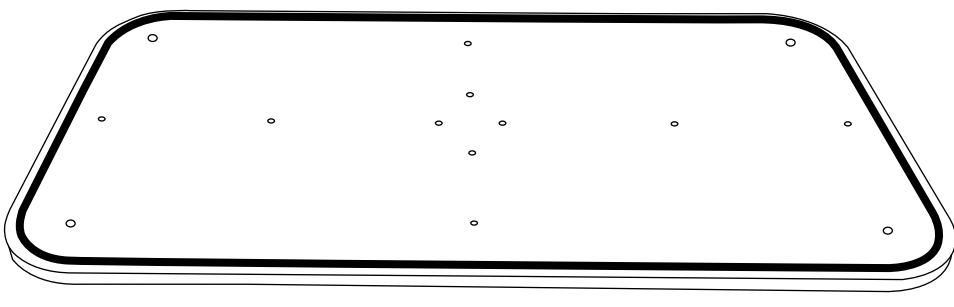
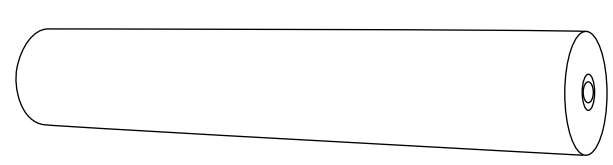
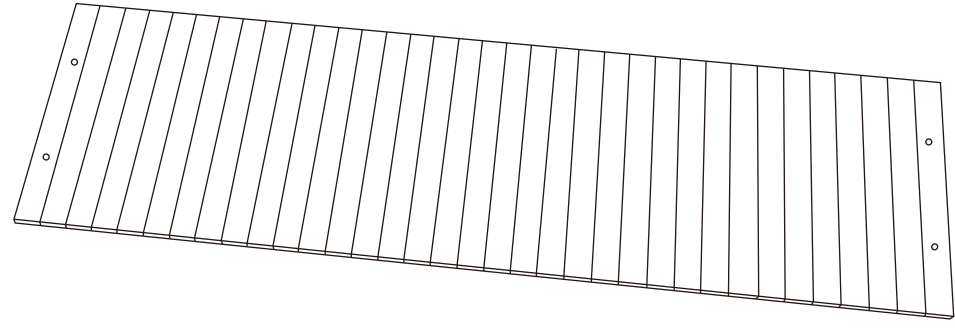
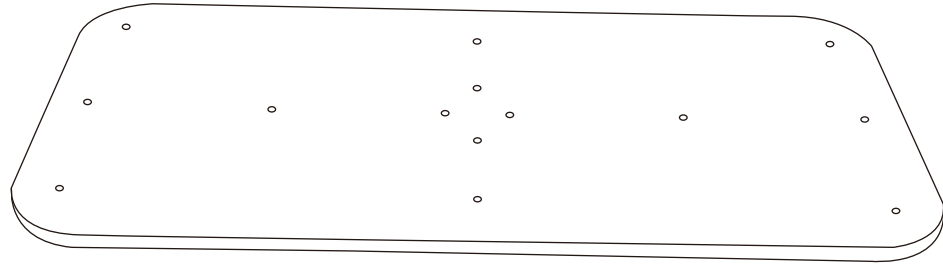
15 min

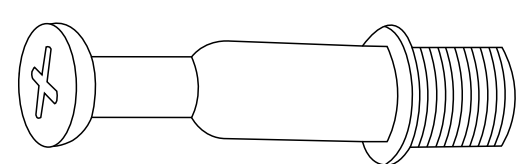
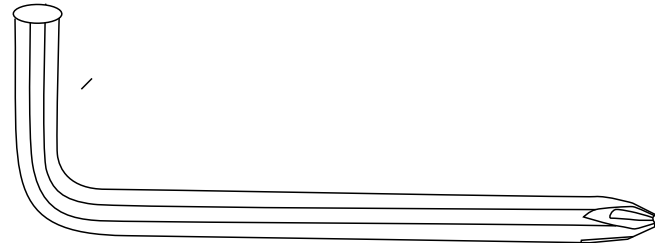
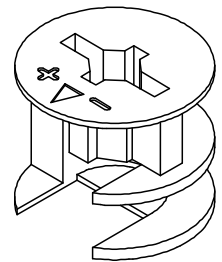

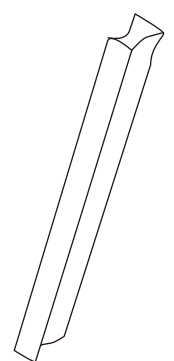
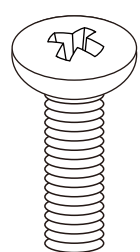
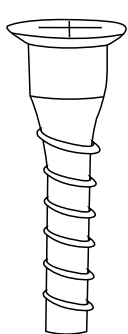

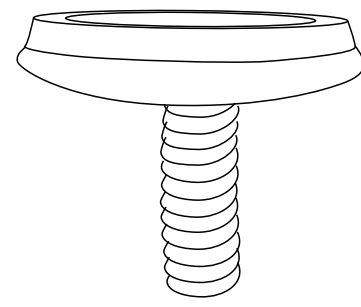
Assembly Time



Two People

Note: The number after "+" sign indicates the extra piece(s).

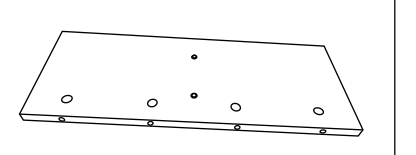
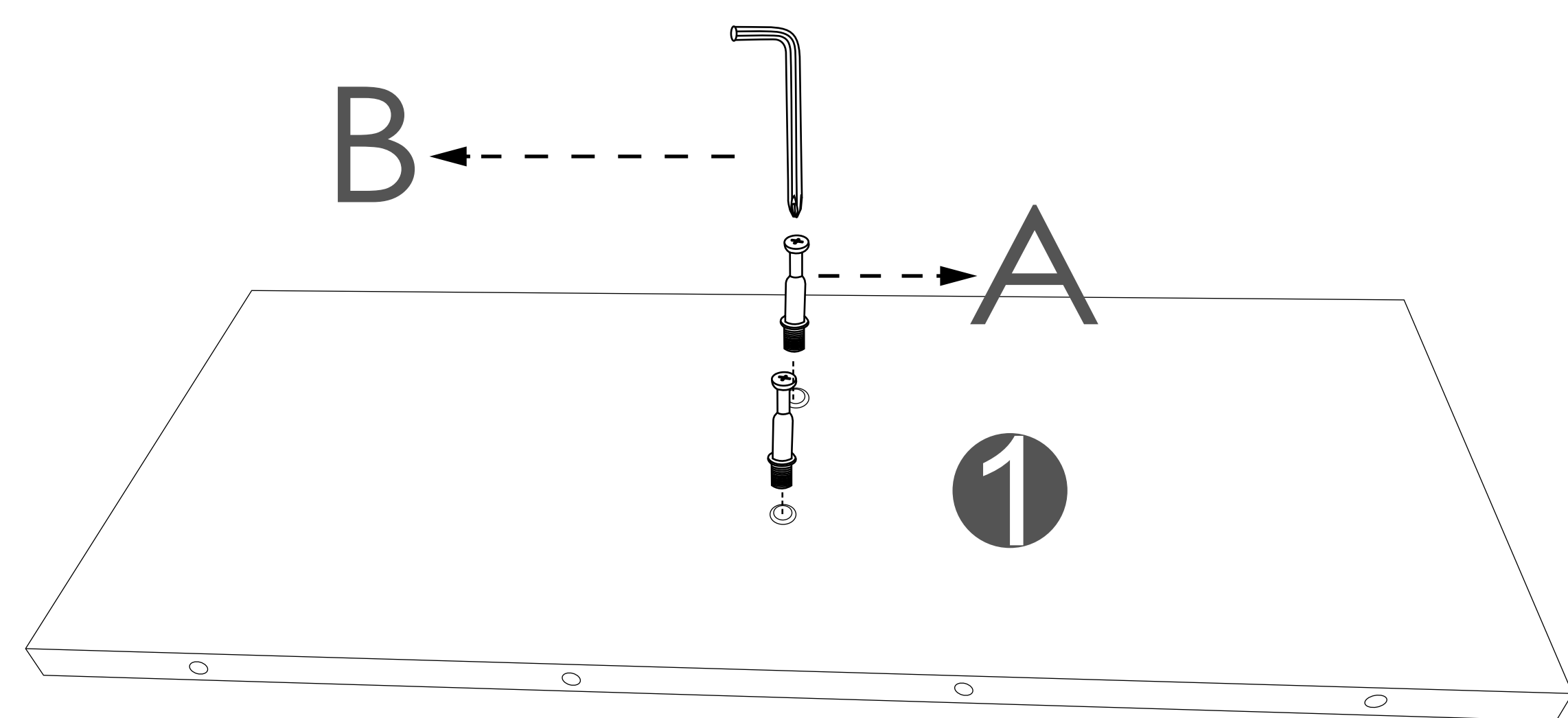
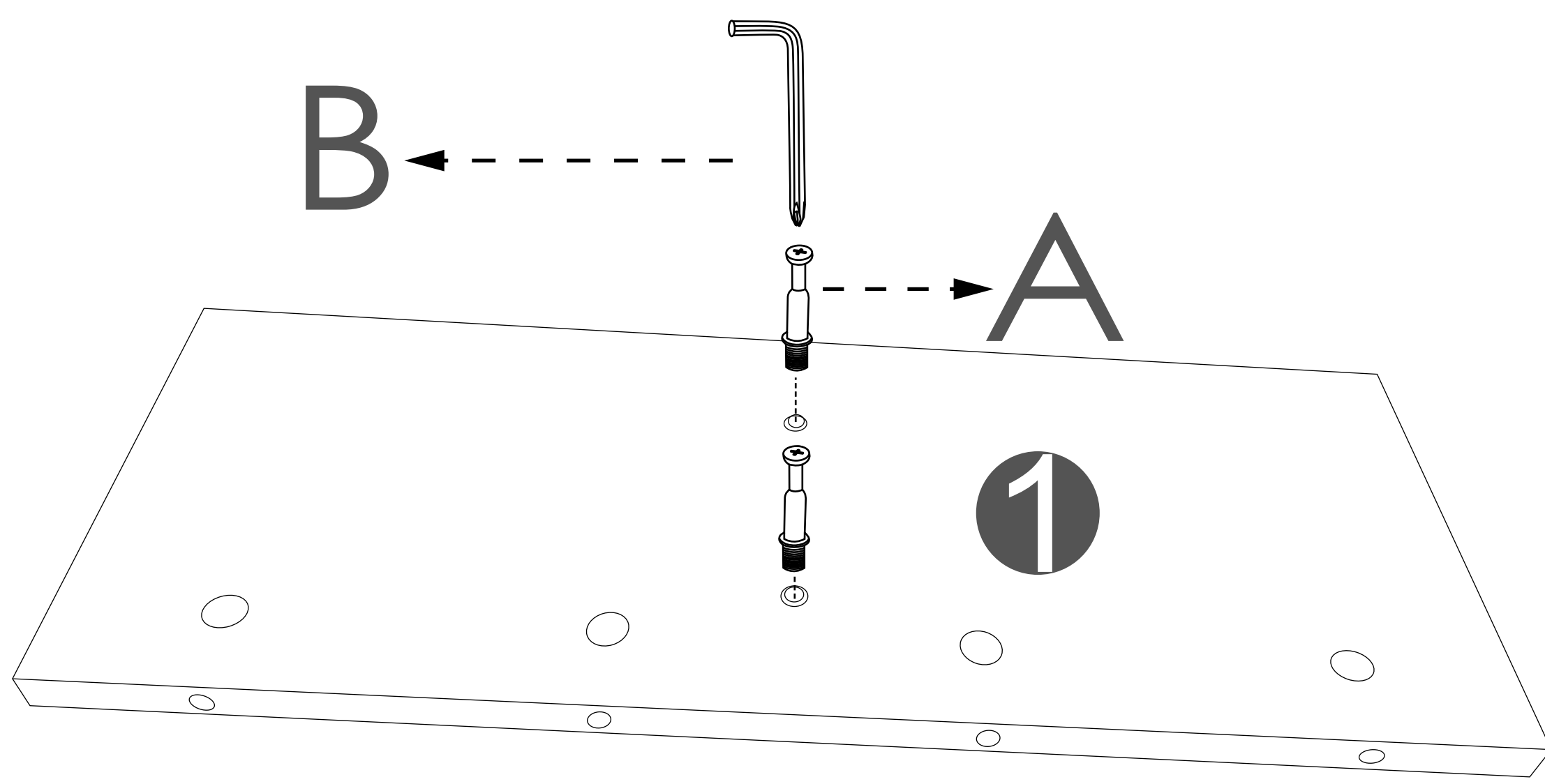
 <p>1 Middle connect board*1</p>	 <p>2 Middle connect board*1</p>	 <p>3 Middle connect board*1</p>
 <p>4 Bottom board*1</p>	 <p>5 Wooden leg*8</p>	 <p>6 Upright boards*2</p>
 <p>7 Top Board*1</p>		

<p>A</p> 	<p>B</p> 	<p>C</p> 	<p>D</p> 	<p>E</p> 
<p>lock pin</p> <p>14+2</p>	<p>Allen wrench</p> <p>1</p>	<p>Klix cam</p> <p>14+2</p>	<p>Bolt</p> <p>M6x30mm</p> <p>4+1</p>	<p>Handle</p> <p>4</p>
<p>F</p> 	<p>G</p> 	<p>H</p> 	<p>I</p> 	
<p>Bolt</p> <p>M4x8mm</p> <p>8+1</p>	<p>Bolt</p> <p>M7x35mm</p> <p>10+2</p>	<p>Bolt</p> <p>M6x50mm</p> <p>4+1</p>	<p>Adjustable leg</p> <p>4+1</p>	

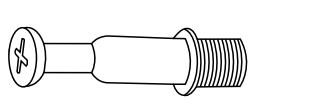
Assembly Instruction

STEP 1

Fasten Screws A to No.1 plate with Wrench B and tighten them.



①*1



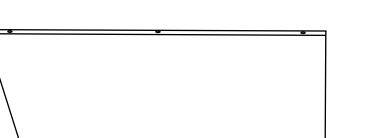
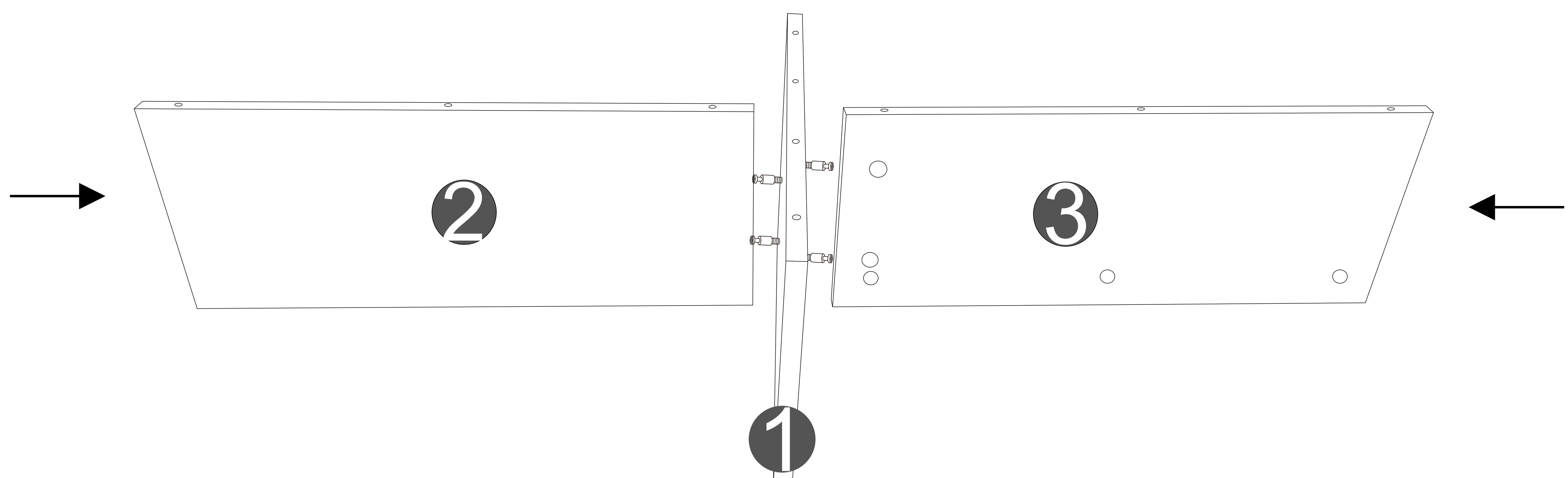
Ⓐ*2



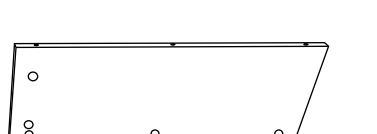
Ⓑ*1

STEP 2

Position No.2 plate and No.3 plate to match their corresponding holes, and slide each onto the left and right sides of No.1 plate respectively.



②*1

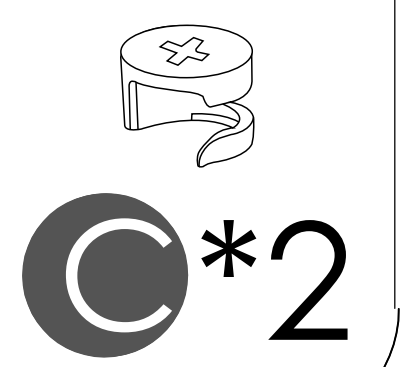
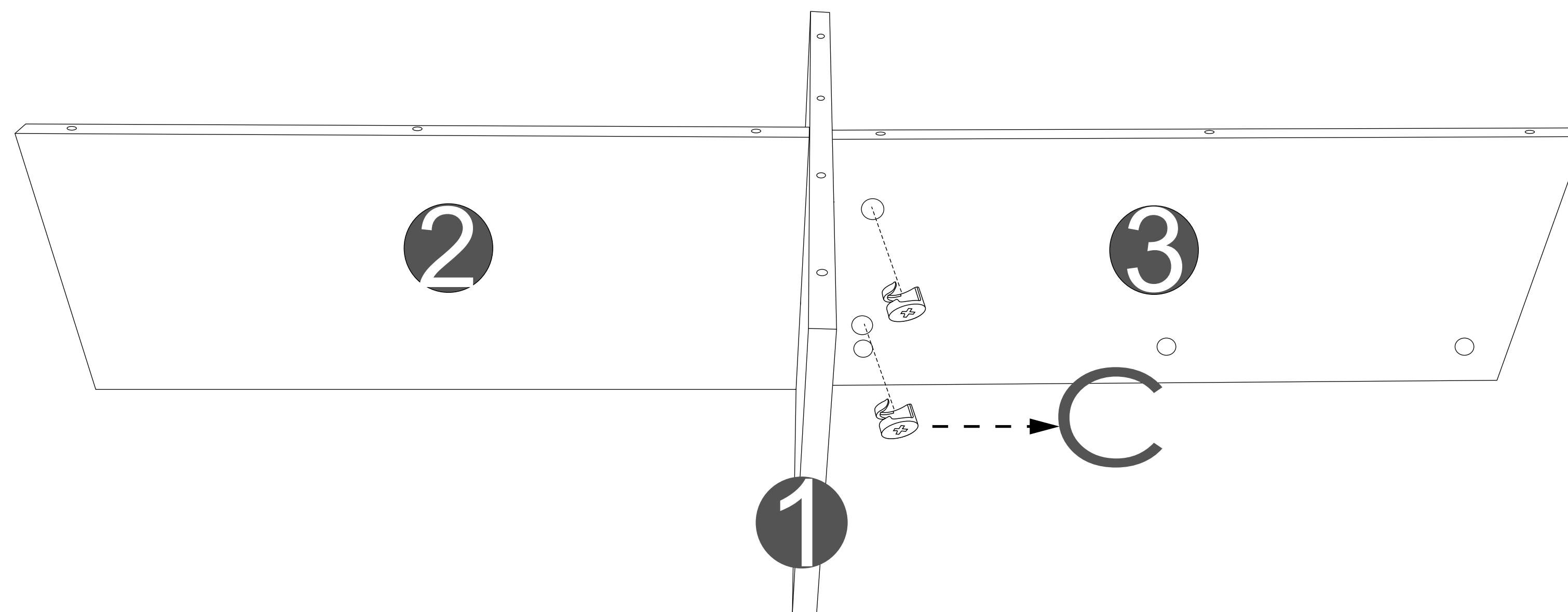


③*1

Assembly Instruction

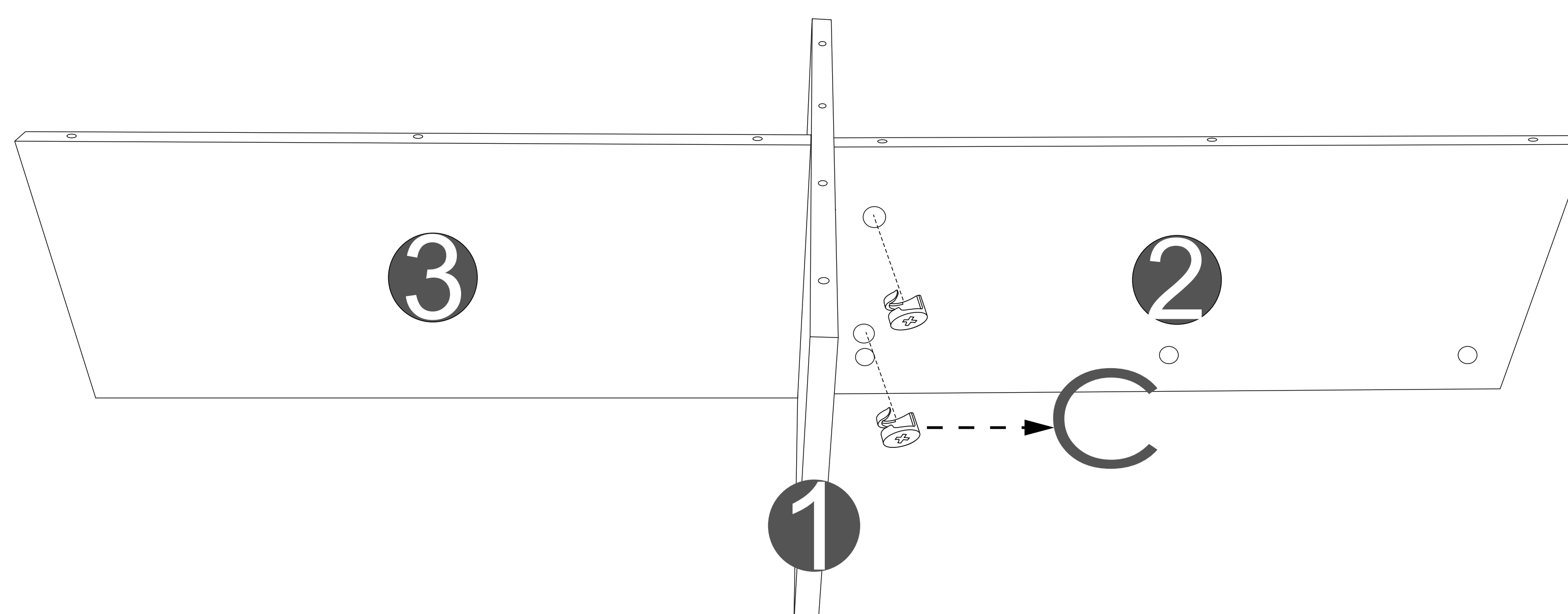
STEP 3

Fasten Screws C into the holes of No.3 plate and tighten firmly to attach No.3 plate to No.1 plate.



STEP 4

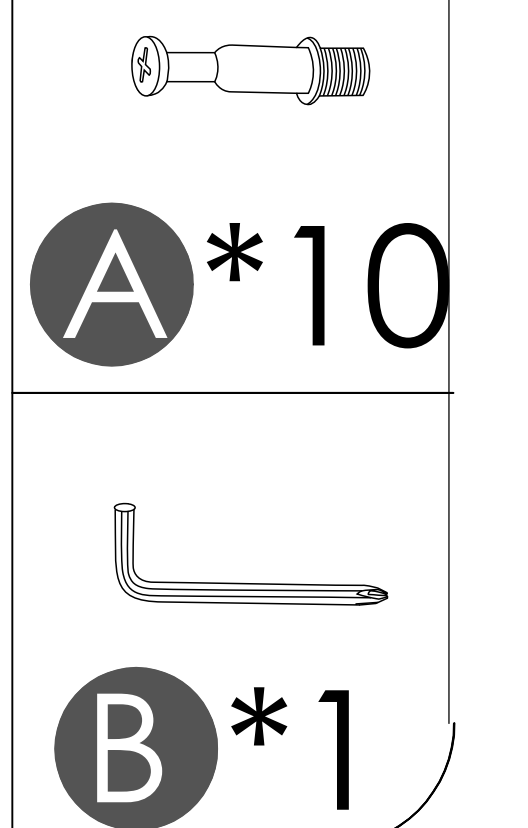
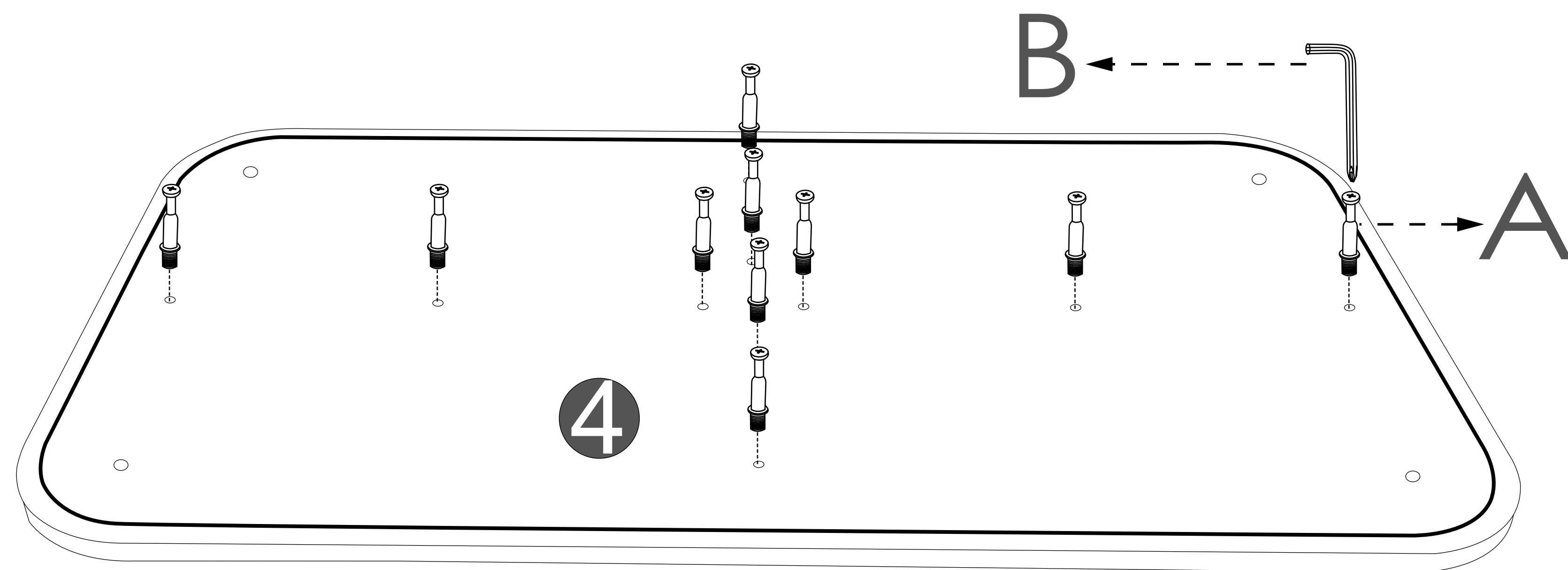
Fasten Screws C into the holes of No.2 plate and tighten firmly to attach No.2 plate to No.1 plate.



Assembly Instruction

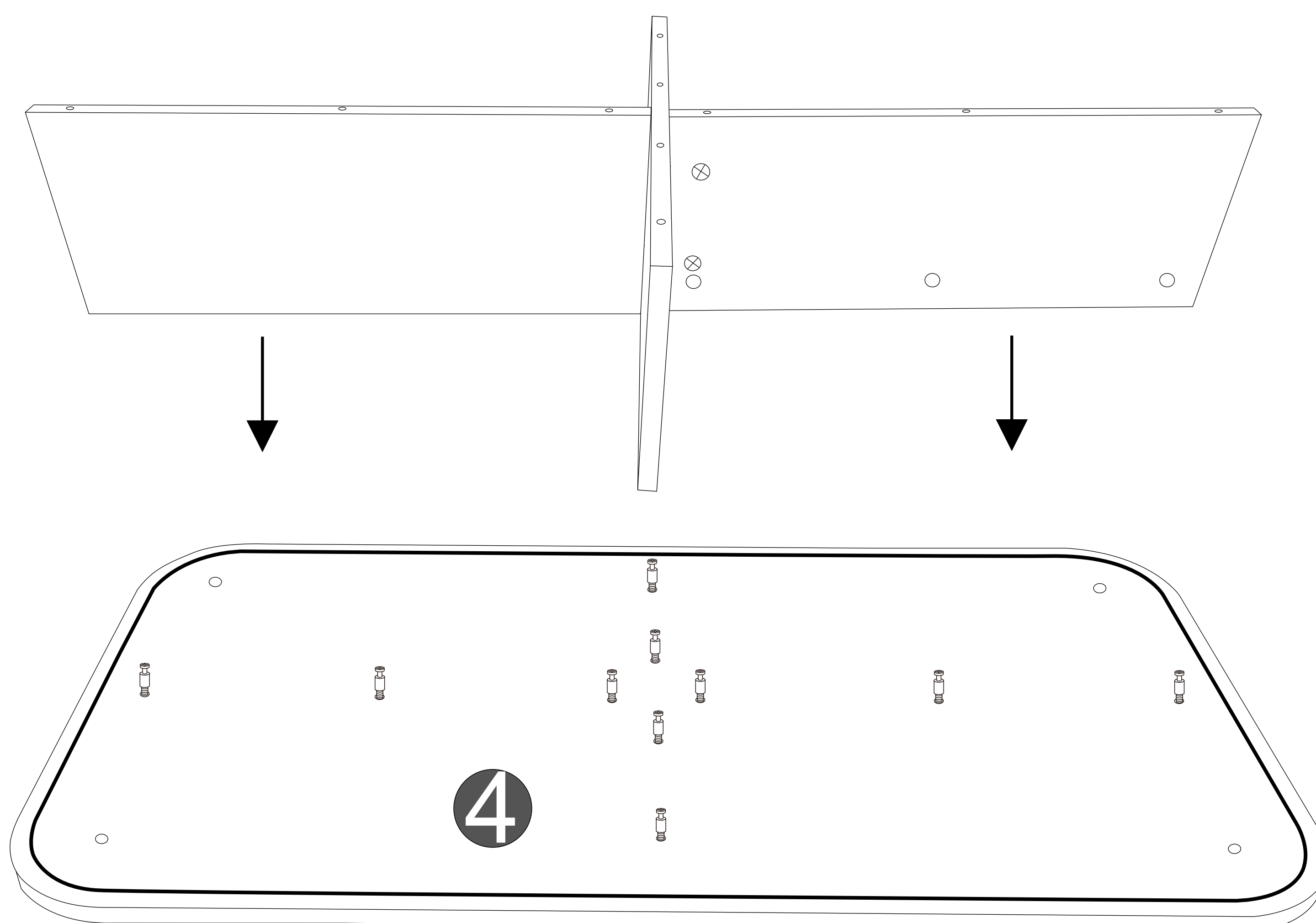
STEP 5

Fasten Screws A to No.4 plate with Wrench B and tighten them securely.



STEP 6

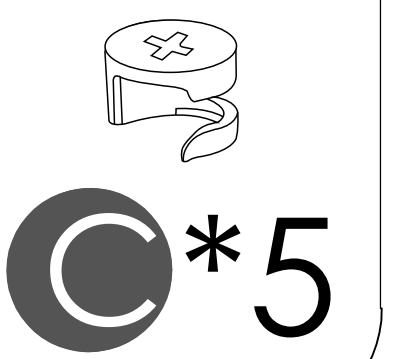
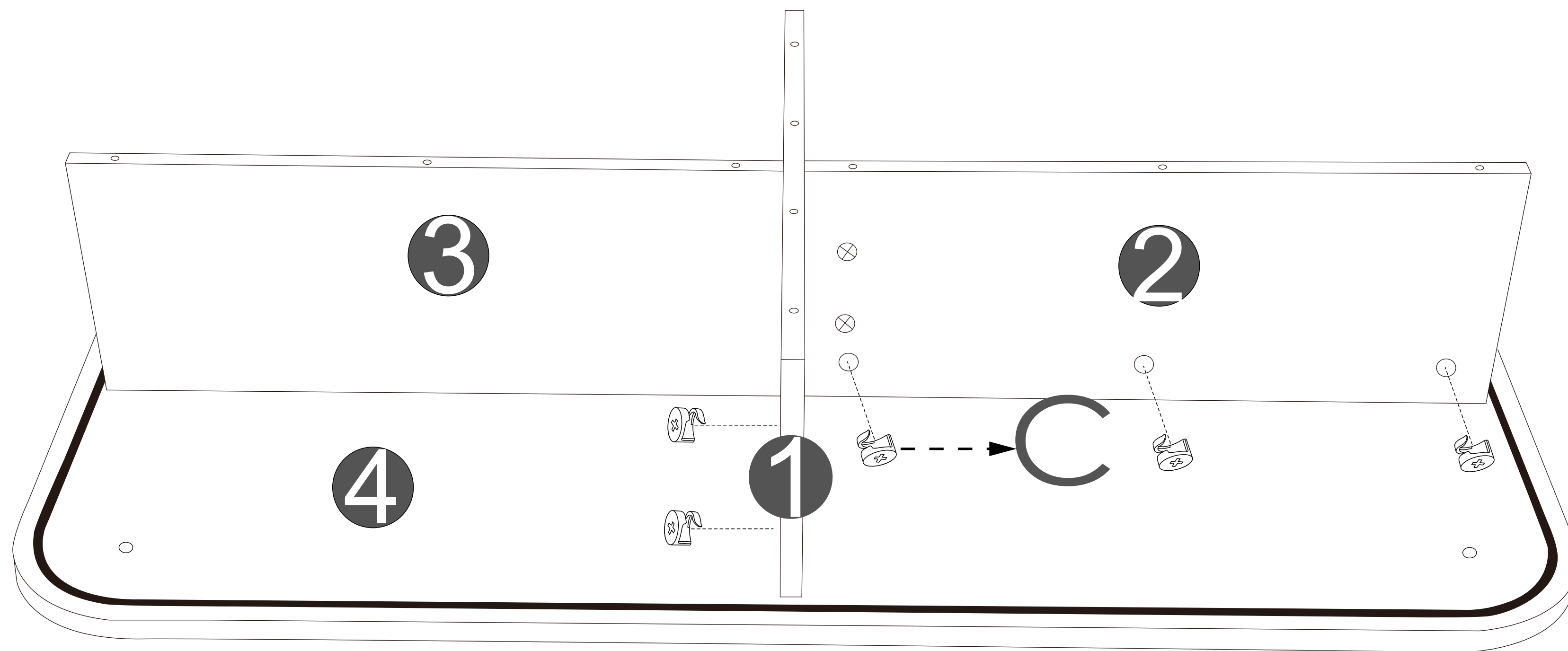
Position the pre-assembled No.1, No.2 and No.3 plates to match the corresponding holes, and slide them onto the upper part of No.4 plate.



Assembly Instruction

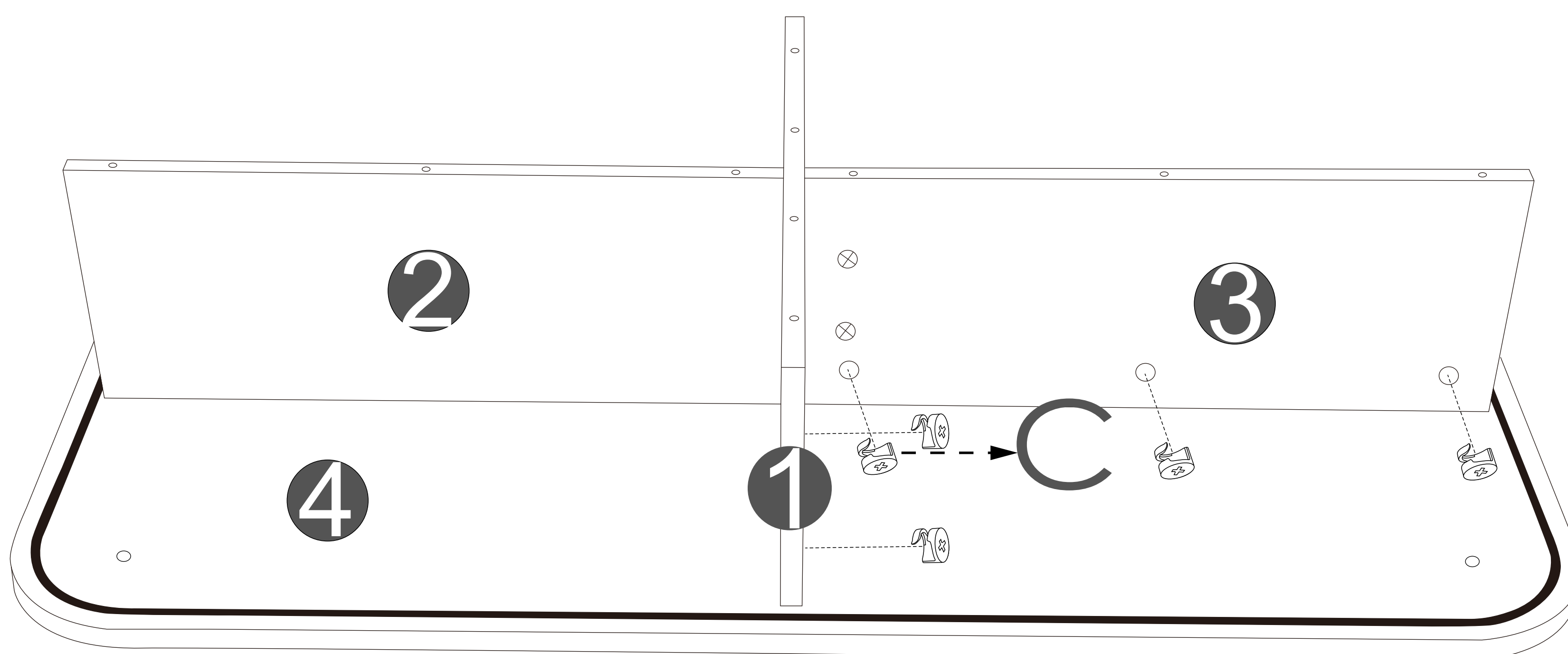
STEP 7

Position Screws C into the holes of No.1 and No.2 plates and tighten firmly.



STEP 8

Position Screws C into the holes of No.1 and No.3 plates and tighten firmly.



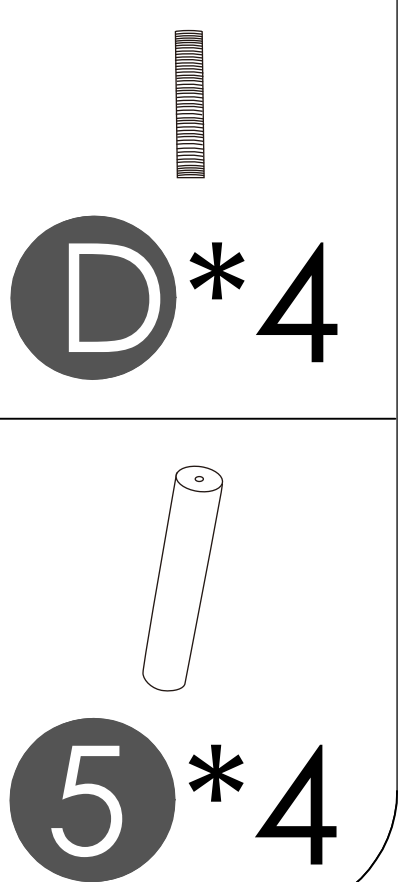
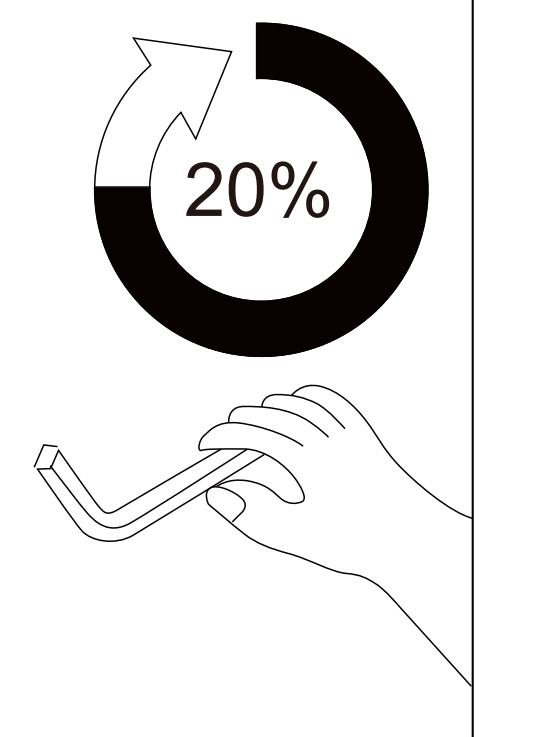
Assembly Instruction

STEP 9

Position Screws D (4 pieces) into the holes of the four No.5 legs and tighten them to 20% of the full insertion depth.

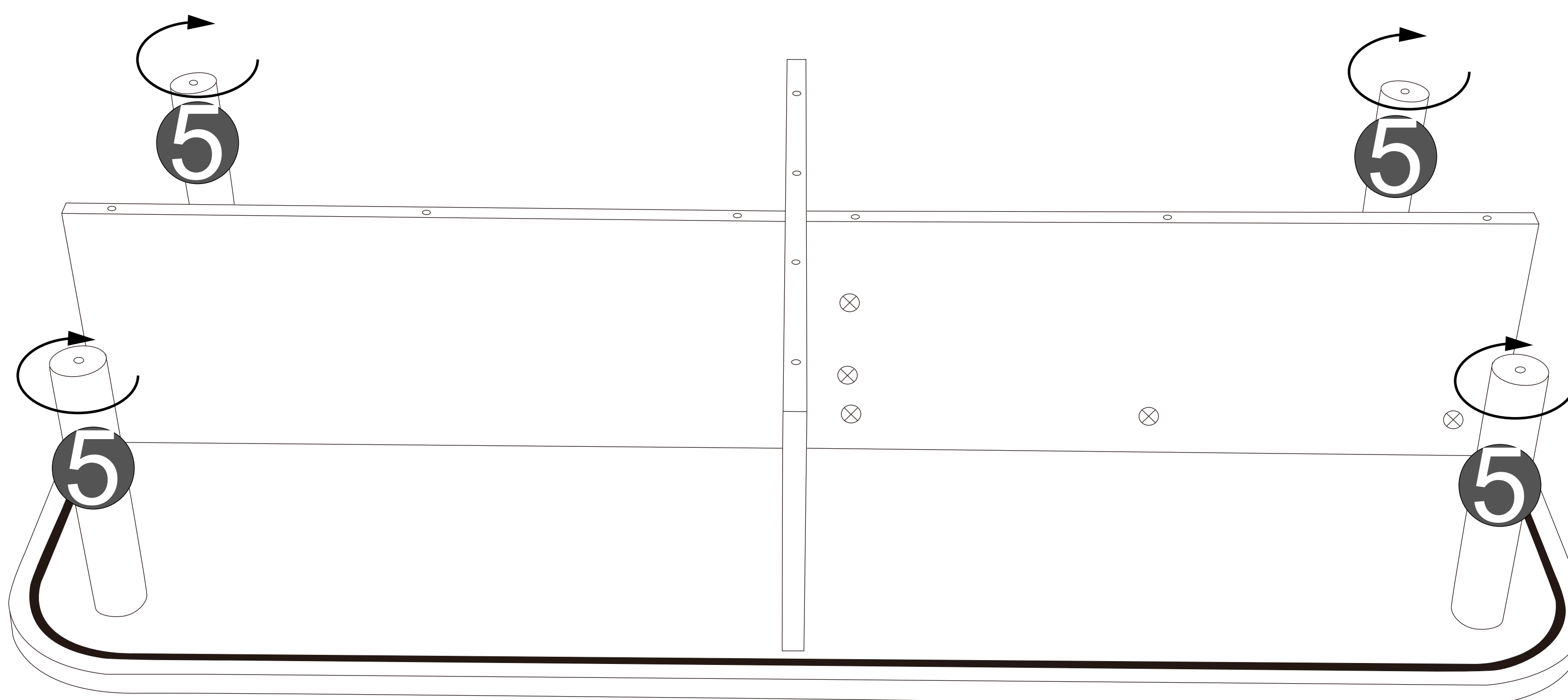


x4



STEP 10

Fasten each of the four pre-assembled No.5 legs into the corresponding four holes on No.4 plate.

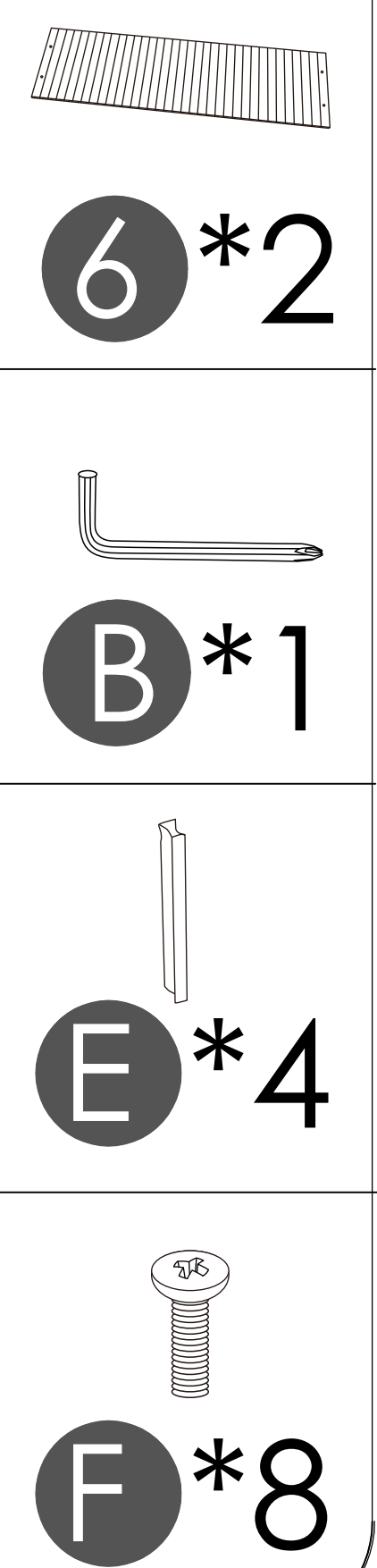
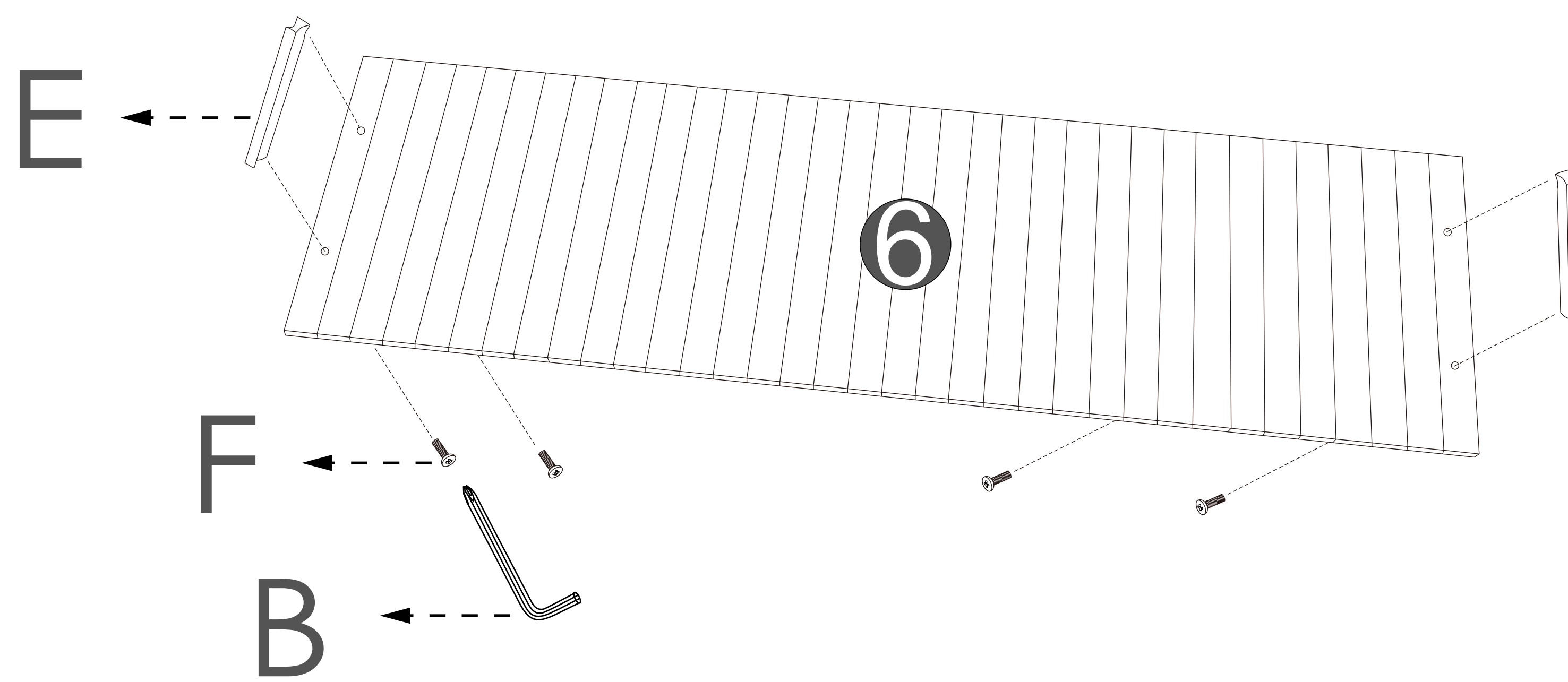


Assembly Instruction

STEP 11

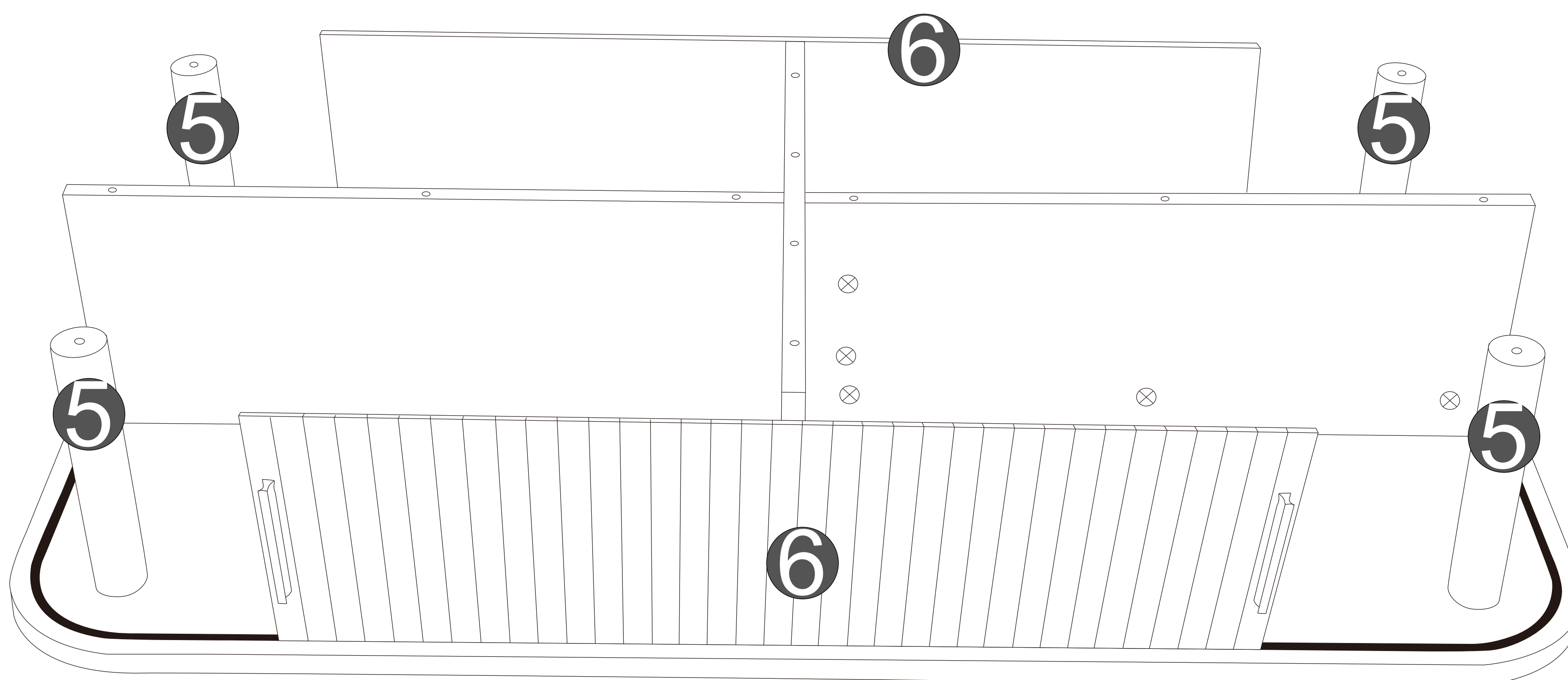
Fasten No.6 plate and Handle E together using Screws F and Wrench B. Perform this step twice for two assembled sets.

x2



STEP 12

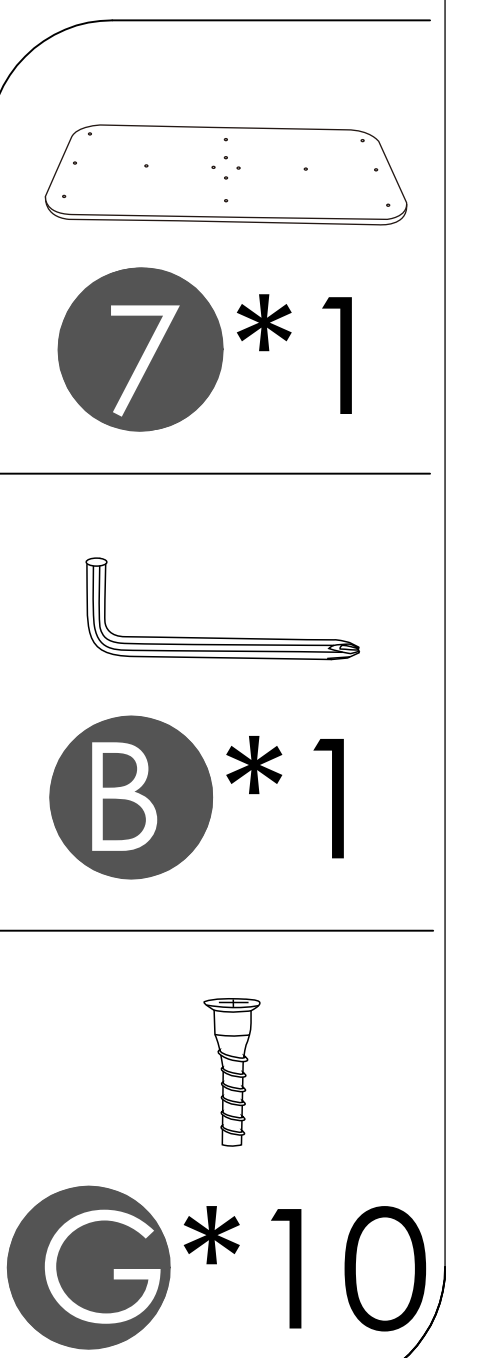
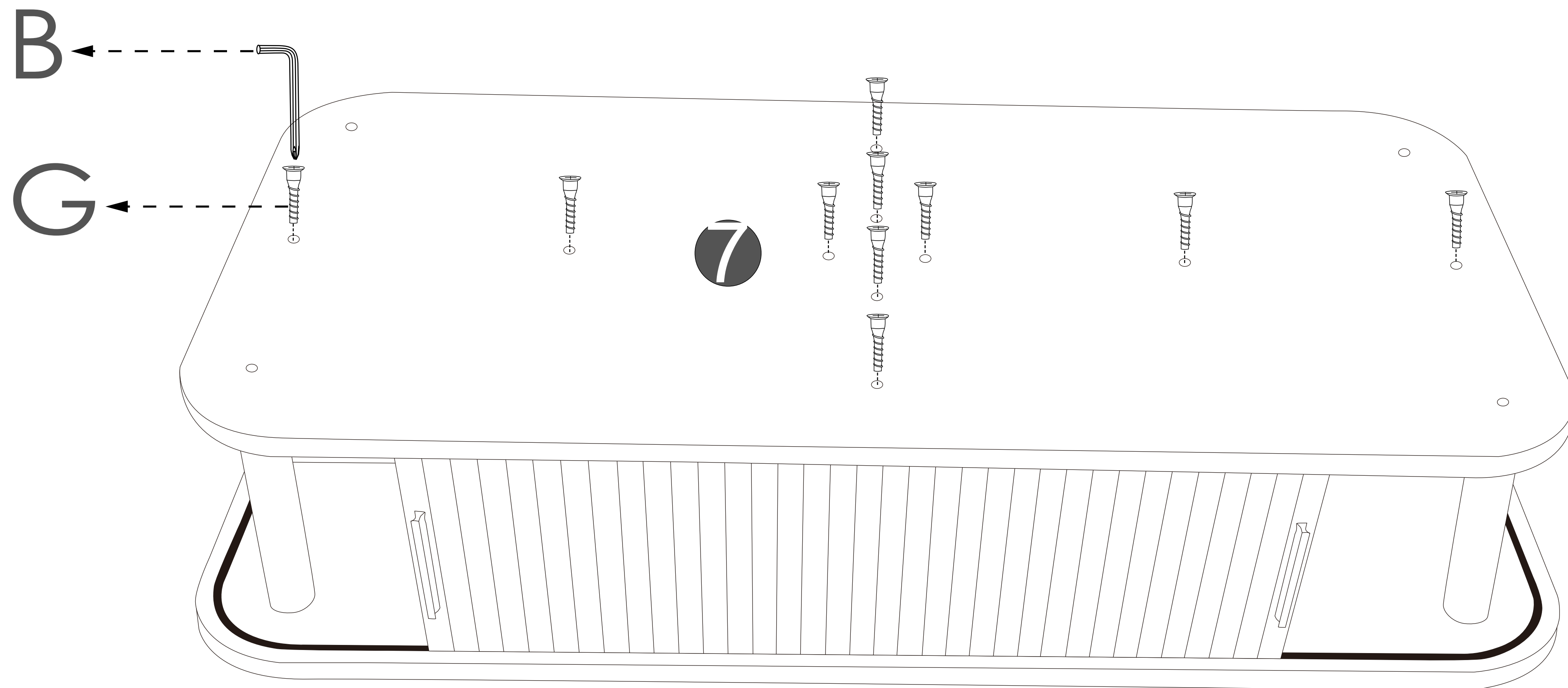
Position the two pre-assembled No.6 plate sets to match the grooves of No.4 plate, then slide them into place.



Assembly Instruction

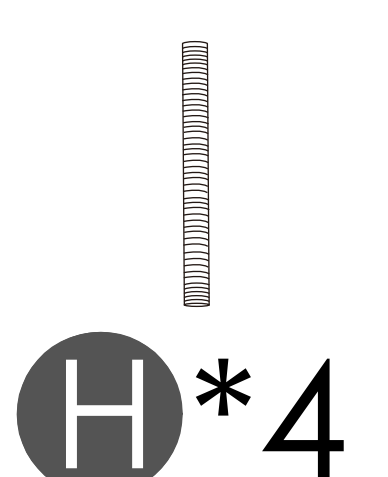
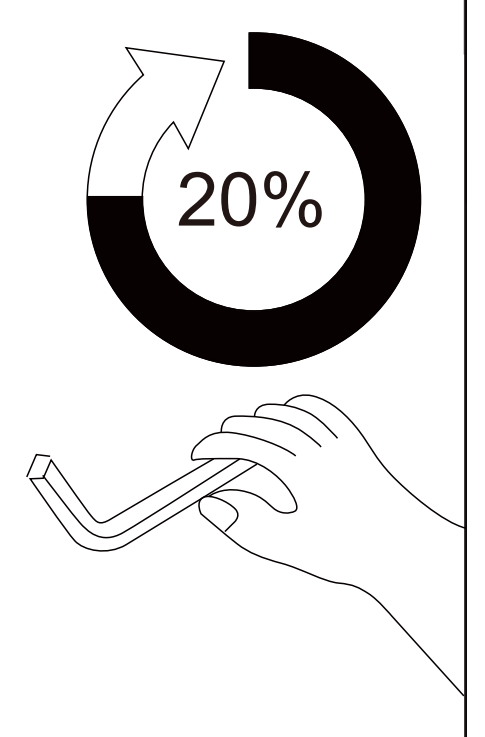
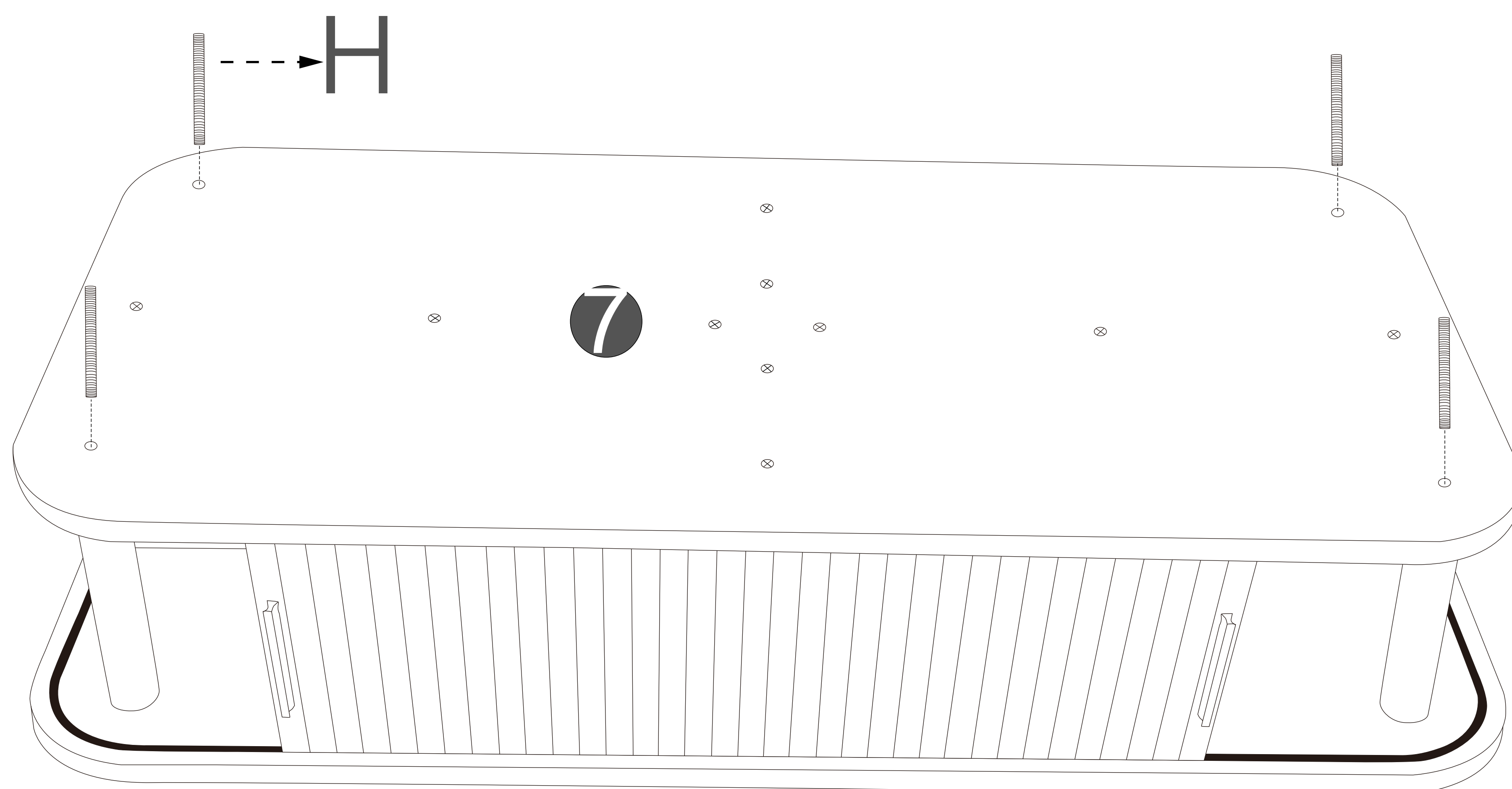
STEP 13

Position Screws C into the holes of No.7 plate and tighten firmly. Do NOT fully tighten the bolts until all of them are in the correct holes. This will allow you slight adjustments during the assembly.



STEP 14

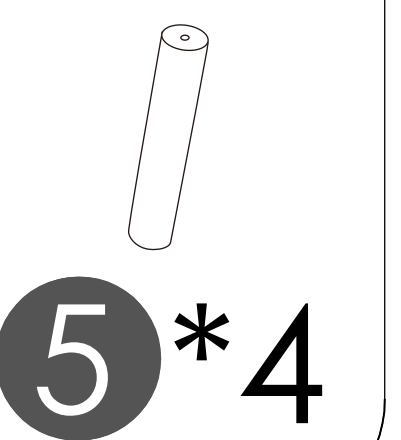
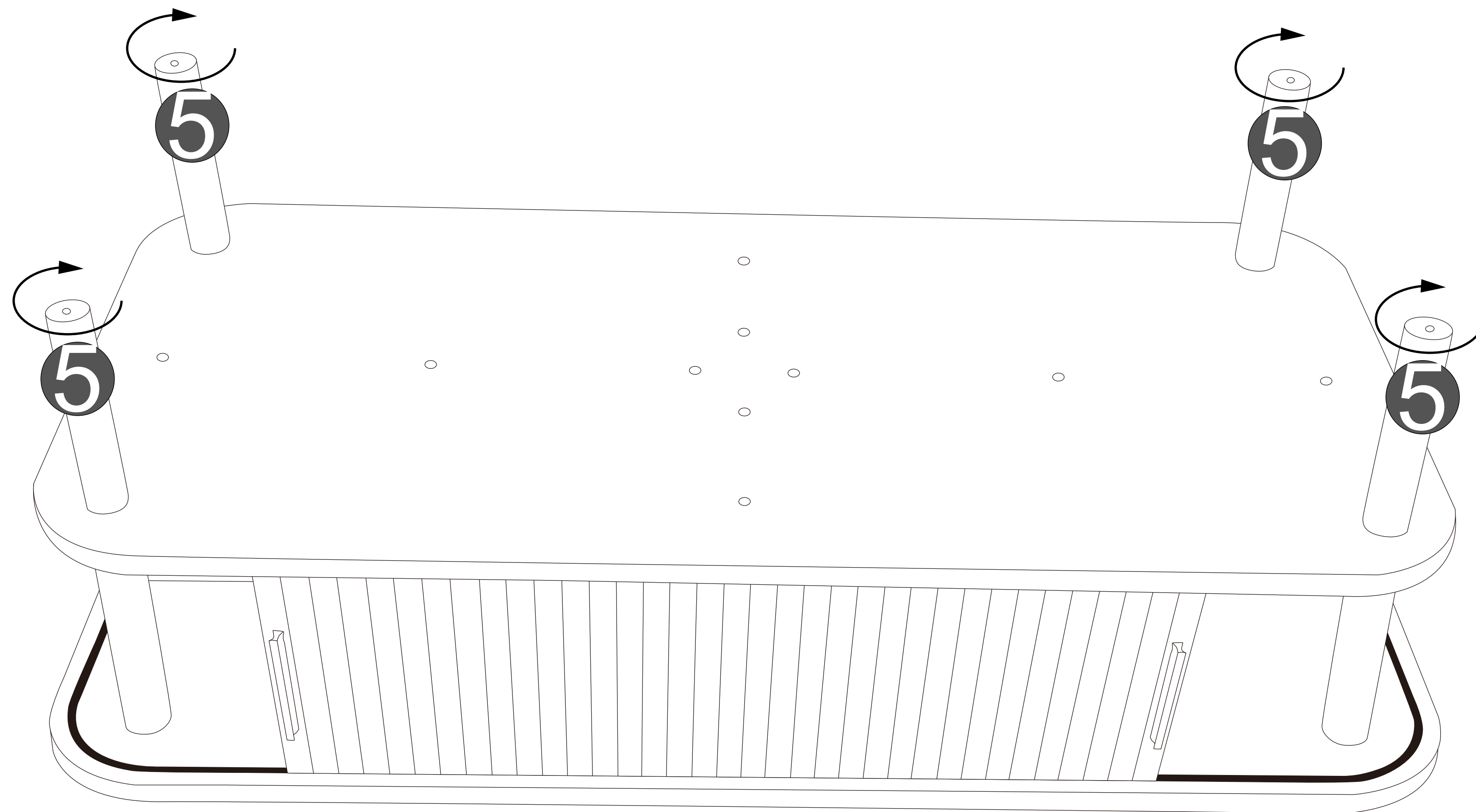
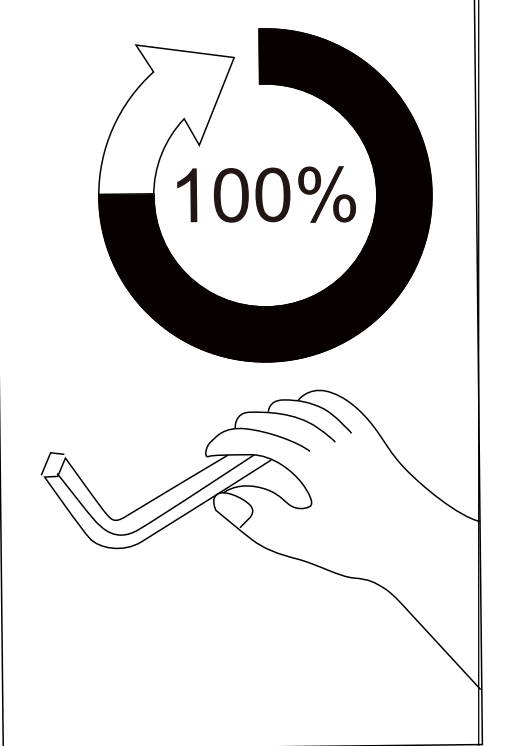
Position Screws H (4 pieces) into the four holes of No.7 plate and tighten them to 20% of the full insertion depth.



Assembly Instruction

STEP 15

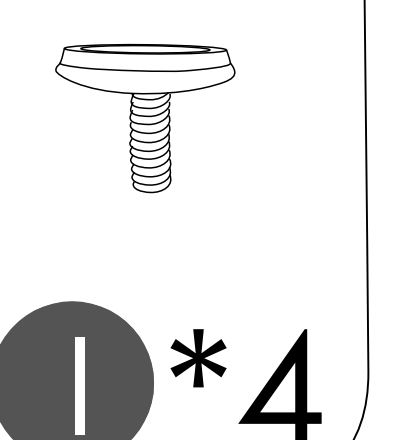
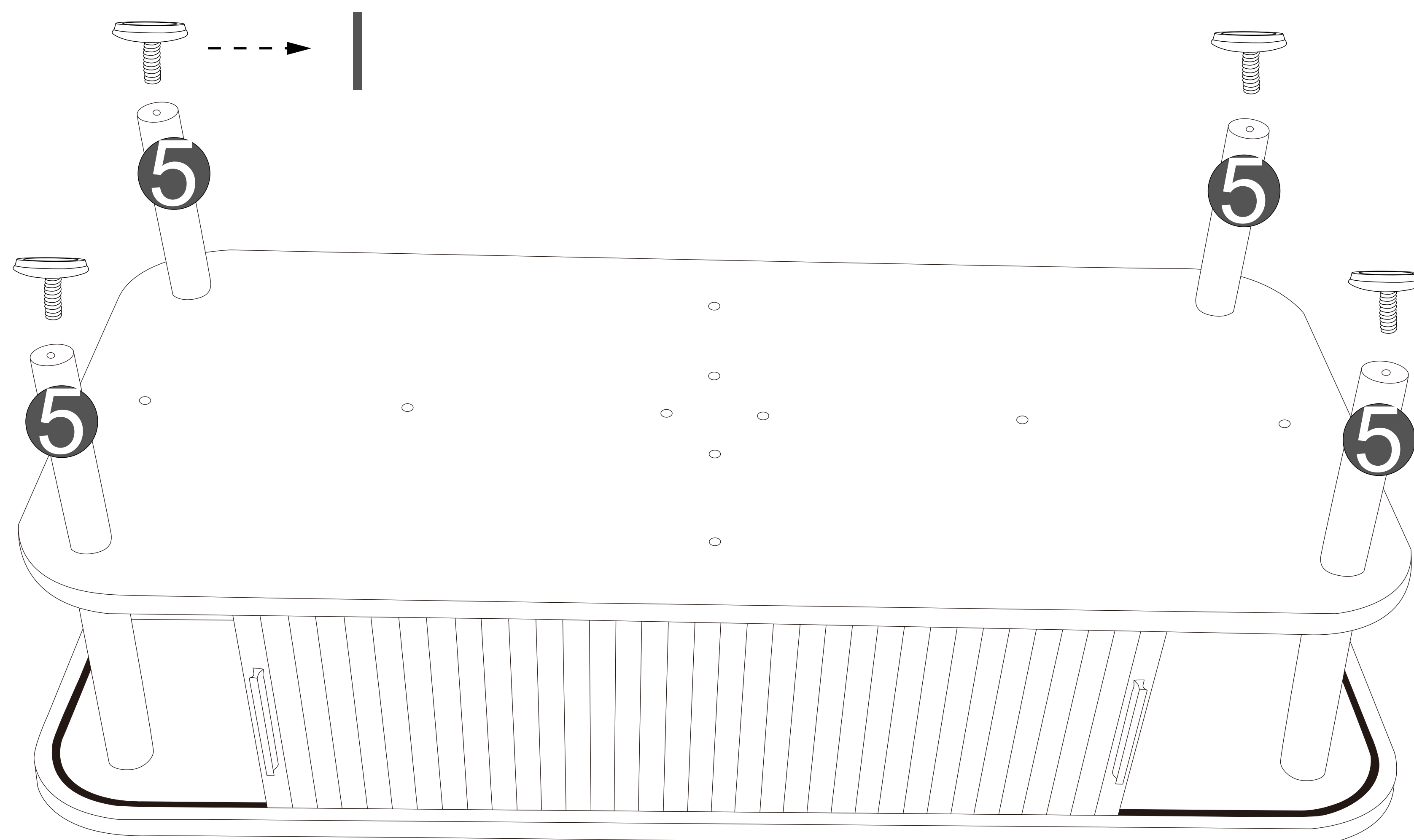
Rotate and fasten each of the four No.5 legs onto Screws H, tightening them to 100% of the full depth.



STEP 16

Fasten Foot I to No.5 legs by screwing it tightly in place.

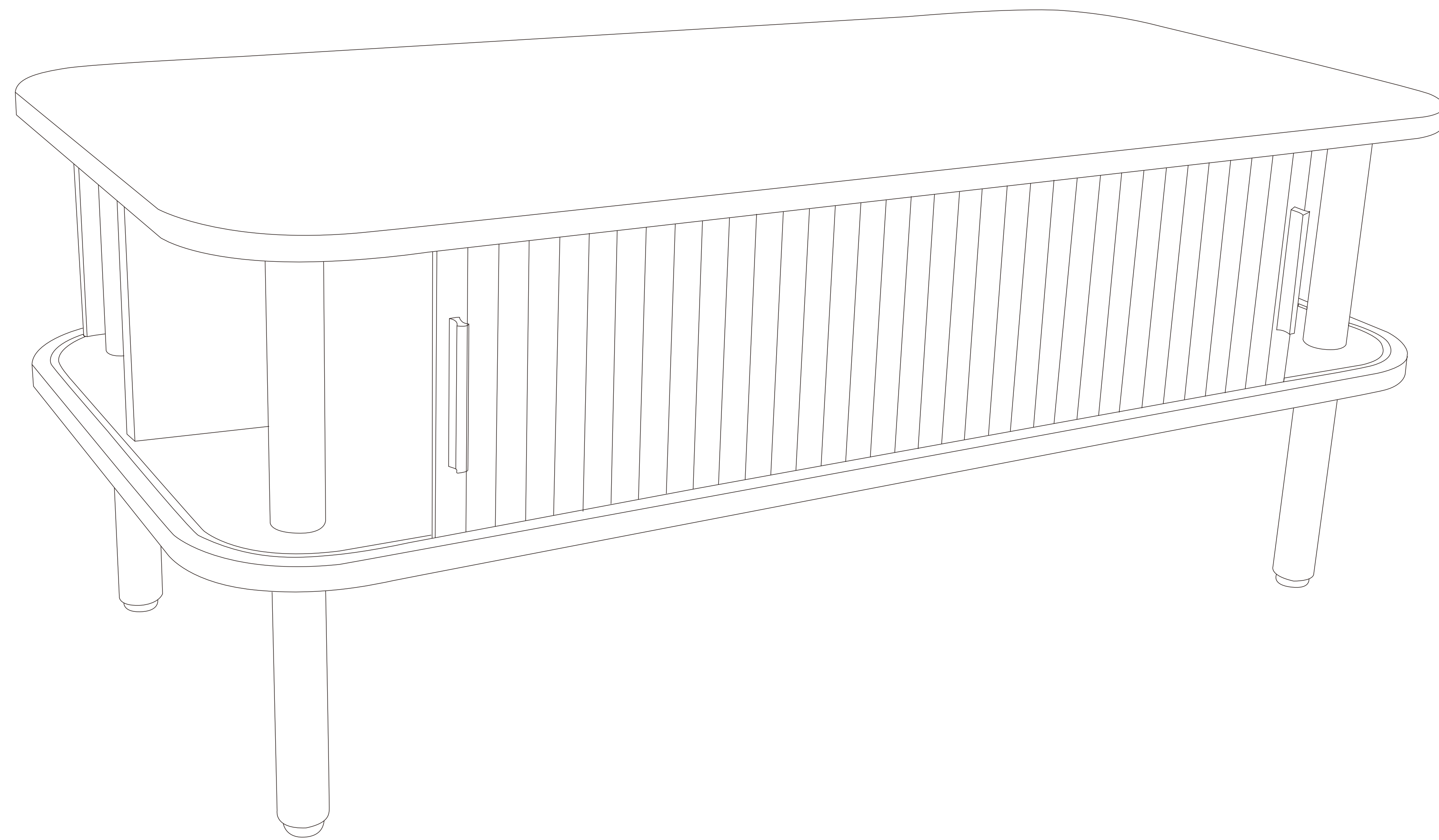
When you have assembled the four wooden legs, please keep at least two people lift the coffee table so that all four wooden legs on the ground at the same time.



Assembly Instruction

STEP 17

Assembly Finished!



DONE