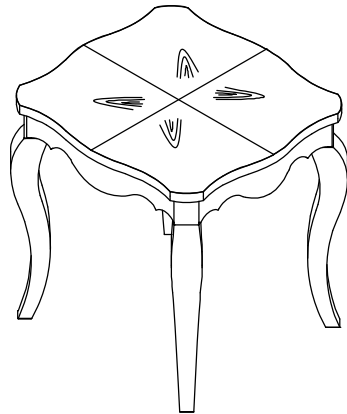


ASSEMBLY INSTRUCTION

ITEM: ACME#80682

DESCRIPTION: END TABLE

Thank you for purchasing this quality product. Be sure to check all packing materials carefully for small parts, which may have come loose inside the carton during shipment. Identify and count all parts and compare with the parts list below.

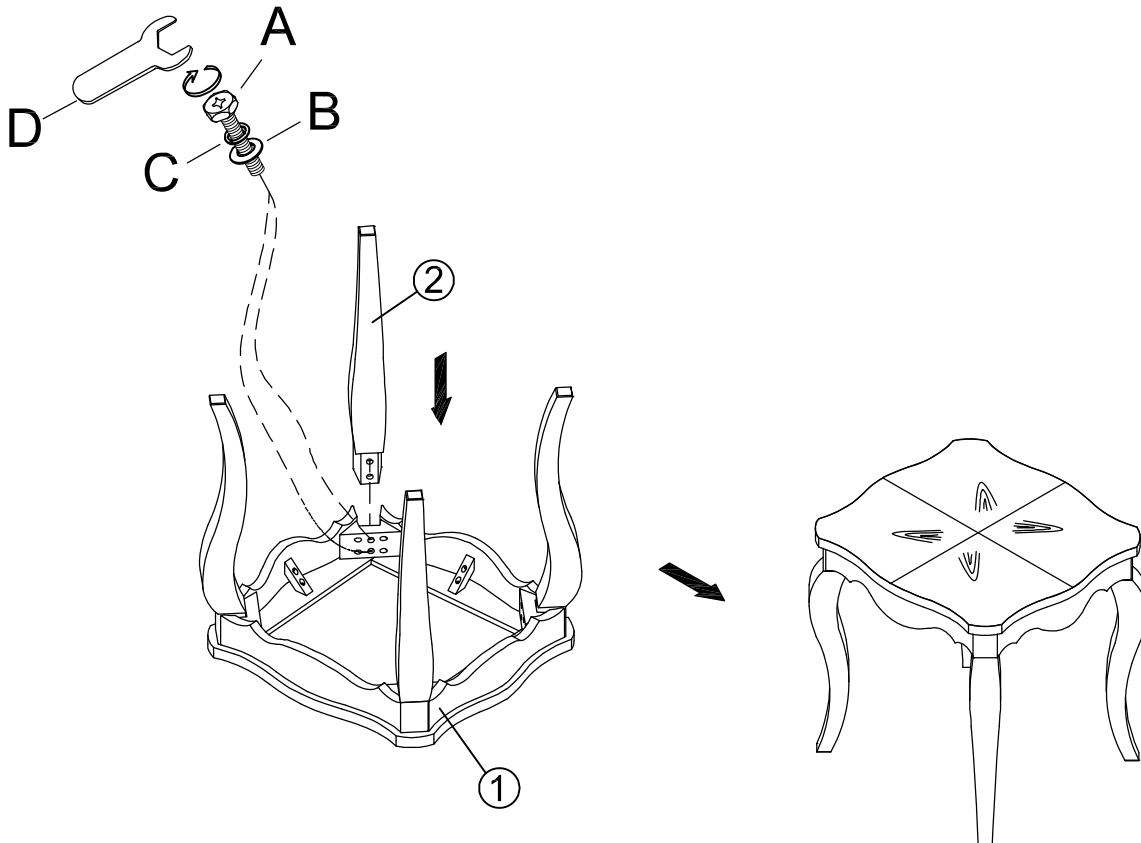


PART LIST:

①		②	
TABLE TOP:1PC		LEGS: 4PCS	

HARDWARE LIST

NO.	Drawing	Description	Q'ty
A		Bolt ($\Phi 5/16$ " \times 2-1/2")	8pcs
B		Flat washer ($\Phi 5/16$ " \times 19mm)	8pcs
C		Spring washer ($\Phi 5/16$ "	8pcs
D		$\Phi 5/16$ " Wrench(12mm)	1pc



CLEANING INSTRUCTION

Clean the surface of the end table with furniture polish and a soft cloth.

Made in Vietnam