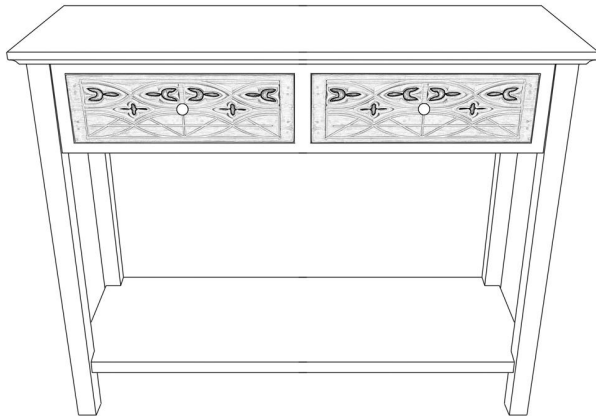


Ahokua

Assembly Instruction

Accent Console Table



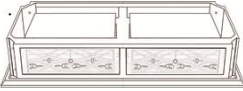






Assembly Instruction

⚠ WARNING:

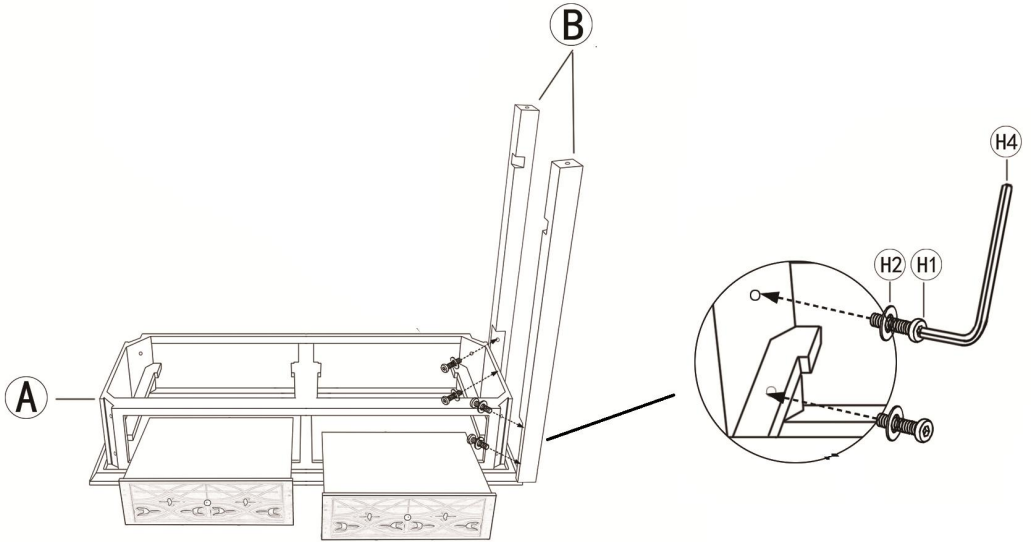
- Read all instructions carefully and completely before assembly and use.
- Retain for future reference.
- **DO NOT use power tools.**
- **DO NOT over-tighten hardware.**
- Periodically check all hardware and re-tighten as necessary.
- DO NOT use product if any component becomes damaged.
- For residential (non-commercial) use only.
- DO NOT sit or stand on product. Use only for intended purpose.
- DO NOT exceed 30lbs for the tabletop, evenly distributed.

Parts List

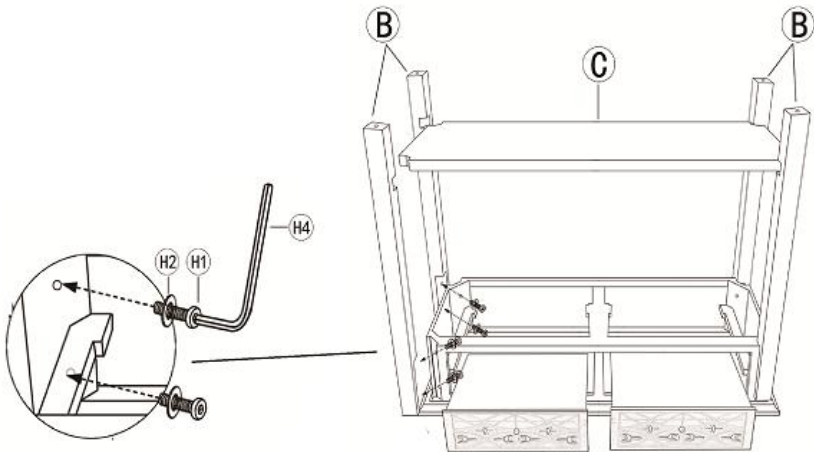
Check all parts before assembly

<p>A. <u>Tabletop</u></p>  <p>*1</p>	<p>B. <u>Leg</u></p>  <p>*4</p>	<p>C. <u>Shelf</u></p>  <p>*1</p>	
<p>H1. <u>Hexbolt</u></p>  <p>*8(+1 extra)</p>	<p>H2. <u>Washer</u></p>  <p>*8(+1 extra)</p>	<p>H3. <u>Footpad</u></p>  <p>*4</p>	<p>H4. <u>Allen key</u></p>  <p>*1</p>

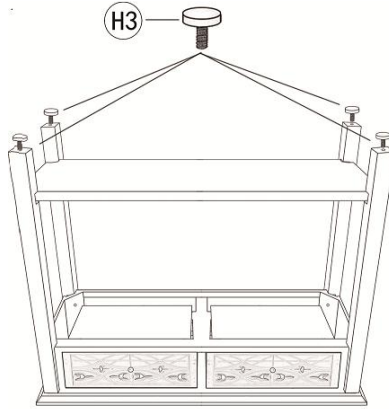
Step 1: Put the Tabletop (A) on a soft surface to protect the finish. Pull the drawers out, attach the Legs (B) to the body with Hex bolt(H1)&Washer(H2) by Allen key (H4) as below photo shown.



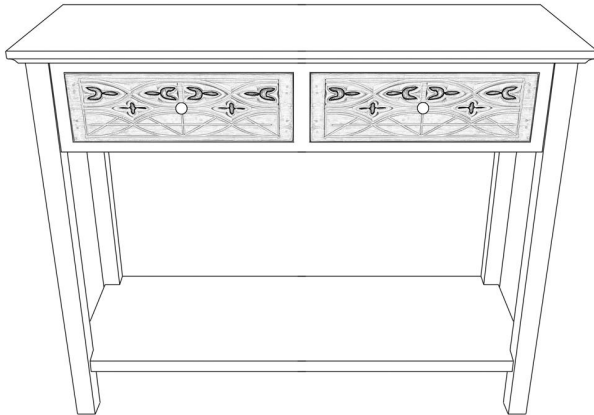
Step 2: Place the Shelf (C) to the Legs (B), and attach the last 2 Legs(B) to it with Hex bolt(H1)&Washer(H2) by Allen key (H4) as below photo shown.



Step 3: Attach the Foot pads (H3) to the bottom of the Legs (B) as below photo shown.



Assembly finished.



Notice:

If you encounter any issues during installation or use, please email us at support@mi-din.com, including your order ID and a detailed description of the problem. If possible, please provide relevant images to expedite assistance. We will strive to resolve any issues promptly.