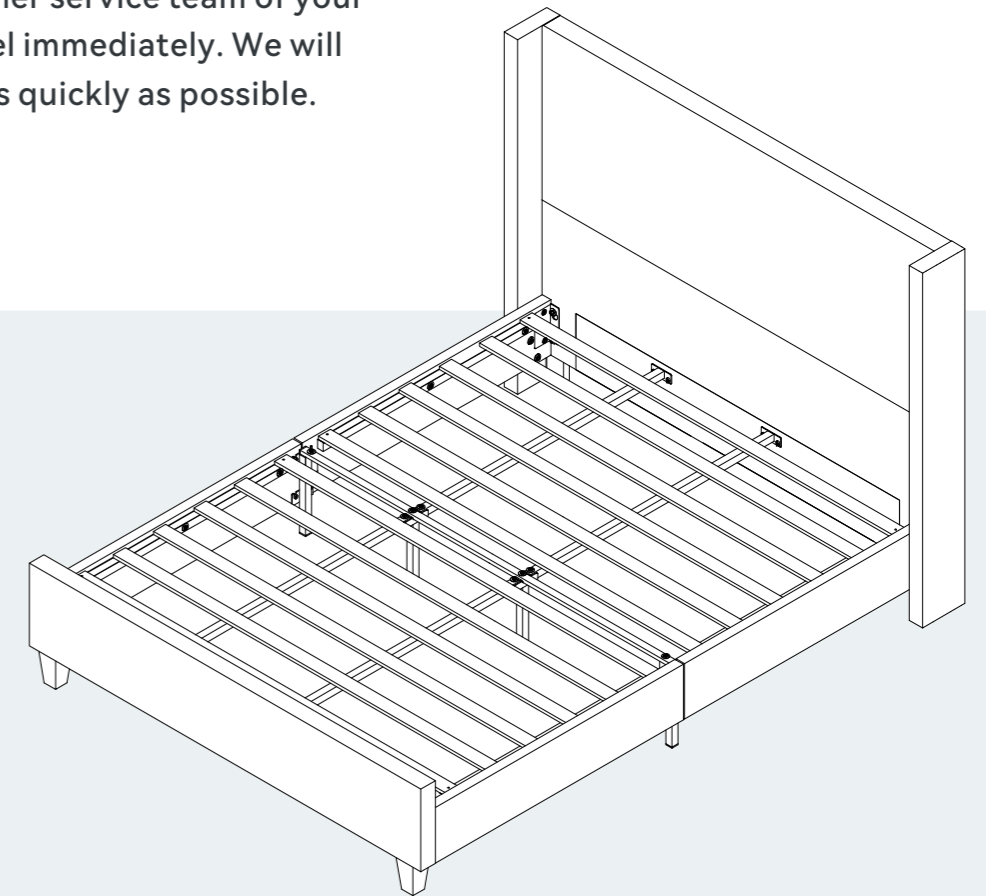


# | Bed

Assembly Instruction – Please keep properly for future reference.

If you find any missing boxes, damaged parts, or accessory shortages, please contact the customer service team of your purchasing channel immediately. We will resolve the issue as quickly as possible.



P100255132  
P100265119  
P100265148

V1.0

EN

## CONTACT US

- Email: [service@grandtunnel.com](mailto:service@grandtunnel.com)

In order to receive assistance more quickly, please provide

## THE FOLLOWING INFORMATION:

- Order number
- Purchase platform
- Purchase date
- Detailed description of the issue along with photos (if applicable)

**Important** – Please read these instructions carefully before starting the installation.

# Before Assembly



Thank you for choosing this product!

To ensure safe use and long-term maintenance, please read this manual carefully and keep it properly for future reference.

## Packaging Notice:

### Box and Packaging Verification

If you find any missing boxes, damaged parts, or accessory shortages, please contact the customer service team of your purchasing channel immediately. We will resolve the issue as quickly as possible.

## Important Notice:

- . To ensure a smooth and successful installation, please read this guide carefully. It provides essential information about the required tools, materials, and assembly steps. Follow the instructions in each section to avoid any issues caused by improper installation.
- . Please review all operational and safety guidelines to ensure proper and secure assembly.
- . This guide reflects the most current product information available at the time of printing. We reserve the right to make changes to product features, packaging, or availability without prior notice.
- . Before starting assembly, ensure that all necessary electrical and environmental preparations are completed.
- . This manual contains important instructions regarding installation, cleaning, and maintenance. Please read it thoroughly and keep it for future reference.

## Pre-Installation Checklist

### 1. Inspect the Product

Before installation, carefully examine the product for any damage or defects. If any issues are found, contact customer support before proceeding with assembly.

### 2. Ensure a Stable Installation Surface

Assemble the bed on a clean, flat, and stable surface to ensure proper balance and structural integrity.

### 3. Avoid Unfavorable Environments

Do not place the bed in humid areas or locations exposed to prolonged direct sunlight, as this may affect its durability.

### 4. Handle with Care During Installation

Use protective materials (such as soft cloths) while handling the product to prevent scratches or damage during assembly.

### 5. Contact Customer Support for Assistance

If you have any questions or require technical support, refer to the customer service contact information provided in this manual.



## Safety Warnings

### 1. Follow Warning Labels

Do not remove, alter, or obscure any warning labels on the product or packaging. Always adhere to the displayed safety instructions to ensure proper usage.

### 2. Conduct Regular Inspections

Periodically inspect all components to ensure they are properly installed, undamaged, and securely fastened. Report any issues to customer support immediately.

### 3. Practice Safe Usage

Avoid playing, jumping, or engaging in activities on or under the bed, as this may cause injury or structural damage.

### 4. Beware of Rope Hazards

Do not attach ropes, hooks, straps, or any non-designated accessories to any part of the bed, as this may pose a safety hazard.

### 5. Keep This Manual for Reference

Store this manual in a safe and accessible place for future reference.

### 6. Safety is a Shared Responsibility

Ensuring safety is a joint responsibility between the manufacturer and the user. Please follow all safety precautions during assembly and use.

## Disclaimer

We are committed to delivering safe, high-quality, and reliable products to our customers. If you have any questions, concerns, or require further assistance, please contact our customer service team without hesitation.

# Maintenance and Care Recommendations



## 1. Regular Cleaning

To maintain hygiene and prevent bacterial growth, clean the product regularly. Use a damp, well-wrung cloth to avoid excess moisture and prevent surface scratches.

## 2. Prevent Corrosion

Keep the product away from acidic or alkaline substances, as they may cause corrosion or damage to the materials.

## 3. Use Only Authorized Replacement Parts

Do not use unauthorized or third-party replacement parts, as they may compromise the product's safety and durability. If a replacement is needed, contact the manufacturer or an authorized dealer for approved parts.

## 4. Cleaning Precautions

Do not machine wash or rinse any part of the product directly with water, as this may damage the materials and reduce product lifespan.

## 5. Prevent Pests

Keep wooden furniture away from damp or humid areas to prevent pest infestations and wood damage. Use a dehumidifier or air conditioner during humid seasons to maintain a dry environment.

## 6. Protect from Sunlight

Avoid placing furniture in direct sunlight, as prolonged exposure may cause cracking, discoloration, or fading. If sunlight exposure is unavoidable, use curtains or shades to minimize damage.

## 7. Keep Away from Fire

Position furniture away from heat sources and open flames to prevent damage and maintain its condition.

## 8. Perform Regular Care

Apply furniture oil periodically to maintain the wood's shine, prevent cracks, and extend its lifespan.

## 9. Clean Frequently

Regularly vacuum dust and debris, especially underneath furniture, to keep it clean and hygienic.

## 10. Maintain a Dry Environment

Ensure good ventilation to prevent moisture buildup, which can damage wood. Use a dehumidifier if necessary to protect the furniture.

## 11. Avoid Corrosive Liquids

Keep furniture away from acidic or alkaline substances, as these can damage the surface and reduce durability.

## 12. Use a Damp Cloth for Cleaning

Wipe furniture with a well-wrung damp cloth to prevent water damage or swelling.

Avoid excessive moisture exposure.

## 13. Limit Sun Exposure

Excessive sunlight can dryout and weaken wood. Position furniture in shaded areas or use UV-blocking curtains to protect it from damage.



## Customer Service Guide

Thank you for choosing our product! We are committed to providing you with excellent service. If you find any missing parts, damaged packaging, or product damage after receiving all packages, please follow the steps below to quickly contact our customer service team. We will do our best to resolve your issue.

### 1. Missing Parts

#### Verify Parts:

1. Refer to the "Parts List" in the manual to verify the name, specifications, and quantity of the missing parts.
2. Take a clear photo of the parts list and mark the missing parts with detailed information, e.g., "Missing 5 pieces of M6×30mm screws."

#### Contact Us:

##### By Email:

Send an email to [service@grandtunnel.com](mailto:service@grandtunnel.com), with the subject line "Missing Parts Issue." Include the following in the email:

- . A description of the missing parts and a photo of the parts list.
- . Order details (order number, purchase platform, purchase date).

### 2. Product or Packaging Damage

#### If it affects normal use:

##### Steps:

1. Take clear photos or videos showing the damaged parts and the extent of the damage (multi-angle shots are recommended).

2. Email the photos/videos along with order details to [service@grandtunnel.com](mailto:service@grandtunnel.com), with the subject line "Product Damage Issue."

**Resolution:**

After verification, we will arrange for a replacement part, product exchange, or refund as quickly as possible.

**If it does not affect normal use:**

**Steps:**

1. Contact our customer service team (by email: [service@grandtunnel.com](mailto:service@grandtunnel.com)).
2. Provide a description of the damage and include relevant photos or videos.

**Resolution:**

We will provide repair guidance or an appropriate compensation plan based on the specific situation.

**Contact Us:**

Customer Service Email: [service@grandtunnel.com](mailto:service@grandtunnel.com)

**Helpful Tips**



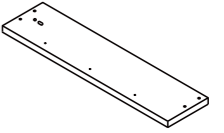
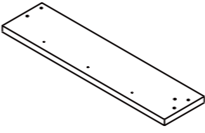
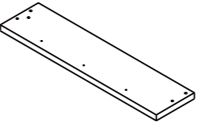
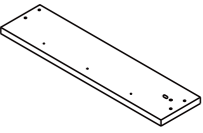
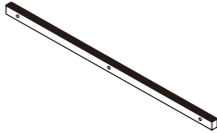
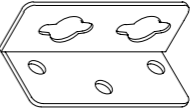
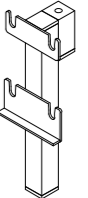
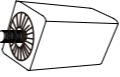
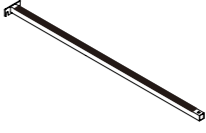
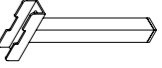
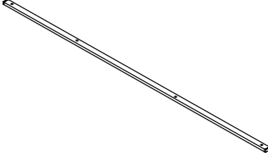
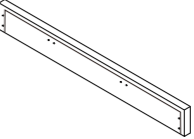

**To process your issue efficiently, please prepare the following information:**

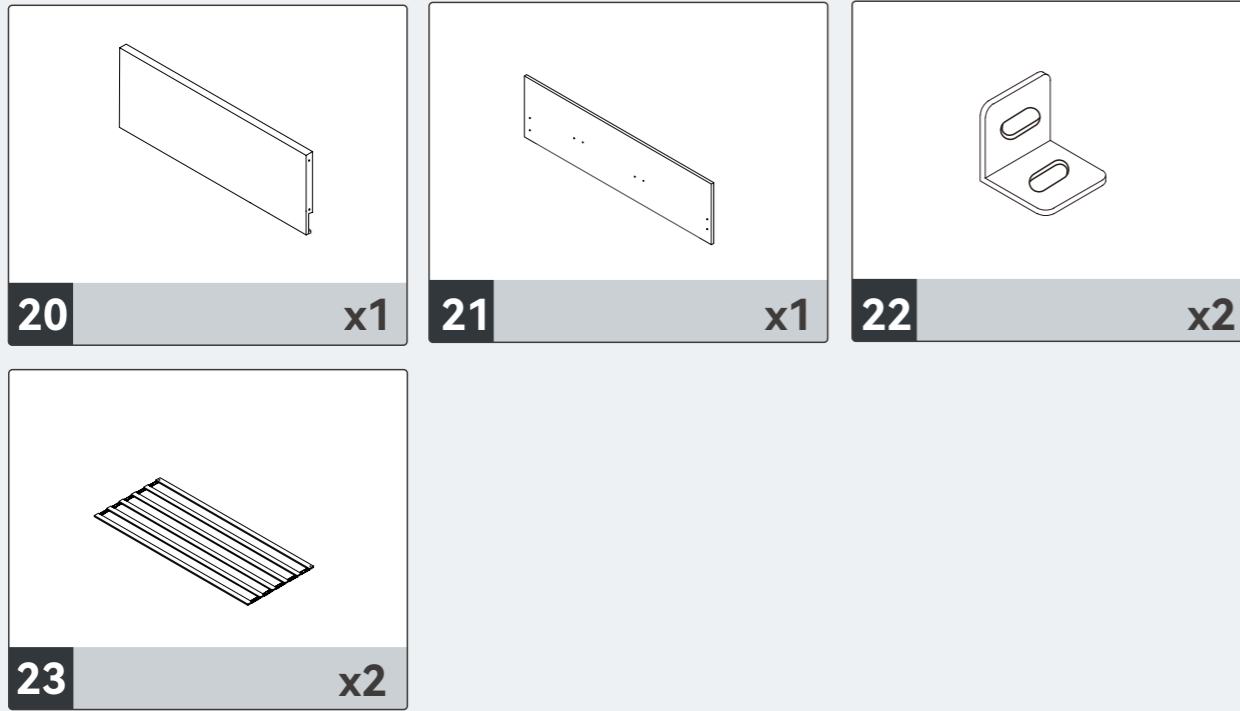
- . Order details (order number, purchase platform, purchase date).
- . Clear photos or videos.
- . We are committed to providing quick and professional solutions, no matter the size of the issue, to ensure your satisfaction.

**Thank you for your trust and support!**  
**We hope you enjoy using our product!**

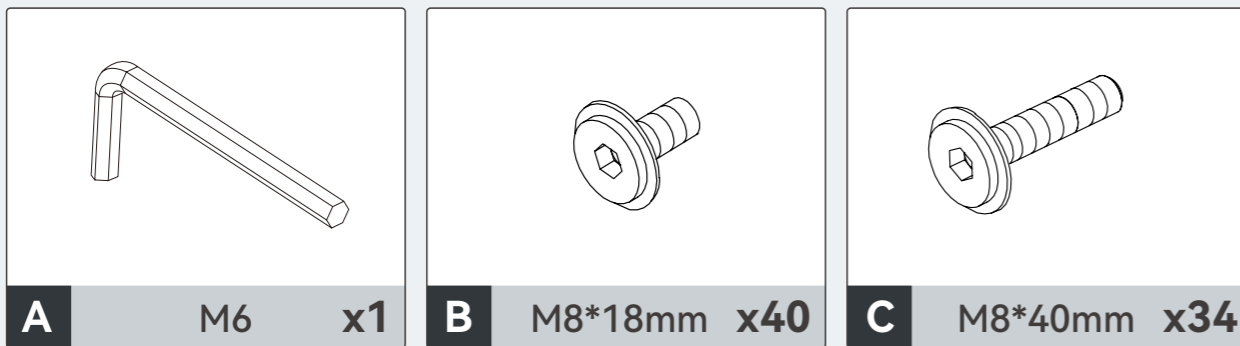


## Parts List

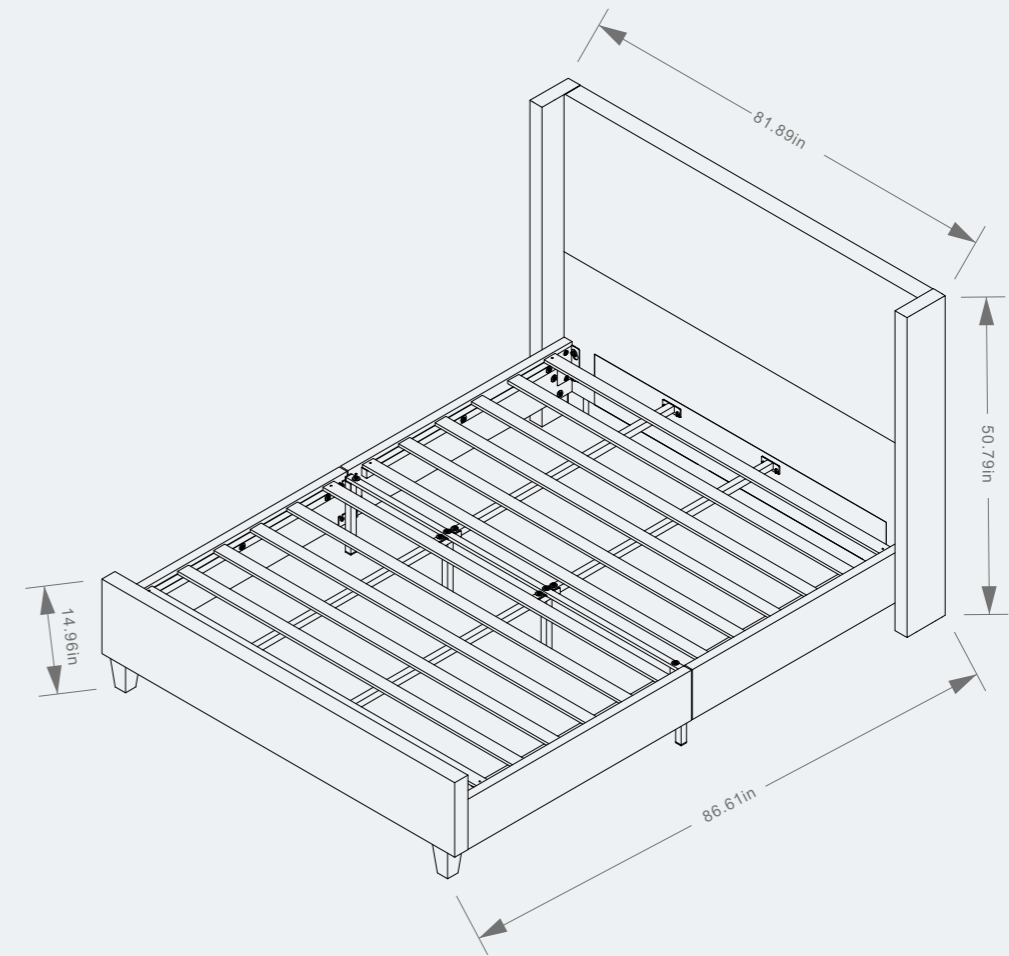
		
<b>1</b> x1	<b>2</b> x1	<b>3</b> x1
		
<b>4</b> x1	<b>5</b> x1	<b>7</b> x1
		
<b>8</b> x4	<b>10</b> x4	<b>11</b> x2
		
<b>12</b> x2	<b>13</b> x4	<b>14</b> x2
		
<b>16</b> x1	<b>17</b> x1	<b>18</b> x2



**Hardware List**

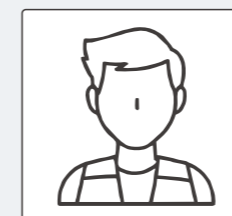


**King size**

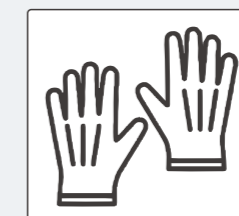


**Important:**  
In each of the previous steps, tighten all screws to approximately 70% to stabilise the overall frame during assembly. Do not fully tighten any screws until the final step is completed.

**Tools & Equipment**



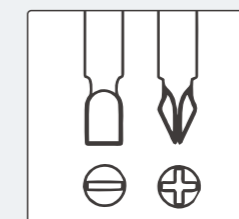
2 people needed



Work gloves

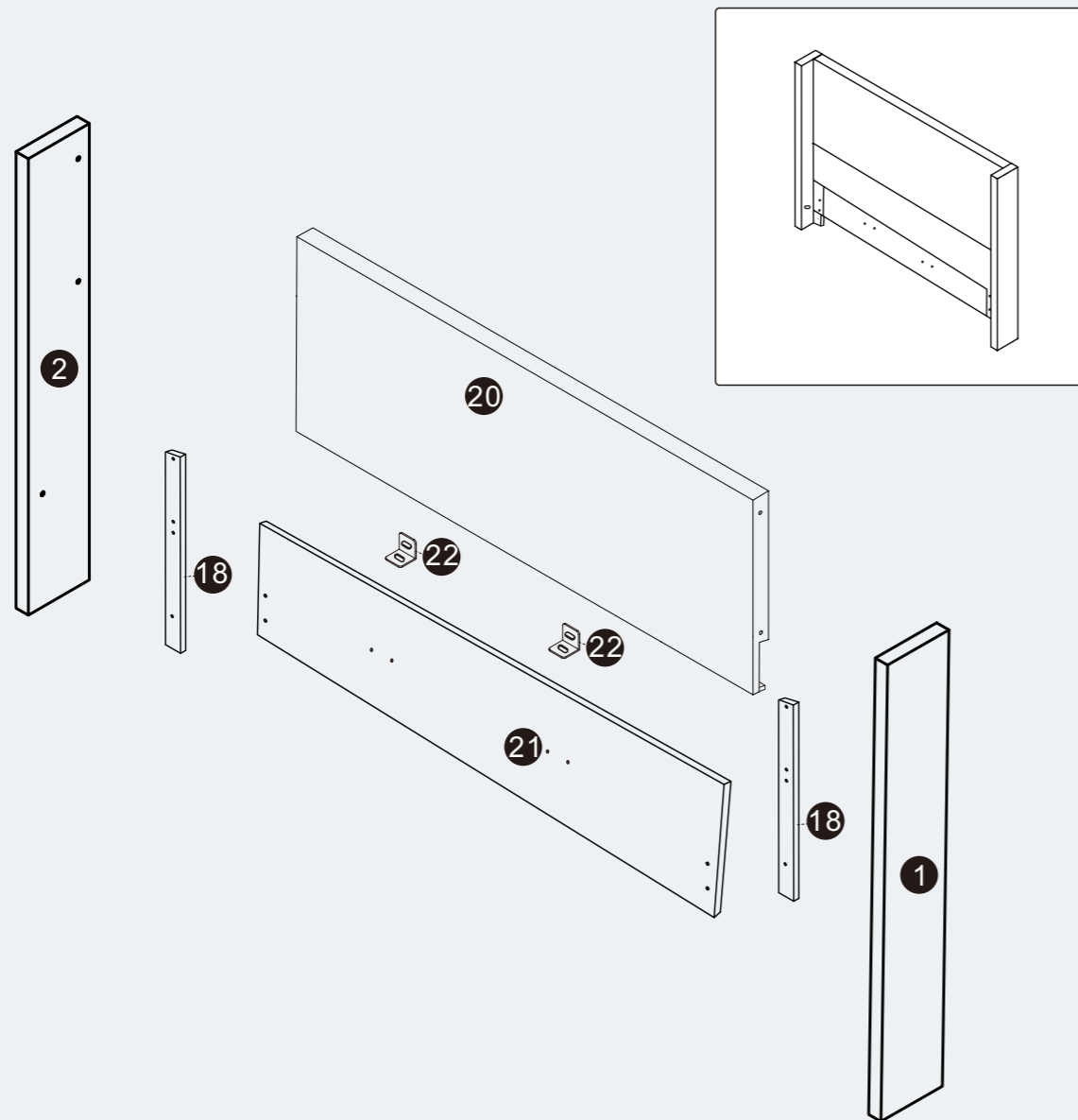


Tape measure




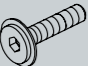
Other Tools Required  
Phillips Screwdriver  
(Not Included)

# Headboard Section Installation



The headboard section assembly requires a total of 7 labeled panels shown in the diagram. Please locate all of them and prepare them for use.

## Hardware Accessory List

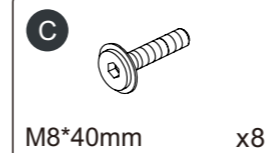
<b>B</b>		M8*18mm x12
<b>C</b>		M8*40mm x12

## Note:

Ensure all hardware components are accounted for before beginning assembly. Missing or damaged hardware should be reported to customer service for replacement.

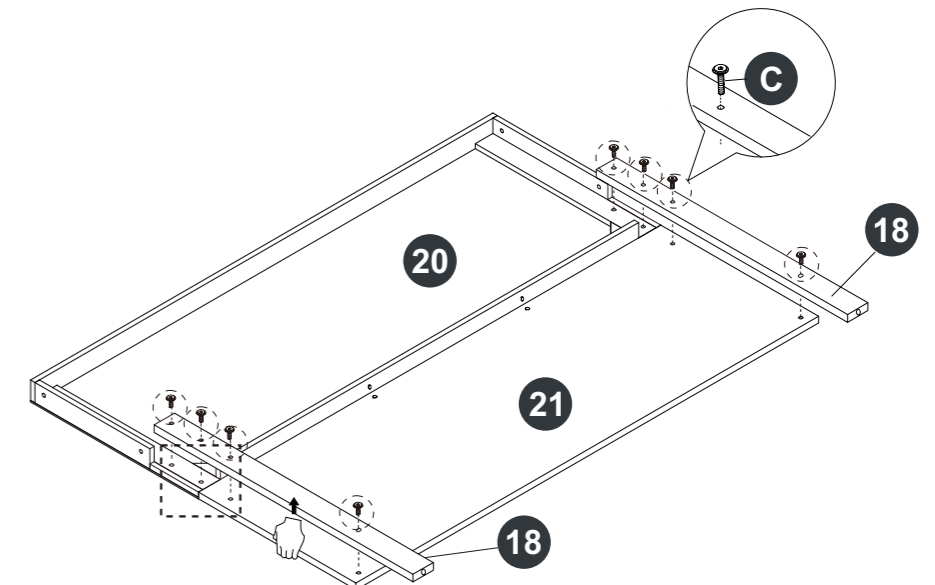
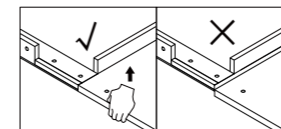
## Step 1

## Headboard Section



M8\*40mm x8

### Note



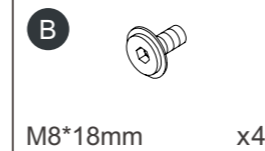
Place headboard top panel 20 and bottom panel 21 according to the instruction diagram. Join 20 and 21 using headboard foot 18, secure with screw C.

### Note:

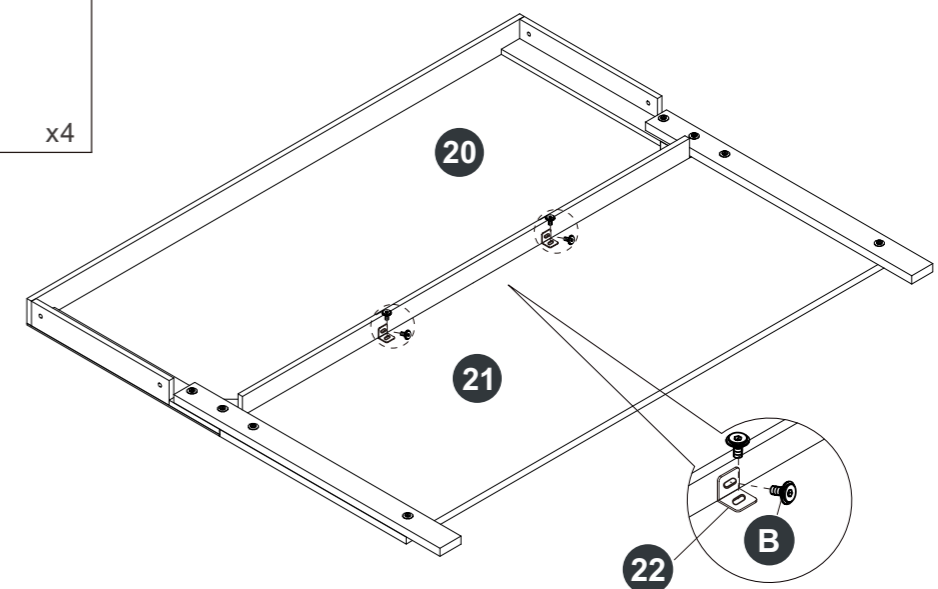
First loosely screw in all screws, then fully tighten them. Support board 21 by hand during assembly.

## Step 2

## Headboard Section



M8\*18mm x4



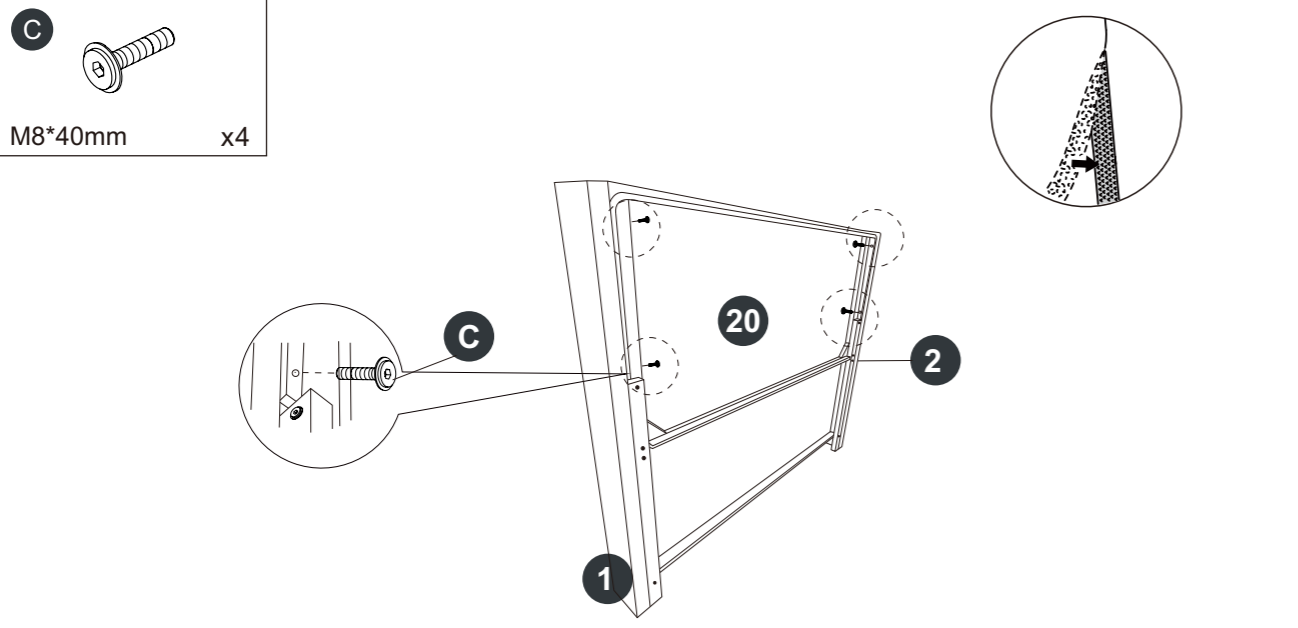
Install L-shaped iron plate 22 onto headboard panels 20/21 and secure with screw B.

### Note:

First screw in all screws loosely, then tighten all completely.

## Step 3

## Headboard Section

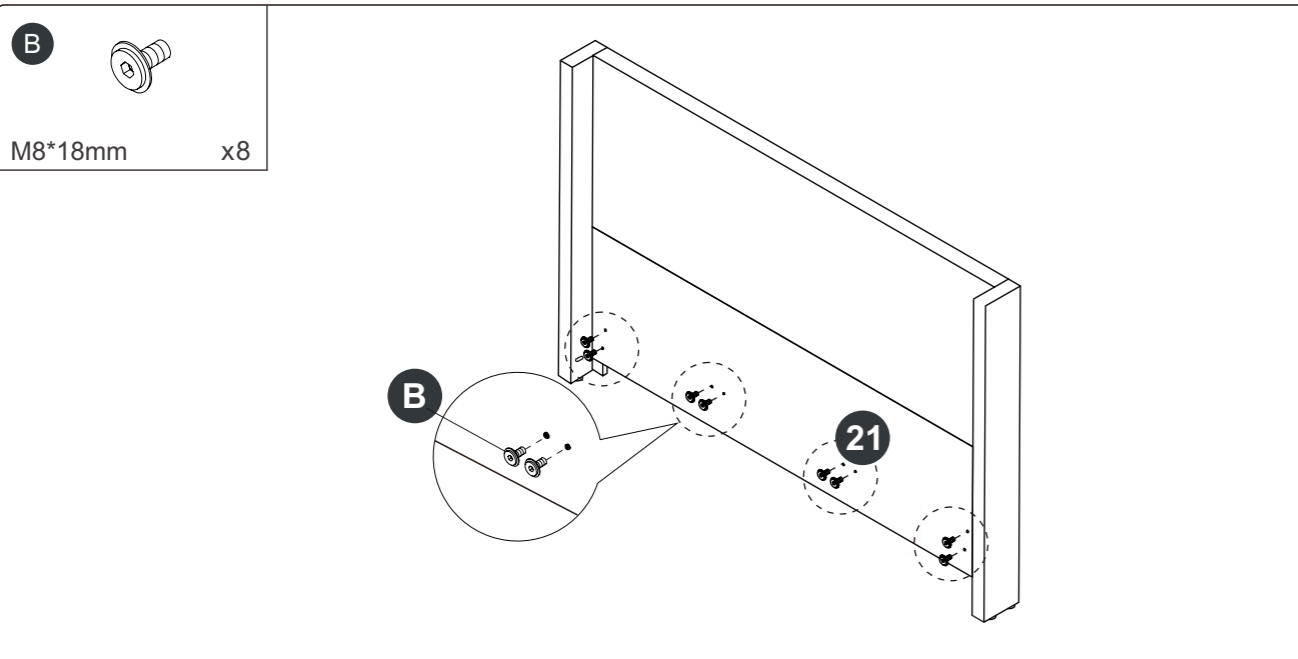


Assemble headboard top panel 20 and ear panels 1 and 2, secure with screw C. Smooth out the fabric cover.

**Note:**  
First screw in all screws loosely, then tighten all completely.

## Step 4

## Headboard Section



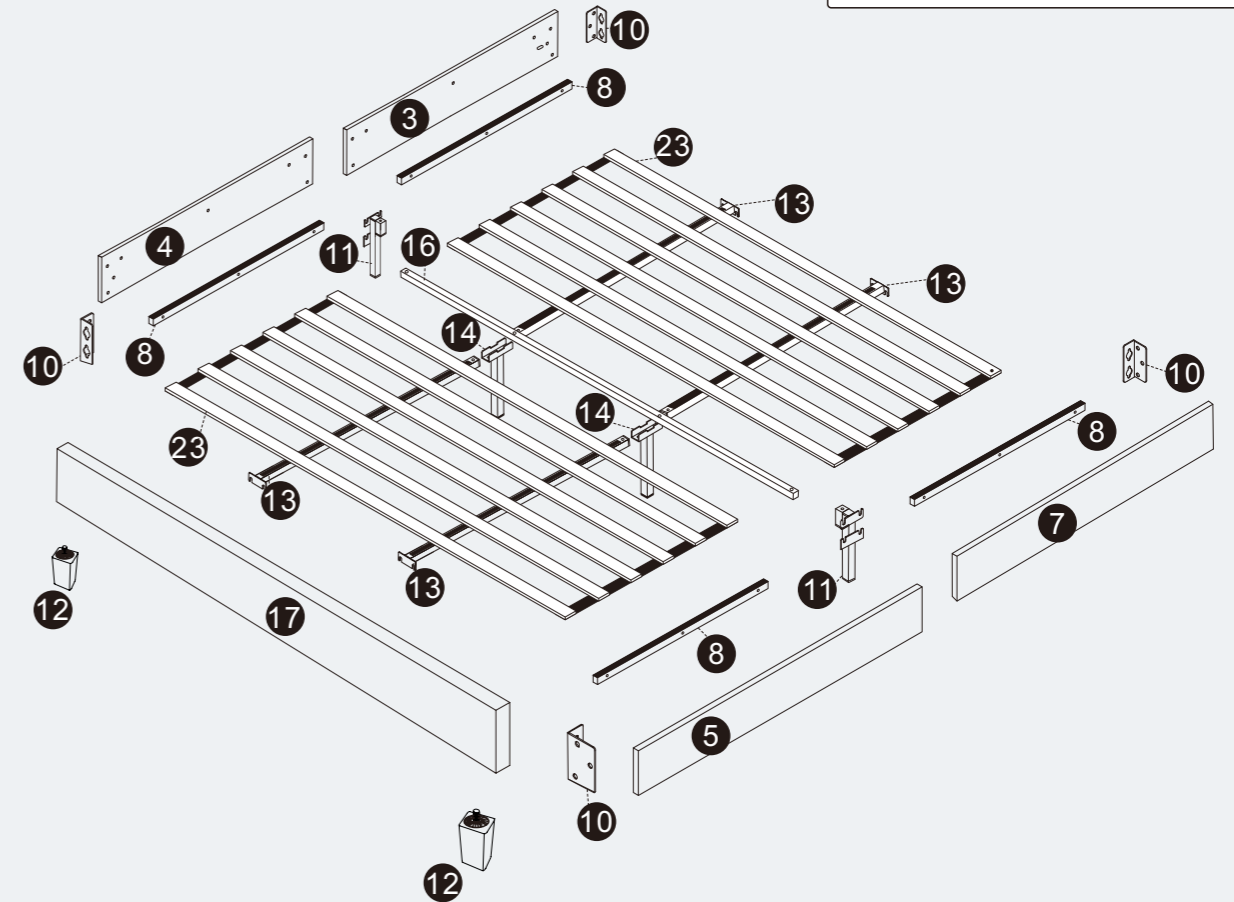
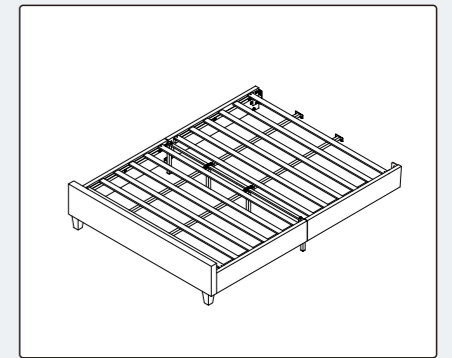
Preassemble screw B in corresponding holes of headboard bottom panel 21, do not tighten yet.

**Note:**  
Screw B should be tightened only halfway (50%) to facilitate later assembly.


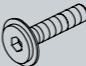
## Frame Parts Section Installation



The Frame Parts section assembly requires a total of 26 labeled panels shown in the diagram. Please locate all of them and prepare them for use.



## Hardware Accessory List

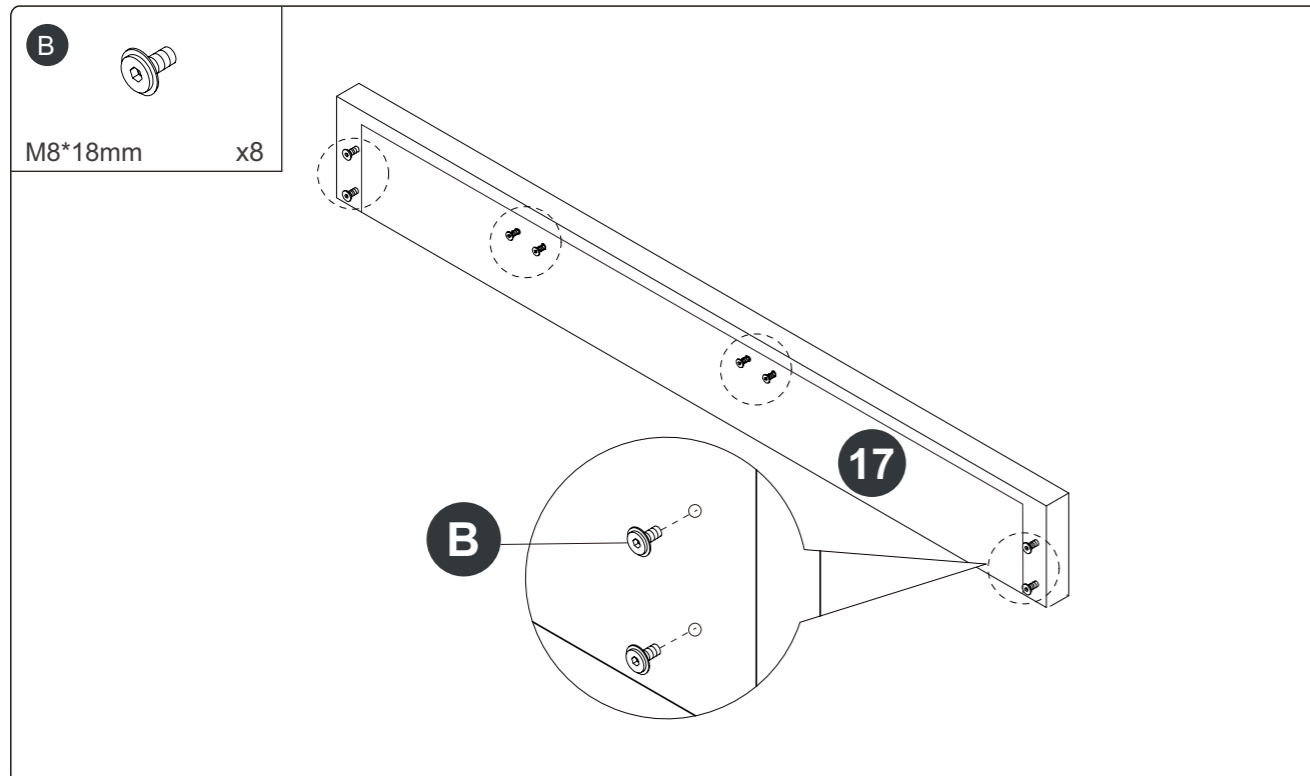
<b>B</b>		M8*18mm x28
<b>C</b>		M8*40mm x22

**Note:**

Ensure all hardware components are accounted for before beginning assembly. Missing or damaged hardware should be reported to customer service for replacement.

## Step 5

## Frame Parts Section

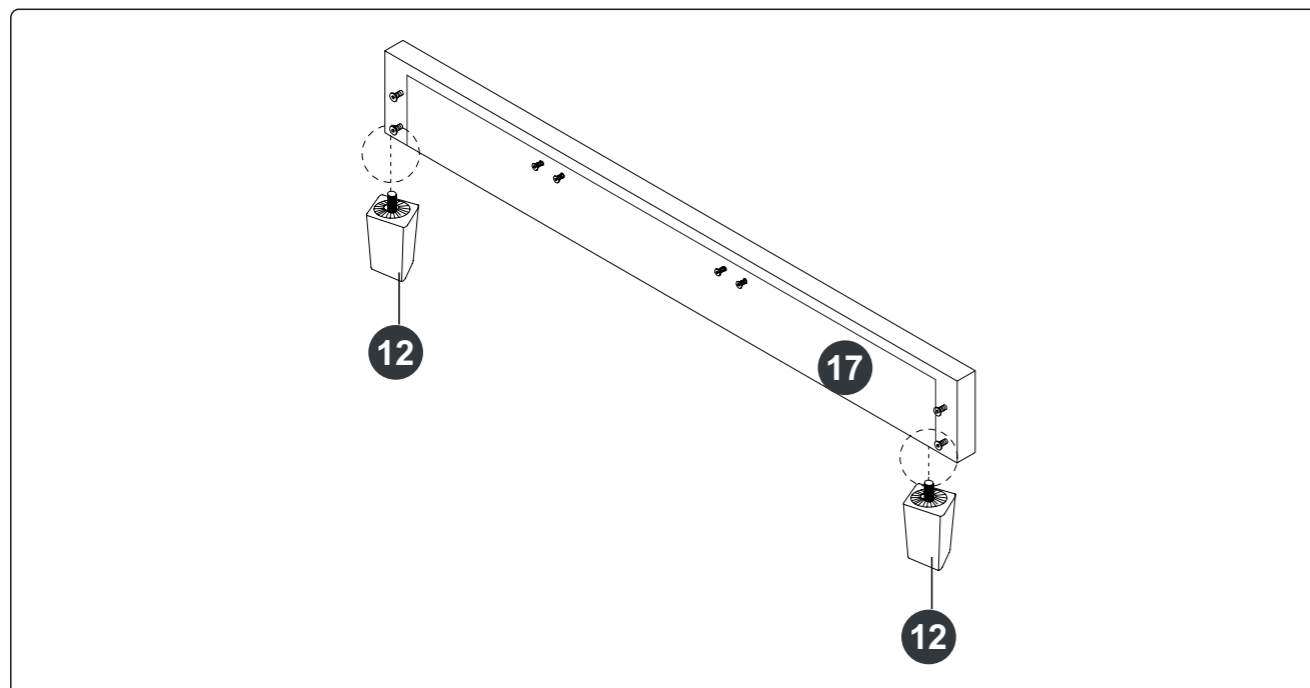


Preassemble screw B in corresponding holes of footboard 17, do not tighten yet.

**Note:**  
Screw B should be tightened only halfway (50%) to allow for later assembly.

## Step 6

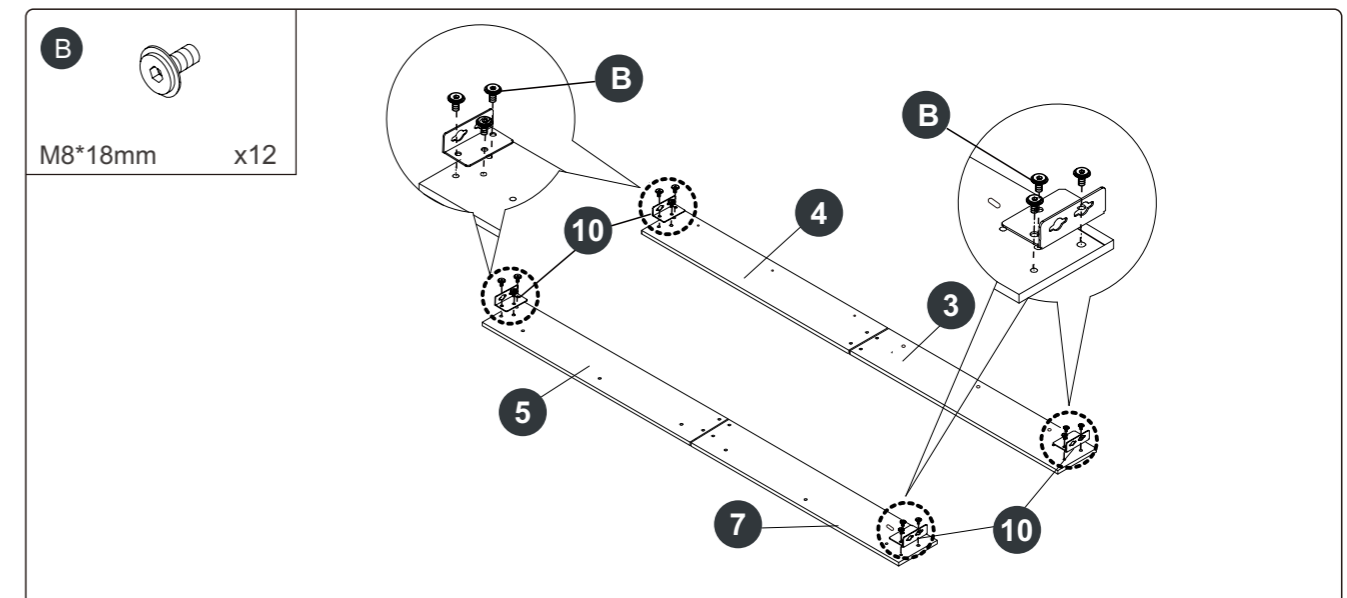
## Frame Parts Section



Install wooden legs 12 onto holes at the bottom of footboard 17 and tighten.

## Step 7

## Frame Parts Section

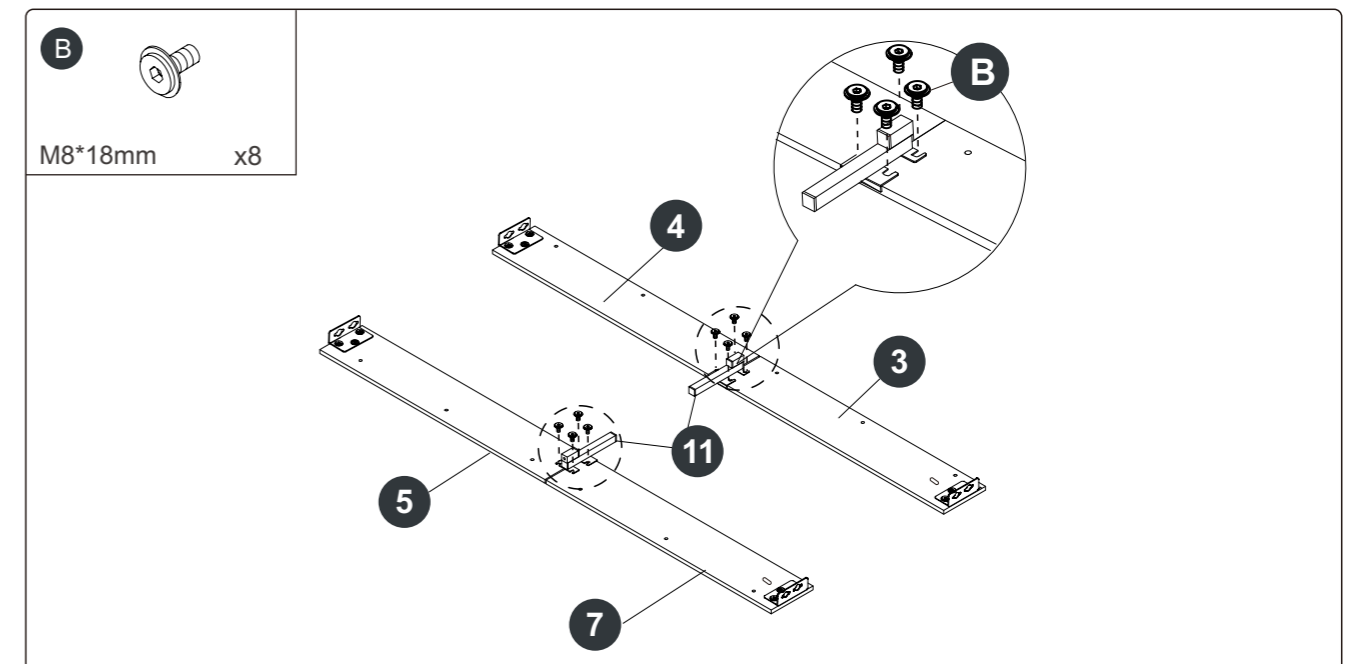


Arrange the side bed panels (3/4, 5/7) as shown. Attach iron plates 10 on both sides of bed sides 3/4/5/7, connect using screw B.

**Note:**  
Place side panels carefully, screw in all screws B loosely first, then tighten all completely.

## Step 8

## Frame Parts Section

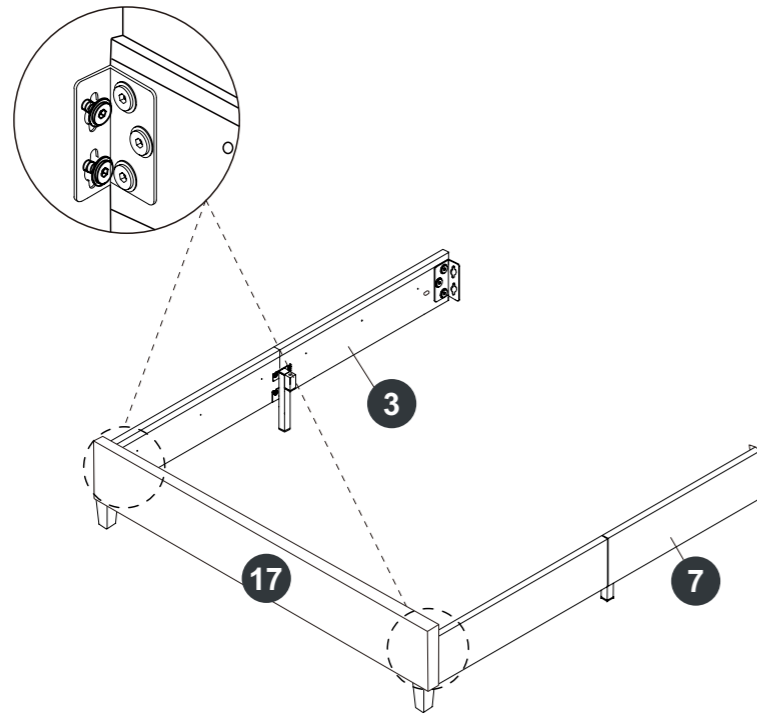


Install iron legs 11 on both sides of bed sides 3/4 and 5/7, connect using screw B, and tighten.

**Note:**  
First tighten screw B to 70%, then fully tighten.

## Step 9

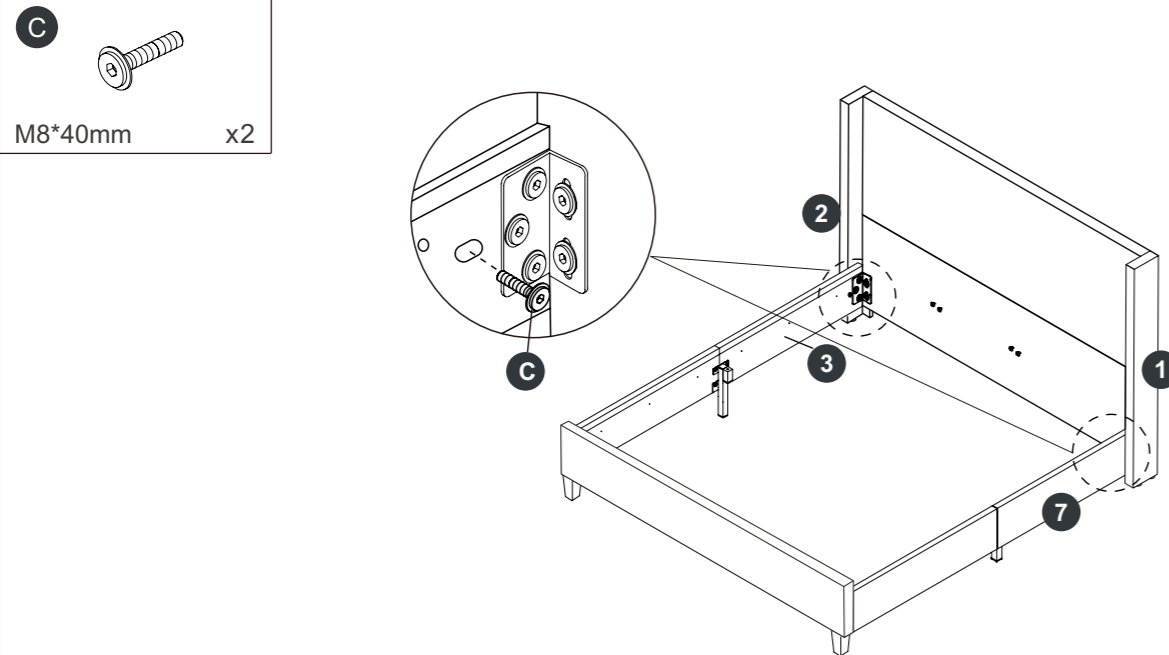
## Frame Parts Section



Connect the hooks on side panels 4 and 5 with the loose screws on both sides of footboard 17, then tighten all screws.

## Step 10

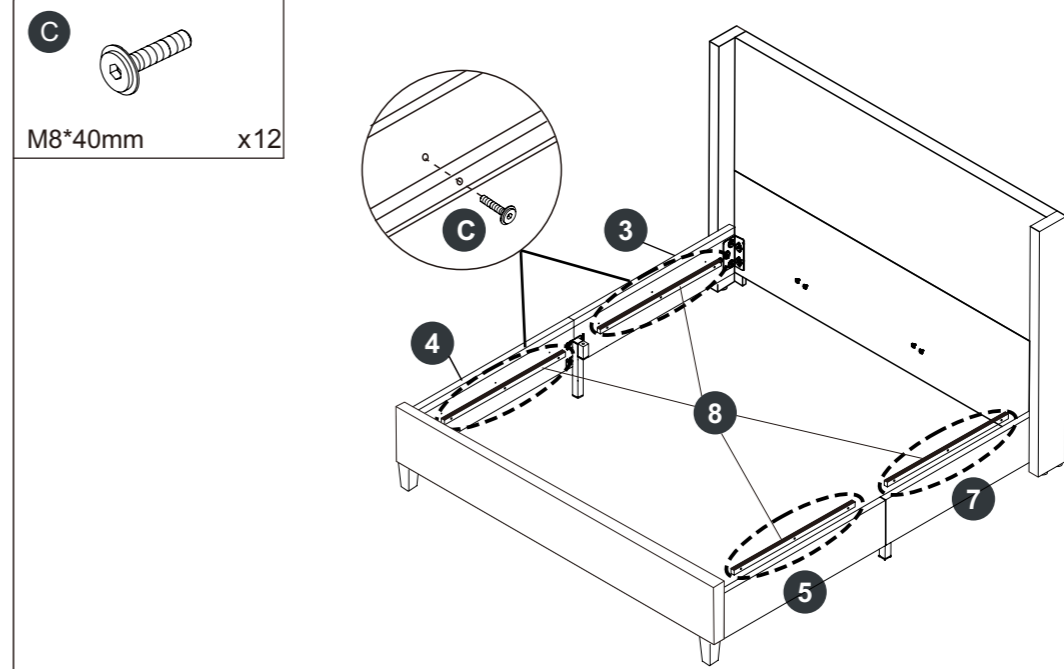
## Frame Parts Section



Connect the hooks on side panel (3/7) with the loose screws on headboard bottom panel 21, then connect side panel (3/7) and headboard ears 1/2 with screw C, tighten all screws.

## Step 11

## Frame Parts Section



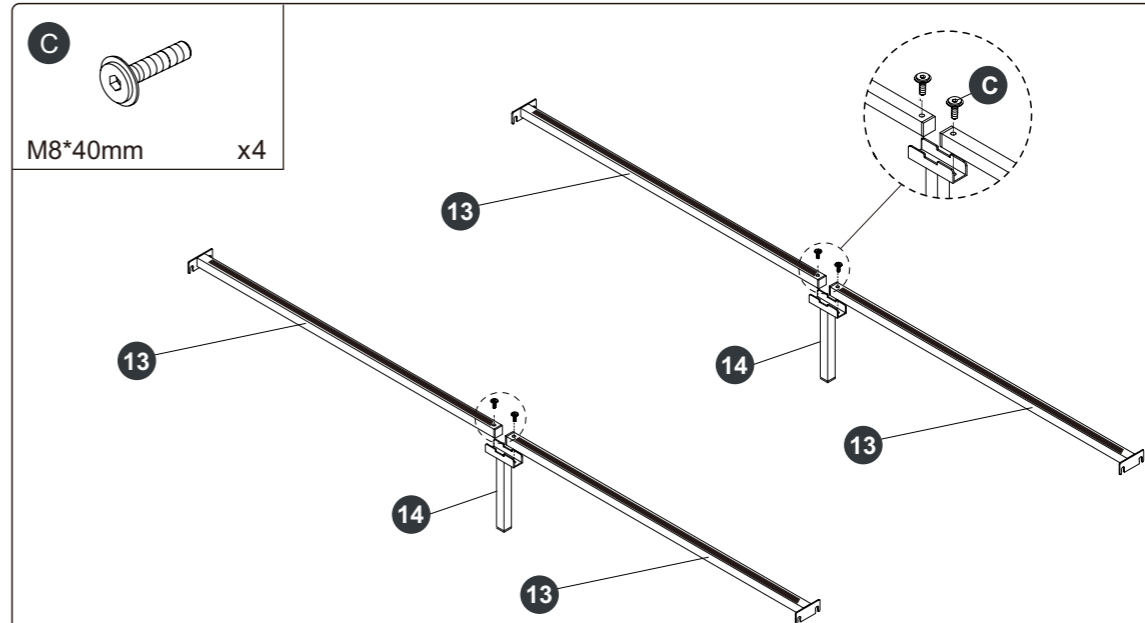
Install wooden stopper 8 on side panels 3/4/5/7 at corresponding holes and secure with screw C.

**Note:**

Nylon Fastener side up, tighten screw C to 70% first, then fully tighten.

## Step 12

## Frame Parts Section



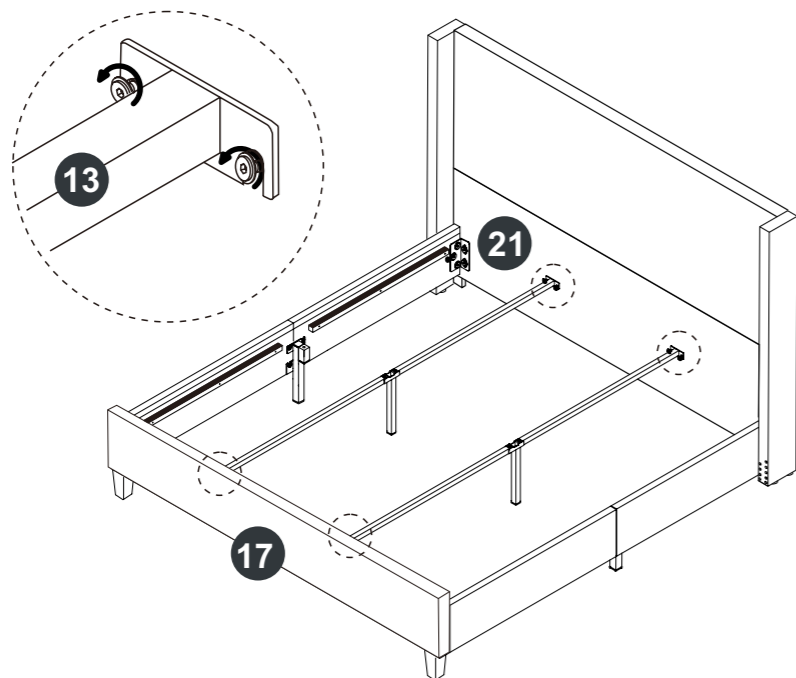
Connect middle leg 14 with two iron tubes 13, secure with screw C.

**Note:**

Black soundproof cotton faces upward, hooks on 13 face downward.

## Step 13

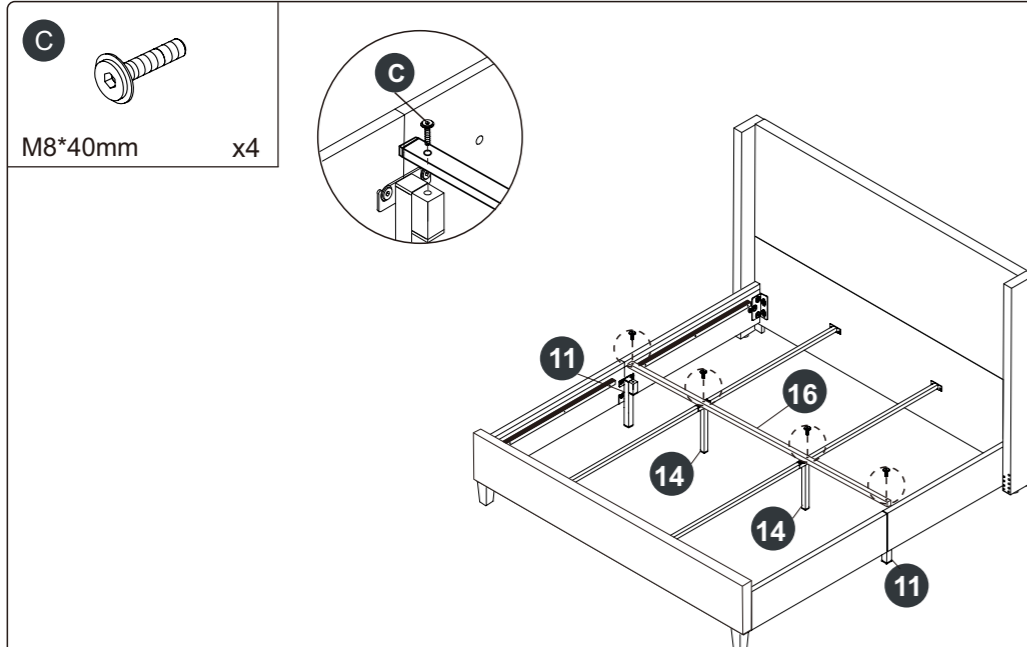
## Frame Parts Section



Hang iron tube 13 on reserved screws on footboard 17 and headboard bottom panel 21, tighten screws.

## Step 14

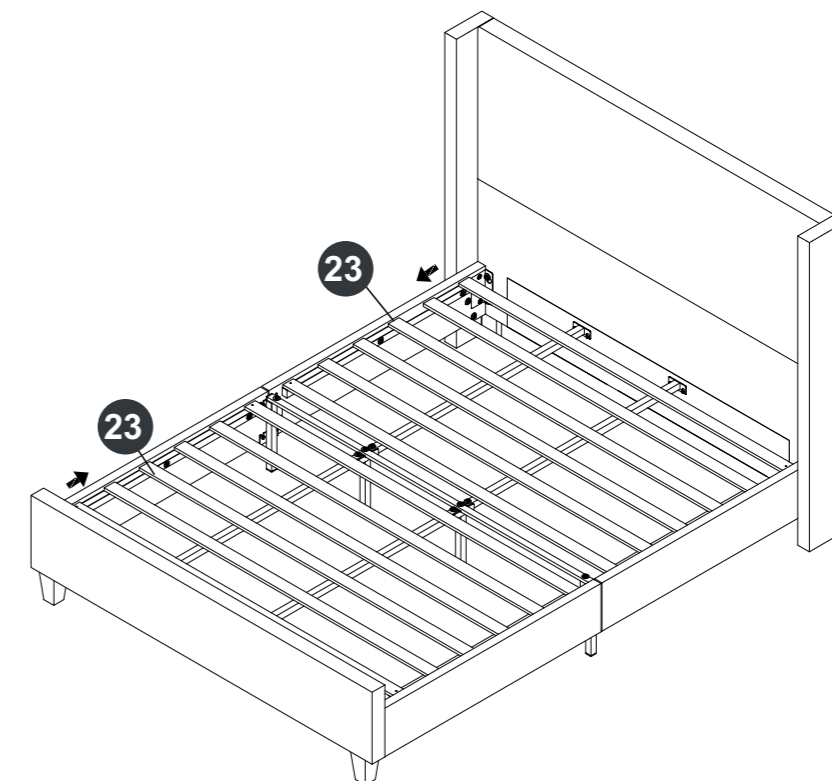
## Frame Parts Section



Install iron tube 16 on side middle legs 11 and 14 at corresponding holes and secure with screw C.

## Step 15

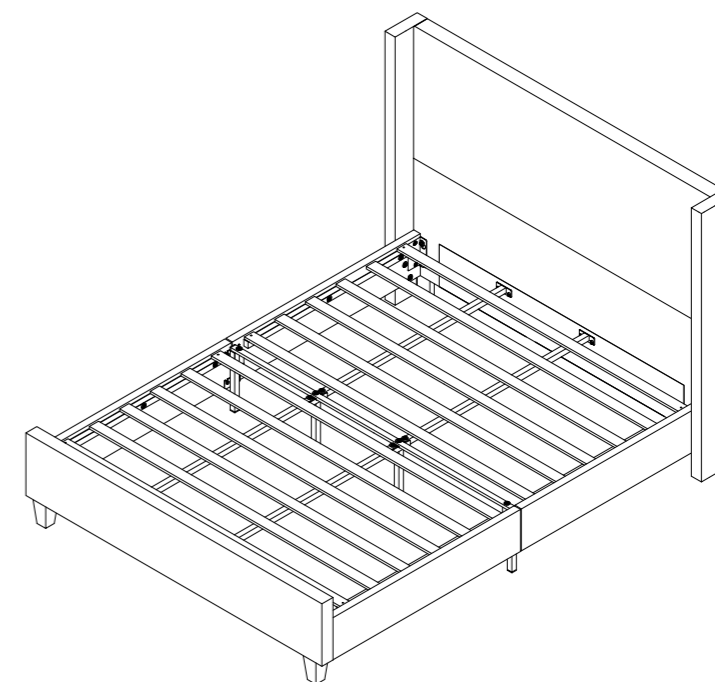
## Frame Parts Section



Lay the slats 23.

## Step 16

## Frame Parts Section



Assembly complete.