

BED WITH MATCHING FOOTBOARD

ASSEMBLY INSTRUCTIONS

Before assembling your bed, please read through these instructions carefully and familiarize yourself with the different parts.



PARTS LIST

- 1 HEADBOARD PANEL 1 PC
- 2 LEFT LEG 1 PC
- 3 RIGHT LEG 1 PC
- 4 WOOD DOWELS (Factory Installed) 4 PCS
- 5 FOOTBOARD 1 PC

Instructions apply for bed sizes
TWIN > FULL

HARDWARE

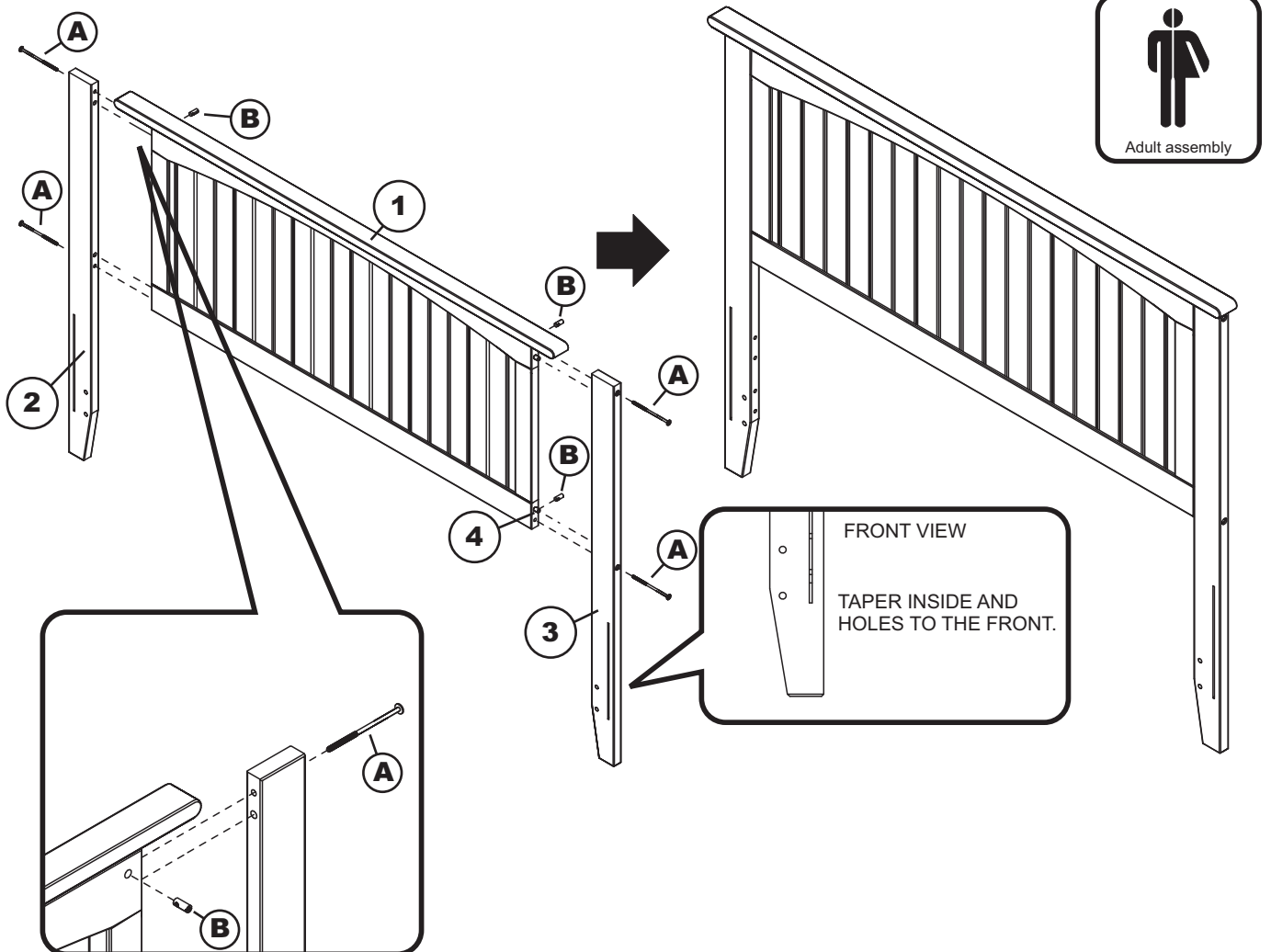
- A JCB M6 X 110mm (4 3/8") - 4 pcs
Spare - 1 pc
- B Barrel nut - 4 pcs
Spare - 1 pc

- C Allen wrench - 1pc
Spare - 1pc

NOTE: WE INCLUDE SPARE HARDWARE IN CASE DAMAGE OCCURS DURING ASSEMBLY.

Step 1

Attach the legs (2) and (3) to headboard panel (1), using JCB (A) and barrel nut (B). Tighten with the Allen wrench (C).



Congratulations!

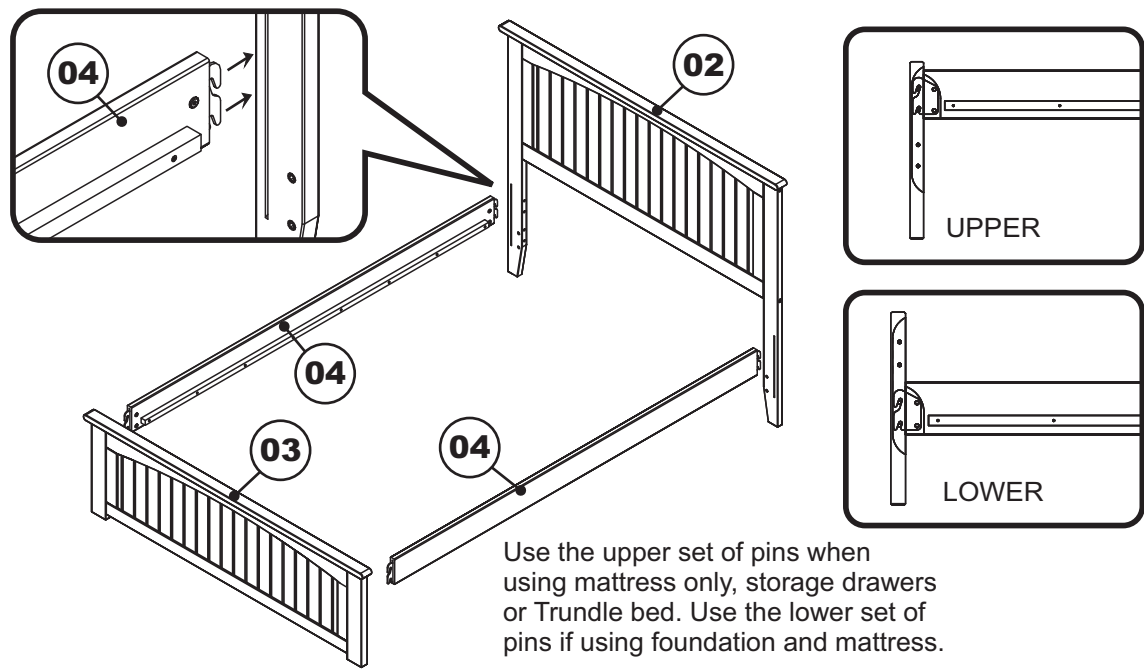
Your headboard is now assembled.

To ensure lasting safety, we recommend that you periodically check that all screws are tight and all parts are secure.

- 01 **HARDWARE**
- 02 **HEADBOARD** — **BOX 1**
- 03 **FOOTBOARD**
- 04 **SIDE RAILS** — **BOX 2**



Step 1 Attach the side rails (04) to the headboard (02) and footboard (03) using the bed hook as shown below.

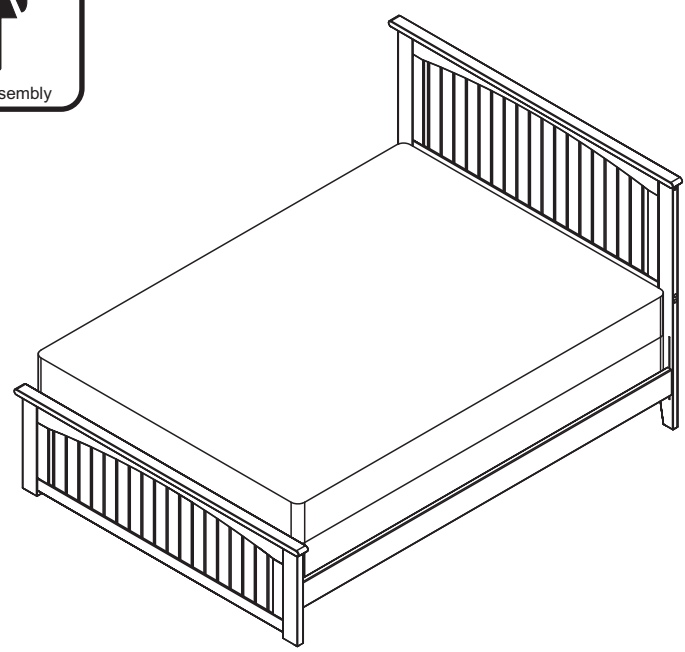
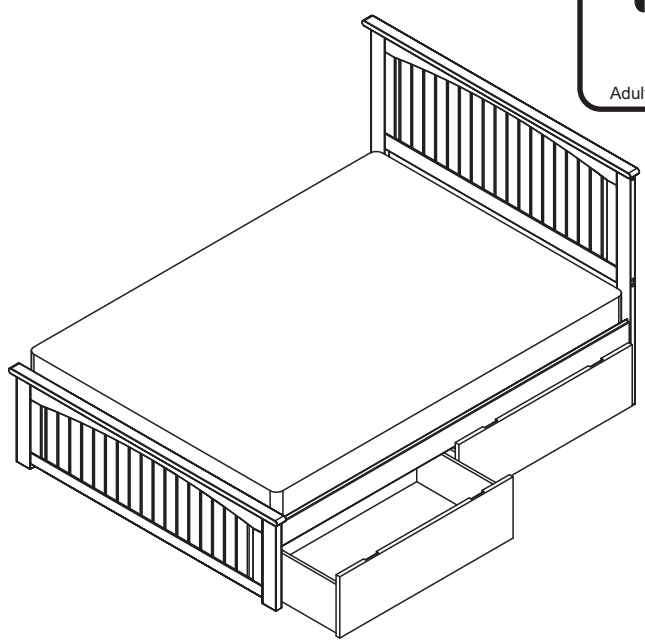


Step 2 Lastly, lay slat kit or foundation support board onto the bed. For assembly, follow the assembly instructions included with support system.

PLATFORM BED - TALL HEIGHT



TRADITIONAL BED - LOW HEIGHT



BED FRAME

TWIN XL

ASSEMBLY INSTRUCTIONS

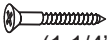
Before assembling your bed frame, please read through these instructions carefully and familiarize yourself with the different parts.



PARTS LIST

- ① SIDE RAILS 2 PCS
- ② SLAT KIT 2 SET

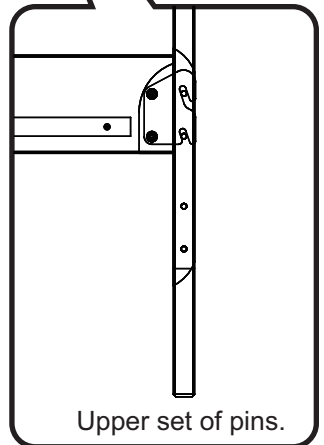
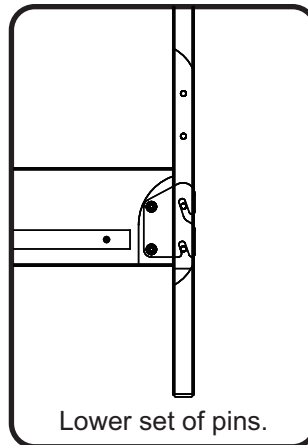
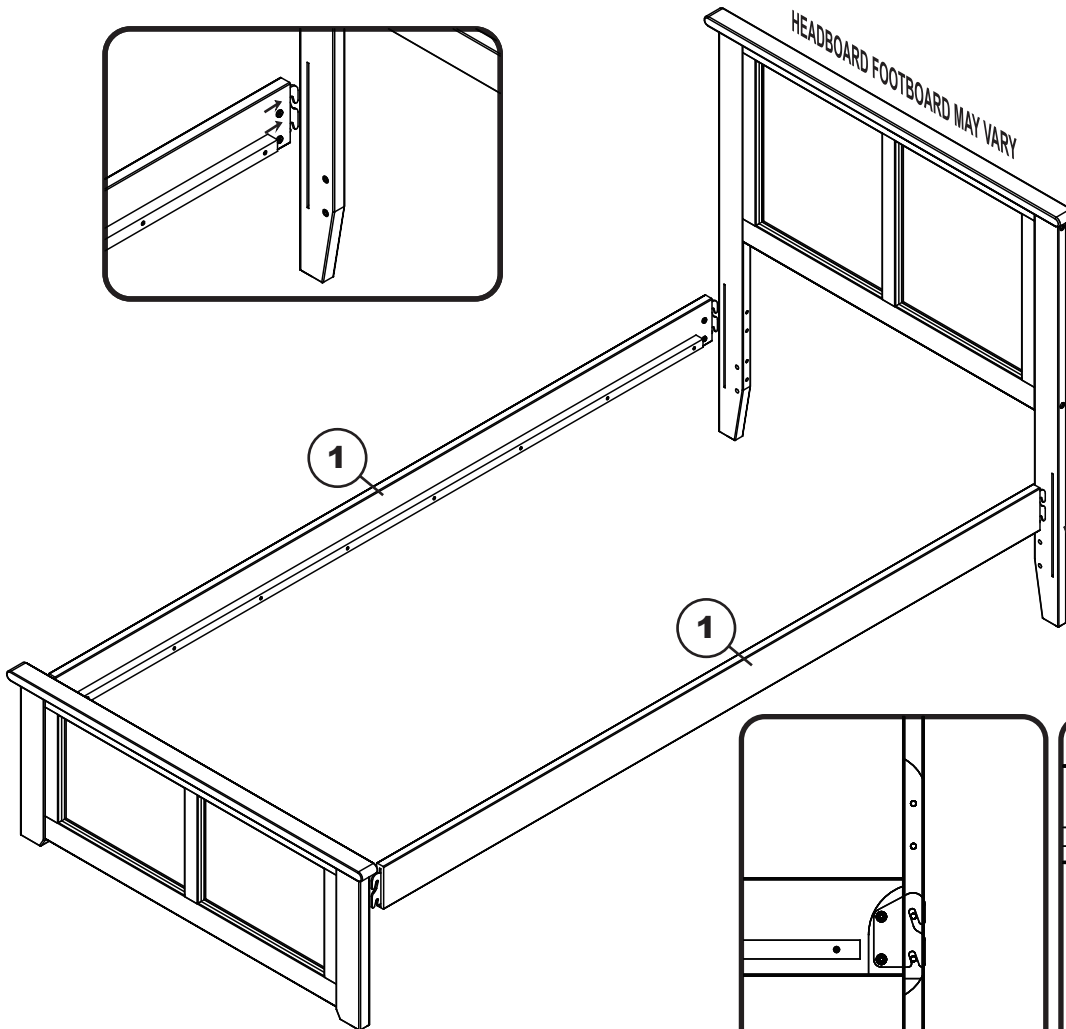
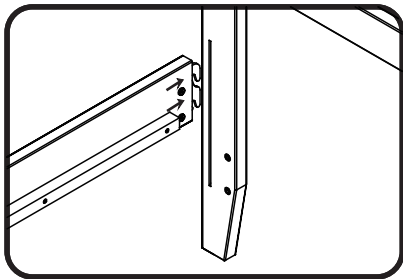
HARDWARE

- Ⓐ  Wood screw(1 1/4") - 12 pcs
Spare - 1 pc

NOTE: WE INCLUDE SPARE HARDWARE IN CASE DAMAGE OCCURS DURING ASSEMBLY.

Step 1

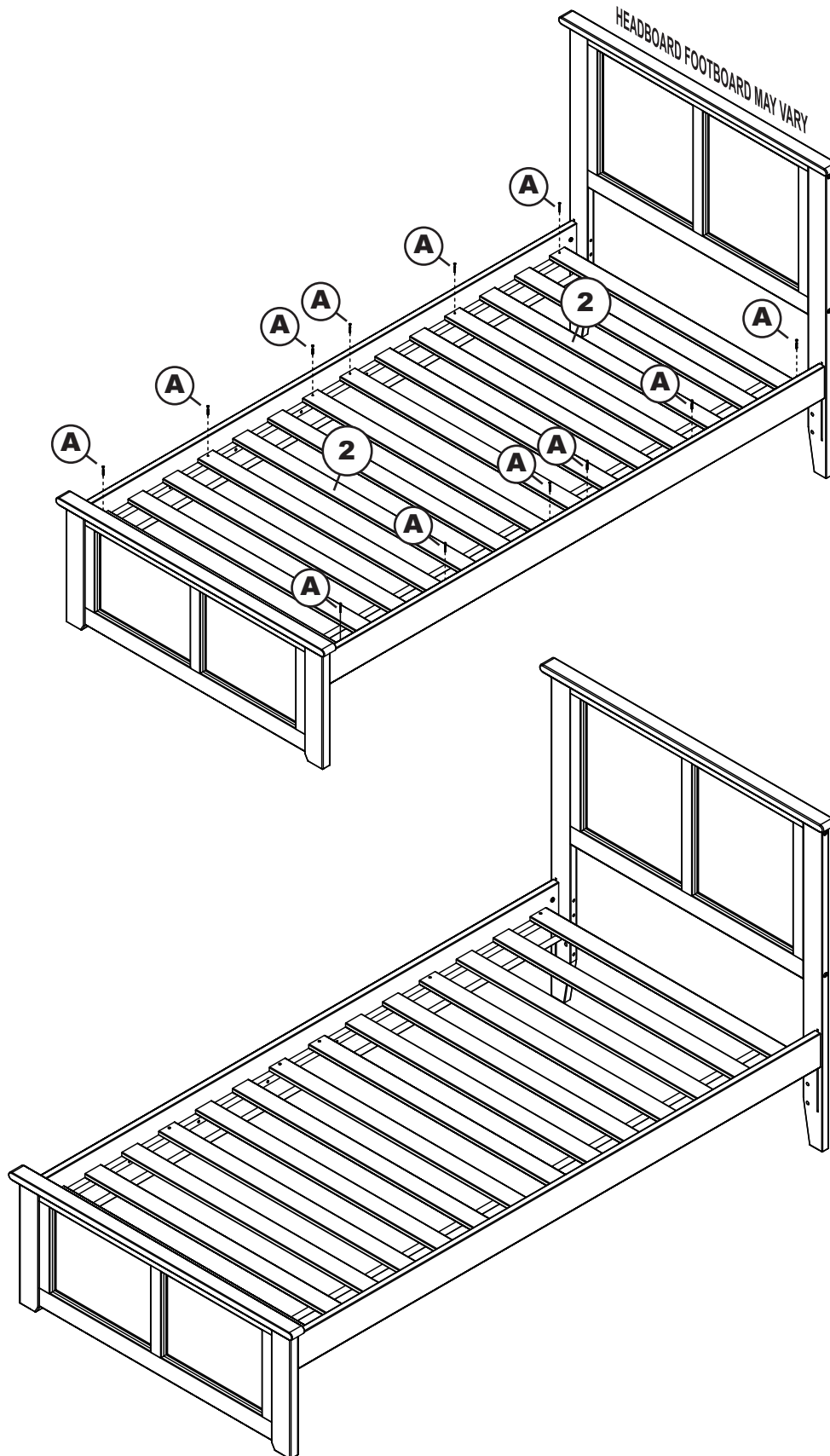
Attach side rails (1) to the headboard and footboard. For assembly, follow the assembly instructions included with your headboard and footboard.



TWIN XL

Step 2

Attach slat kit (2) to the bed as shown below using wood screws 1 1/4" (A). Tighten with Phillips head screw driver. (customer supplied)



Congratulations!

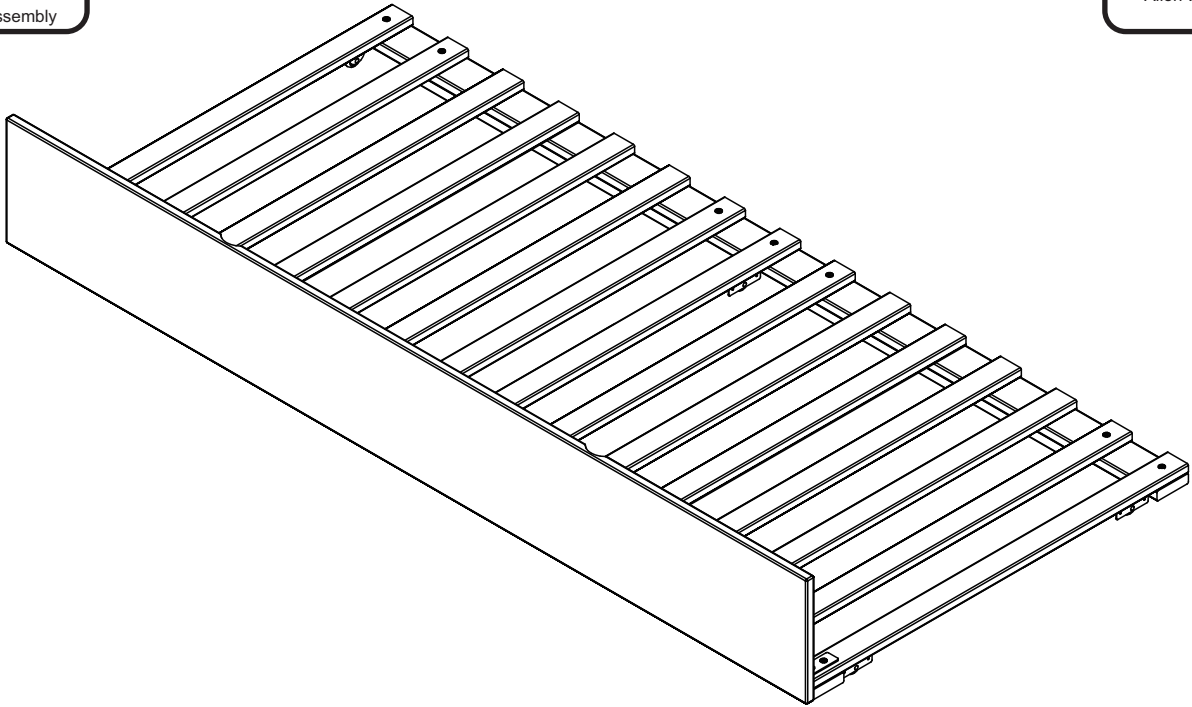
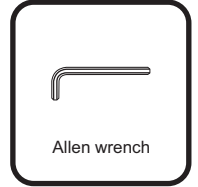
Your bed is now ready for use.

We recommend that you periodically recheck that all screws are tight to ensure lasting safety.

TRUNDLE BED

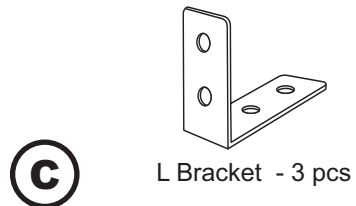
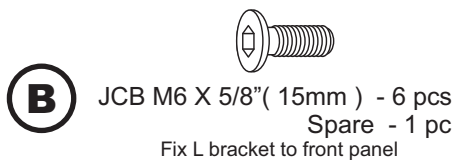
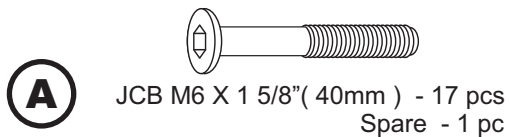
ASSEMBLY INSTRUCTIONS TWIN XL

Before assembling your Trundle bed, please read through these instructions carefully. Familiarize yourself with the different parts.



HARDWARE

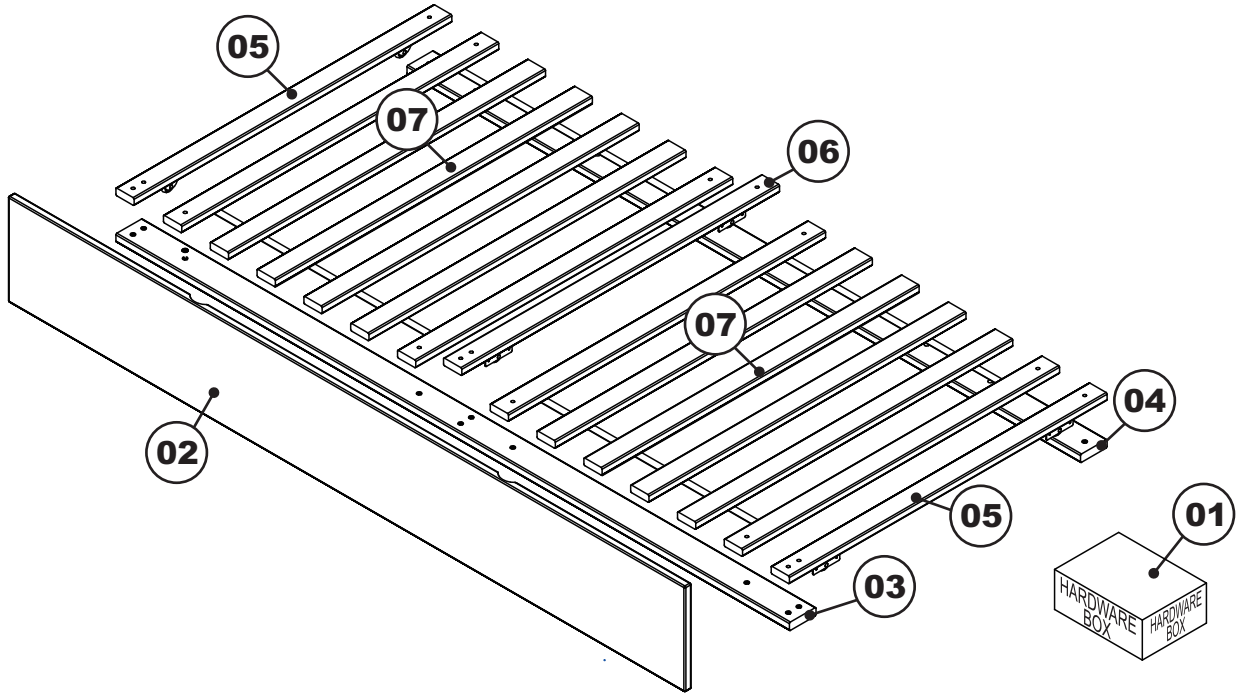
NOTE: WE INCLUDE SPARE HARDWARE IN CASE DAMAGE OCCURS DURING ASSEMBLY.



TWIN XL

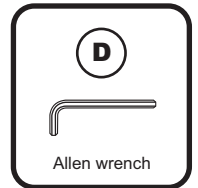
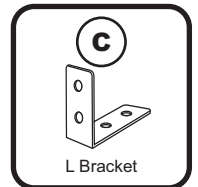
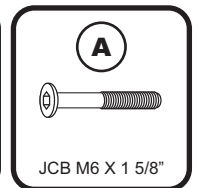
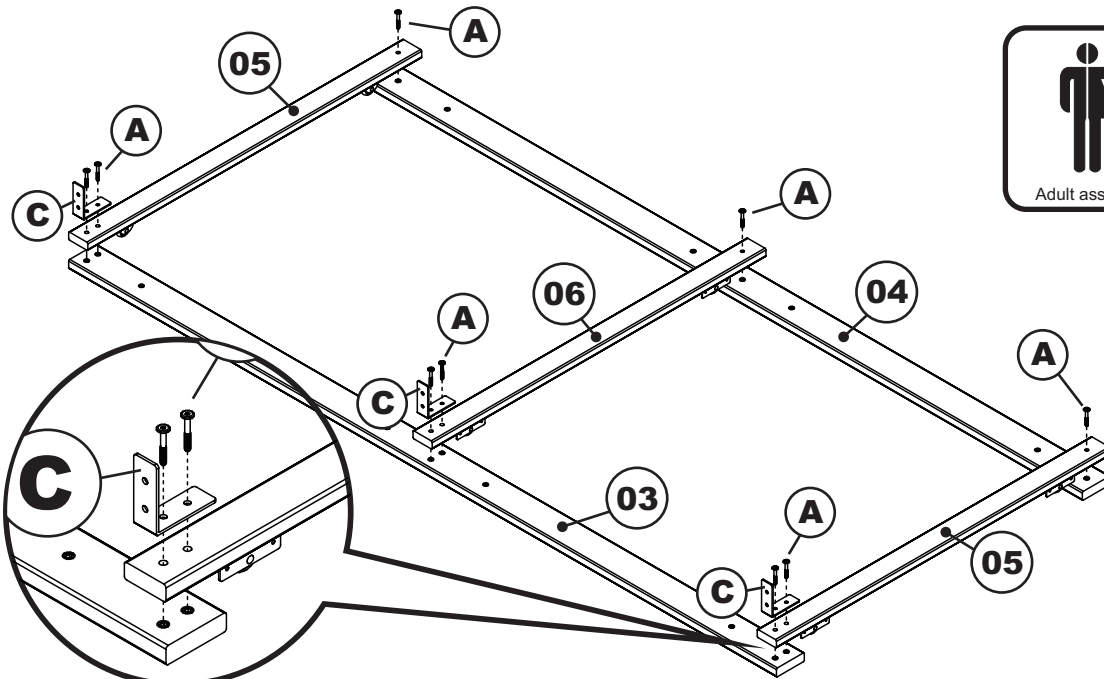
PARTS LIST

01	HARDWARE	1 BOX	05	SIDE CROSS RAIL	2 PCS
02	FRONT PANEL	1 PC	06	CENTER CROSS RAIL	1 PC
03	FRONT RAIL	1 PC	07	SLAT KIT	2 SET
04	BACK RAIL	1 PC			



Step 1

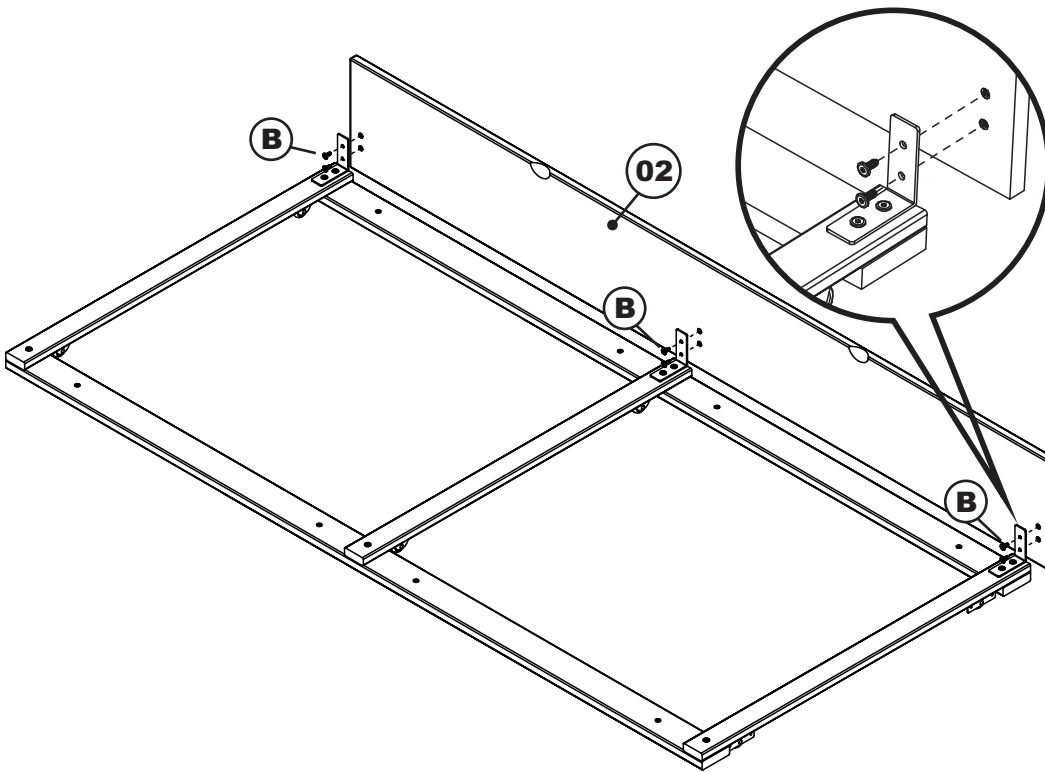
Attach the side cross rails (05) and center cross rail (06) to the front and back rail (03)(04), using L bracket (C), JCB M6 X 1 5/8" (A). Tighten with the Allen wrench (D).



TWIN XL

Step 2

Attach the front panel (02) to the front rail as shown, using JCB M6 X 5/8" (B). Tighten with the Allen wrench (D).



Adult assembly

B



JCB M6 X 5/8"

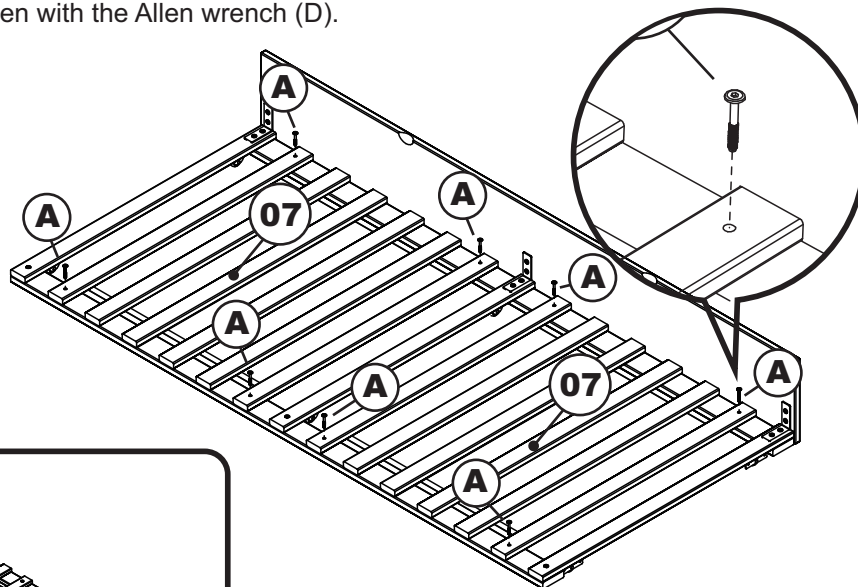
D



Allen wrench

Step 3

Lay the slat kit (07) onto the rail assembly as shown, using JCB M6 X 1 5/8" (A). Tighten with the Allen wrench (D).



Adult assembly

A

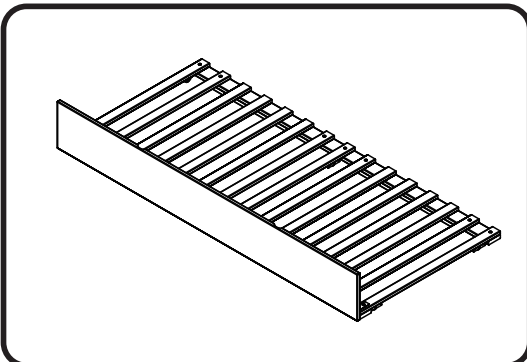


JCB M6 X 1 5/8"

D



Allen wrench



Congratulations!

Your Trundle bed is now ready for use.

We recommend that you periodically check that all screws are tight and all parts are secure to ensure lasting safety.