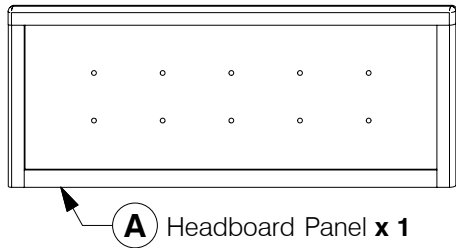


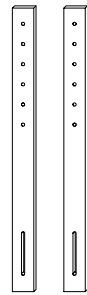
# Full / Queen Headboard

## Assembly Instructions

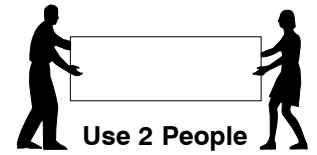
### 1 Parts List



**A** Headboard Panel x 1



**B**  
Support  
Bars x 2



### 2 Hardware List



**1** M6 x 35mm JCB  
x 4



**2** Spring Washer  
x 4



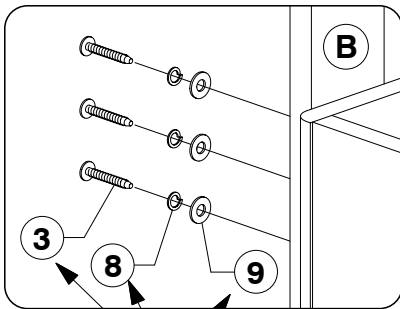
**3** Flat Washer  
x 4



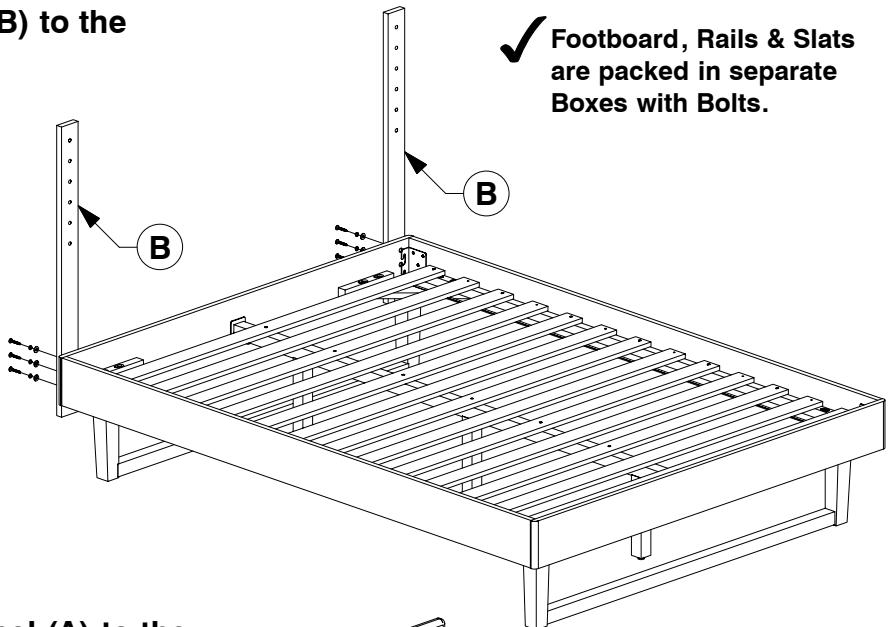
**4** Allen Key  
x 1

**Note:** Do not assemble  
using power tools.  
This can cause the bolts  
to be overtightened

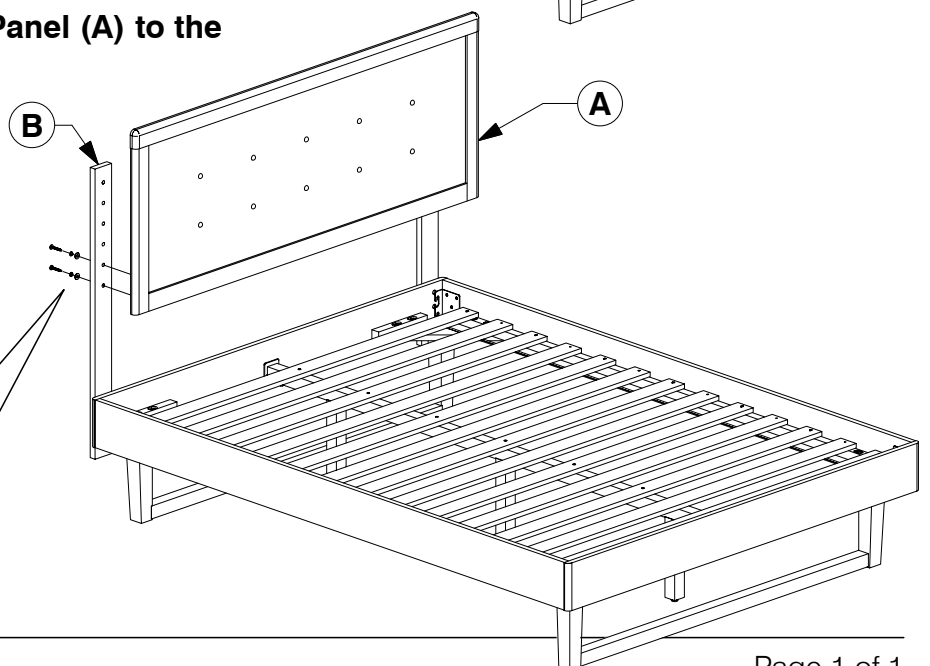
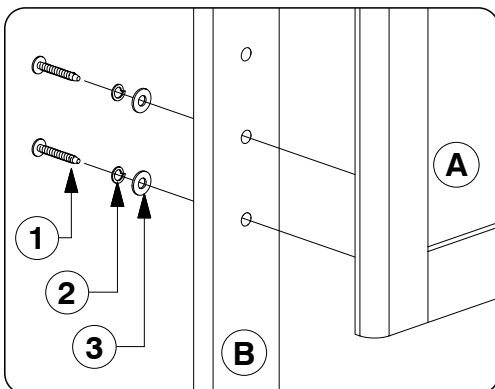
### 3 Assemble the Support Bars (B) to the Headboard Panel.



*Note: Bolts & Washers from  
Footboard, Rails & Slats Box.*



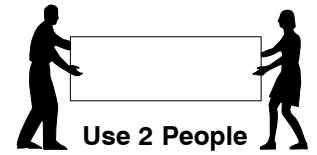
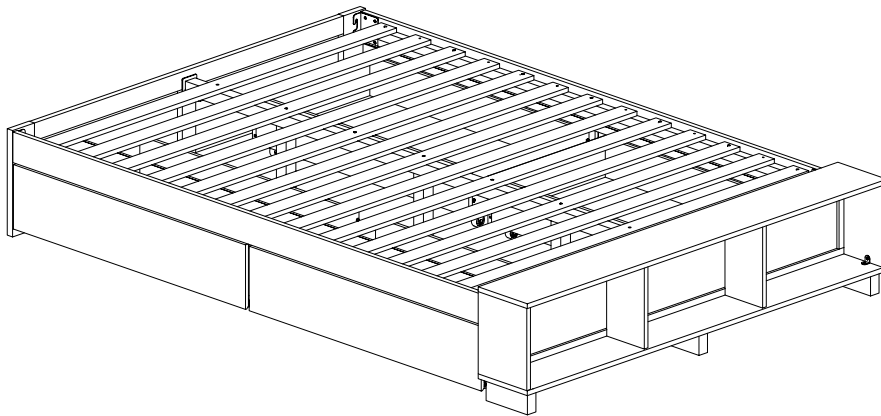
### 4 Assemble the Headboard Panel (A) to the Support Bars (B).



# Full Bed

Assembly Instructions

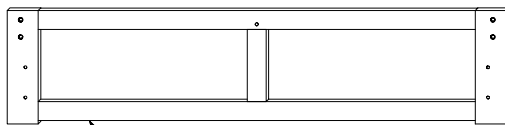
## 1 Assembled View



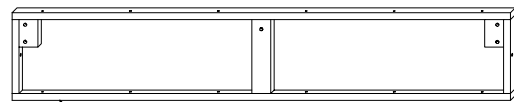
**Note:** Do not assemble using power tools. This can cause the bolts to be overtightened

## 2 Parts List

Parts in Box A:



**A** Headboard Panel x 1



**C** Footboard Frame x 1



**B** Footboard Top Panel x 1



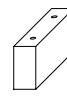
**D** Footboard Bottom Panel x 1



**E** Footboard Side Panel x 2



**F** Footboard Divider x 2



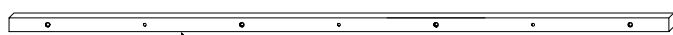
**G** Footboard Foot x 3



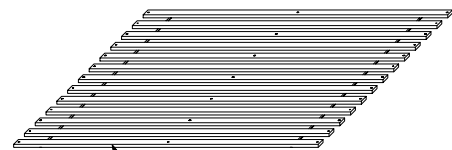
**H** Support Leg x 3



**J** Side Rail x 2



**K** Long Support x 1



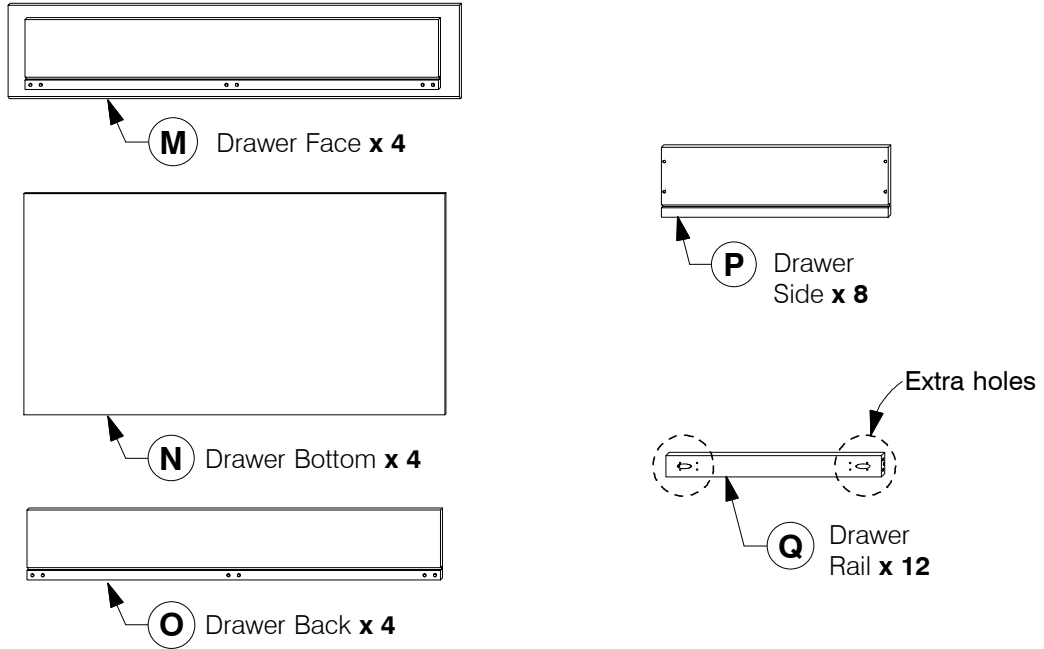
**L** Set of Bed Slats x 1

# Full Bed

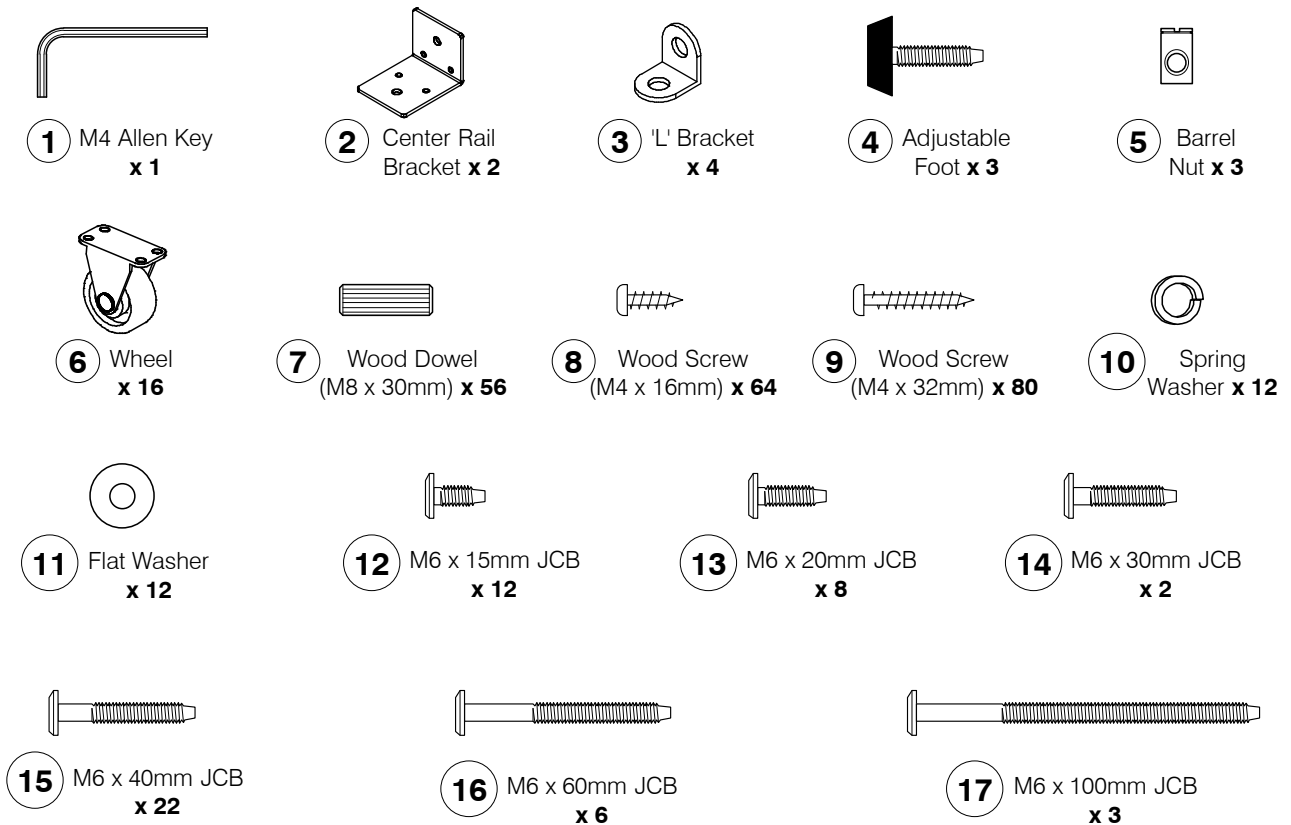
## Assembly Instructions

### 2 Parts List

Parts in Box B:



### 3 Hardware List

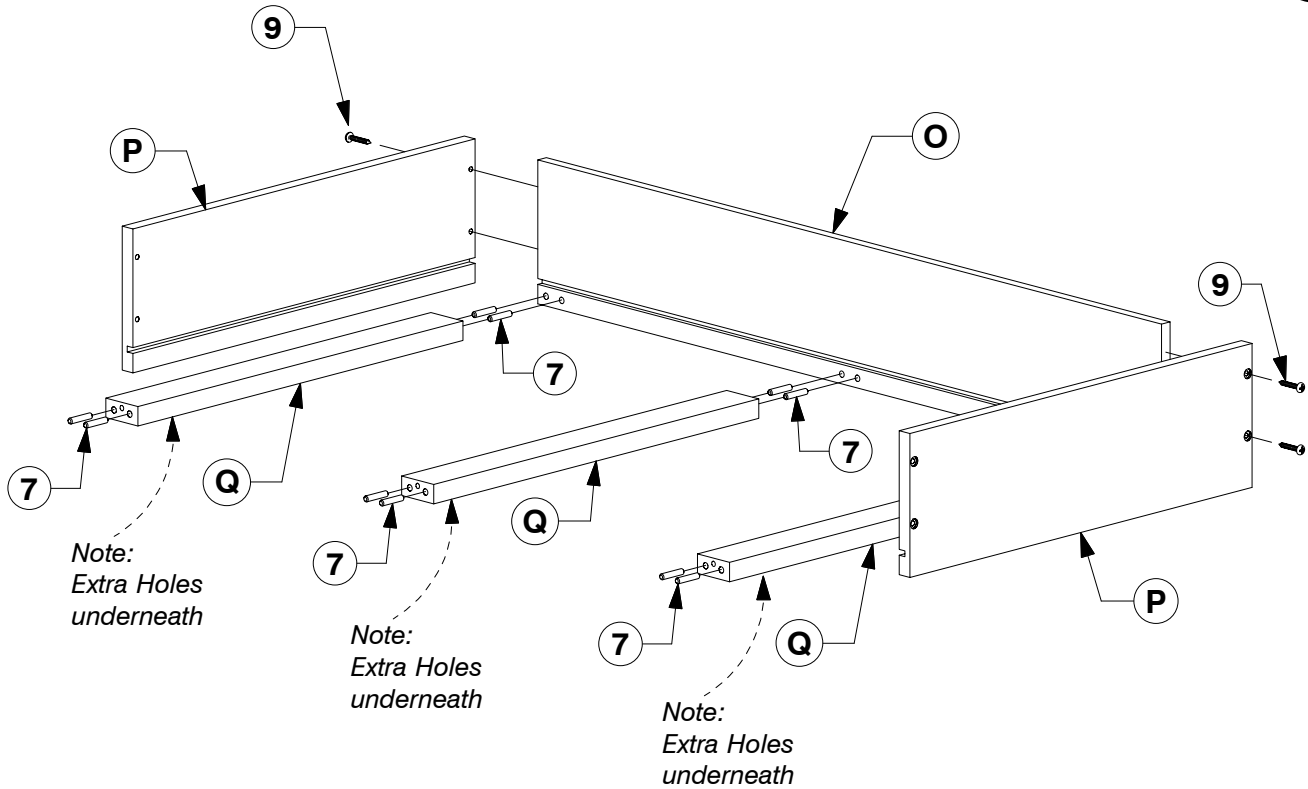


# Full Bed

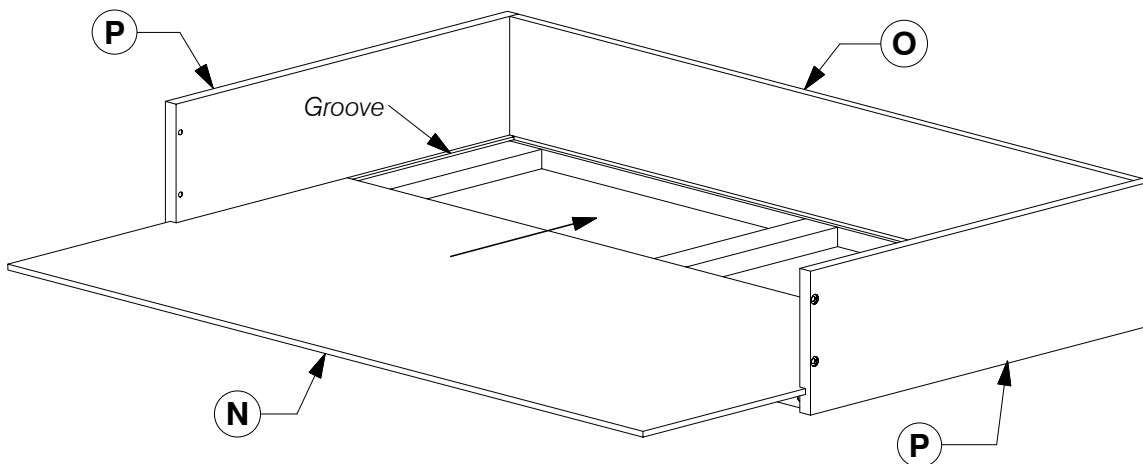
## Assembly Instructions

- 4** Assemble the Drawer Side (P) and Drawer Rail (Q) to the Drawer Back (O).

x4



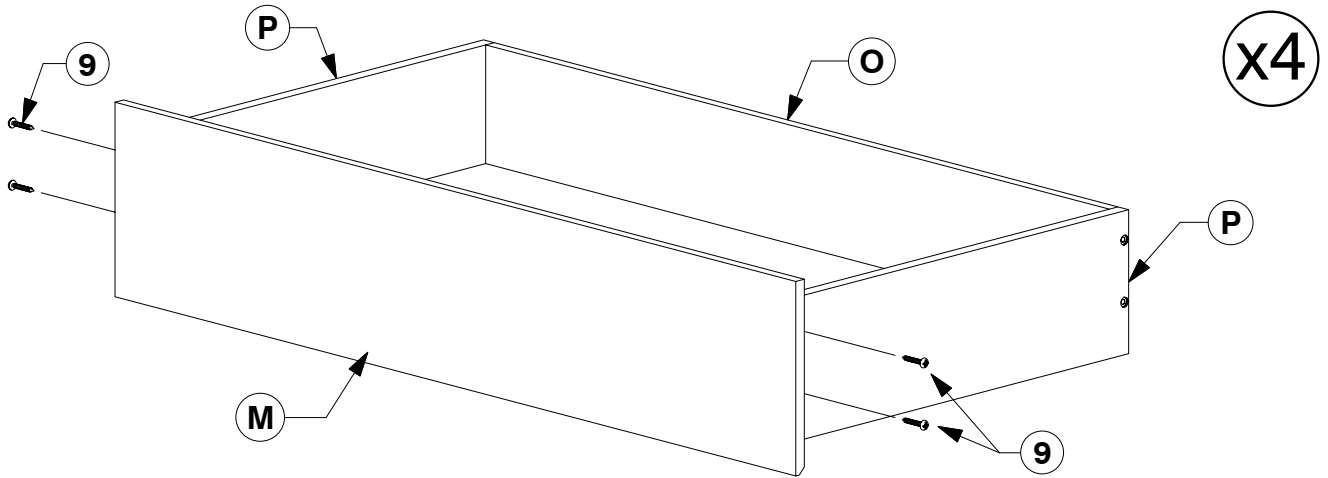
- 5** Slide the Drawer Bottom (N) into the groove on the Drawer Sides (P).



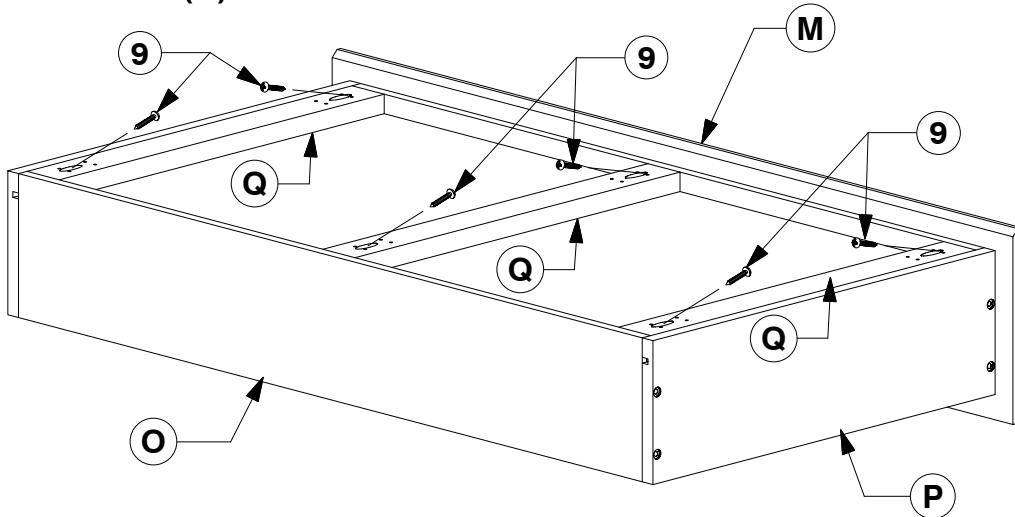
# Full Bed

Assembly Instructions

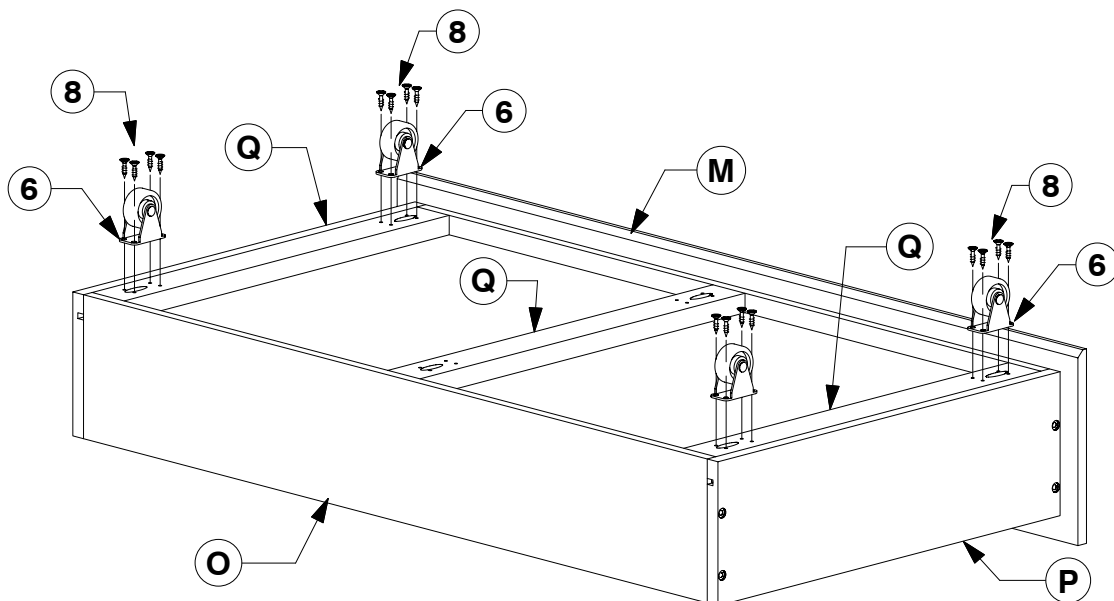
**6** Assemble the Drawer Face (M) to the Drawer Sides (P).



**7** Turn the Drawer over to fit angled 32mm Wood Screws (9) to the Drawer Rails (Q).



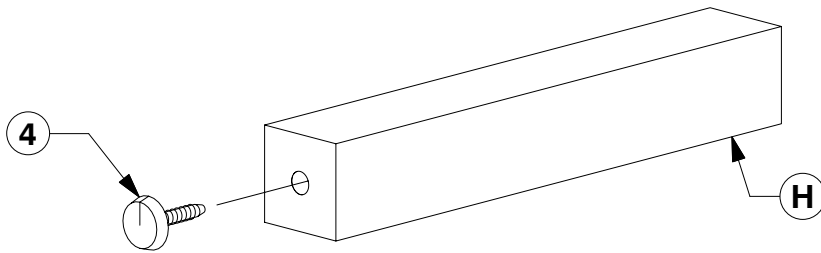
**8** Fit the Wheels (6) to the Drawer Side Rail (Q).



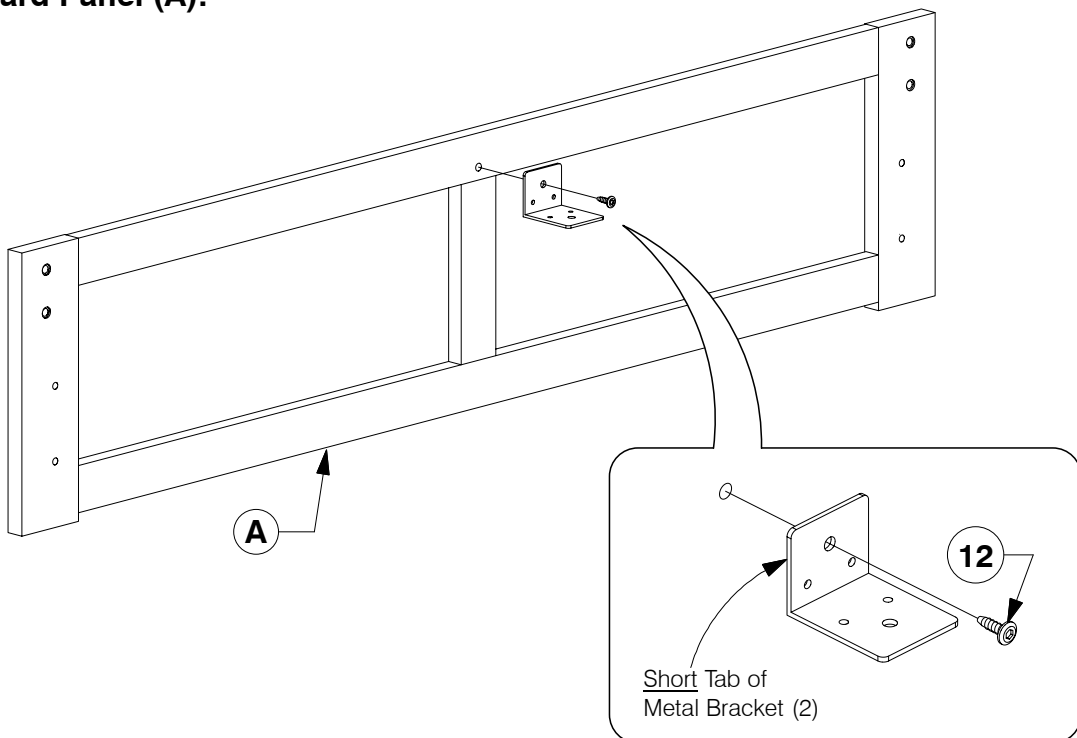
# Full Bed

## Assembly Instructions

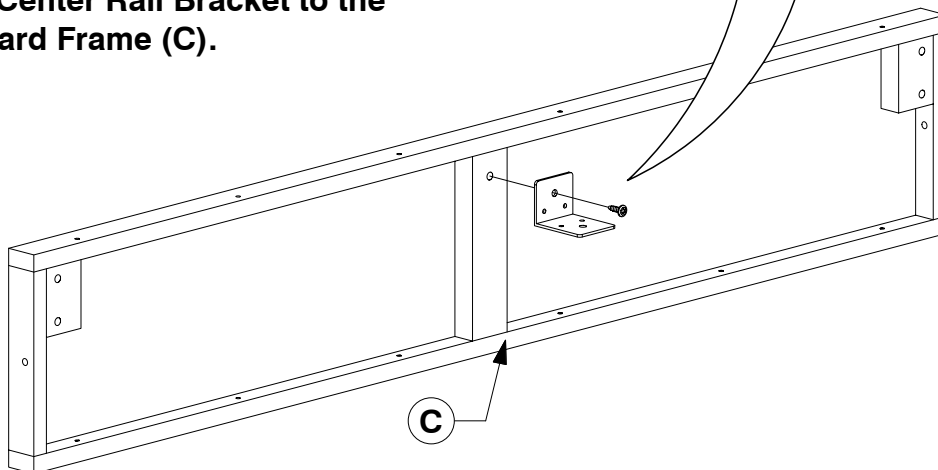
- 9** Fix the Adjustable foot to the bottom of the Support Leg (H).



- 10** Fit the Center Rail Bracket to the Headboard Panel (A).



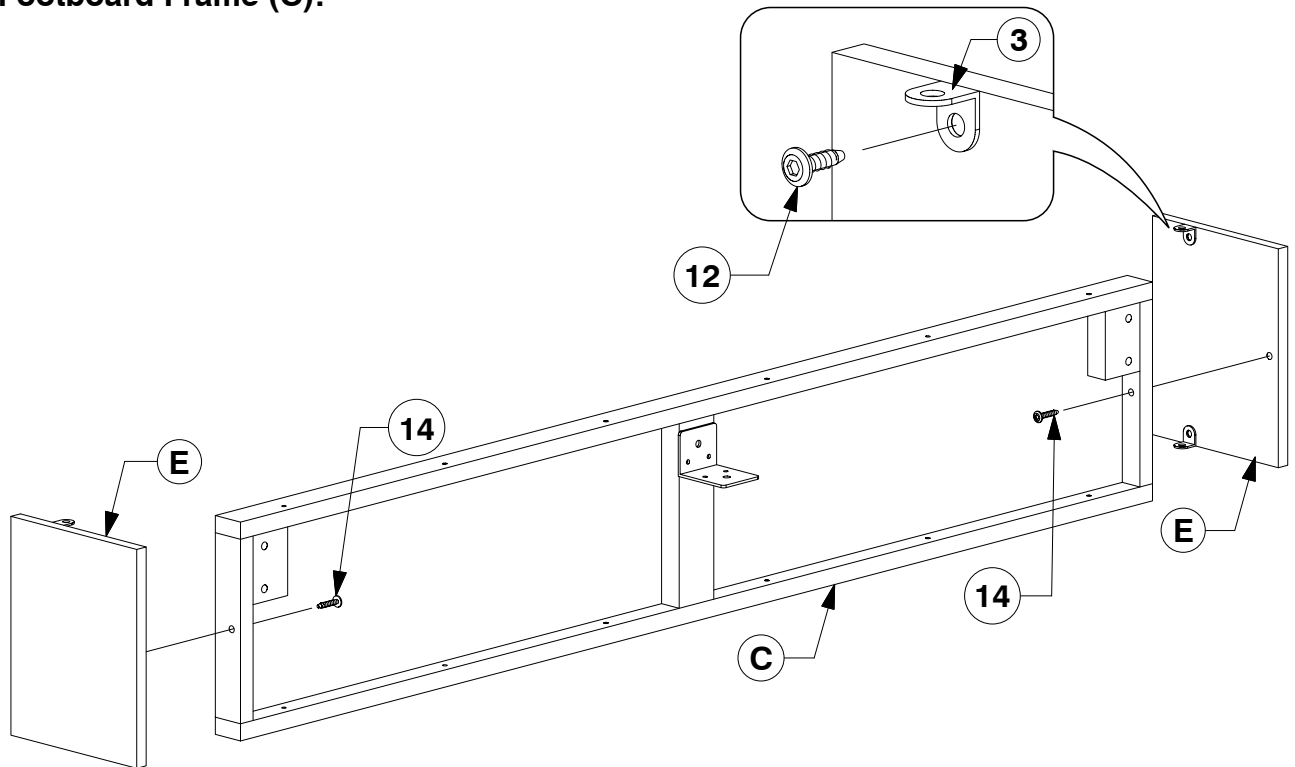
- 11** Fit the Center Rail Bracket to the Footboard Frame (C).



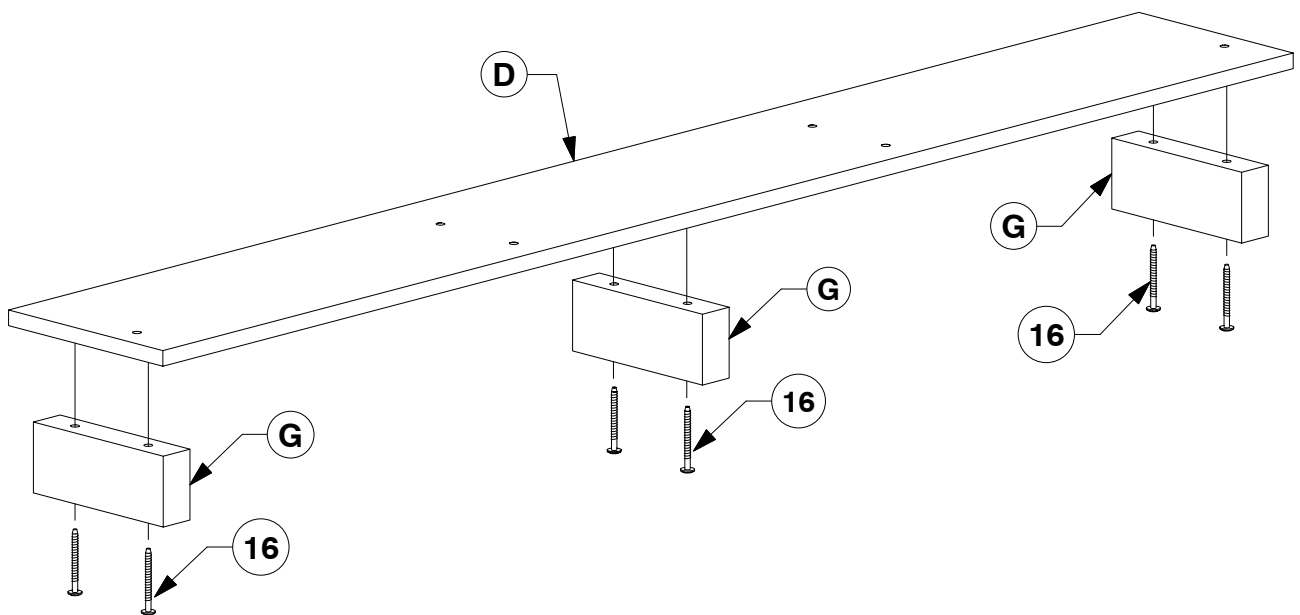
# Full Bed

## Assembly Instructions

- 12** Fit 'L' Bracket to the Footboard Side Panel (E).  
Assemble the Footboard Side Panel (E) to the  
Footboard Frame (C).



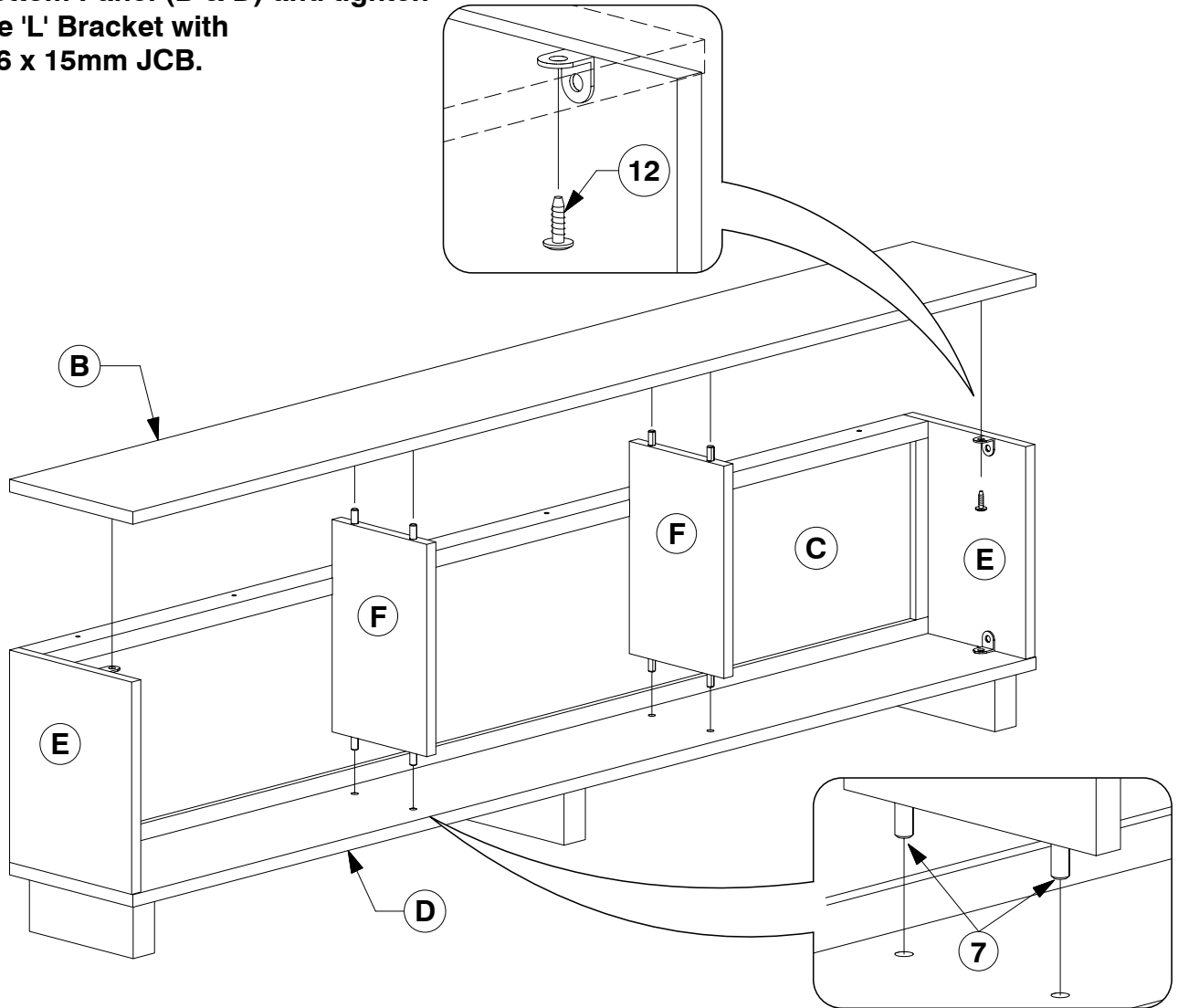
- 13** Fit the Footboard Foot (G) to the Footboard Bottom Panel (D).



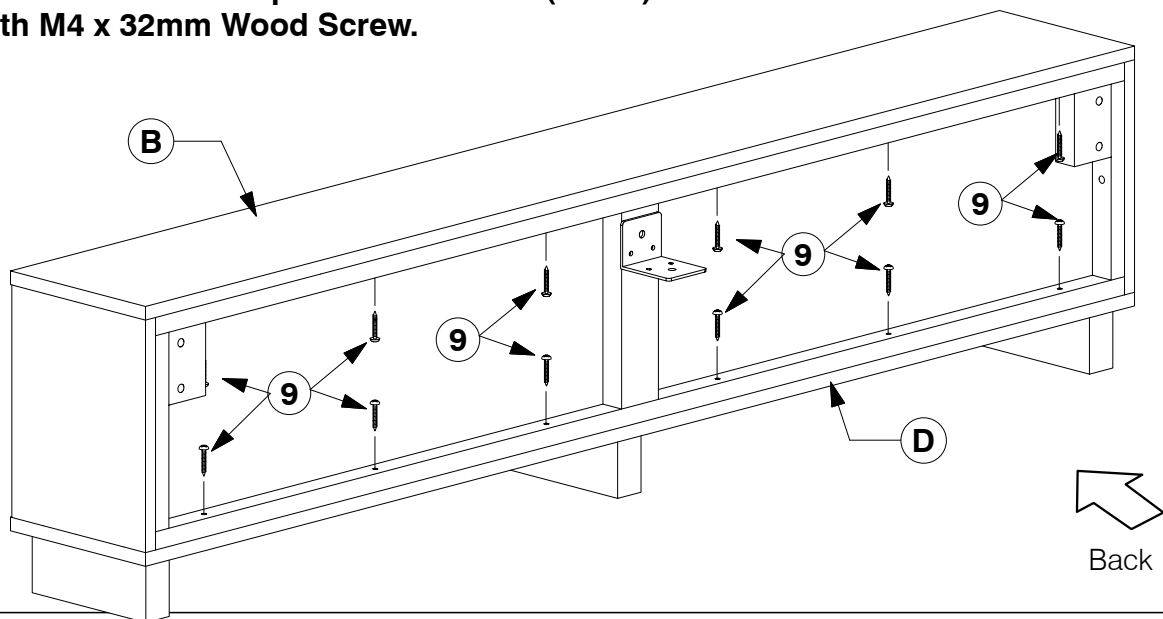
# Full Bed

## Assembly Instructions

- 14** Fit the Footboard Divider (F) to the Footboard Top & Bottom Panel (B & D) and tighten the 'L' Bracket with M6 x 15mm JCB.



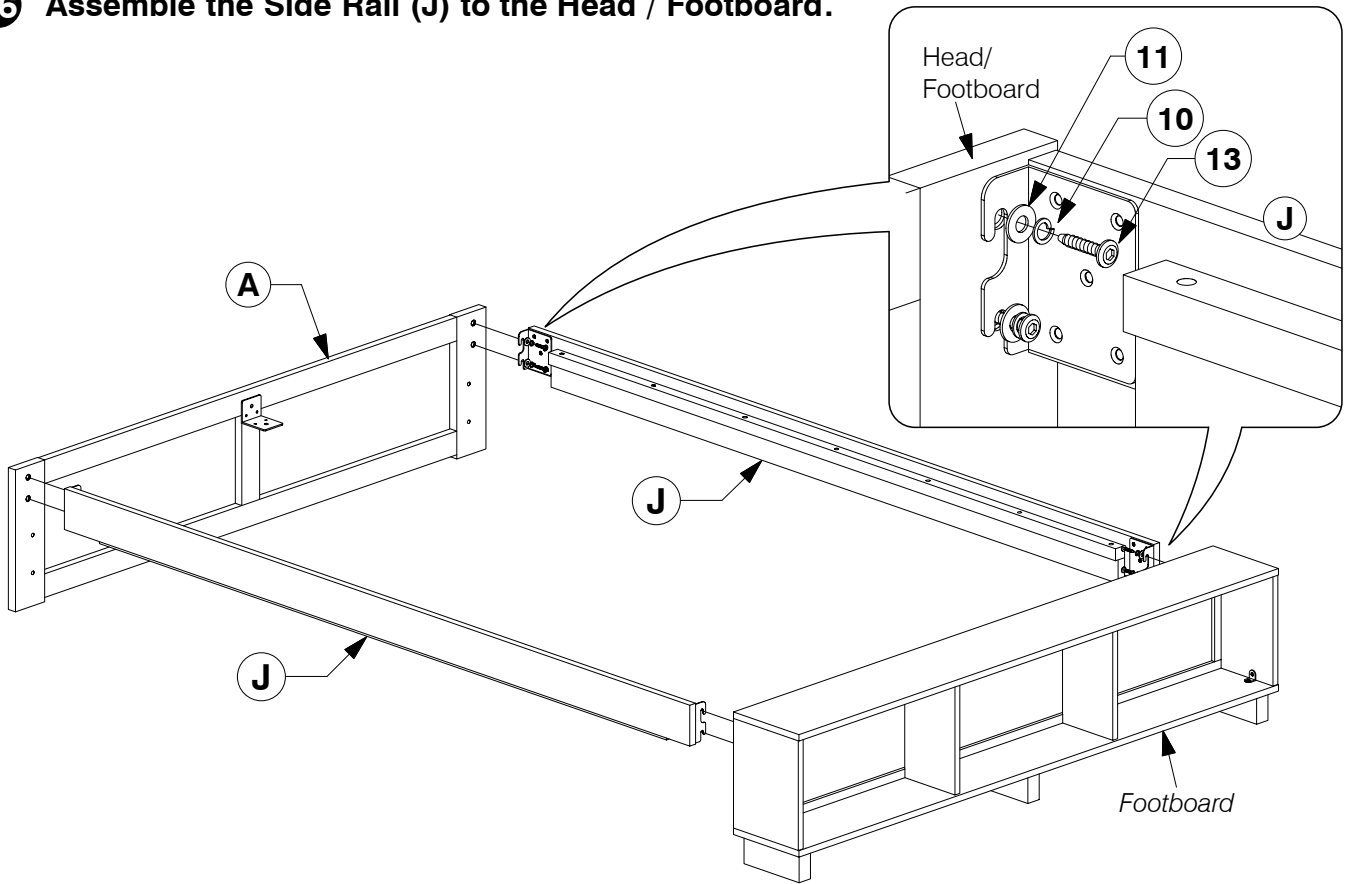
- 15** Fit the Footboard Top & Bottom Panel (B & D) with M4 x 32mm Wood Screw.



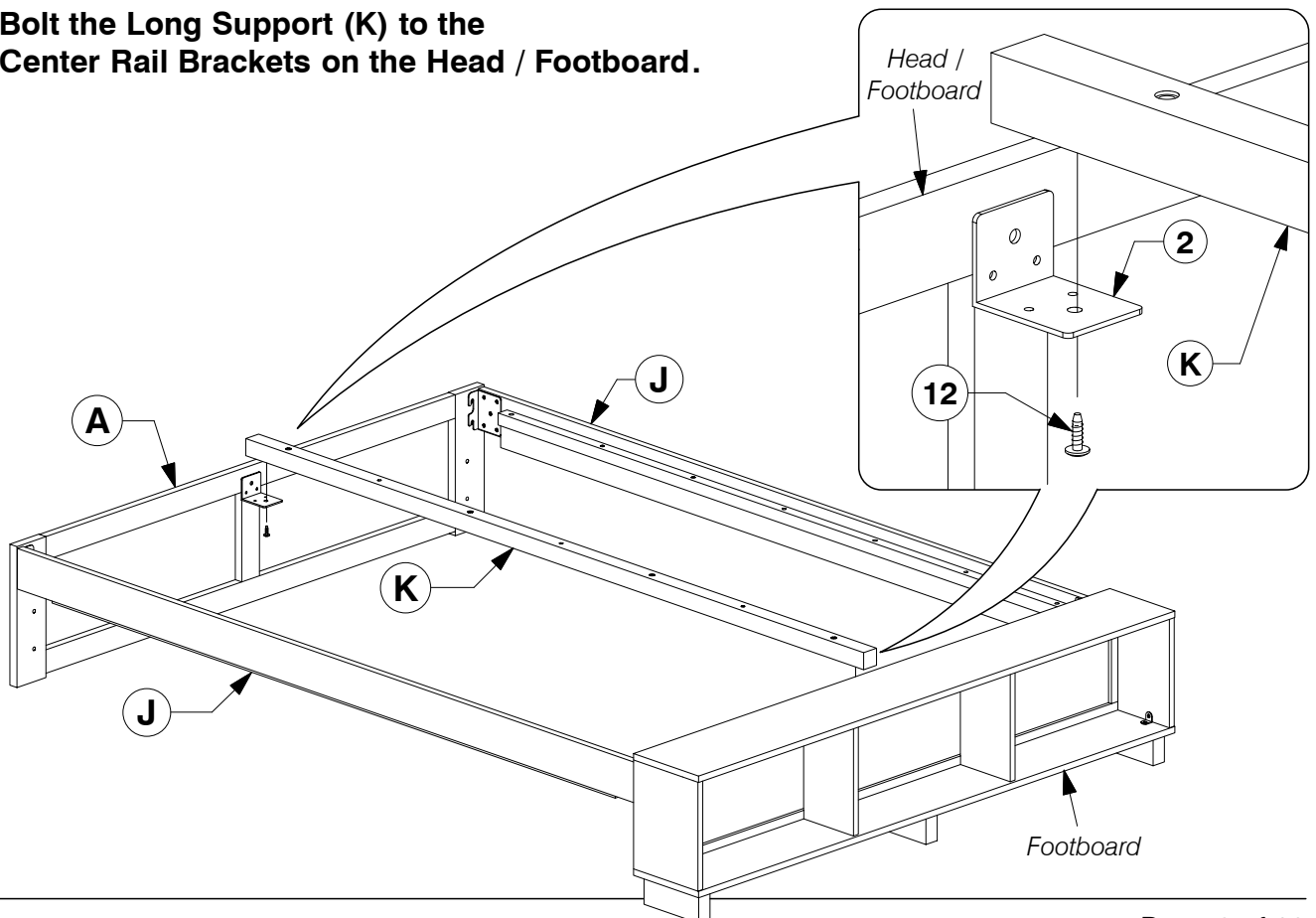
# Full Bed

## Assembly Instructions

### 16 Assemble the Side Rail (J) to the Head / Footboard.



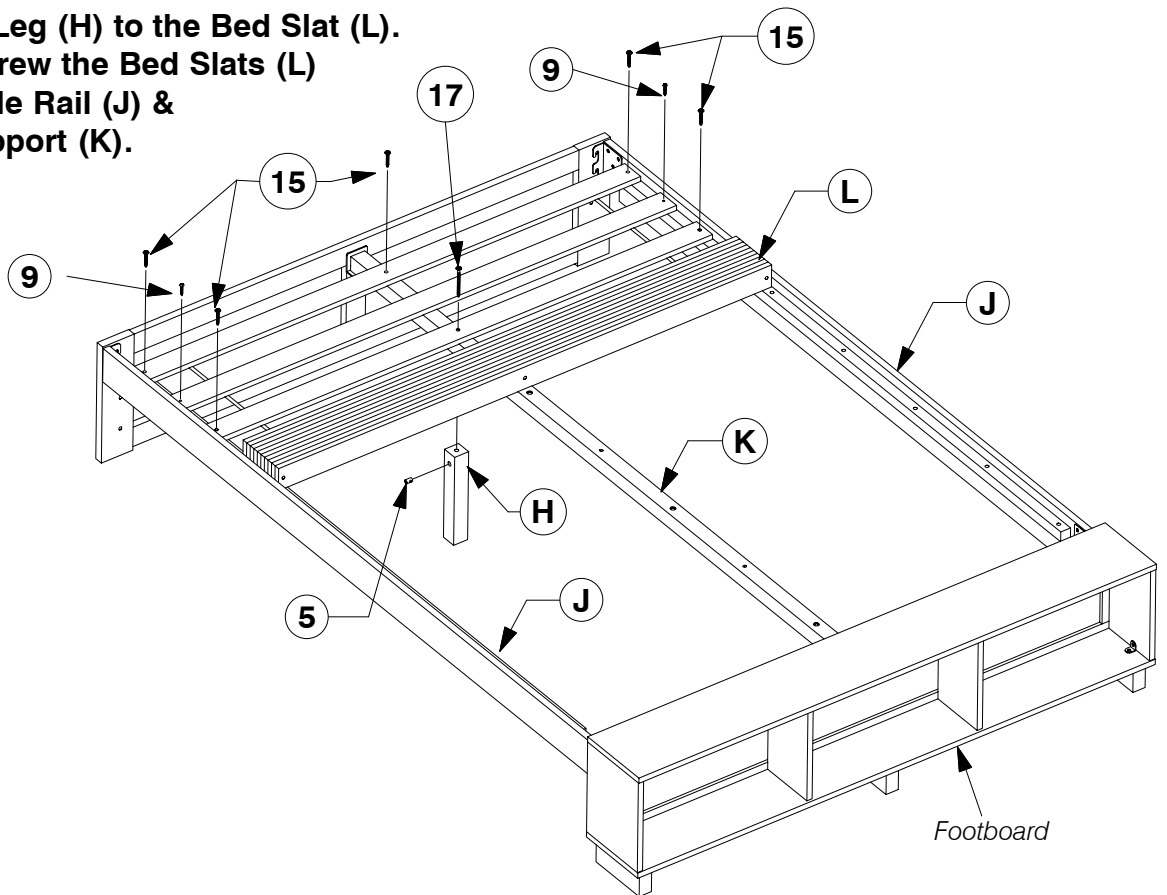
### 17 Bolt the Long Support (K) to the Center Rail Brackets on the Head / Footboard.



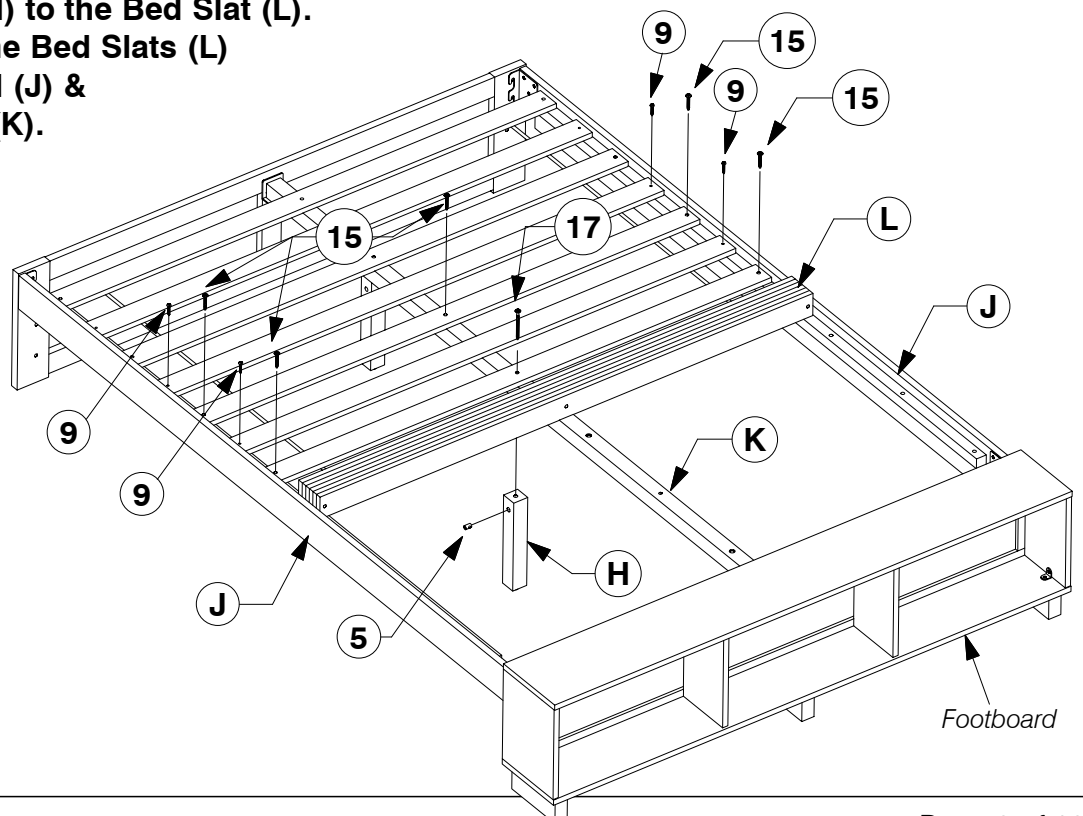
# Full Bed

## Assembly Instructions

- 18** Fit the first 3 Slats and assemble the Support Leg (H) to the Bed Slat (L). Bolt & screw the Bed Slats (L) to the Side Rail (J) & Long Support (K).



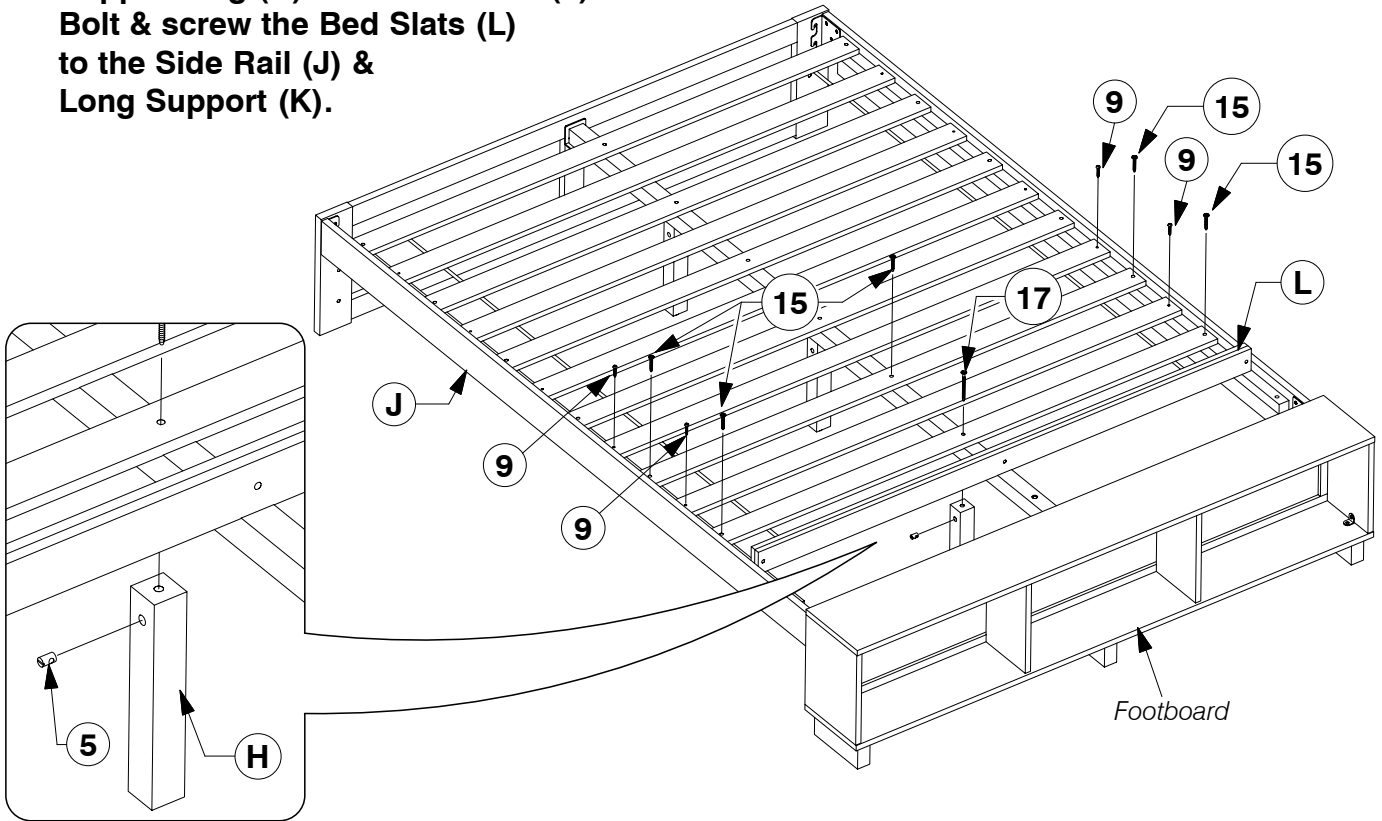
- 19** Fit the other Slats out and assemble the Support Leg (H) to the Bed Slat (L). Bolt & screw the Bed Slats (L) to the Side Rail (J) & Long Support (K).



# Full Bed

## Assembly Instructions

- 20** Fit the other Slats out and assemble the Support Leg (H) to the Bed Slat (L). Bolt & screw the Bed Slats (L) to the Side Rail (J) & Long Support (K).



- 21** Bolt & screw the remaining Bed Slats (L) to the Side Rail (J).

Finally fit the assembled Drawers.

