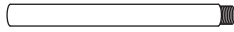
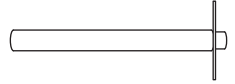

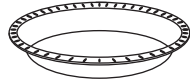
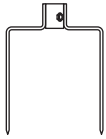
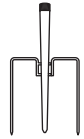

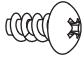

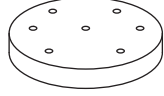
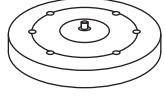



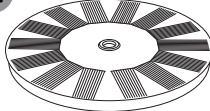




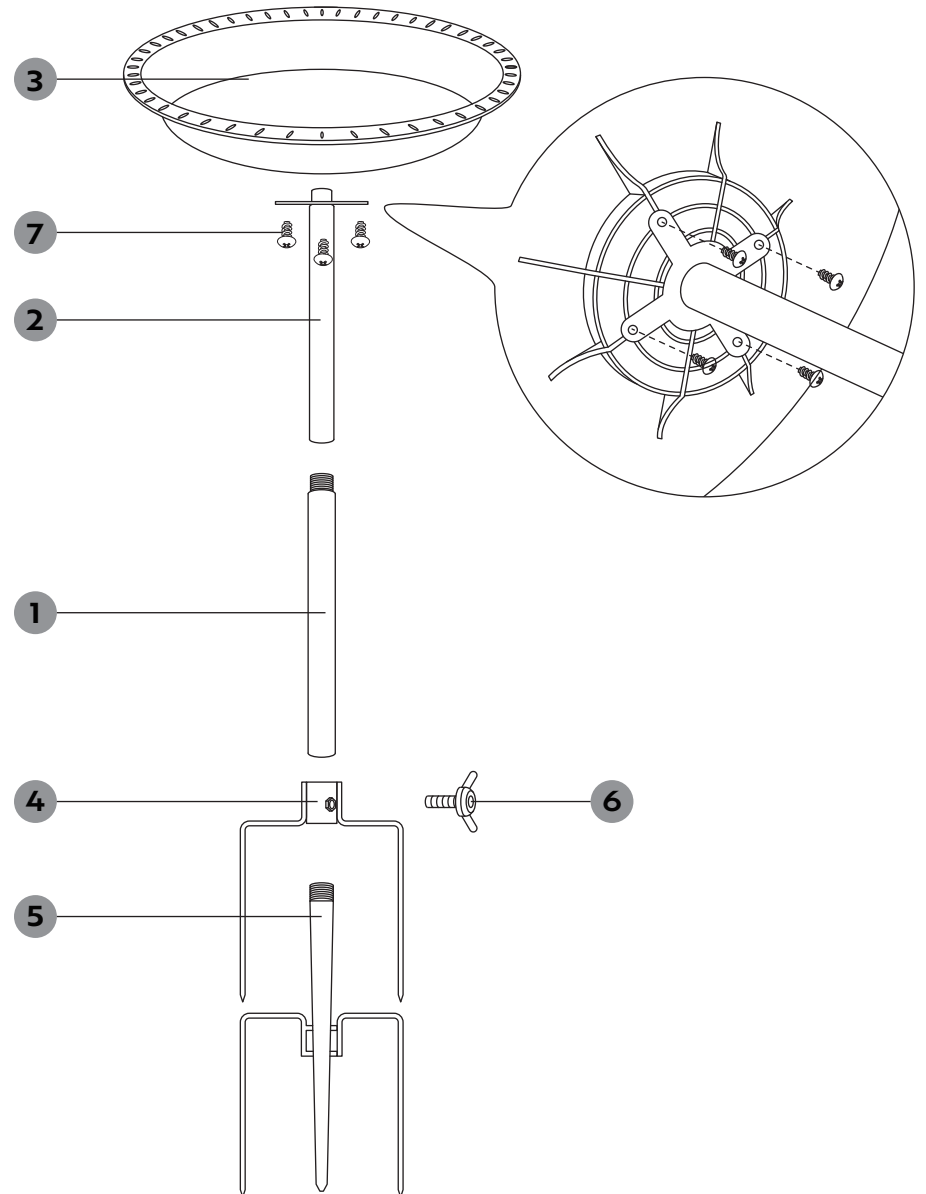
Oval Bird Bath with Fountain

SECTION A
Parts List



<p>1 x 1pc</p> 	<p>2 x 1pc</p> 	<p>X x 4pcs</p> 
<p>3 x 1pc</p> 	<p>4 x 1pc</p> 	<p>5 x 1pc</p> 
<p>6 x 1pc</p> 	<p>7 x 4pcs</p> 	<p>A x 1pc</p> 
<p>B x 1pc</p> 	<p>C x 1pc</p> 	<p>D x 1pc</p> 
<p>E x 1pc</p> 	<p>F x 1pc</p> 	<p>G x 1pc</p> 

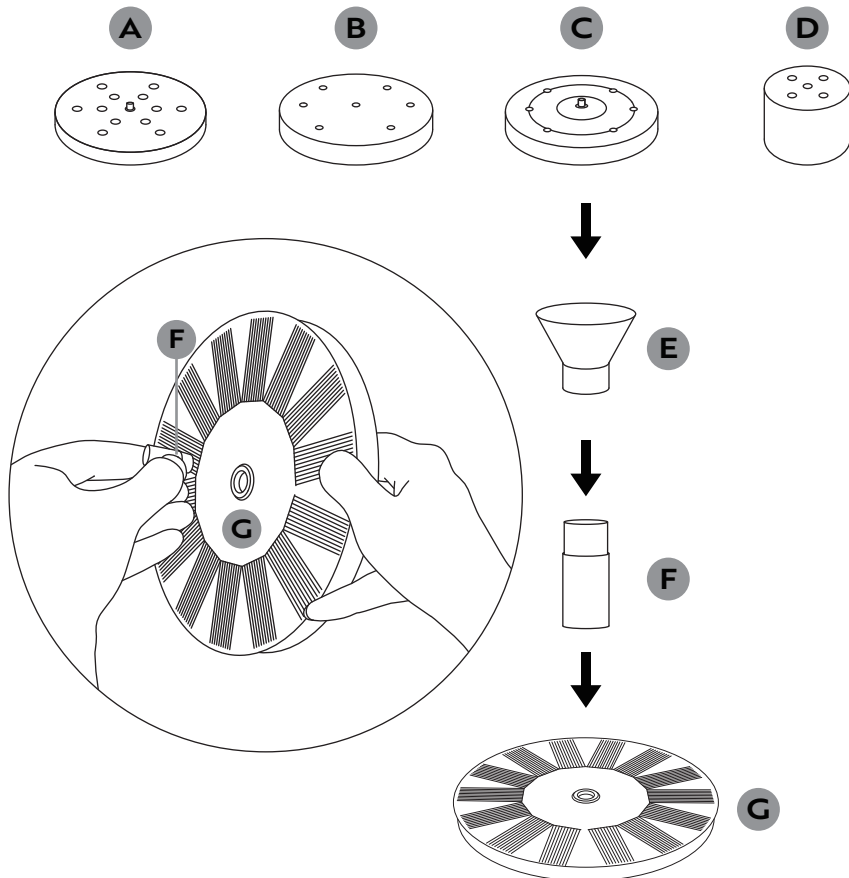
STEP 1:



**STEP 2:** Choose a spout for your fountain!

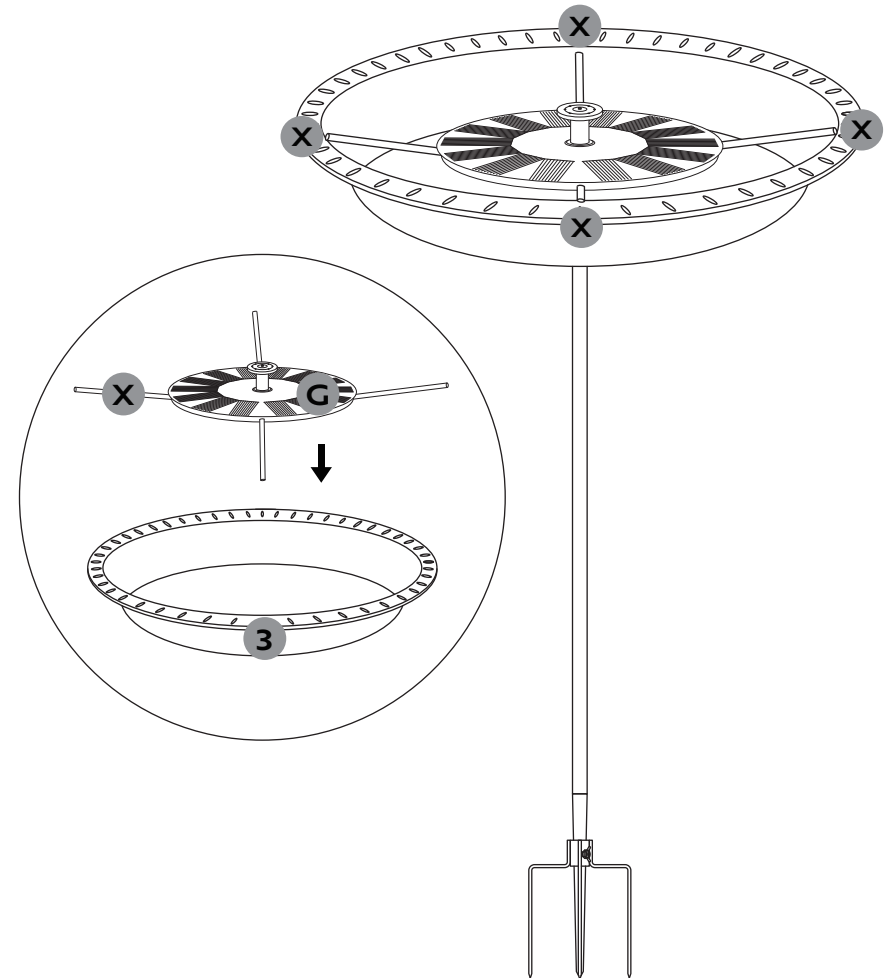
G+F+D

G+F+E+A/B/C

**STEP 3:** Fix X at the four ends of G and place it

in the basin

G+F+E+C



Thank You for Purchasing from

VIVOHOME

Made in China