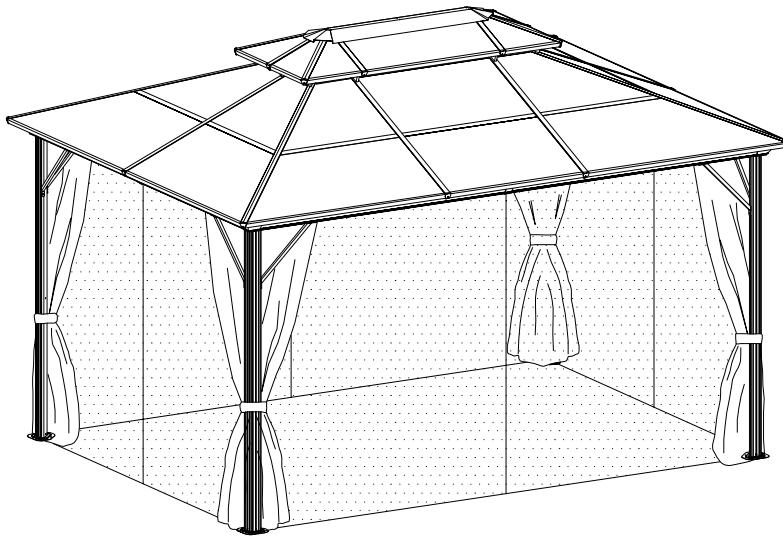


10 x 13 FT



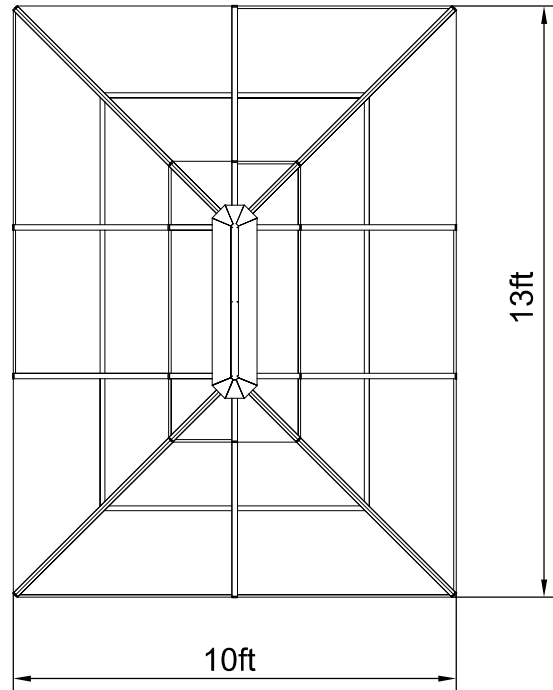
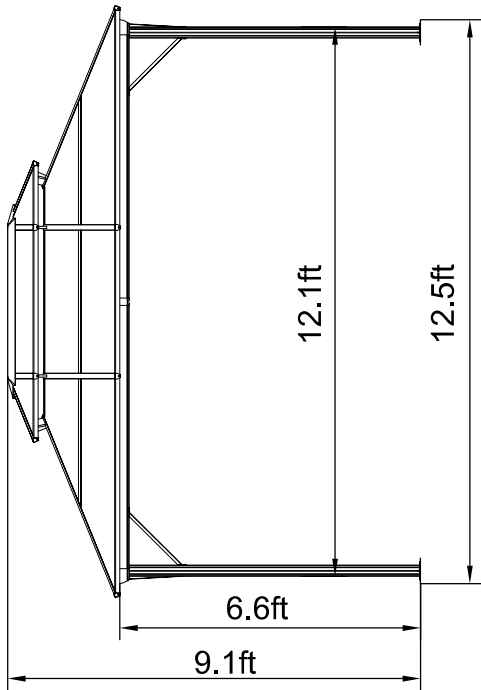
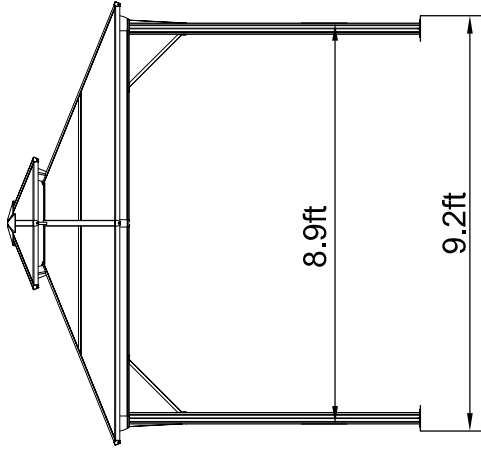
HWG-011JS



At least need 3 people work together

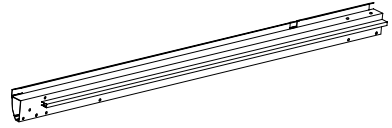
REQUIRED TOOLS



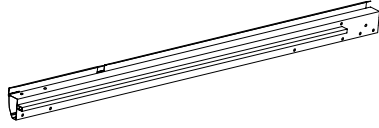




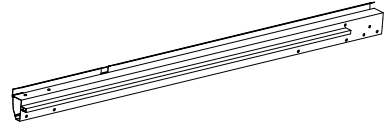
A 4x



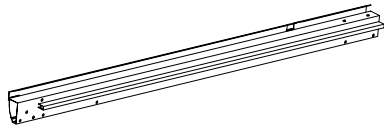
B 2x



B1 2x



C 2x



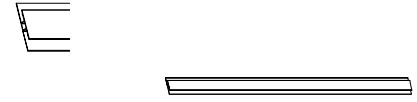
C1 2x



D 4x



E 6x



F 2x



F1 4x



F2 4x



G 2x



G1 4x



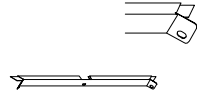
G2 4x



G3 2x



G4 2x



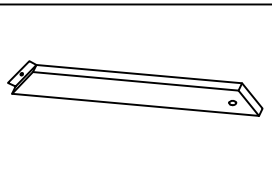
G5 2x



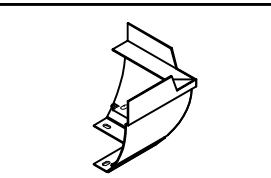
G6 2x



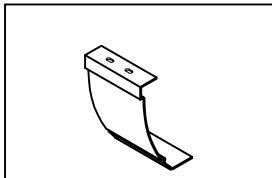
H 4x



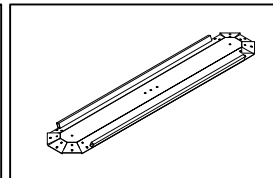
H1 4x



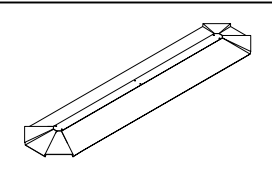
K 4x



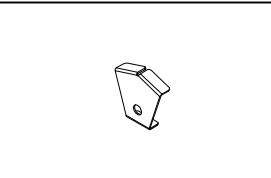
K1 4x



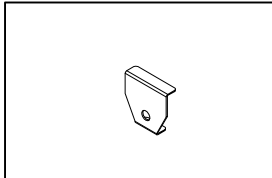
L 1x



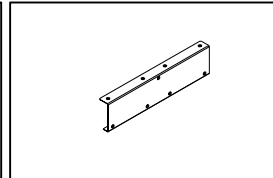
M 1x



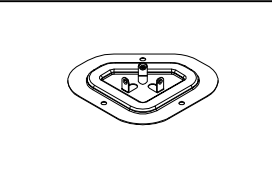
N 12x



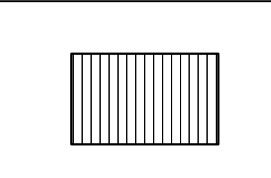
N1 6x



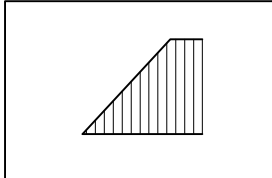
P 4x



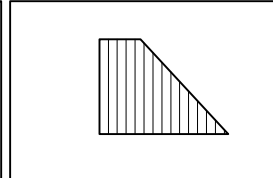
J 4x



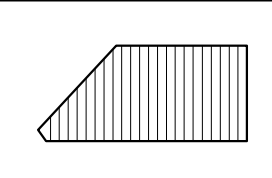
Q 4x



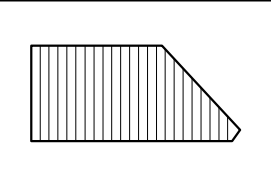
Q1 4x



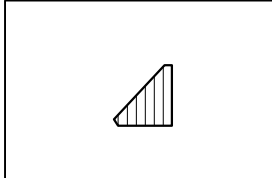
Q2 4x



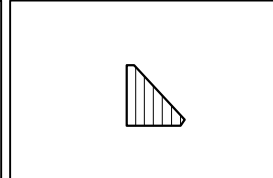
Q3 4x



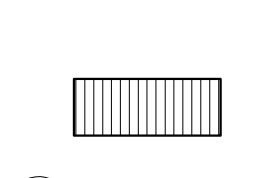
Q4 4x



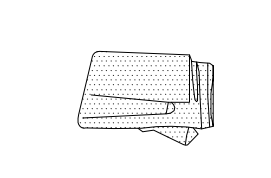
R1 4x



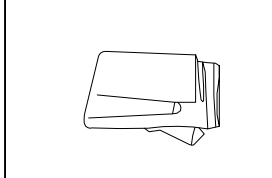
R2 4x



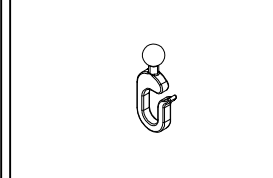
R3 2x



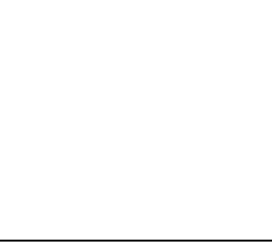
S 4x



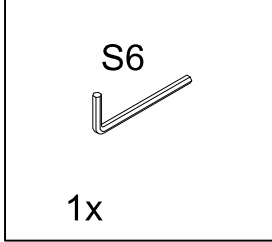
T 4x



U 112x



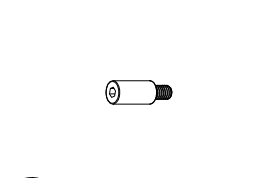
S4
1x



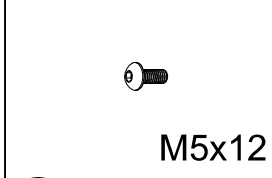
S6
1x



1 136x
M6x16



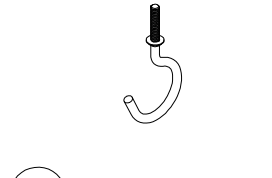
2 16x



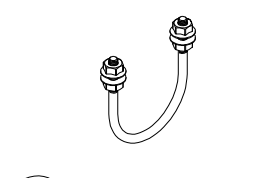
3 4x
M5x12



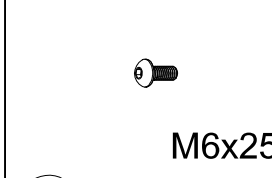
4 16x
ST4.8x12



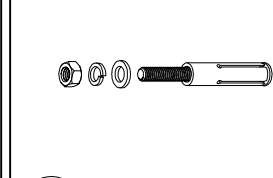
5 2x



6 1x



7 1x
M6x25



8 12x

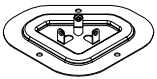


<1>

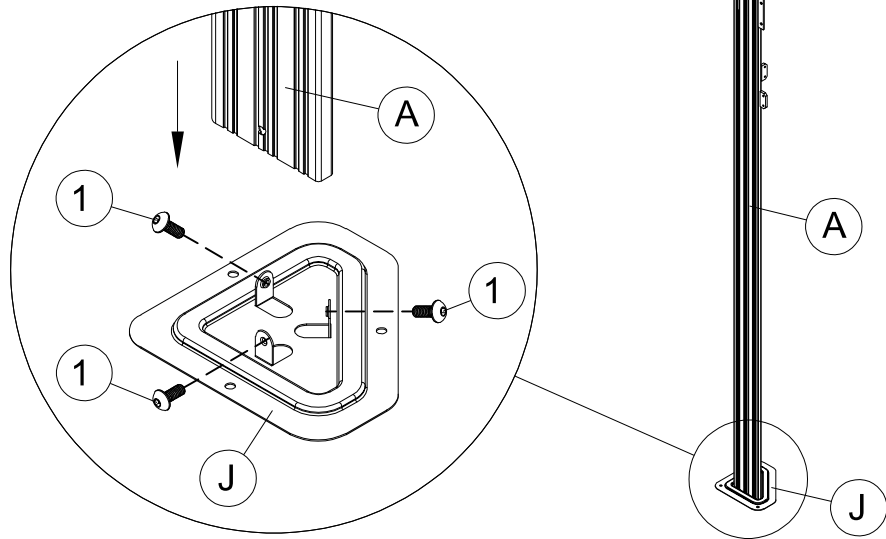
A 4x



1 12x M6x16



J 4x

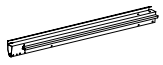




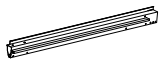
B 2x



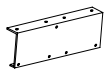
B1 2x



C 2x



C1 2x

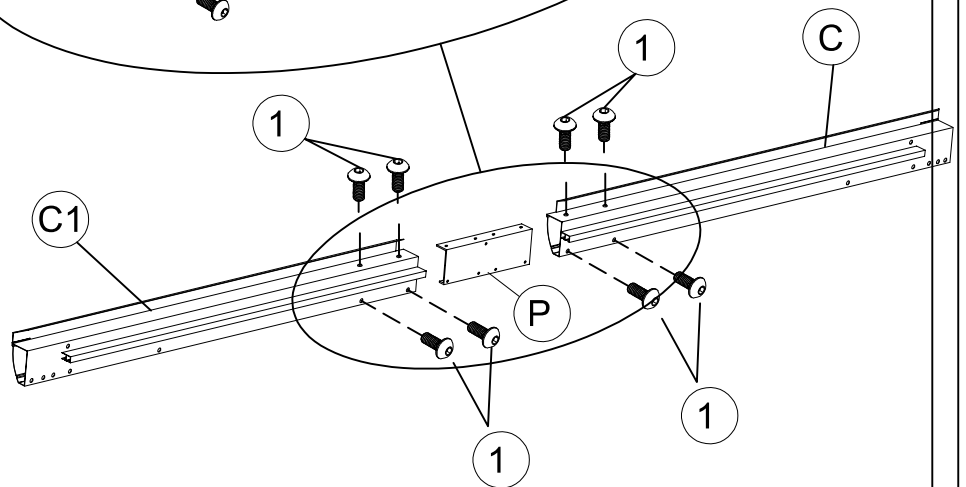
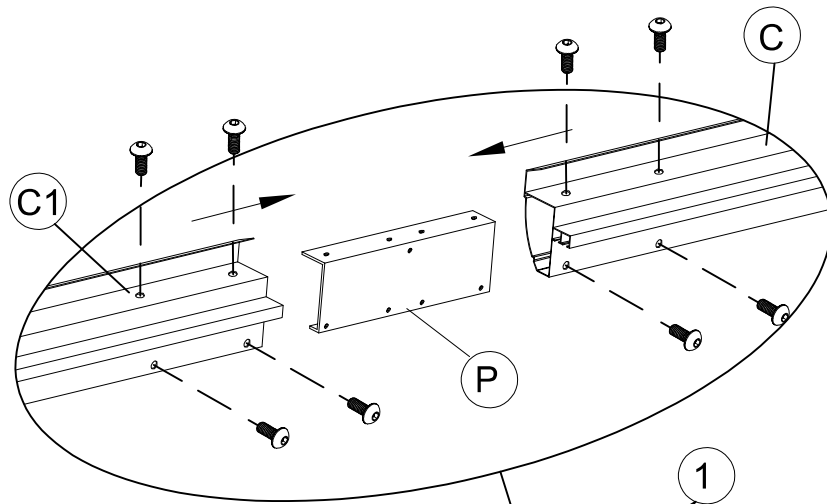
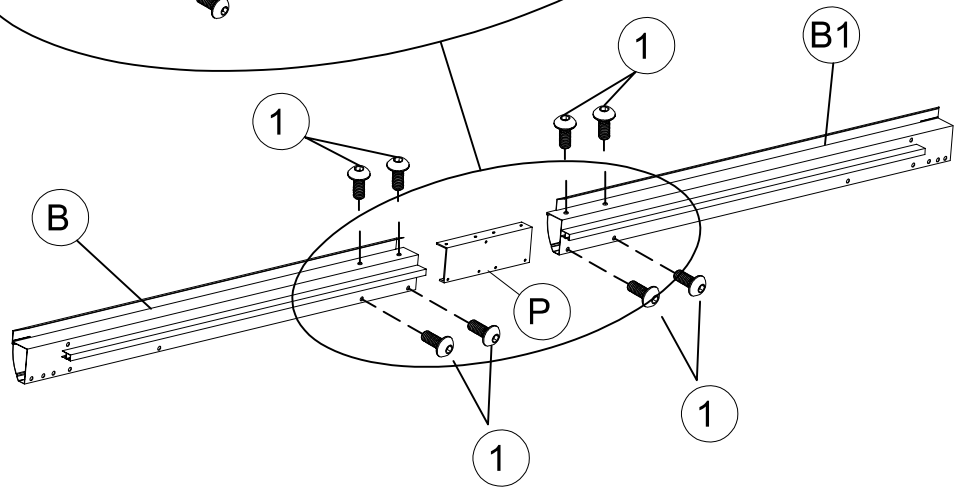
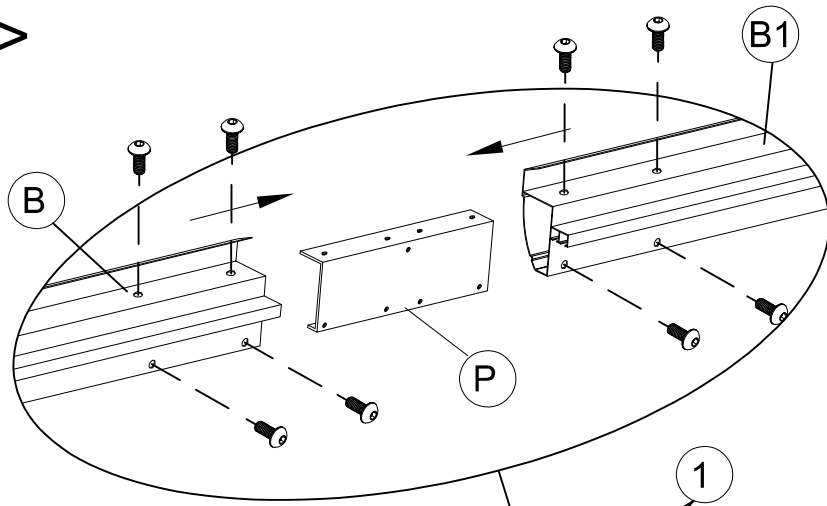


P 4x



1 32x M6x16

<2>





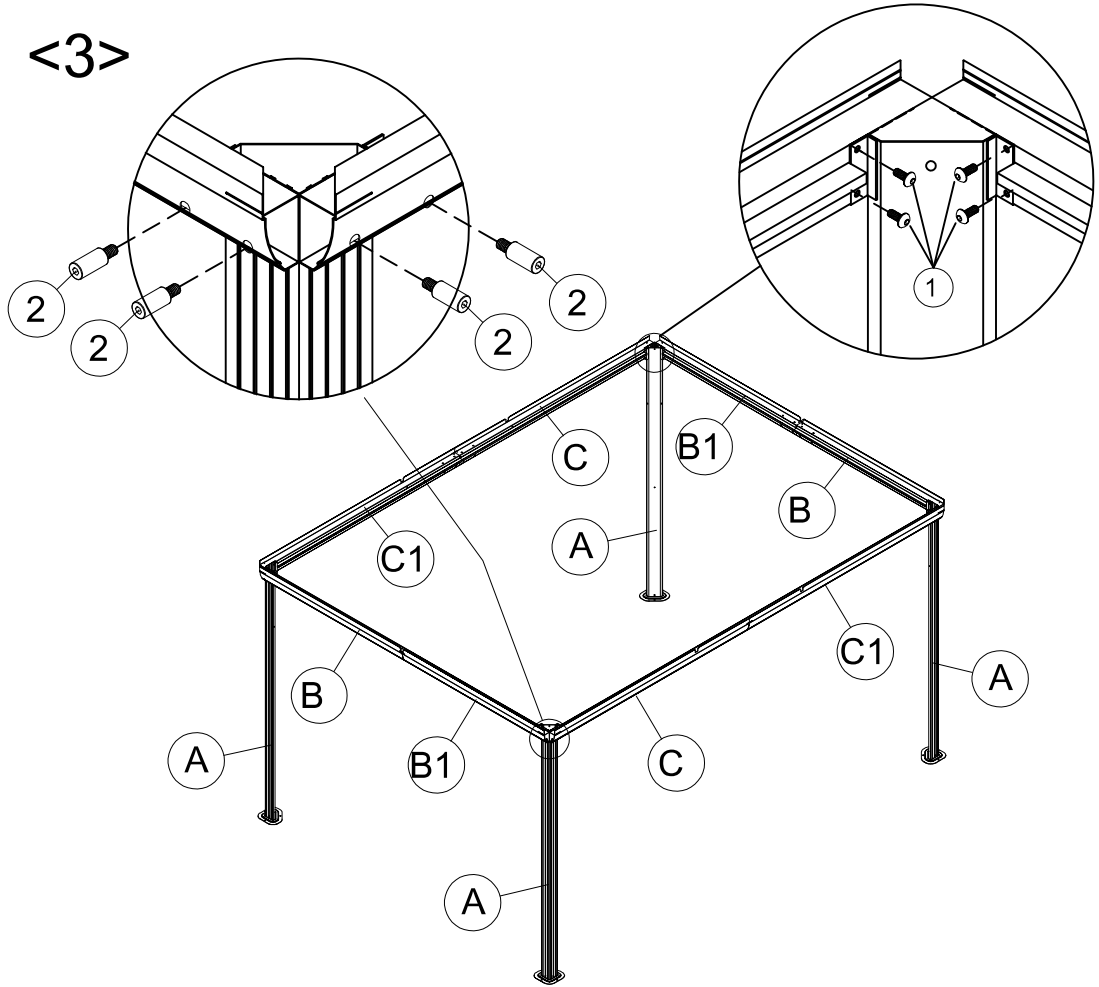
M6x16

1 16x



2 16x

<3>



H 4x



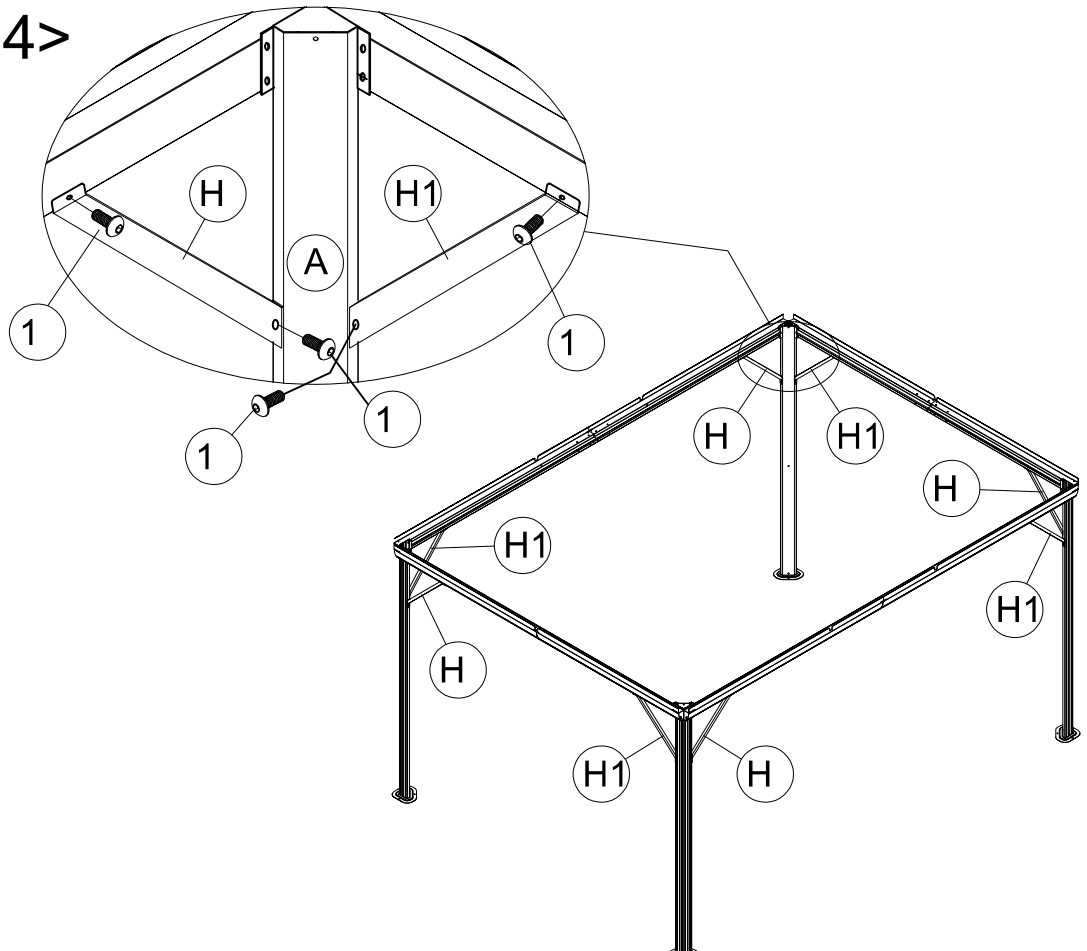
H1 4x



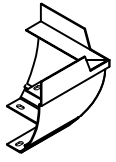
M6x16

1 16x

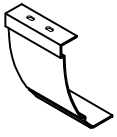
<4>



<5>



(K) 4x



(K1) 4x



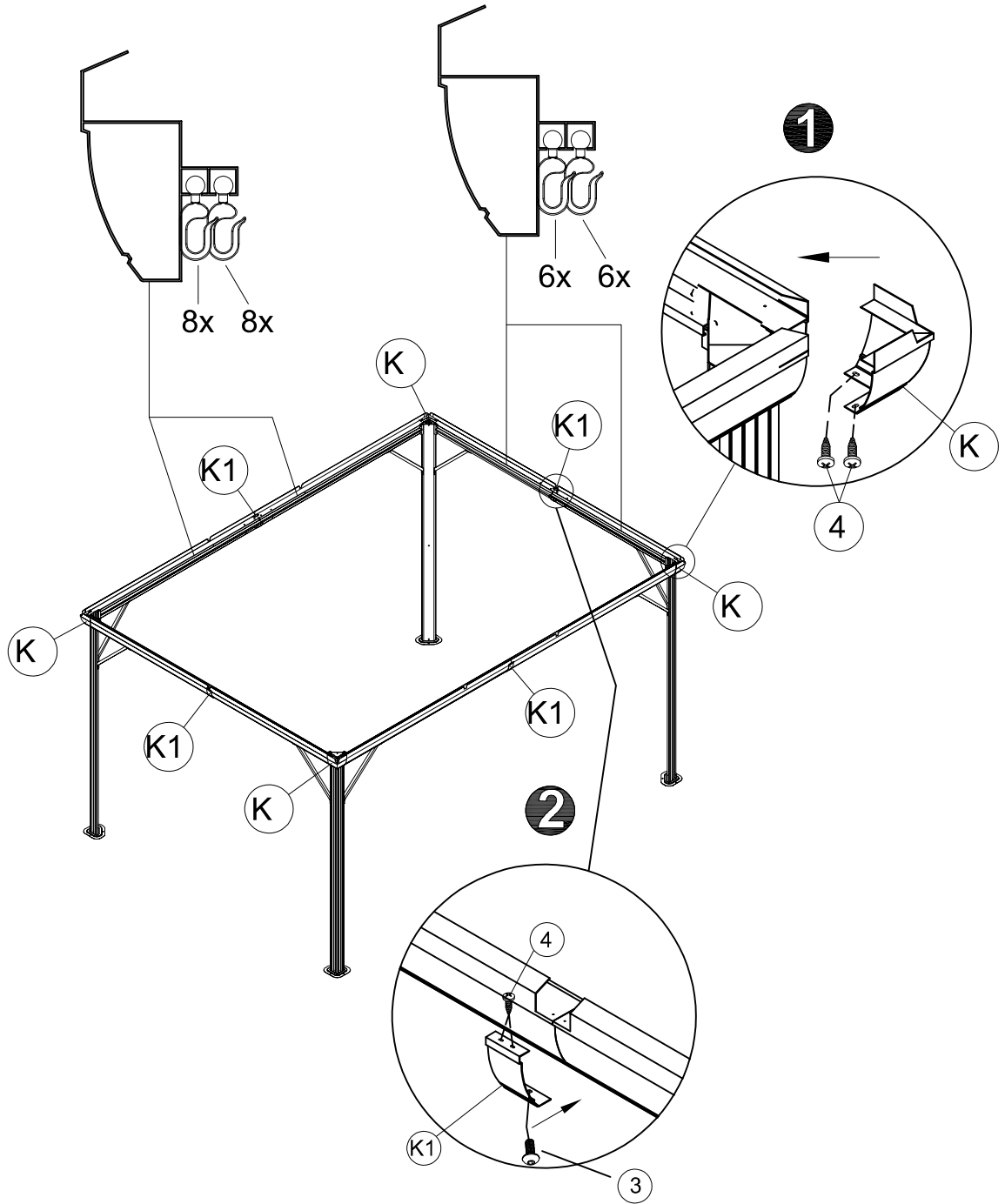
(U) 112x

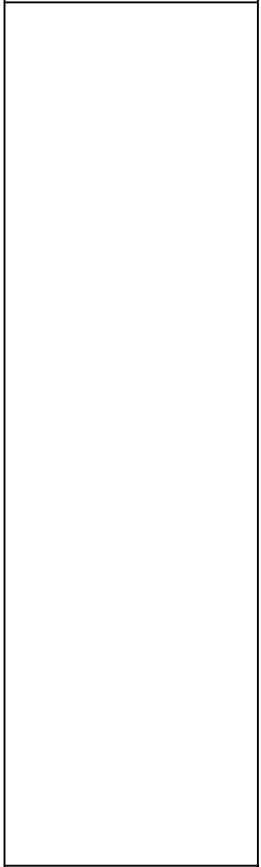
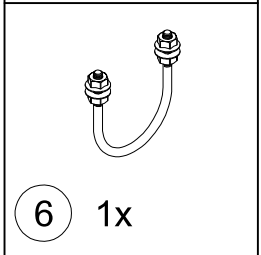
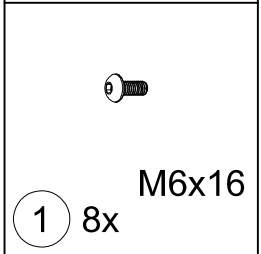
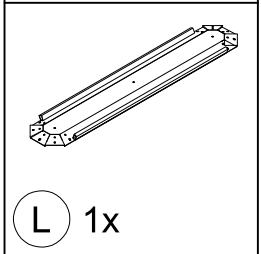
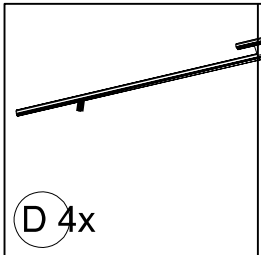


(3) 4x M5x12



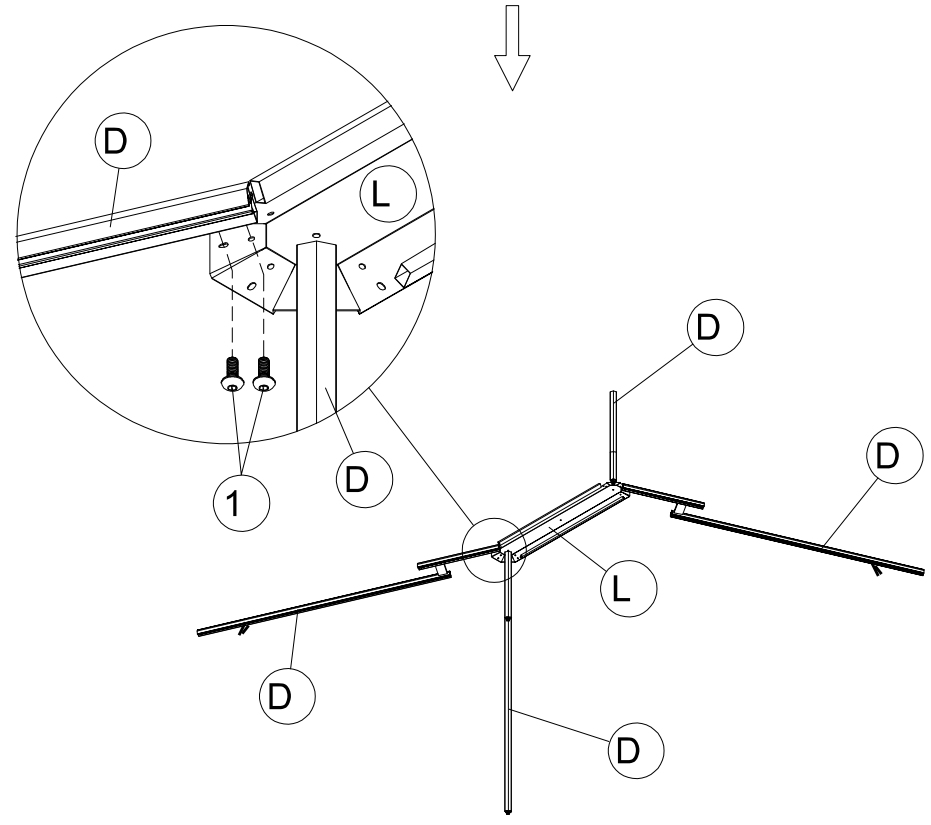
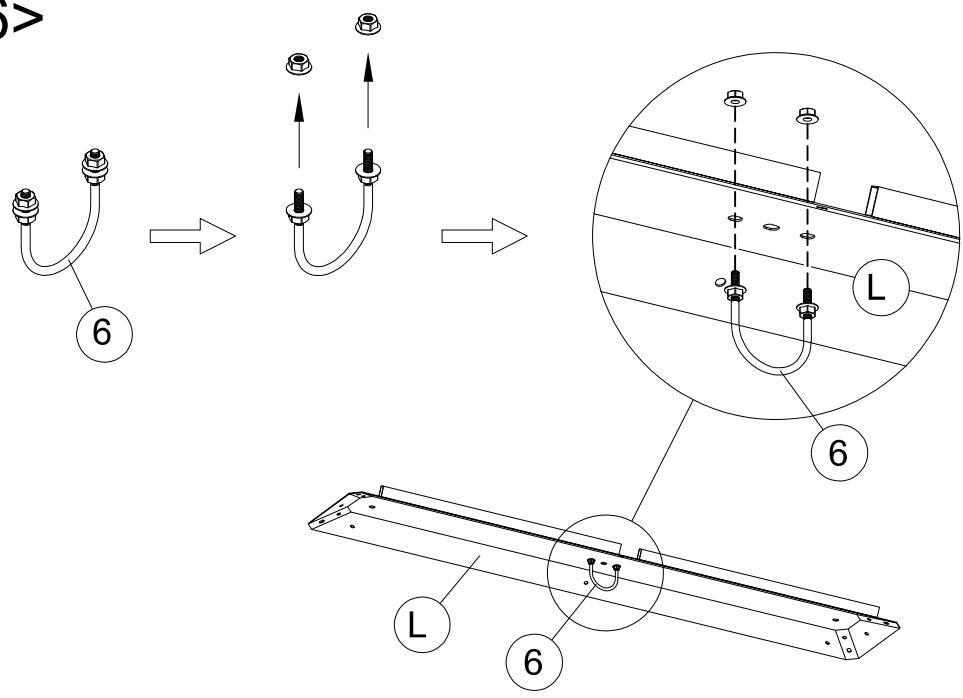
(4) 16x ST4.8 x12





8

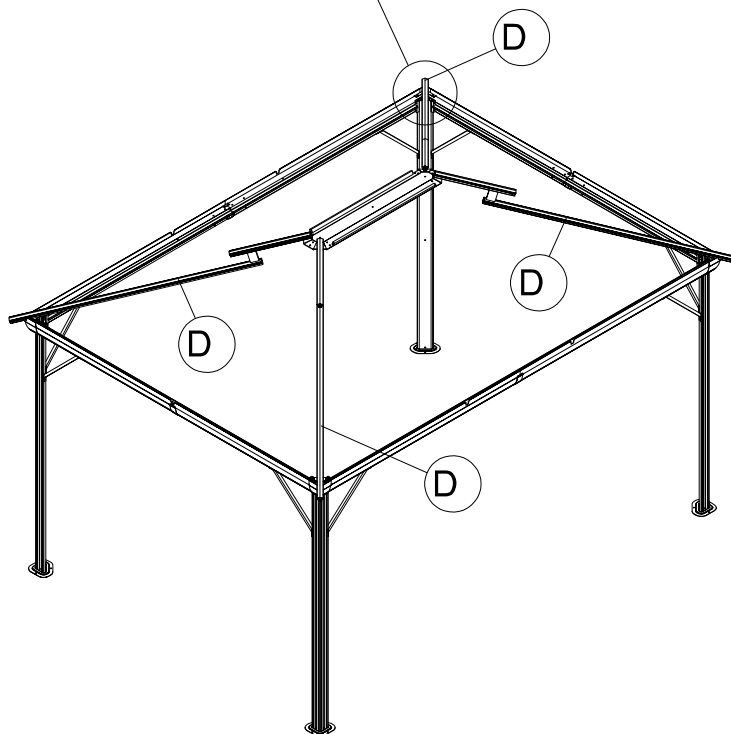
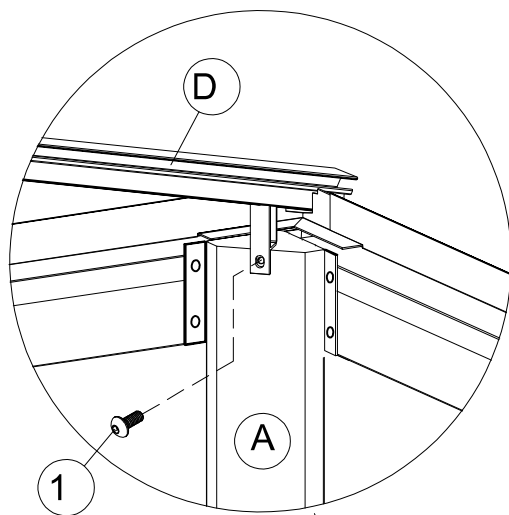
<6>

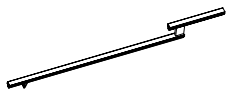




<7>

1 4x M6x16



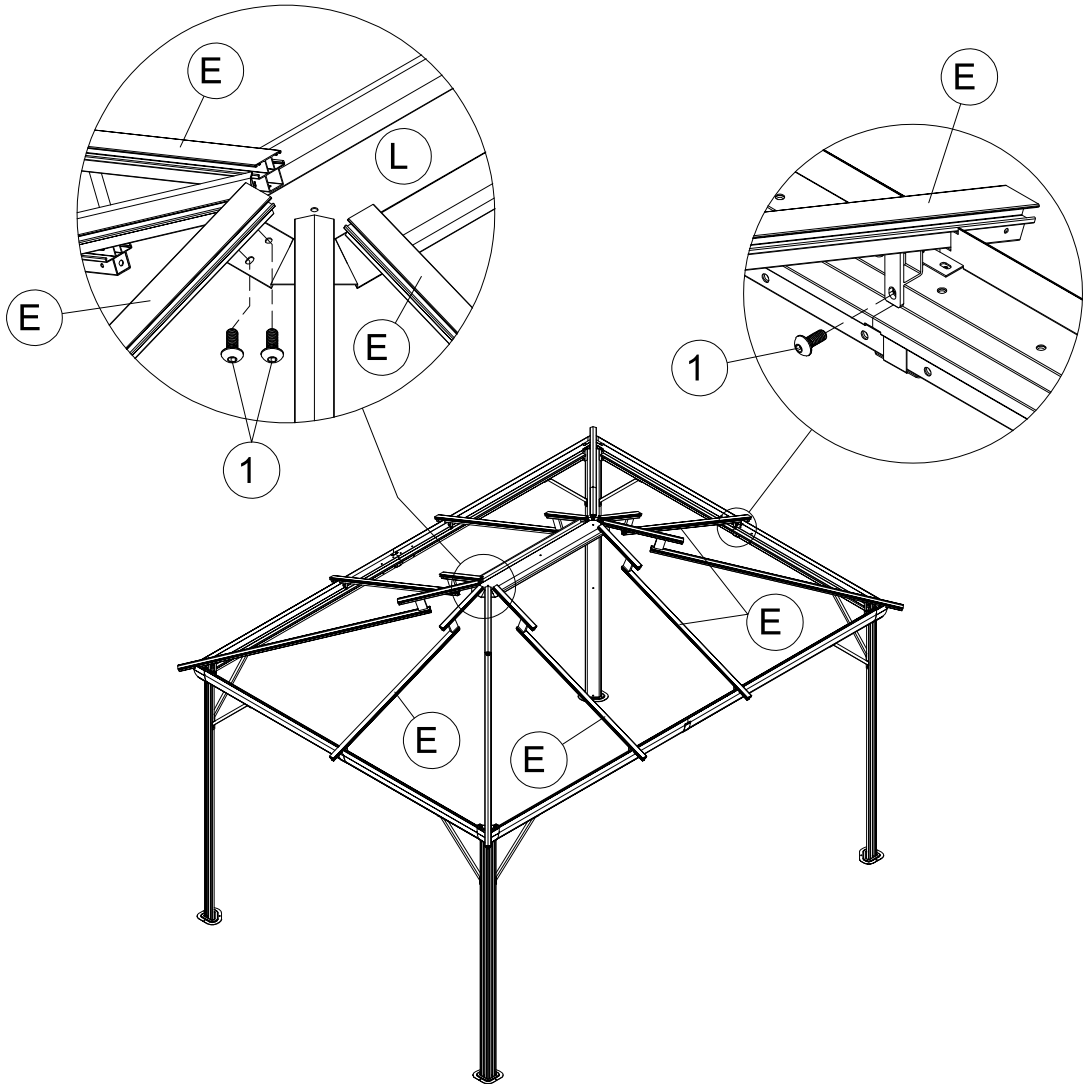


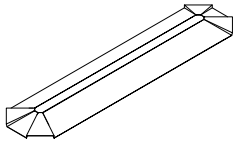
<8>

E 6x



1 18x M6x16





(M) 1x

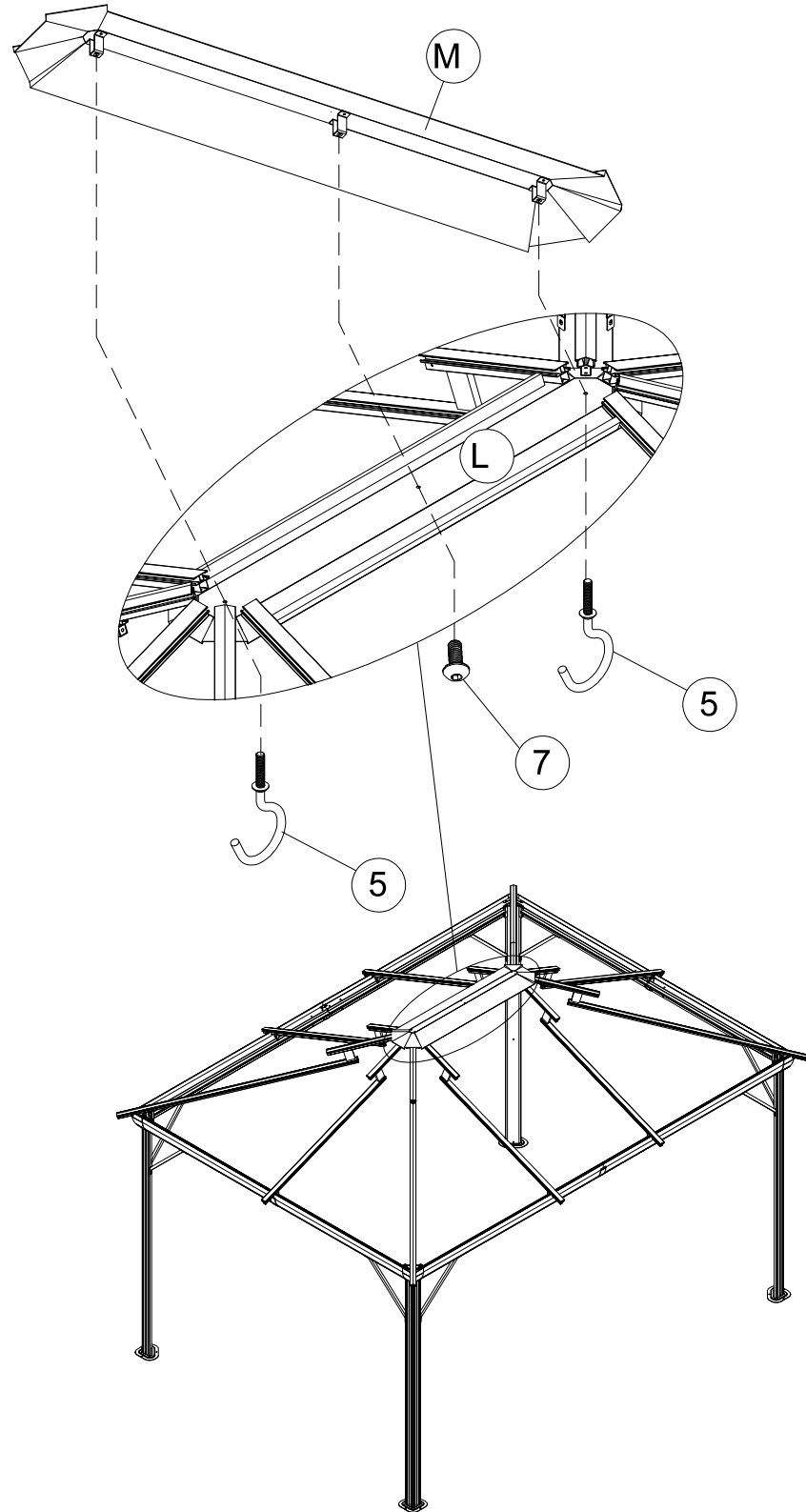


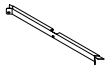
(7) 1x M6x25



(5) 2x

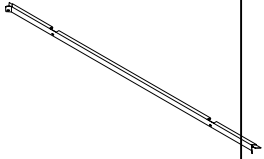
<9>





<10>

G5 2x



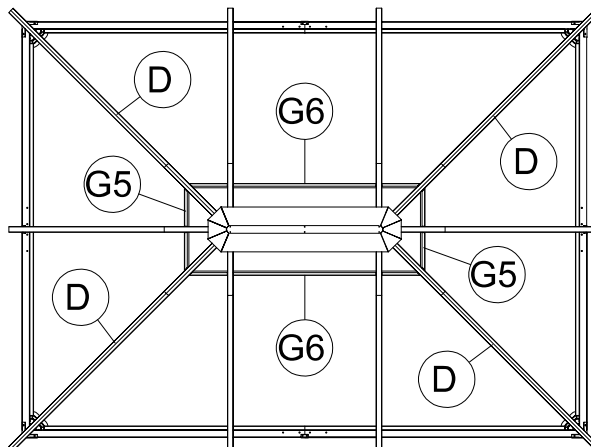
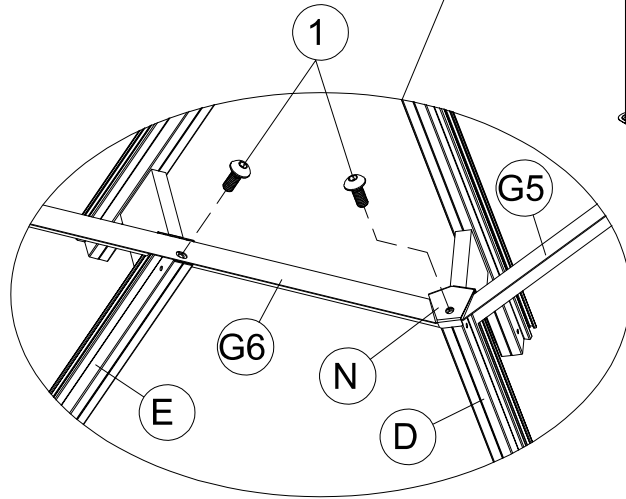
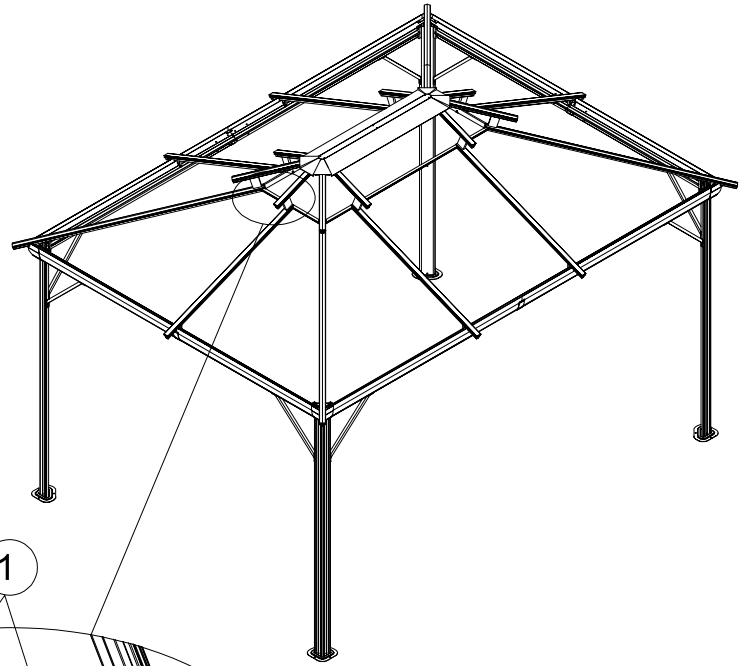
G6 2x



N 4x



1 10x M6x16



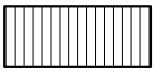


<11>

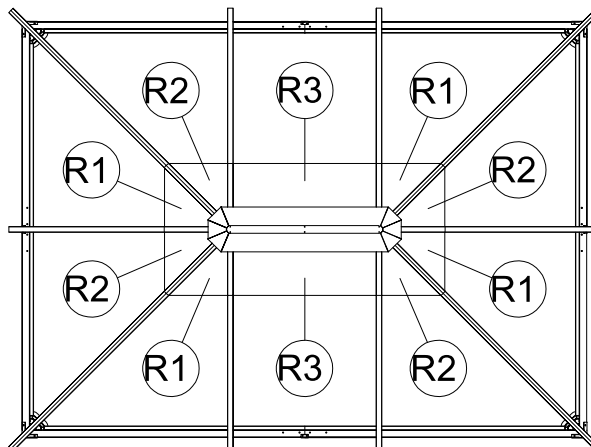
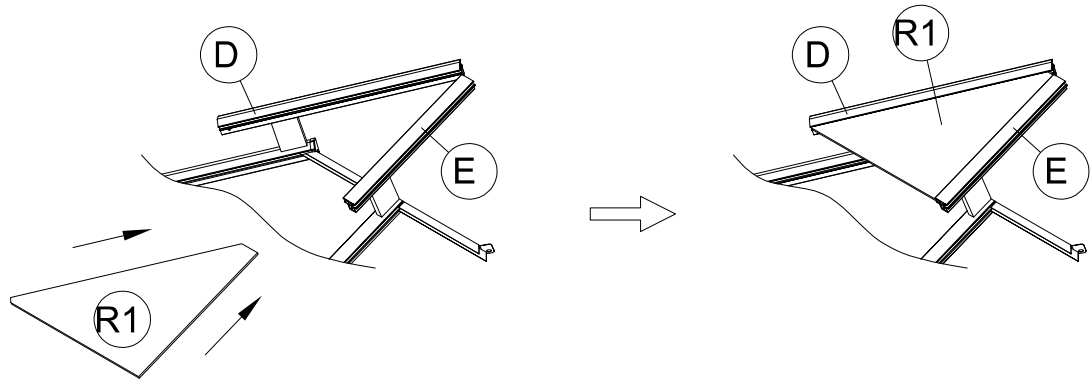
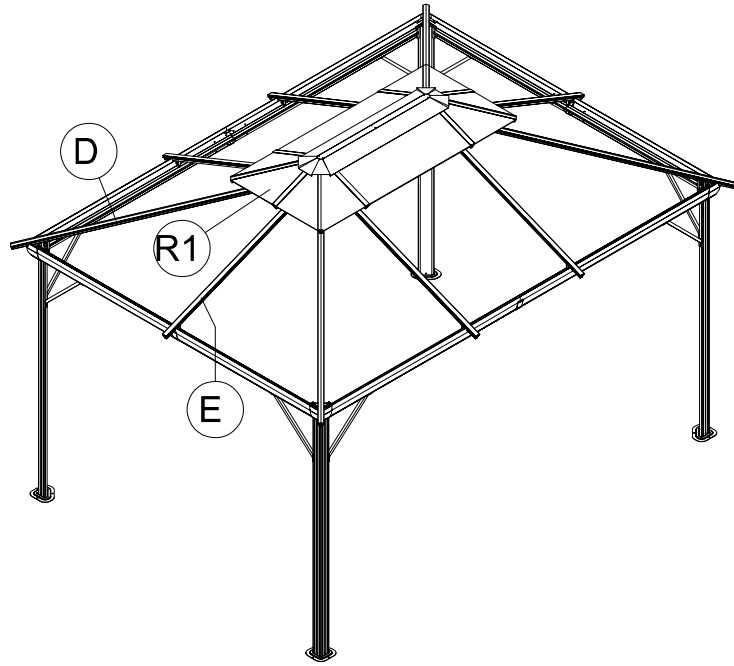
R1 4x



R2 4x



R3 2x





<12>

G3 2x



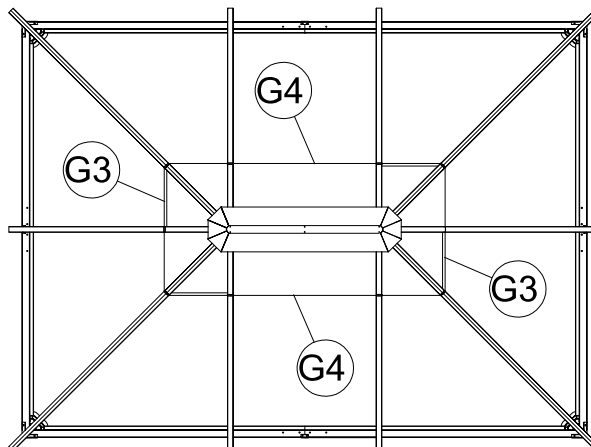
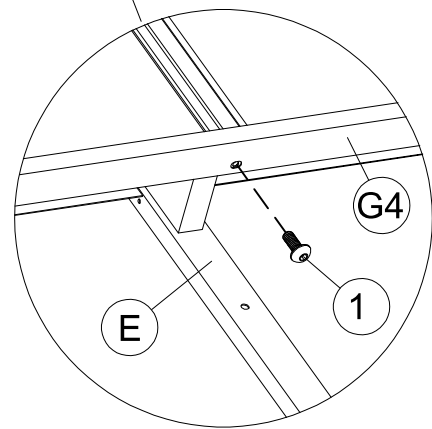
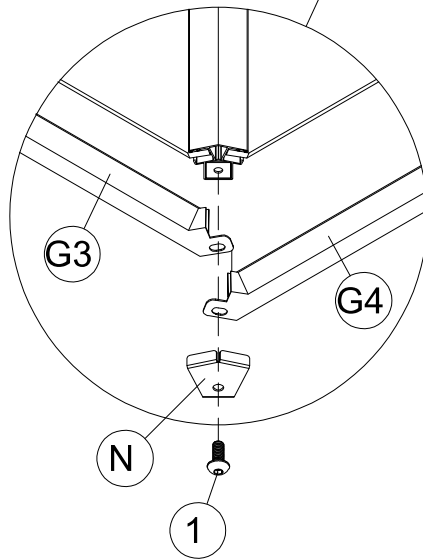
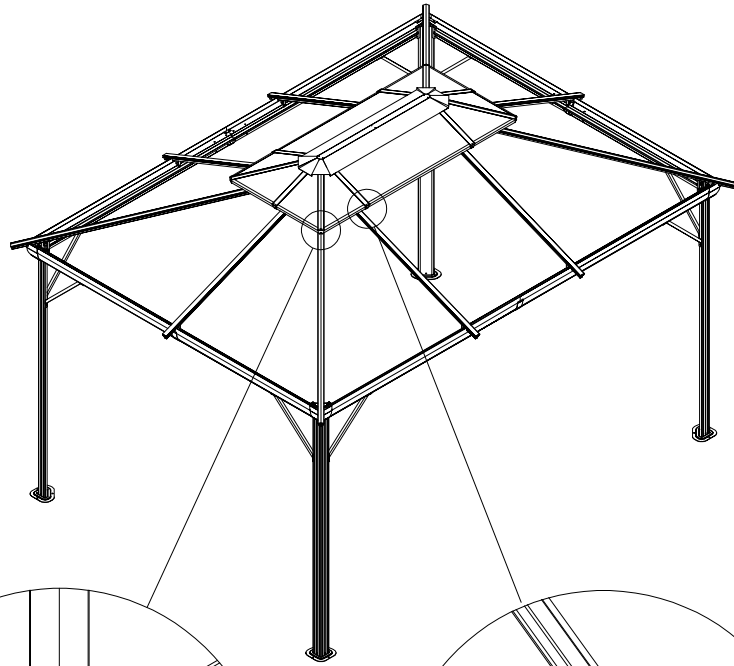
G4 2x



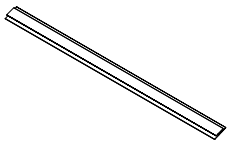
N 4x



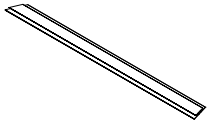
1 10x M6x16



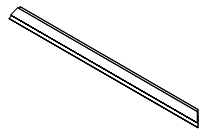
<13>



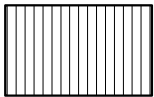
F 2x



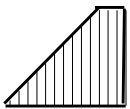
F1 4x



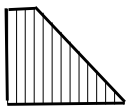
F2 4x



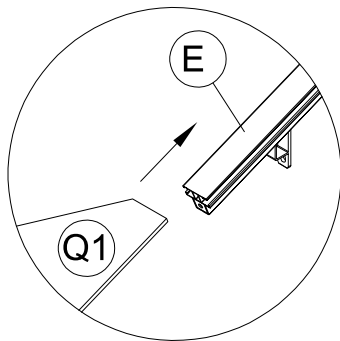
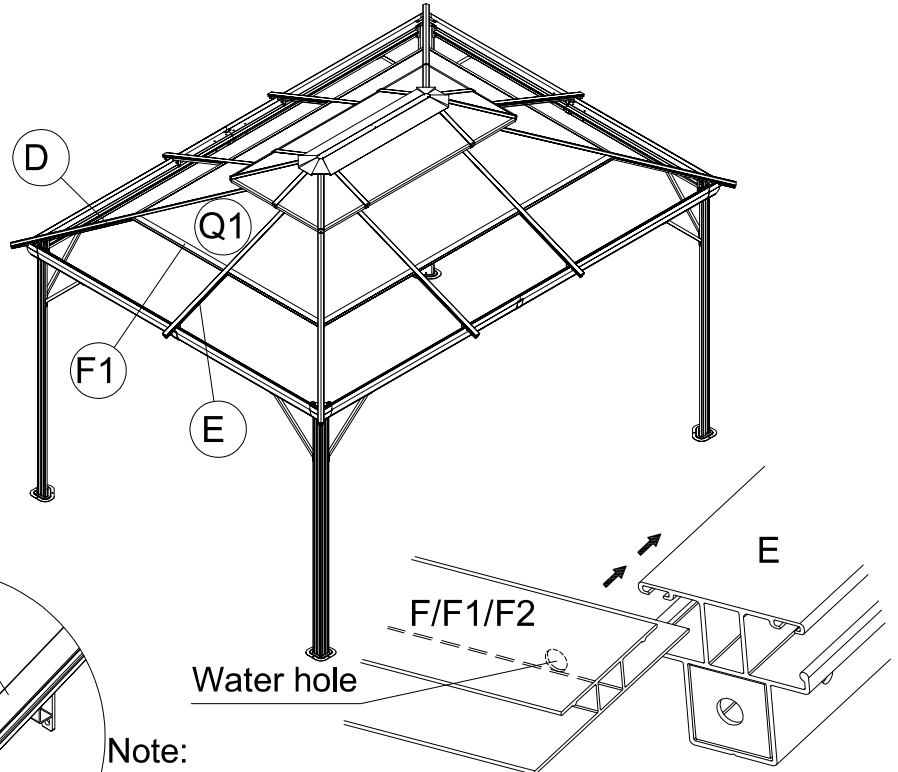
Q 2x



Q1 4x



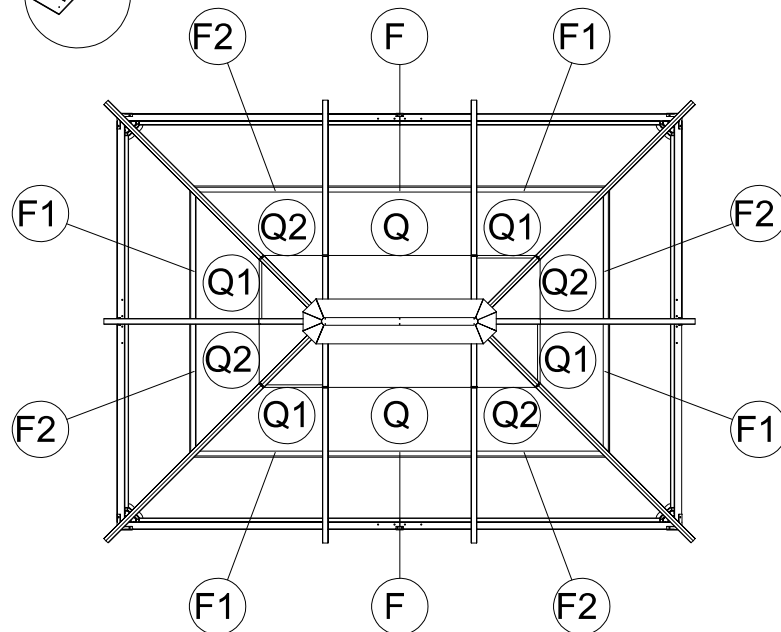
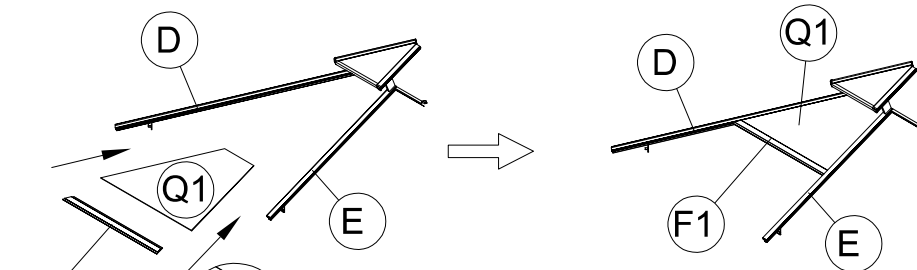
Q2 4x



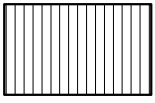
Note:

1. When F1 or F2 or F slide into the E, the wide side must be face down and narrow side face up, otherwise will cause water leaking

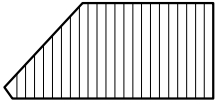
2. F or F1 or F2 the water holes inside of the tube must be face up. otherwise will cause water leaking



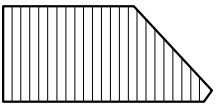
<14>



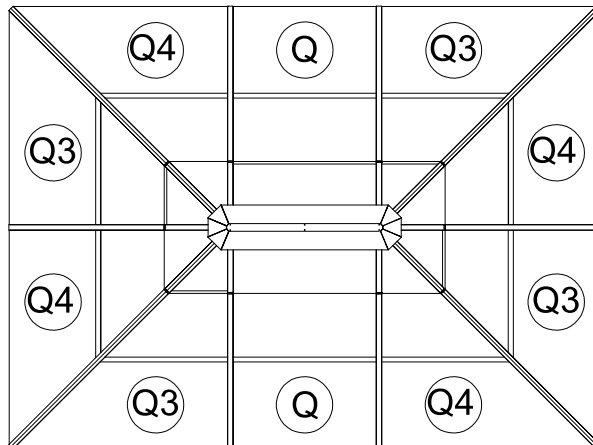
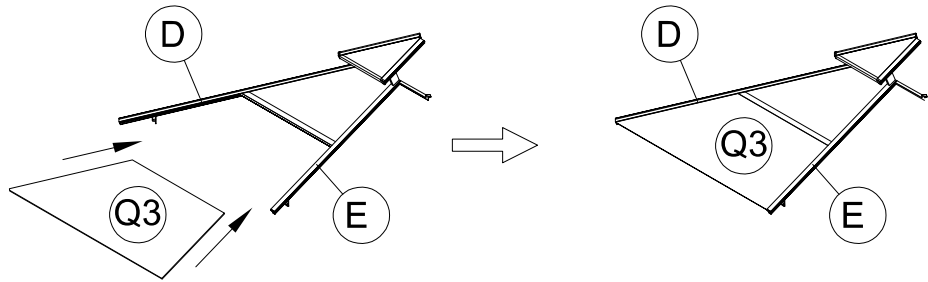
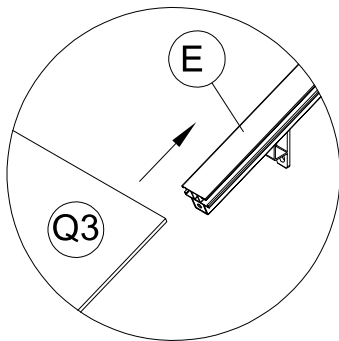
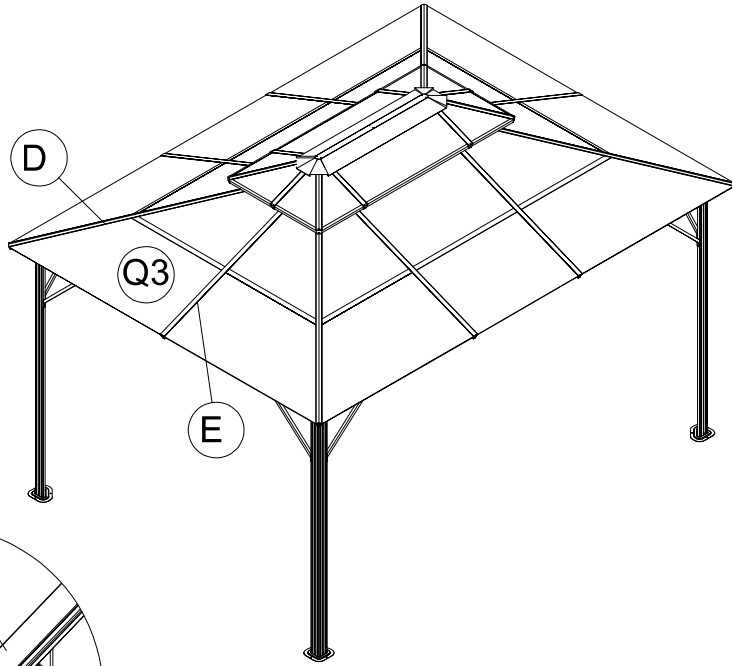
Q 2x



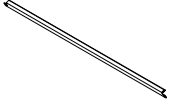
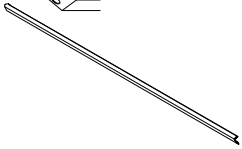
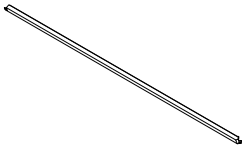



Q3 4x

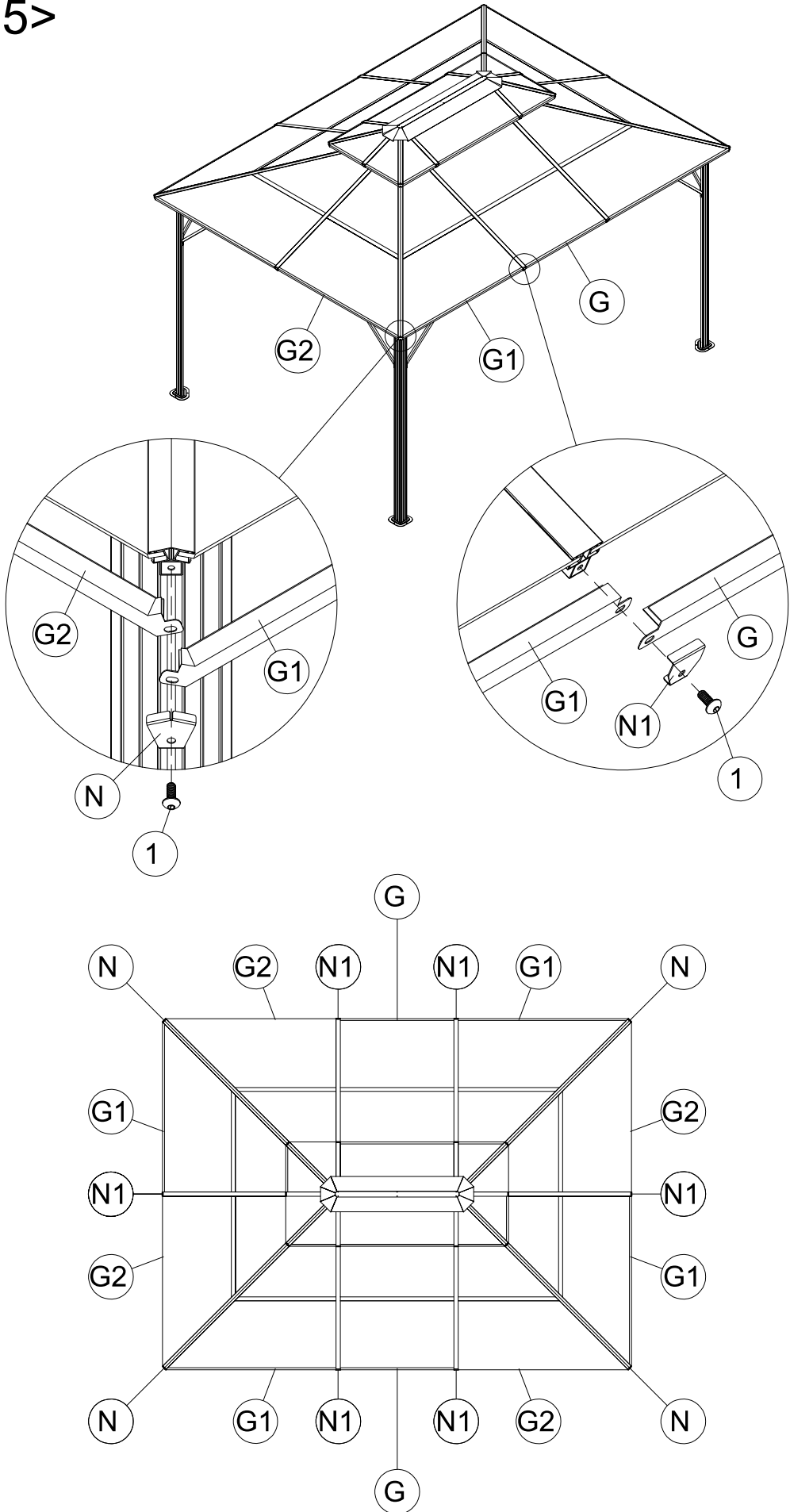


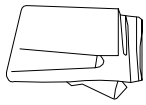
Q4 4x



<15>

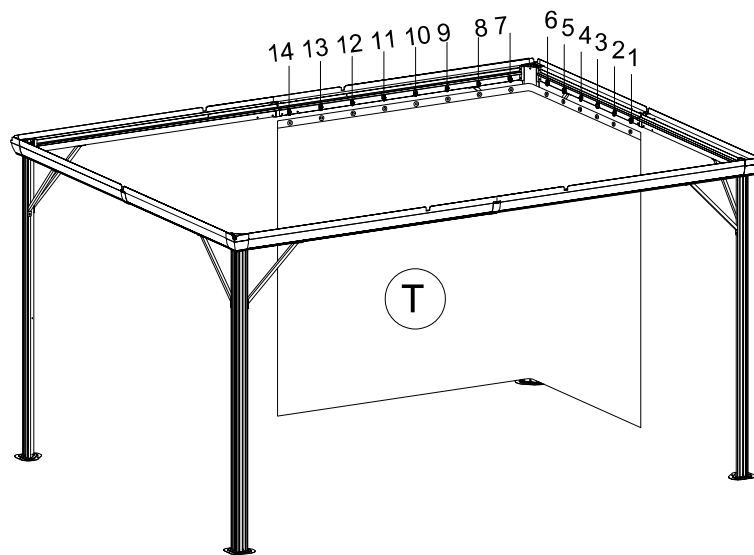
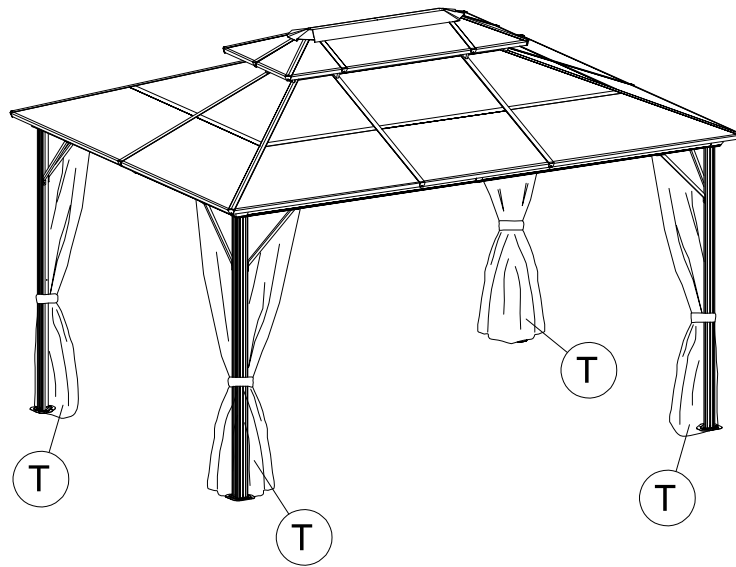
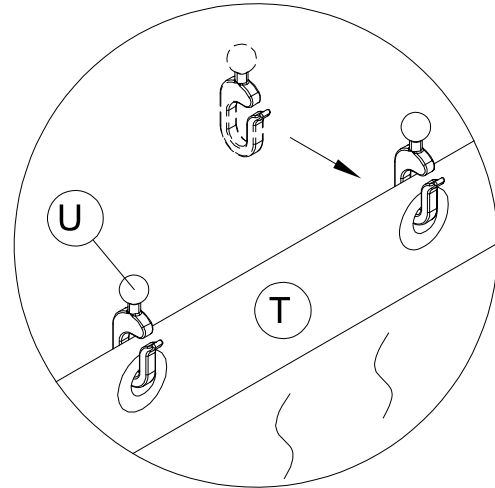
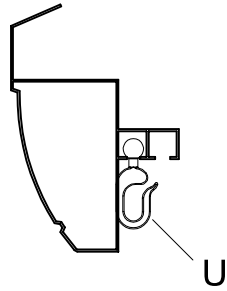
- 
- G** 2x
- 
- G1** 4x
- 
- G2** 4x
- 
- N** 4x
- 
- N1** 6x
- 
- 1** 10x M6x15

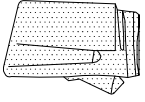




<16>

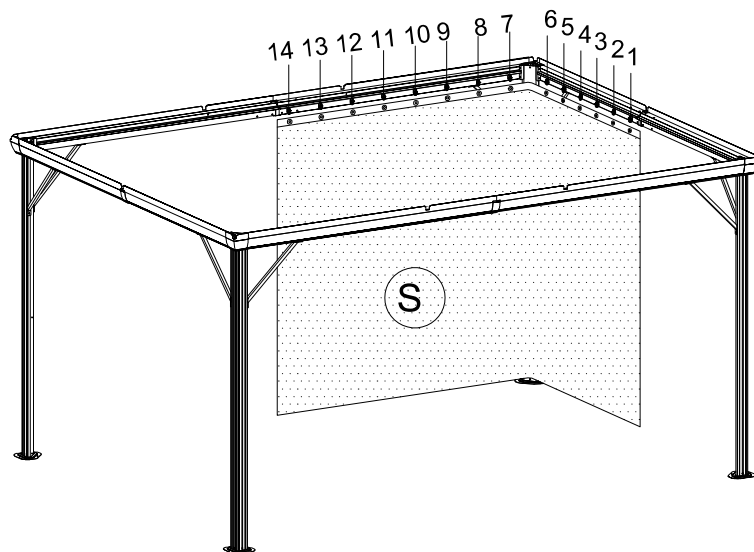
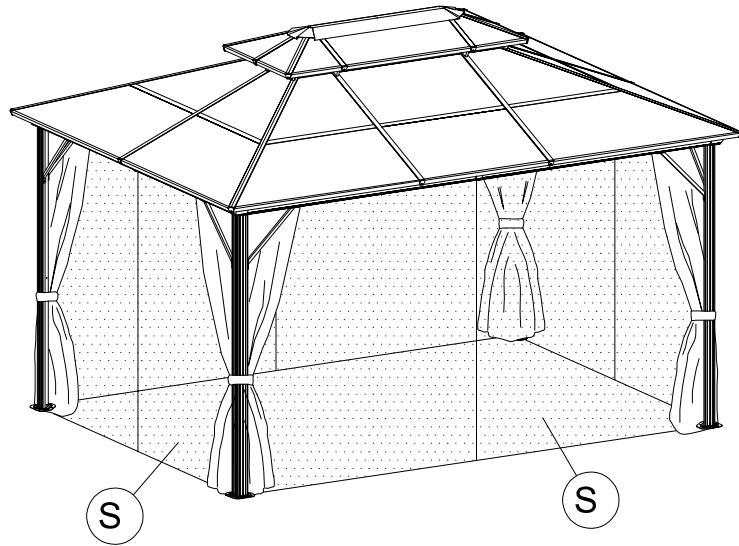
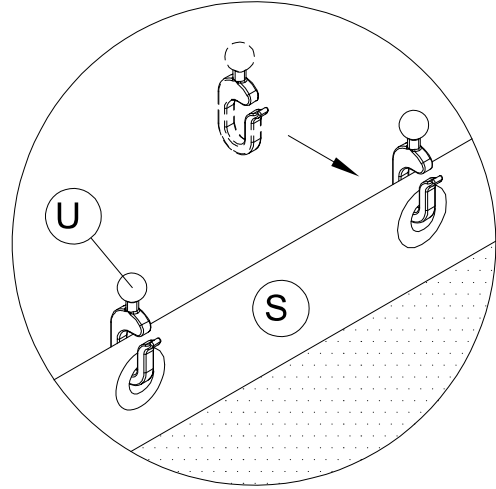
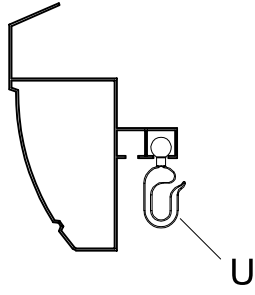
T 4x





<17>

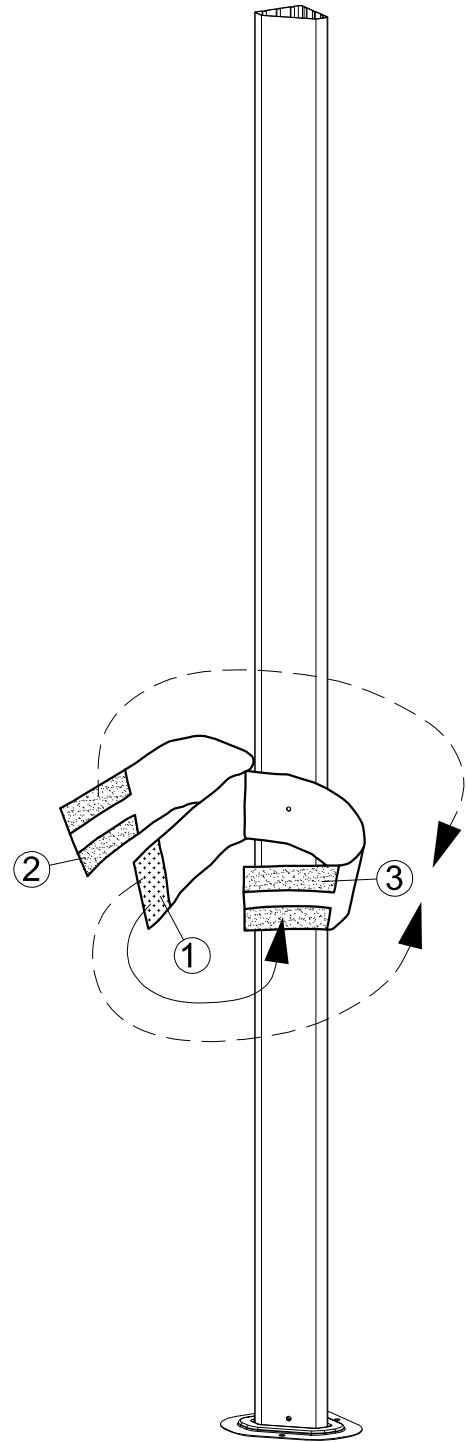
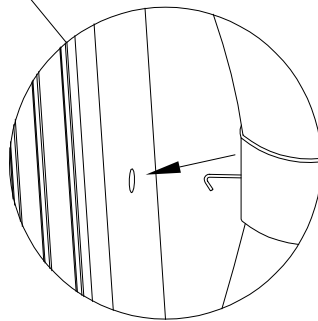
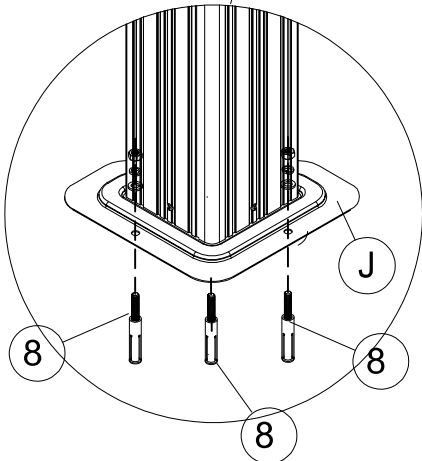
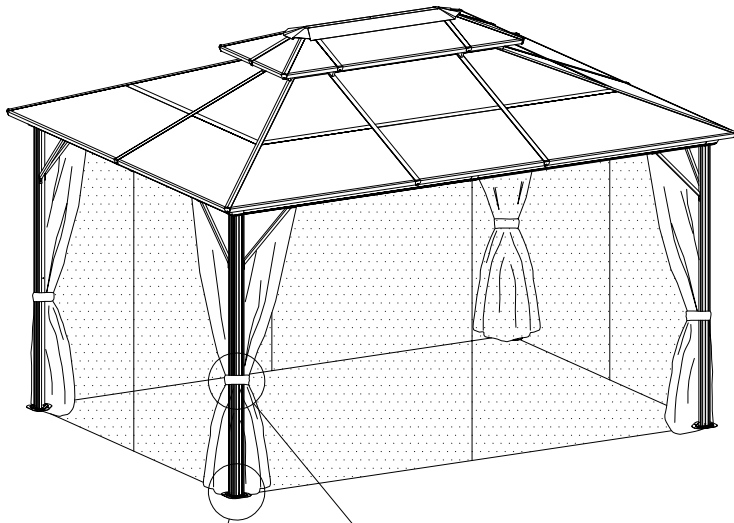
S 4x





<18>

8 12x



Note:

1. 1 stick 2 tie S and T together
2. 1 stick 3 towards back tie T
3. 1 stick 3 towards front tie S

Box A		Box A		Box B	
Part #	Qty	Part #	Qty	Part #	Qty
A	4	B1	2	Q	4
B	2	C	2	Q1	4
E	4	C1	2	Q2	4
F	2	D	4	Q3	4
F1	4	E	2	Q4	4
F2	4	H	4	R1	4
G	2	H1	4	R2	4
G1	4	K	4	R3	2
G2	4	N	12	T	4
G3	2	N1	6		
G4	2	P	4		
G5	2	S	4		
G6	2	U	112		
K1	4	J	4		
L	1				
M	1				
①	136				
②	16				
③	4				
④	16				
⑤	2				
⑥	1				
⑦	1				
⑧	12				
S4	1				
S6	1				