

see what Delta can doSM

SLIDE BAR/GRAB BAR HAND HELD SHOWER

- 9-Spray Setting Hand Shower
- Push Button Selection

FEATURES:

- Touch-Clean[®] Spray Holes
- ActivTouch[®]

STANDARD SPECIFICATIONS:

- Max flow rate 1.75 gpm @ 80 psi, 6.6 L/min @ 550 kPa
- 60"-82" (1524 mm - 2083 mm) Stretchable Metal hose
- Simple one-handed control
- Dual check valves for backflow prevention
- 3 buttons create 9 unique sprays
- Pause button operates from front or back
- Soft touch non-slip grip
- Traditional slide bar / grab bar
- Hand held shower with nine spray setting - pause is a non-positive shut-off
- ADA compliant adjustable mount, hand shower and hose
- ADA compliant grab bar when installed per accessibility guidelines of the act
- 9 Spray settings include: Full Body, Fast Massage, Full Spray with Massage, Shampoo Rinsing, Shampoo Rinsing with Massage, Soft Drench, Soft Drench with Massage, Soft Full and Pause

WARRANTY:

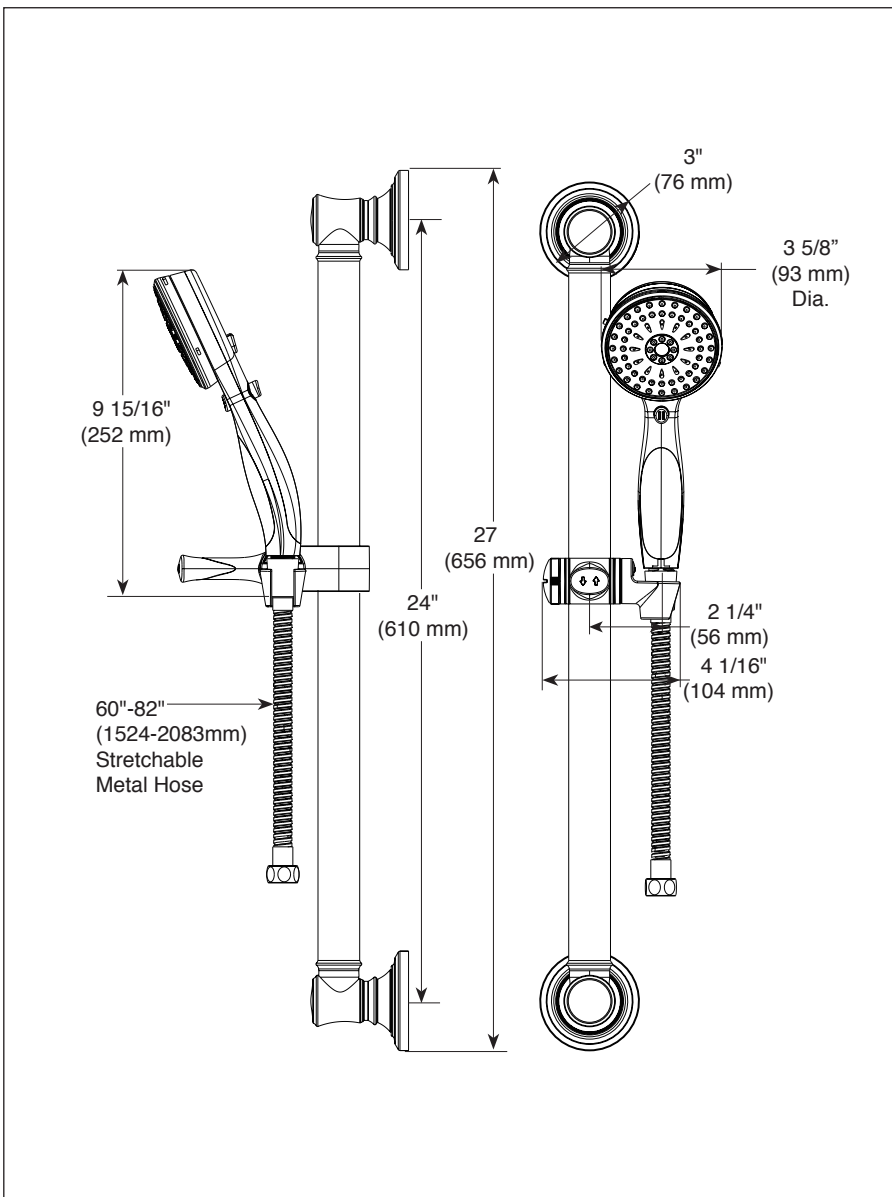
- Parts and Finish – Lifetime limited warranty; or for commercial purchasers, 10 years for multi-family residential (apartments and condominiums) and 5 years for all other commercial uses, in each case from the date the product is received by the original purchaser or their authorized representative (installation contractor, etc.).
- Please go to www.deltafaucet.com for the complete details of our limited warranty.



COMPLIES WITH:

- ASME A112.18.1 / CSA B125.1◆
- ASME A112.18.3
- EPA WaterSense[®]
- ♿ ICC/ANSI A117.1

- ◆ Your Delta hand shower incorporates a backflow protection system that has been tested to be in compliance with ASME A112.18.3 and ASME A112.18.1/CSA B125.1. It incorporates two certified check valves in series, which operate independently and are integral, non-serviceable parts of the wand assembly.



▲ Designate Proper Finish Suffix

Delta Faucet Company reserves the right (1) to make changes in specifications and materials, and (2) to change or discontinue models, both without notice or obligation. Dimensions are for reference only. See current full-line price book or www.deltafaucet.com for finish options and product availability.

DSP-B-51900 Rev. G

Delta Faucet Company

55 E. 111th Street, Carmel, IN 46280
350 South Edgeware Road, St. Thomas, ON N5P 4L1
© 2025 Delta Faucet Company