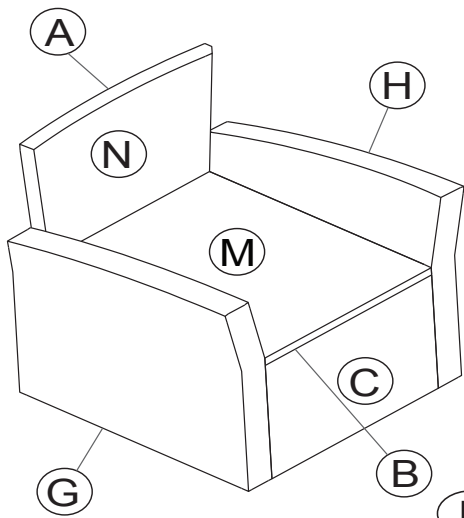
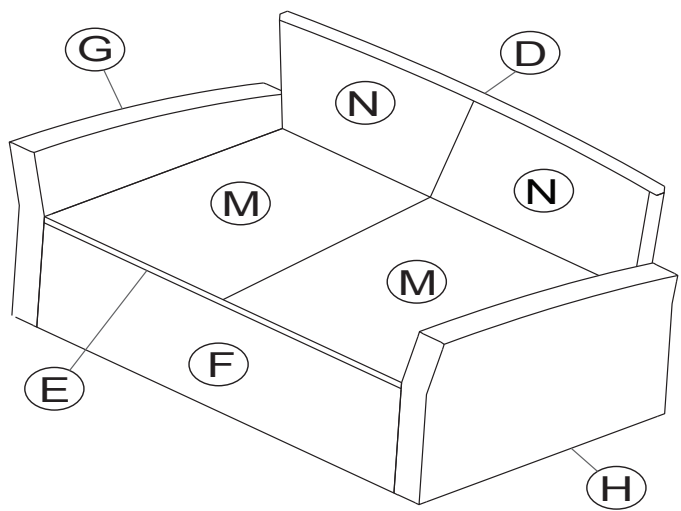
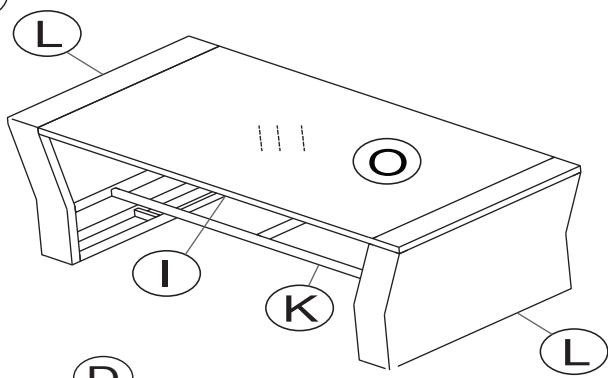



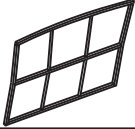

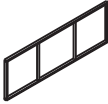





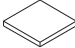













USER'S MANUAL
WICKER SOFA SET 4PCS



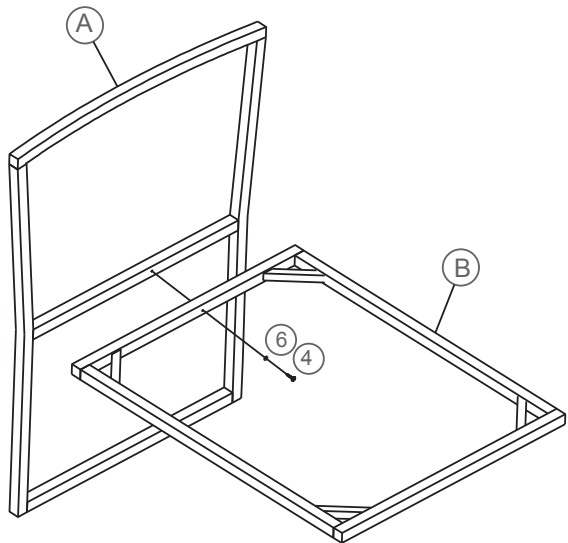
x2



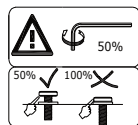
Part List					
A		2 pcs	B		2 pcs
C		2 pcs	D		1 pc
E		1 pc	F		1 pc
G		3 pcs	H		3 pcs
I		1 pc	K		1 pc
L		2 pcs	M		4 pcs
N		4 pcs	O		1 pc

Bolt and Accessories				
	Description	Hardware	Spec	Qty
1	Bolt		M6 x 80 mm	6 pcs
2	Bolt		M6 x 60 mm	12 pcs
3	Bolt		M6 x 45 mm	6 pcs
4	Bolt		M6 x 35 mm	28 pcs
5	Bolt		M6 x 30 mm	4 pcs
6	Washers		M6	80 pcs
7	Nut		M6	30 pcs
8	Wrench		M10	2 pcs
9	Allen key		M4	2 pcs

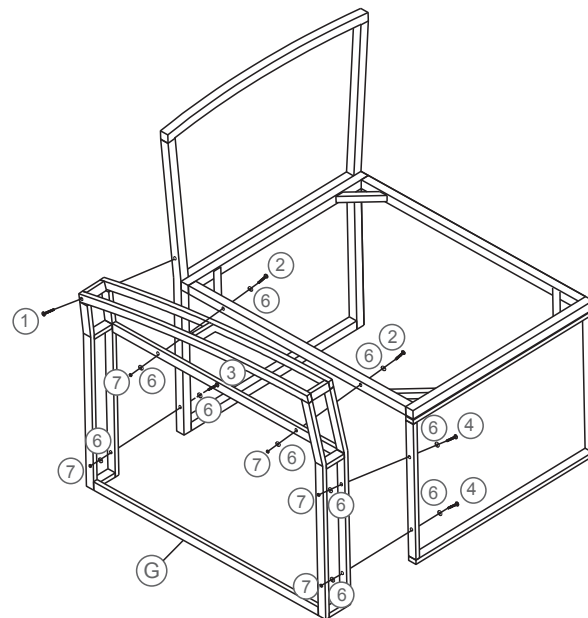
STEP 1



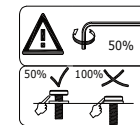
x2



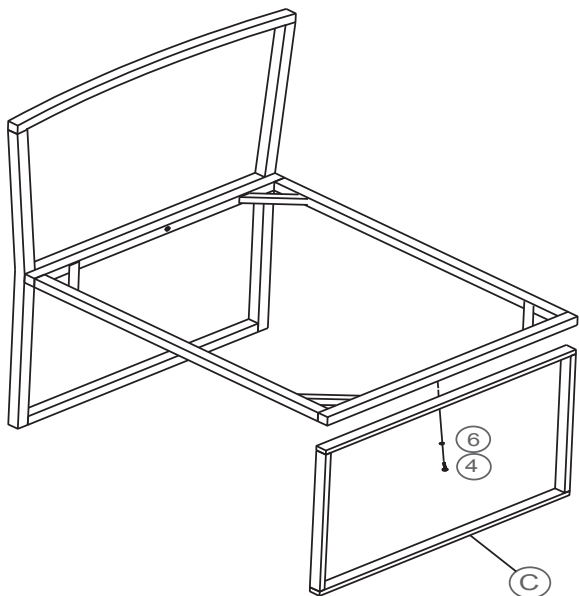
STEP 3



x2



STEP 2

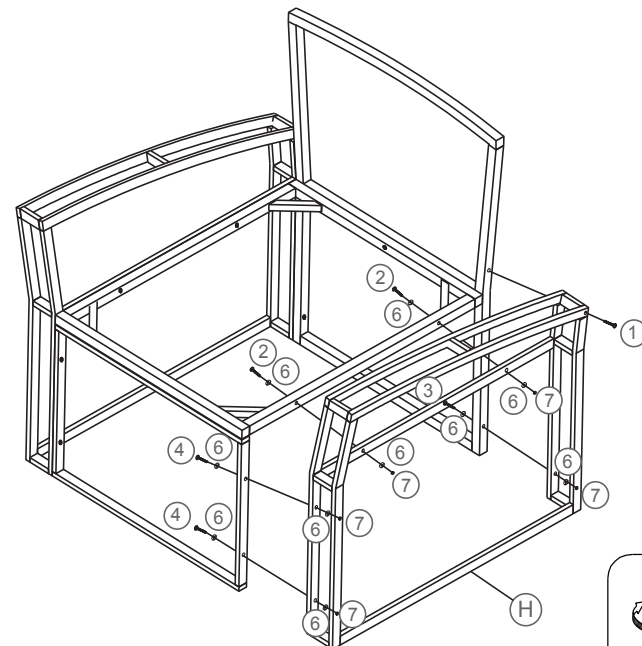


x2

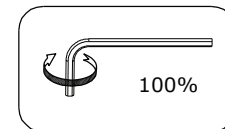


6

STEP 4

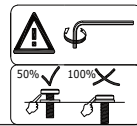
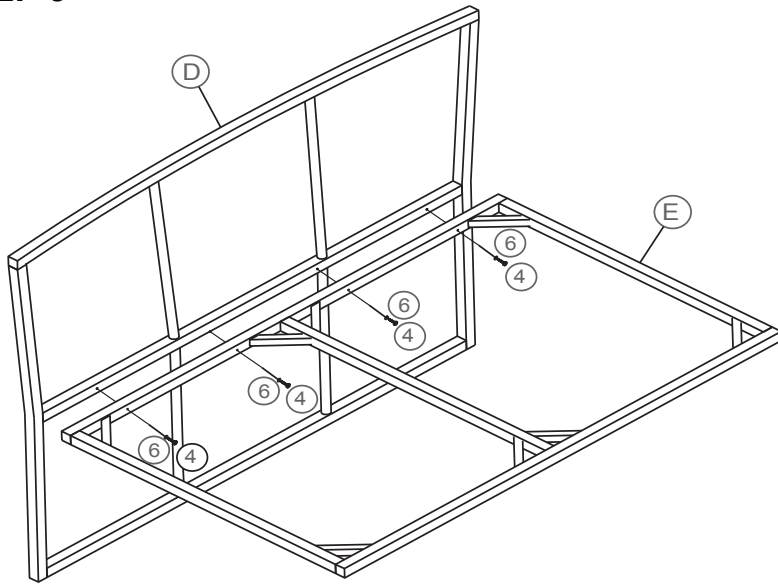


x2

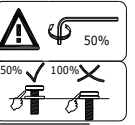
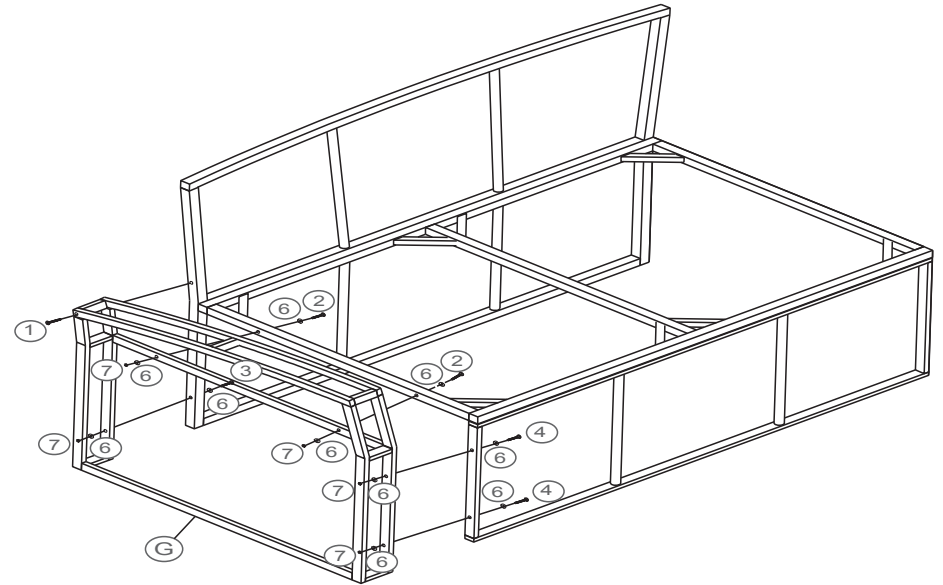


7

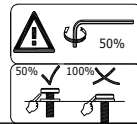
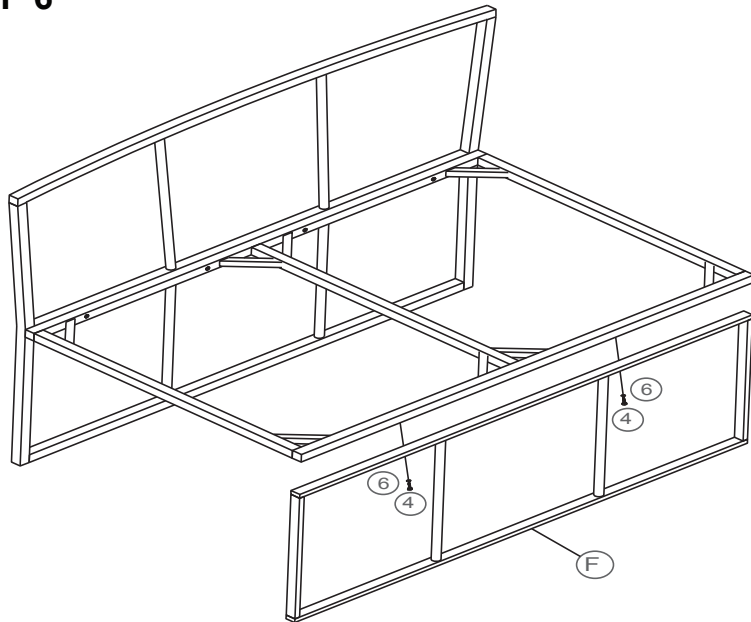
STEP 5



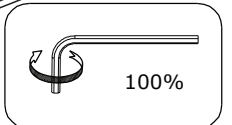
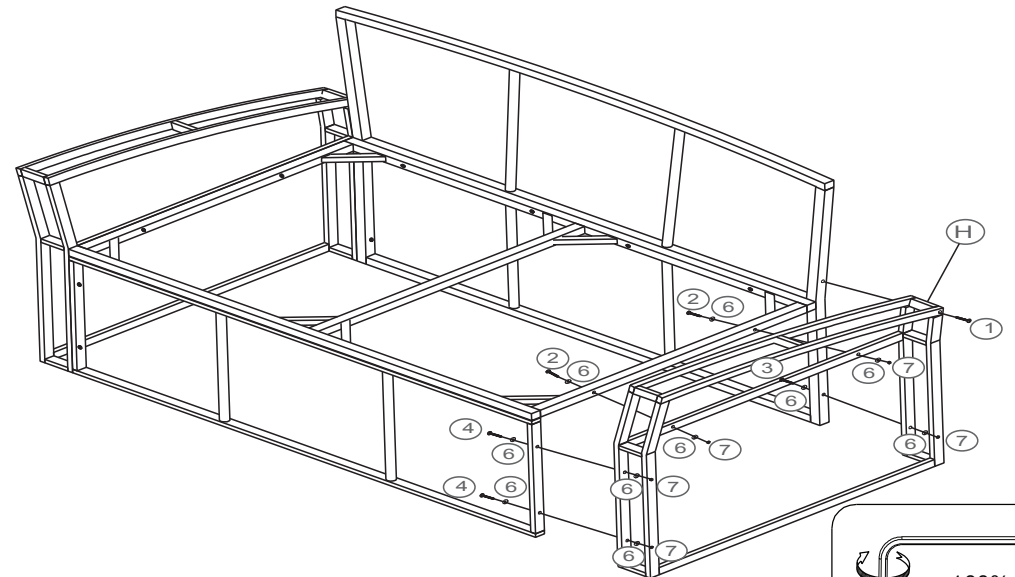
STEP 7



STEP 6



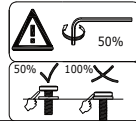
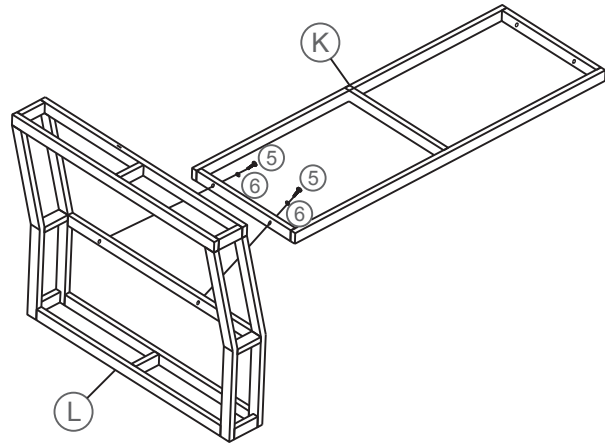
STEP 8



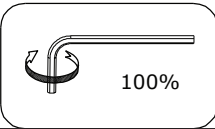
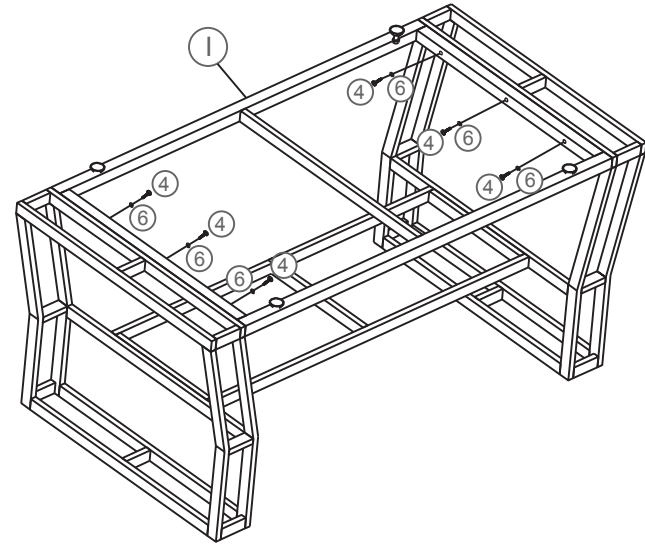
8

9

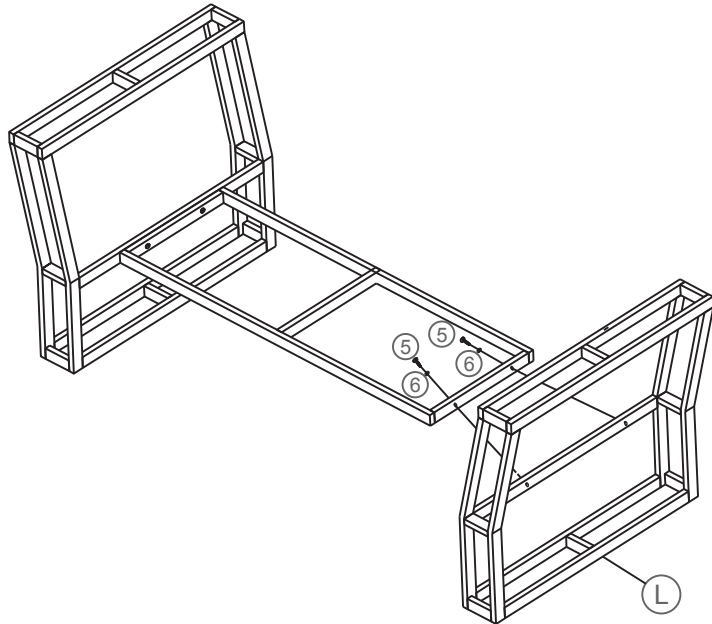
STEP 9



STEP 11



STEP 10



STEP 12

