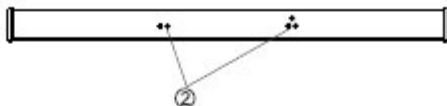


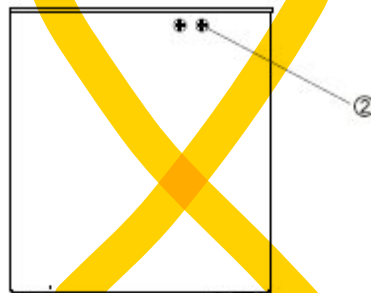
Installation

Installing the handle and safety lock

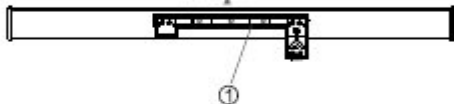
Step 1



Unscrew and remove the 7 screws, located by ② in the picture, on the chest and lid of the freezer. Take the handle base and lock ①, handle cover ③, and lock ring ④ out of the packaging.

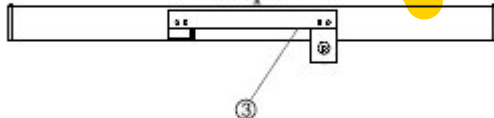


Step 2

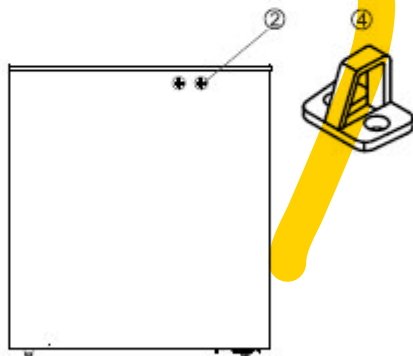


Attach the handle base ① onto the lid of the freezer by attaching 5 of the screws previously removed in step 1.

Step 3

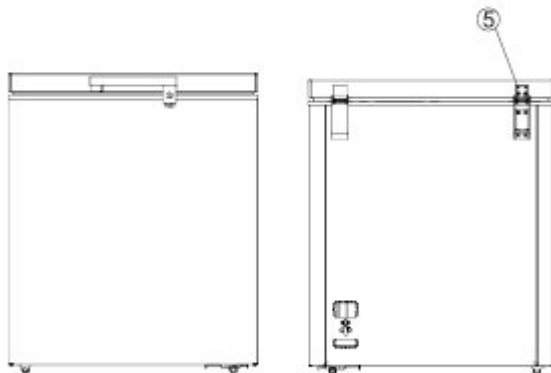


Attach the handle cover ③ onto the handle base ①.



Step 4

Attach the safety lock ④ onto the cabinet of the chest freezer by re-attaching the 2 screws previously removed in step 1.



Note:

If the safety lock fails to lock the freezer lid after handle installation, loosen the round headed screws ⑤ at the back of the freezer lid and gently adjust the position of the lid to fit so that the safety lock can latch. Tighten the screws at the back of the freezer lid. Ensure there is a good seal around the lid of the freezer as it sits on the cabinet.