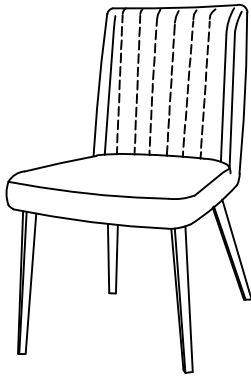


ASSEMBLY INSTRUCTIONS

DINING CHAIR



**+ Do Not Use
PowerTools**



**+ Suggested
Adults**



NOTE:

- 1 Read instructions cover to cover.
- 2 Save all packaging until assembly is completed.

1 IMPORTANT SAFETY INFORMATION

Do not assemble the product if any of the following parts arrived damaged:

Part ① Chair Seat

Part ② Lower Leg Frame

Part ③ Upper Leg Frame

Do not assemble if any of the following Hardware parts are missing:

Part A Bolt(1/4"*1-1/4")

Part B Flat Washer 1/4"

Part C Spring Washer 1/4"

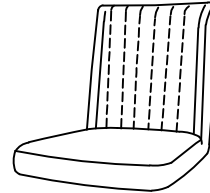
Part D Allen Key(4mm)

2 IMPORTANT ASSEMBLY INFORMATION

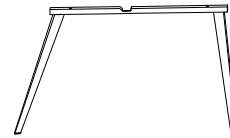
Assembly Step If loosening persists, Please make sure to tighten all the bolts periodically, or use a thread locker adhesive.

+ Parts Included

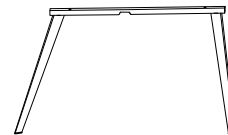
- ① Chair Seat
1PC



- ② Lower Leg Frame
1PC



- ③ Upper Leg Frame
1PC



+ Hardware Included

- A Bolt(1/4"*1-1/4") B Flat Washer 1/4"
5 PCS 5 PCS



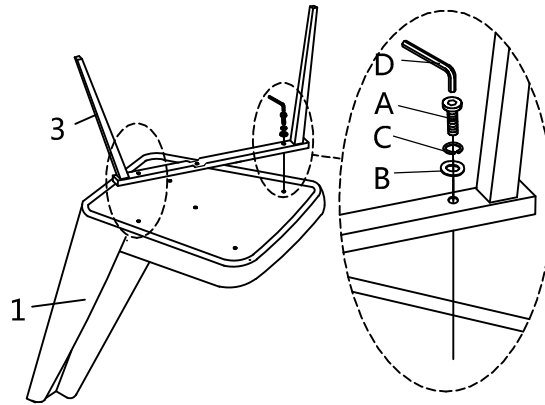
- C Spring Washer 1/4" D Allen Key(4mm)
5 PCS 1 PC



ASSEMBLY INSTRUCTIONS

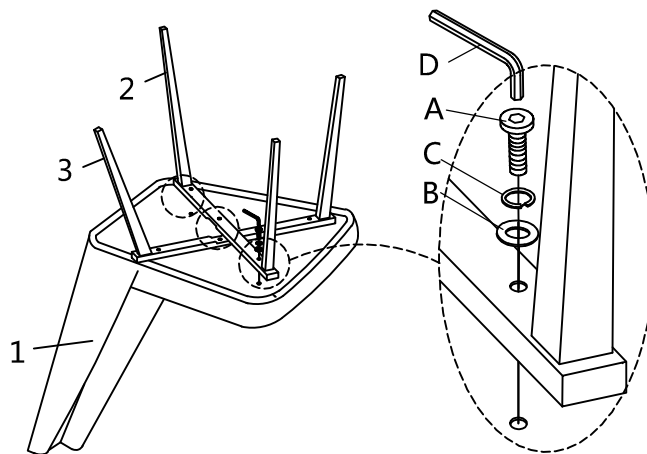
DINING CHAIR

①



Note: At this stage, do not fully tighten the bolts.

②



Note: At this stage, tighten all Bolts at all joints fully in a sequential manner.

③

