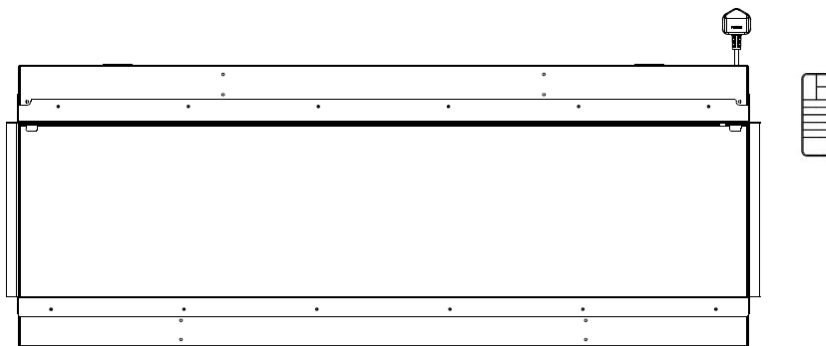
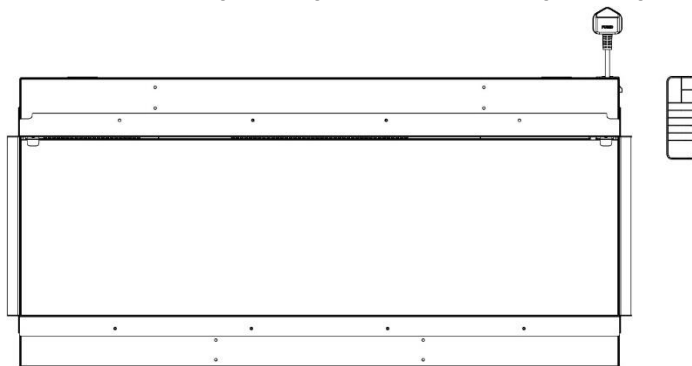


# bemodern

FIRES | FIREPLACES

## 3 Sided Electric Fire 1000 - 3SL (3083) – 1250-3SL (4165)



**Prior to installing this product locate the data label and note the model and serial number.**

**Model:** \_\_\_\_\_

**Serial Number:** \_\_\_\_\_

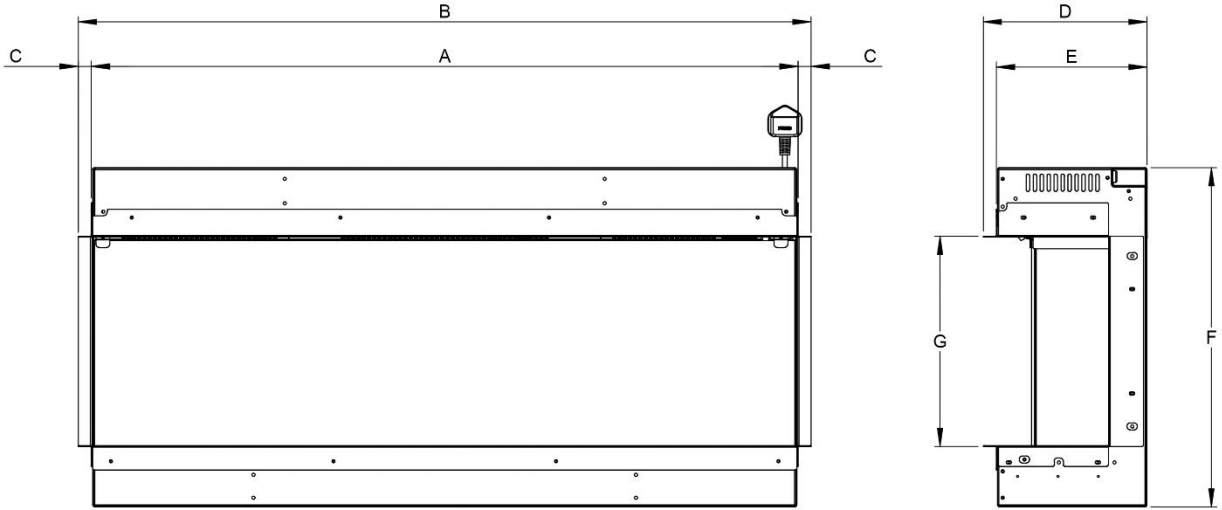
**Instructions For Installation & Operation**

## Contents

---

	<b>Page</b>
Technical Specification	3
Manual Handling	4
Contents of the Box(es)	5
Unpacking the Fire	6 - 7
Preparing the Fire	8 - 9
Installation – Stud wall	10 - 11
Installing the Fire	12
Fuel Bed Layout	13
Log Positioning	13
Replacing the Glass	14
Troubleshooting	15

## Technical Specification



### Detailed: 3 Sided Fire Set Up

Fire	Logs	Dimensions (mm)						
		A	B	C	D	E	F	G
1000-3SL (3083)	5 SML + 2 LRG	1016	1054	19	236	217	488	302
1250-3SL (4165)	10 SML + 2 LRG	1266	1304	19	236	217	488	302

### Tolerance +/- 2mm

Fire	Visible Glass Area (mm)			Boxed Weight (Kg)
	W	H	D 2/3 Sided	
1000-3SL (3083)	1008	296	111	36.1Kg
1250-3SL (4165)	1258	296	111	45.2Kg

**Note:** The above image and dimensions detail the fire set up for a **3 sided** installation- adjust the dimensions accordingly for **2 sided (B-19mm)** and **1 sided (B-38mm)** installation.

## Manual Handling

---

**BEFORE STARTING THE INSTALLATION OF THIS FIRE, PLEASE READ THE FOLLOWING:**

**CAUTION:** This appliance is heavy. Always seek assistance whilst unpacking and / or during installation.

The installation should be carried out by **two adults** to avoid injury or damage. If for any reason it is considered too heavy, please obtain assistance.

When lifting the electric appliance, always keep your back straight. Bend your legs and not your back. Avoid twisting at the waist. It is better to reposition your feet.

Avoid upper body / top heavy bending. Always bend from the knees rather than the waist. Do not lean forward or sideways while handling the fire.

Always grip the fire with the palm of the hand – do not use the tips of fingers for support.

Always keep the fire as close to the body as possible. This will minimize the cantilever action.

Use gloves to provide additional grip.

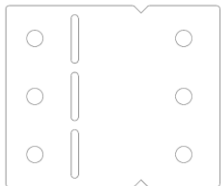
## Contents of the box(es)

### 1000-3SL (3083)

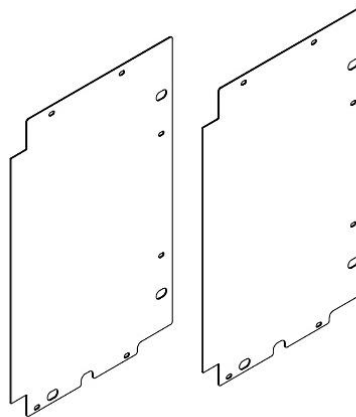
Quantity	Description	Quantity	Description
1	<b>1000-3SL (3083)- Electric Fire</b>	1	Foam Strip- <b>(Bagged Separately)</b>
7	5 x Small Logs & 2 x Large Logs <b>(Boxed Inside Fire)</b>	1	Fire Operating Instruction- <b>(Bagged Separately)</b>
1	Bags of Crystals <b>(Boxed Inside Fire)</b>	1	Wall Hanging Bracket- <b>(Supplied fixed to the fire Rear)</b>
1	Bags of Pebbles <b>(Boxed Inside Fire)</b>	2	Side Panels <b>(Boxed Separately at the rear of the fire)- (For 1 Sided Installation)</b>
1	Fire Remote Control & 2 x AAA Batteries <b>(Bagged Separately)</b>	4	Fixing Brackets <b>(Boxed Separately at the rear of the fire)- (For 1, 2 &amp; 3 Sided Installation)</b>

### 1250-3SL (4165)

Quantity	Description	Quantity	Description
1	<b>1250-3SL (4165)- Electric Fire</b>	1	Foam Strip- <b>(Bagged Separately)</b>
10	8 x Small Logs & 2 x Large Logs <b>(Boxed Inside Fire)</b>	1	Fire Operating Instruction- <b>(Bagged Separately)</b>
1	Bags of Crystals <b>(Boxed Inside Fire)</b>	1	Wall Hanging Bracket- <b>(Supplied fixed to the fire Rear)</b>
1	Bags of Pebbles <b>(Boxed Inside Fire)</b>	2	Side Panels <b>(Boxed Separately at the rear of the fire) - For 1 Sided Installation.</b>
1	Fire Remote Control & 2 x AAA Batteries <b>(Bagged Separately)</b>	4	Fixing Brackets <b>(Boxed Separately at the rear of the fire) - For 1, 2 &amp; 3 Sided Installation.</b>



**Note: Discard the 2x Metal Brackets (left) - Not required for this Installation.**



**2 X Side Panels (For 1 Sided Installation, boxed separately at the rear of the fire).**



**4 X Fixing Brackets (For 1, 2 & 3 Sided Installation, boxed separately at the rear of the fire).**

Please ensure all fixings are present before commencing installation. If anything is missing please call Customer Services on 01914300901 or email us at [customerservices@bemodern.co.uk](mailto:customerservices@bemodern.co.uk)

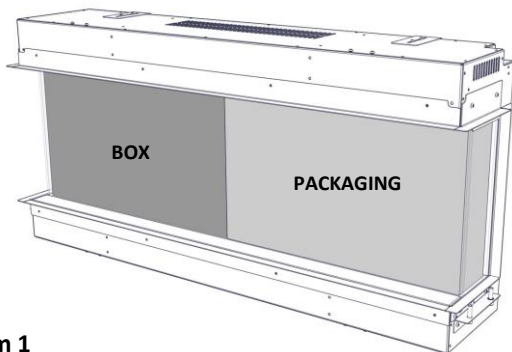
## Unpacking The Fire

**Note: The fire is a two adult person lift. A second person will be required to lift and support the fire during installation.**

Before the fire can be installed, consideration will need to be given to routing the power supply to the fire. This will affect the stages of the installation process. We advise a qualified electrician conduct any electrical parts of the installation.

**Note: An accessible single socket is required for the operation of the fire.**

Unpack your new fire- **DO NOT** dispose of the packaging until you have checked and made sure all the parts and fixings listed on **Page 7** are present. **Note: The Side Panels and Fixing Brackets are boxed separately at the rear.**

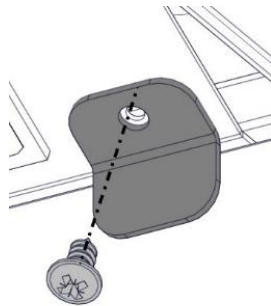


**Diagram 1**

Once the fire is unpacked the **1 X Cardboard Box** and packaging inside the fire needs to be removed and the contents checked, as listed on **Page 7**.

See **Diagram 1**.

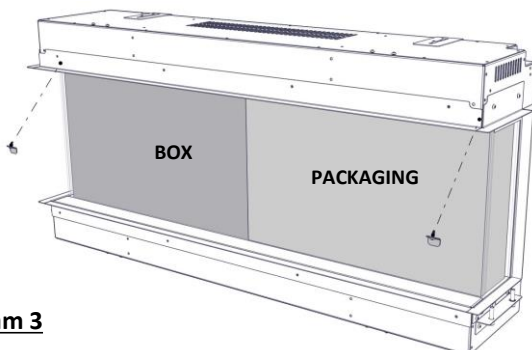
**Note: The fire is a two adult person lift.**



**Diagram 2**

To do this, unscrew the **2 X Screws** holding the **Glass Brackets** in place.

See **Diagram 2**.



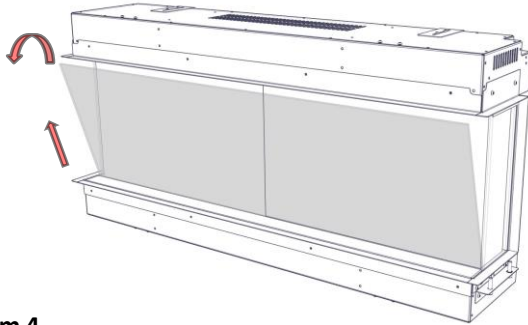
**Diagram 3**

There is **1 X Screw** and **1 X Bracket** either side of the fire.

See **Diagram 3**.

Please ensure all fixings are present before commencing installation. If anything is missing please call Customer Services on 01914300901 or email us at [customerservices@bemodern.co.uk](mailto:customerservices@bemodern.co.uk)

## Unpacking The Fire *Continued*.....

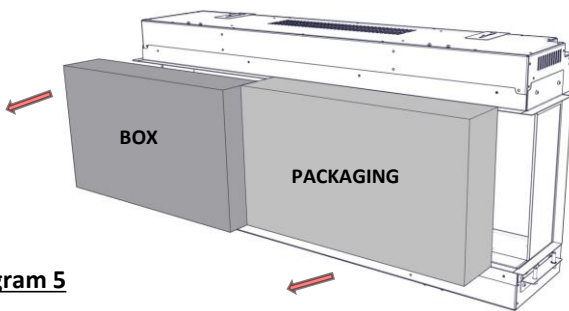


**Diagram 4**

Once the screws are removed - the **Glass** can be angled forward from the top of the fire and lifted out of the channel at the base of the glass.

**Note:** Place the Glass, 2 x Glass Brackets and 2 x Screws in a safe place- these will be required later.

See Diagram 4.

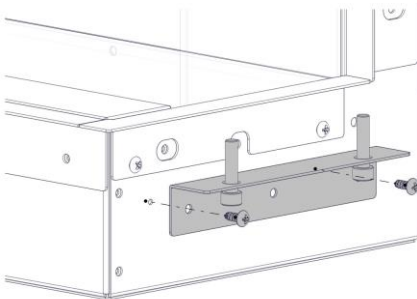


**Diagram 5**

Remove the **1 x Cardboard Box** and packaging from inside the fire and depending on the model purchased, check the contents as listed on **Page 7**.

**Note:** Discard all other packaging.

See Diagram 5.

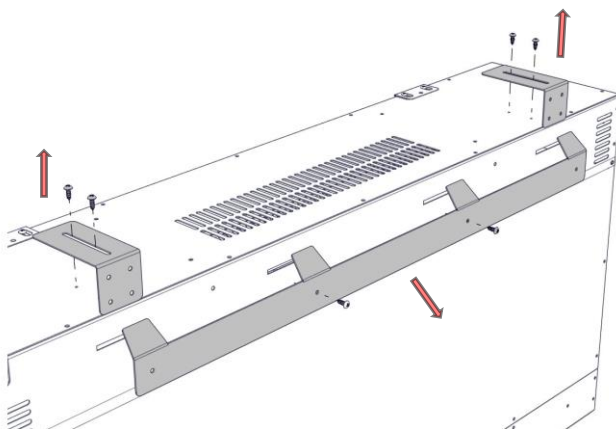


**Diagram 6**

Next remove the **1 x Clamping Bracket** and **2 x Screws** from **either** side of the fire and **discard**.

See Diagram 6.

**Note:** There is 1 x Clamping Bracket either side of the fire.



**Diagram 7**

For installation into a **floor to ceiling stud wall**, the **Rear Mounting Bracket** must be first removed from the fire.

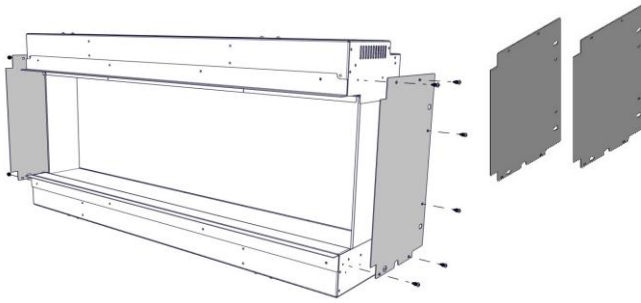
Remove the **2 x L- Brackets** and **4 x Screws** holding the **L-Brackets** on the top of the fire in place and **discard**.

Once the **L- Brackets** are removed- remove the **2 x Screws** holding the **Rear Mount Bracket** in place and also **discard**.

See Diagram 7.

**Note:** For other methods of installation, the Rear Fixing Bracket maybe required to fix the fire to the wall. Please ensure that suitable fixings are used dependent on the wall medium.

## Preparing the Fire



**Diagram 8**

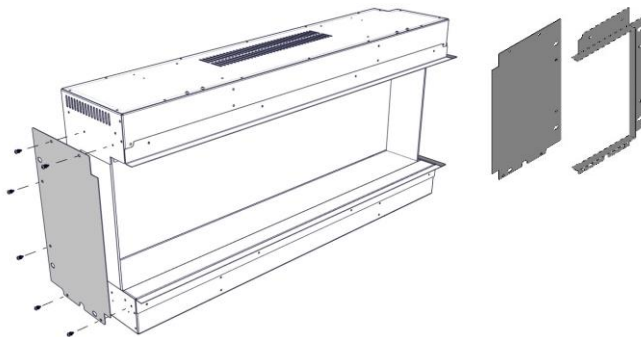
### **1 Sided (Fully Recessed) Installation**

The fire comes out the box, set up for a **3 sided** installation. See **Diagram 11**

For a **1 Sided Installation**. Remove the **6 x Screws** and **2 x Small Side Brackets** and **1 x Large Side Bracket** from **either** side of the fire.

Locate the **2 x Side Panels** and using the previously removed **12 x Screws** fix the **2 x Side Panels** in place.

See **Diagram 8**



**Diagram 9**

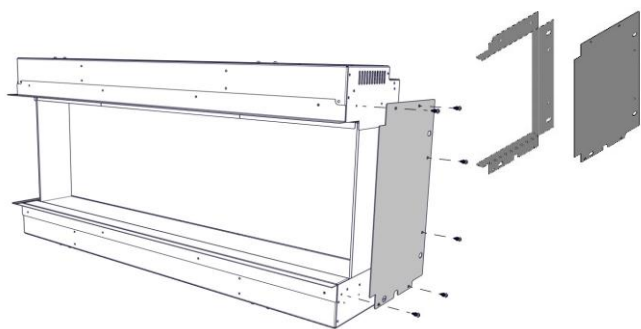
### **2 Sided Installation- Right Hand**

Leaving the **2 x Small Side Brackets** and **1 x Large Side Bracket** on the **right** hand side of the fire **fixed**.

Remove the **6 x Screws** and the **2 x Small Side Brackets** and **1 x Large Side Bracket** from the **left** hand side of the fire.

Locate **1 x Side Panel** and fix in place on the **left** hand side of the fire using the previously removed **6 x Screws**.

See **Diagram 9**



**Diagram 10**

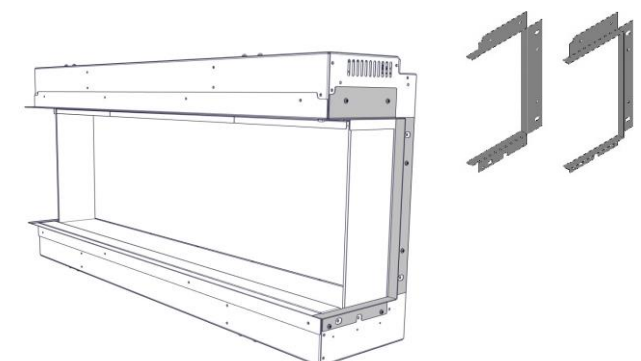
### **2 Sided Installation- Left Hand**

Leaving the **2 x Small Side Brackets** and **1 x Large Side Bracket** on the **left** hand side of the fire **fixed**.

Remove the **6 x Screws** and the **2 x Small Side Brackets** and **1 x Large Side Bracket** from the **right** hand side of the fire.

Locate **1 x Side Panel** and fix in place on the **right** hand side of the fire, using the previously removed **6 x Screws**.

See **Diagram 10**



**Diagram 11**

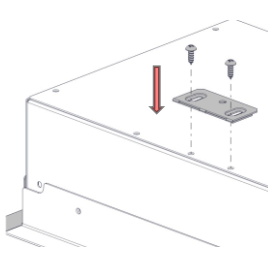
### **3 Sided Installation**

The fire comes out the box, already set up for a **3 sided** installation.

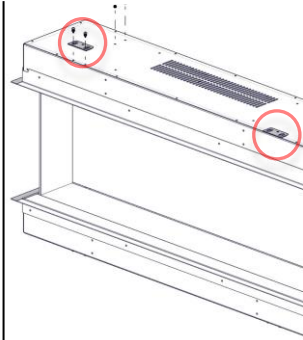
The **2 x Small Side Brackets** and **1 x Large Side Bracket** either side of the fire are attached.

See **Diagram 11**

## Preparing The Fire *Continued*....



**Diagram 15**

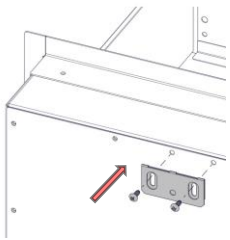


Next locate and fit the **2 x Fixing Brackets** to the top of the fire.

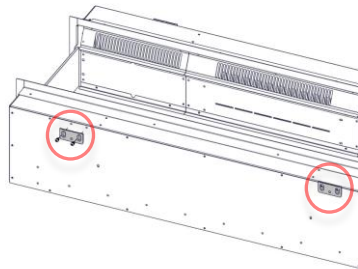
Remove the **4 x Screws** in the top of the fire and fit the brackets in the required positions.

**Note:** Leave the brackets folded down and the screws backed off slightly until the fire is lifted into the stud wall.

**See Diagram 15**



**Diagram 16**



With the fire on its back locate and fit another **2 x Fixing Brackets** to the bottom of the fire.

Remove the **4 x Screws** in the bottom of the fire and fit the brackets in the required positions.

**Note:** Leave the brackets folded down and the screws backed off slightly until the fire is lifted into the stud wall

**See Diagram 16**

## Installation- Stud wall

Once the fire has been prepared, use the following opening dimensions to construct the stud wall which the fire will be housed in. It is essential to include a header at the required height to ensure the appliance does not support the weight of the finished wall- **See Diagrams 12, 13 and 14.** The base of the opening / stud work must also be able to take the full weight of the fire.

The fire should be positioned on a firm level surface and in a clean 'dust free' environment. If the product is to be installed into an open chimney or flue, it is important that the chimney / flue is blocked off to prevent any up / down draughts and falling debris which could restrict and alter the airflow of the product.

**Note: Any protruding headers MUST be made of a non-combustible material.**

To install into a stud wall the mounting bracket must be removed from the rear of the fire as previously shown in **Diagram 7, Page 9.**

**Note: Before proceeding further ensure there is power to the fire before any cladding / plasterboard is installed.**

The product should never be sealed into an opening with the use of silicones or adhesives as this can also alter the airflow and hinder any future servicing of the product.

Ensure the design of the stud wall allows for the plug or fuse spur to be easily accessible.

**Note: The following diagrams are examples of how the stud wall could be constructed and finished with 12.5mm plasterboard. Please adjust to your bespoke design, ensuring the 'required opening sizes' detailed in the following tables are adhered to. This will ensure the minimum clearances are maintained during installation.**

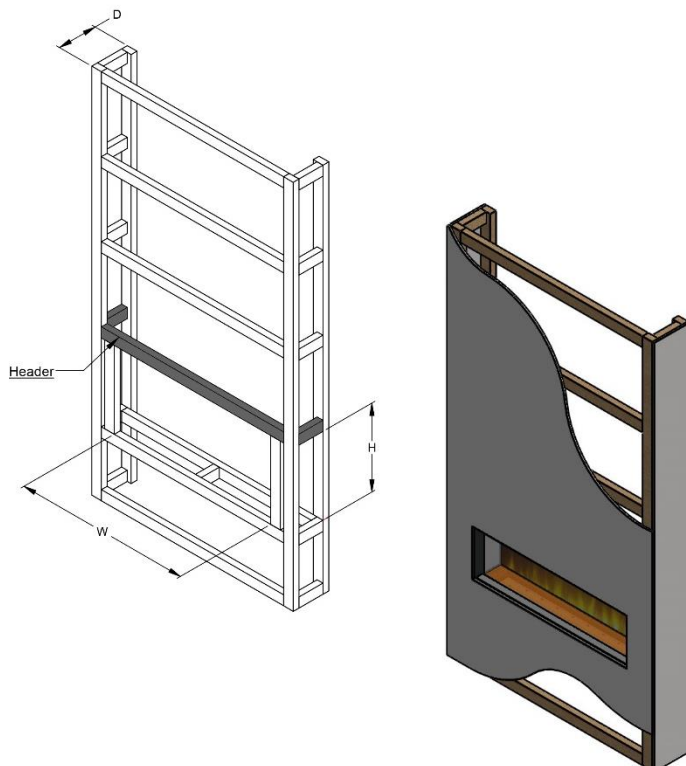
### 1 Sided (Fully Recessed) Installation

#### REQUIRED OPENING DIMENSIONS (mm)

FIRE	W	H	D
1000 3SL	1025**	505	235
1250 3SL	1275**	505	235

**Note: \*\* Where possible we recommend the stud wall is built around the fire to allow for any manufacturing tolerances. See P3.**

**Note: Ensure there is a minimum 10mm clearance between the fire and the wall behind.**



**Diagram 12**

## Installation- Stud wall *continued....*

### 2 Sided Installation (Righthand Shown)

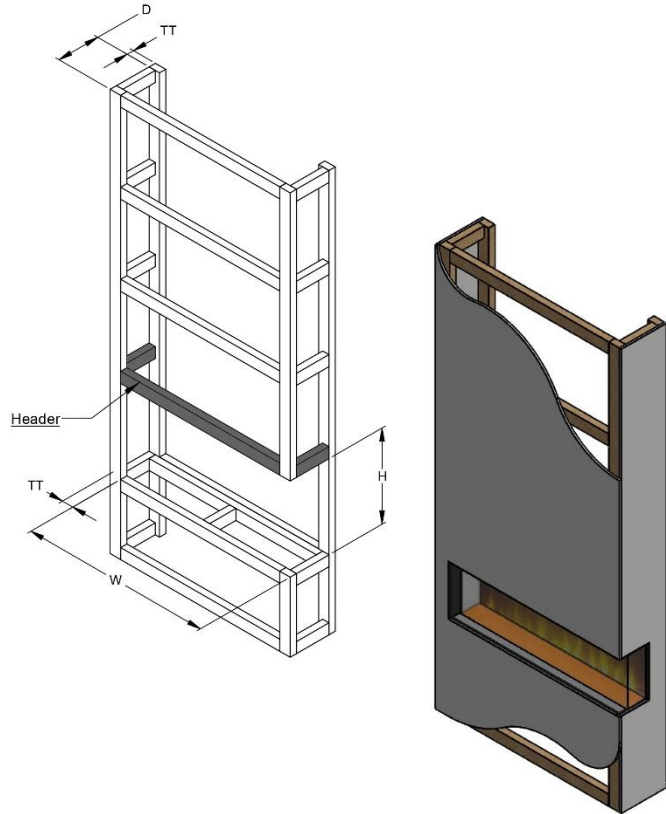
#### REQUIRED OPENING DIMENSIONS (mm)

FIRE	W	H	D
1000 3SL	1025**	505	235*
1250 3SL	1275**	505	235*

\* + TT- Timber Thickness

Note: \*\* Where possible we recommend the stud wall is built around the fire to allow for any manufacturing tolerances. See P3.

Note: Ensure there is a minimum 10mm clearance between the fire and the wall behind.



**Diagram 13**

### 3 Sided Installation

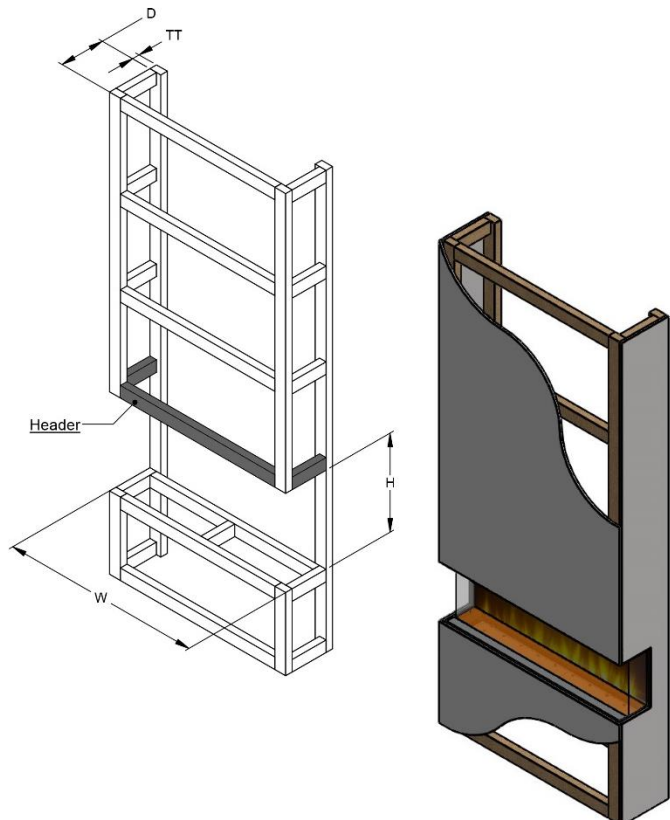
#### REQUIRED OPENING DIMENSIONS (mm)

FIRE	W	H	D
1000 3SL	1025**	505	235*
1250 3SL	1275**	505	235*

\* + TT- Timber Thickness

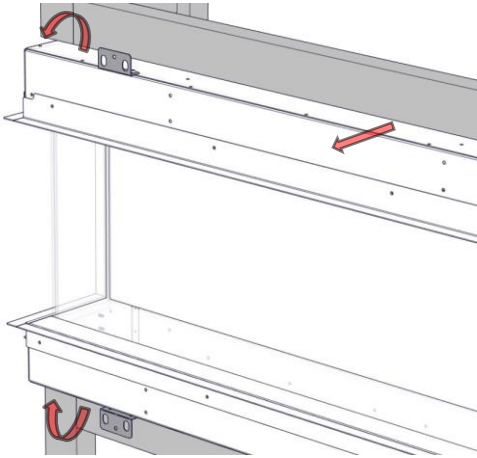
Note: \*\* Where possible we recommend the stud wall is built around the fire to allow for any manufacturing tolerances. See P3.

Note: Ensure there is a minimum 10mm clearance between the fire and the wall behind.



**Diagram 14**

## Installing The Fire



**Diagram 18**

**Note:** The fire is a two adult person lift

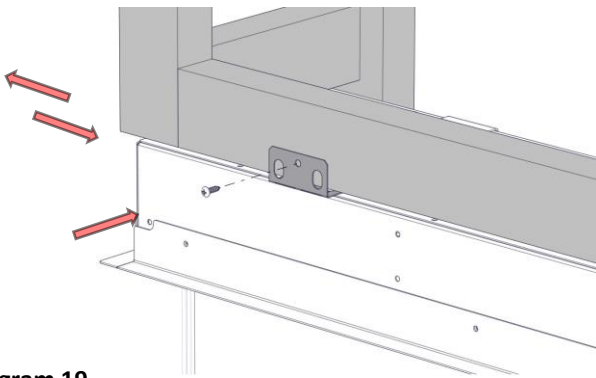
Lift the fire into the stud wall opening- leaving approx. **50mm** of the fire protruding to the front.

Unfolded the **fixing brackets** at the top and bottom of the fire.

The brackets are on a slot so they can be adjusted backwards and forwards to suit the stud wall face finishing material.

Once the position has been decided tighten all the screws to secure the brackets in place.

See **Diagram 18**



**Diagram 19**

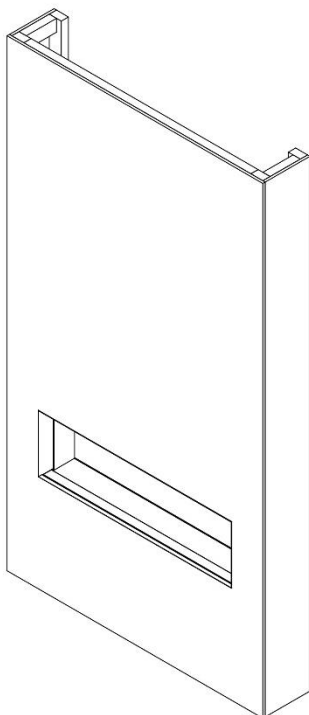
Once the brackets are secured in place push the fire into position, ensuring the rear face of the brackets is flush with the face of the stud wall.

Position the fire in the opening to suit the cladding / plastered board being used.

Once in position screw through the holes in the **fixing brackets** securing the fire to the stud wall.

**Note:** These screws are **not** provided.

See **Diagram 19**



**Diagram 20**

**Note:** Before proceeding further ensure there is power to the fire and it is operating correctly.

**Note:** Ensure the plug / fuse spur can be fully accessible once the cladding / plasterboard is installed.

Once the above has been checked, clad / plasterboard, skim and finish the stud wall, as desired.

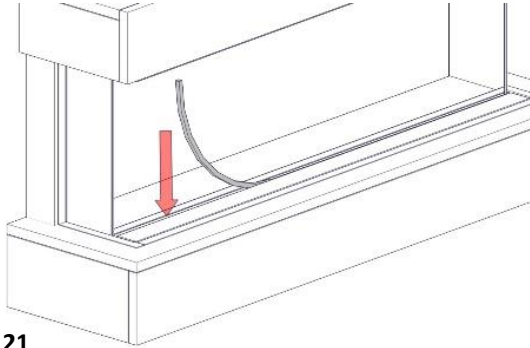
See **Diagram 20**

**Tip:** If using plasterboard position the sealed edge of the plasterboard against the fire brackets protruding from the fire. This will help maintain a clean / sharp edge.

The fuel bed can now be dressed and the logs positioned.

See **Diagram 21- 25- Page 15**

## Fuel Bed Layout & Log Positioning

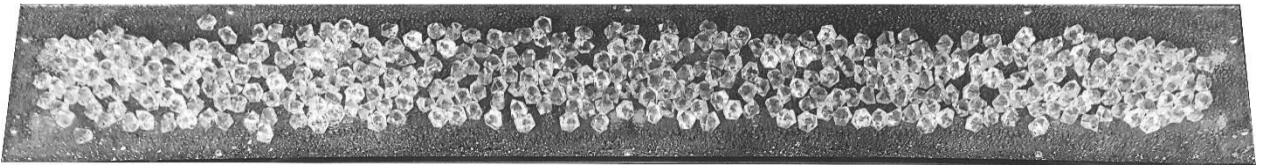


**Tip:** Before dressing the fuel bed. Position the foam strip (supplied) in the channel in the base of the fire, this will help to stop the smaller fuel bed material falling into the channel during installation. See Diagram 21.

The dressing of the fuel bed can be **fully tailored** to the customers **individual tastes**. A sufficient amount of each fuel bed finishing material has been provided to cover the fuel bed in a **single type** of material.

**Diagram 21**

**Fuel Bed Dressing-** As a starting point follow the example below:



**Diagram 22 -** Place a large amount of **crystals** in the centre of the fuel bed- leaving a gap around the edges.

**Tip:** The crystals pick up light from the under bed lights to give you a realistic glowing ember effect, so we recommend using a generous amount.



**Diagram 23-** Fill the space around the edges of the crystals with the **pebbles**, as well as randomly in between the crystals.

**Positioning the logs-** As a starting point follow the example below:



**Diagram 24 -** Above shows an example of the **7 x** log set up for the **1000 3SL Fire** .



**Diagram 25 -** Above shows an example of the **10 x** log set up for the **1250 3SL Fire** .

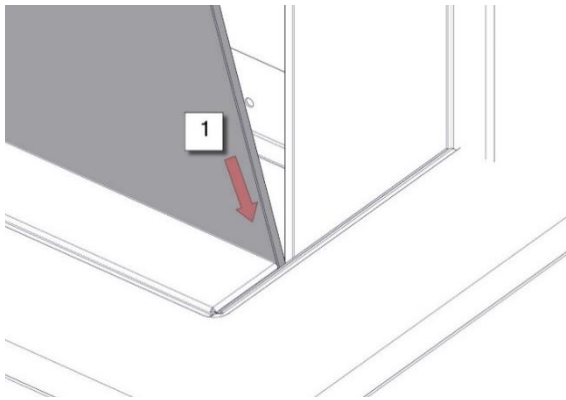
## Replacing the Glass

Finally the **Glass** and **2 x Glass Brackets** can be refitted, using the previously removed **2 x Screws**.

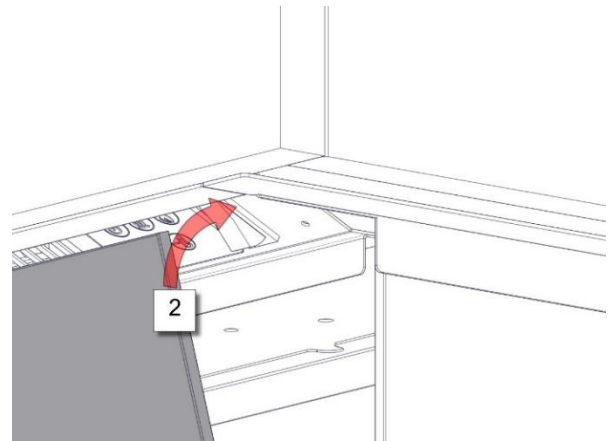
**Note:** Before proceeding further remove the foam strip and check the channel in the base of the fire is free of any fuel bed material.

**Tip:** Ensure the rear of the front and side glass is clean before fixing in place.

With the rear of the **Glass** clean and angled forward slightly position the **Glass** in the channel in the base of the fire **(1)**, and carefully push back into position. **(2)** See **Diagrams 26 & 27**.

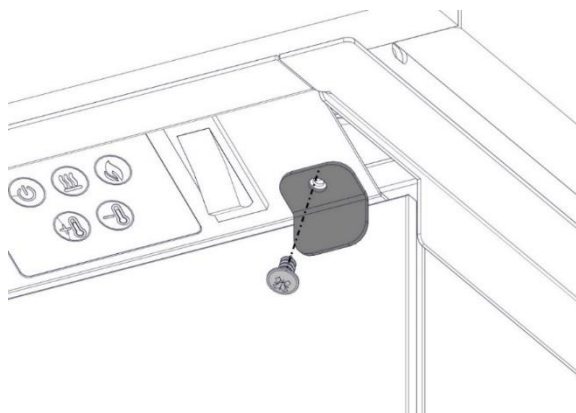


**Diagram 26**



**Diagram 27**

Once in the correct position secure with the previously removed **2 X Screws** and **2 X Glass Brackets**. **1 X Screw** and **1 x Glass Bracket** either side of the fire. See **Diagram 28**.



**Diagram 28**

The installation is now complete.

**Note:** Consult the separate **Fire Operating Instructions** for manual and remote operation.

## Troubleshooting

Problem	Solution
The fire is not switching on	Ensure there is power to the fire, is the main electric socket switched on?.
The fire is not switching on	Check fuse in the plug / spur and also check the main rocker switch on the fire is in the "ON" position.
The fire is not emitting heat	Check the temperature on the fire display is set higher than the room temperature
The fire Shuts off after a period of time	The room has reached the set temperature. Has the daily timer been set.
Remote not operating the fire	Replace the batteries in the remote control handset
Display showing E1	The thermostat sensor is disconnected or broken. Contact customer services.
Display showing E2	Thermostat sensor broken contact customer services
Display showing E3	Fire has overheated and the safety cut-out has operated. Check air inlets and outlets to ensure they are not blocked or obstructed. Switch power to the fire off for 30 minutes to allow safety cut-out to reset. Power up the fire and monitor for overheating, if problem persists contact customer services.

Should you be experiencing any problems with your fire please call Customer Services on 01914300901 or email us at [customerservices@bemodern.co.uk](mailto:customerservices@bemodern.co.uk)