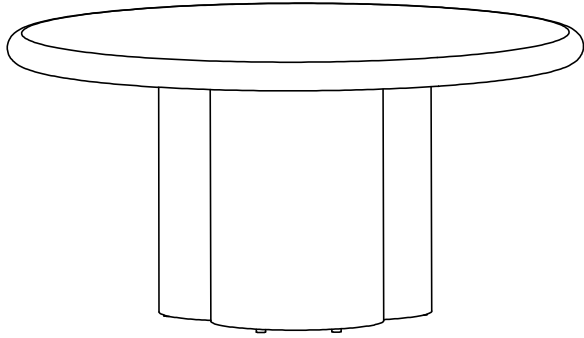

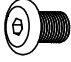


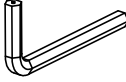


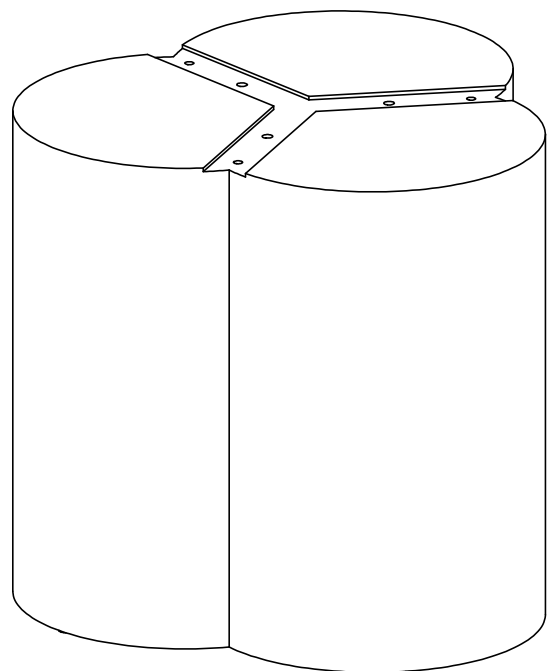
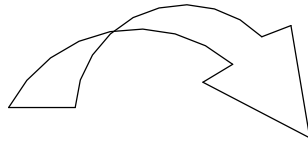
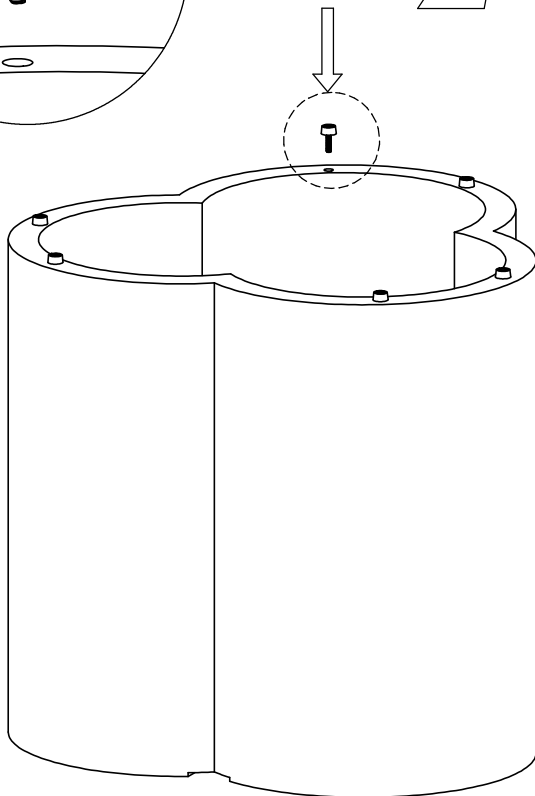
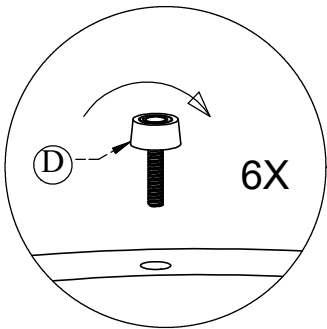
# ASSEMBLY INSTRUCTION FOR DINING TABLE



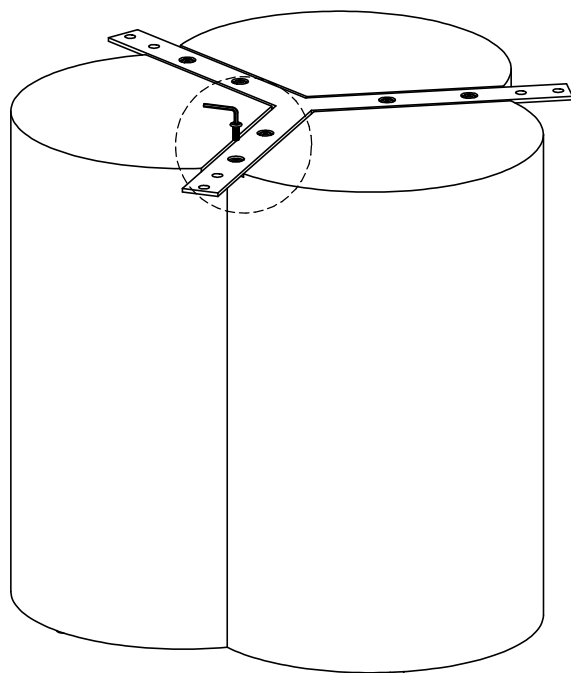
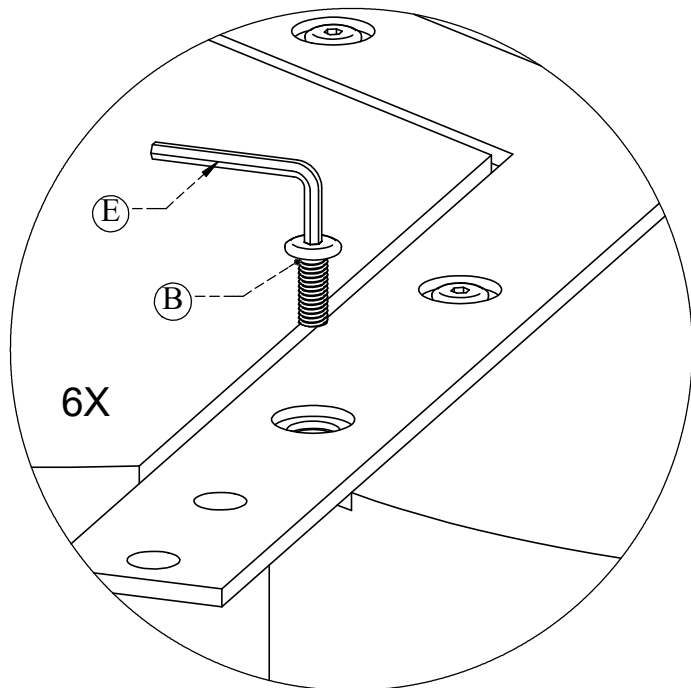
Hardware List			
A		Bolt M8x30	6pcs
B		Bolt M8x20	6pcs
C		Washer M8	6pcs
D		Leveler H10	6pcs
E		Allen Key	1pc

## Step 1

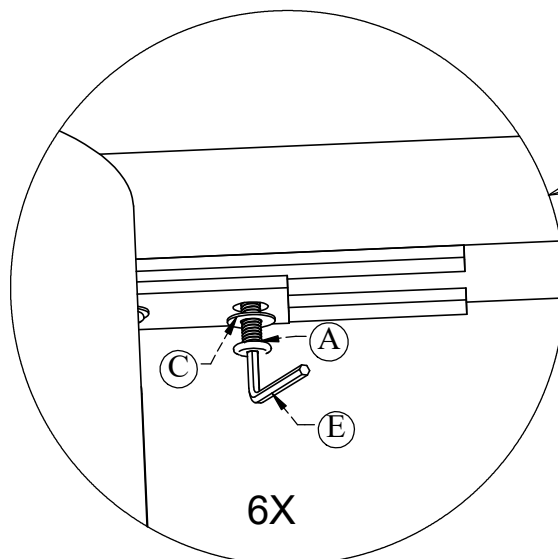
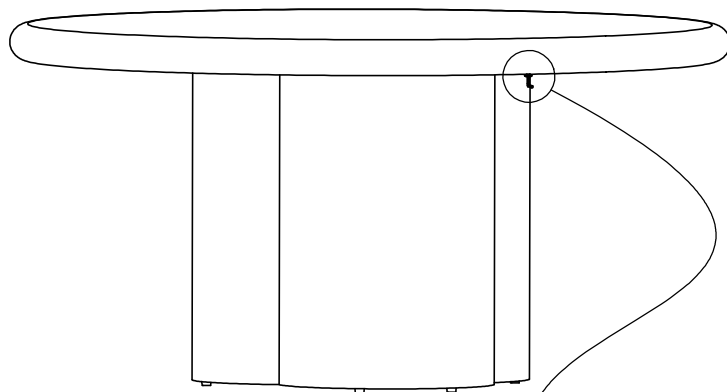
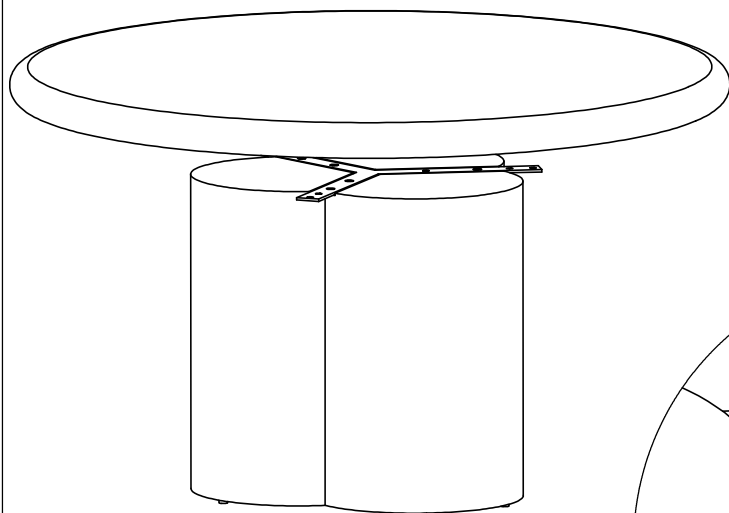
Tighten the Leveler to the base



**Step 2**  
Using hardware to assembly  
Put the base stand on the  
ground, after checking all  
bolts and make sure they  
are even, please tighten the  
bolts fully



**Step 3**



Using hardware to assembly  
Put the top on the base, after  
checking all bolts and make  
sure they are even, please  
tighten the bolts fully