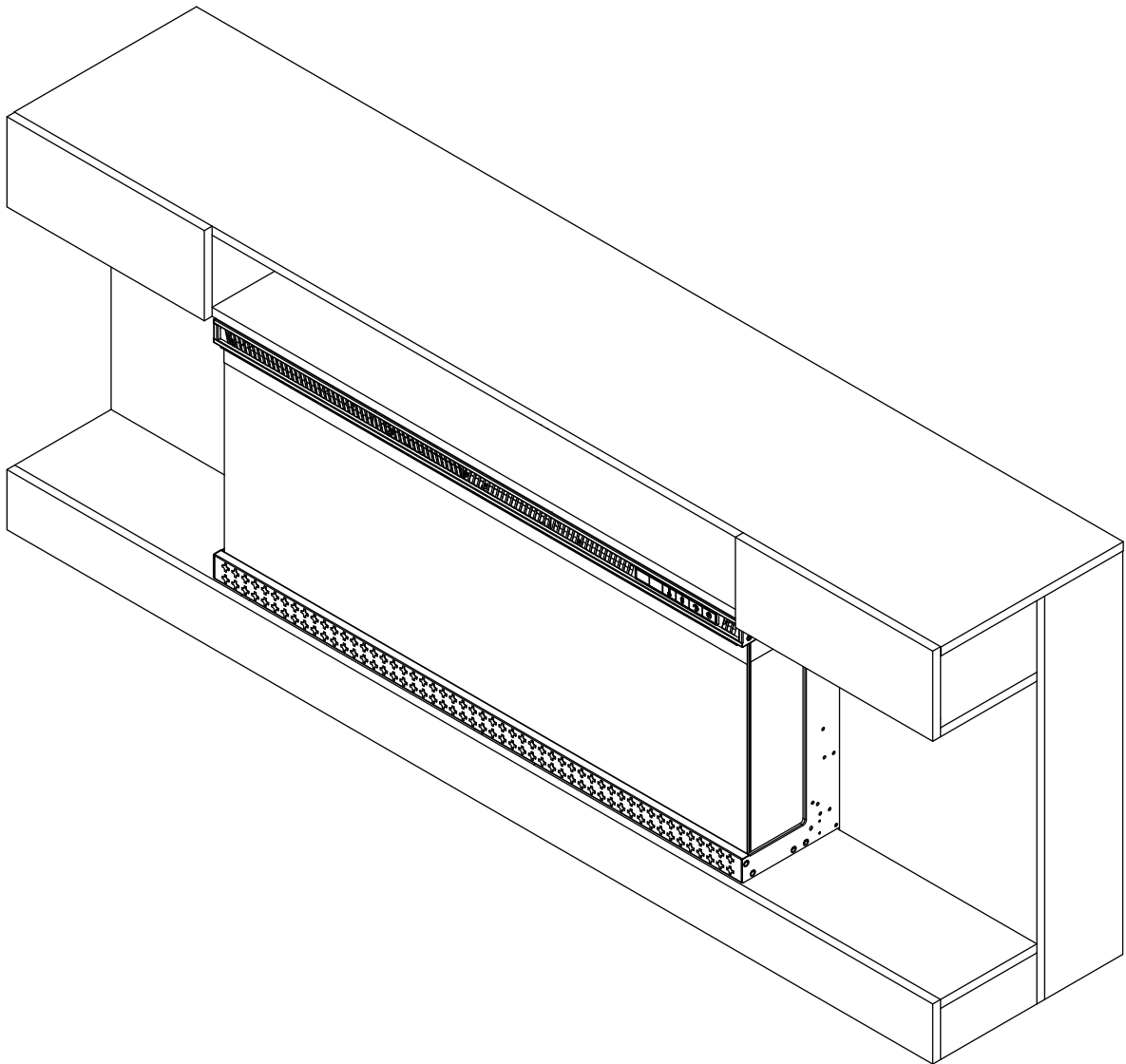


# TV Stand

---



**Suggestion: To make the installation process easier and faster, we recommend that two people work together to install the TV stand.**

# INTRODUCTION

Thank you for purchasing our products. Please read the instructions carefully before installation and keep it in a safe place for future reference. If you need any assistance or support, please feel free to contact our customer support team.

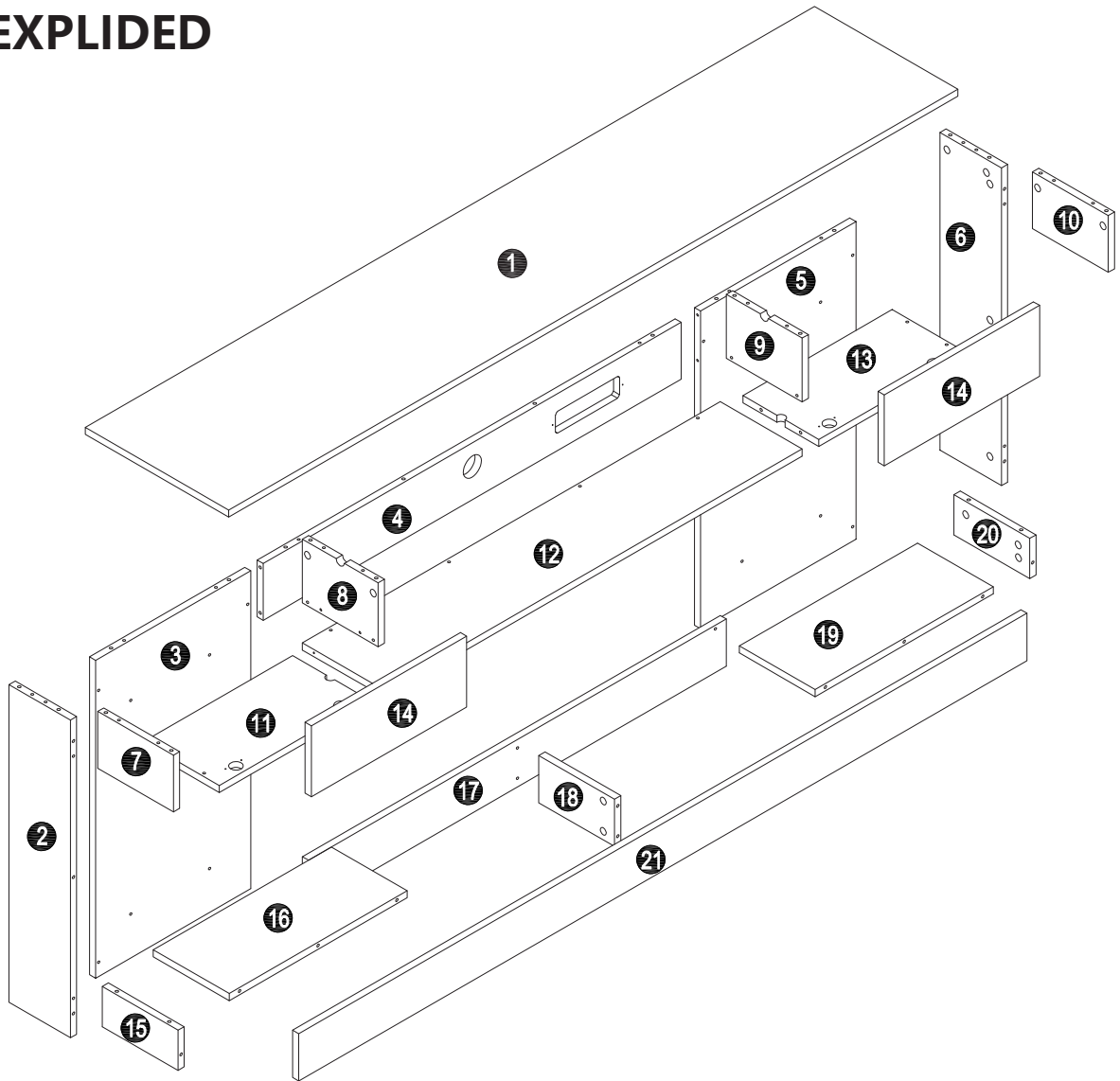
# PRECAUTIONS

1. There are many components and accessories in the package. Each component and accessory is labeled with a letter or a number, check carefully before using any of them. Keep them away from children to prevent accidents.
2. Please install the product on a clean and soft underlay (such as carpet or cardboard) to avoid scratching or damaging the surface of the product.
3. The main components of the product is relatively heavy. Please pay attention to safety during installation.
4. The product is not stable during installation. Please do not move it randomly before it is completely installed.
5. If you have any questions during installation, please contact the customer service in time.

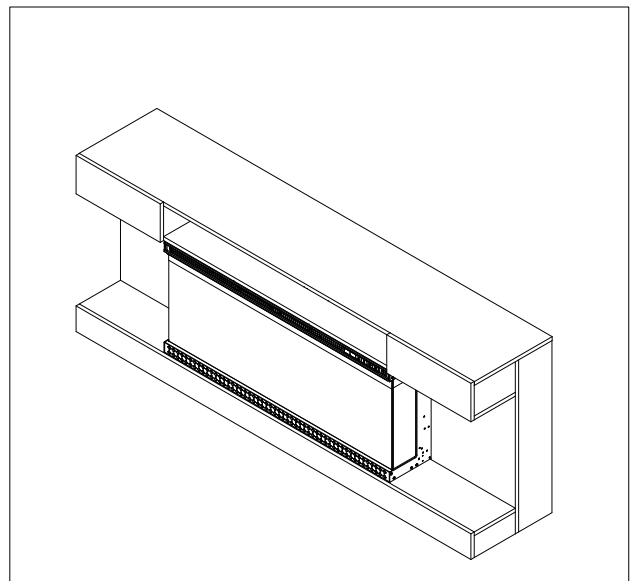
**\* PLEASE BE SURE TO FOLLOW THE INSTALLATION STEPS IN THE MANUAL TO AVOID UNNECESSARY LOSSES CAUSED BY IMPROPER INSTALLATION.**

**\* IF YOU NEED FURTHER ASSISTANCE, PLEASE CONTACT THE CUSTOMER SERVICE ONLINE.**

**EXPLODED**

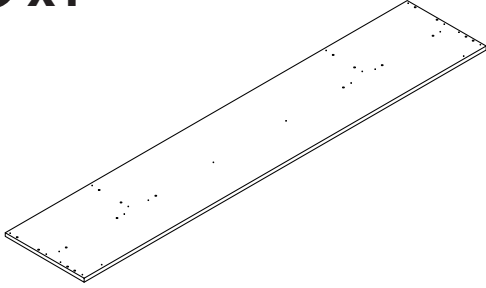


**COMPLETE**

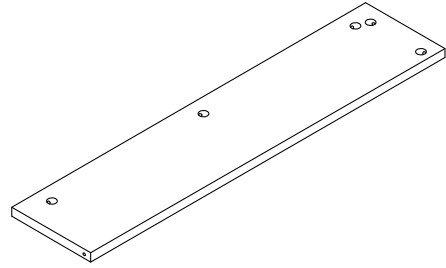


## Parts List

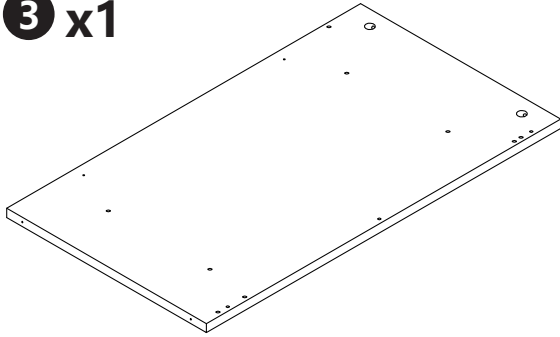
**1 x1**



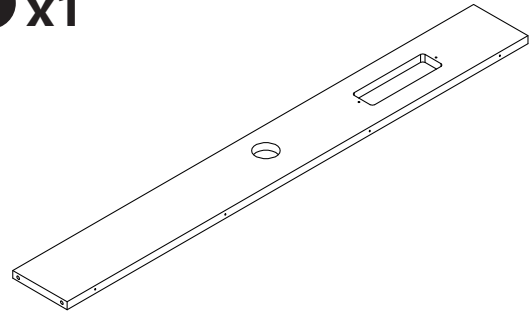
**2 x1**



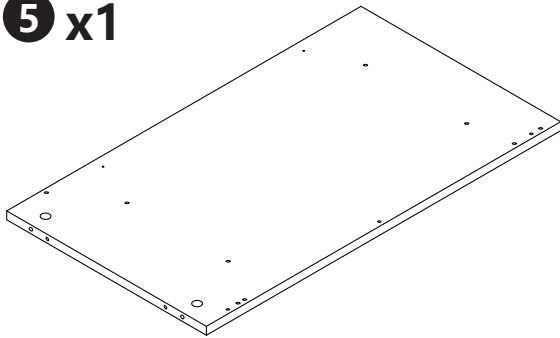
**3 x1**



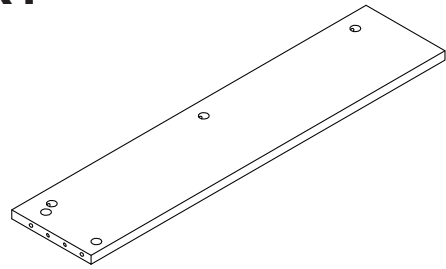
**4 x1**



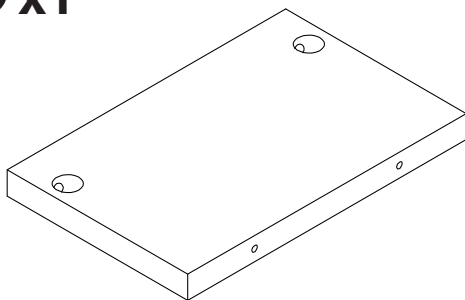
**5 x1**



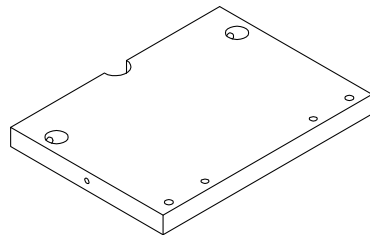
**6 x1**



**7 x1**

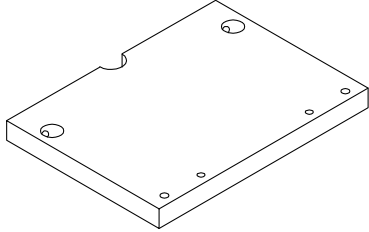


**8 x1**

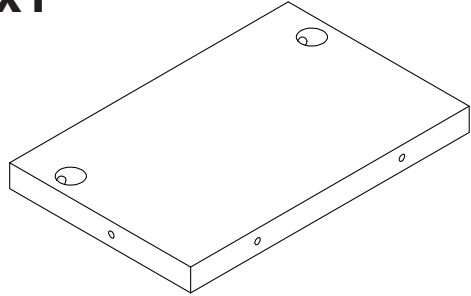


## Parts List

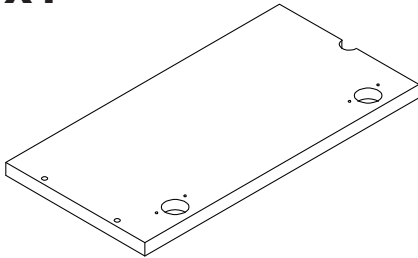
**9 x1**



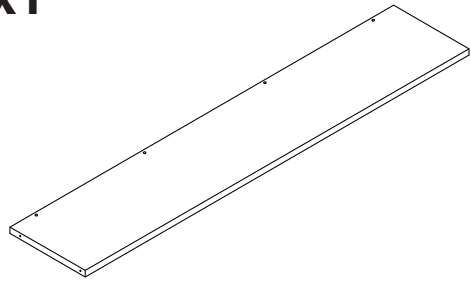
**10 x1**



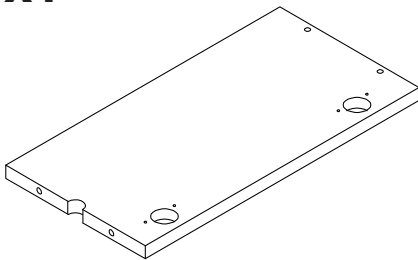
**11 x1**



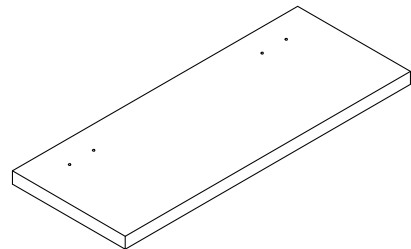
**12 x1**



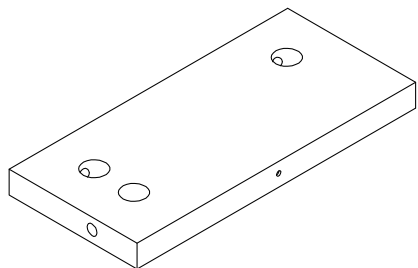
**13 x1**



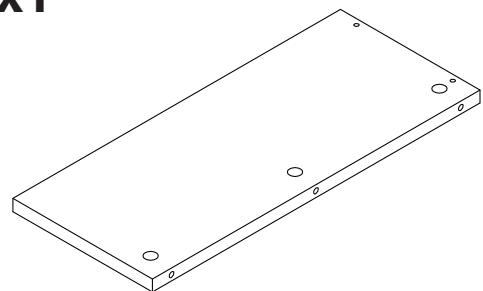
**14 x2**



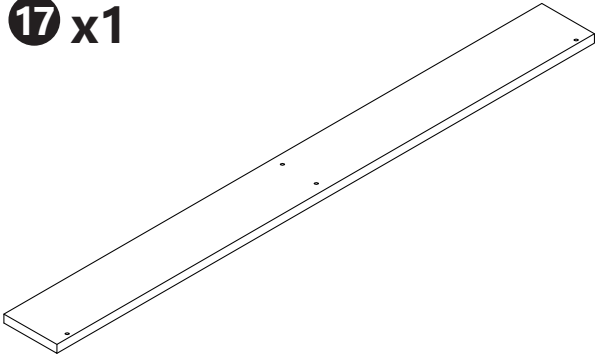
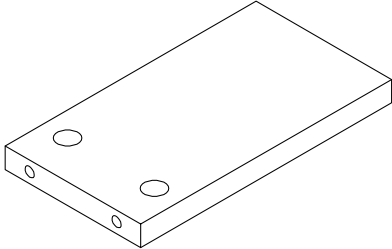
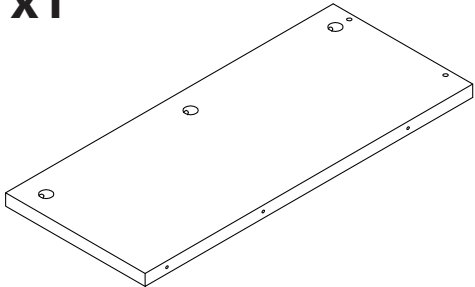
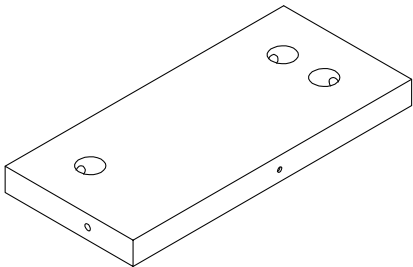
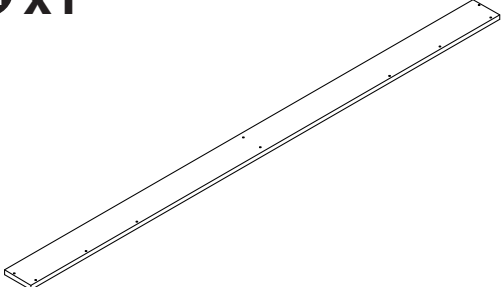
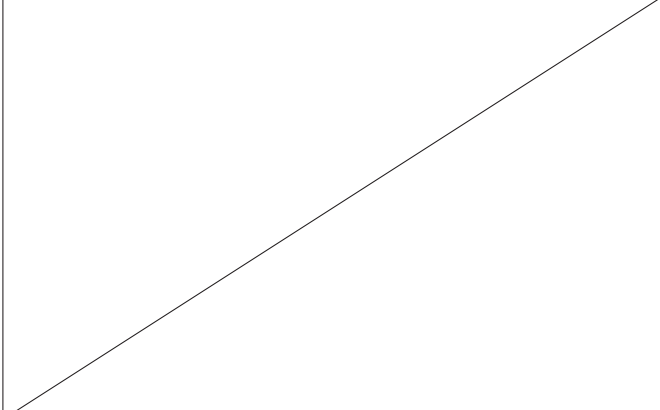
**15 x1**





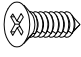
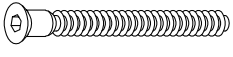

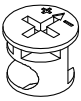
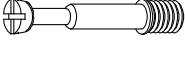
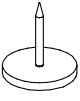
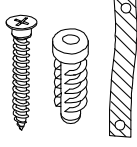
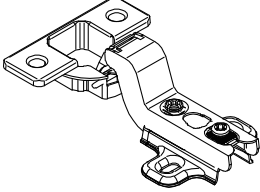
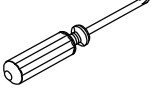
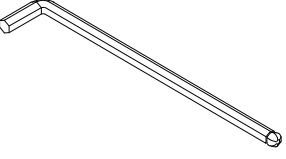
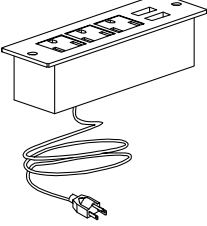
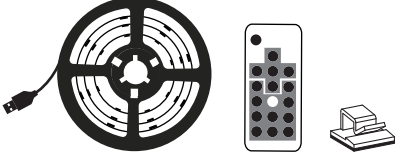

**16 x1**



## Parts List

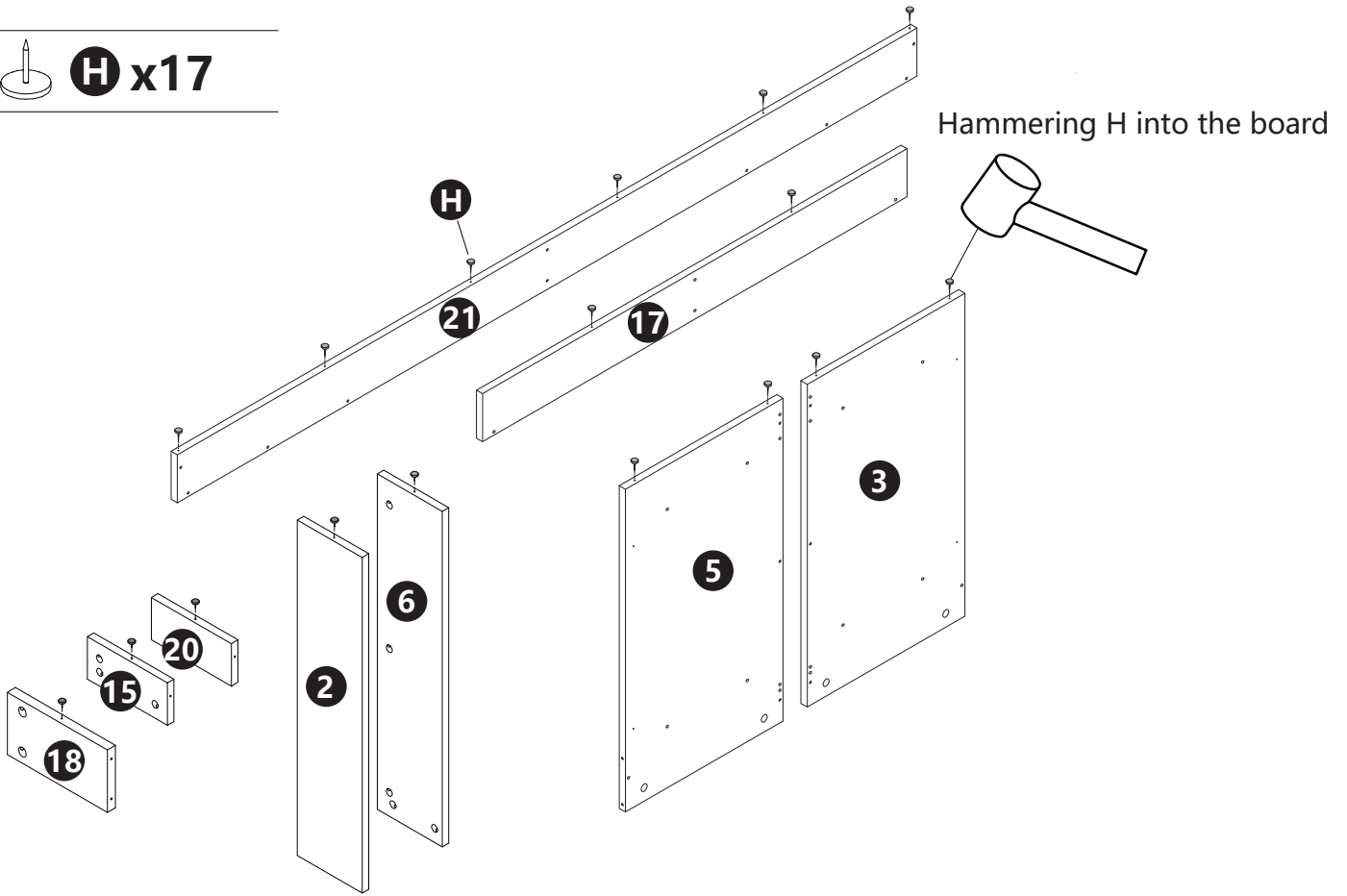
<p><b>17 x1</b></p> 	<p><b>18 x1</b></p> 
<p><b>19 x1</b></p> 	<p><b>20 x1</b></p> 
<p><b>21 x1</b></p> 	

## Parts List

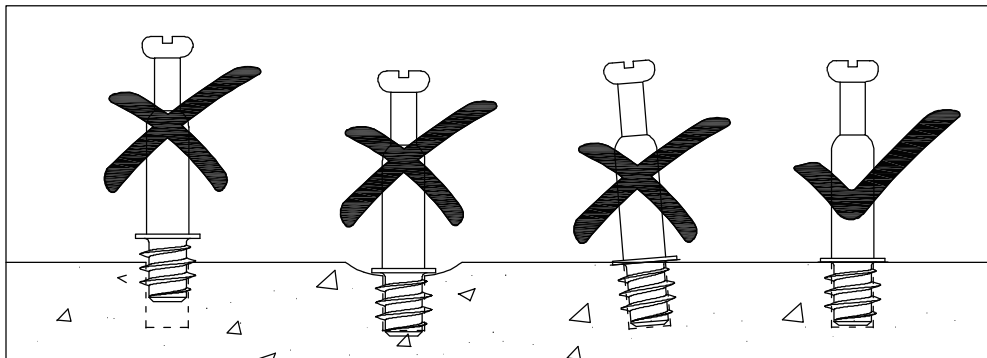
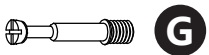
<p><b>A</b> x2+1</p>  <p>M4x12mm</p>	<p><b>B</b> x6+1</p>  <p>∅3.5x12mm</p>	<p><b>C</b> x16+2</p>  <p>∅4x12mm</p>
<p><b>D</b> x30+4</p>  <p>∅5x48mm</p>	<p><b>E</b> x22+3</p>  <p>∅5x30mm</p>	<p><b>F</b> x48+5</p>  <p>∅15x9mm</p>
<p><b>G</b> x48+5</p>  <p>∅6x35mm</p>	<p><b>H</b> x17</p> 	<p><b>I</b> x2</p> 
<p><b>J</b> x4</p> 	<p><b>K</b> x1</p> 	<p><b>L</b> x1</p>  <p>M3</p>
<p><b>M</b> x1</p> 	<p><b>N</b> x1</p> 	<p><b>O</b> x2</p> 

★ In many cases, we include additional hardware. So after following the assembly instructions, don't worry if there are still extra pieces left over—they're included as a "just in case" for your convenience.

**STEP 1**

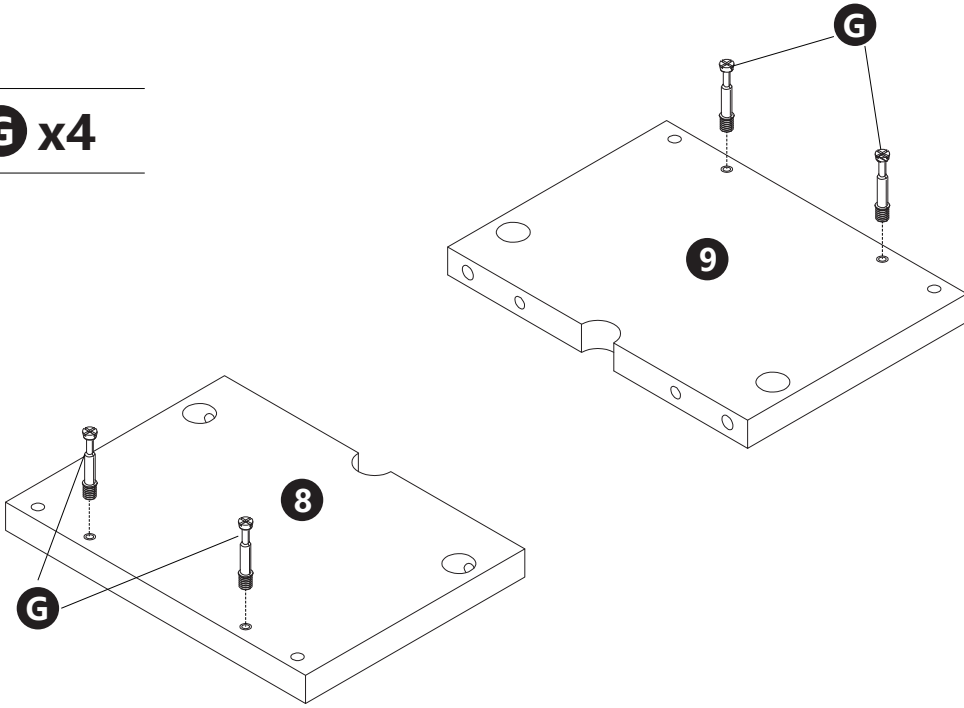


**STEP 2** Note: Install the fitting 'G' and screw it in vertically to facilitate the subsequent plate connection and hole alignment



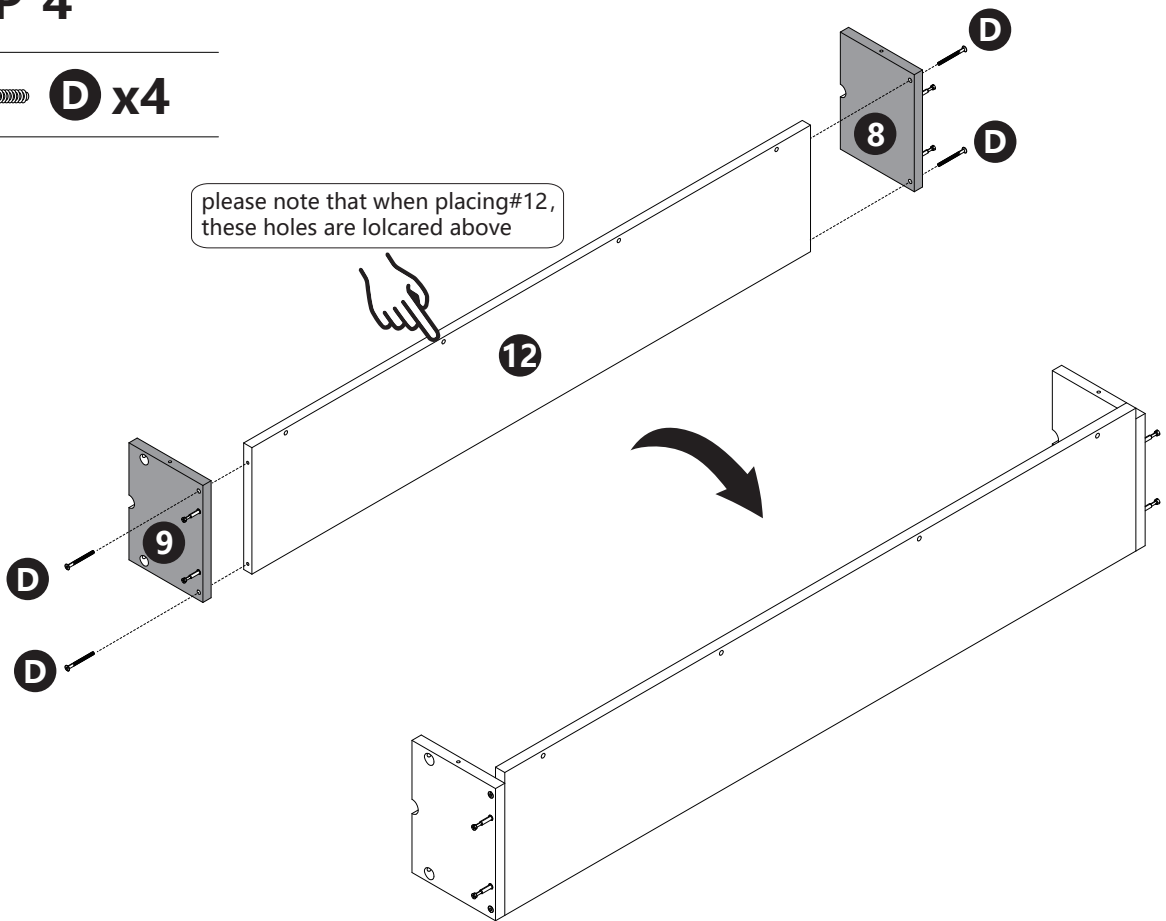
**STEP 3**

 **G** x4



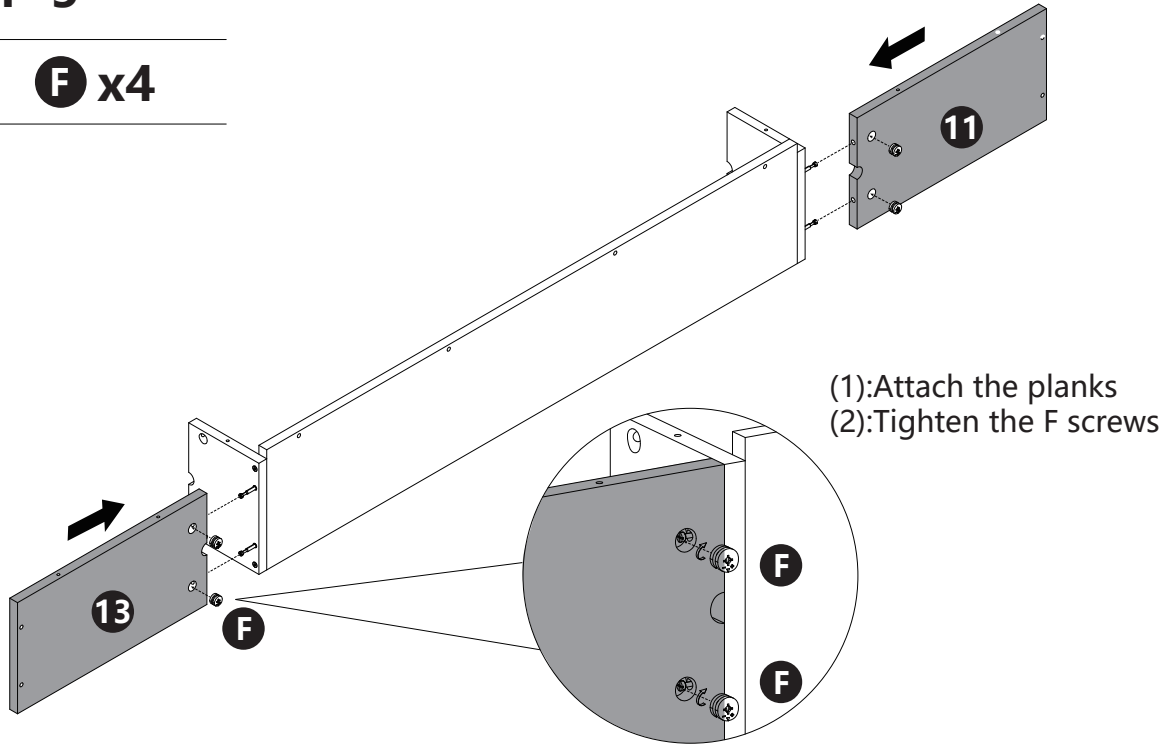
**STEP 4**

 **D** x4



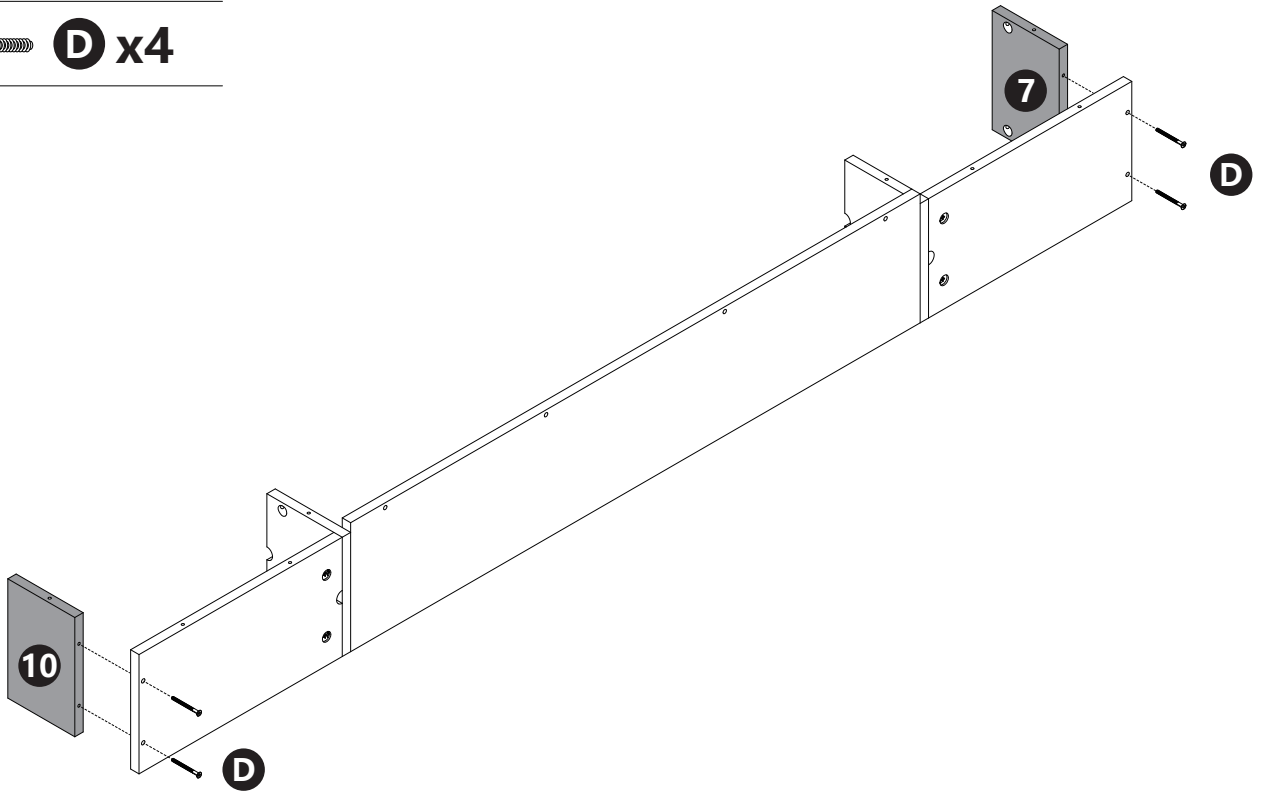
## STEP 5

 **F** x4



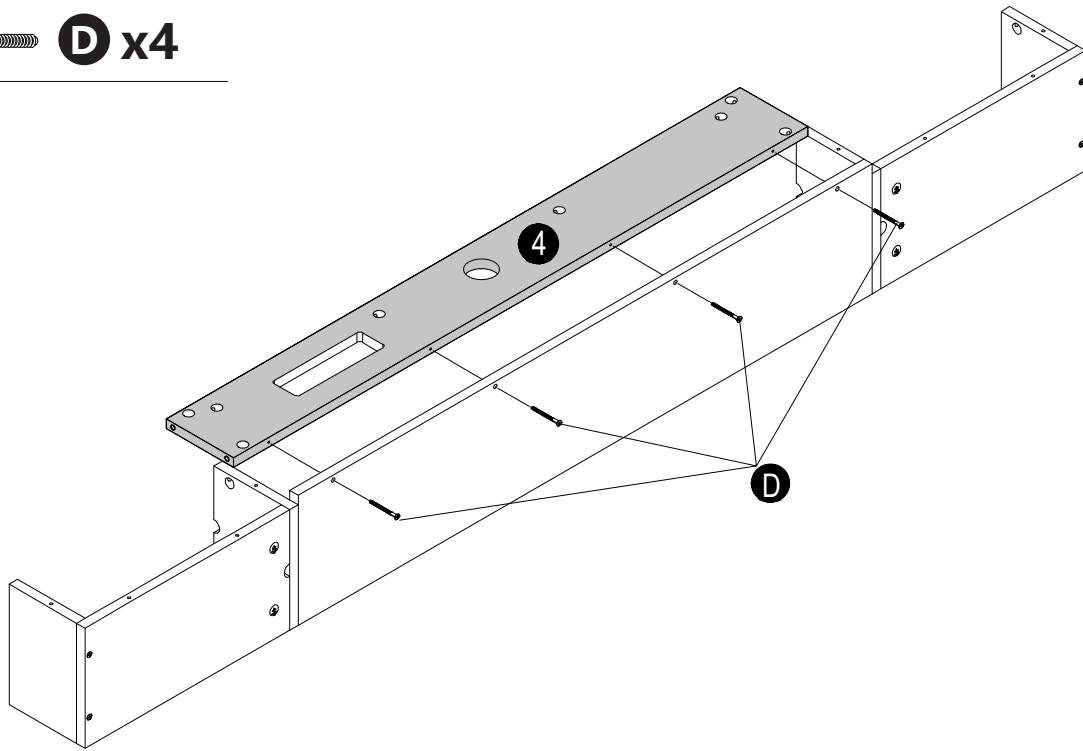
## STEP 6

 **D** x4



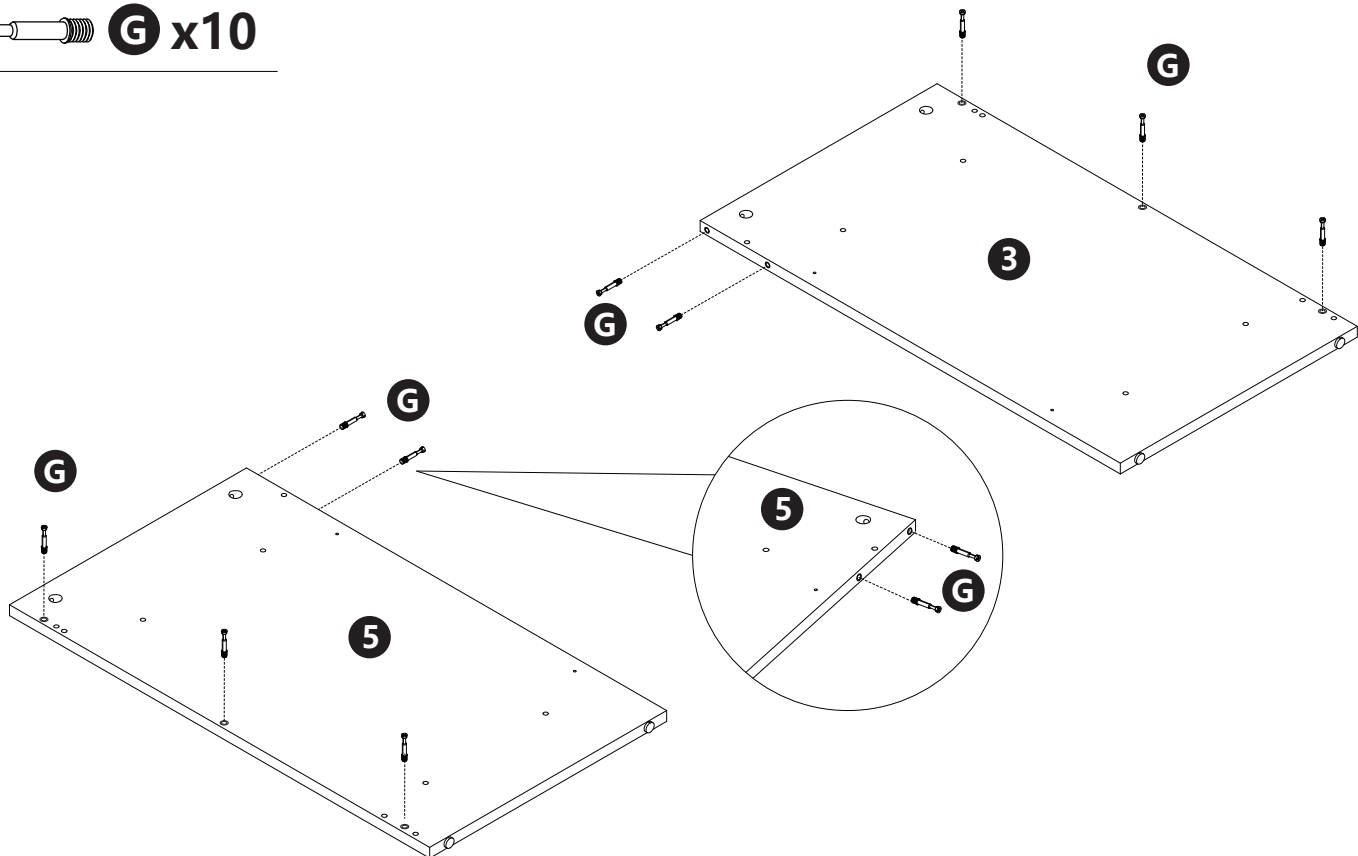
**STEP 7**

 **D** x4



**STEP 8**

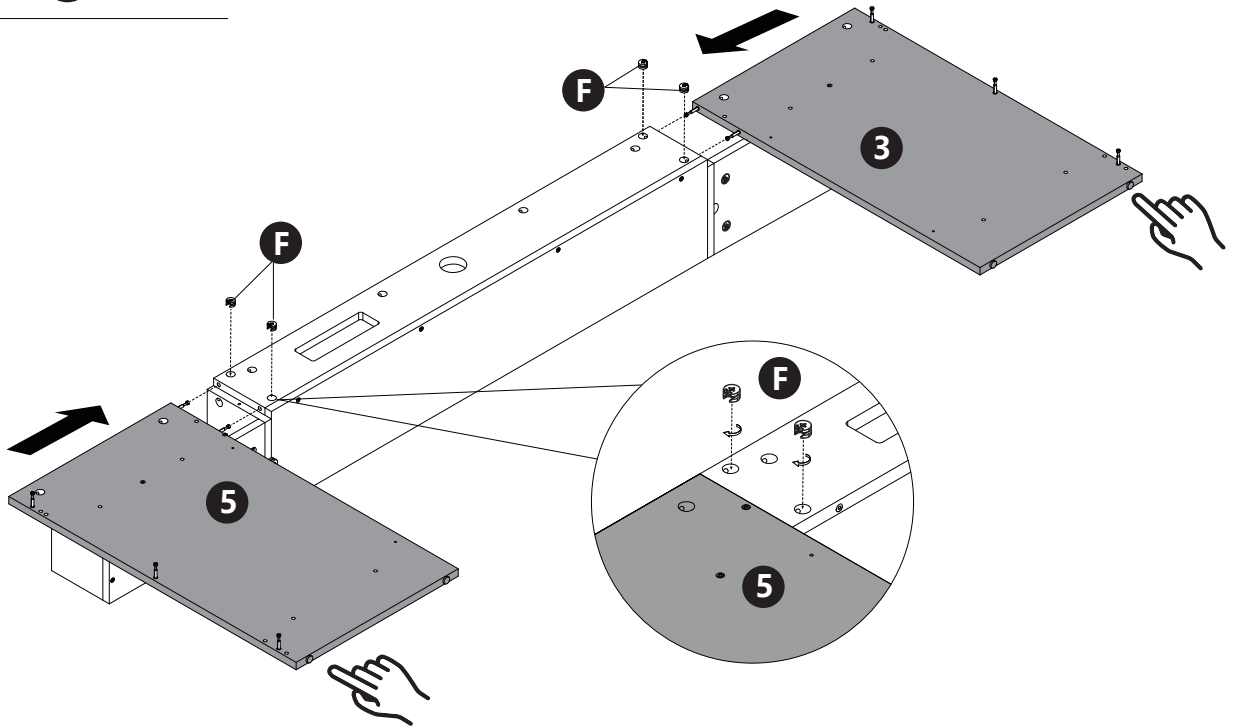
 **G** x10



STEP 9



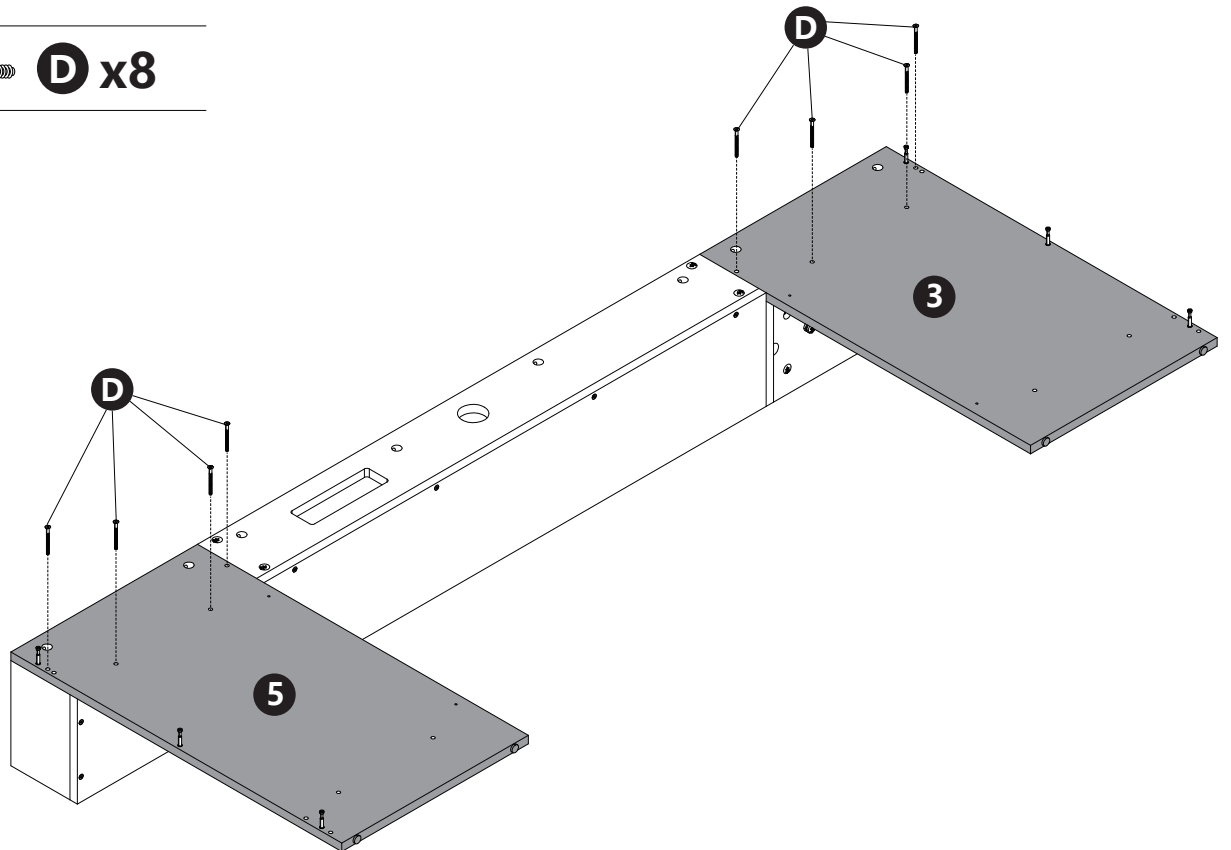
**F** x4



STEP 10

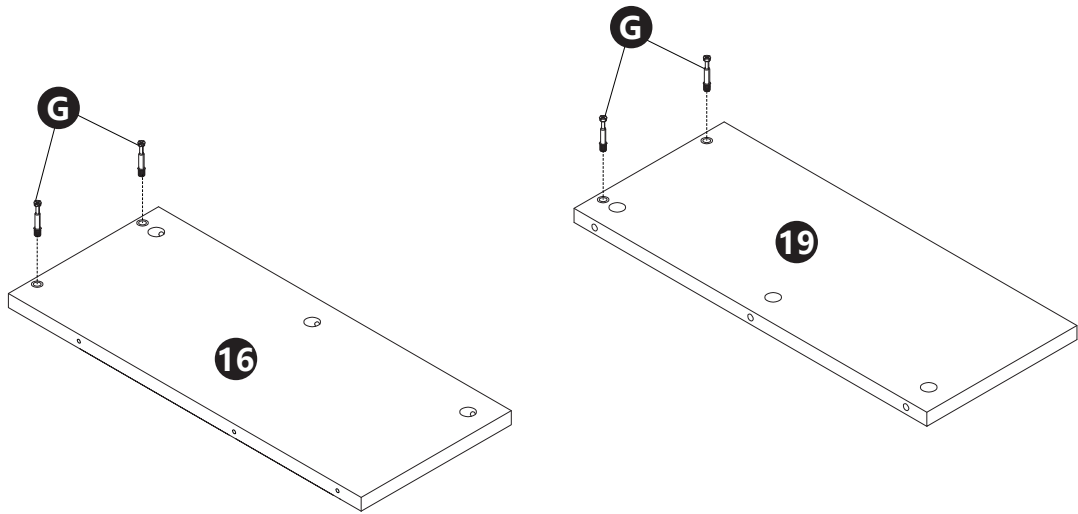


**D** x8



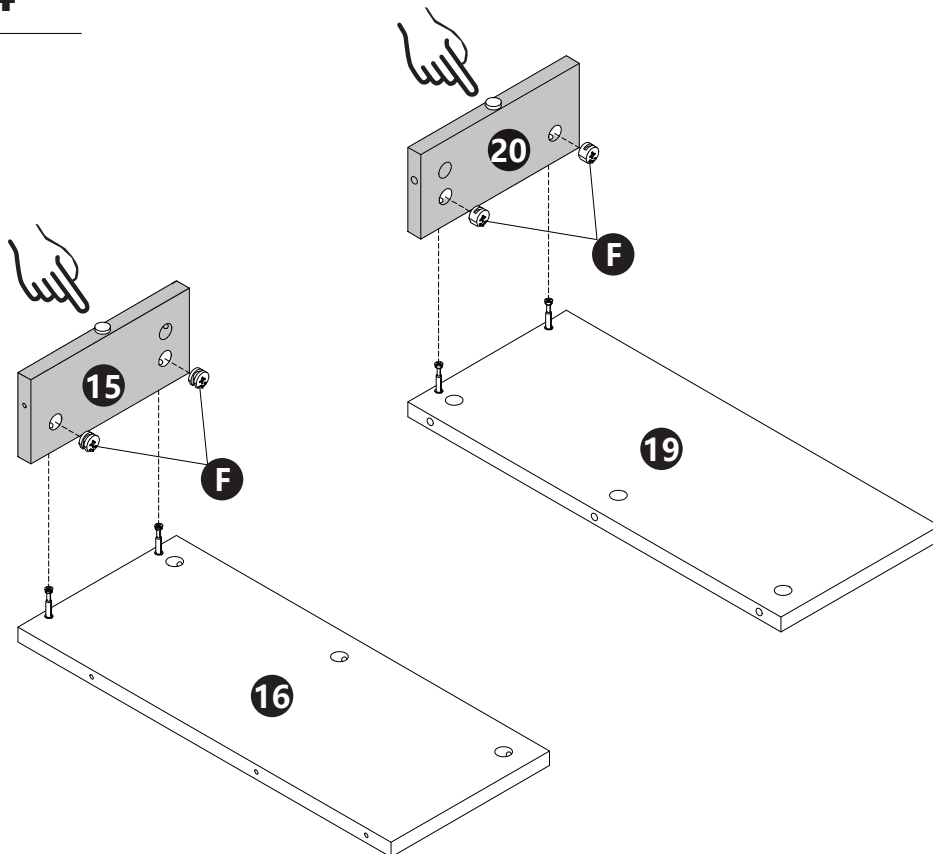
## STEP 11

 **G** x4



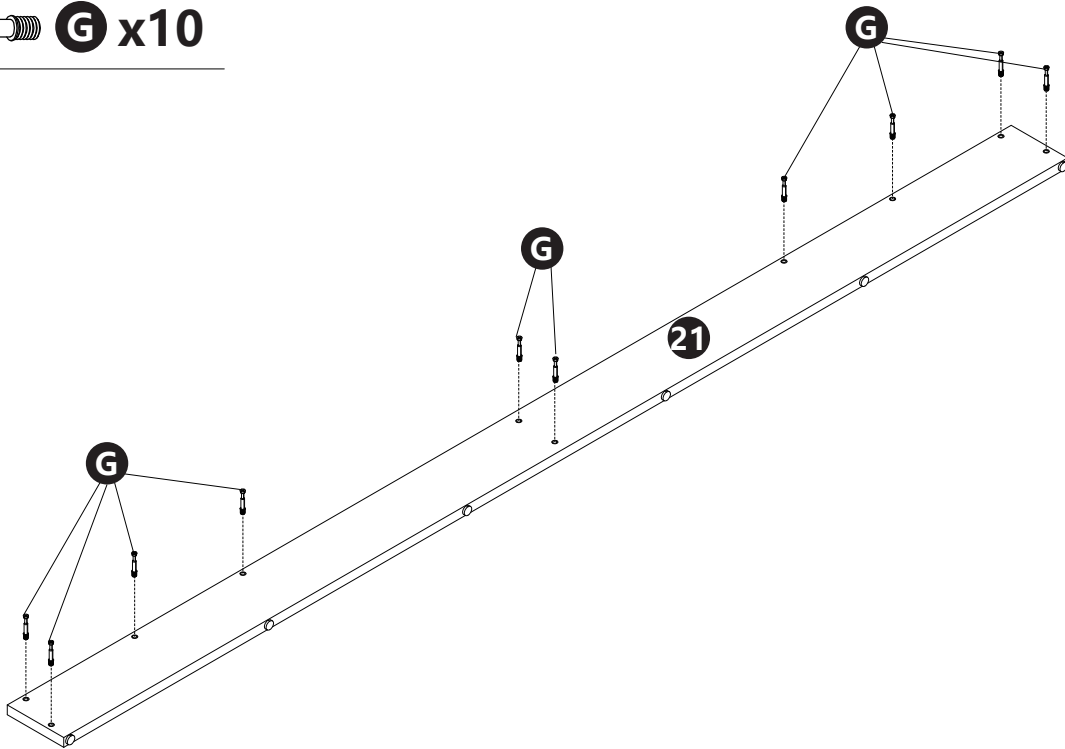
## STEP 12

 **F** x4



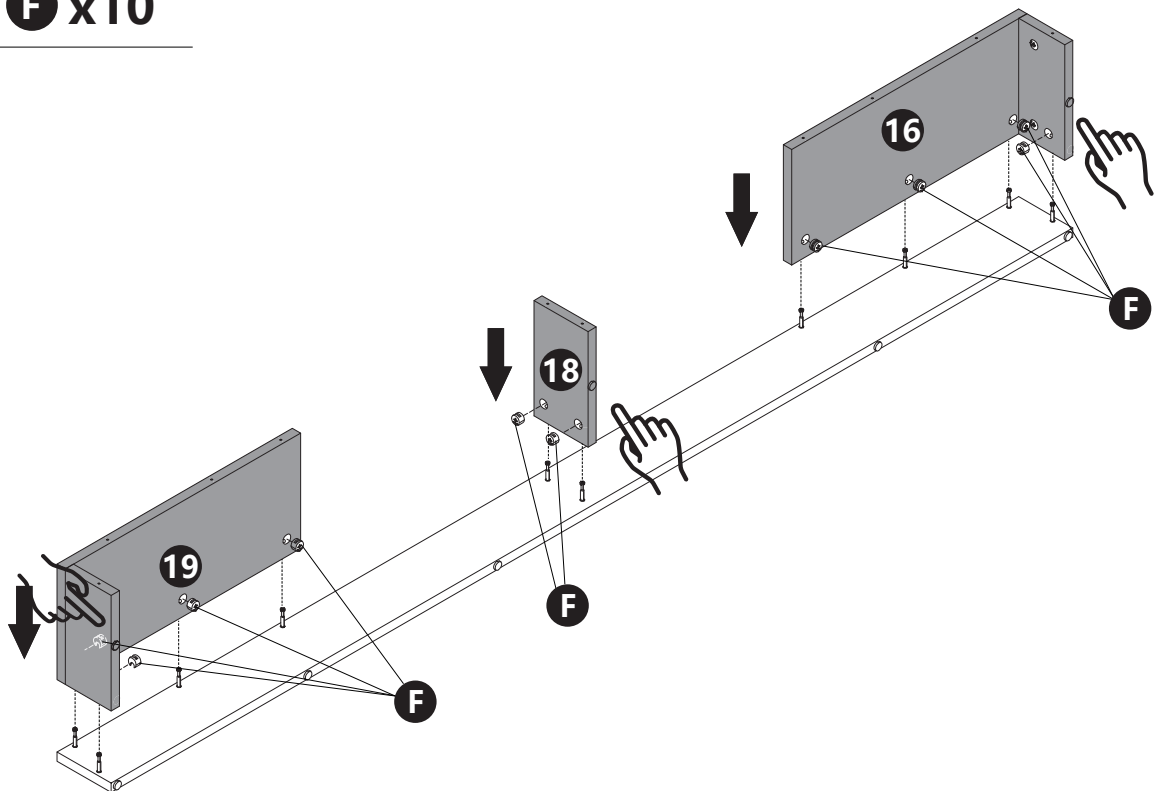
STEP 13

 **G** x10



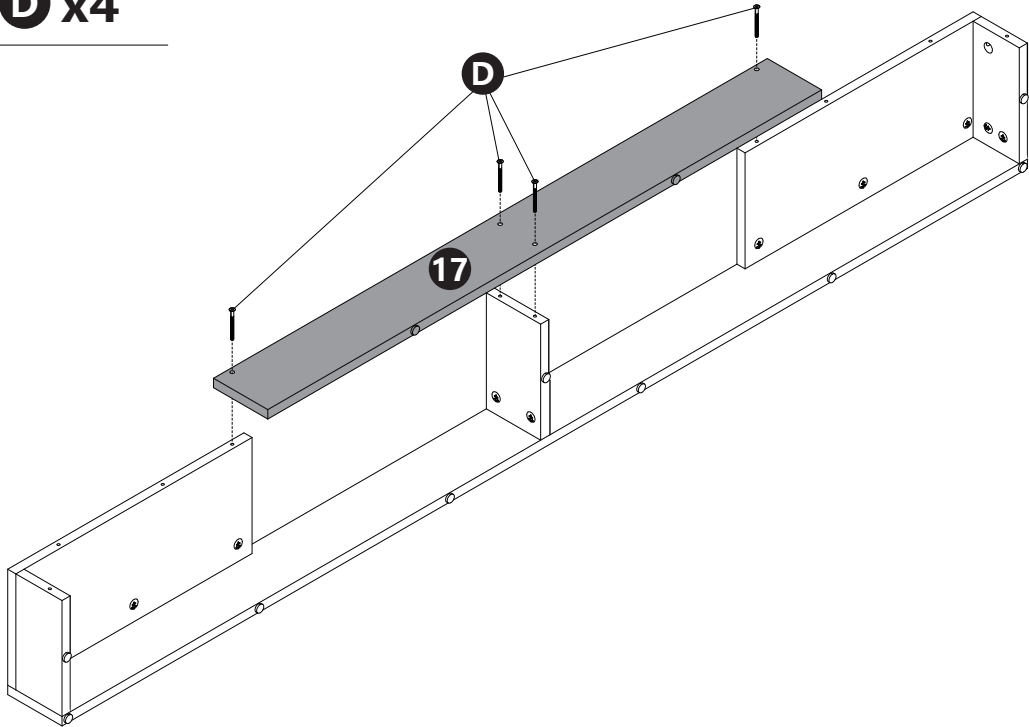
STEP 14

 **F** x10



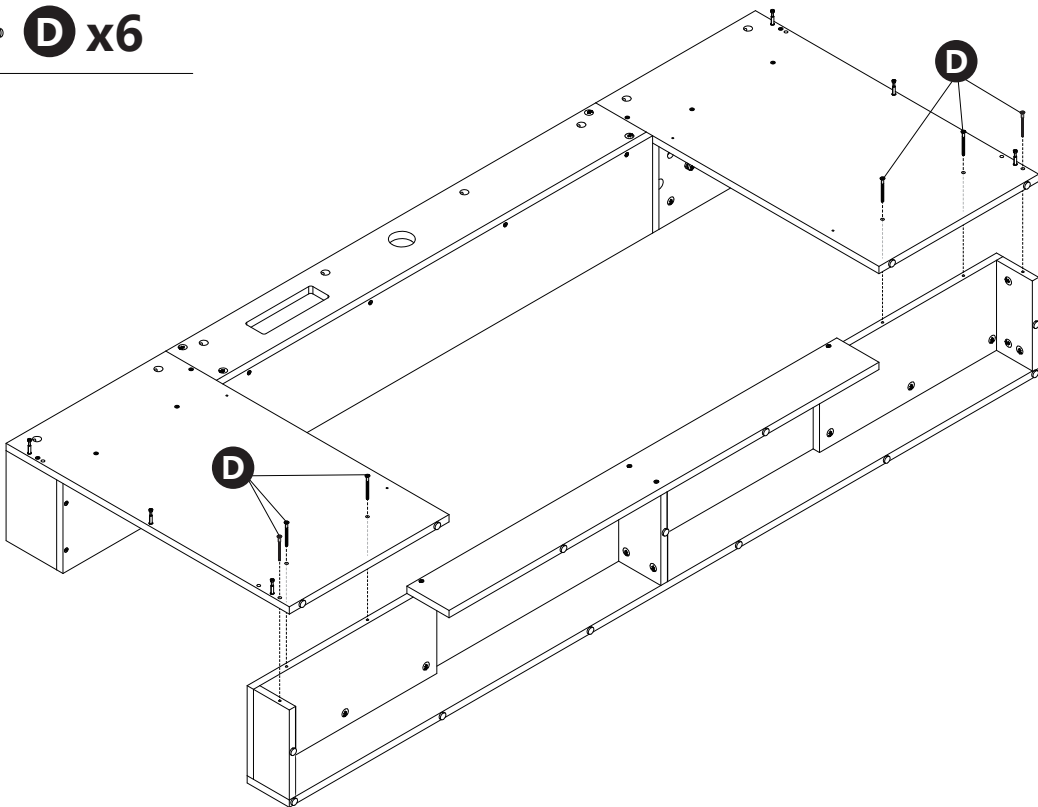
STEP 15

 **D** x4



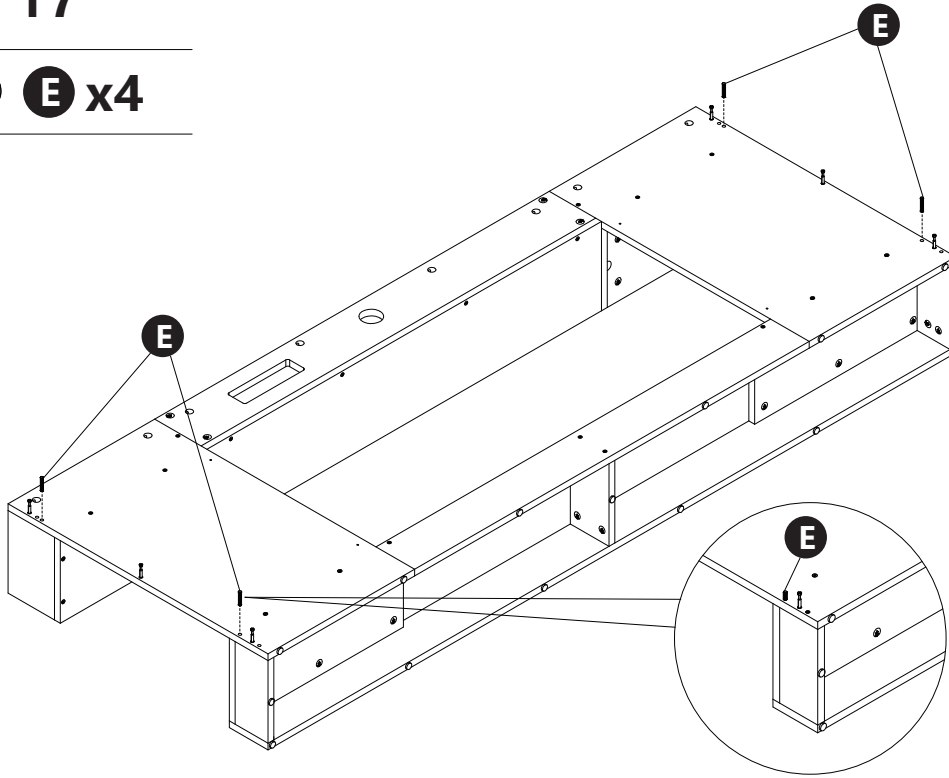
STEP 16

 **D** x6



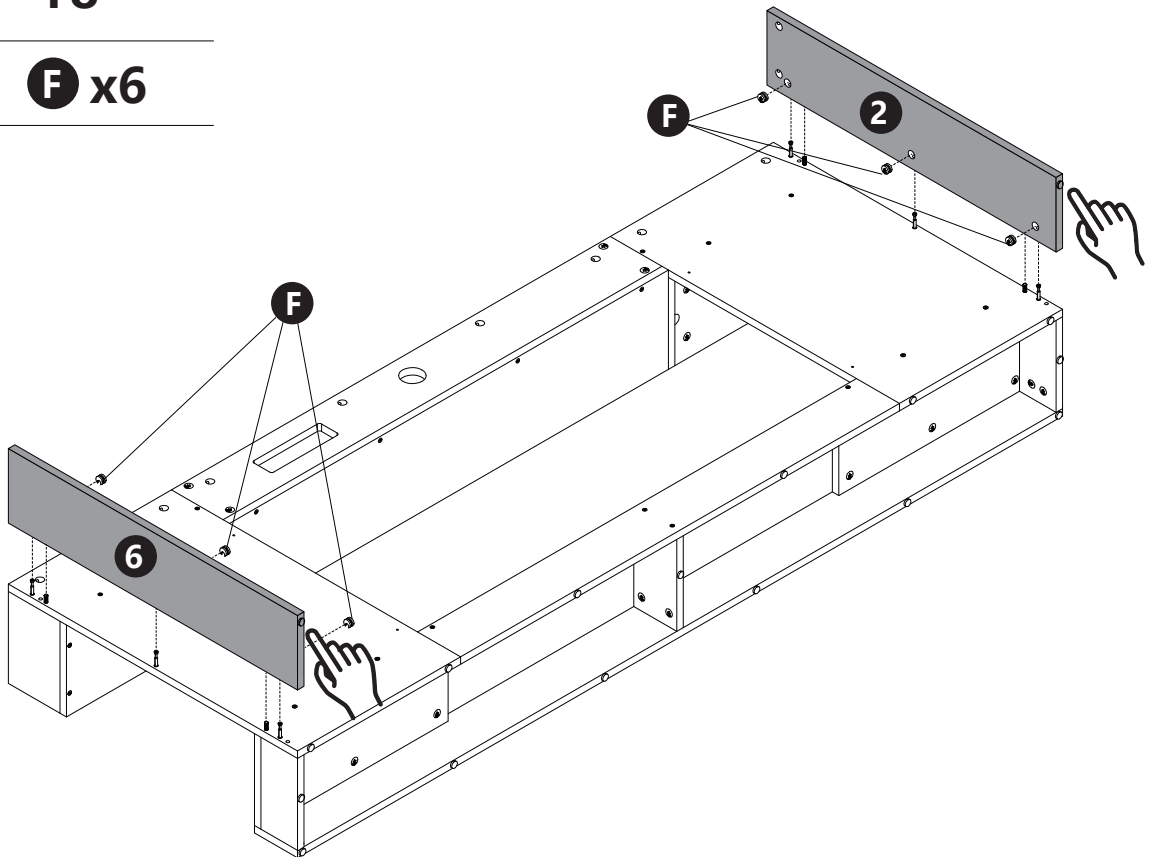
**STEP 17**

 **E** x4



**STEP 18**

 **F** x6



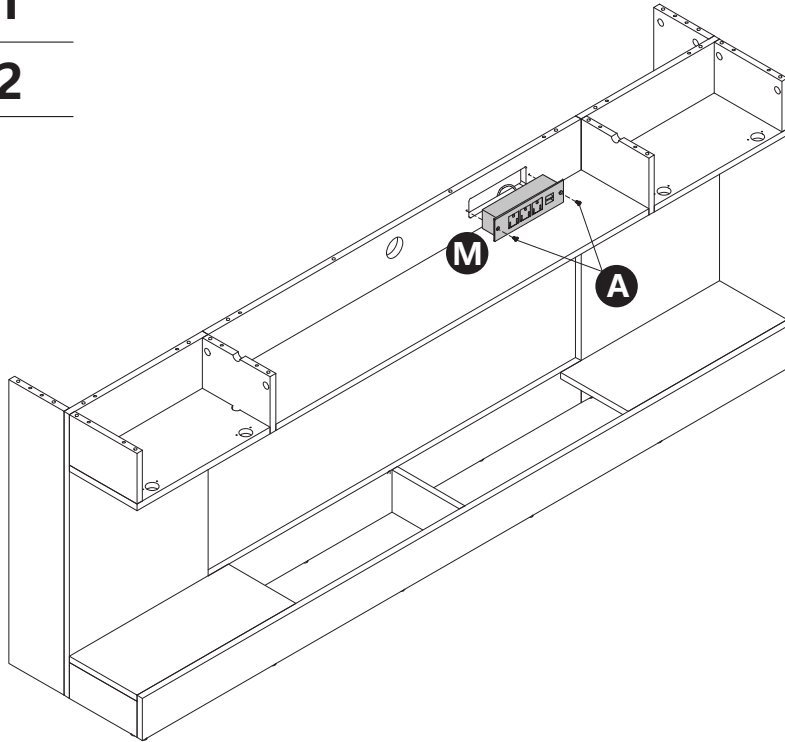
**STEP 19**



**M** x1



**A** x2



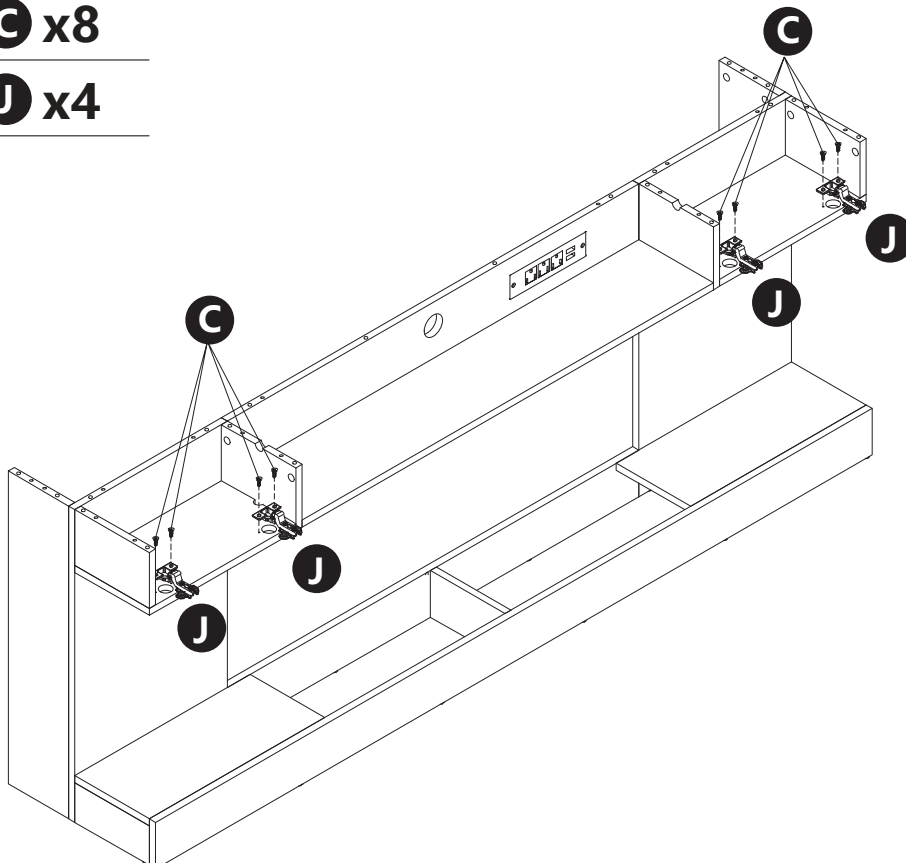
**STEP 20**



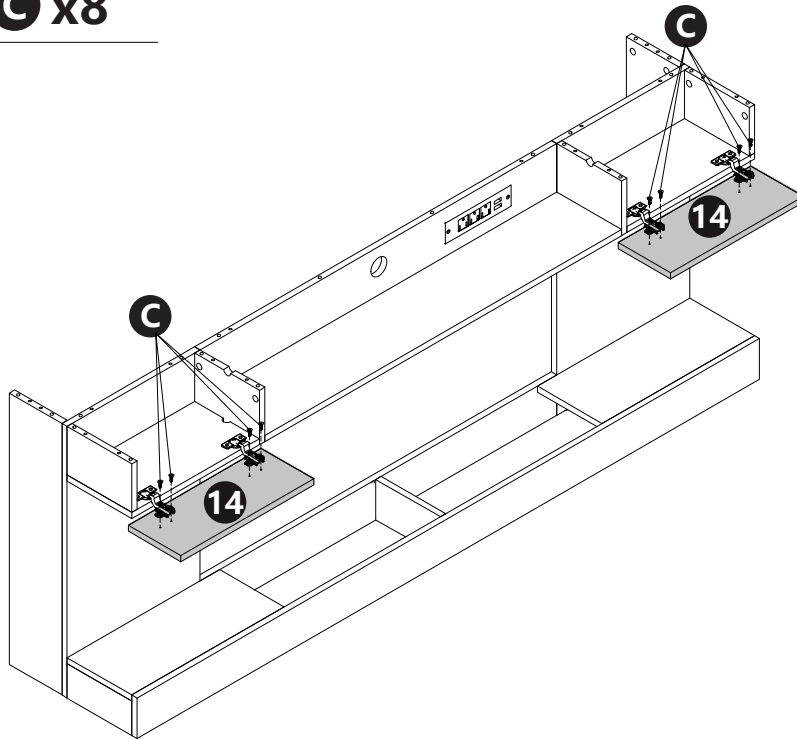
**C** x8



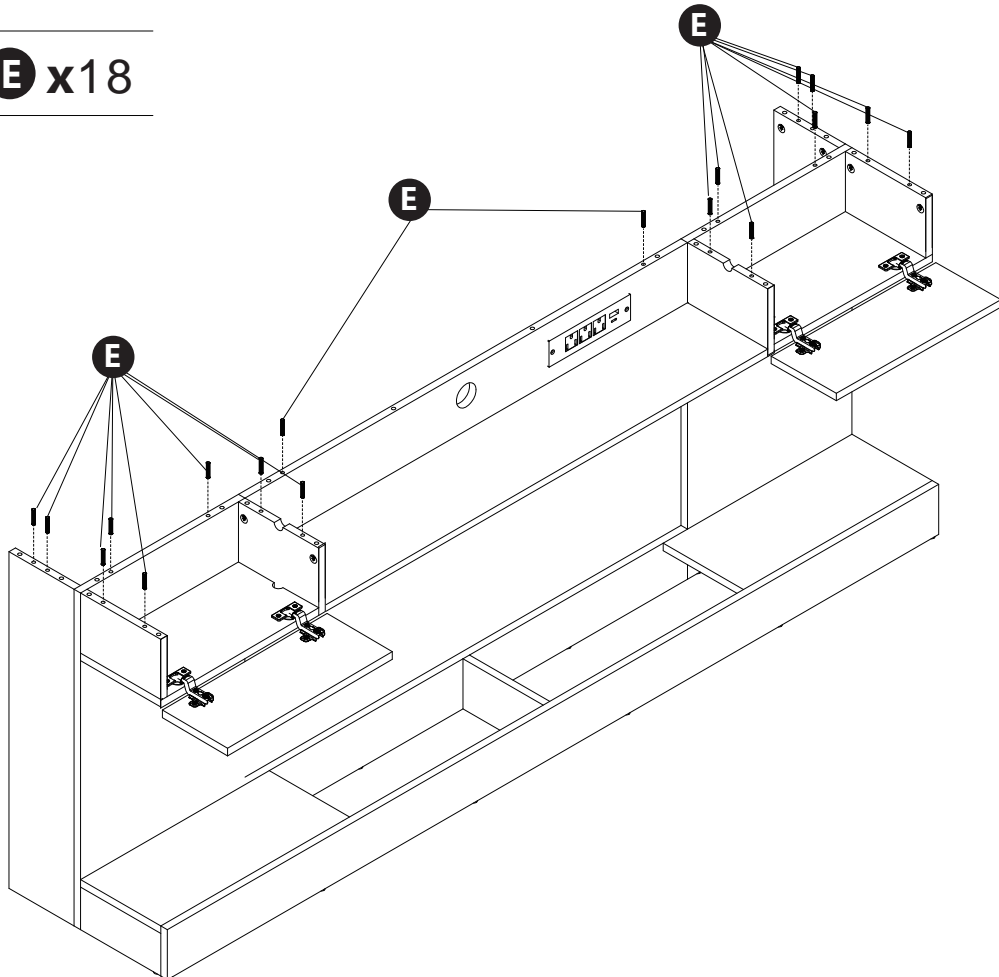
**J** x4



## STEP 21

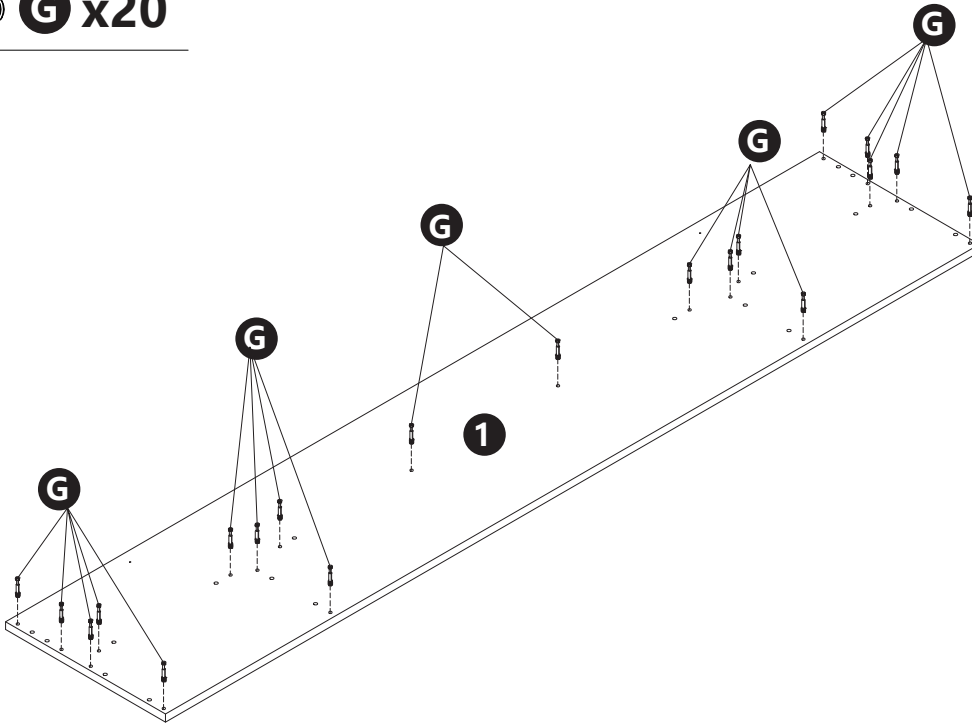


## STEP 22



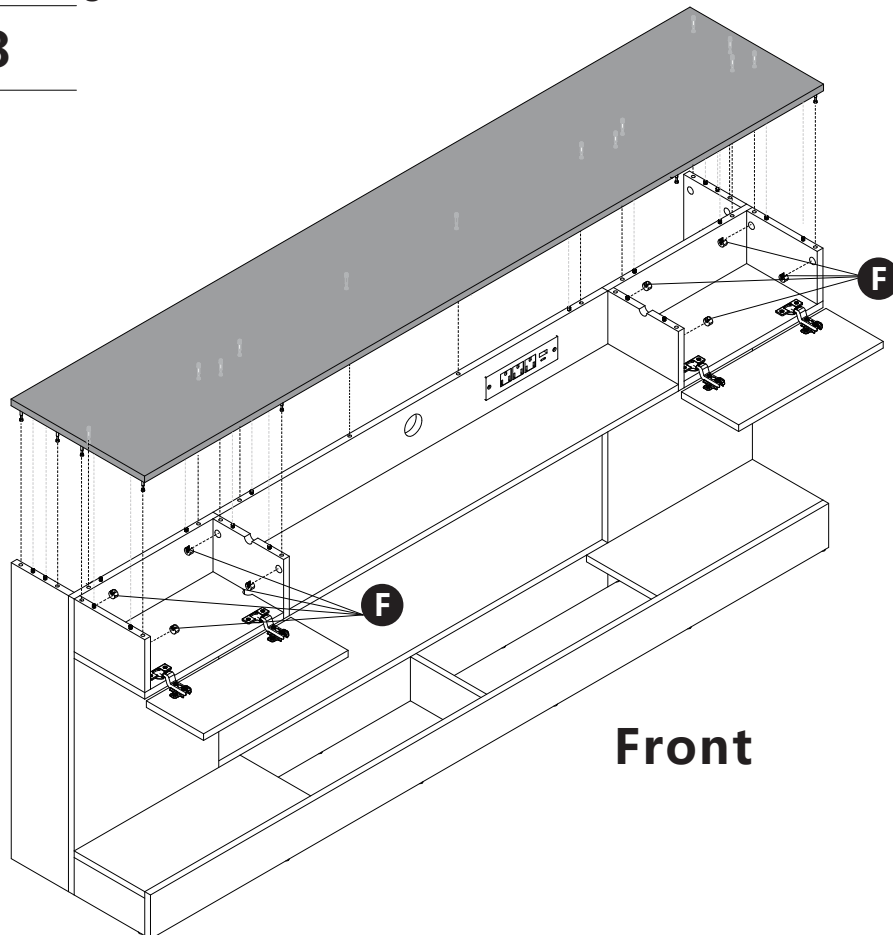
**STEP 23**

 **G** x20



**STEP 24** Align attachment 1 with all holes on the base and tighten all screws F on the front.

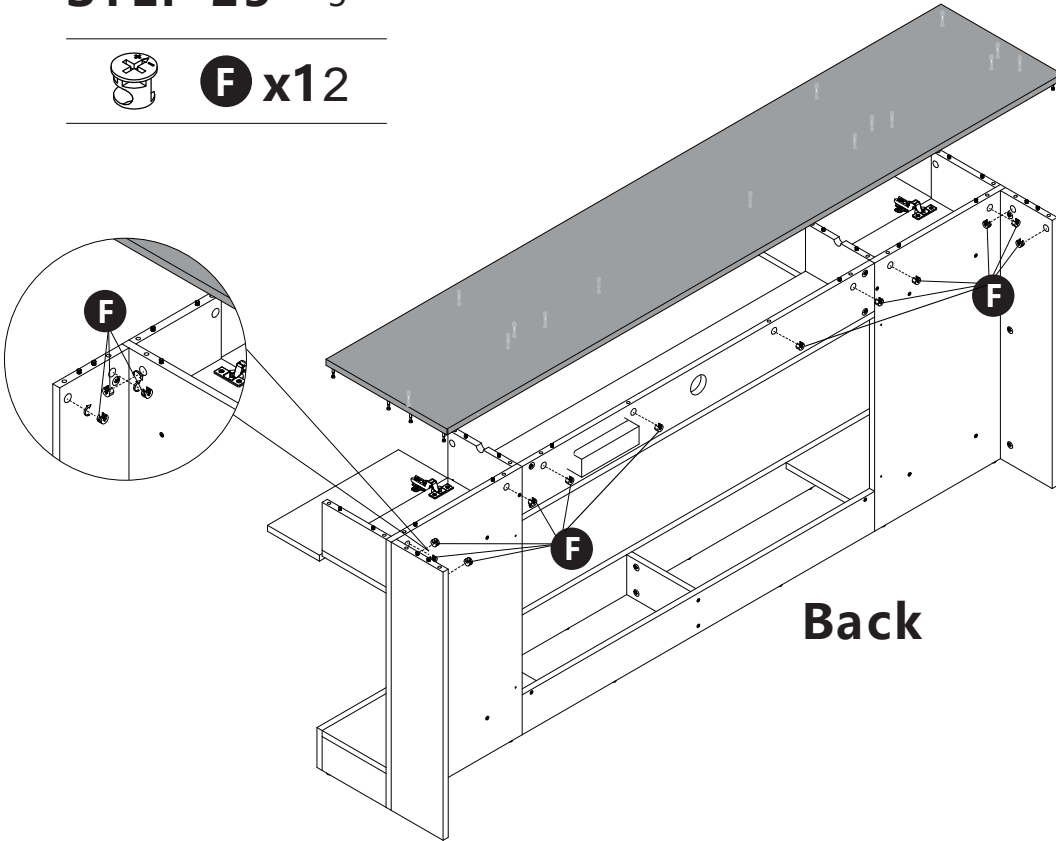
 **F** x8



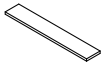
**STEP 25** Tighten all screws F on the back.



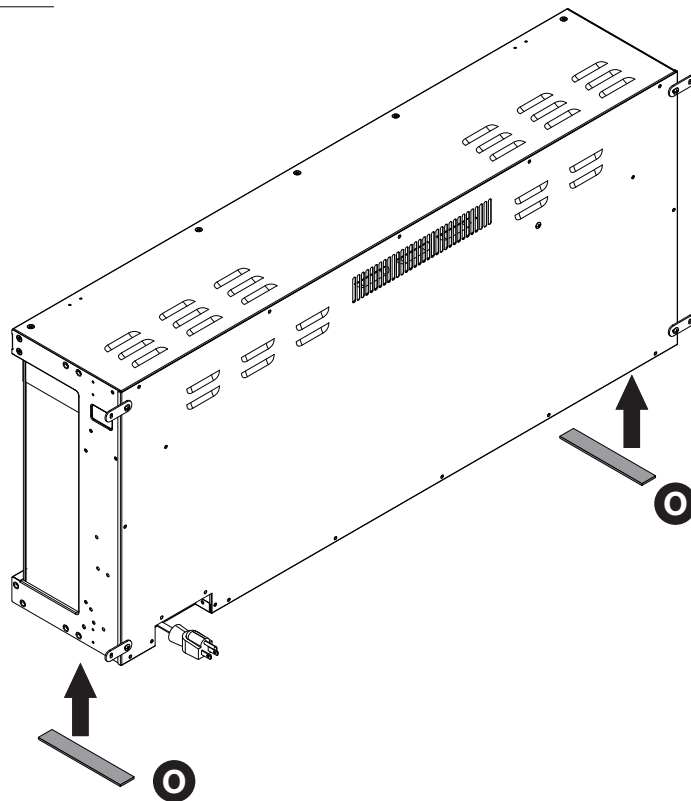
**F** x12



**STEP 26** Glue the O fittings to both sides of the fireplace base to avoid scratching the wood.

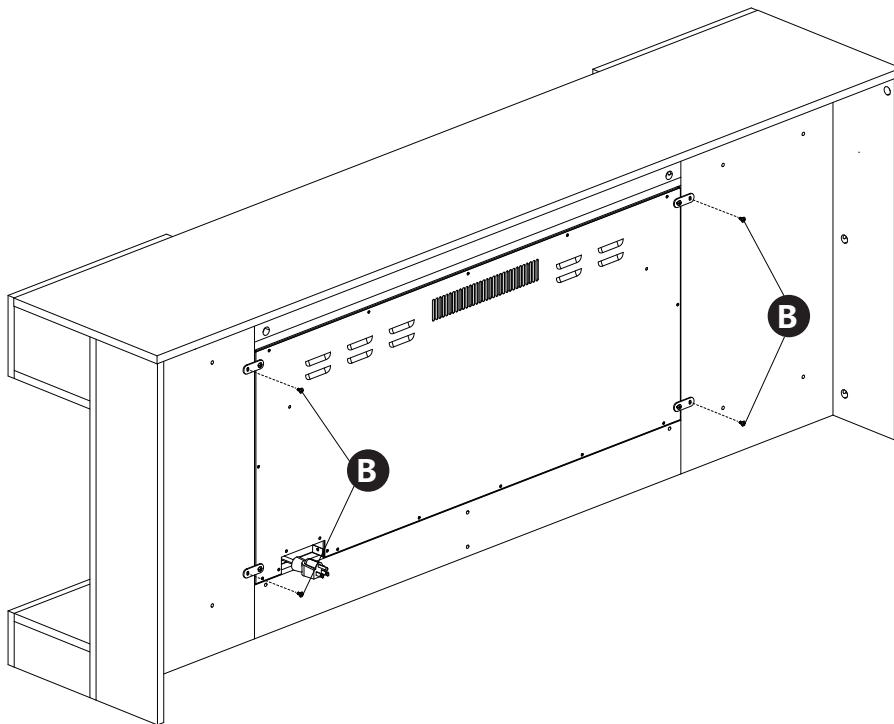
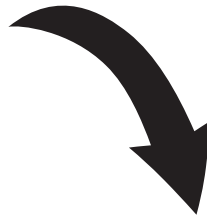
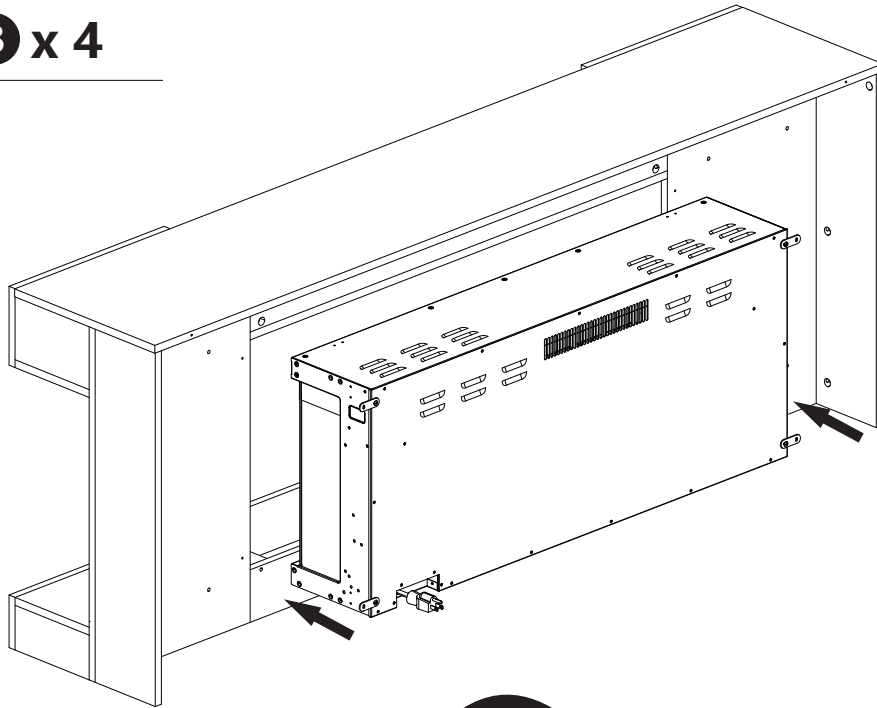


**O** x 2



STEP 27

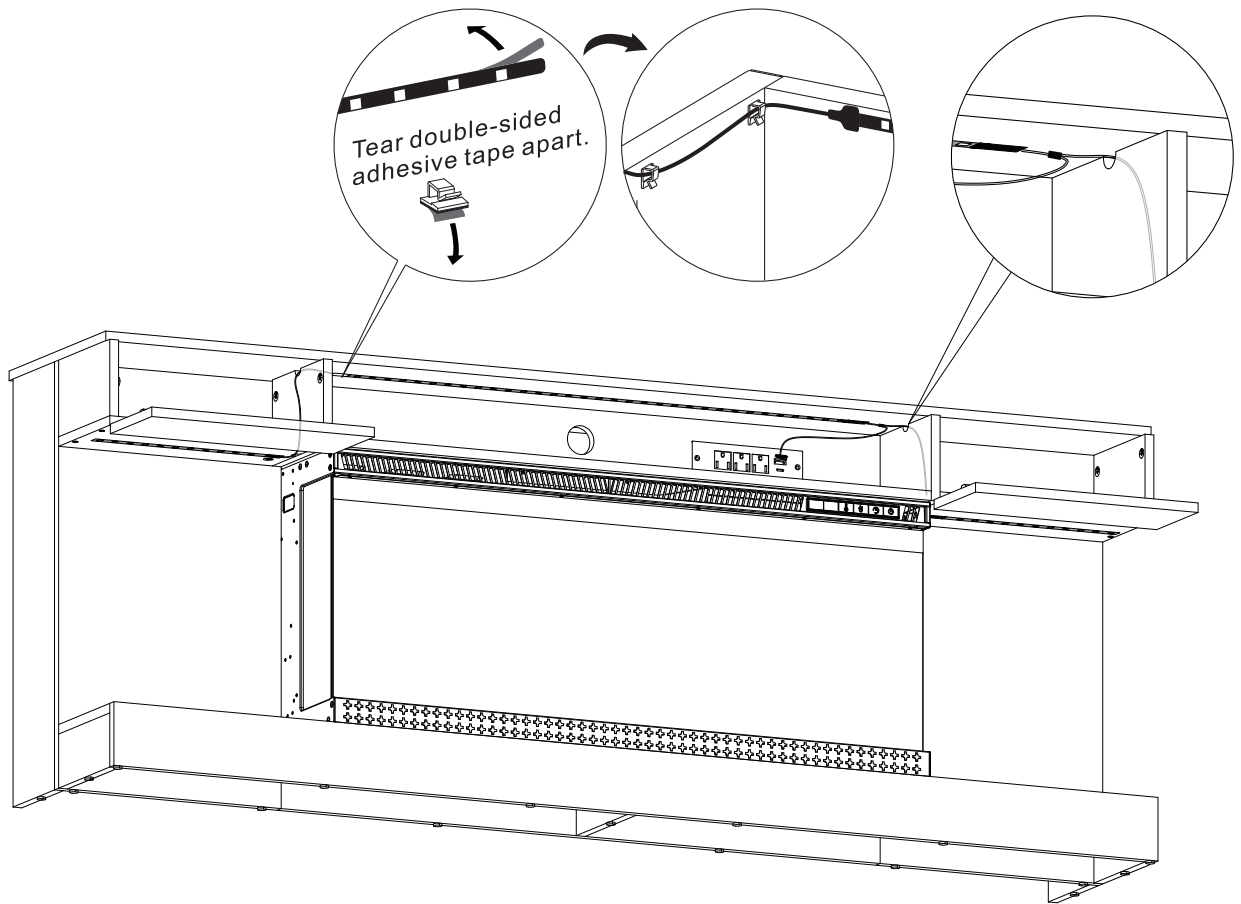
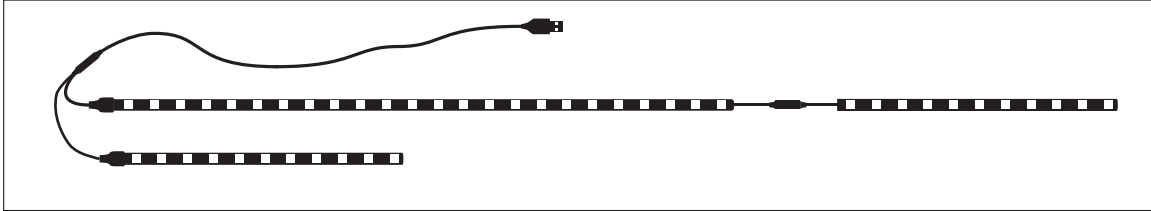
 **B** x 4



STEP 28



Note: Long side mounted on the left, short side on the right.



Front

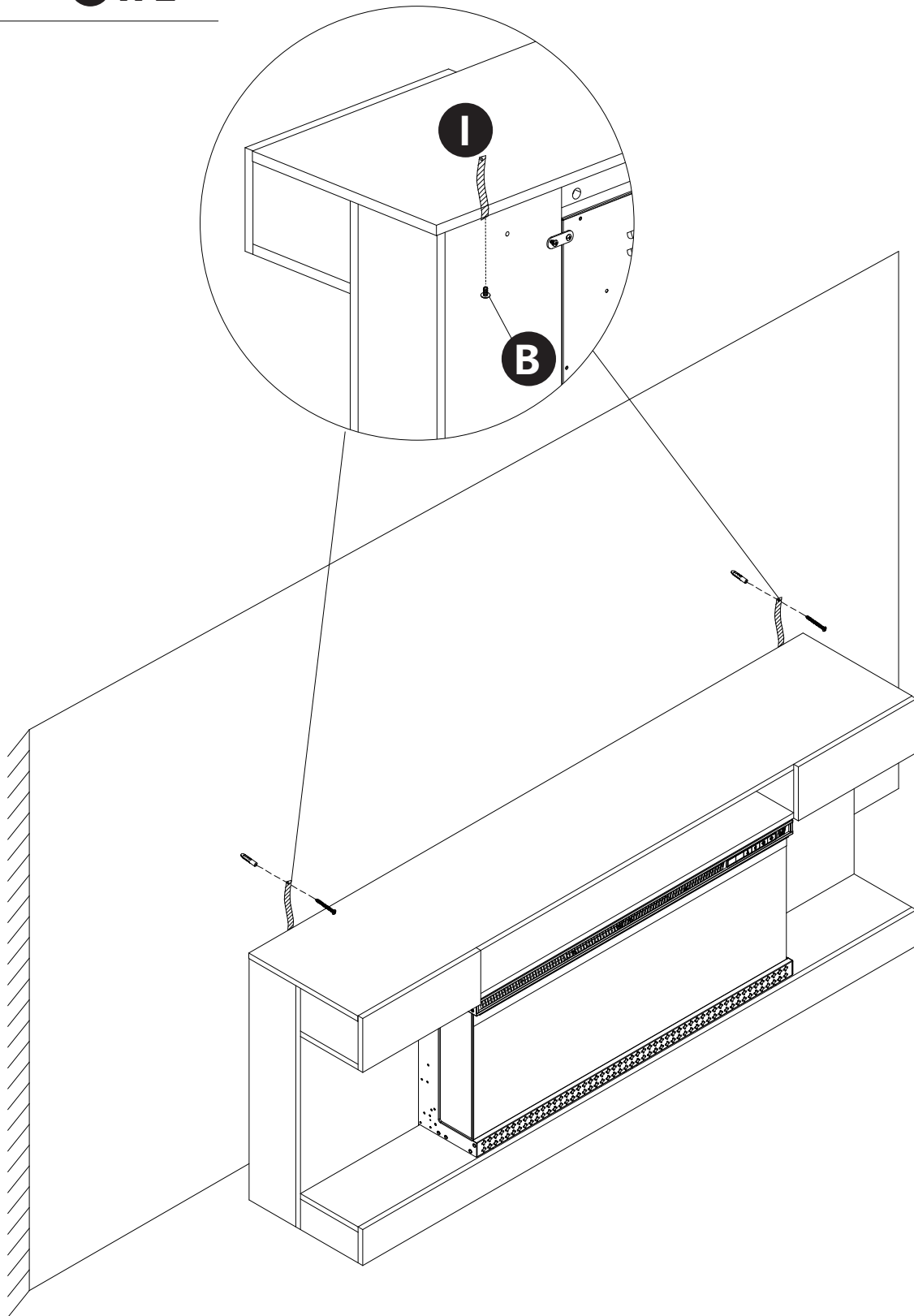
**STEP 29** First fix the anti-rewind tape on the TV Cabinet, and then fix it to the wall with expansion screws.



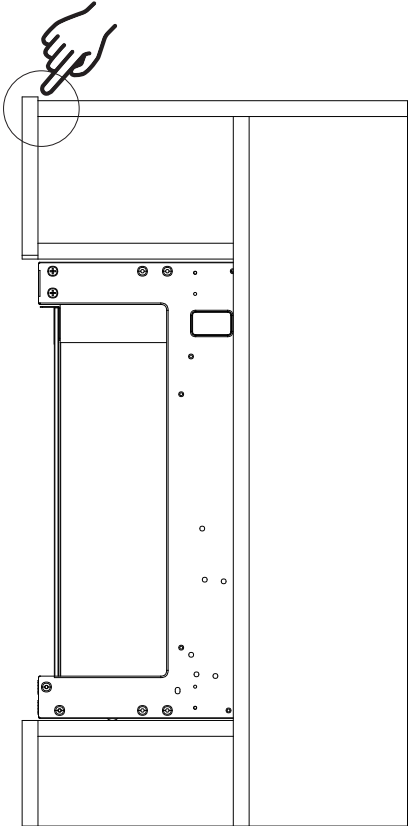
**I** x 2



**B** x 2



Uneven cabinet door



Adjust the screws of accessory J until the door is flat.

