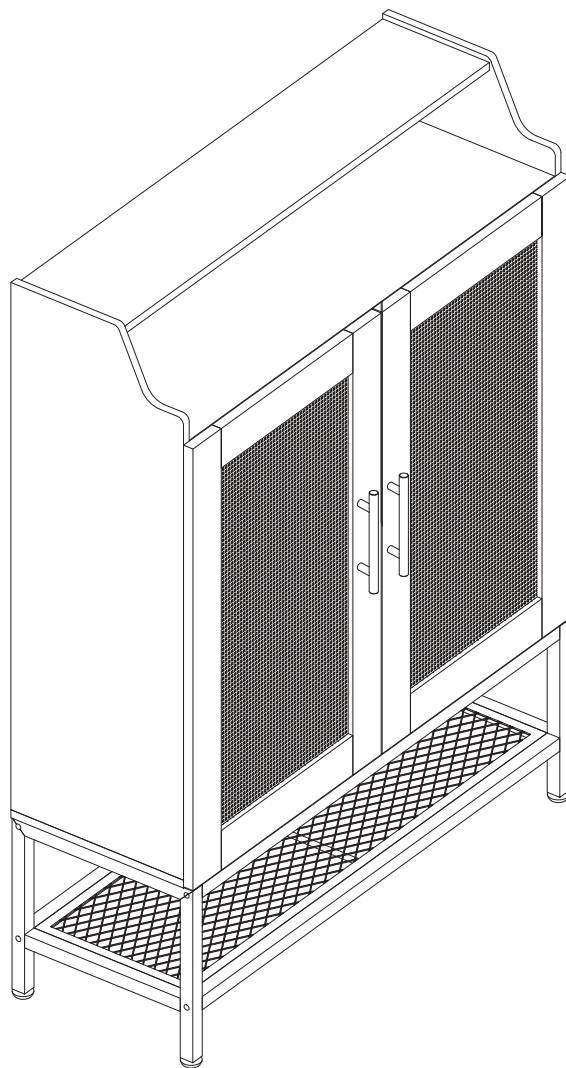
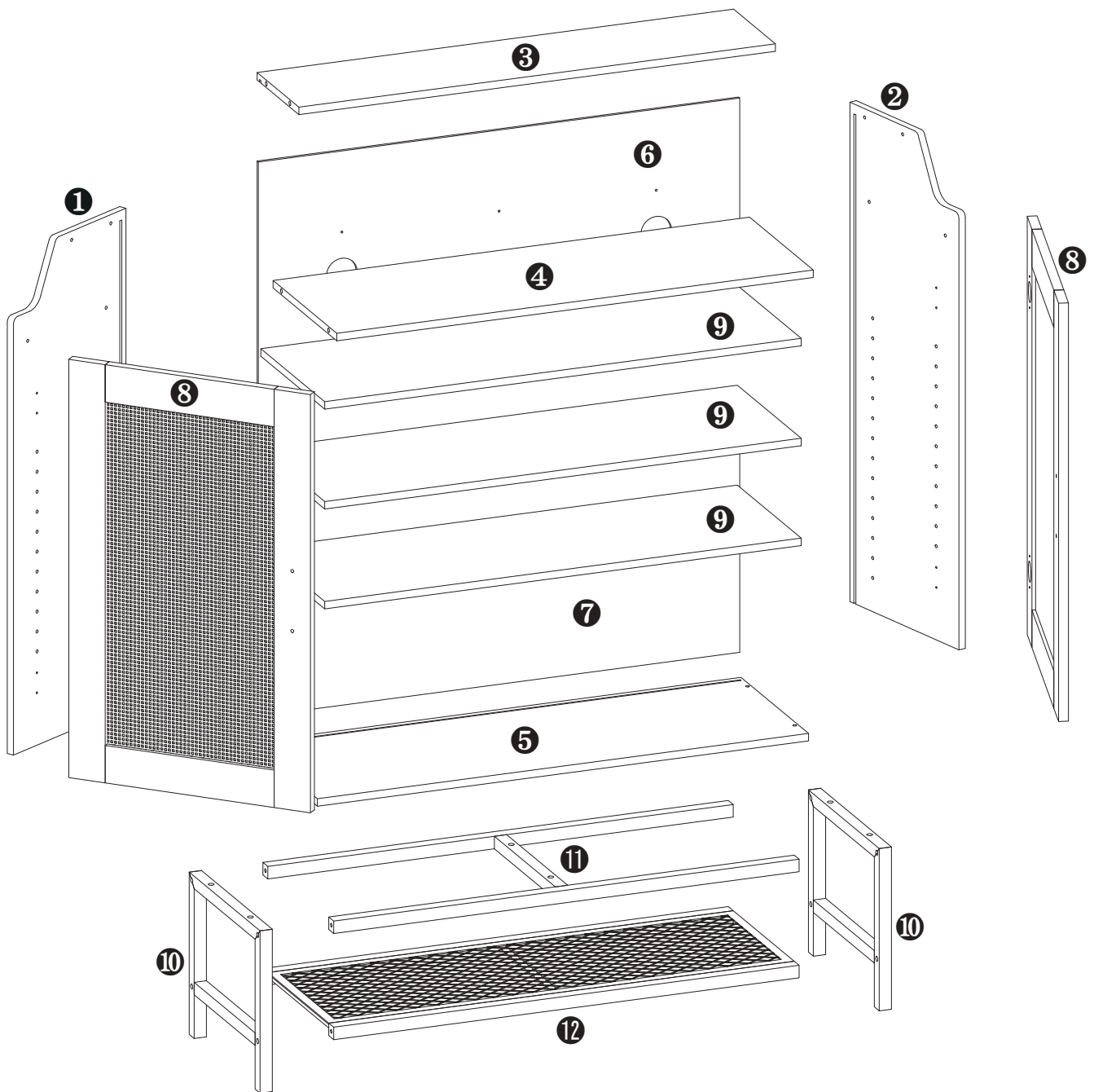


Shoes Cabinet Instruction Manual



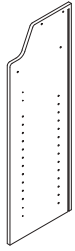
ASSEMBLY INSTRUCTION

Decomposition of components



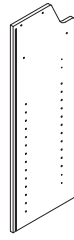
- 1、 To make sure you finish installation in the shortest time and easiest way, please strictly follow the steps of the instruction. If you have a helper, the installation will be certainly easier.
- 2、 Some parts of the shoes cabinet have sharp edges, so please be attentive to avoid scratches when installing;
- 3、 Due to the small size of some parts, please put them in a safe position when installing them to avoid accidental;
- 4、 We offer customers a free lifetime warranty. If you need help regarding product issues, after-sales service or other relevant problems, please contact us via the email provided on the cover.

1



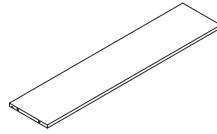
x1

2



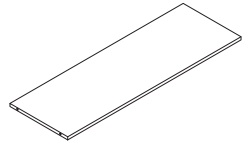
x1

3



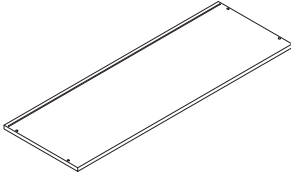
x1

4



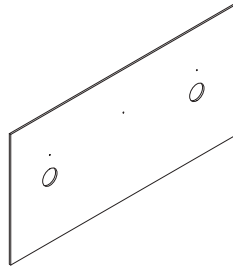
x1

5



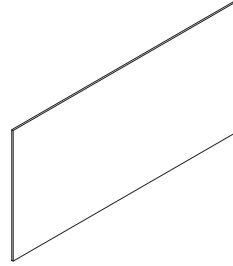
x1

6



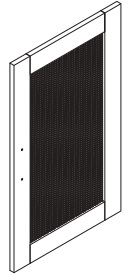
x1

7



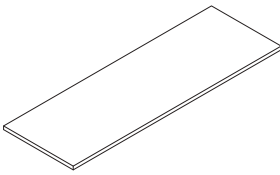
x1

8



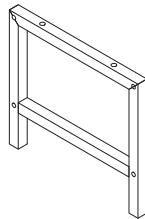
x2

9



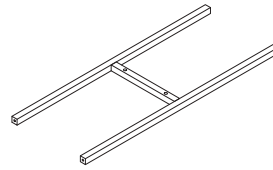
x3

10



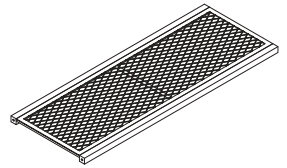
x2

11



x1

12



x1

A



x8

B



x8

C



x35

D



x4

E



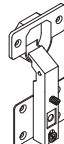
x8

F



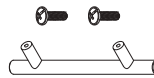
x6

G



x4

H



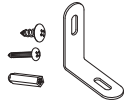
x2

I



x12

J



x2

K



x1

L



x4

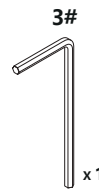
M



x8

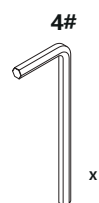
Installation tools

3#

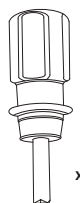


x1

4#

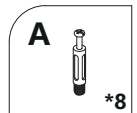
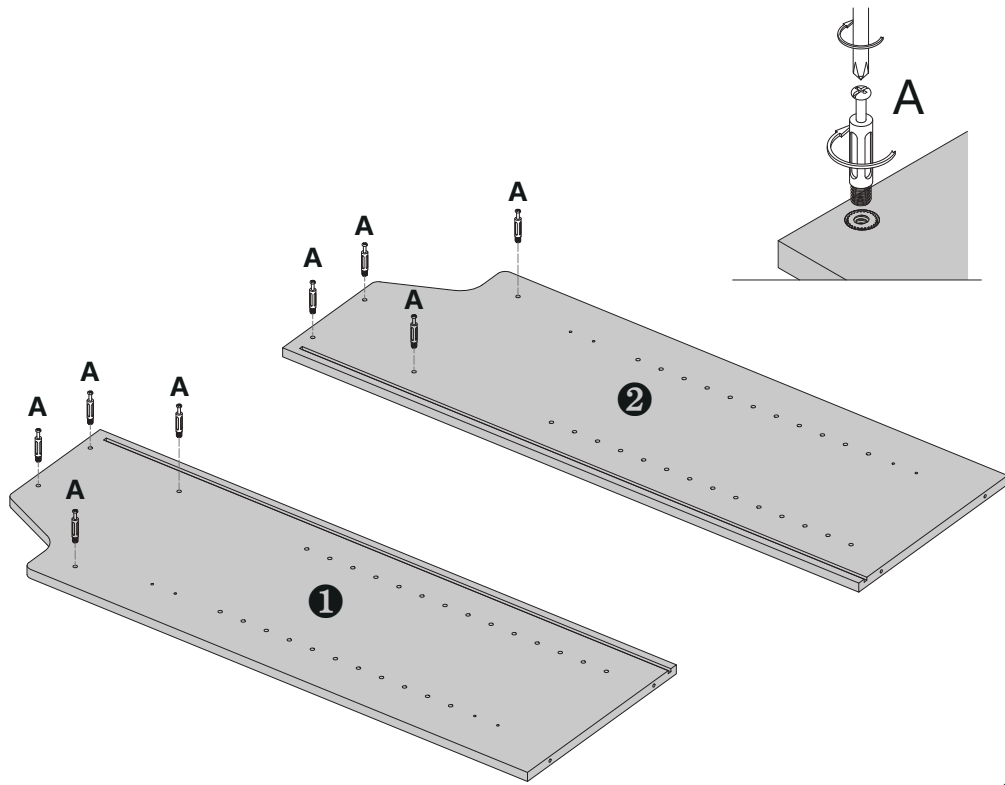


x1

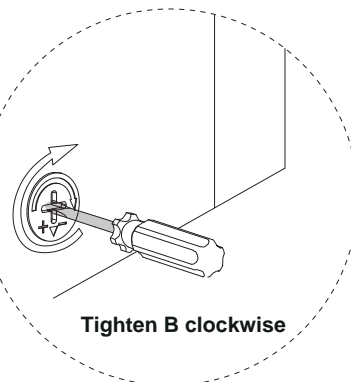
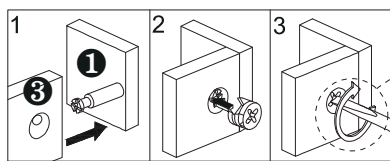
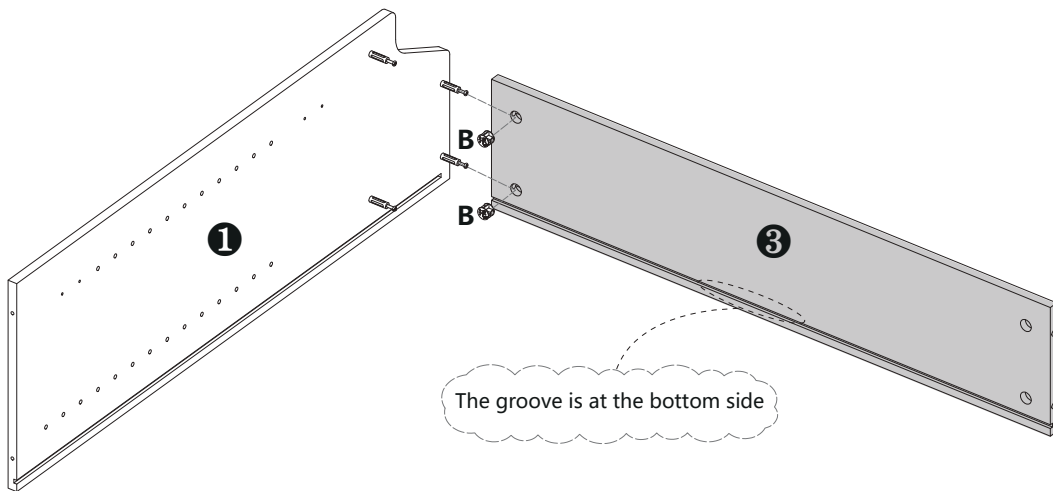


x1

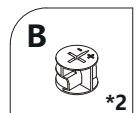
STEP 1



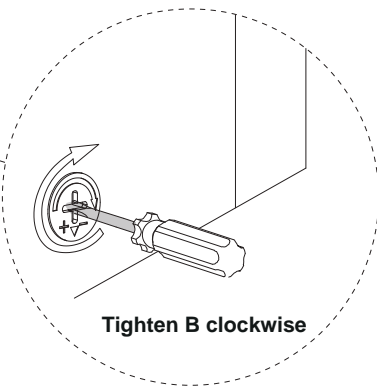
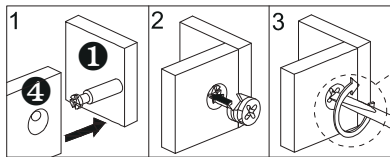
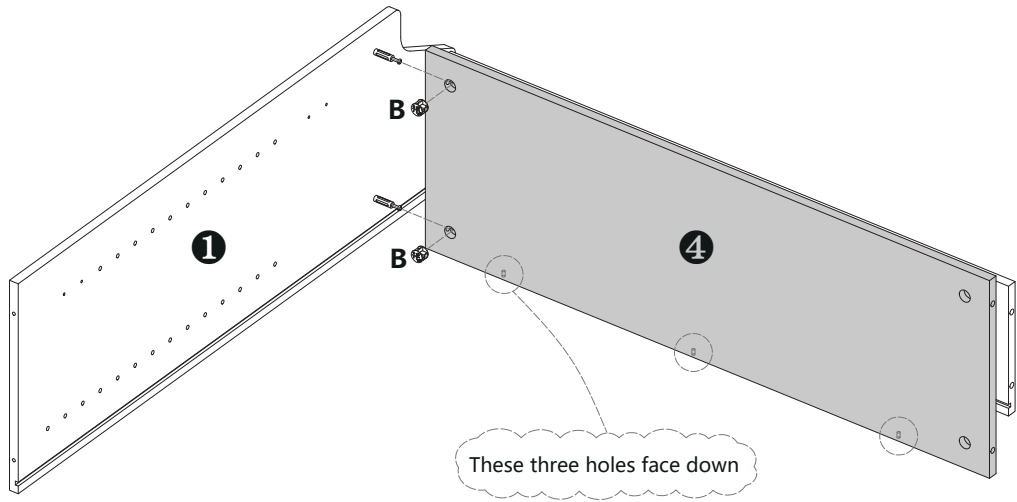
STEP 2



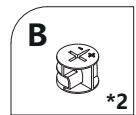
Tighten B clockwise



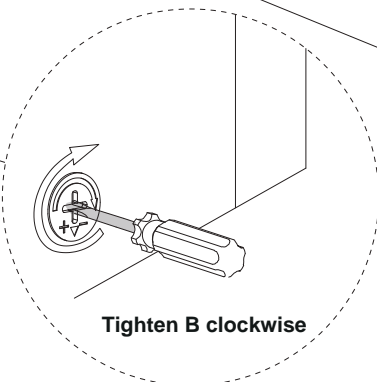
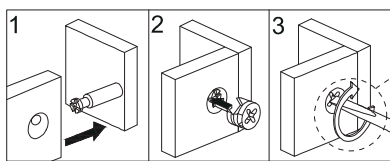
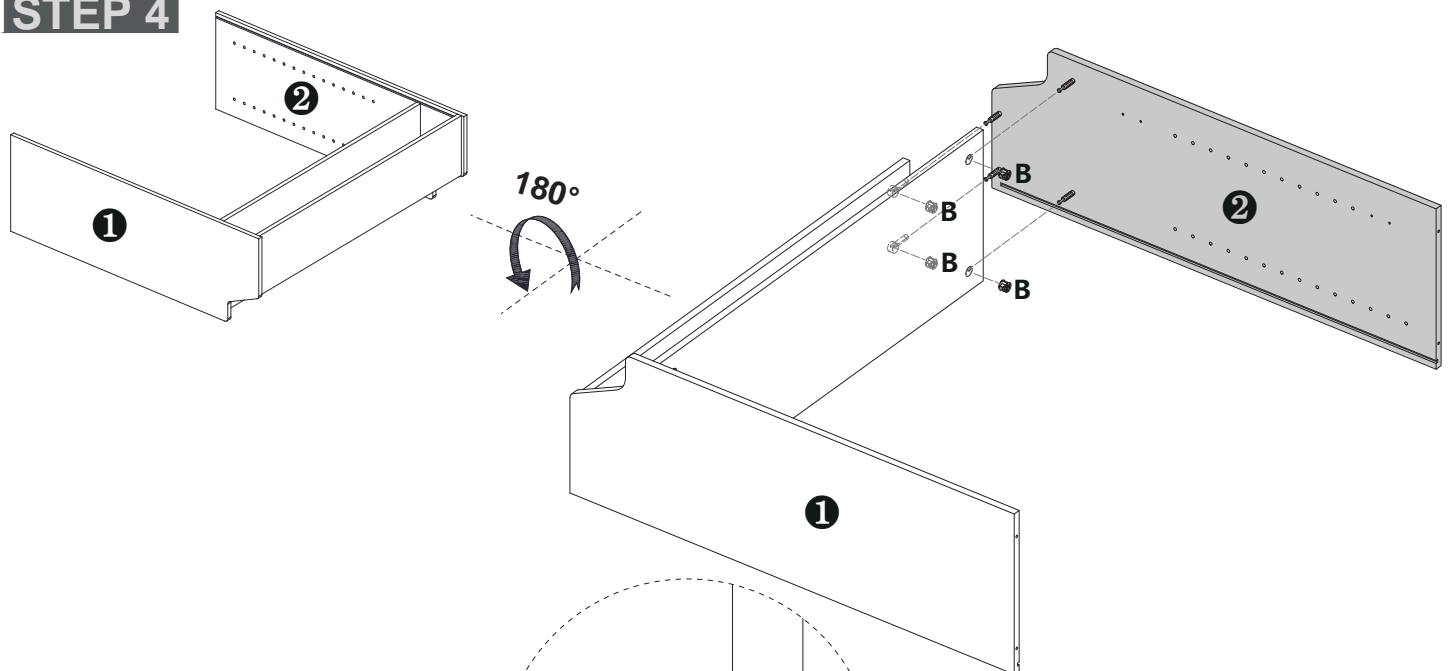
STEP 3



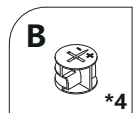
Tighten B clockwise



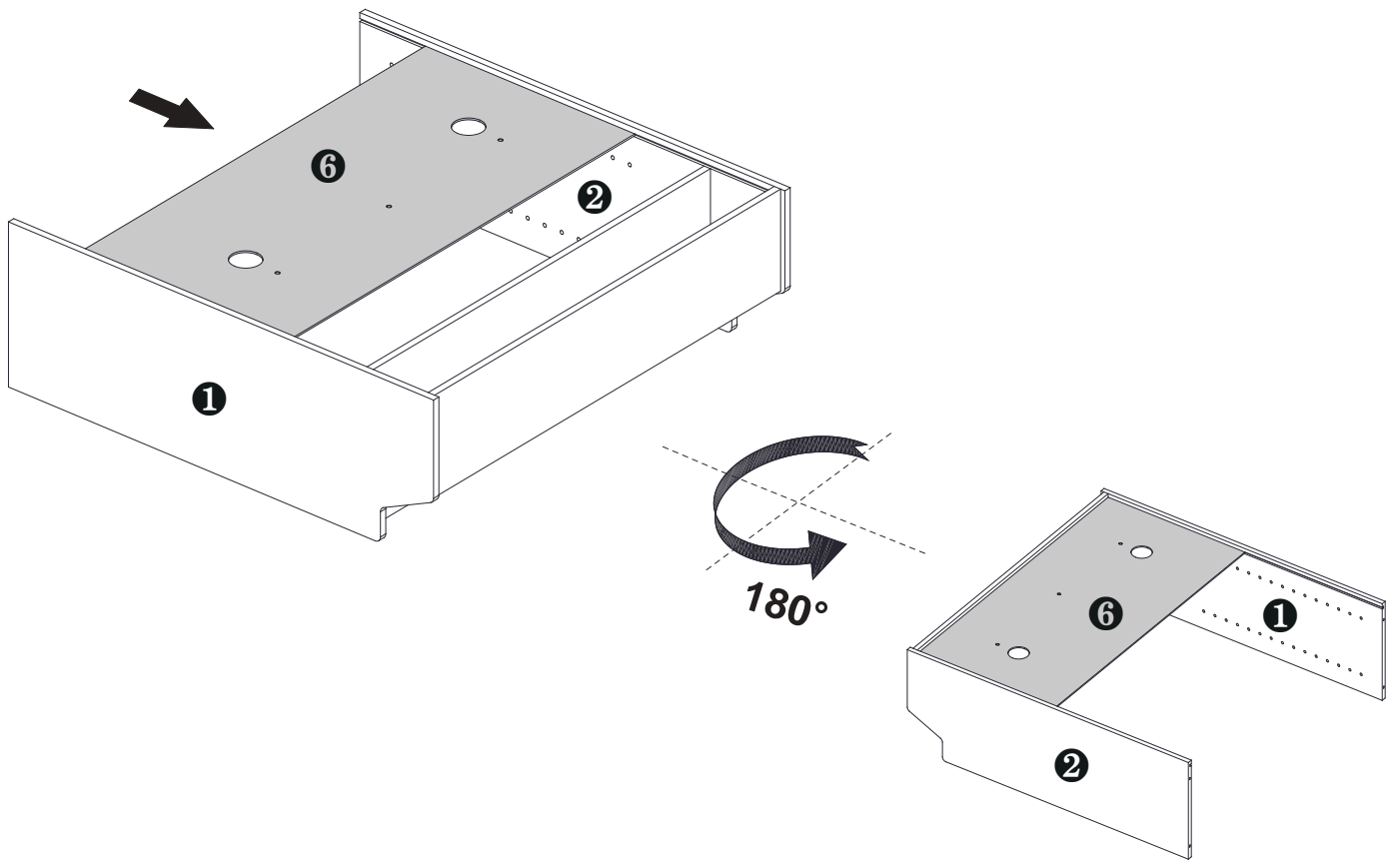
STEP 4



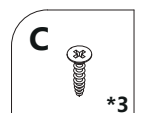
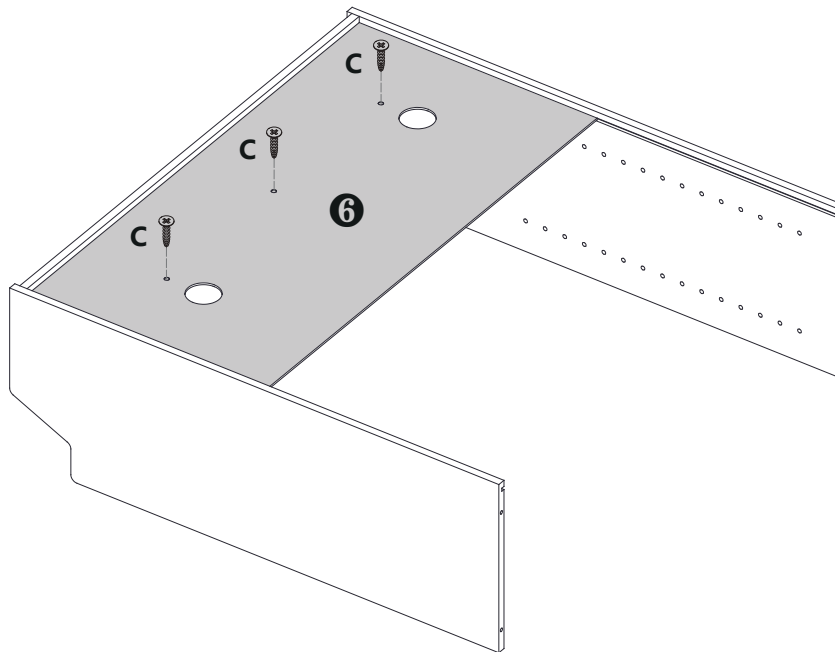
Tighten B clockwise



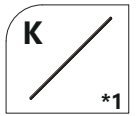
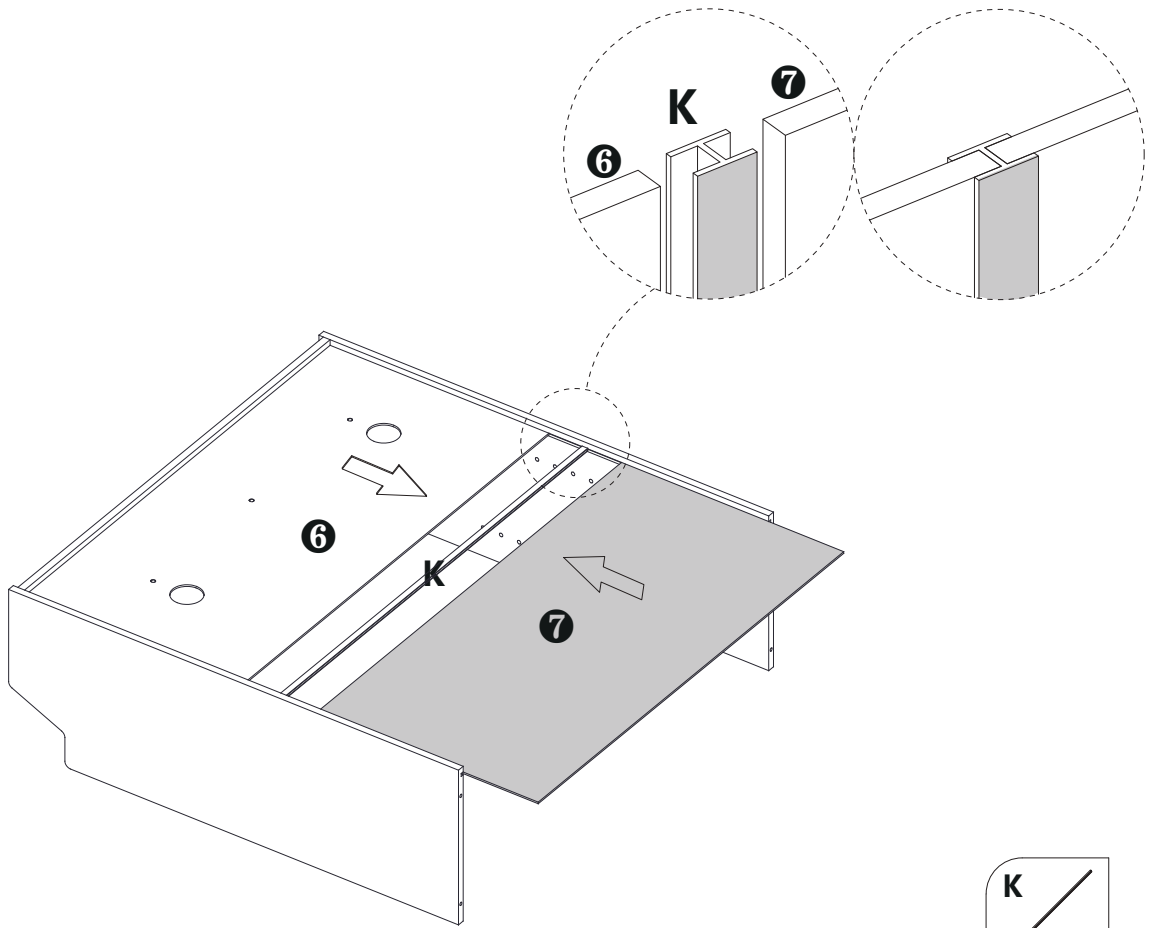
STEP 5



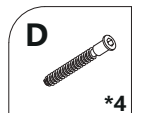
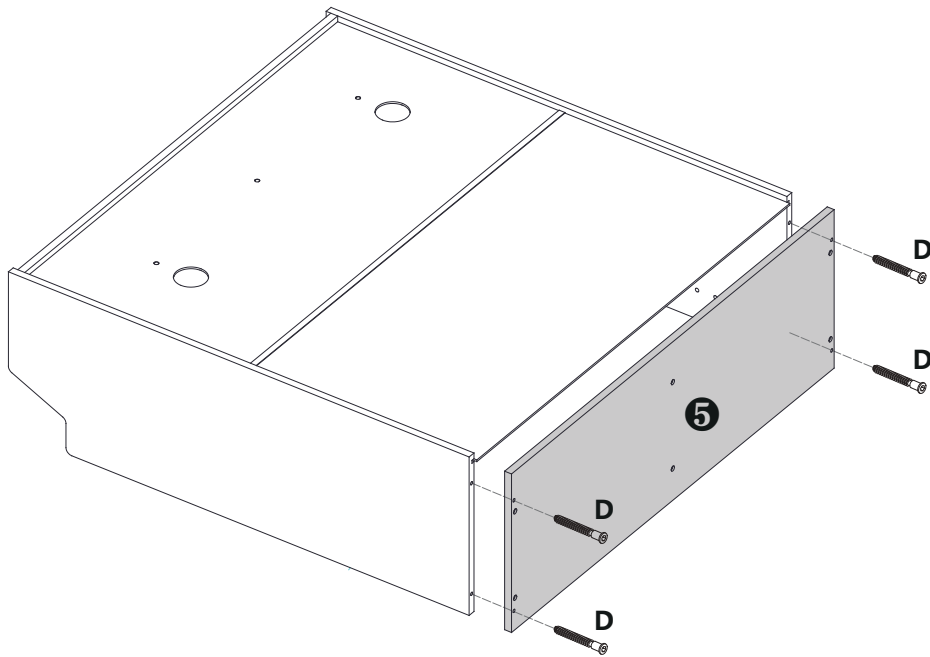
STEP 6



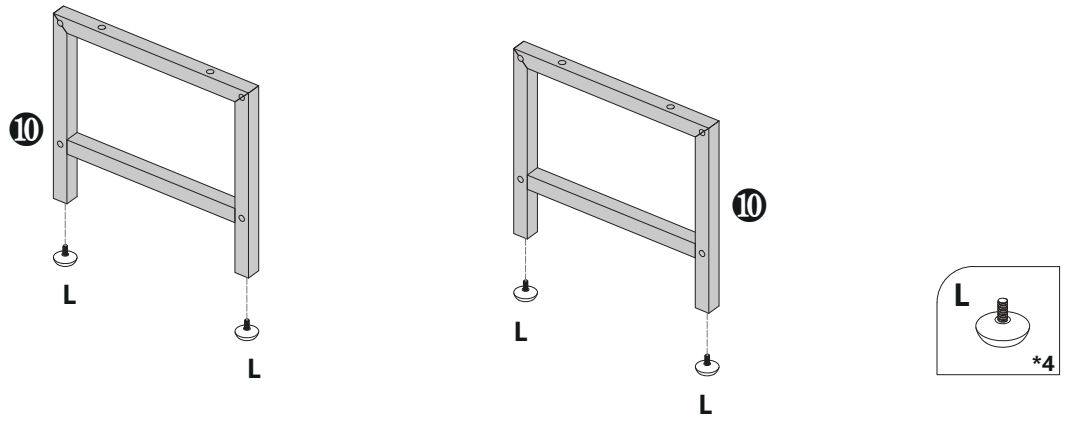
STEP 7



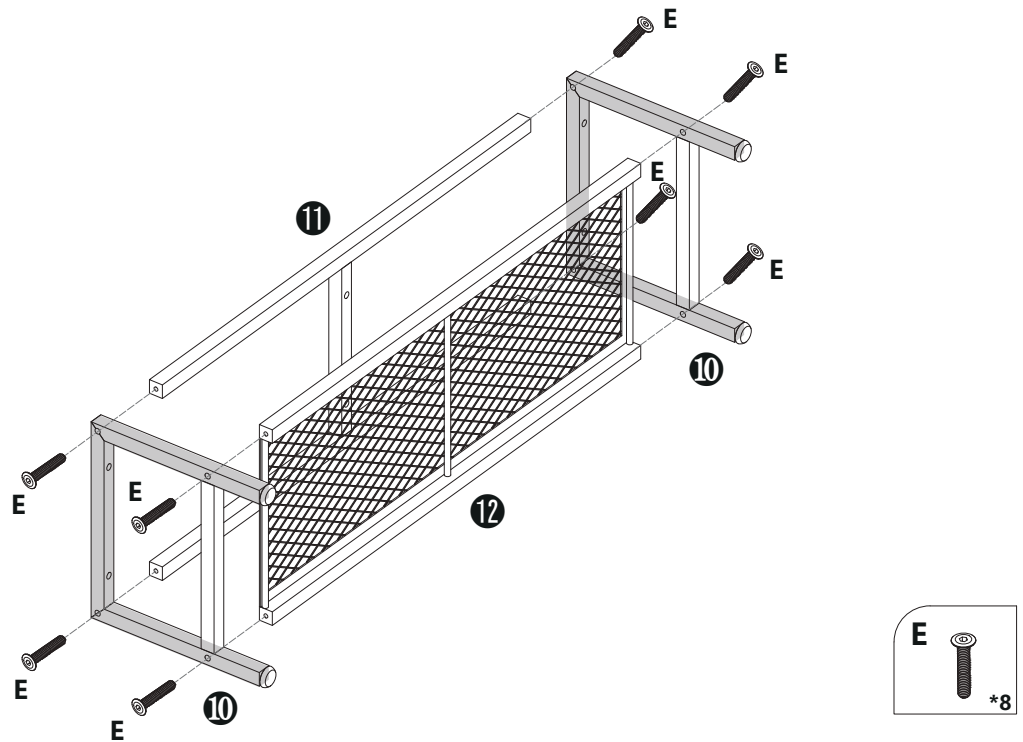
STEP 8



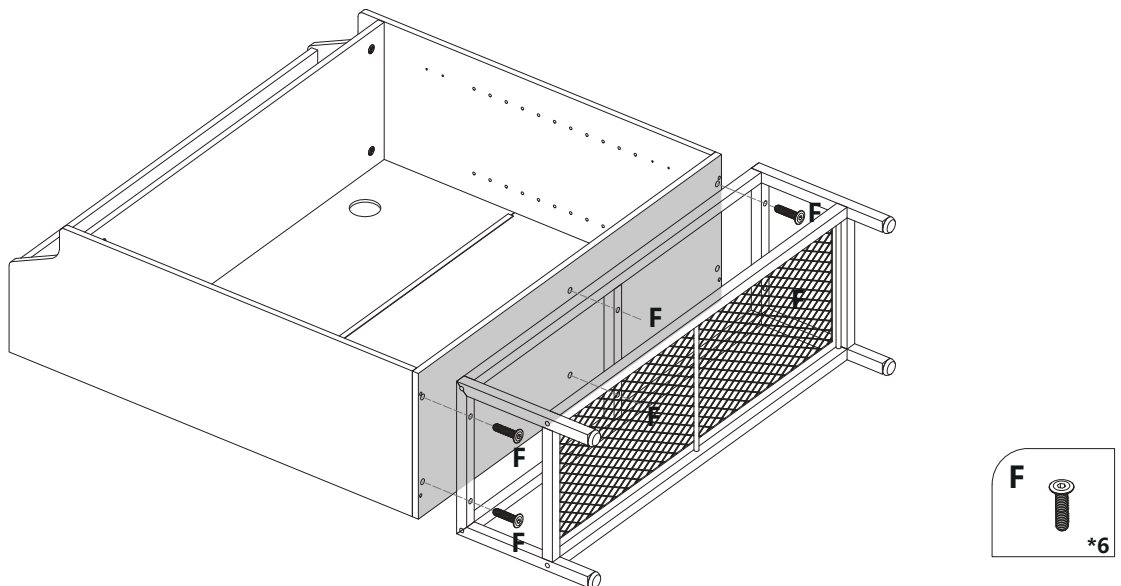
STEP 9



STEP 10

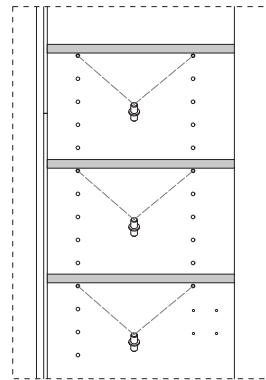
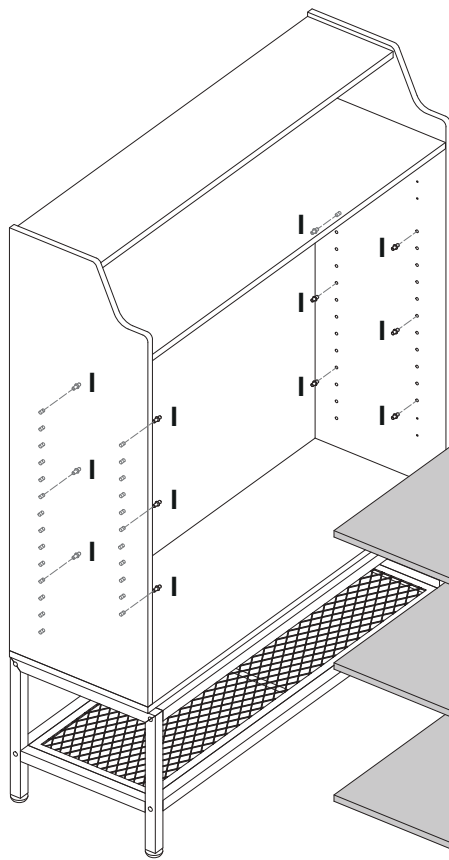


STEP 11

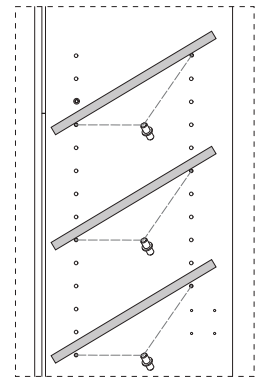


Position ⑨ as your needs

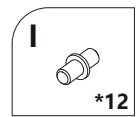
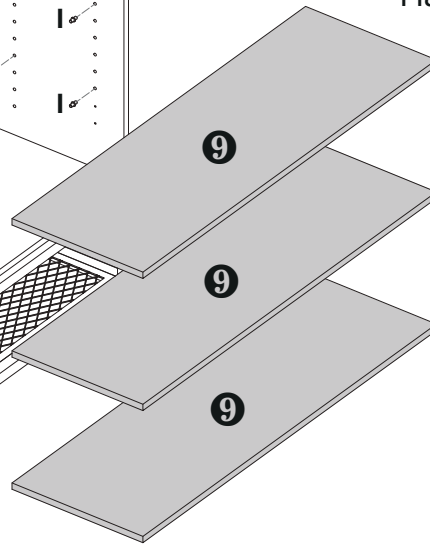
STEP 12



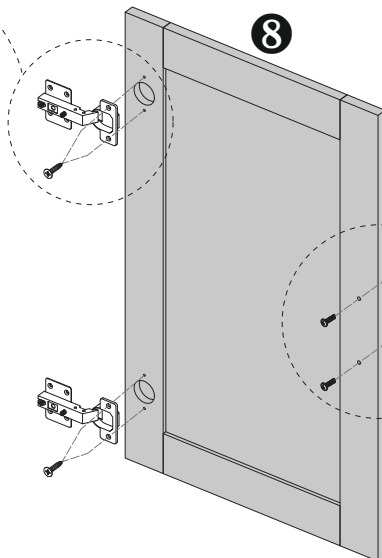
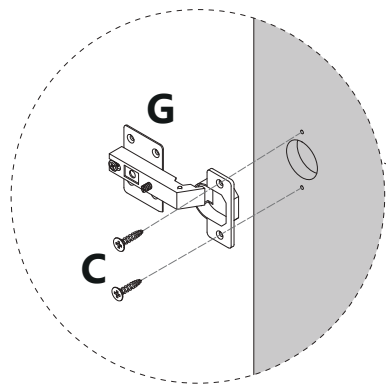
Flat



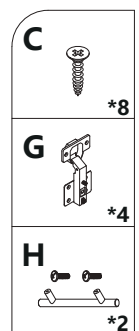
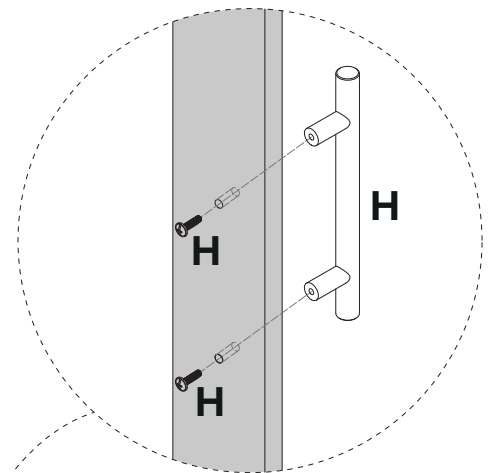
Tilt



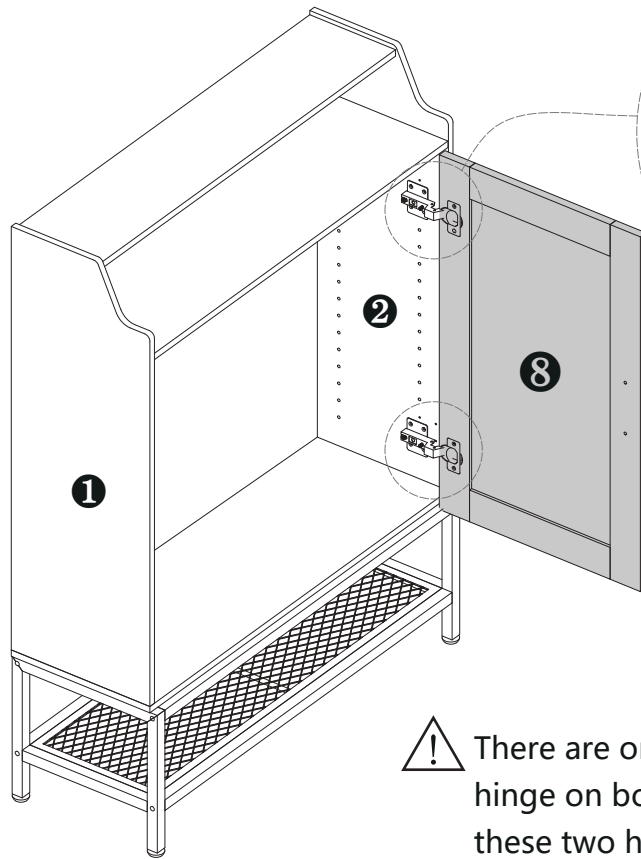
STEP 13




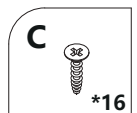
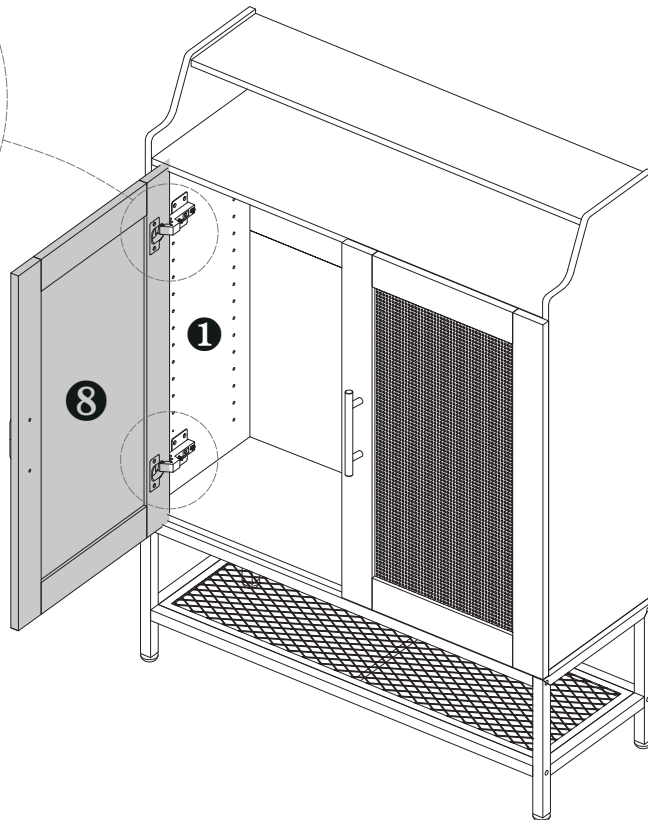
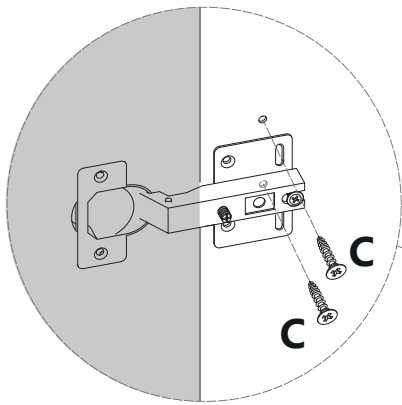
*2



STEP 14

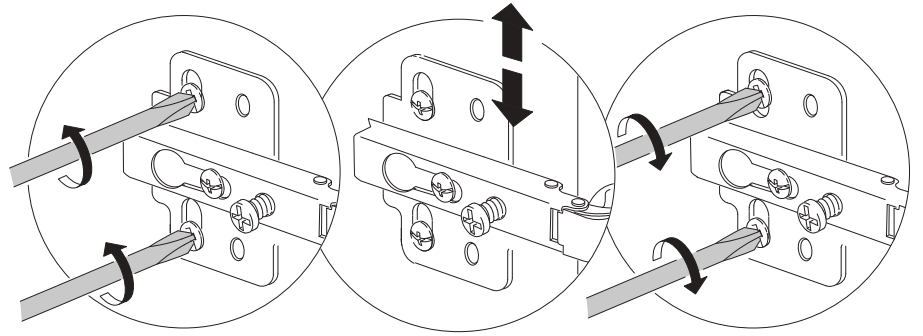
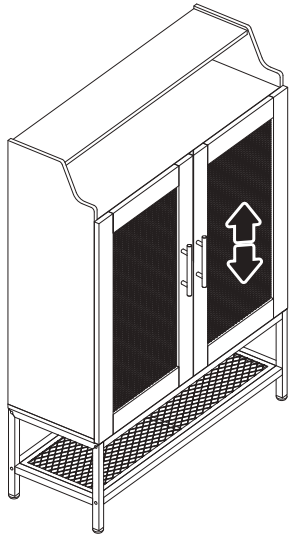


 There are only two holes for each door hinge on board ② and ①. Please secure these two holes first and adjust the door position according to STEP15. Finally, reinforce the remaining holes as your needs.

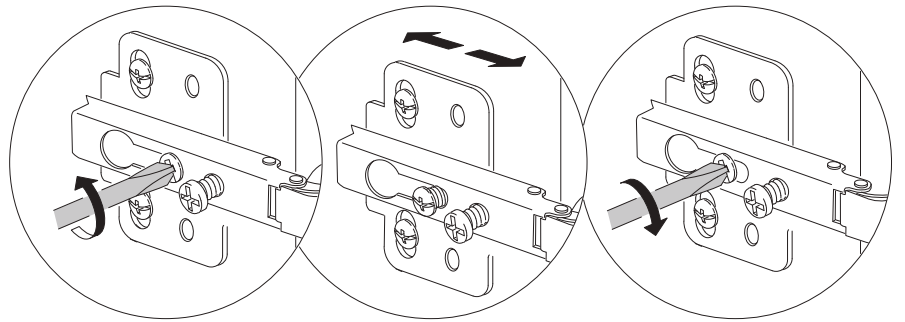
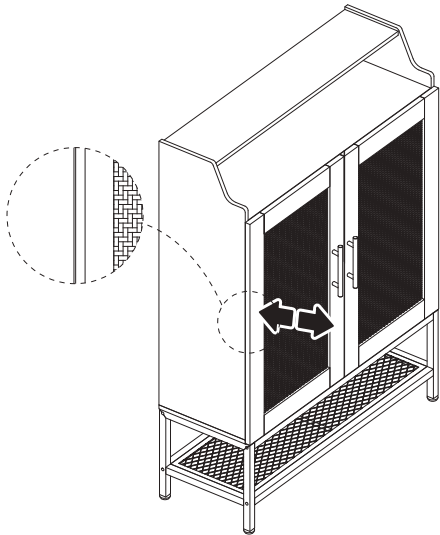


STEP 15

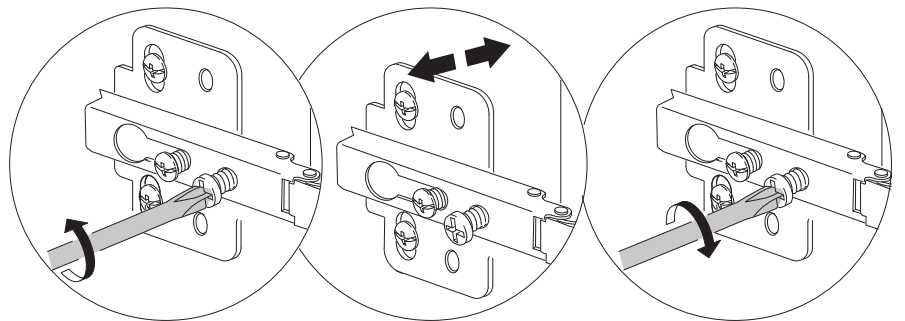
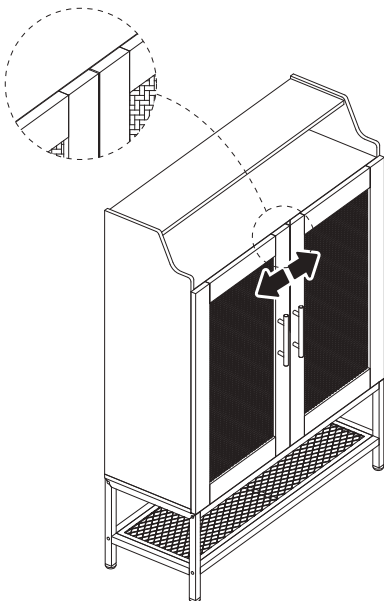
Adjust the hinge as your needs for doors position



Adjust door height

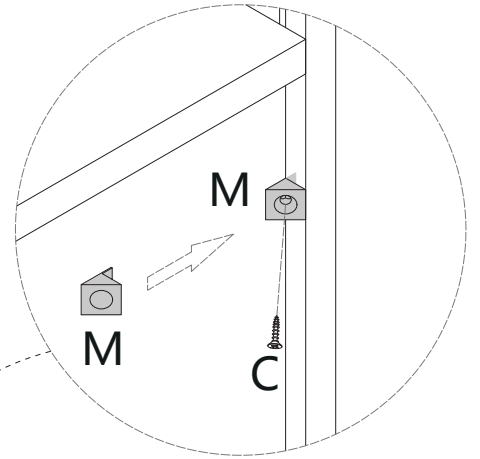
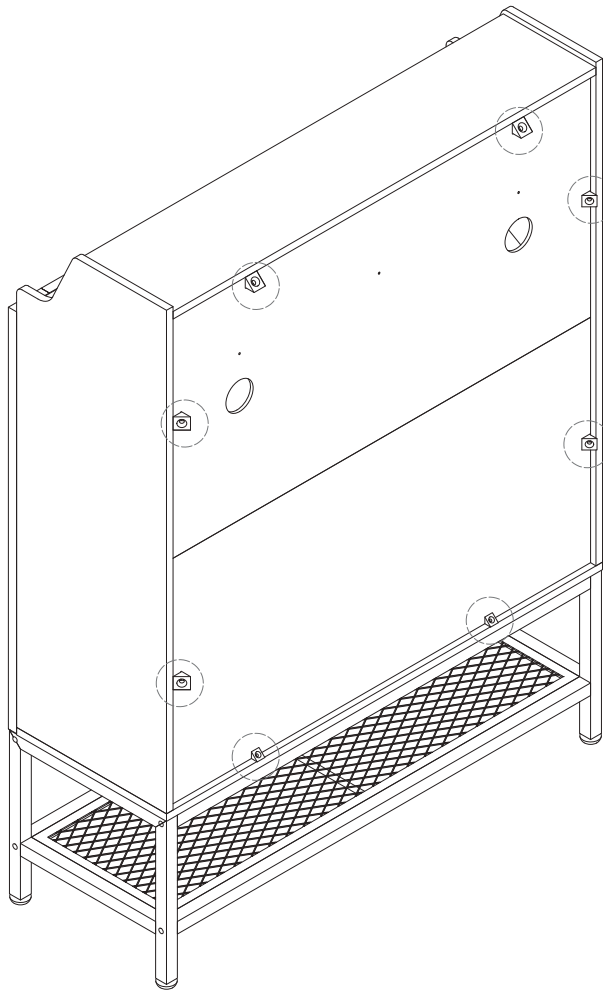


Adjust door depth

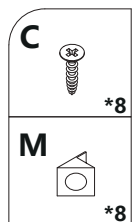


Adjust door length

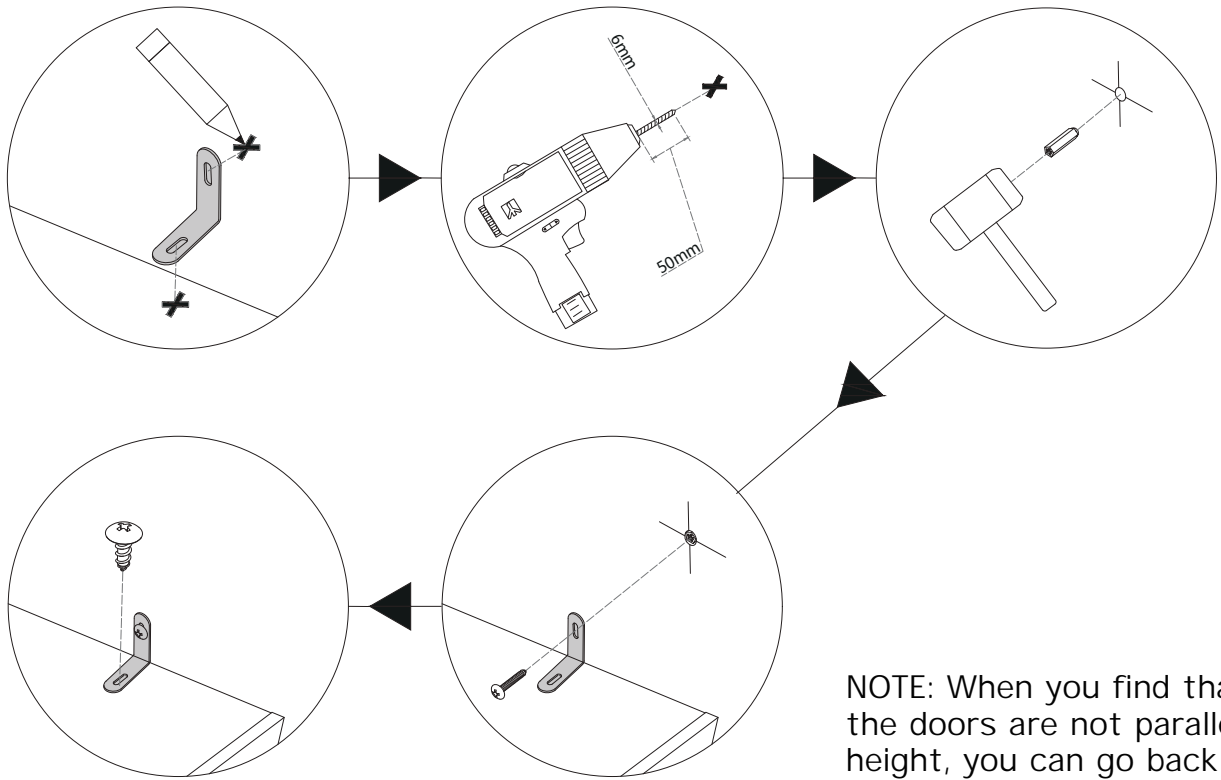
STEP 16



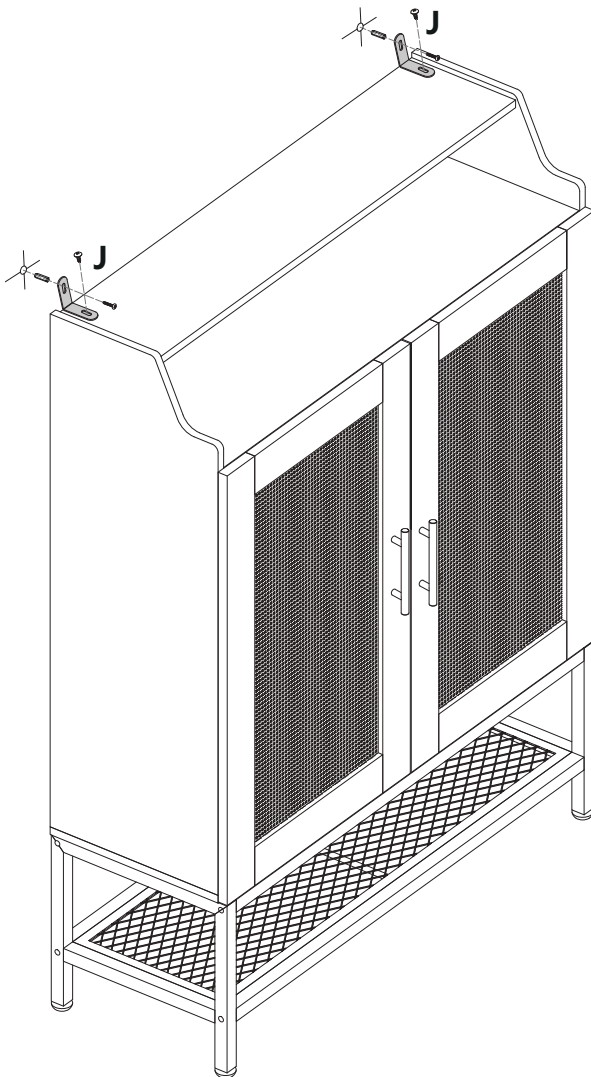
Use C and M Reinforce the Board



STEP 17



NOTE: When you find that the doors are not parallel in height, you can go back to step 15 to adjust the doors according to the instruction. When you still can't get the doors to be parallel, you can try placing foot pads or some items under the foot of the door cabinet to adjust the height so that the doors are parallel.



Attention: For safety and stability, we suggest you secure the anti-tip accessories to the wall to prevent tipping, injury, and property damage.

