

# ASSEMBLY INSTRUCTIONS

---

DJ1071-160CM



## ⚠ SAFETY TIPS:

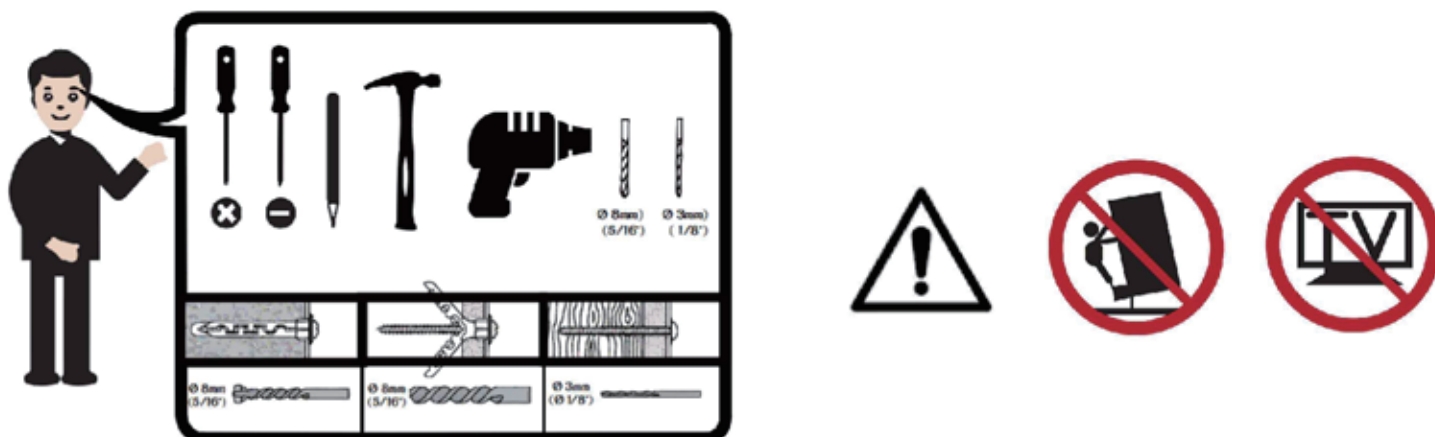
Static charge may cause dust on foam-clean with a dry or damp cloth. Small foam strands may be present-handle gently and dispose of properly. Do not burn or incinerate. Check local recycling guideline.

Have an assembly question or need a replacement part?  
Please contact with our customer service.

# Warnings

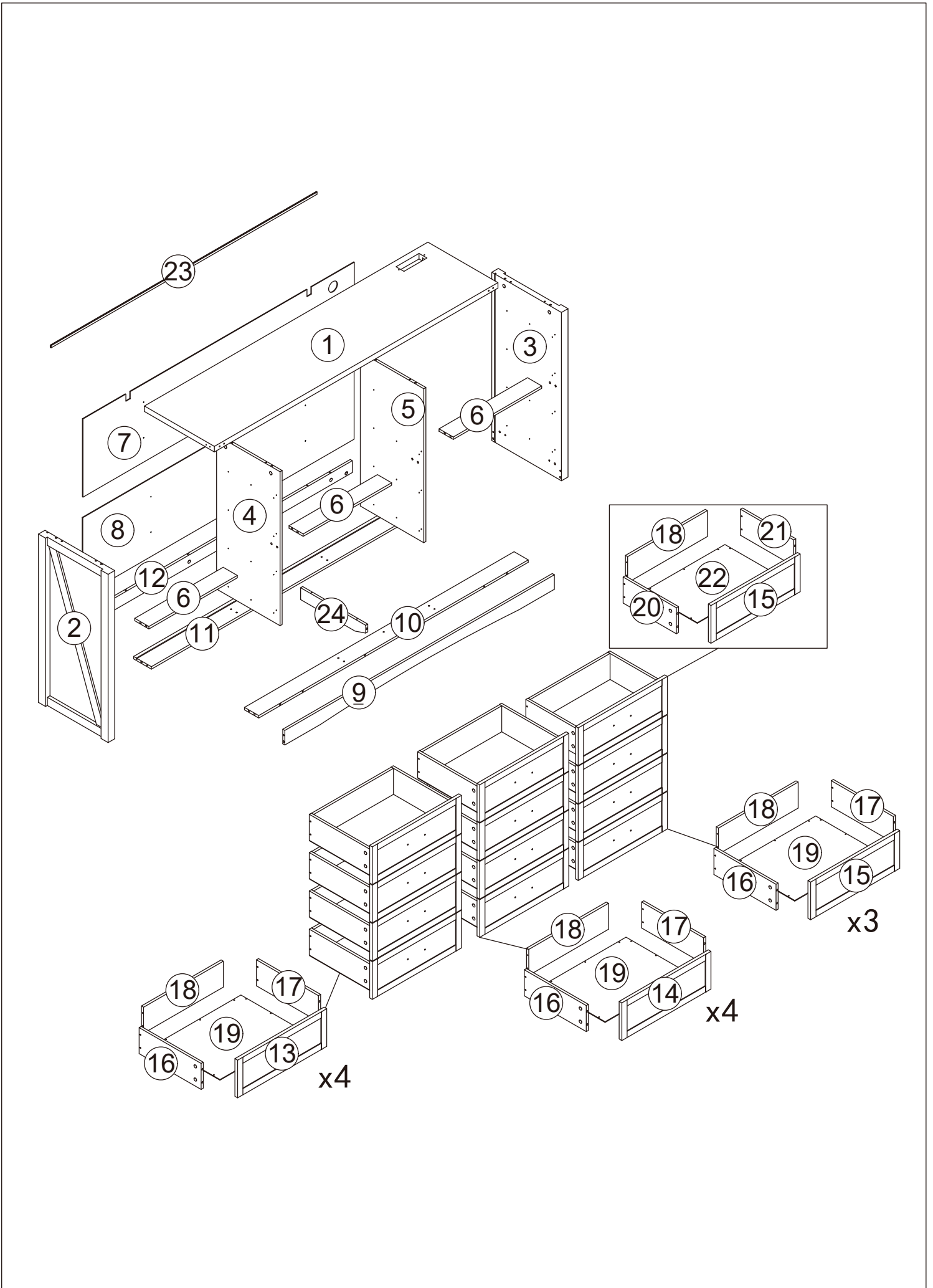
Important reminder:

- ⚠ Please sort and check all accessories before assembly.
- ⚠ Place the product on an empty cardboard box or on carpet to prevent scratches.
- ⚠ Please use proper tools for assembly. Using an electric screwdriver can accelerate the assembly speed, but please do not overtighten the screws.
- ⚠ Please follow the assembly steps and do not skip any of them.
- ⚠ If possible, please find a partner to help you with assembly, which can accelerate assembly.
- ⚠ Keep all small parts of this product away from children. They may cause serious injury.
- ⚠ We hope you can retighten the screws 2 weeks after assembly, and check the tightening procedure of the screws every 3 months.  
If you meet any difficulty, our friendly customer team are always ready to help you.

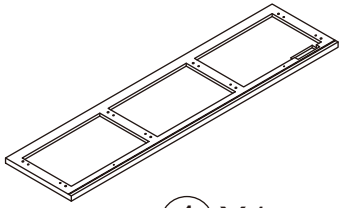


Warning: Overturning the product can cause serious crushing injuries. We have a wall connection device attached, please use it to hold the furniture following assembly instructions. Do not change the structure of this product in any way. Our products have been tested and meet any 1 sales specific security measures. We won't be responsible for any modifications, which may cause significant security risks.

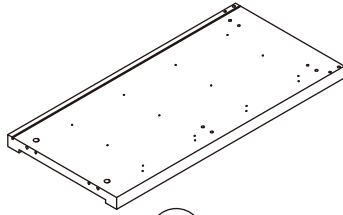
# Explosion Diagram



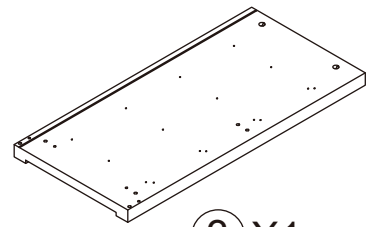
# Parts List



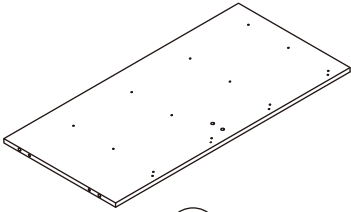
① X1



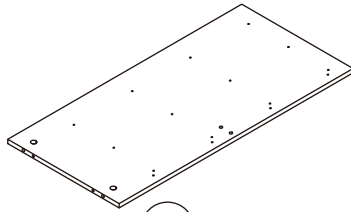
② X1



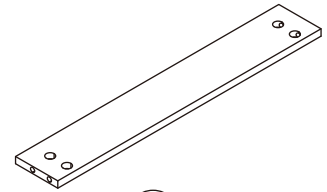
③ X1



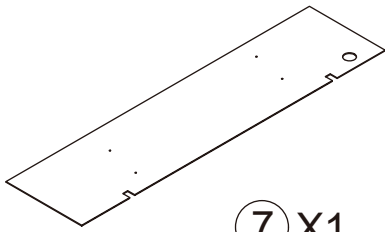
④ X1



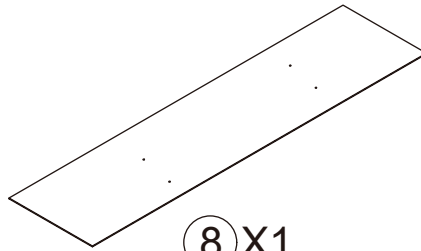
⑤ X1



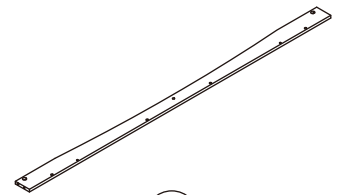
⑥ X3



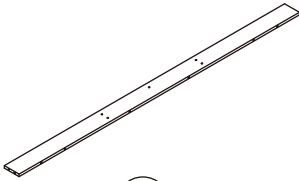
⑦ X1



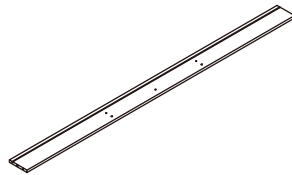
⑧ X1



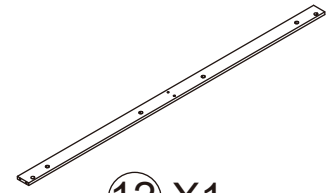
⑨ X1



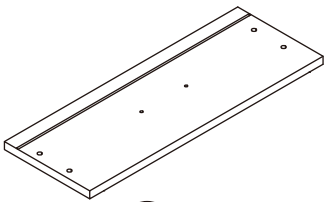
⑩ X1



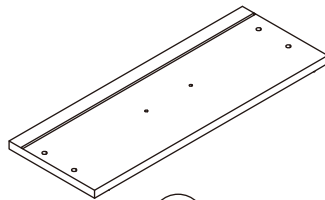
⑪ X1



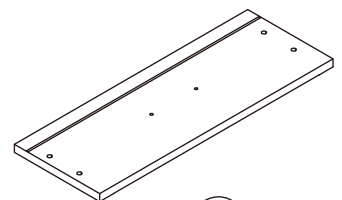
⑫ X1



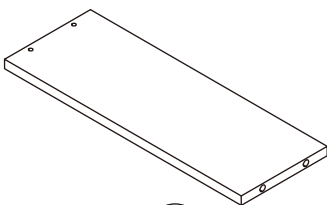
⑬ X4



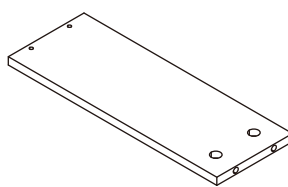
⑭ X4



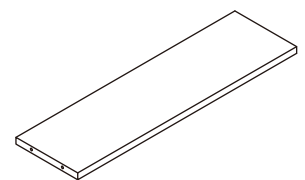
⑮ X4



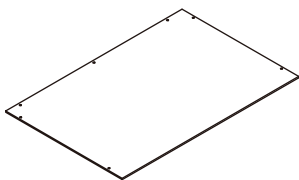
⑯ X11



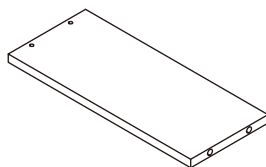
⑰ X11



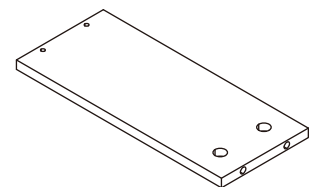
⑱ X12



⑲ X11

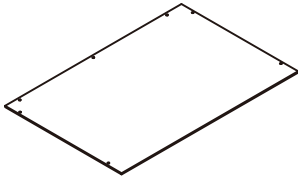


⑳ X1

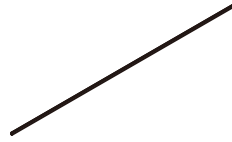


㉑ X1

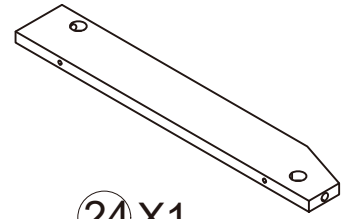
# Parts List



②② X1

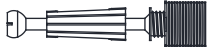



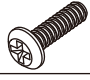






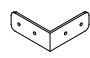










②③ X1







②④ X1

## Hardware List

No.	Code	Diagram	Description	Quantity	Spare
1	<b>A1</b>			86	2
2	<b>A2</b>		Ø15 x 9.5 mm	86	2
3	<b>B1</b>		Ø5 x 40 mm	54	2
4	<b>B2</b>		Ø3.5 x 12 mm	94	2
5	<b>B3</b>		M4.0x 6 mm	24	2
6	<b>B4</b>		Ø3.5 x 12 mm	8	2
7	<b>B5</b>		Ø3.5 x 14 mm	106	2
8	<b>B6</b>		Ø3.5 x 12 mm	2	
9	<b>B7</b>		Ø3.5 x 14 mm	8	2
10	<b>C1</b>		Ø6 x 30 mm	25	2
11	<b>C2</b>			16	2
12	<b>C3</b>			2	
13	<b>C4</b>			86	2
14	<b>C5</b>			12	
15	<b>C6</b>			2	
16	<b>PC</b>			1	
17	<b>CR</b>		12" Slide (CR)	1	
18	<b>CL</b>		12" Slide (CL)	1	
19	<b>DR</b>		12" Slide (DR)	1	
20	<b>DL</b>		12" Slide (DL)	1	

THE SPARE BAG INCLUDED EXTRA HARDWARE FOR DAMAGED OR MISSING SMALL HARDWARE WHILE YOU ARE ASSEMBLING

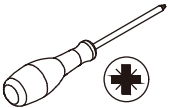

## Hardware List


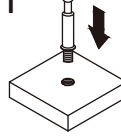
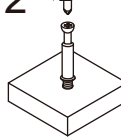

No.	Code	Diagram	Description	Quantity	Spare
21	<b>CL</b>		14" Slide (CL)	11	
22	<b>DR</b>		14" Slide (DR)	11	
23	<b>DL</b>		14" Slide (DL)	11	
24	<b>CR</b>		14" Slide (CR)	11	

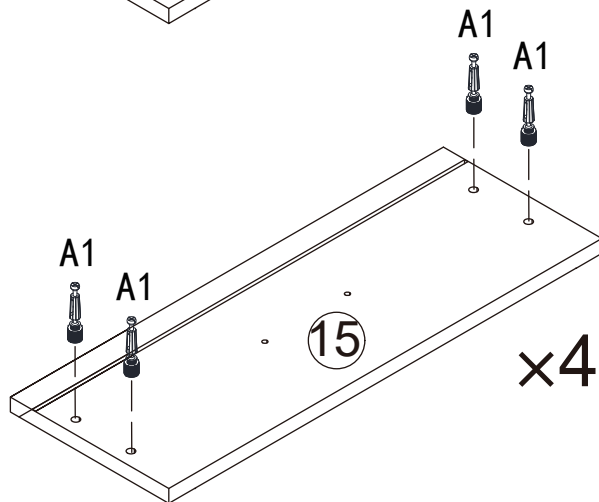
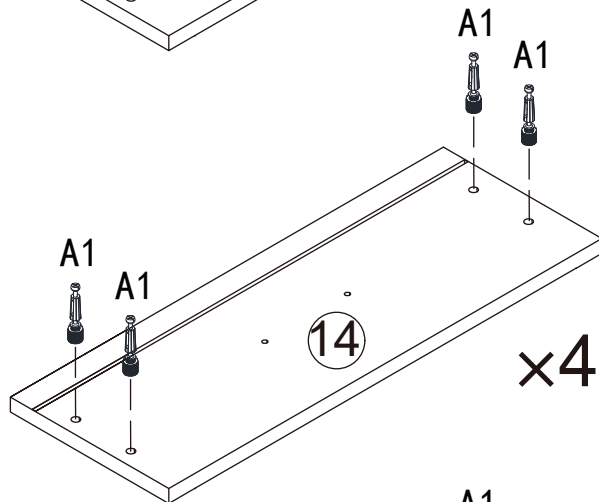
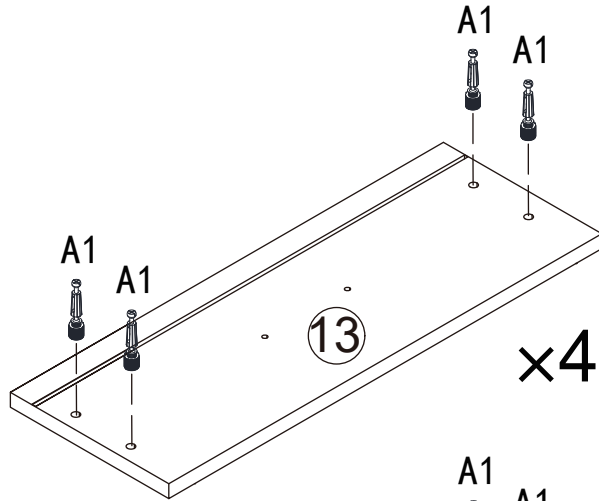
THE SPARE BAG INCLUDED EXTRA HARDWARE FOR DAMAGED OR MISSING SMALL HARDWARE WHILE YOU ARE ASSEMBLING

# Assemble

Step 1

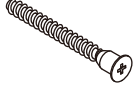
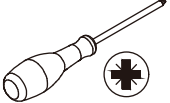
		
A1	48PCS	

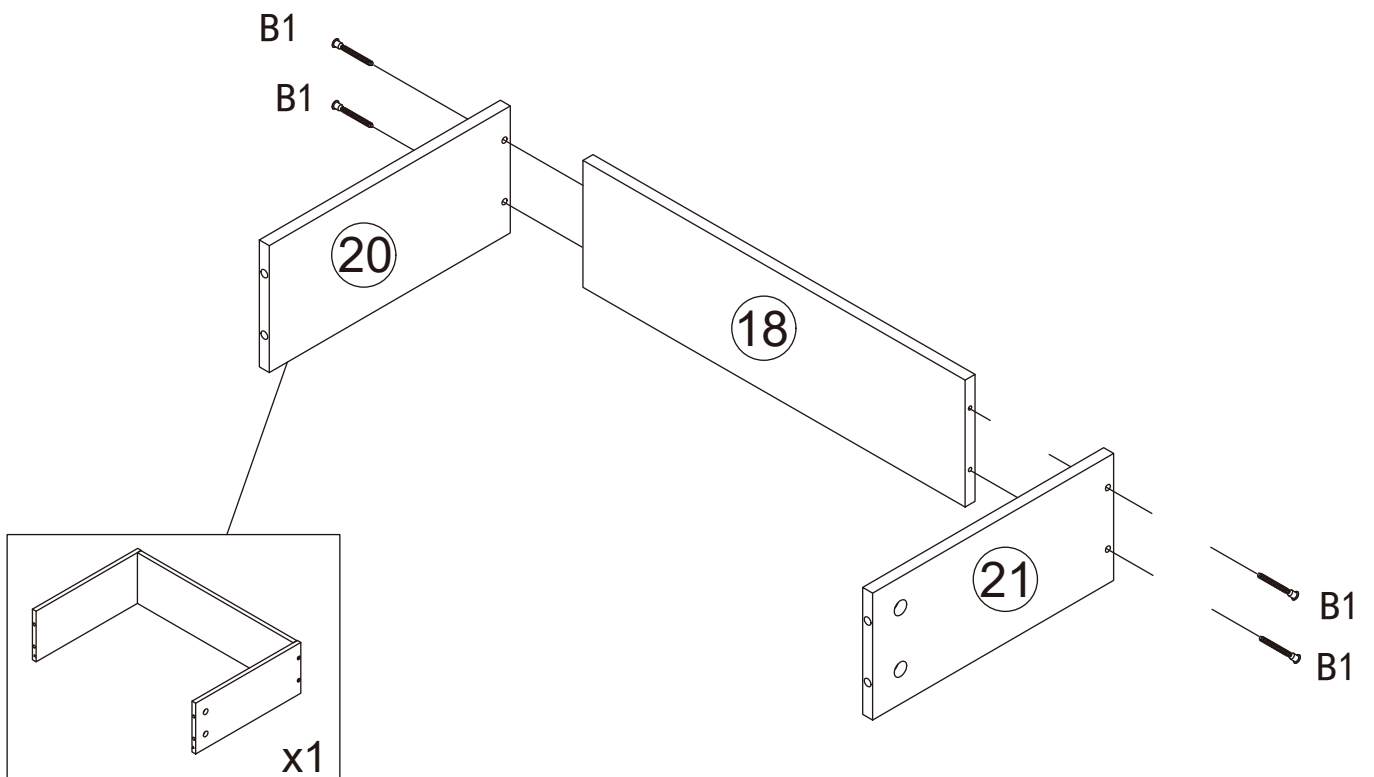
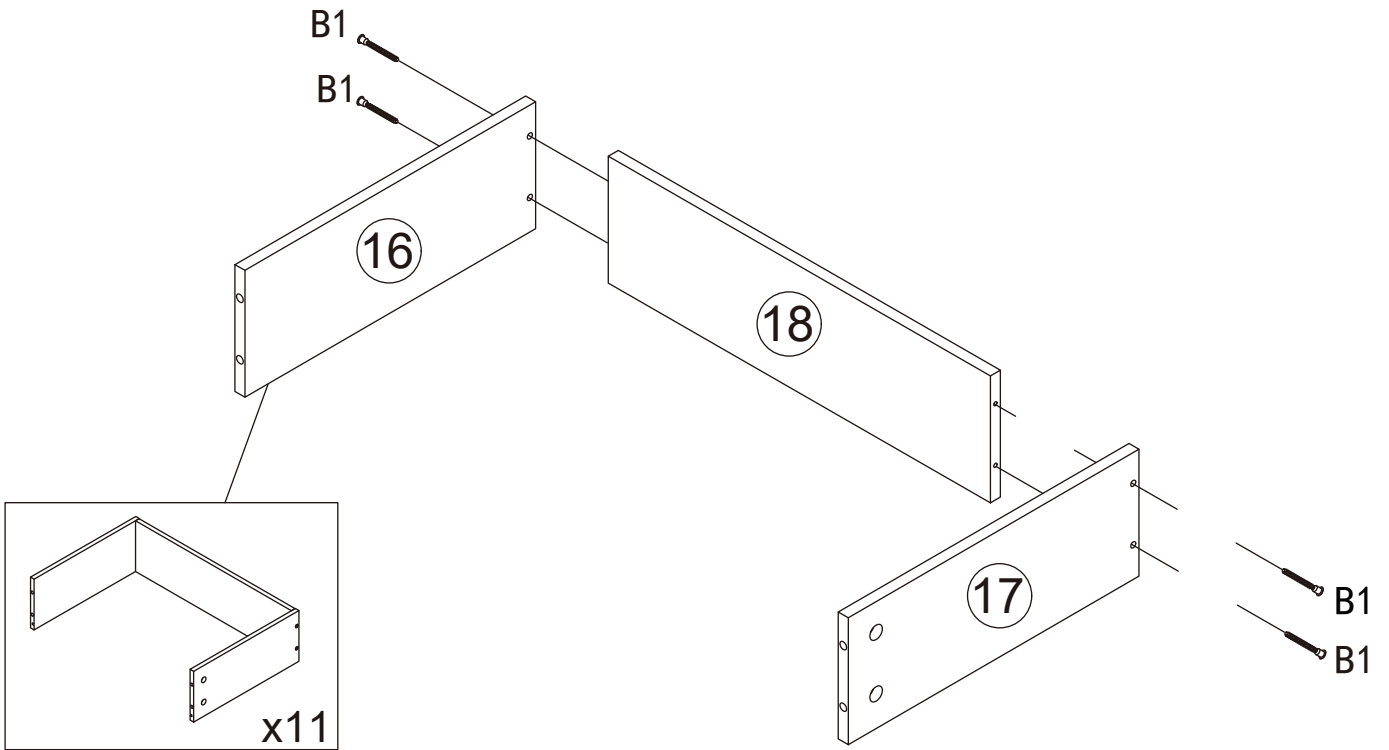
	1 	2 	3 
--	---	---	---



# Assemble


Step 2

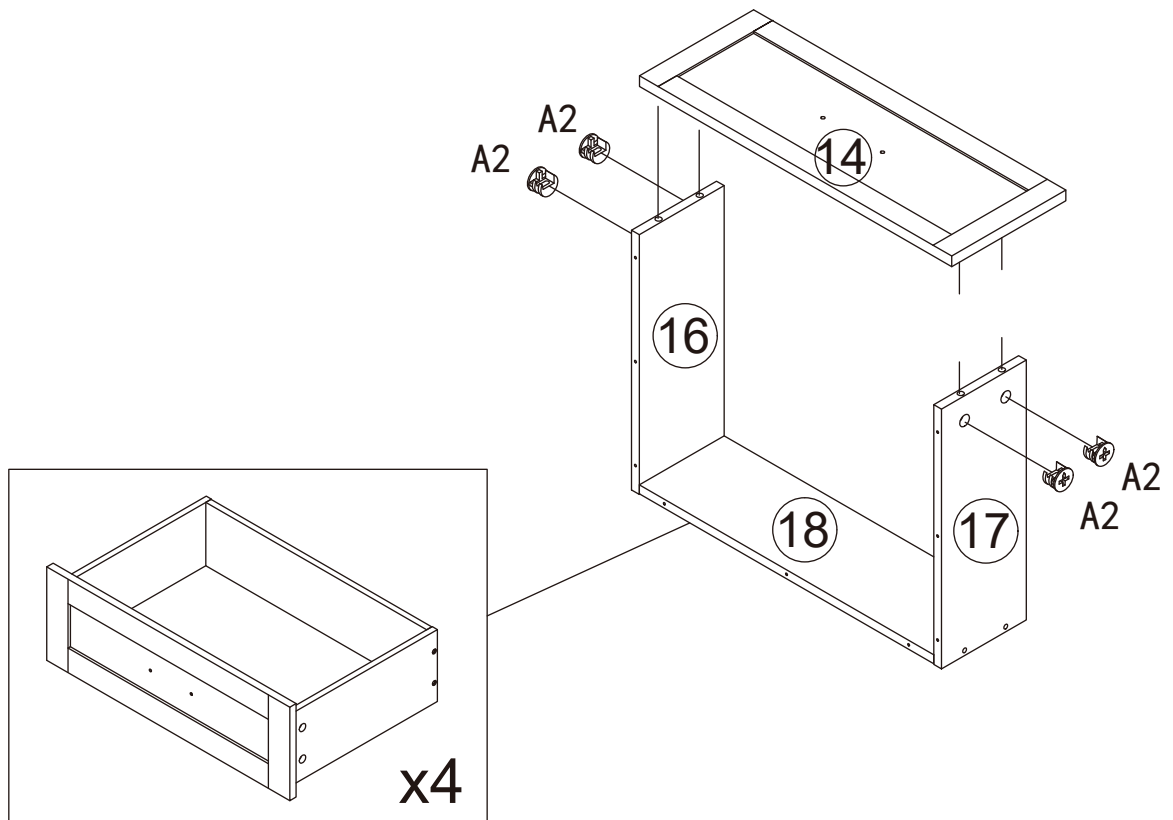
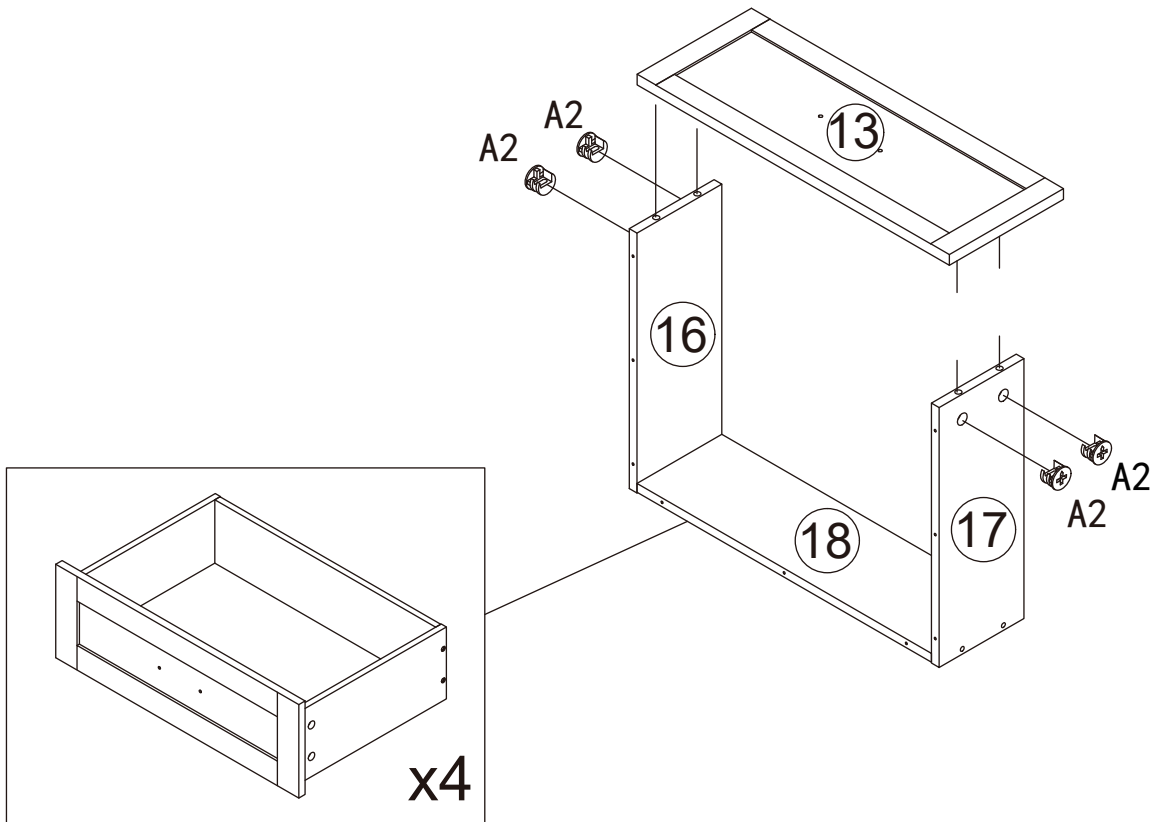
		
B1	48PCS	



# Assemble


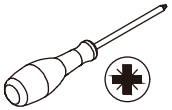
Step 3

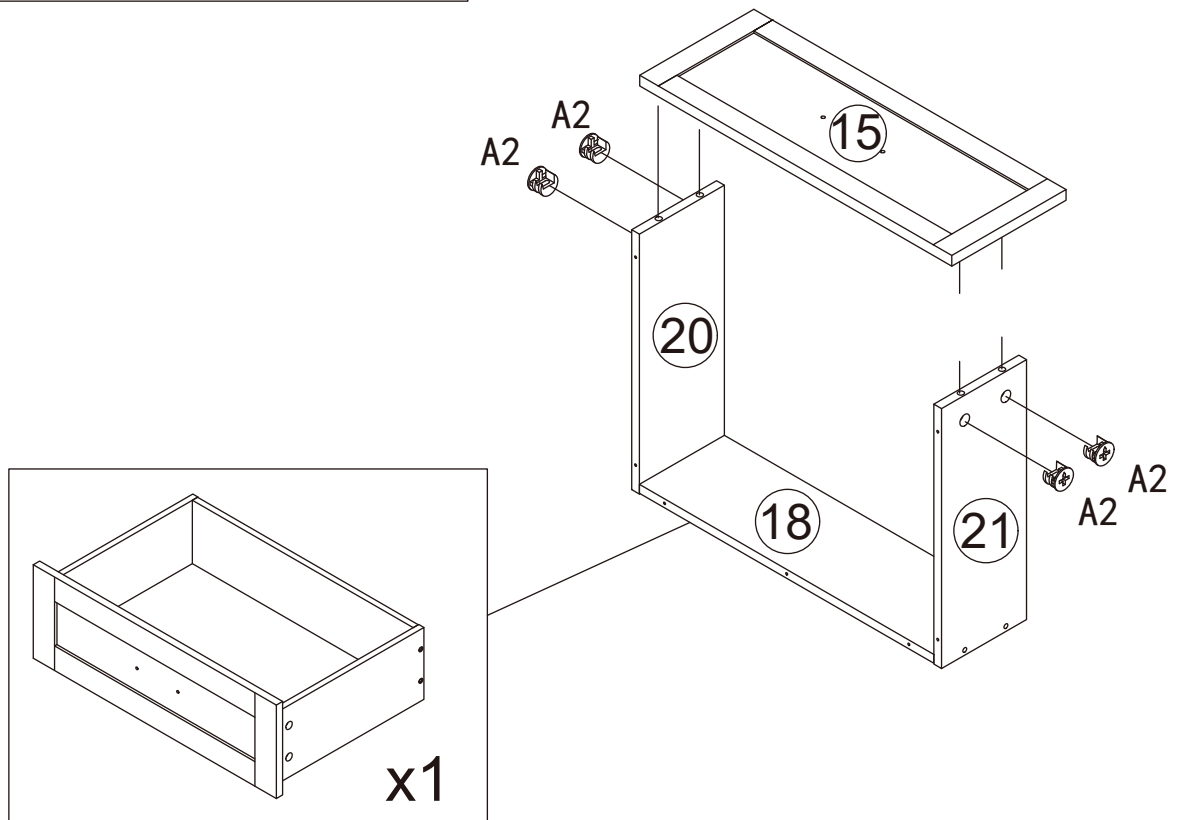
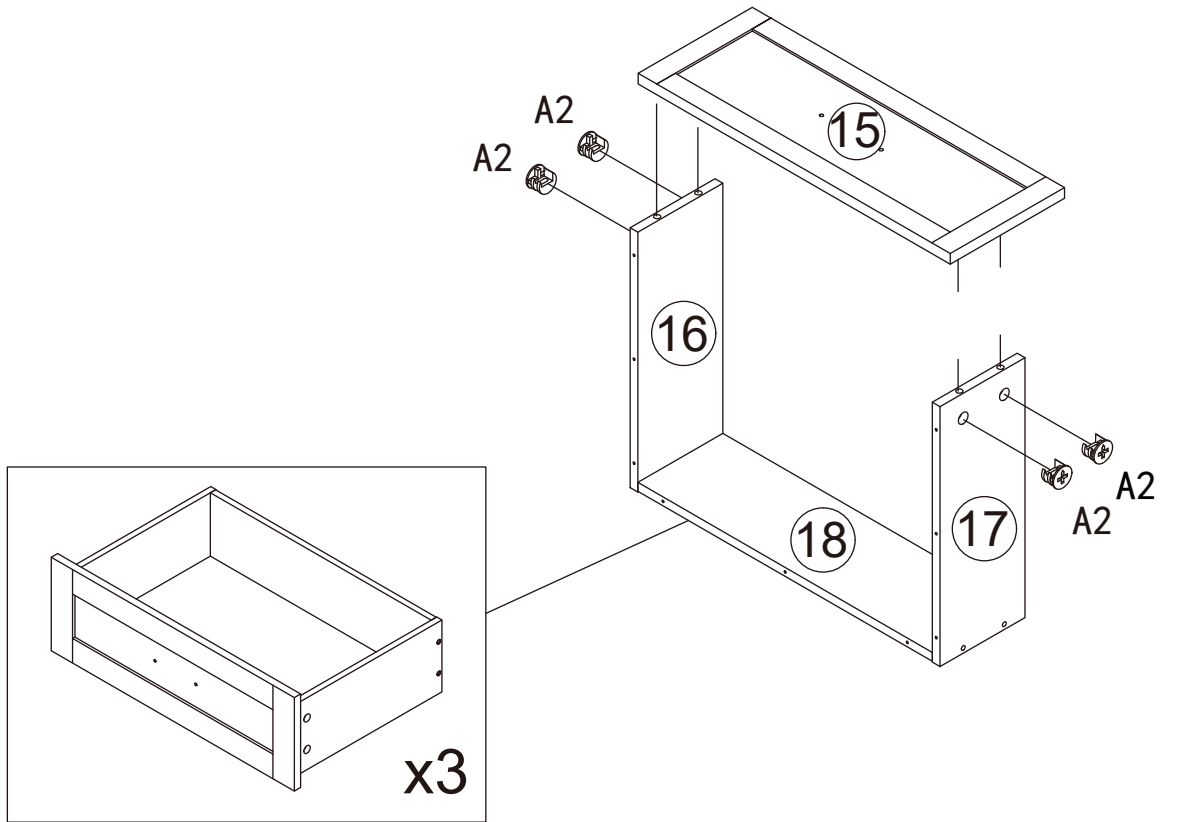
		
A2	32PCS	



# Assemble



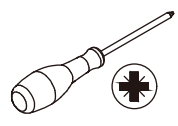
Step 4

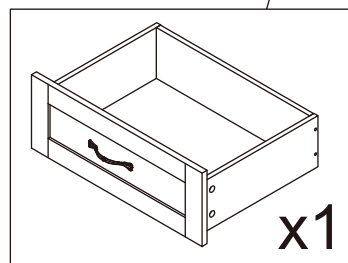
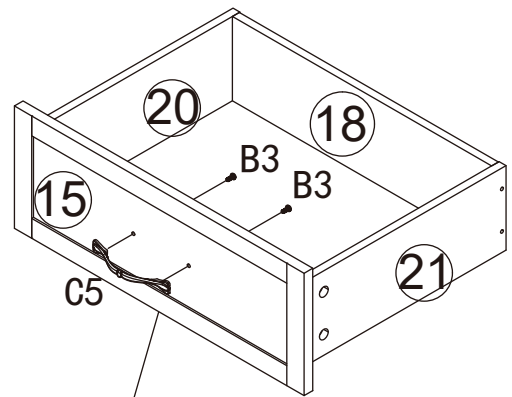
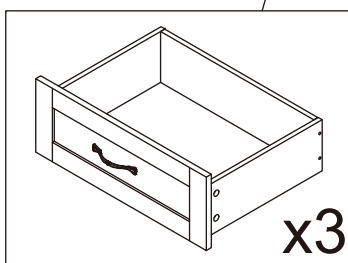
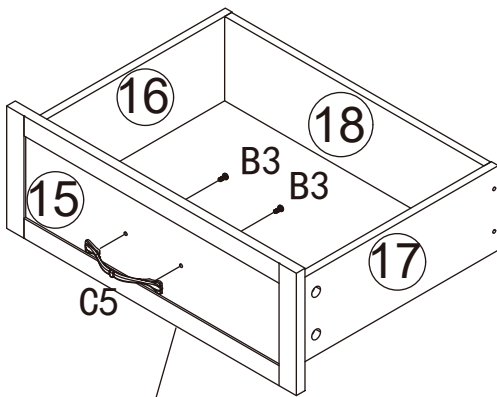
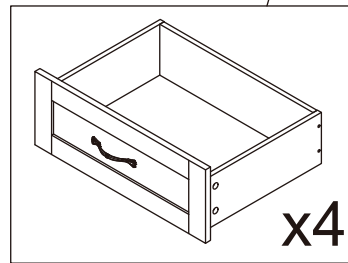
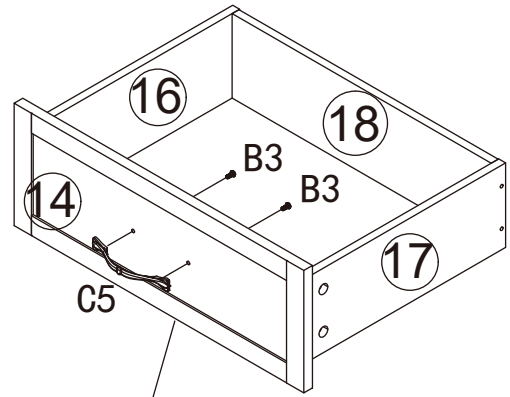
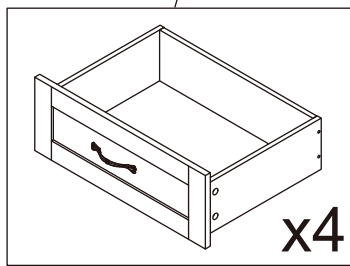
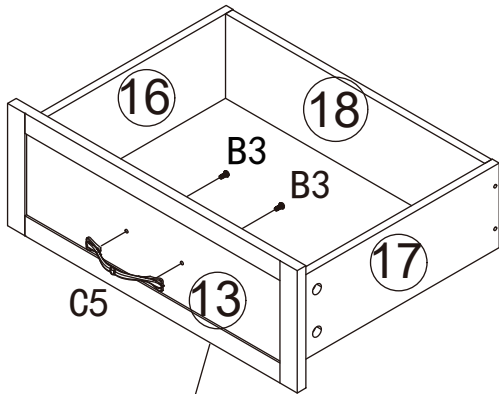
		
A2	16PCS	



# Assemble

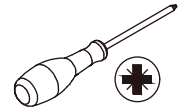
Step 5

			
B3	24PCS	C5	12PCS

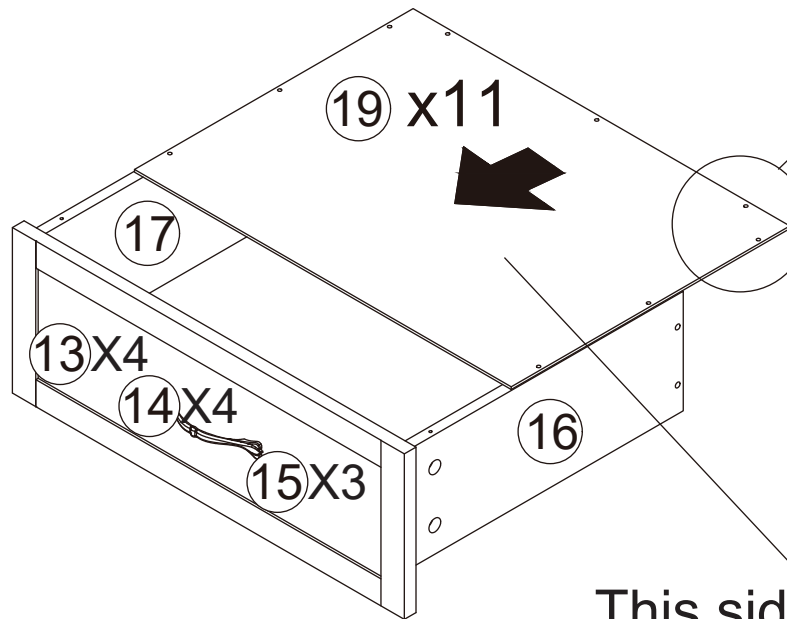
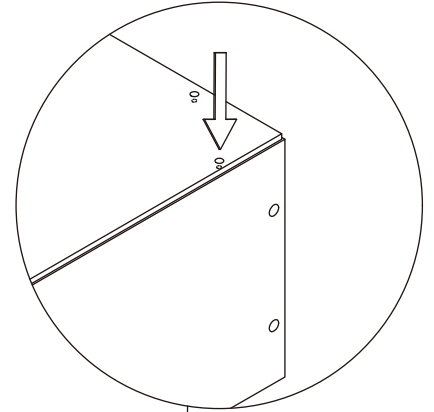


# Assemble

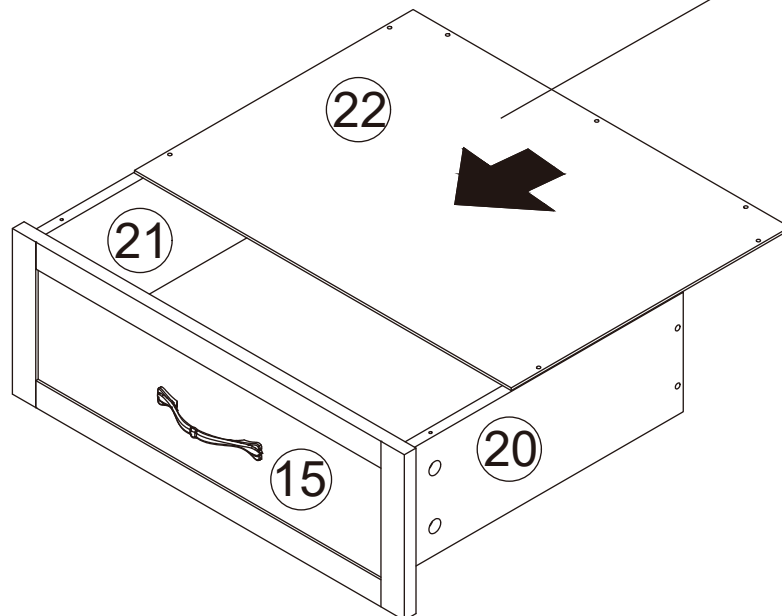
Step 6



Please notice the pre-drilled holes of drawer bottom pieces and side pieces should be aligned after assembly. The pieces have two sides and hole on different sides are different.


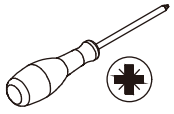



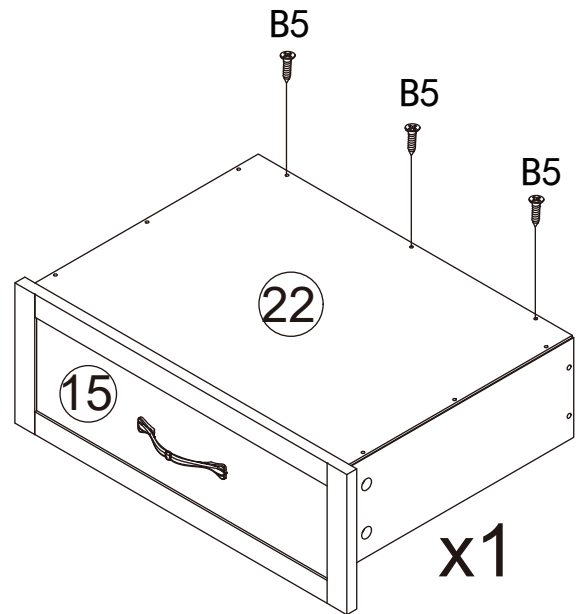
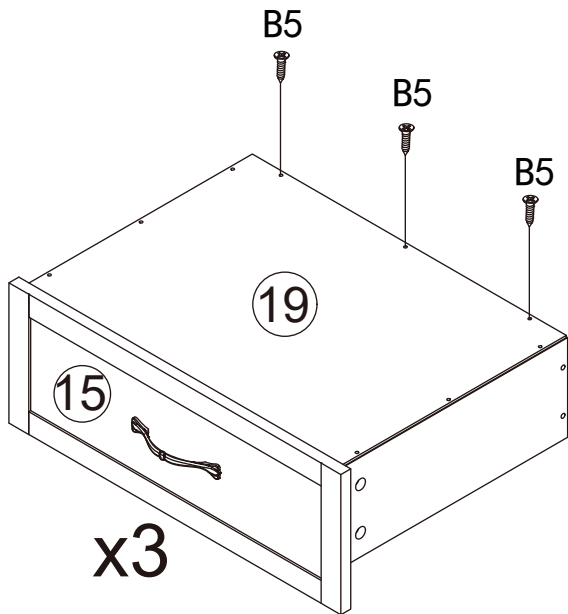
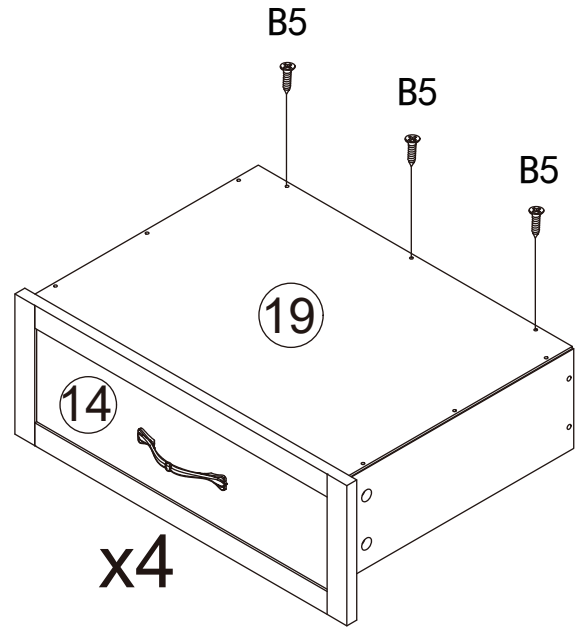
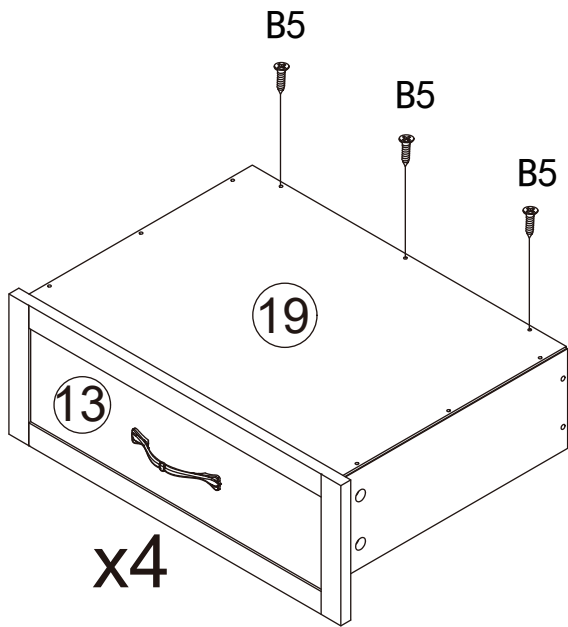
This side is the base



# Assemble





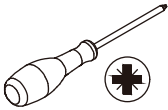

Step 7

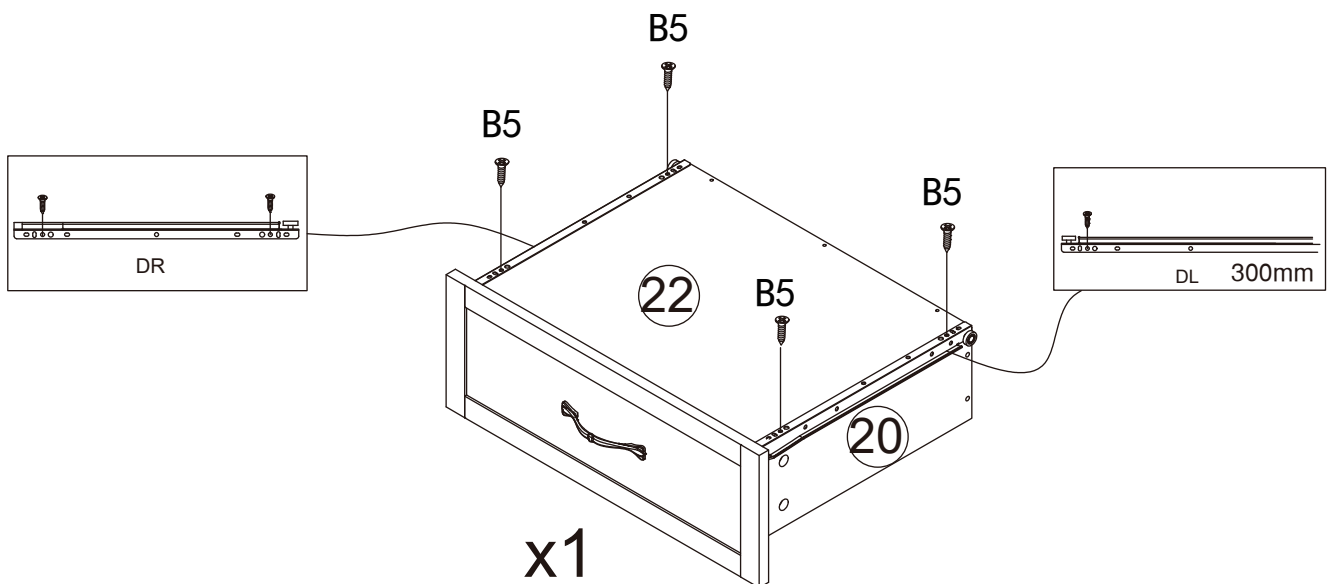
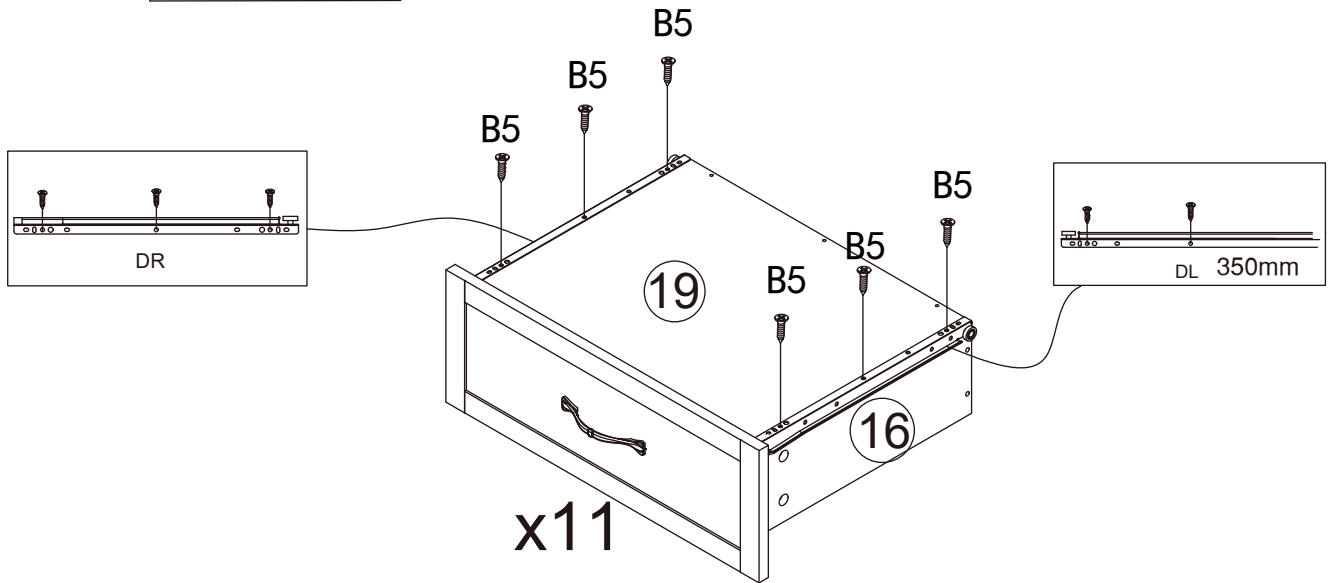
		
B5	36PCS	



# Assemble

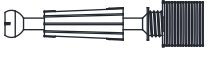
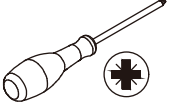

Step 8


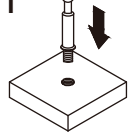
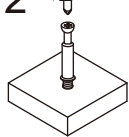
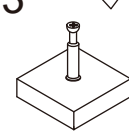
350mm 		350mm 		300mm 		300mm 		
DL	11PCS	DR	11PCS	DL	1PCS	DR	1PCS	
								
B5	70PCS							

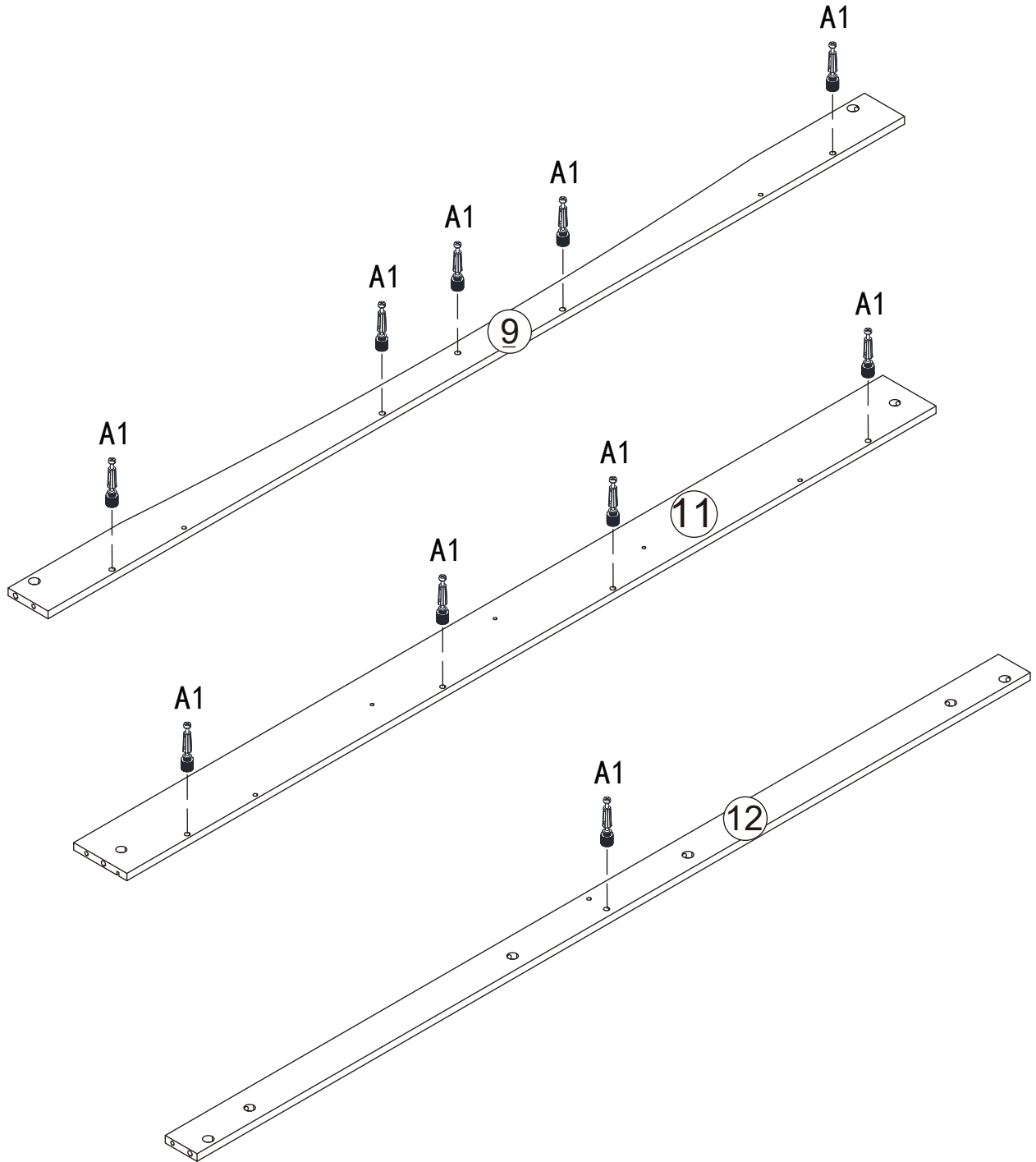


# Assemble

Step 9



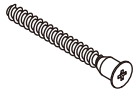
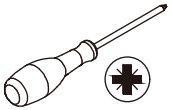
		
A1	10PCS	

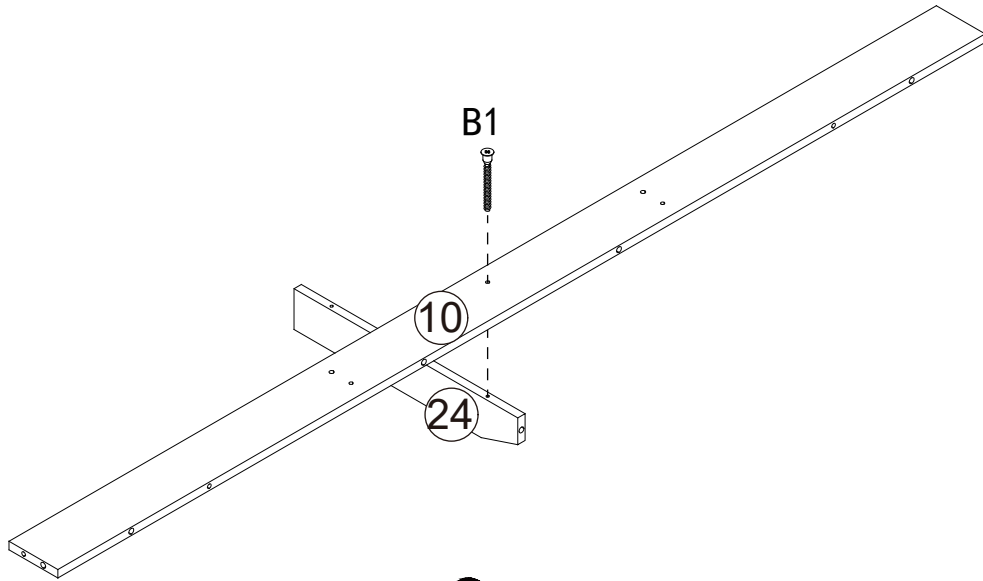
	1 	2 	3 
--	---	---	---



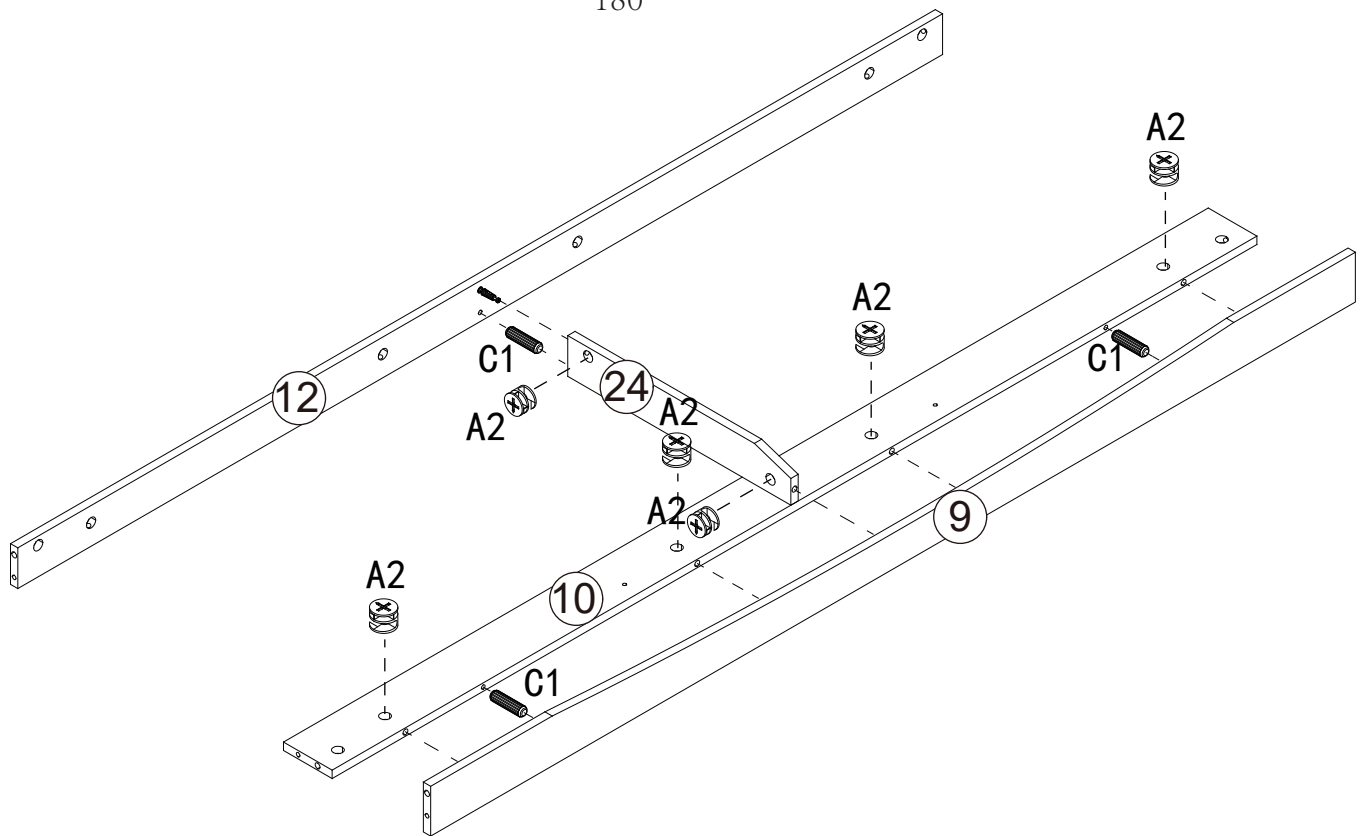
# Assemble

Step 10

				
A2   6PCS	C1   3PCS	B1   1PCS		


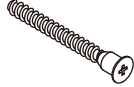

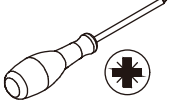


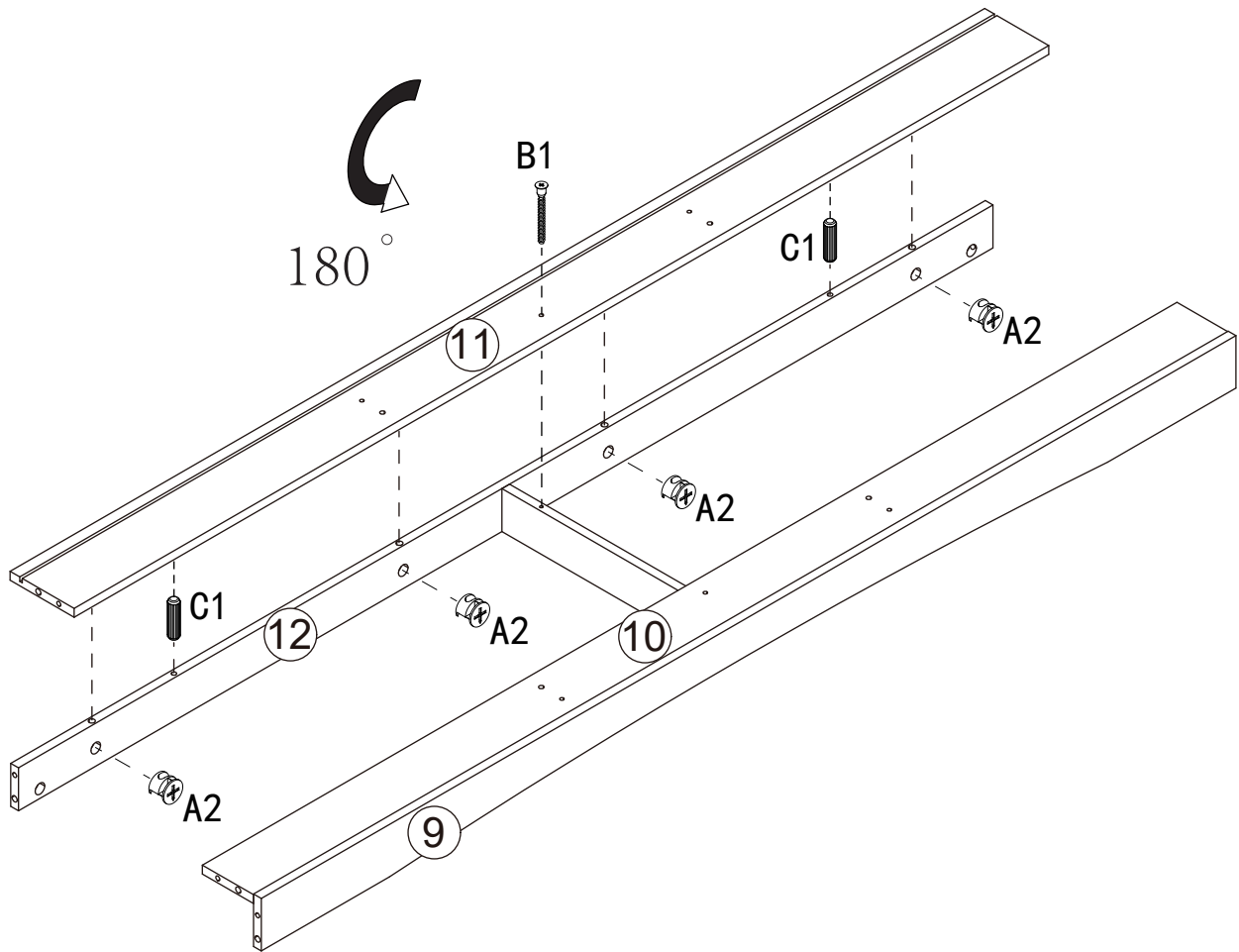
180°



# Assemble

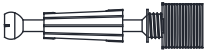



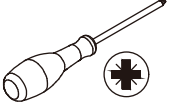
Step 11

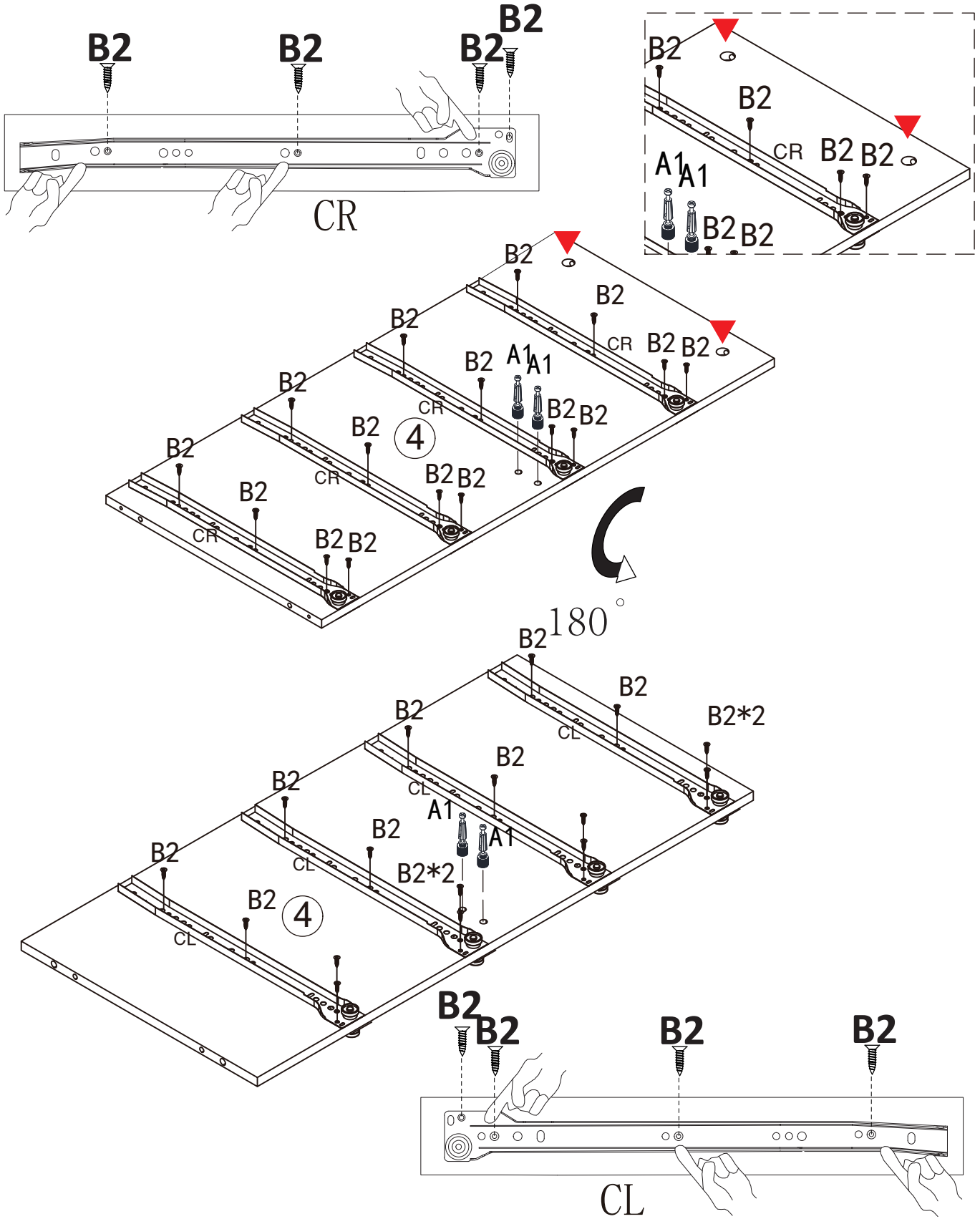
					
A2	4PCS	B1	1PCS	C1	2PCS



# Assemble

Step 12

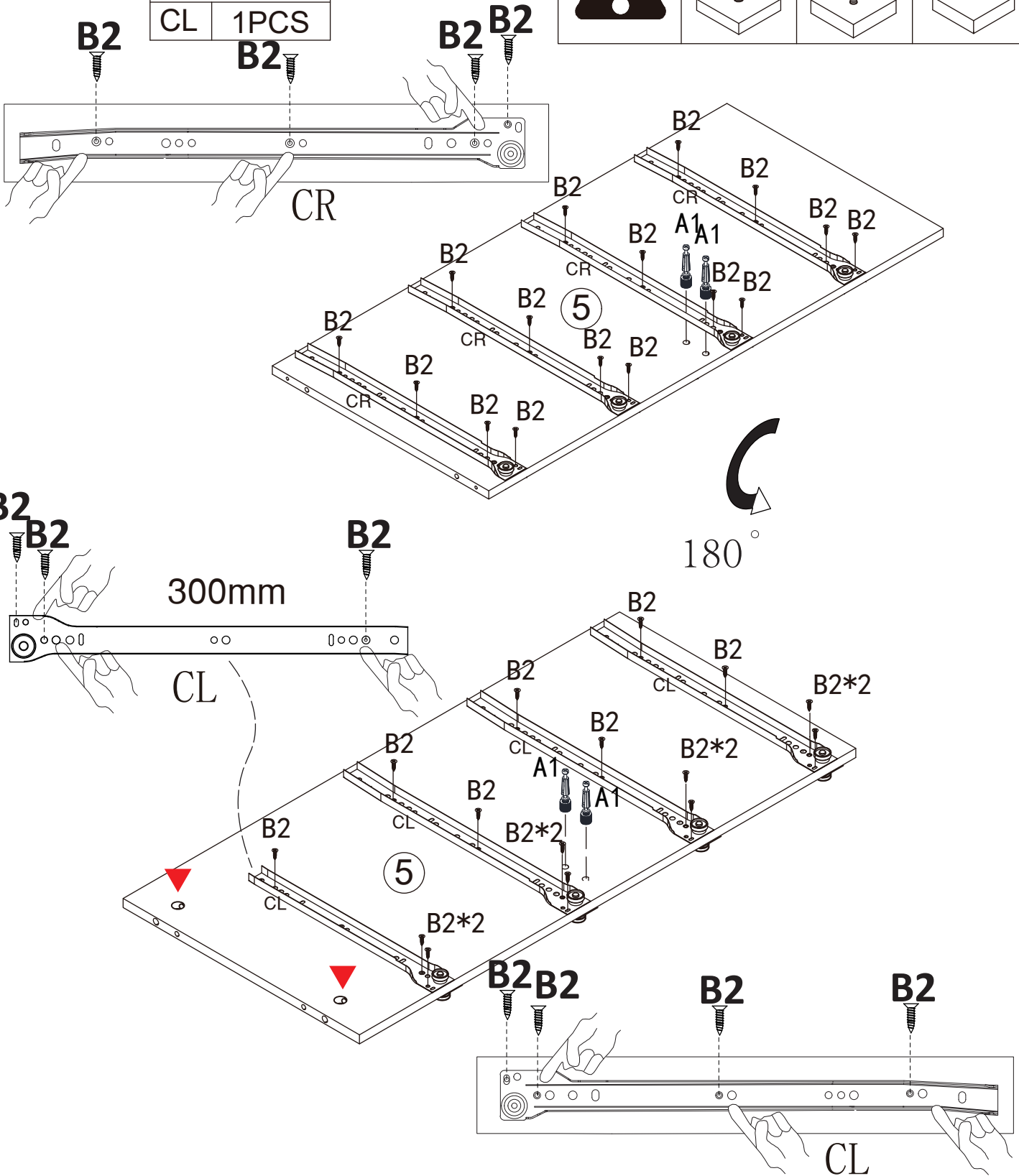
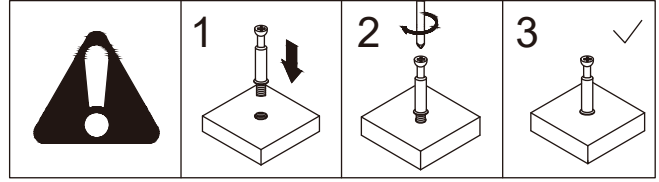
		 350mm	 350mm	
A 4PCS	B2 32PCS	CL 4PCS	CR 4PCS	



# Assemble


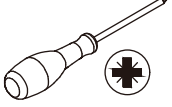
Step 13

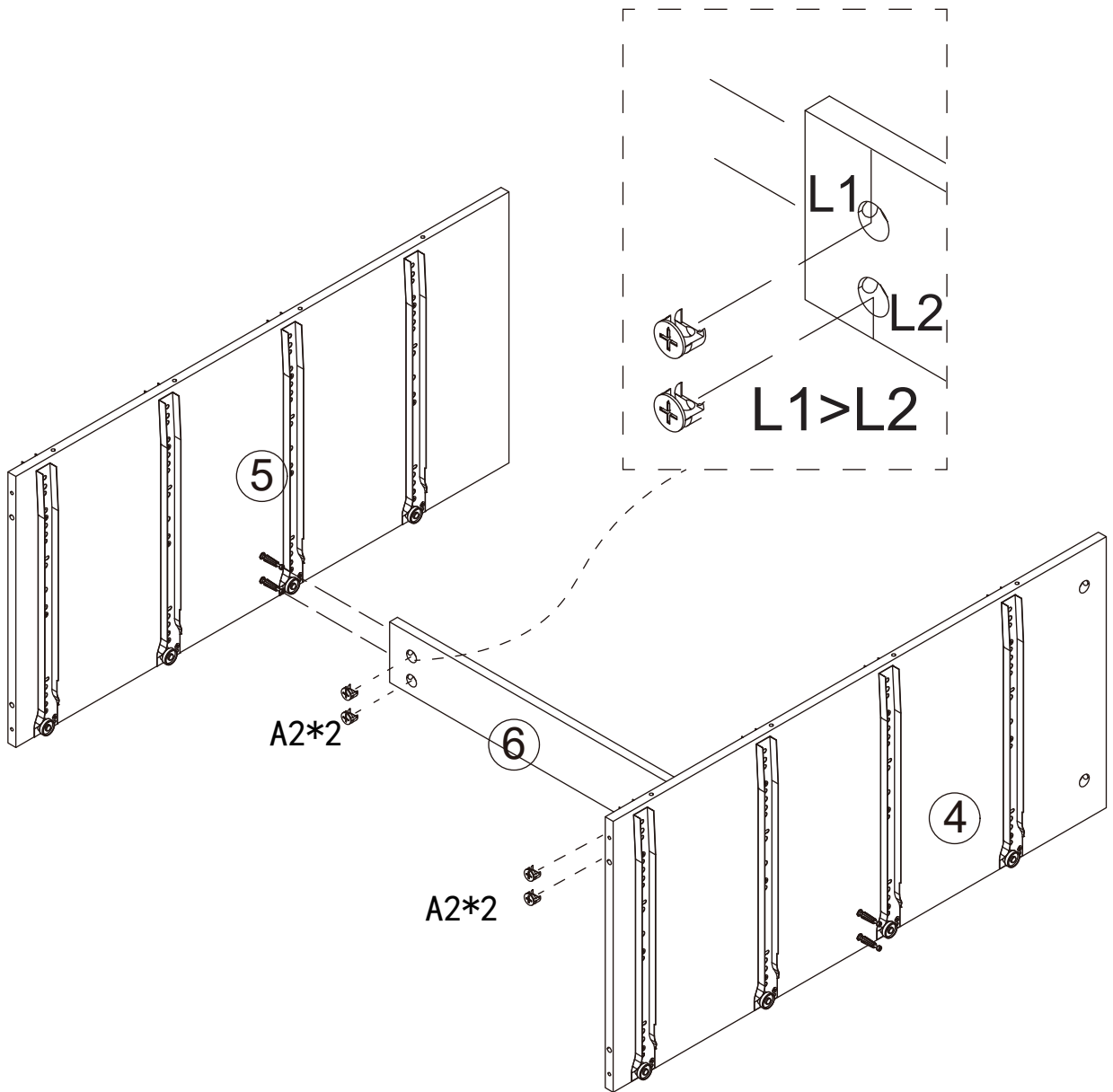
A1   4PCS	B2   31PCS	CL   3PCS	CR   4PCS	
300mm 				
CL   1PCS				



# Assemble


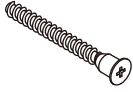
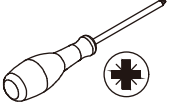
Step 14

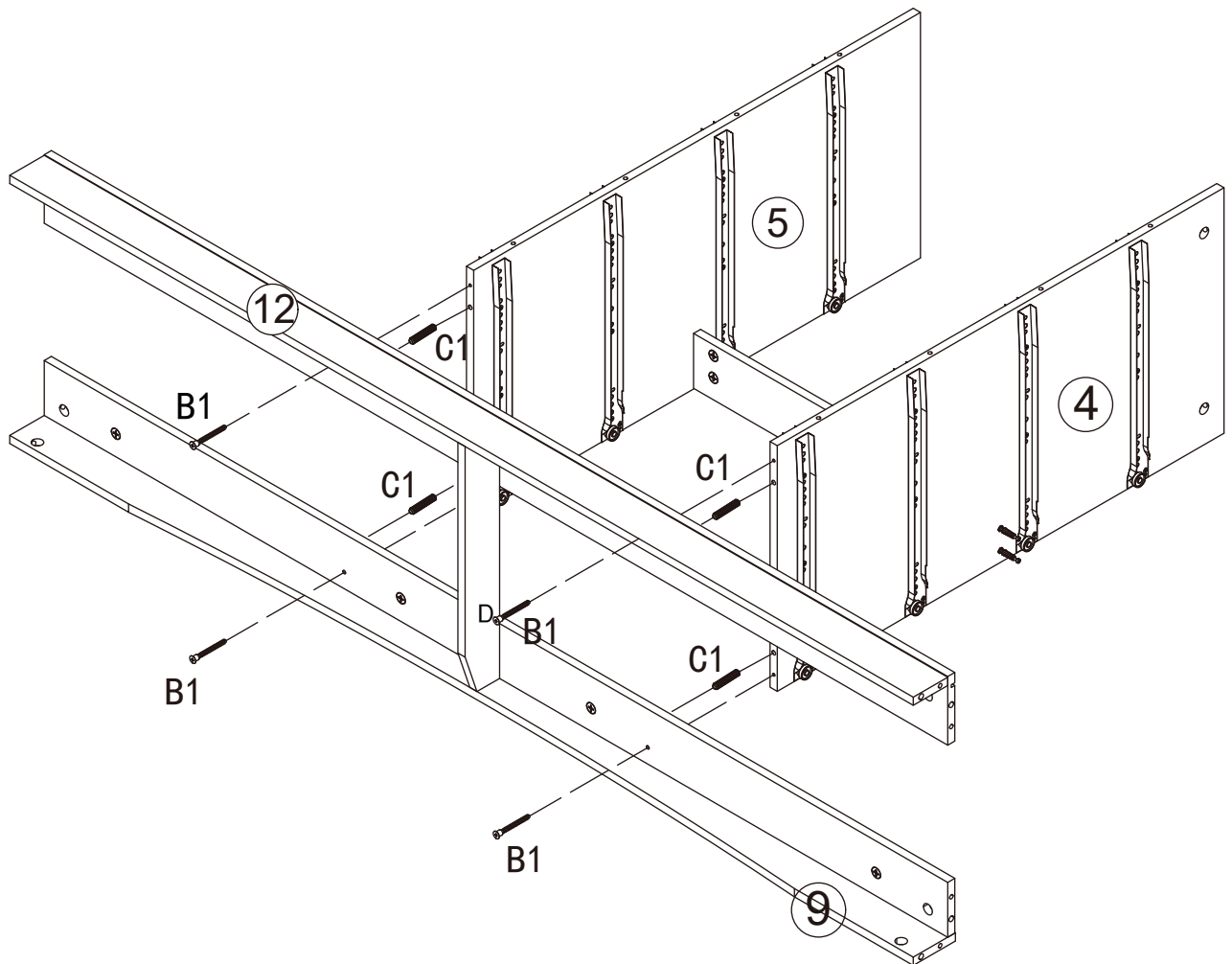
		
A2	4PCS	



# Assemble

Step 15

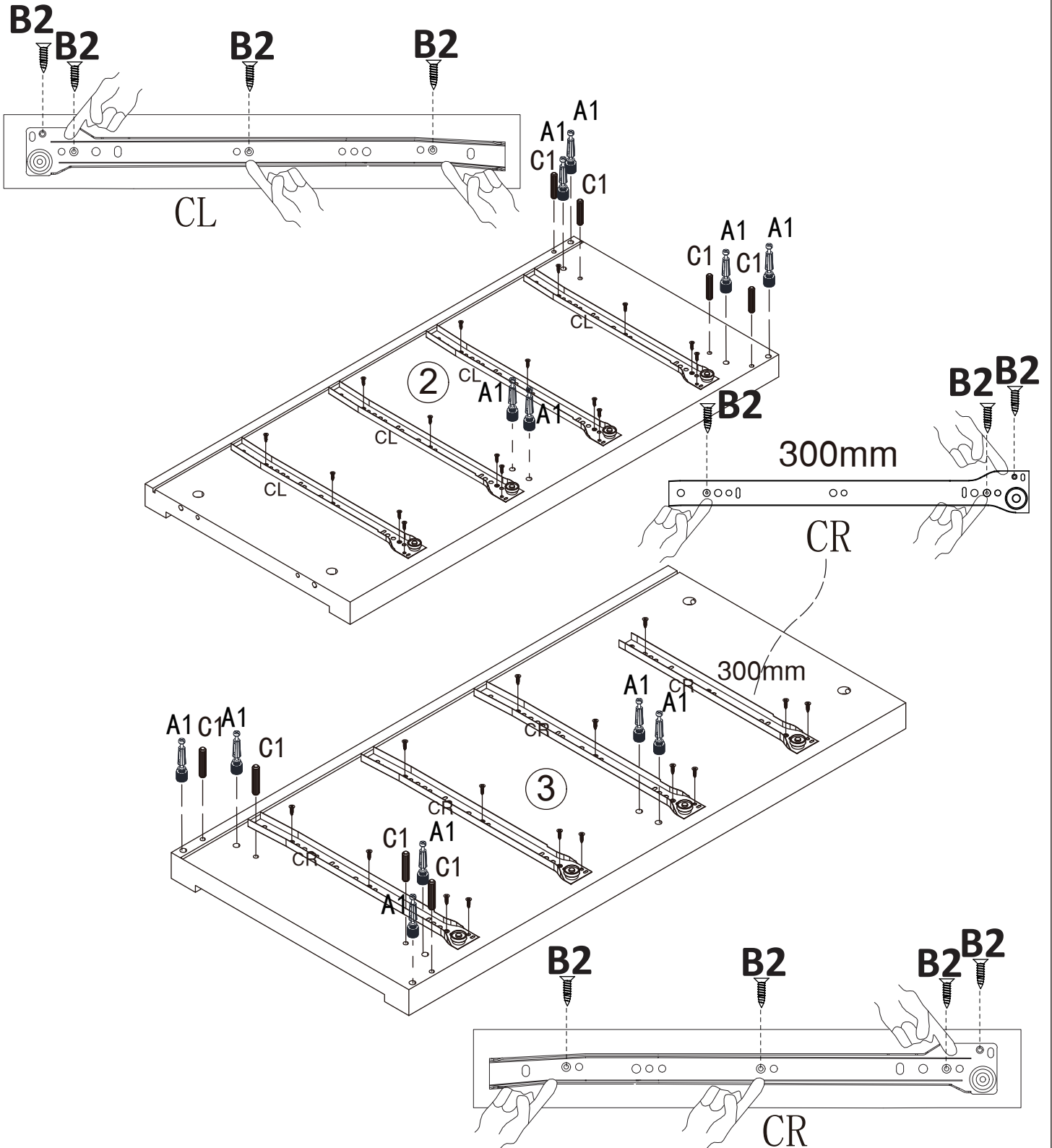
			
C1	4PCS	B1	4PCS



# Assemble


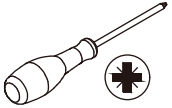
Step 16

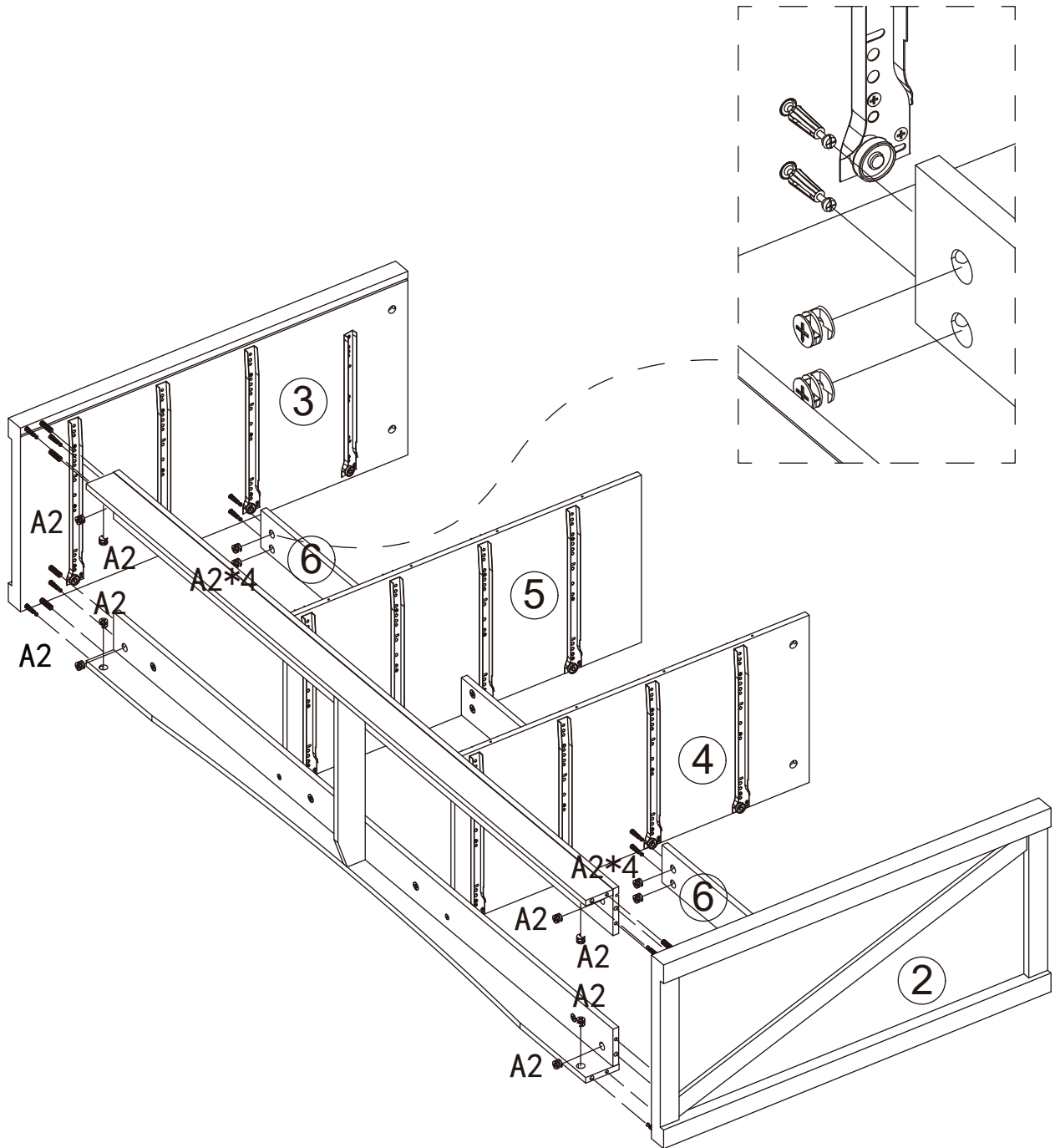
A1	12PCS	C1	8PCS	B2	31PCS	CL	4PCS	
CR	3PCS	CR	1PCS					



# Assemble

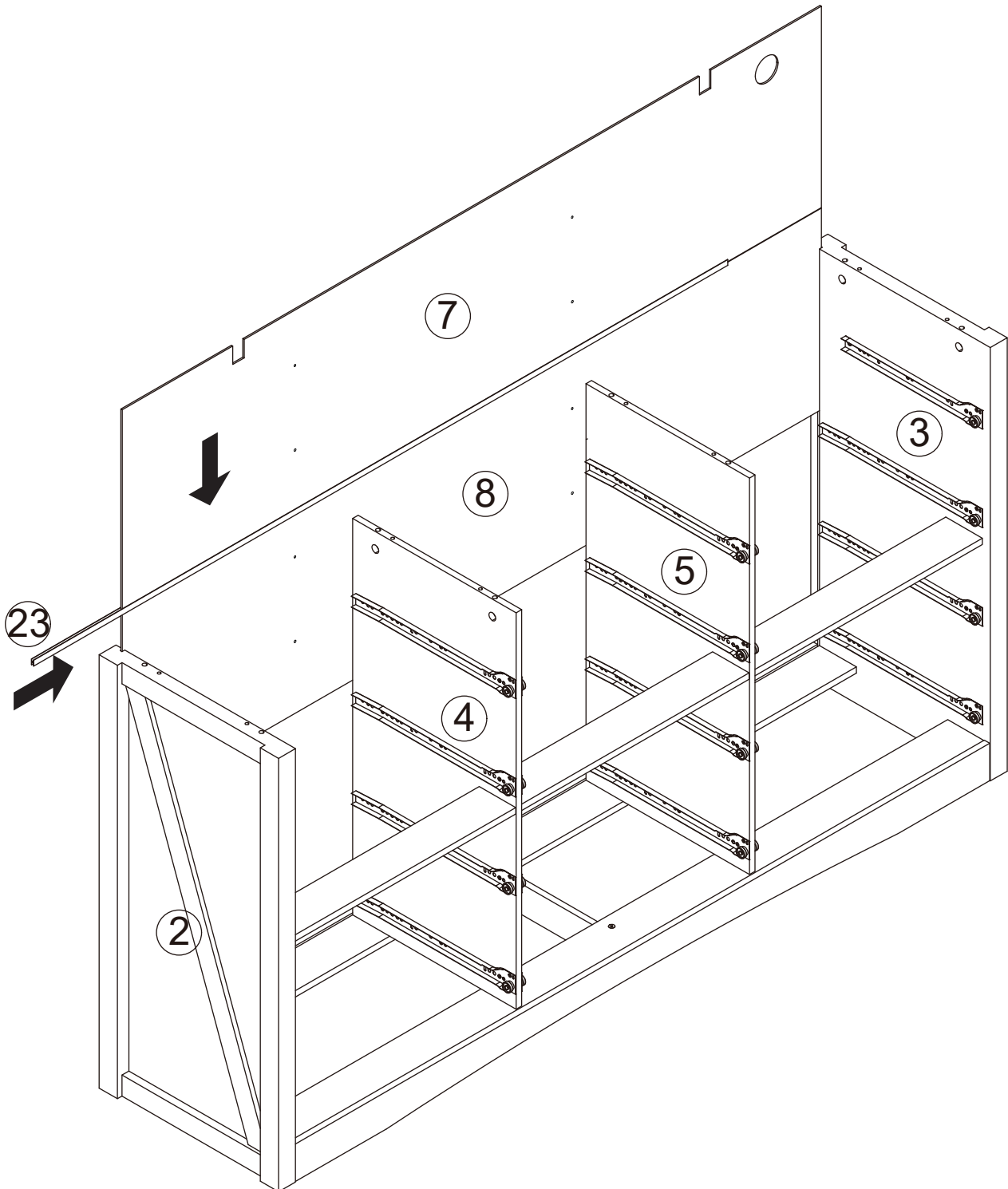
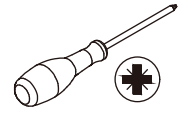
Step 17

		
A2	16PCS	



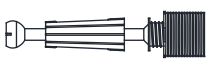
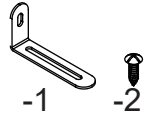
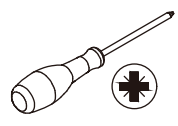
# Assemble

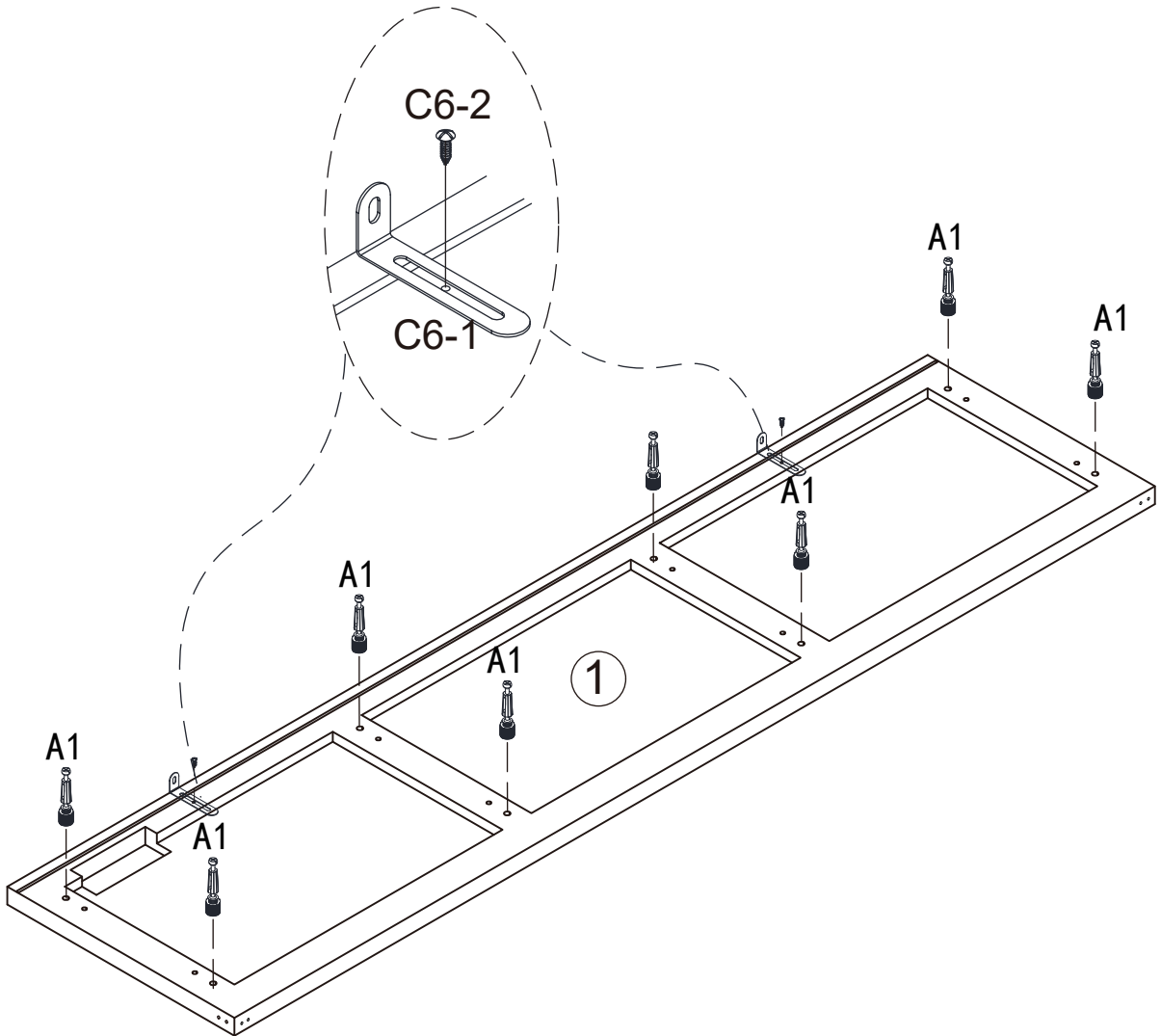
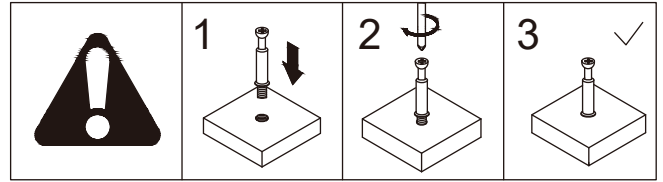
Step 18



# Assemble



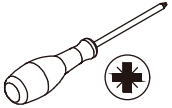
Step 19

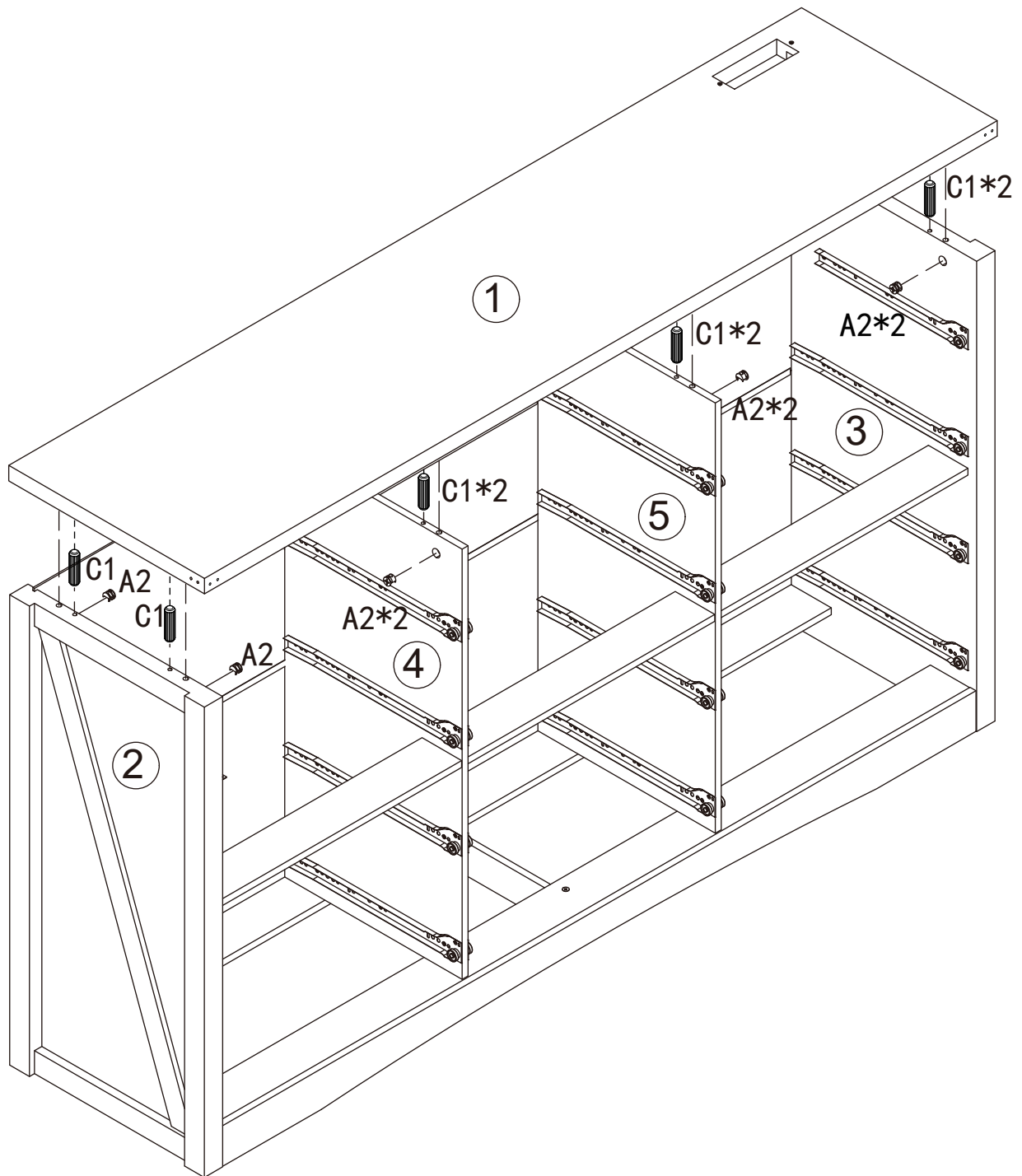
		 -1    -2		
A1	8PCS	C6	2PCS	



# Assemble




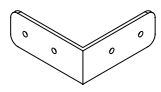
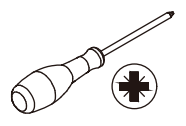
Step 20

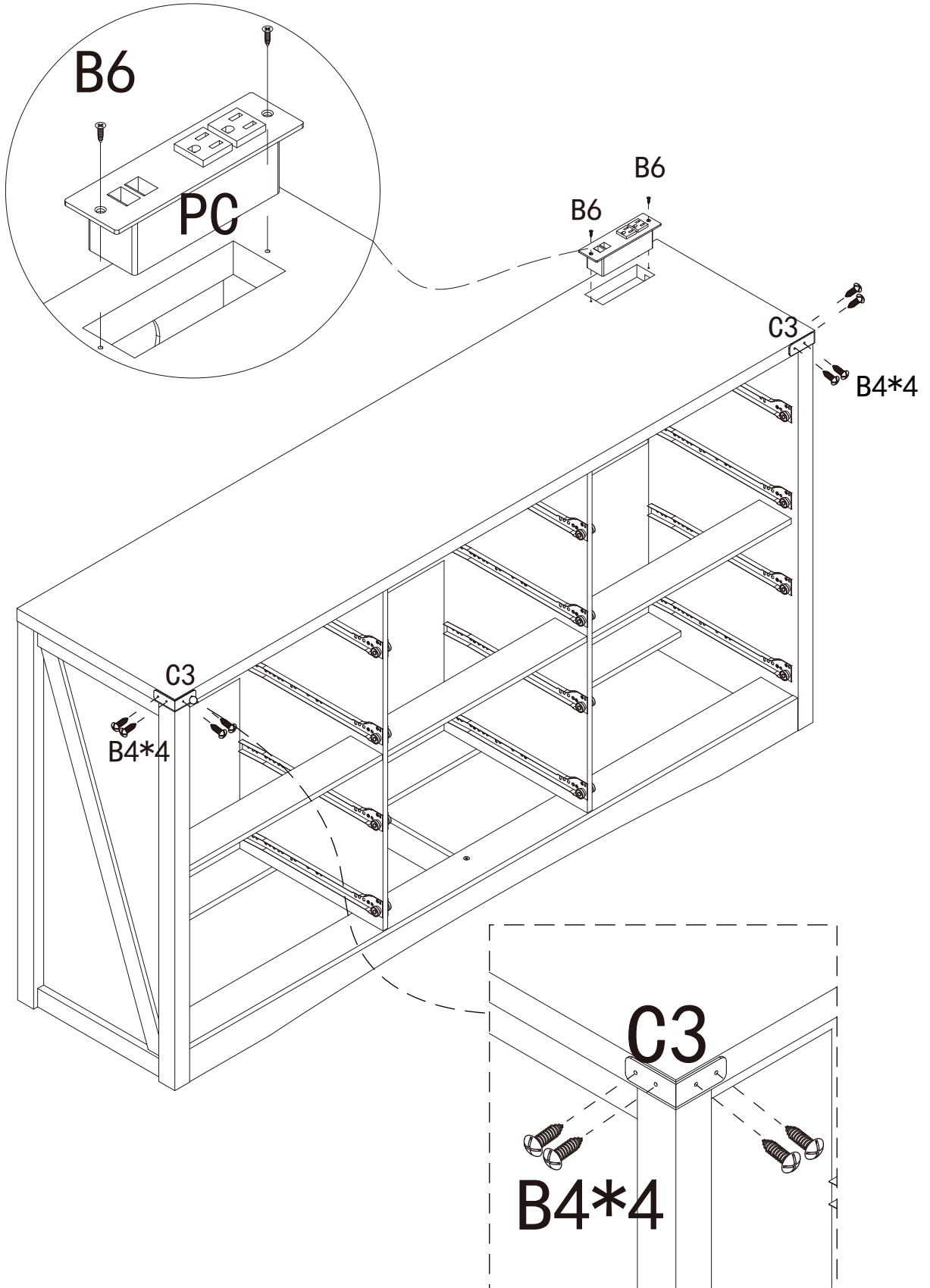
			
A2	8PCS	C1	8PCS



# Assemble

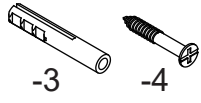
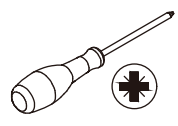
Step 21

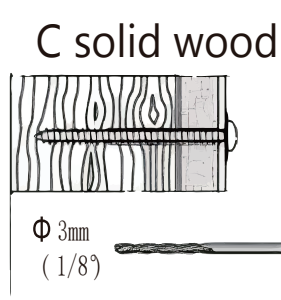
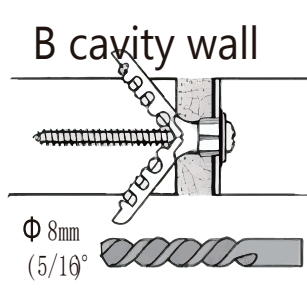
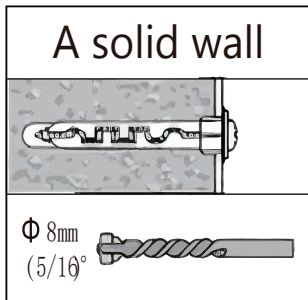
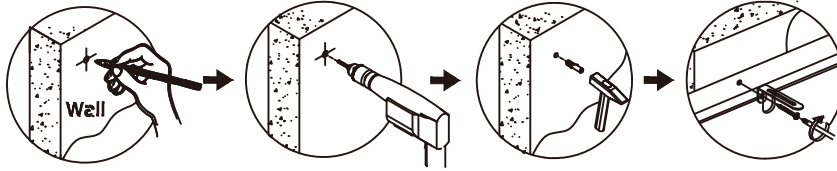
								
B6	2PCS	B4	8PCS	PC	1PCS	C3	2PCS	



# Assemble

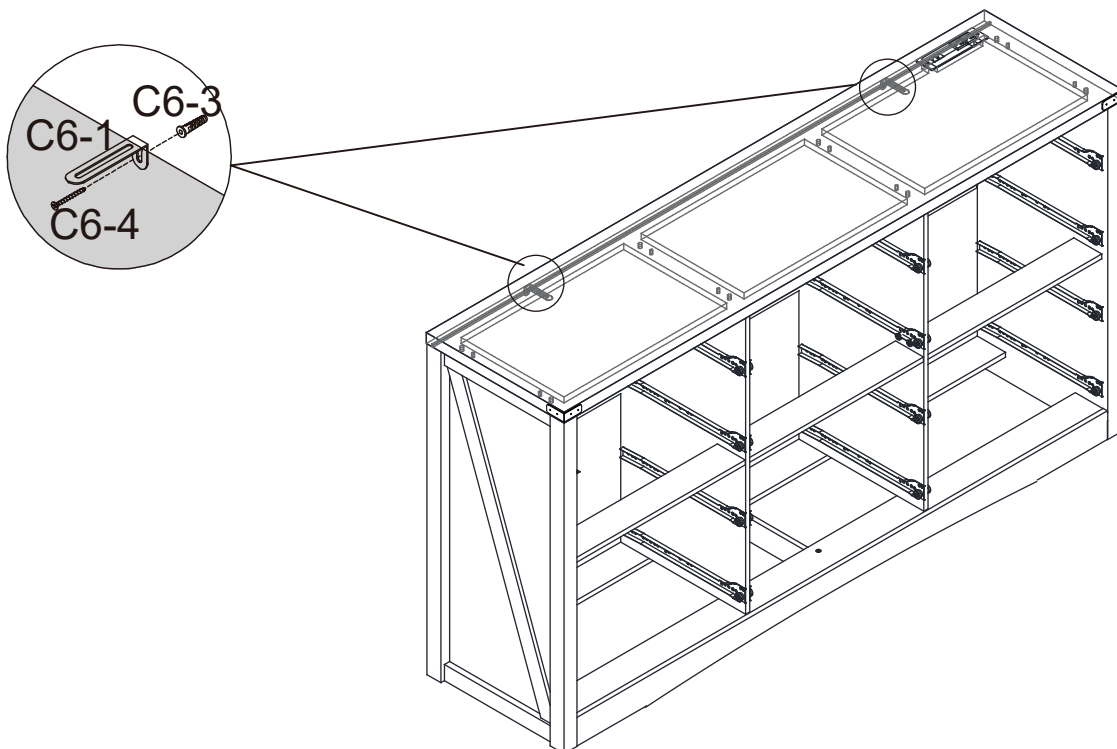
Step 22

 -3      -4		
C6	2PCS	




**⚠ Warning:** If you overturn the furniture, it may cause serious or fatal crushing injuries. We have a wall connection device attached, please use it to hold the furniture following these instructions.

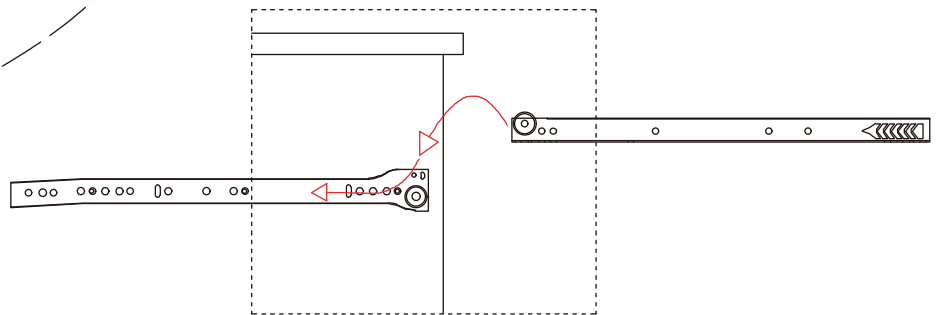
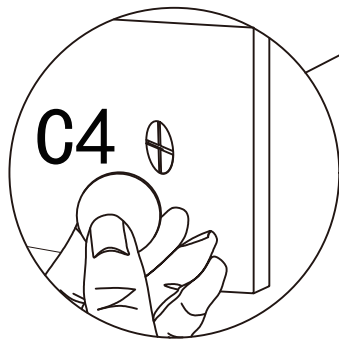
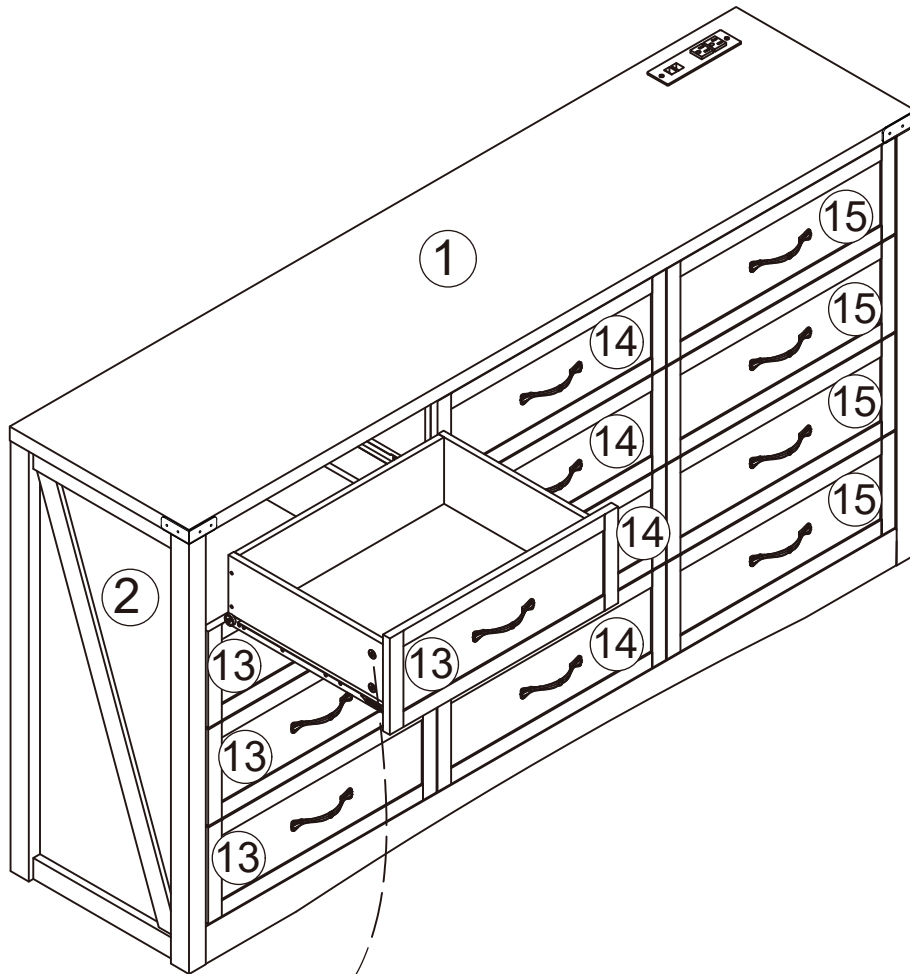
1. Mark the corresponding hole positions where you want to place the furniture;
2. Use a impact drill to drill holes and pay attention to avoid wires and water pipes;
3. Knock the expansion pipes into the wall holes;
4. Place the furniture in the corresponding position and tighten the wall connection device with screws.



# Assemble

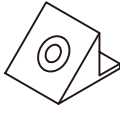


Step 23

		
C4	86PCS	



# Assemble

Step 24

				
C2	16PCS	B7	8PCS	

