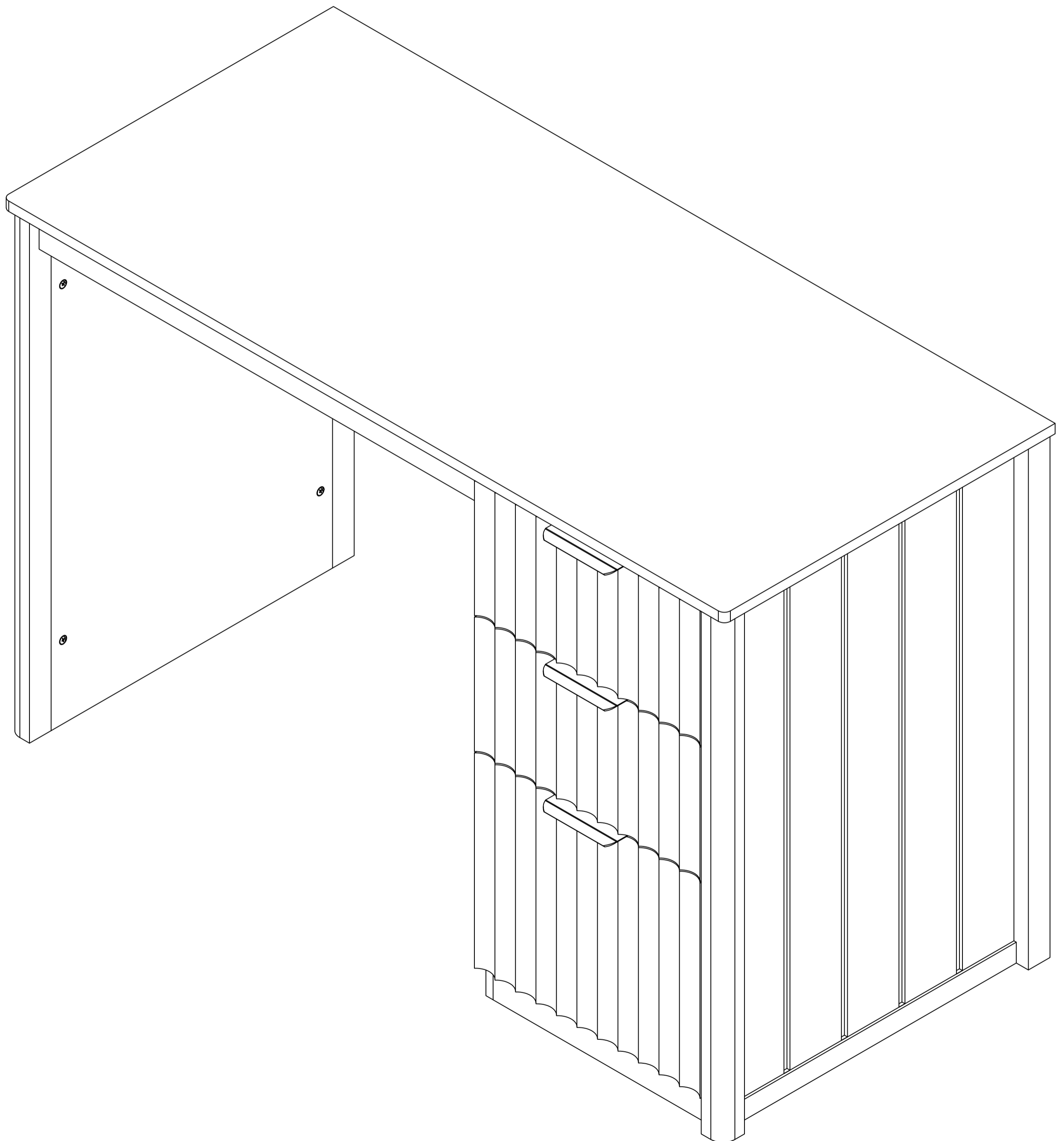
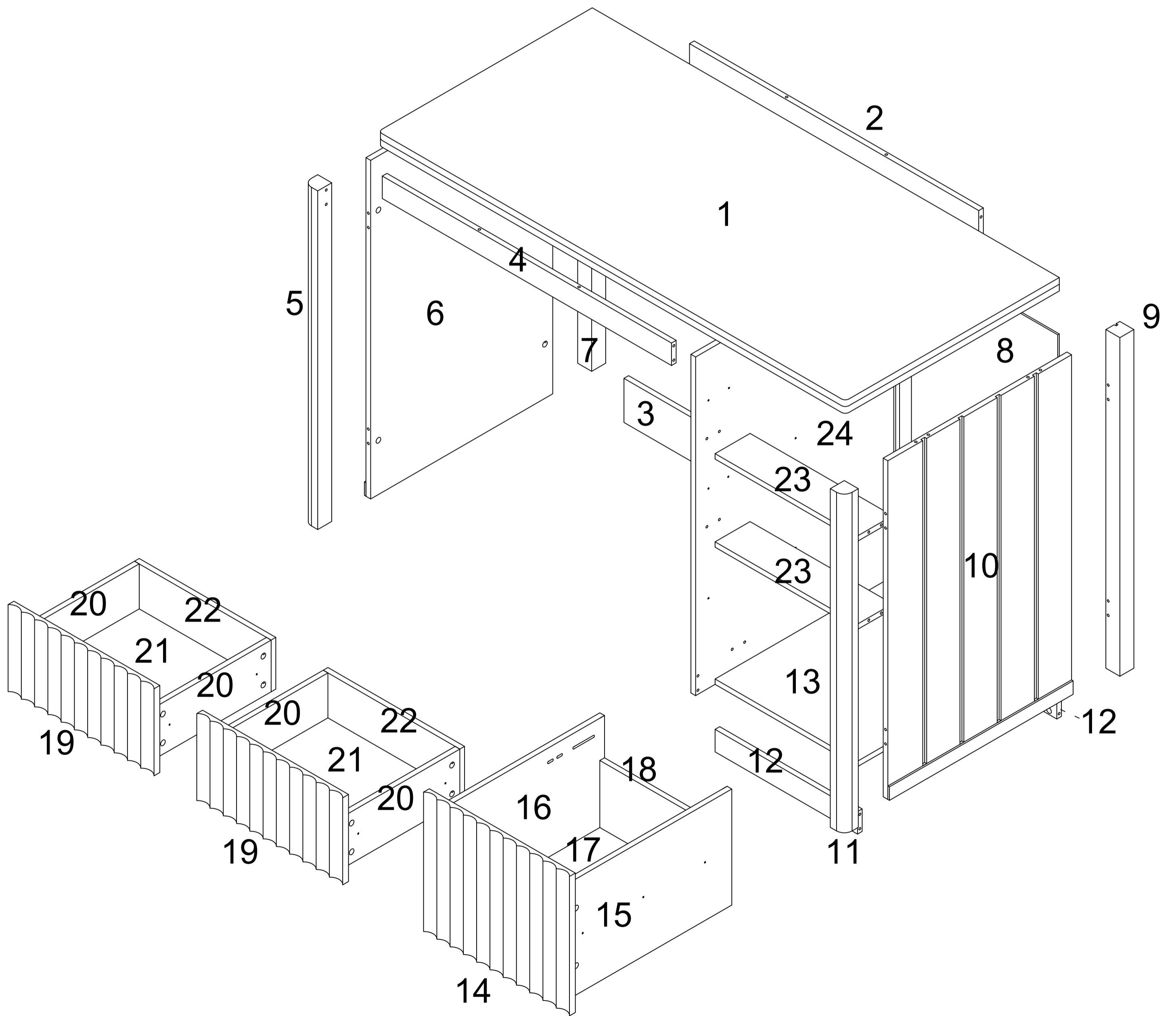


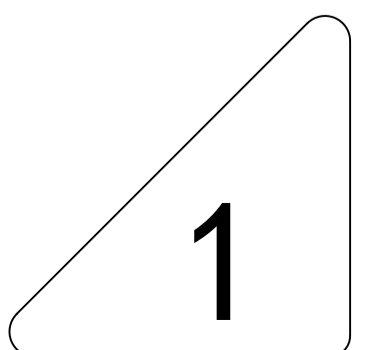
Product Installation Instructions

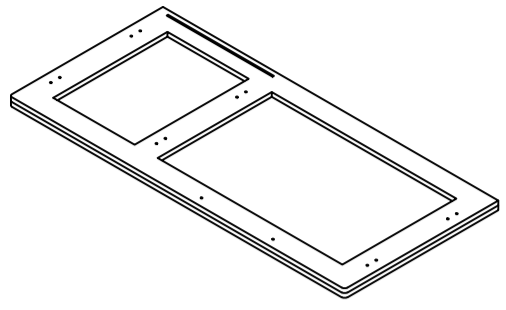


Product Explosion diagram

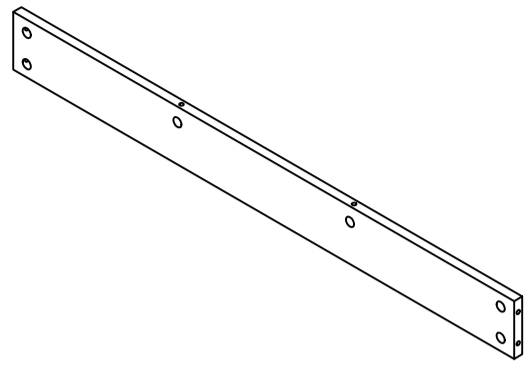


SY

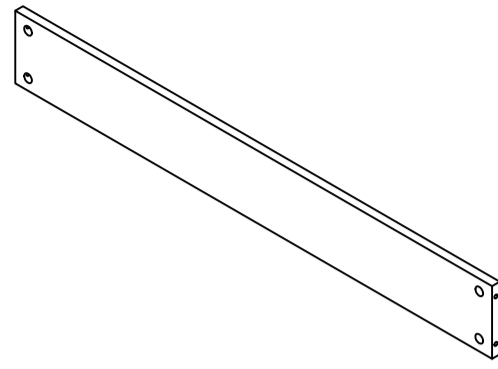




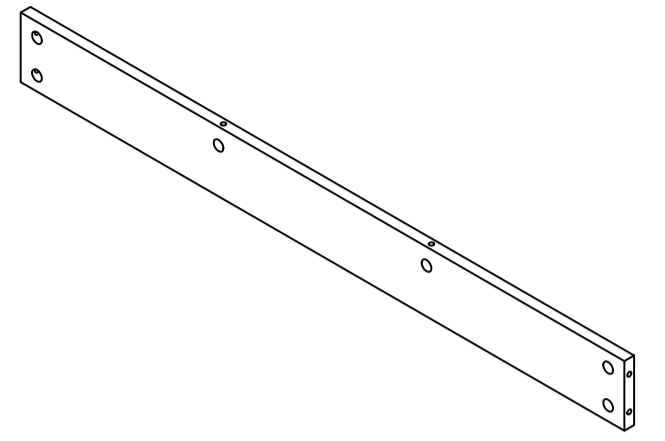
1x1



2x1



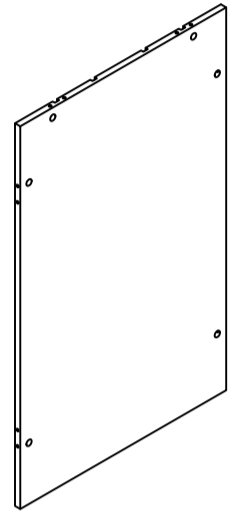
3x1



4x1



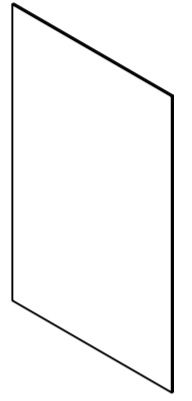
5x1



6x1



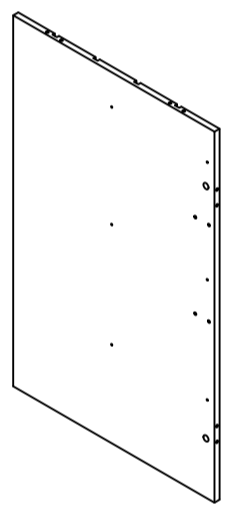
7x1



8x1



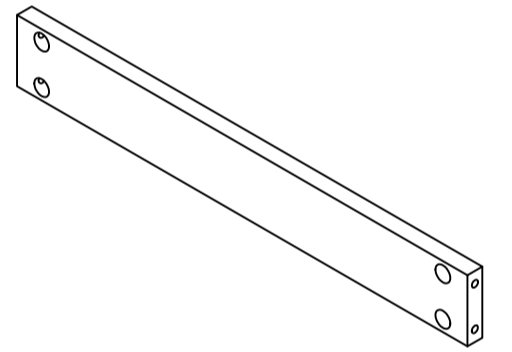
9x1



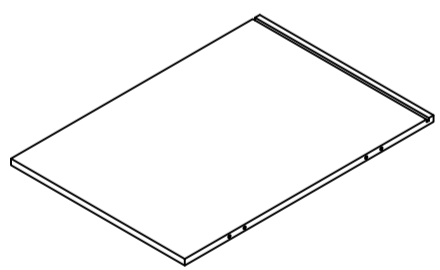
10x1



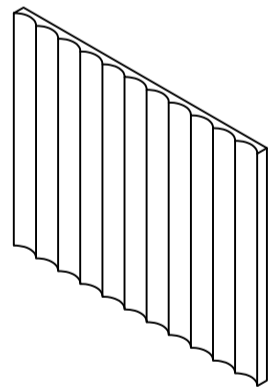
11x1



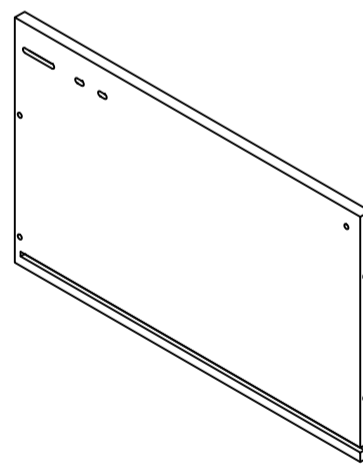
12x2



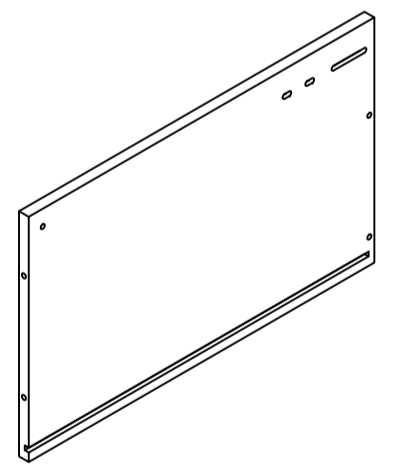
13x1



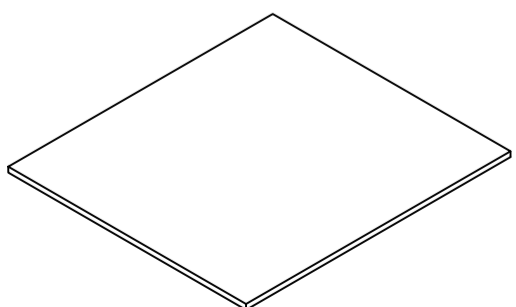
14x1



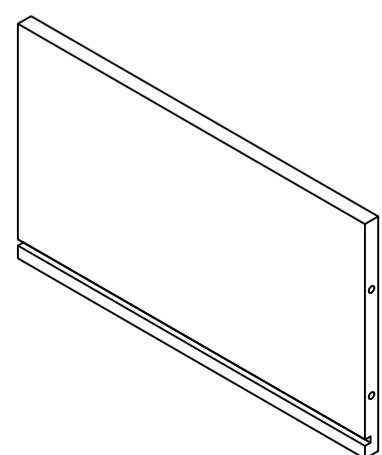
15x1



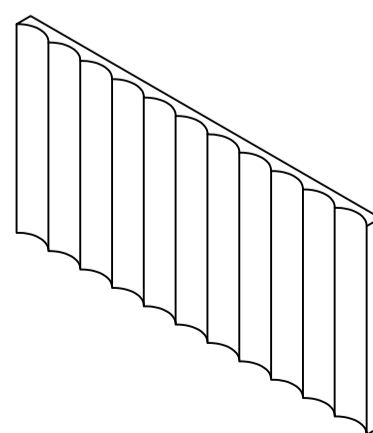
16x1



17x1



18x1

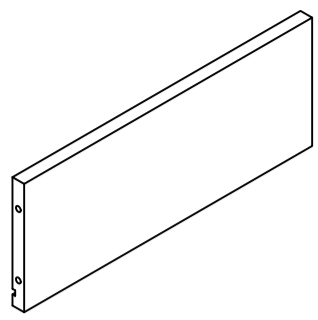


19x2

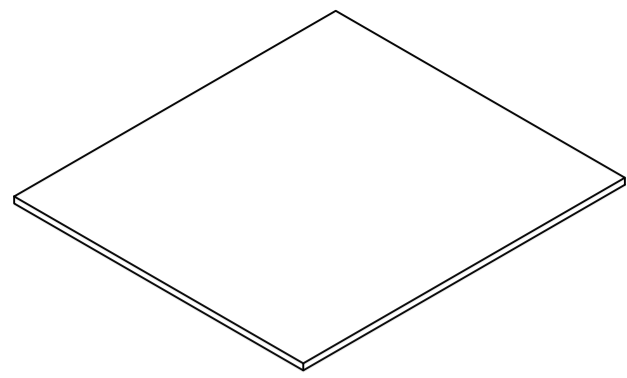


SY

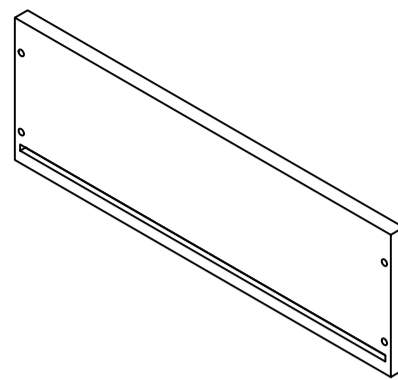
2



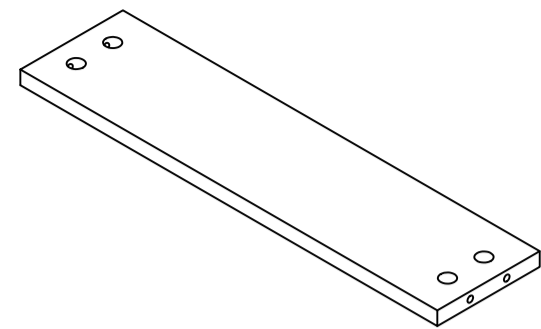
20x4



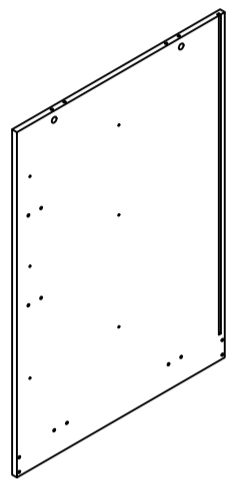
21x2



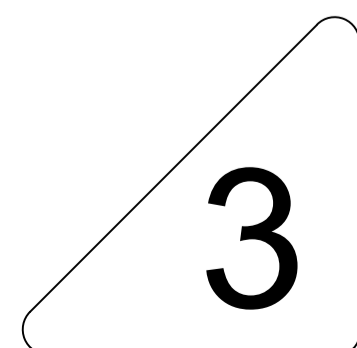
22x2



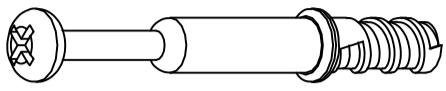

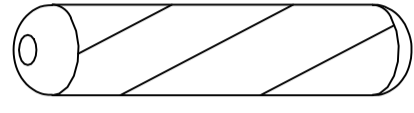
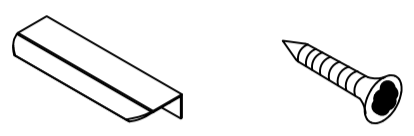
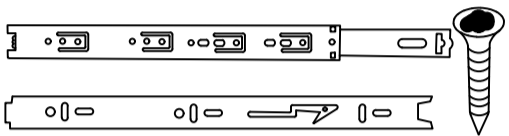
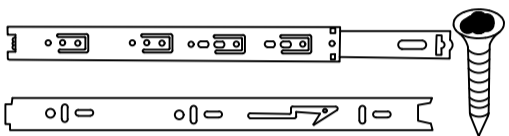
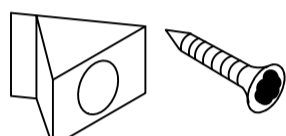
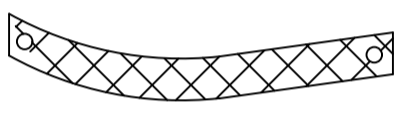

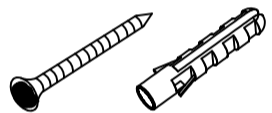
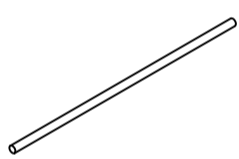


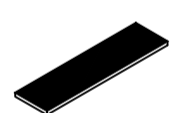
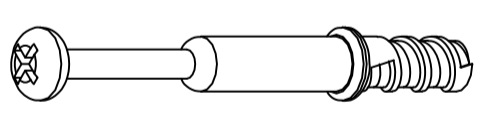
23x2

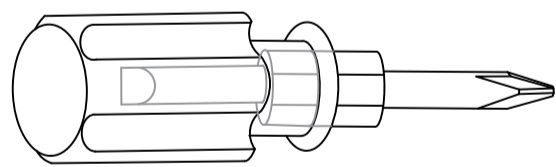


24x1

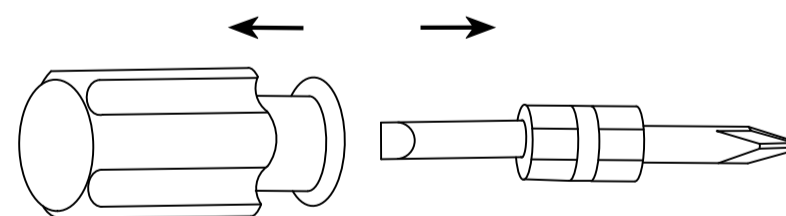


Accessories list

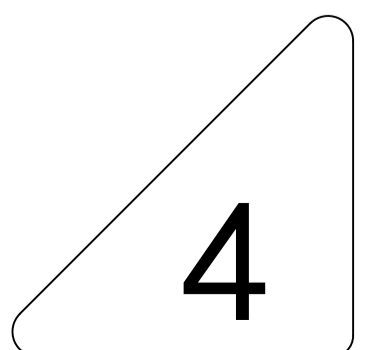
A		Two In One Screw (6x33mm)	56pcs +3pcs
B		Two In One Nut (15x10mm)	74pcs +3pcs
C		Wood Chipping (6x30mm)	18pcs +1pcs
D		Handle & Screw (3.5x12mm)	3pcs / 6pcs +1pcs
E		Screw & Guide 12 inches (3x12mm)	4pcs / 20pcs +2pcs
F		Screw & Guide 16 inches (3x12mm)	2pcs / 12pcs +1pcs
G		Fixing clip & screw (3x17mm)	6pcs +1pcs
		Anti-tipping tape	1pcs
H		Screw (3.5x12mm) Gasket	1pcs
		Countersunk head tapping Screw (4x45mm)	1pcs
I		Iron wire	2pcs
J		Foot pads 36*36x2mm-R18	2pcs
K		Foot pads 36*36x2mm	2pcs
L		Foot pads	2pcs
M		Two In One Screw (6x35mm)	18pcs +2pcs



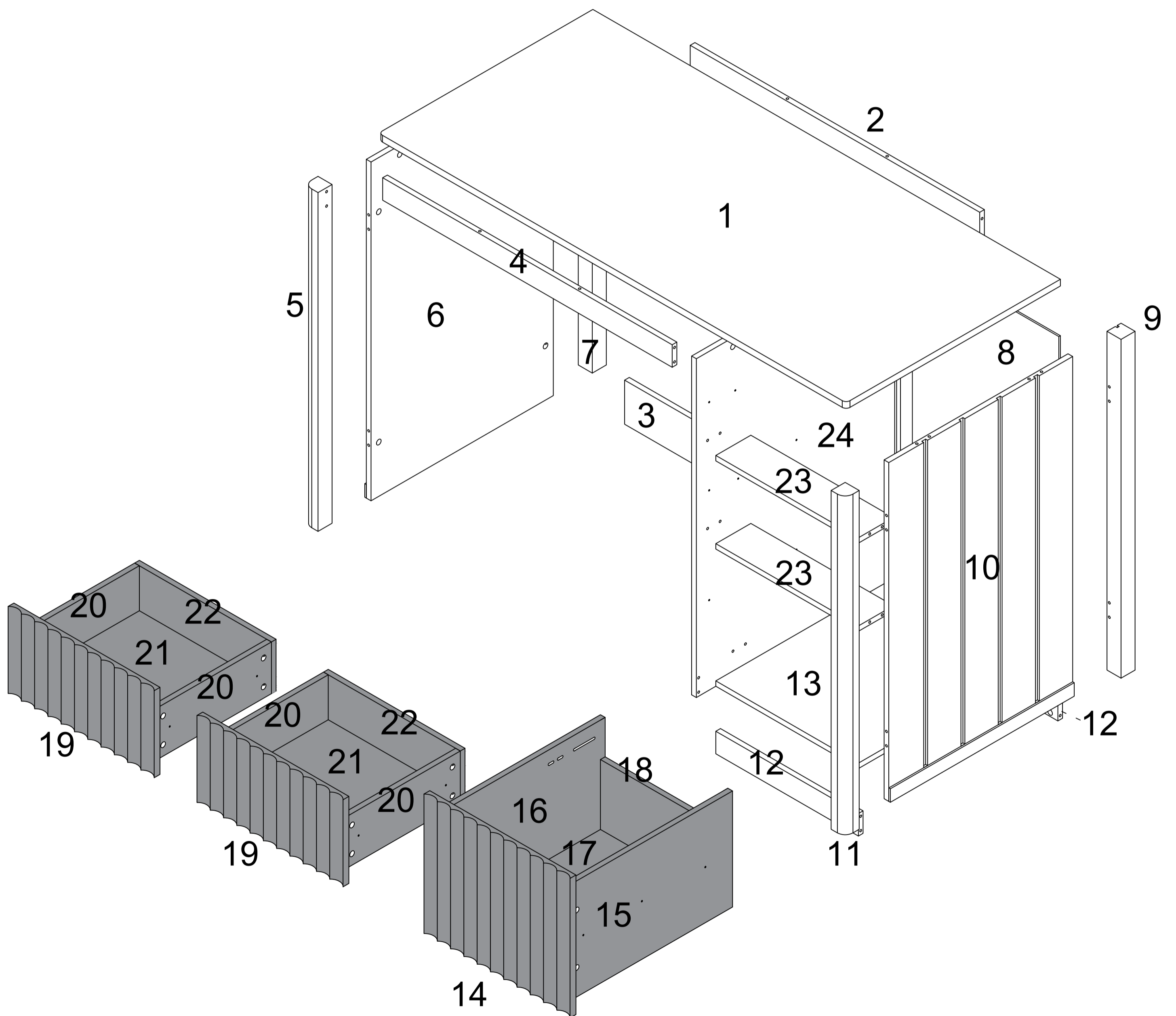
1pcs



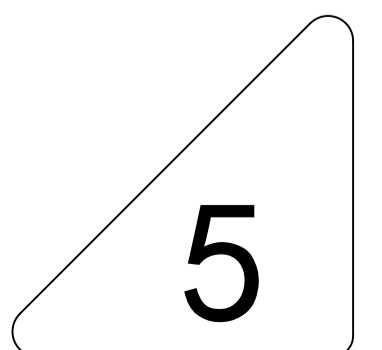
Double-head screwdriver, use as required



Product Explosion diagram

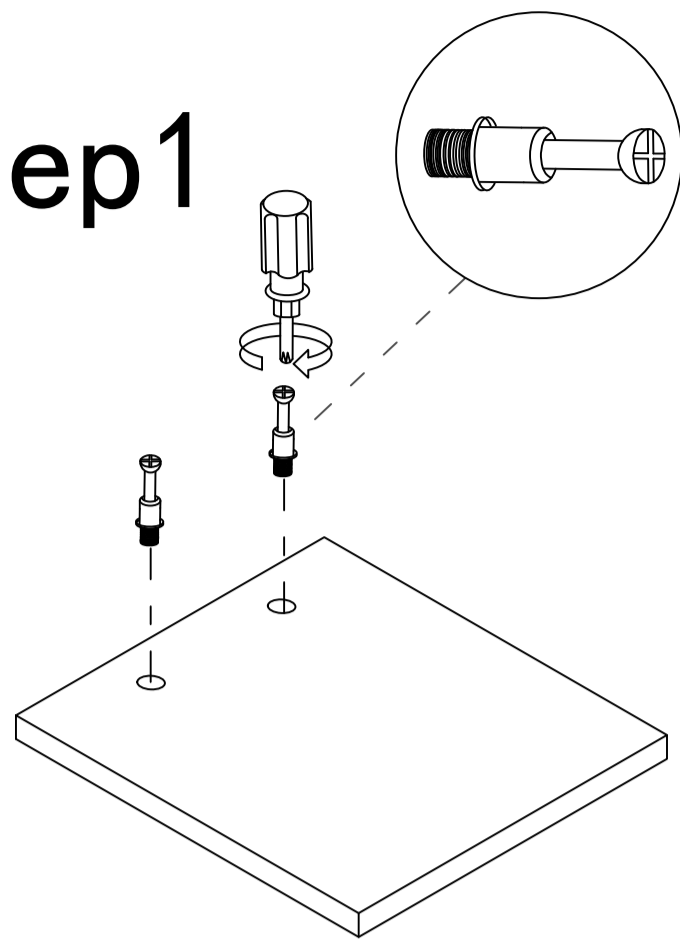


SY

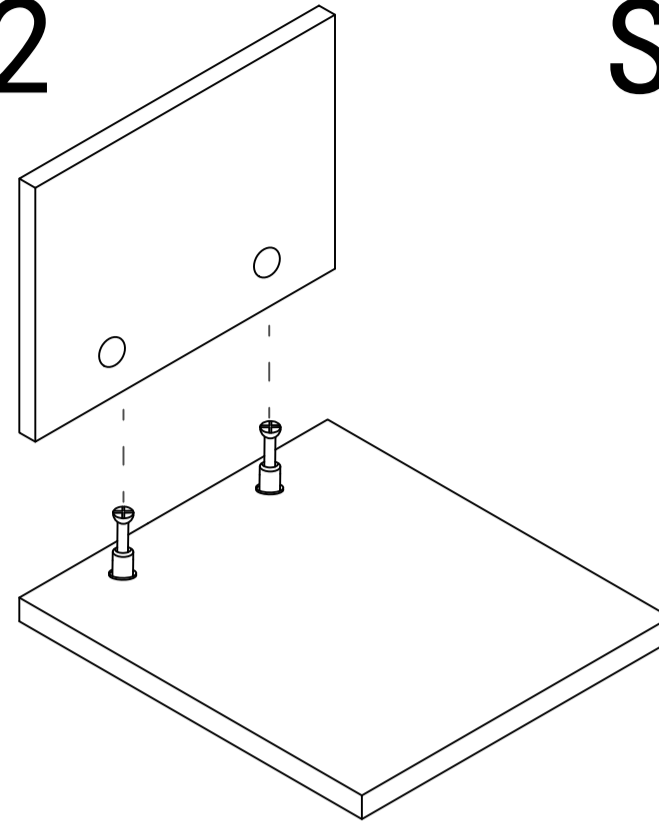


Use parts A and B

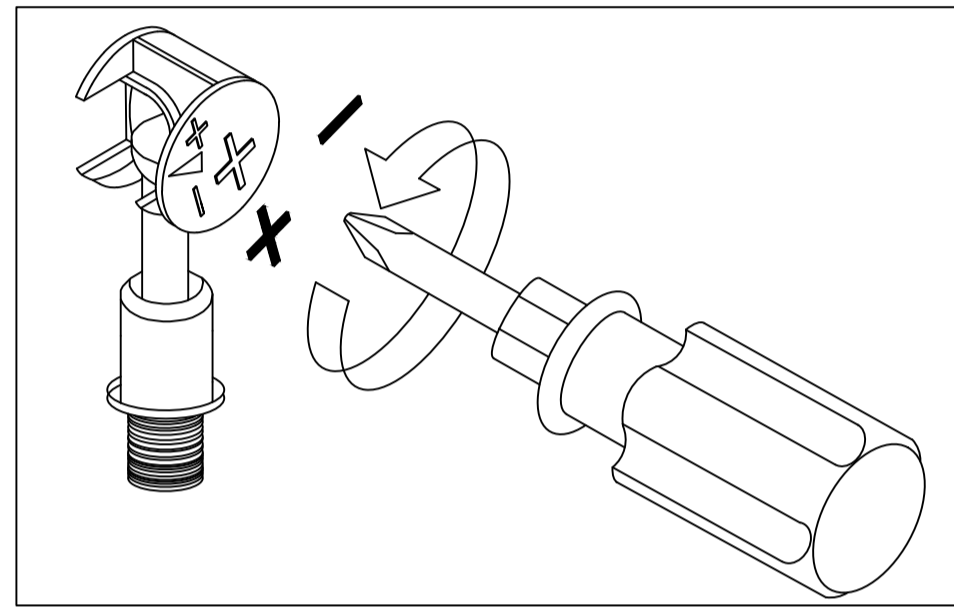
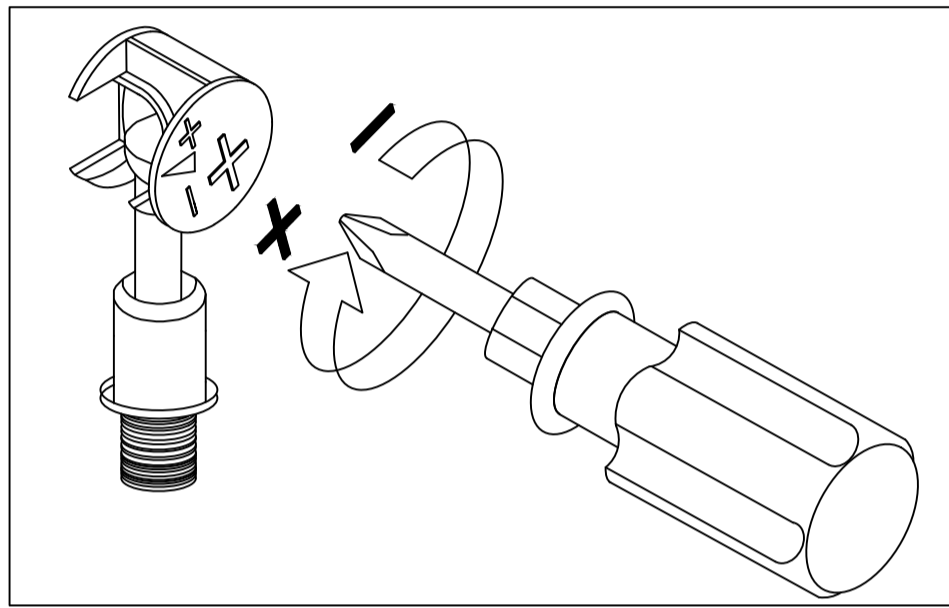
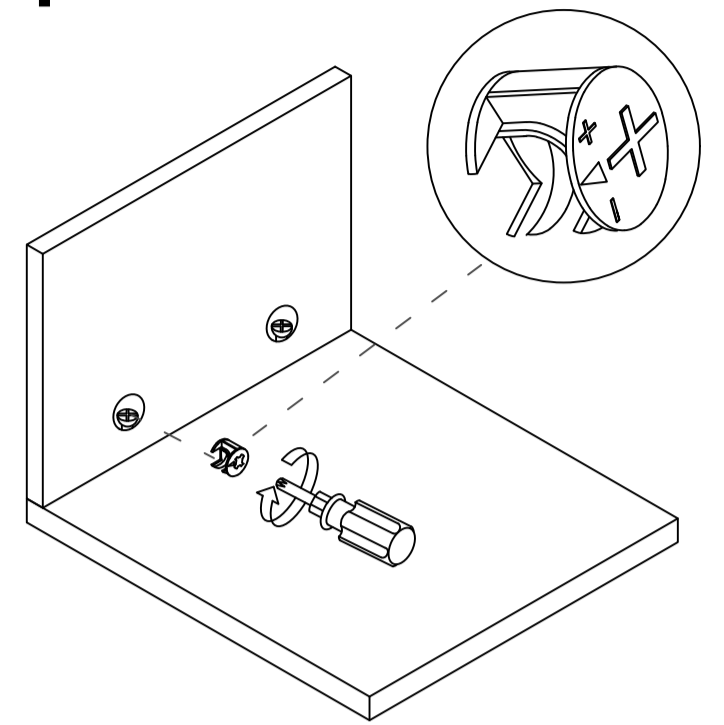
Step 1



Step 2



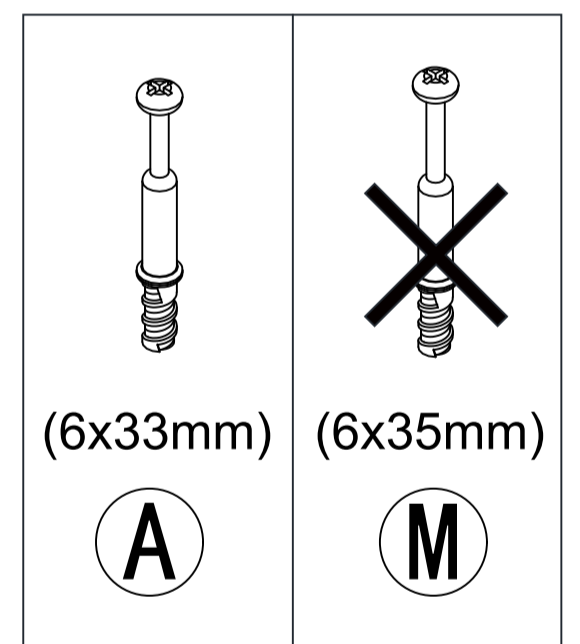
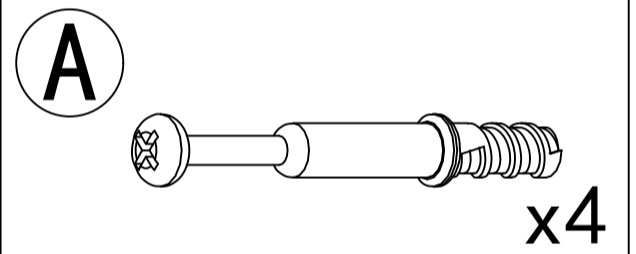
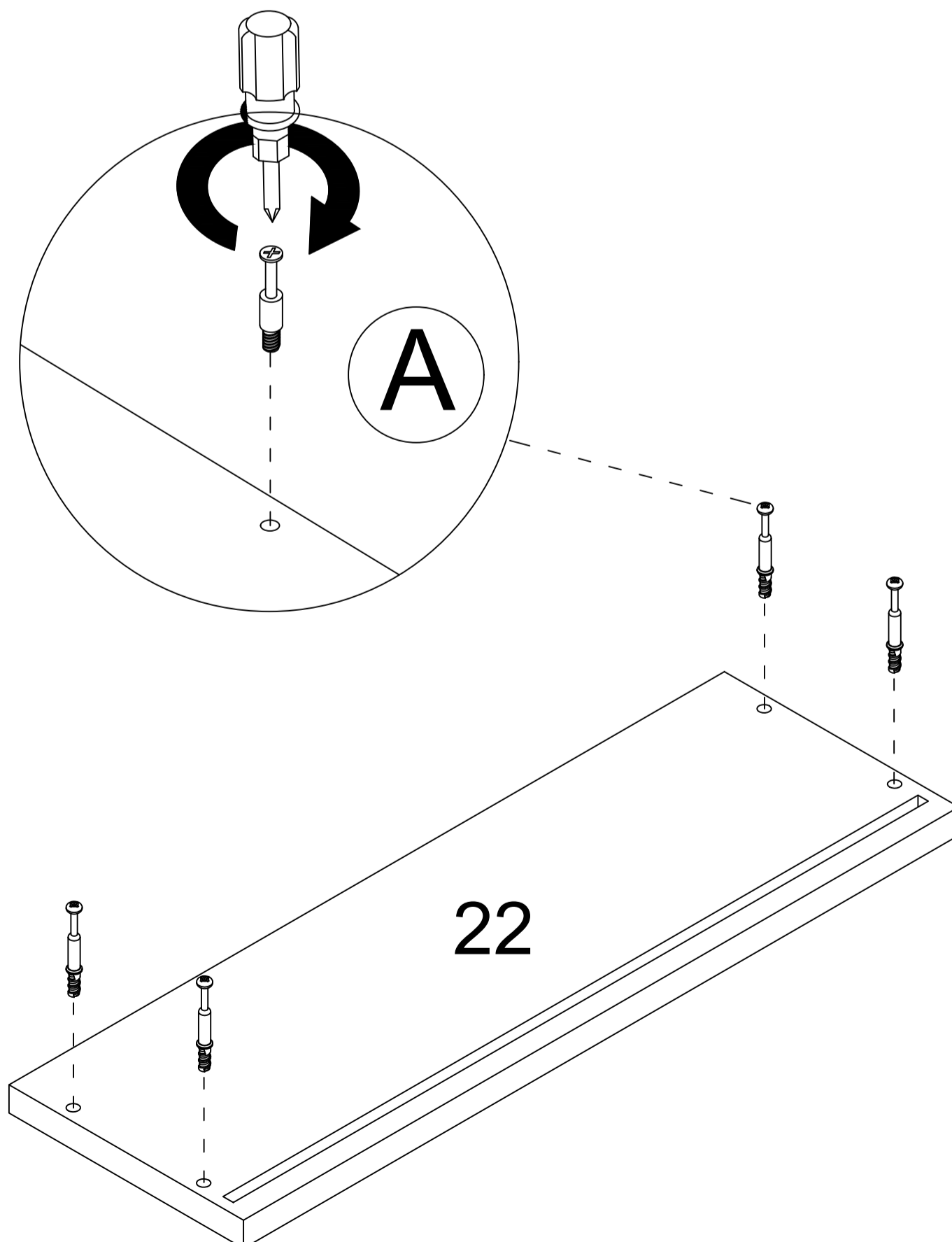
Step 3



Use a screwdriver to lock in the direction of the "+" sign

Disassemble along the direction of "-" sign

Step 1

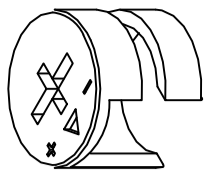


6

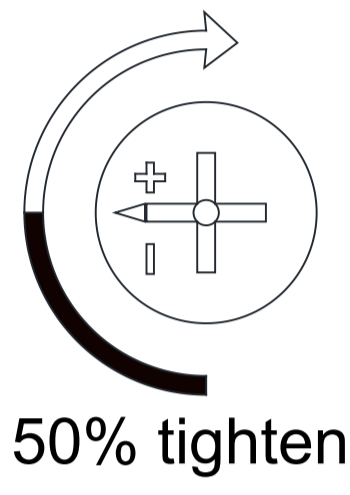
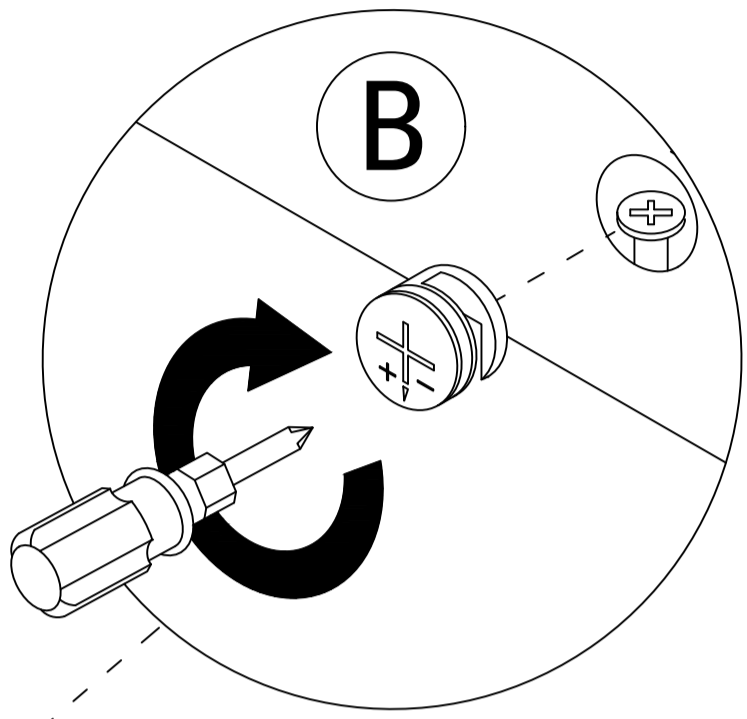
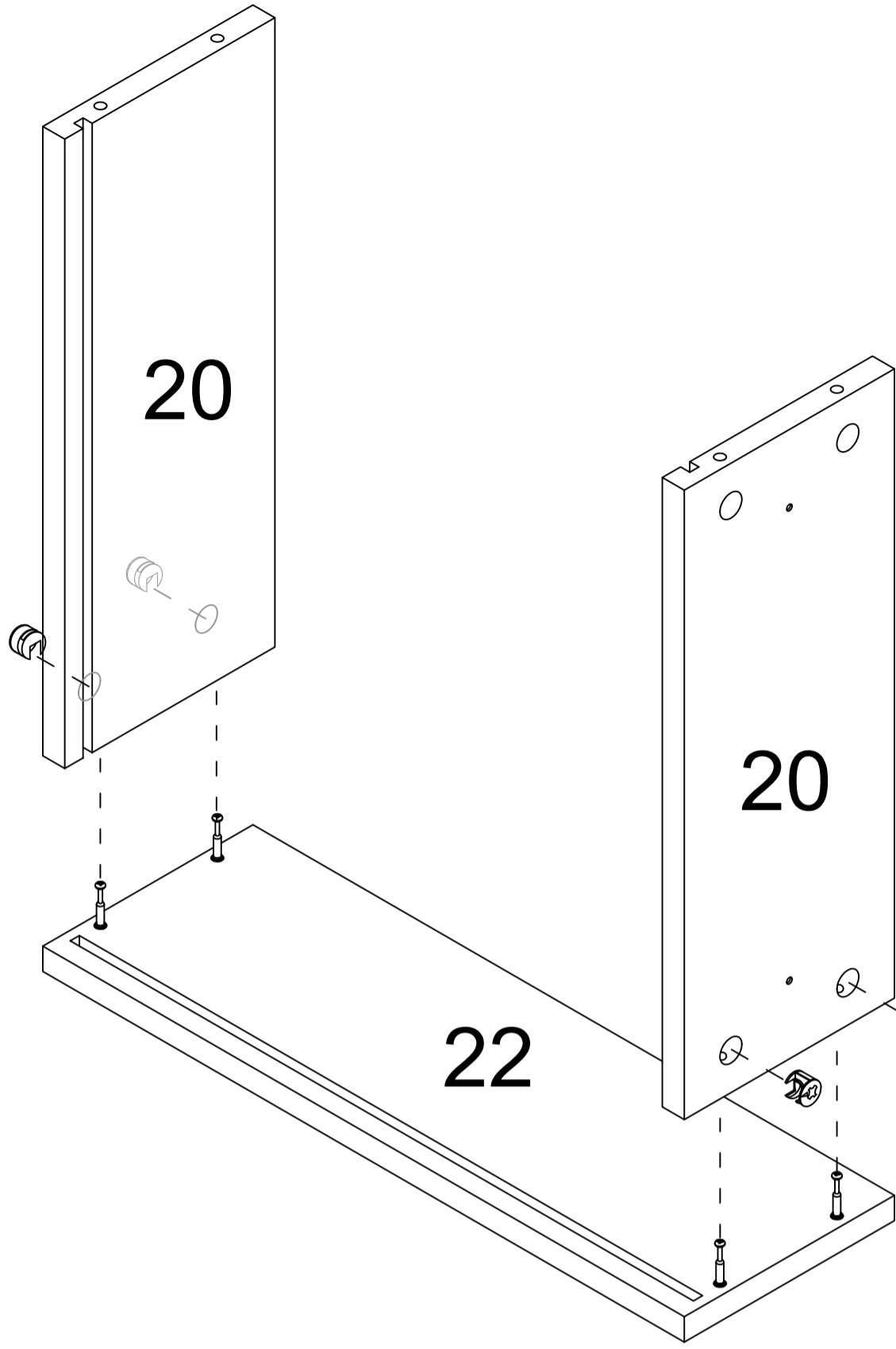
SY

Step 2

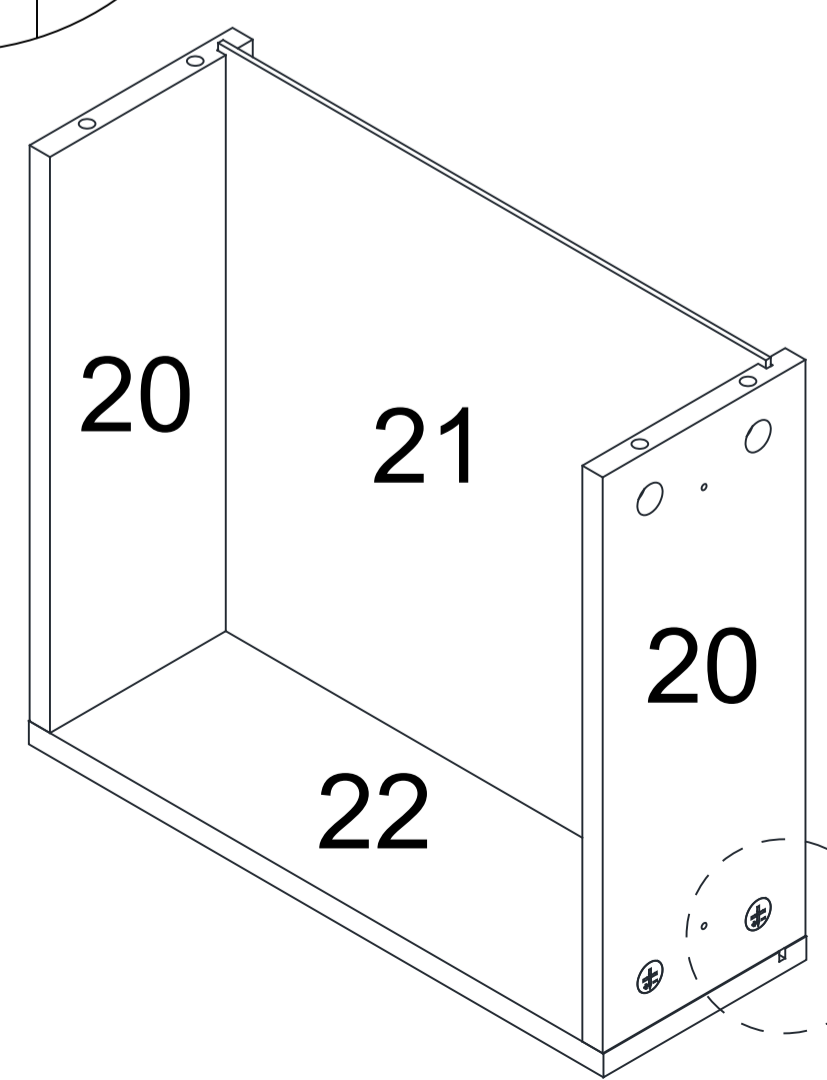
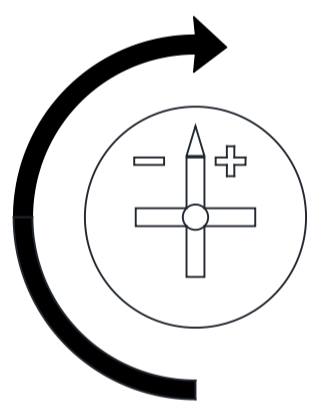
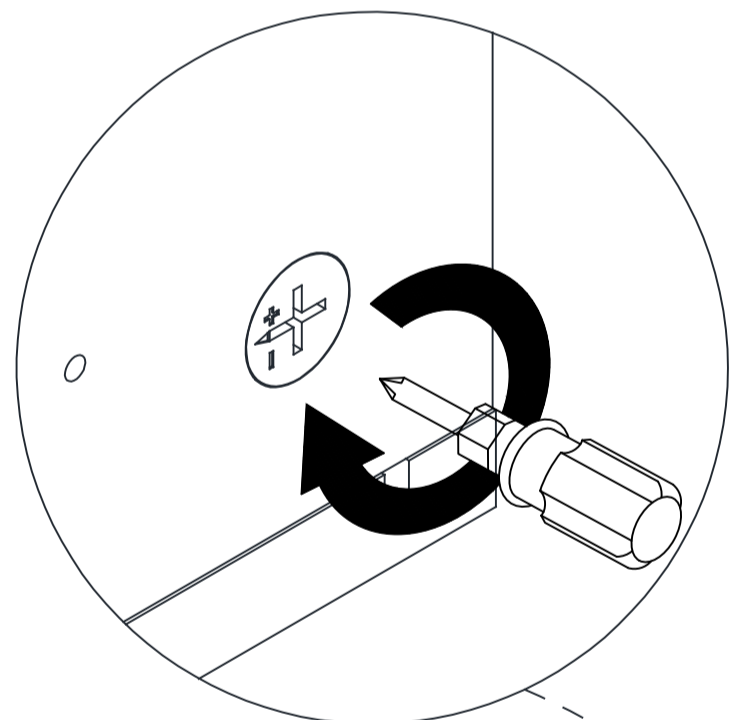
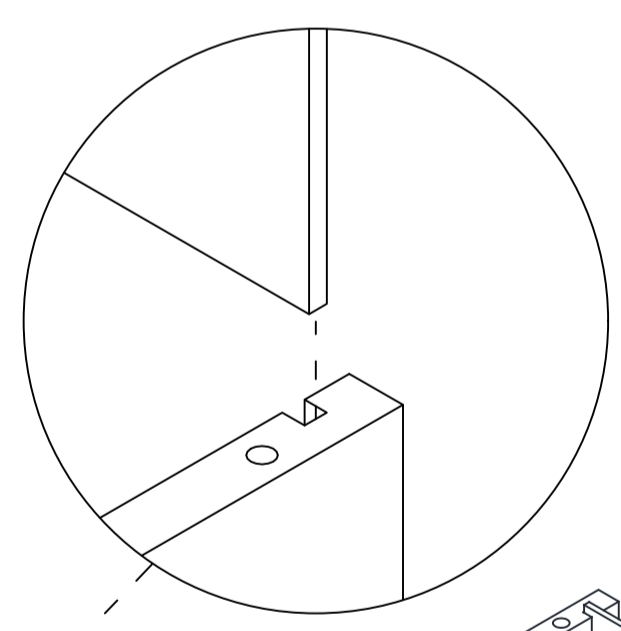
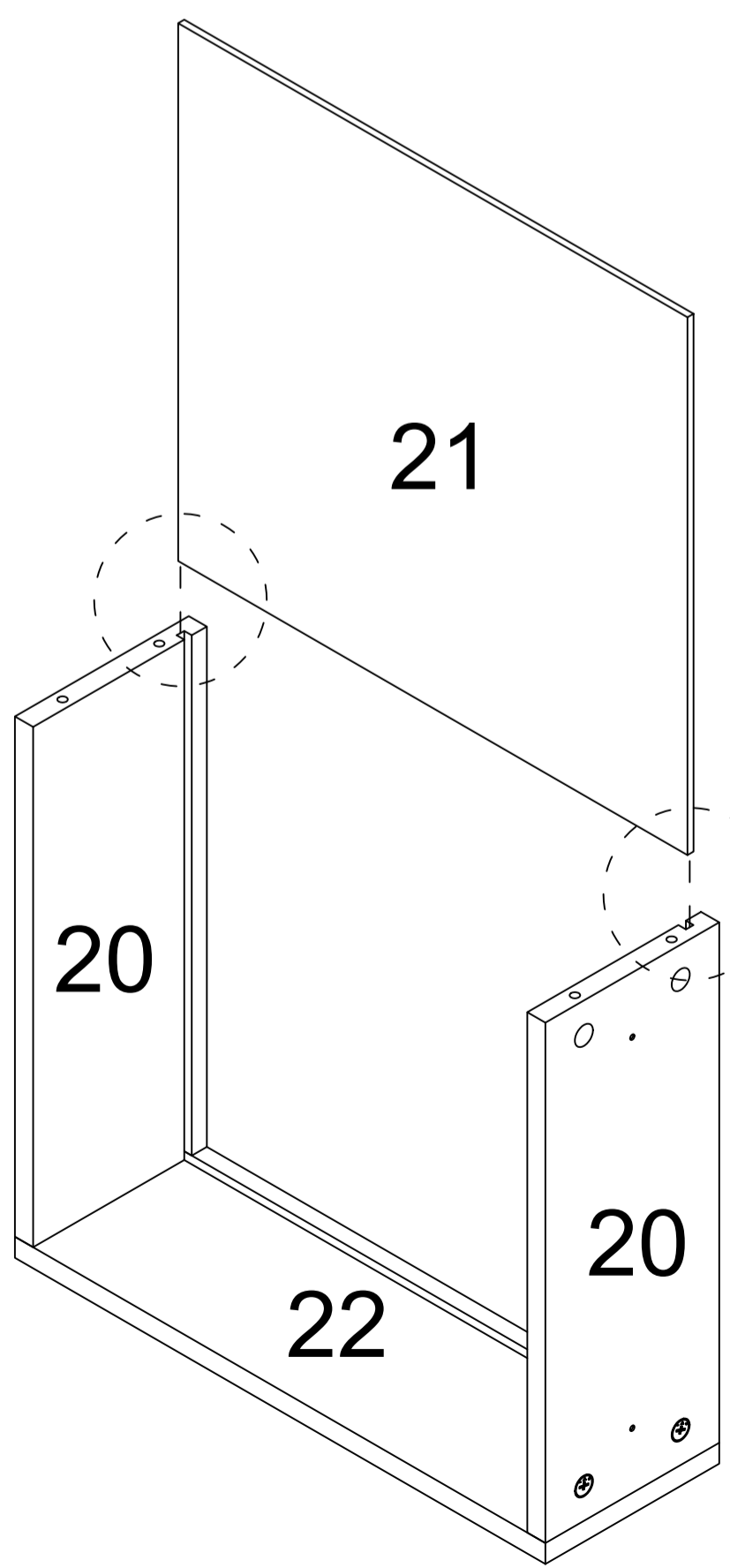
B



x4



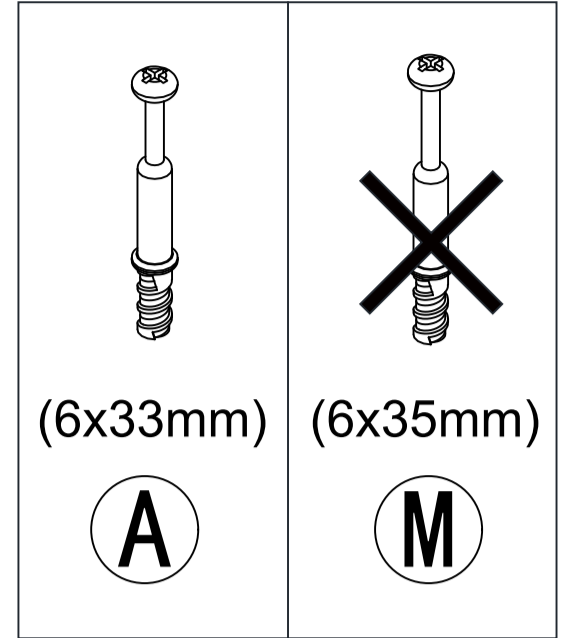
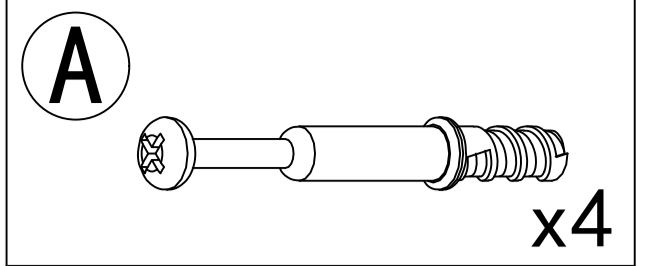
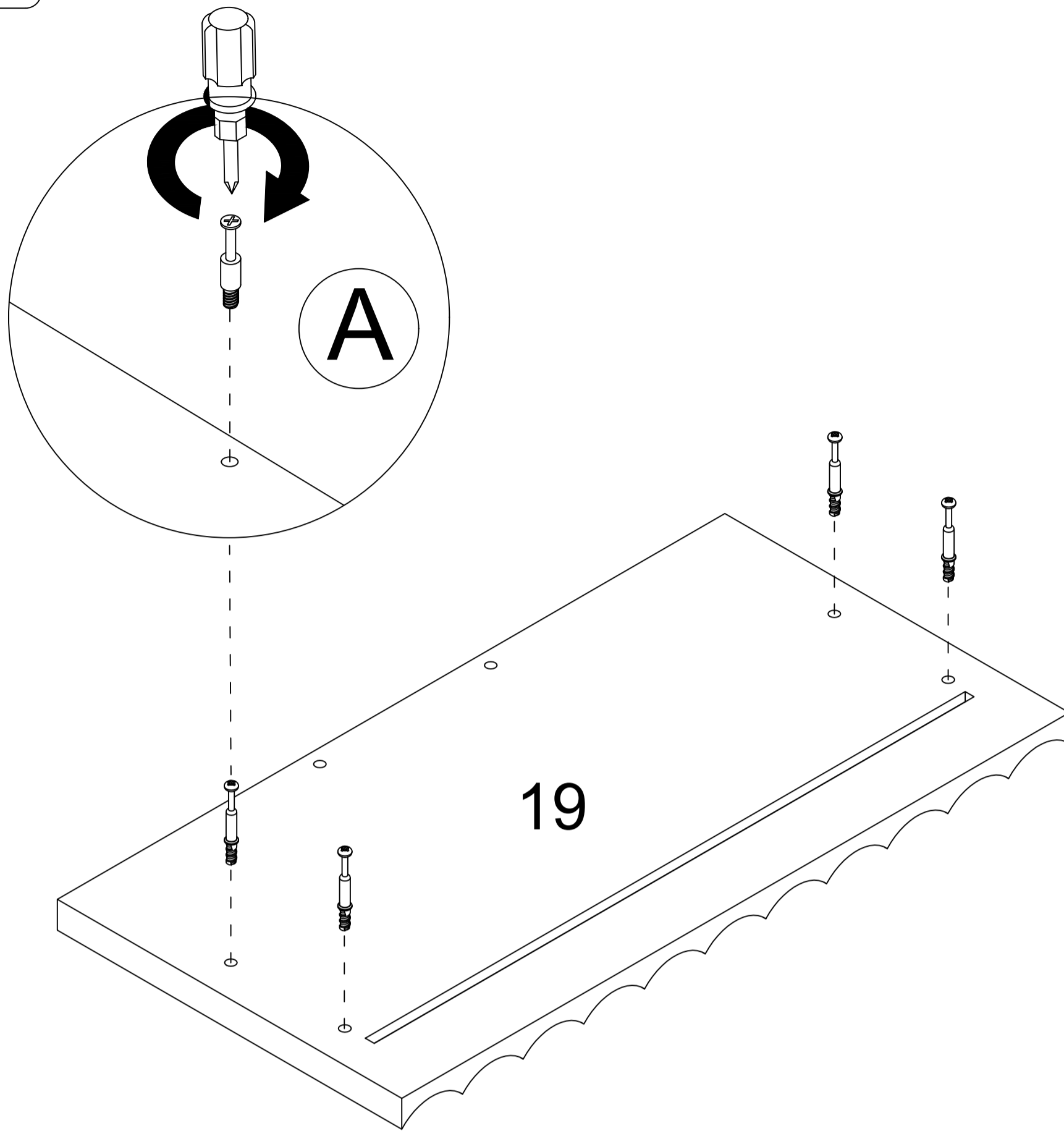
Step 3



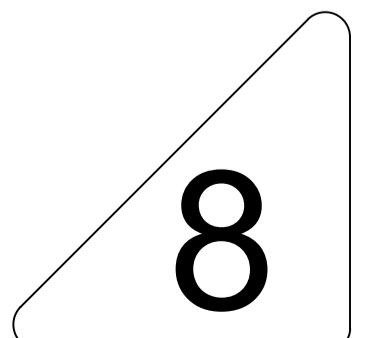
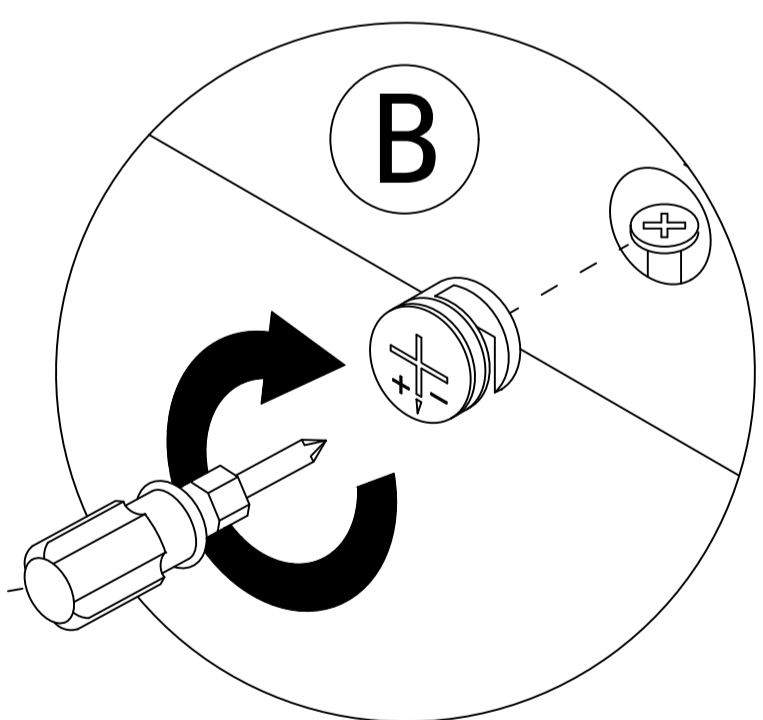
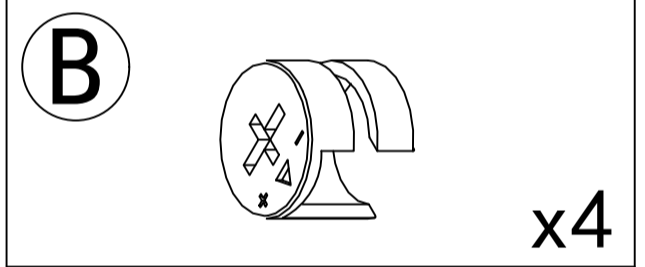
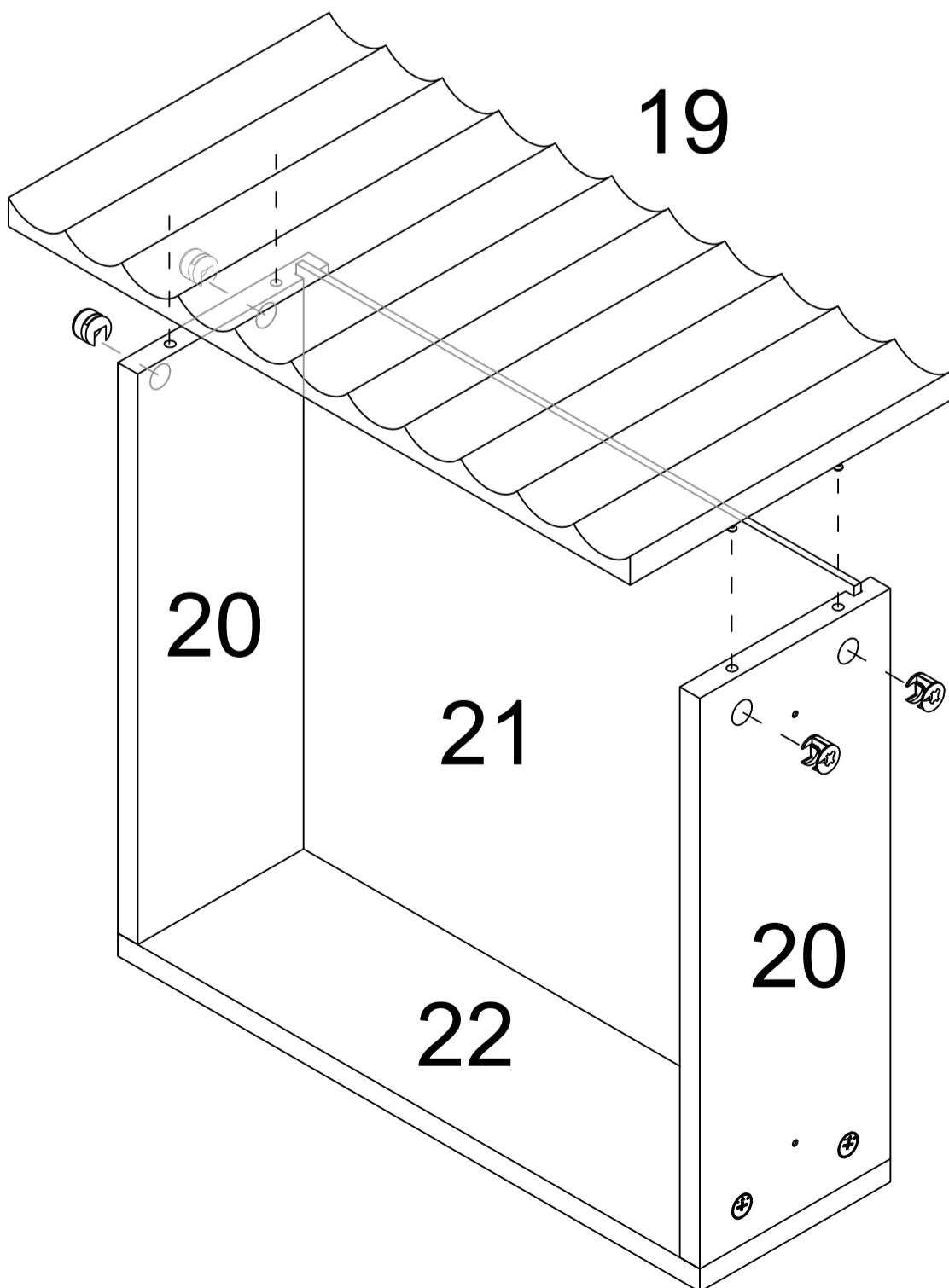
7

SY

Step 4

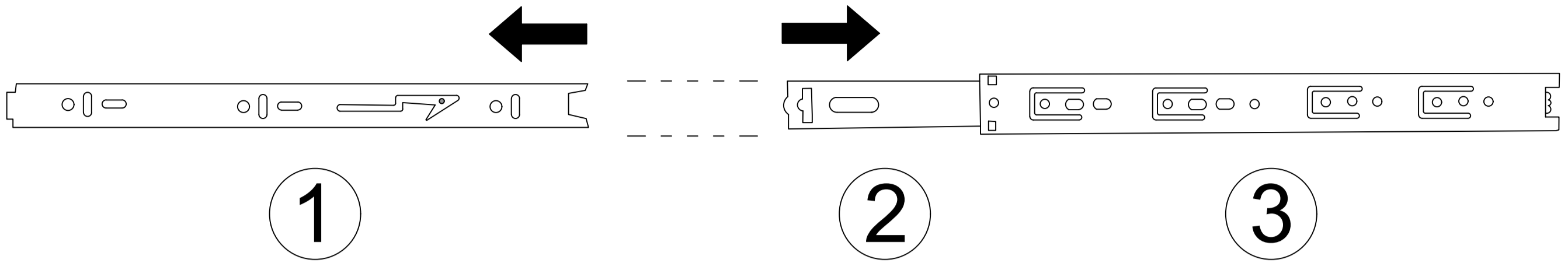


Step 5



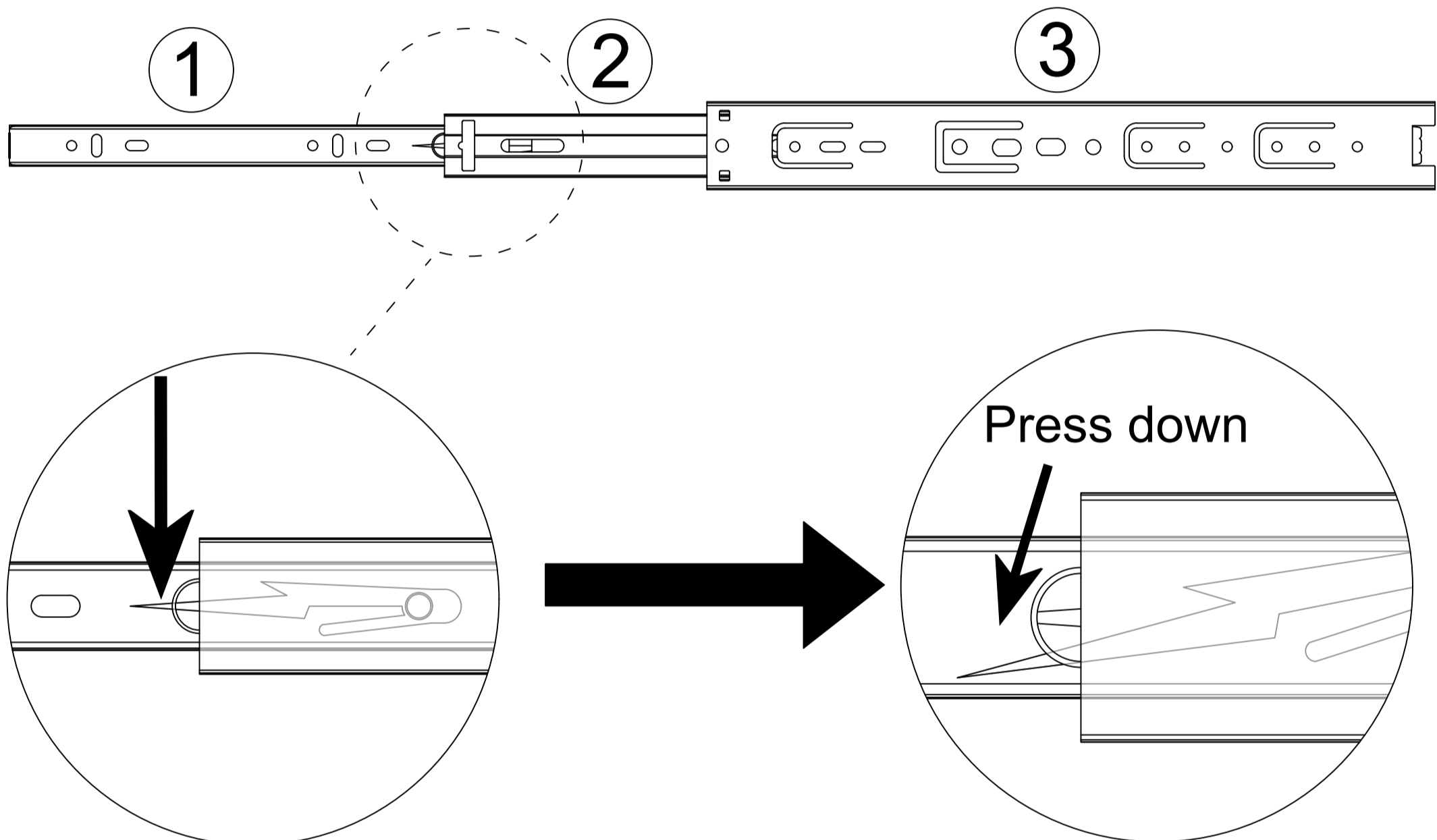
SY

Drawer rail breakdown diagram



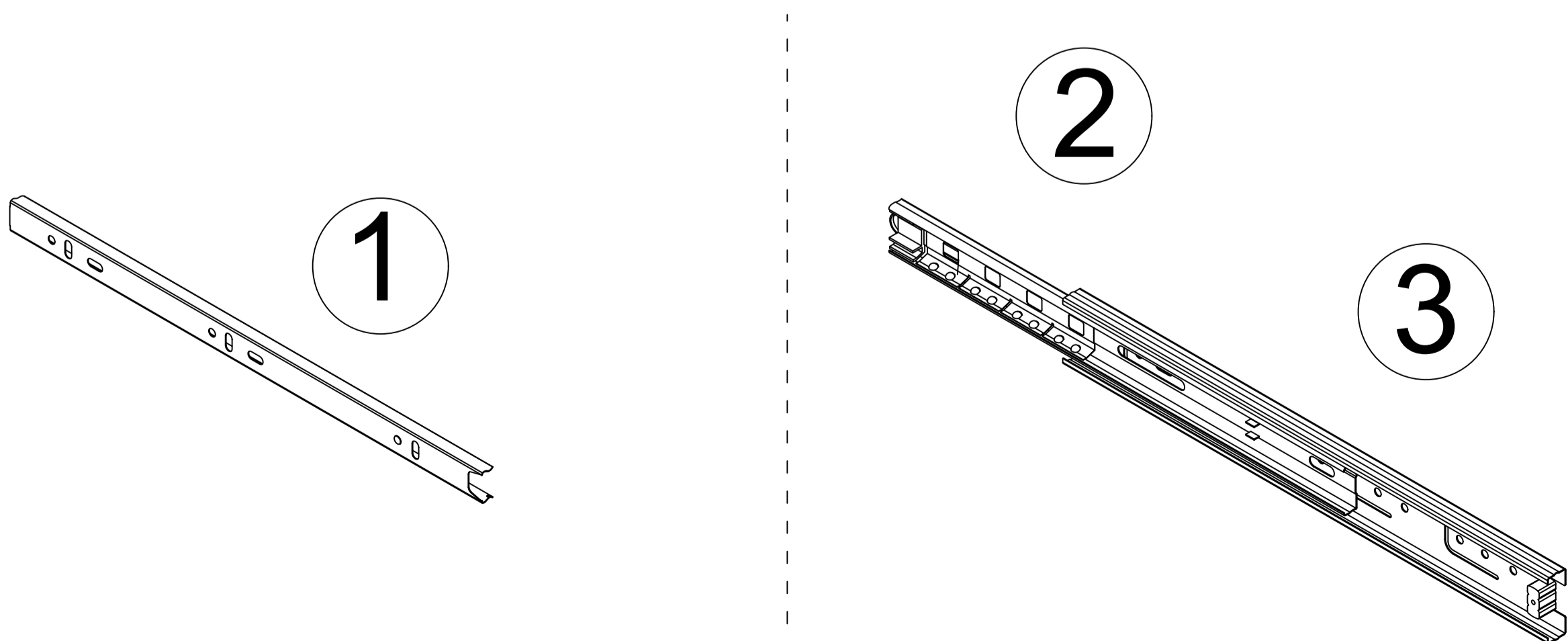
① Dismantle the schematic diagram

Step 1 : Pull the rails apart

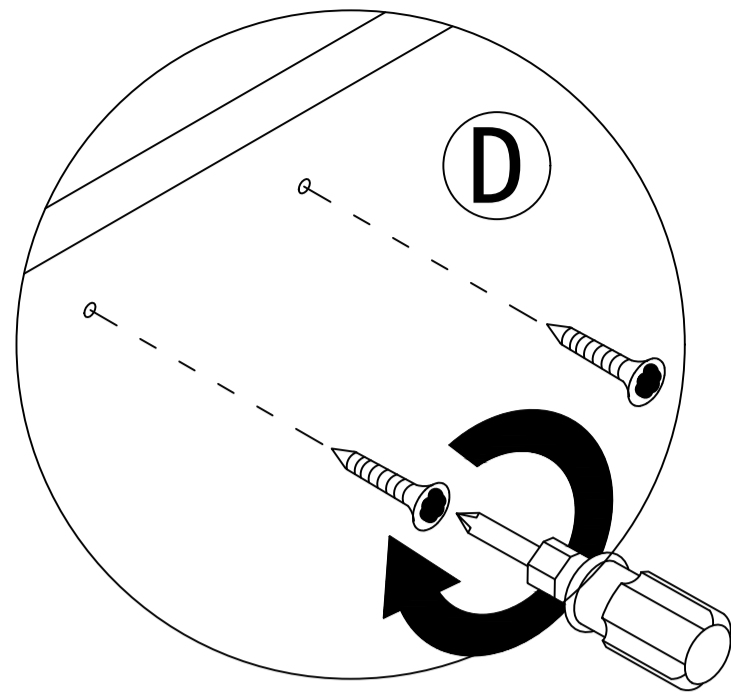


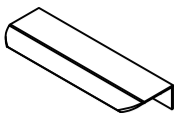

Step 2 : Press the nylon button and pull out ①.

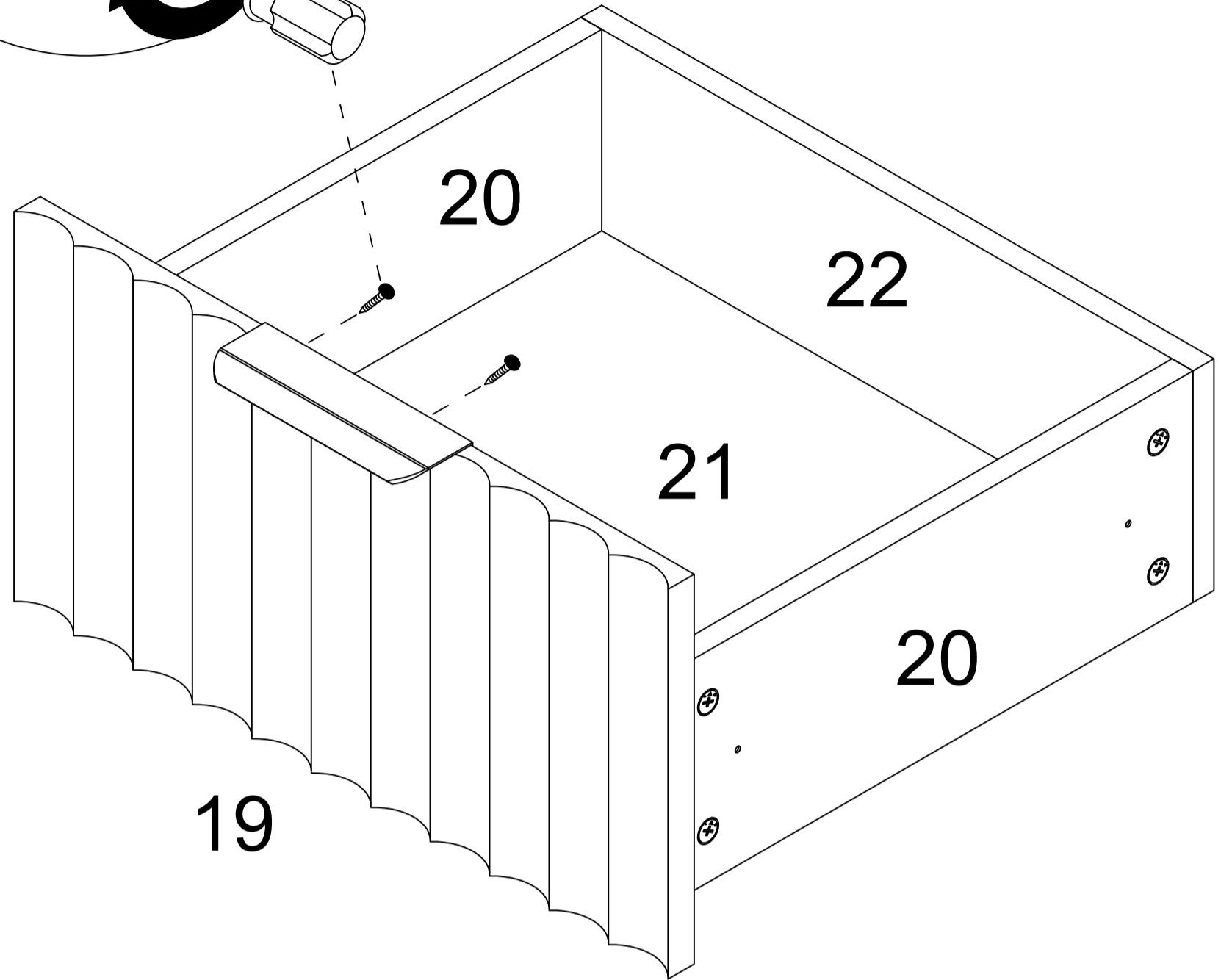
Drawer rail decomposition completed schematic diagram



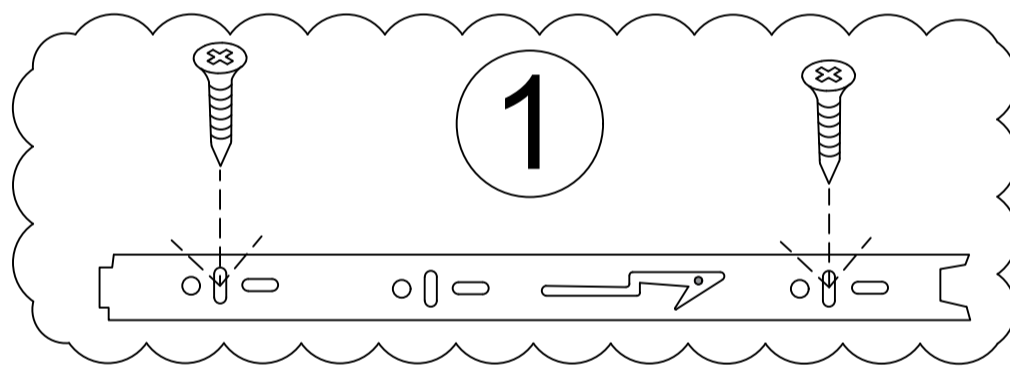
Step 6

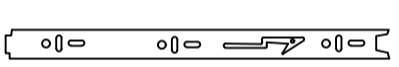



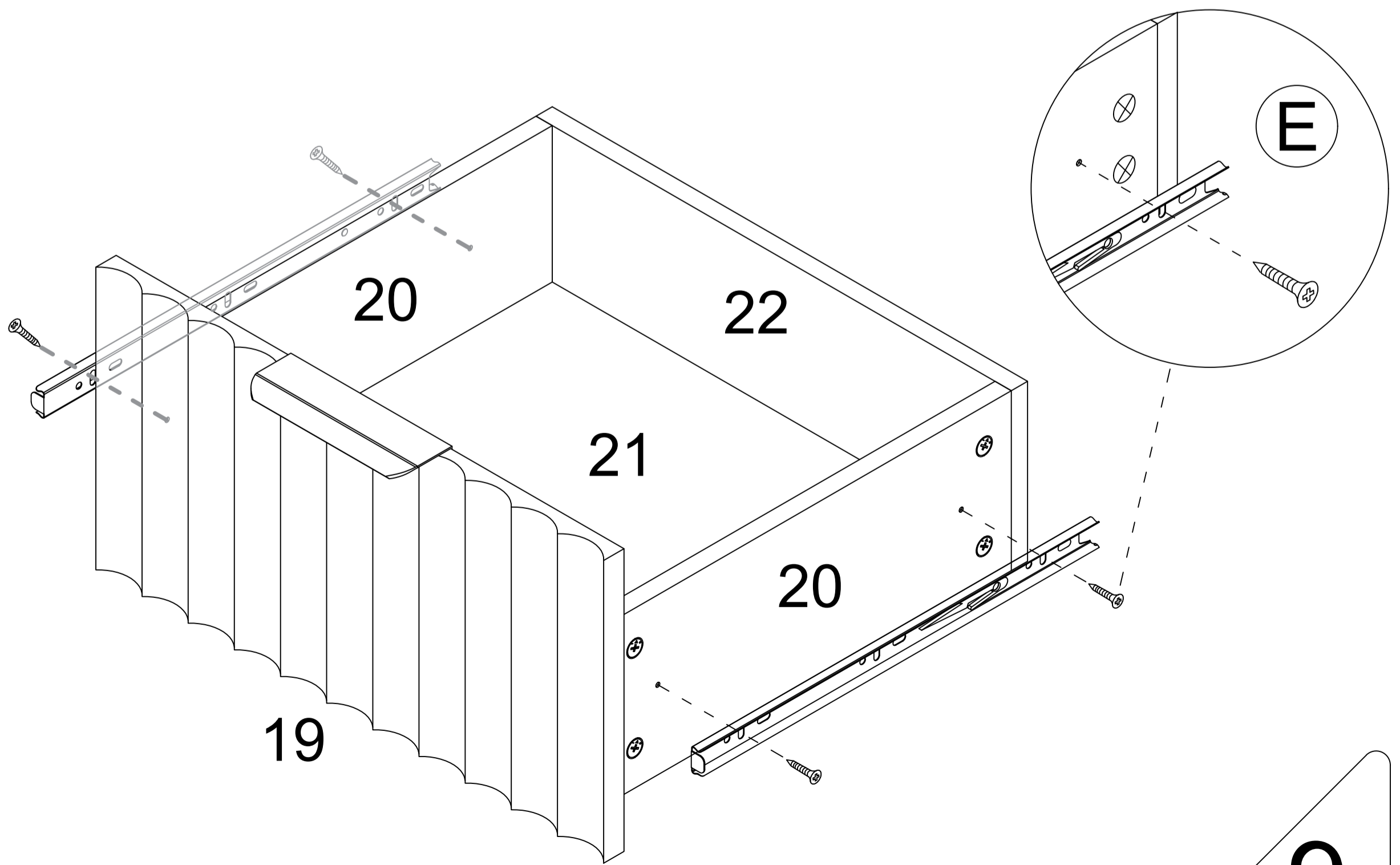
- D**  x1
-  x2



Step 7

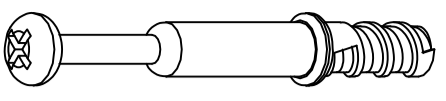

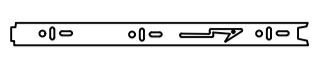

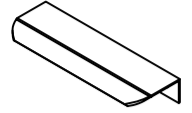



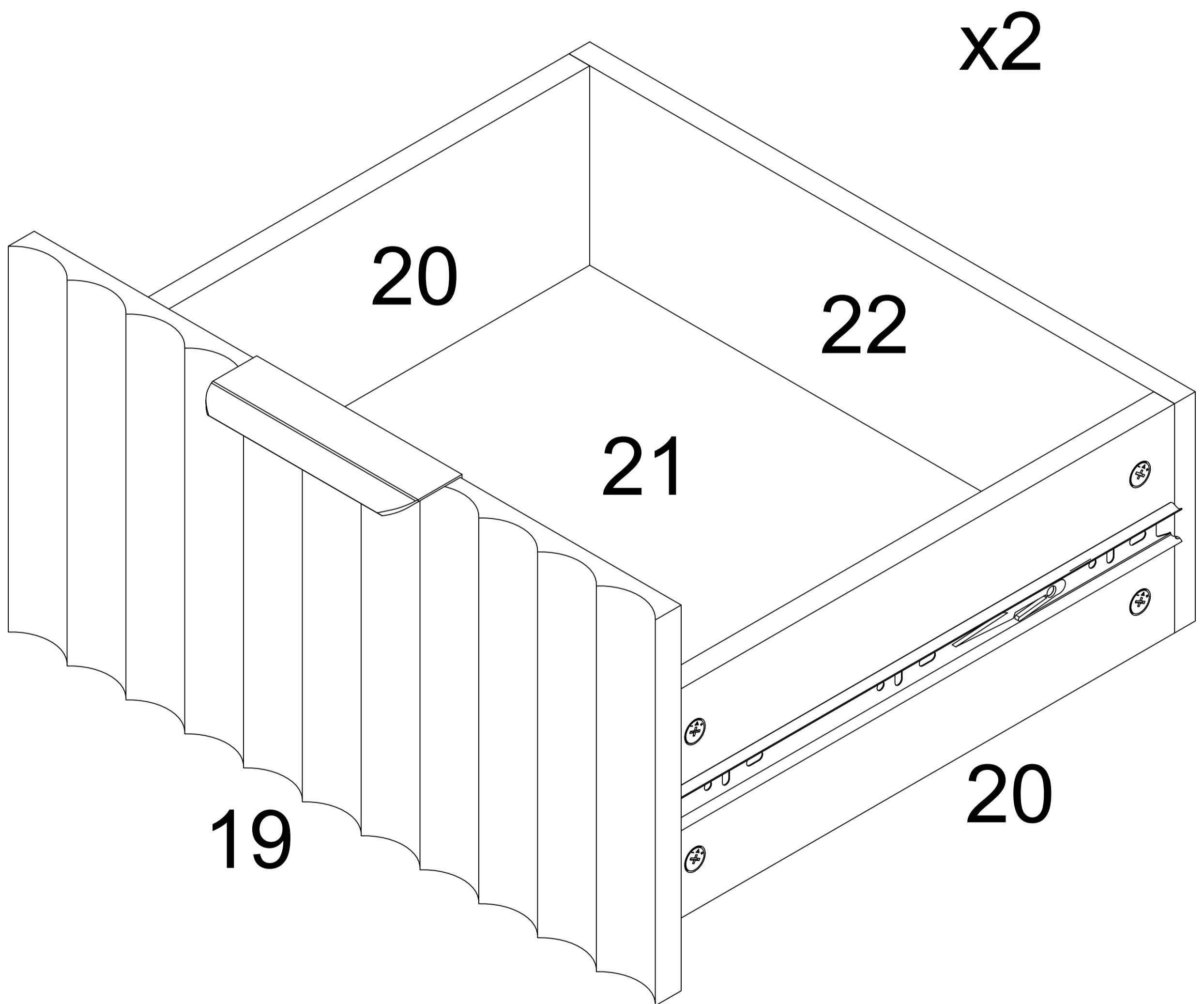
- E**  x2
-  x4



SY

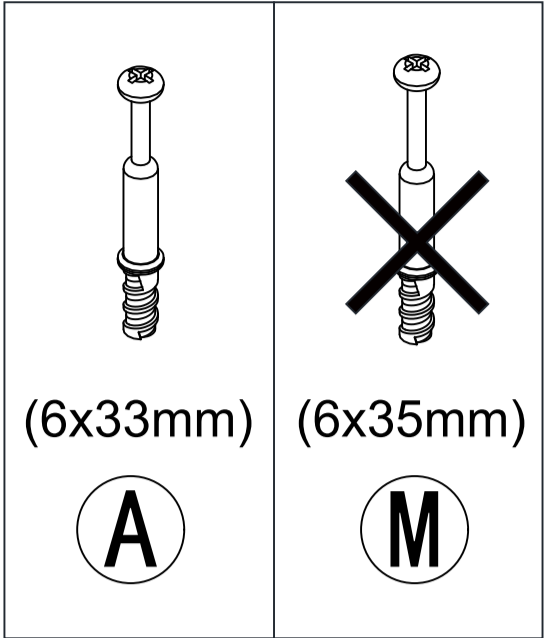
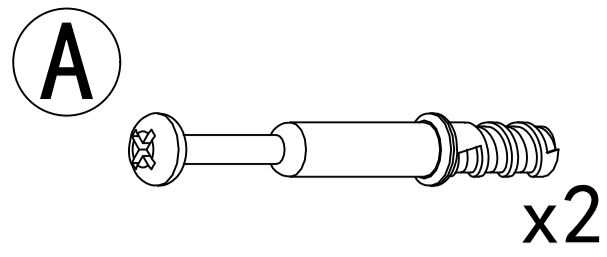
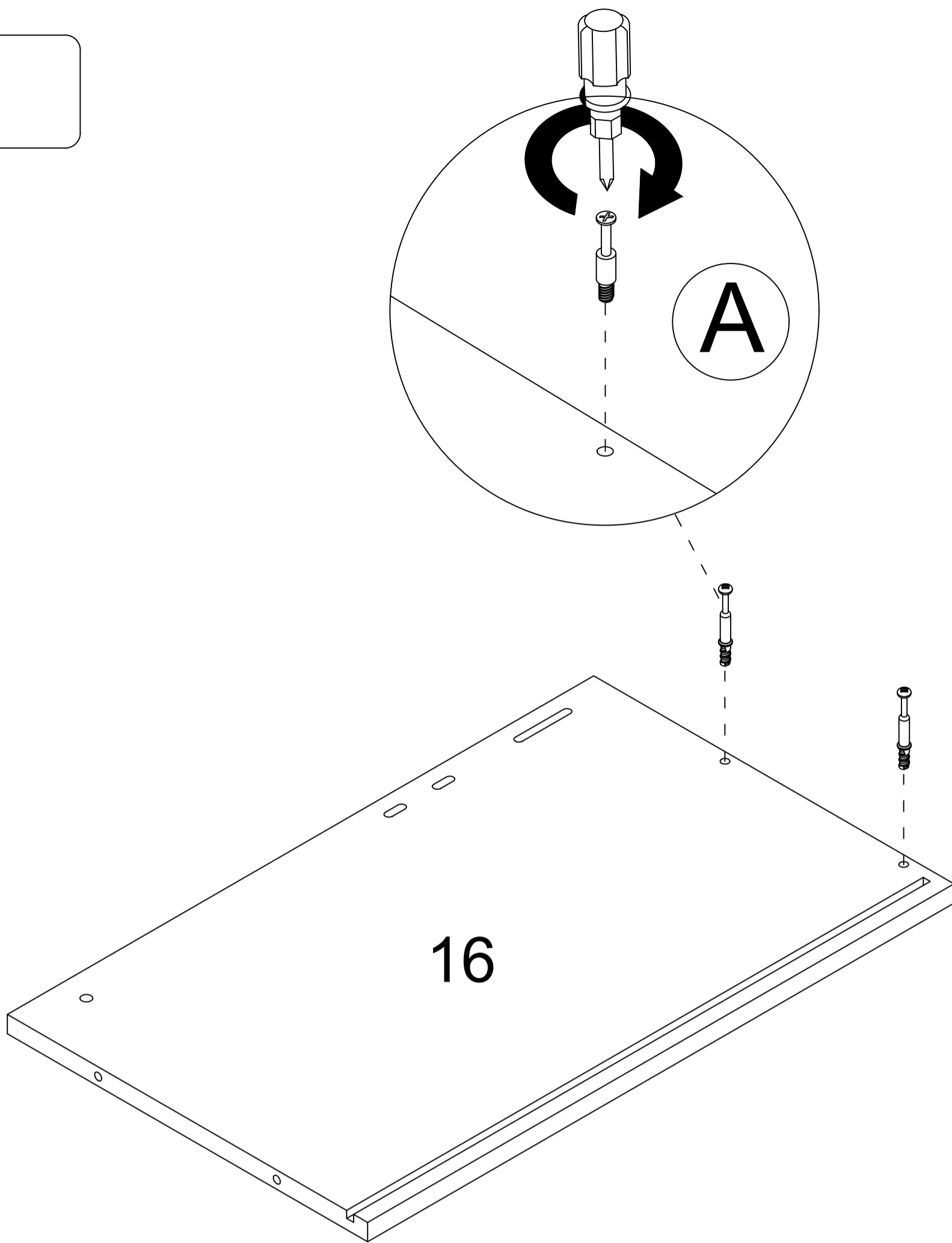
Step 8

A  x16	B  x16
E  x4  x8	D  x2  x4

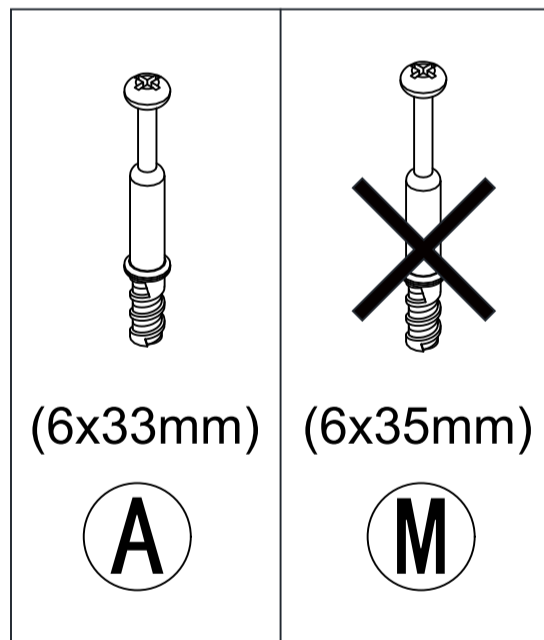
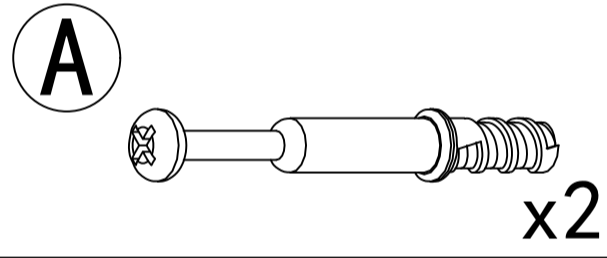
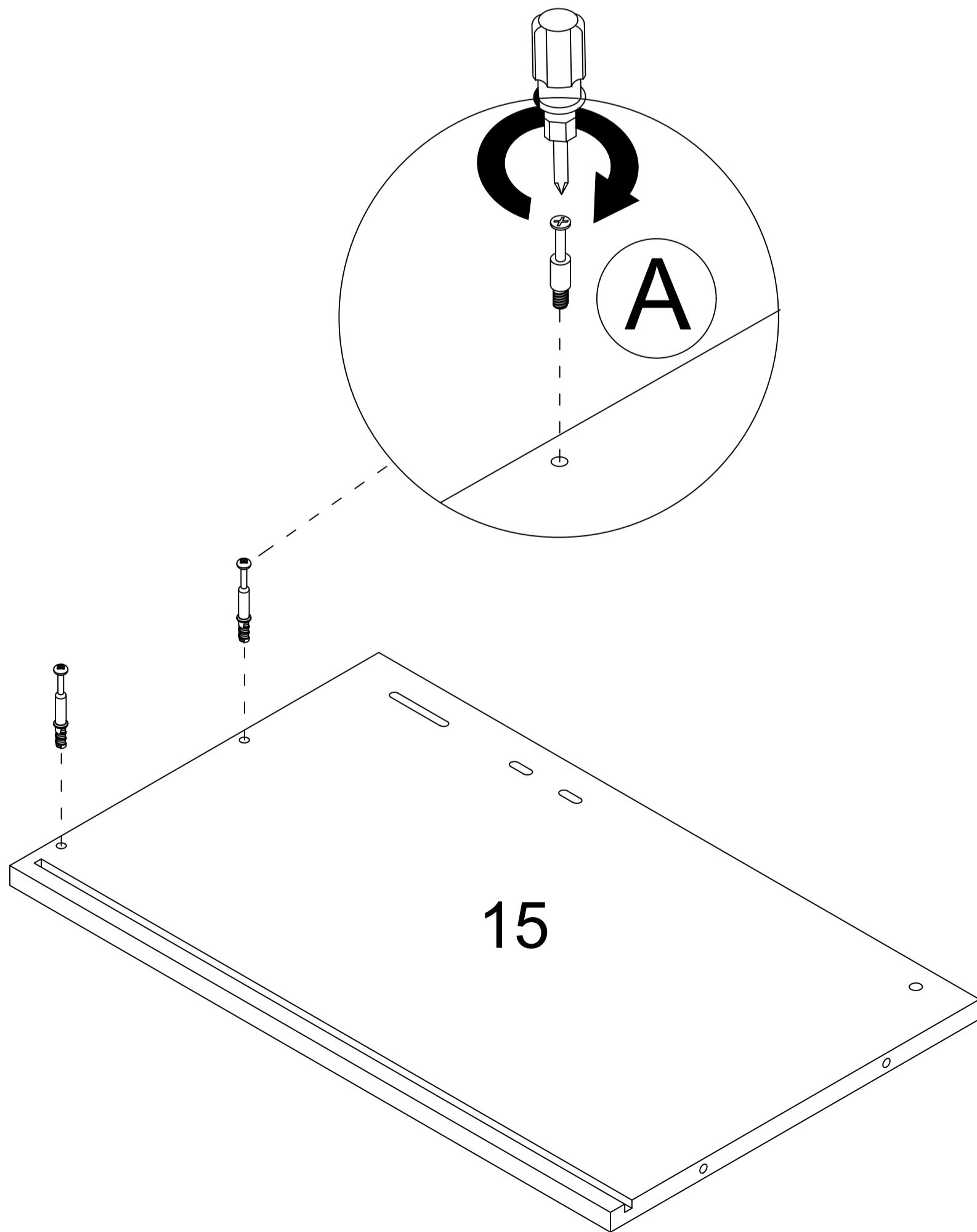


Repeat the drawer installation steps

Step 9

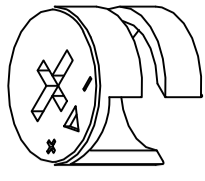


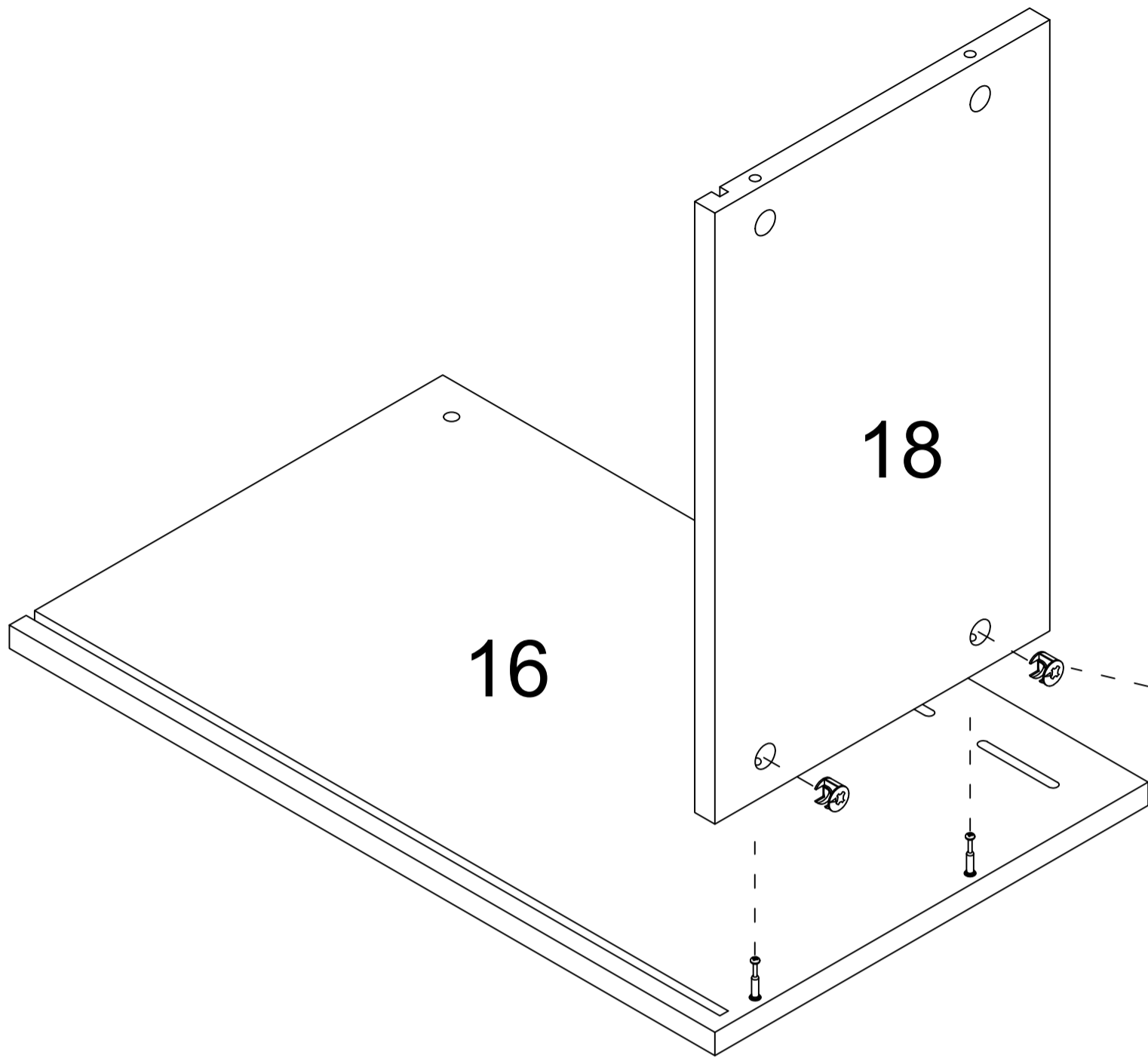
Step 10

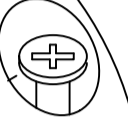
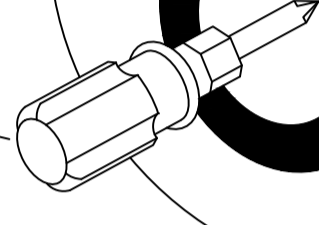
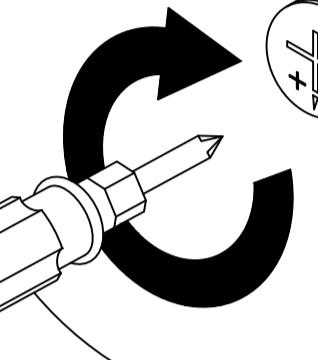


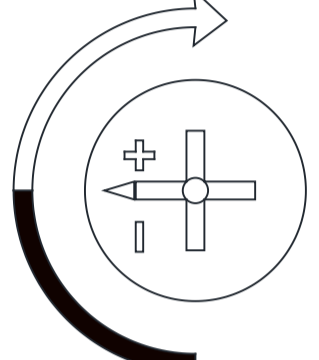
SY

Step 11

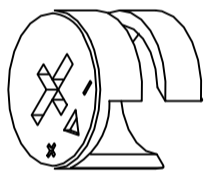
B  x2

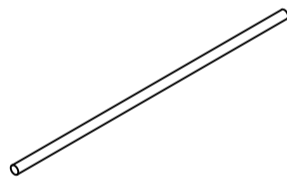


B   

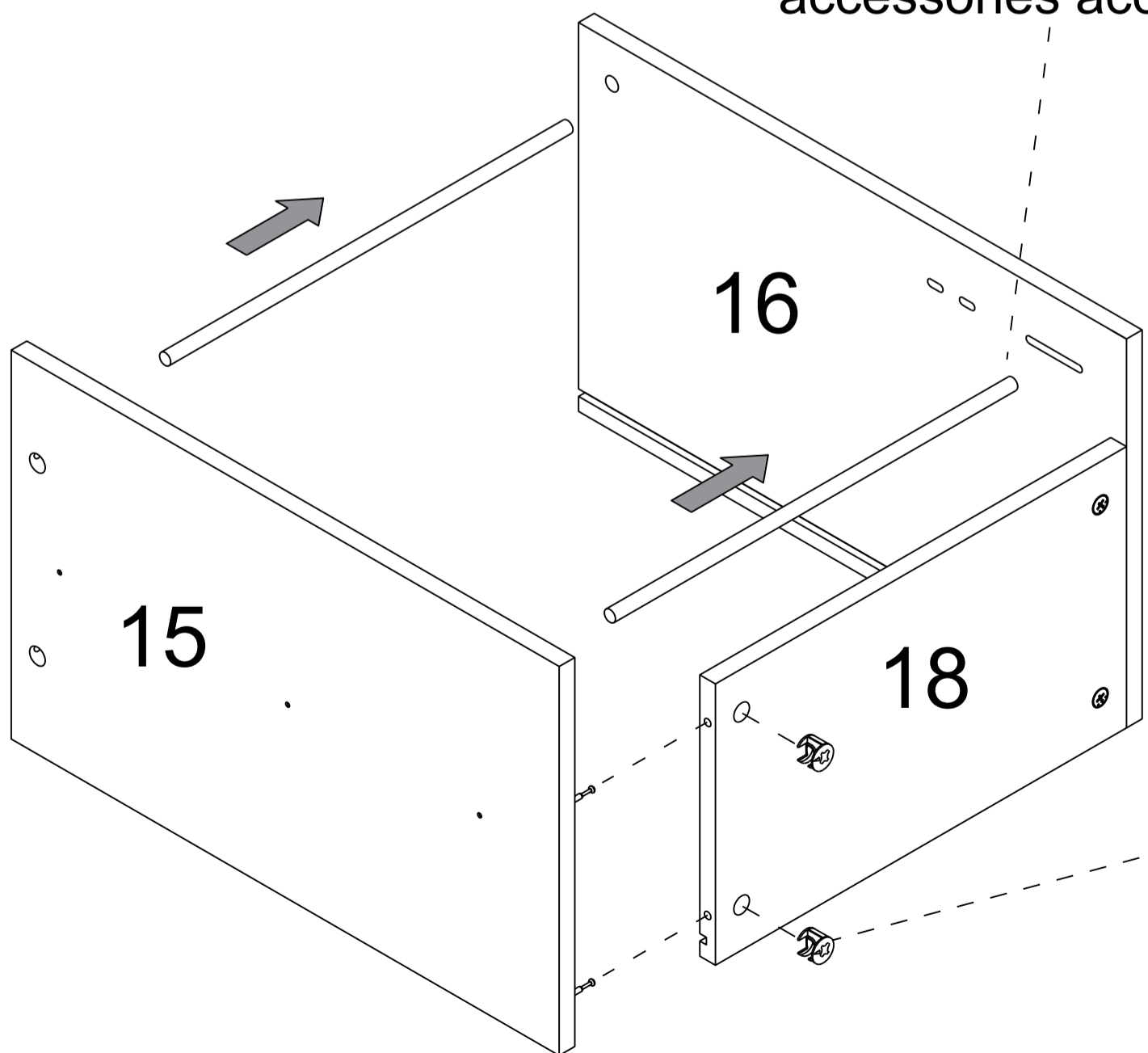
 50% tighten

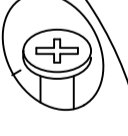
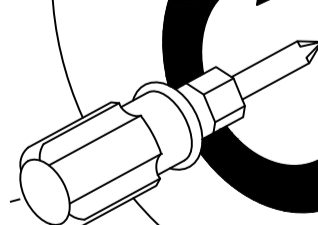
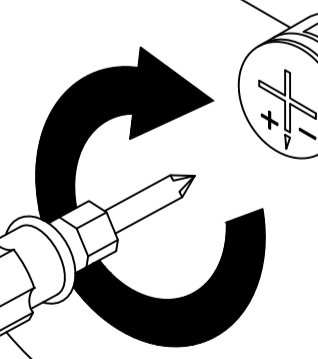
Step 12

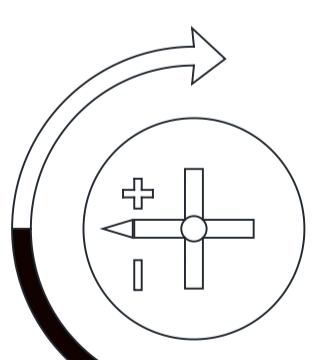
B  x2

I  x2

Select the hole position to install the I accessories according to your needs

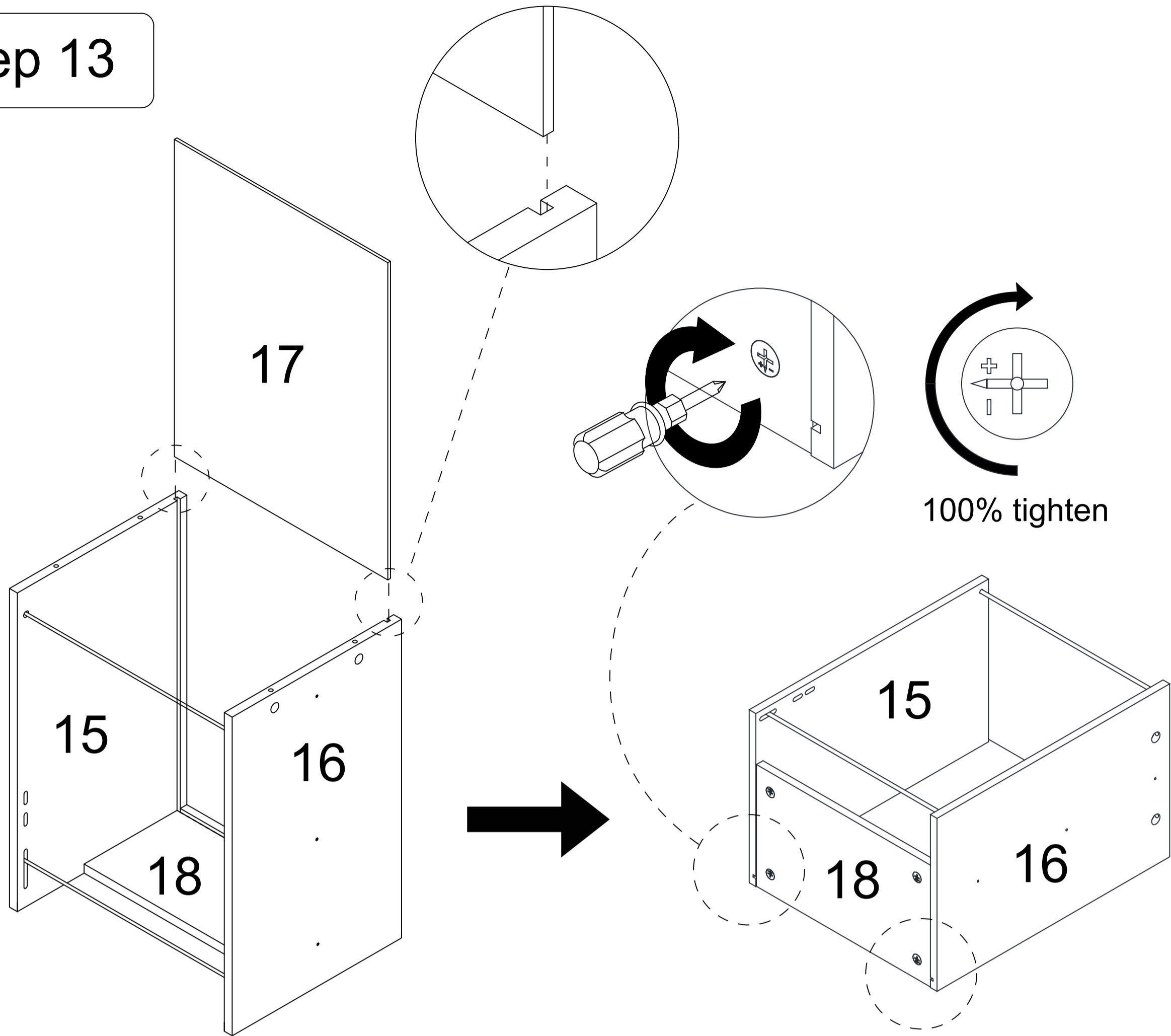


B   

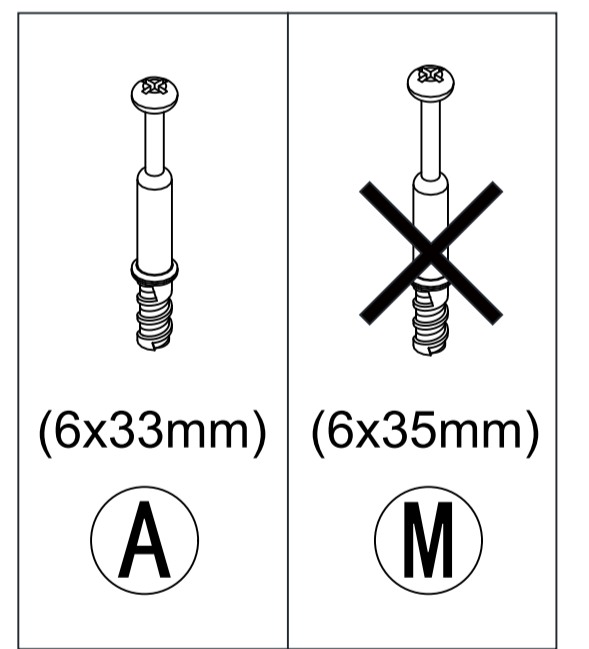
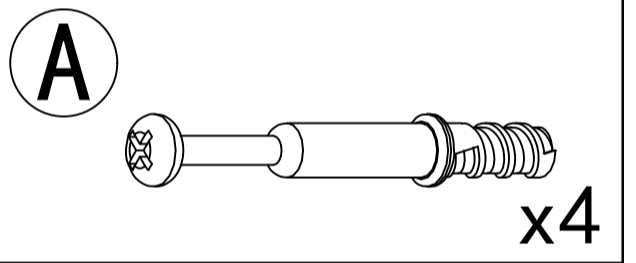
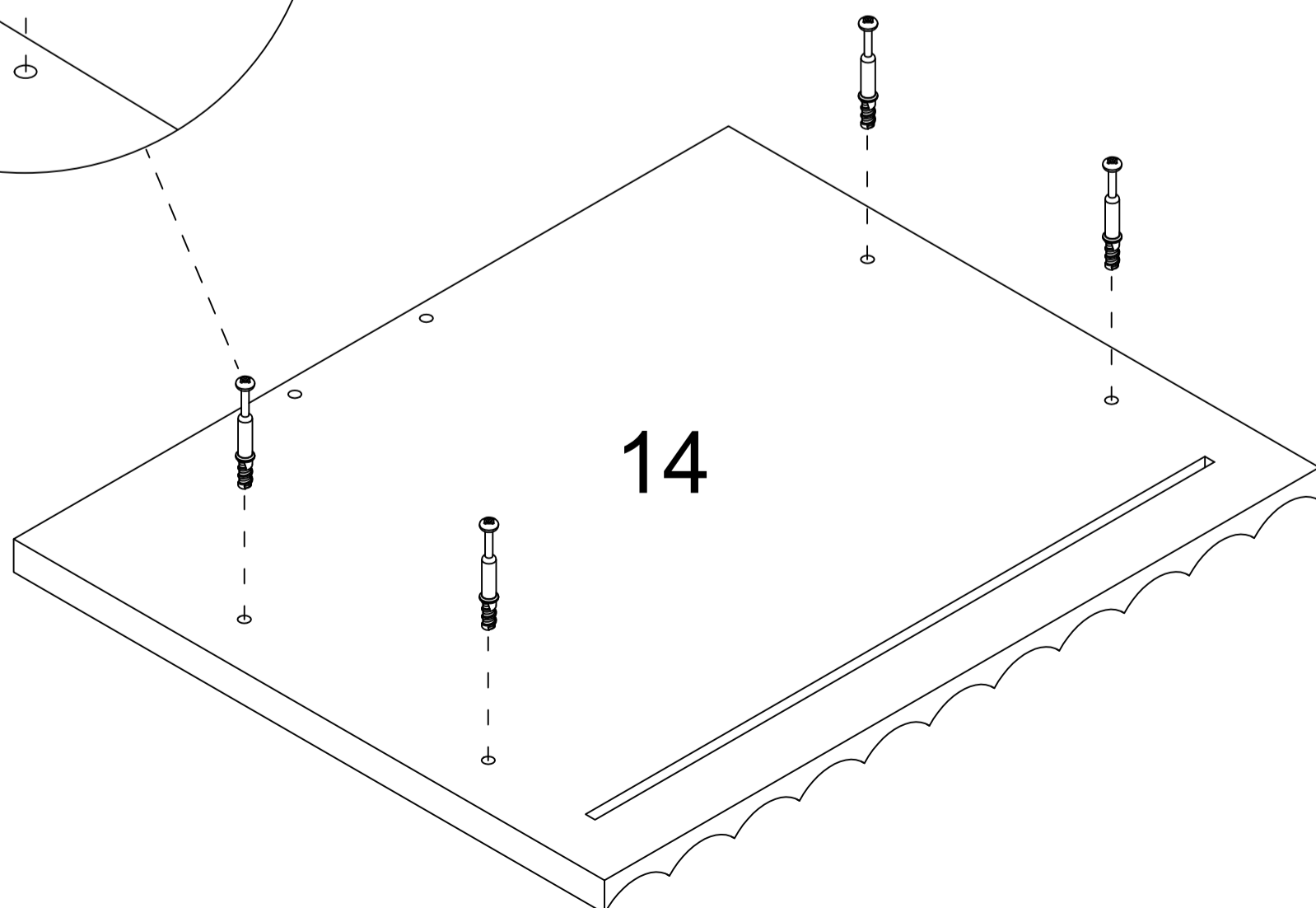
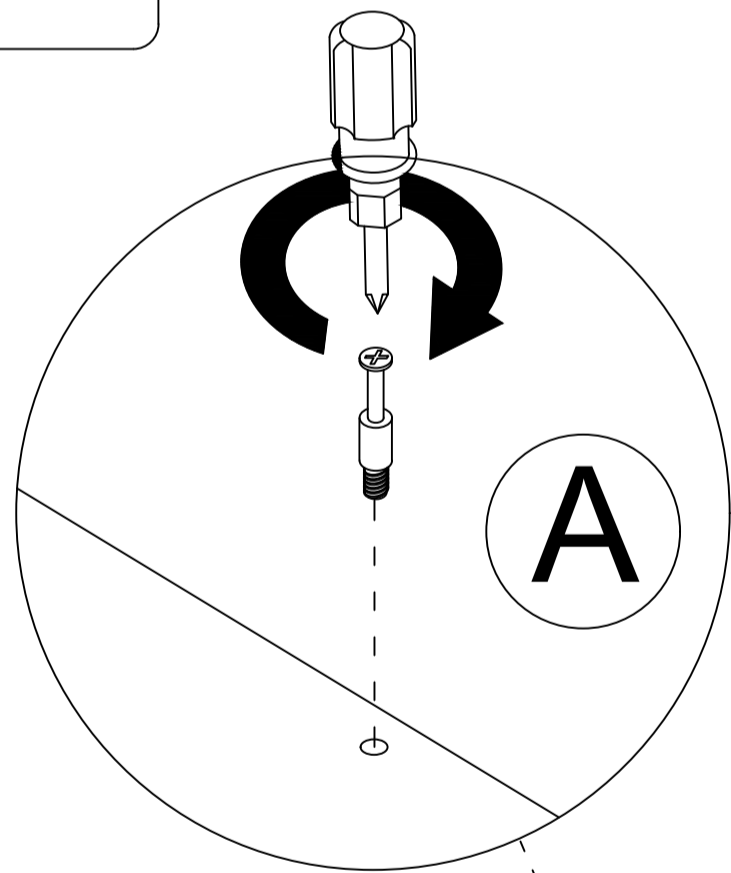
 50% tighten

12

Step 13

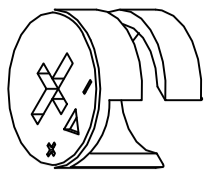


Step 14

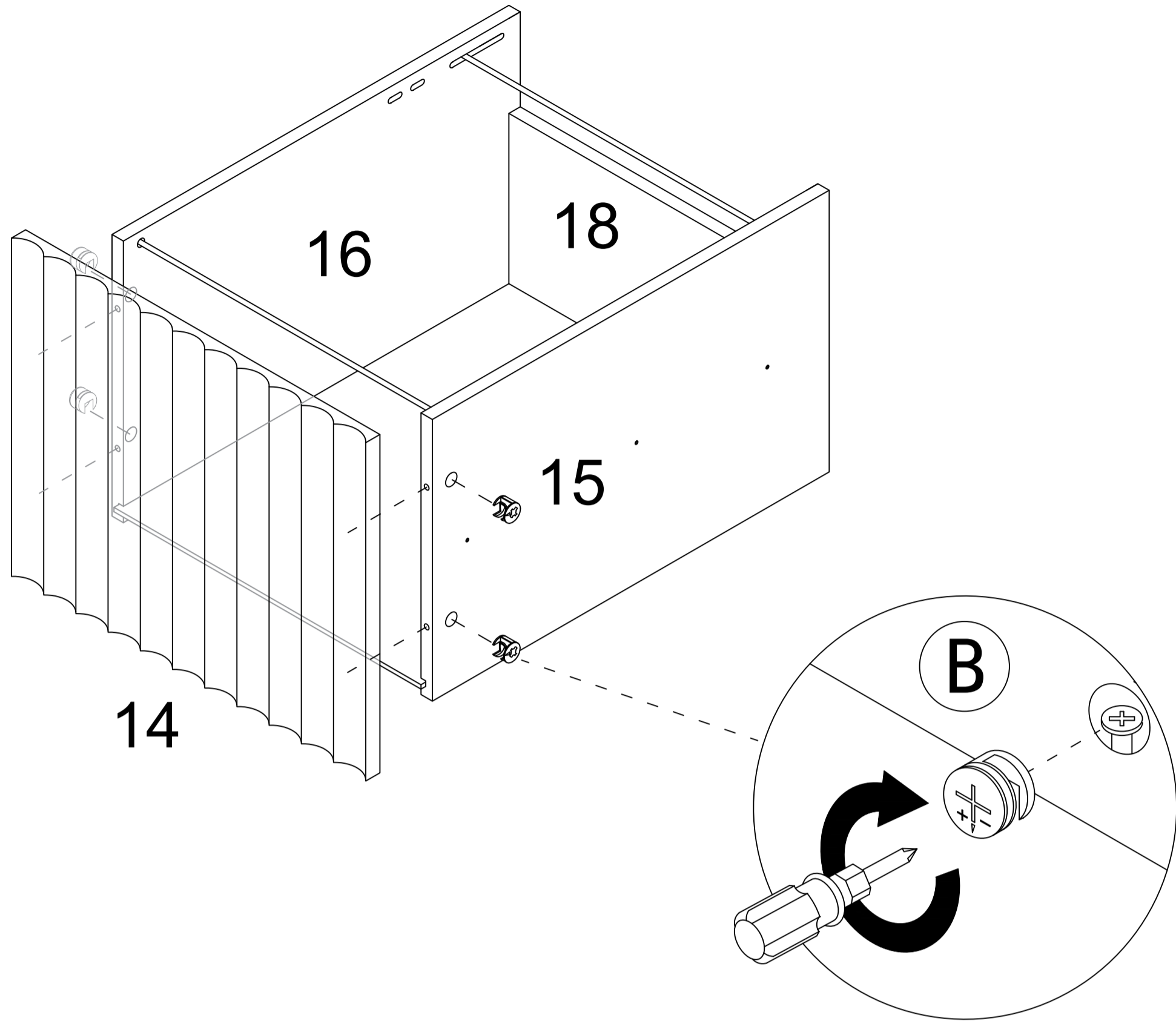


Step 15

B

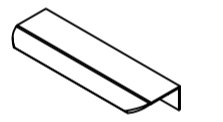


x4



Step 16

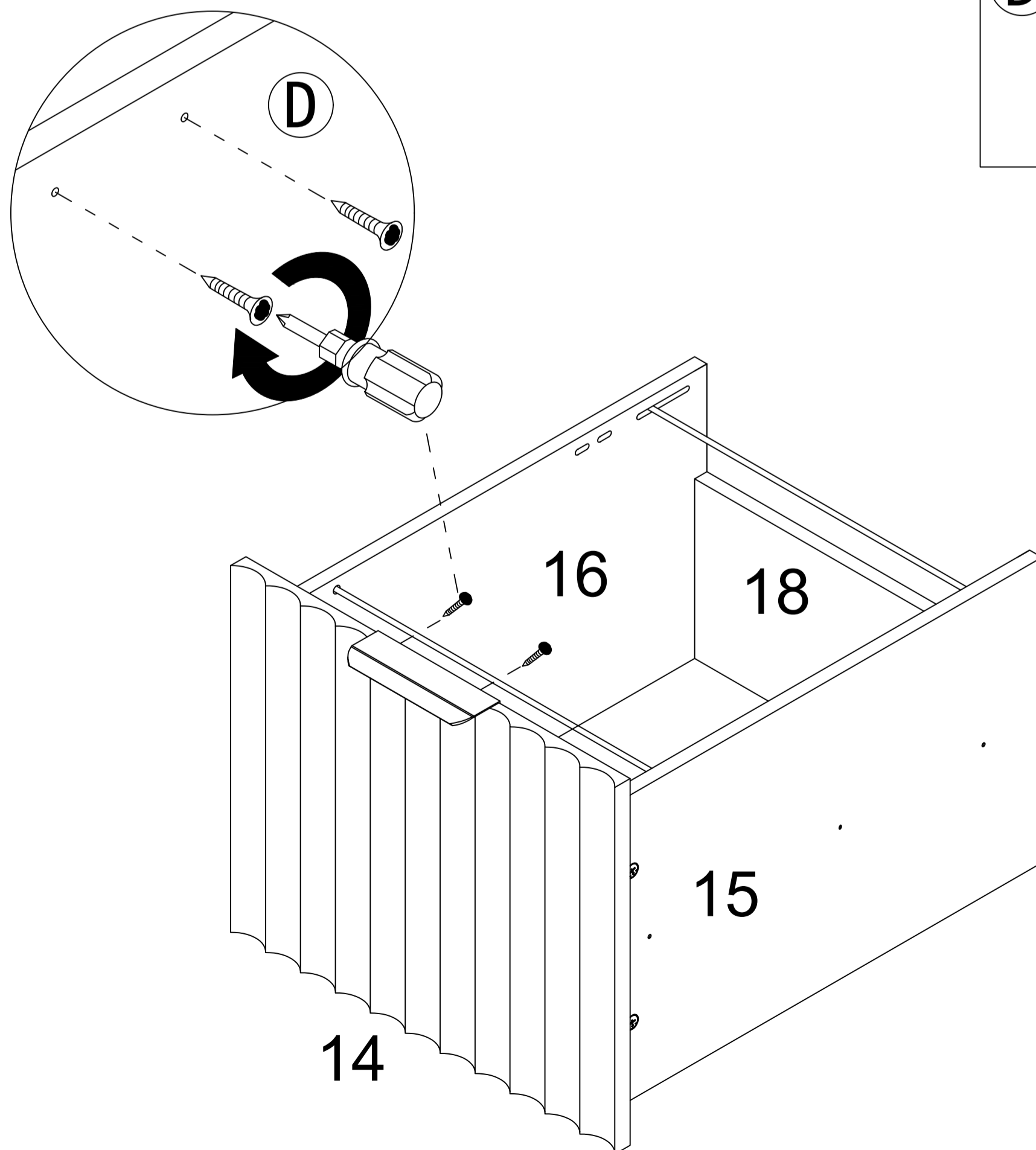
D



x1

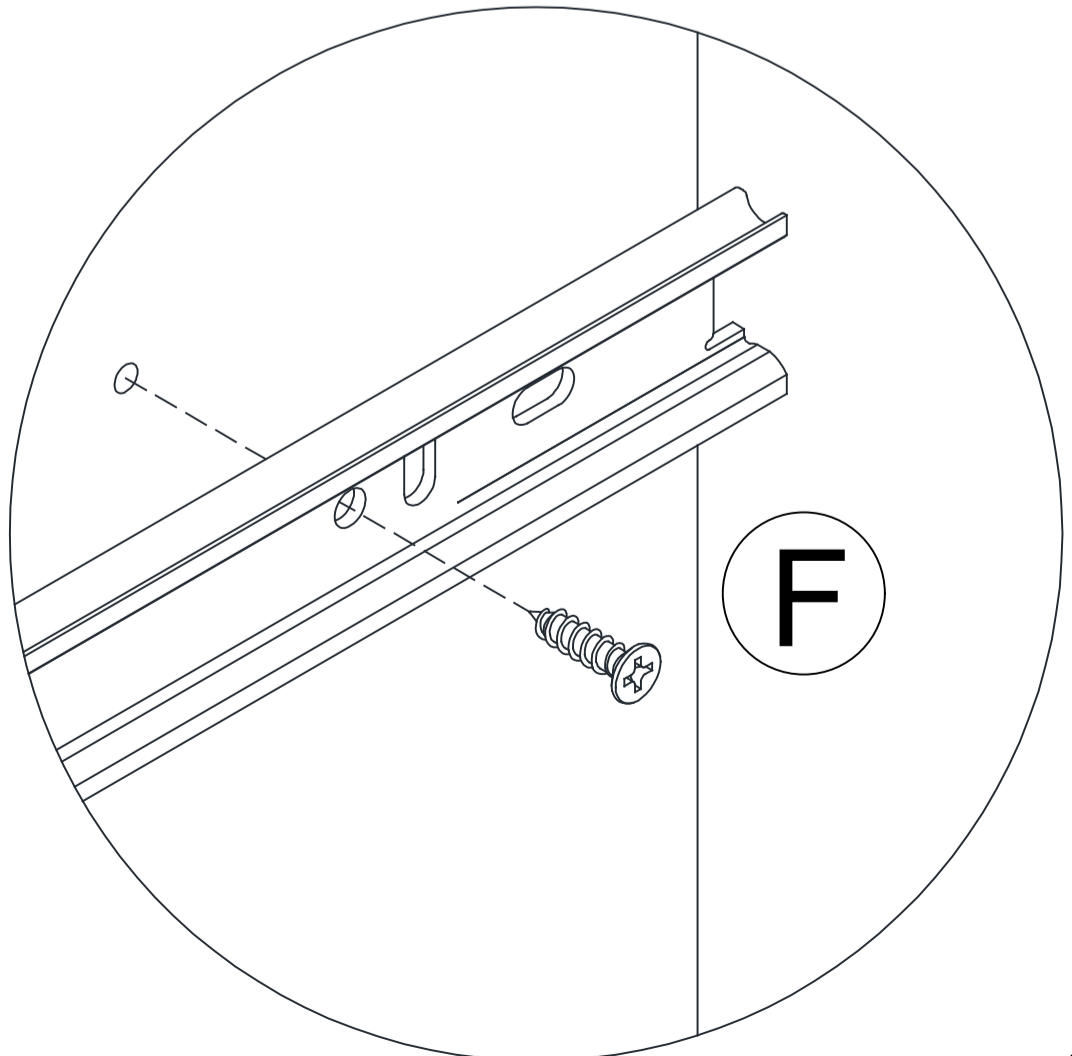
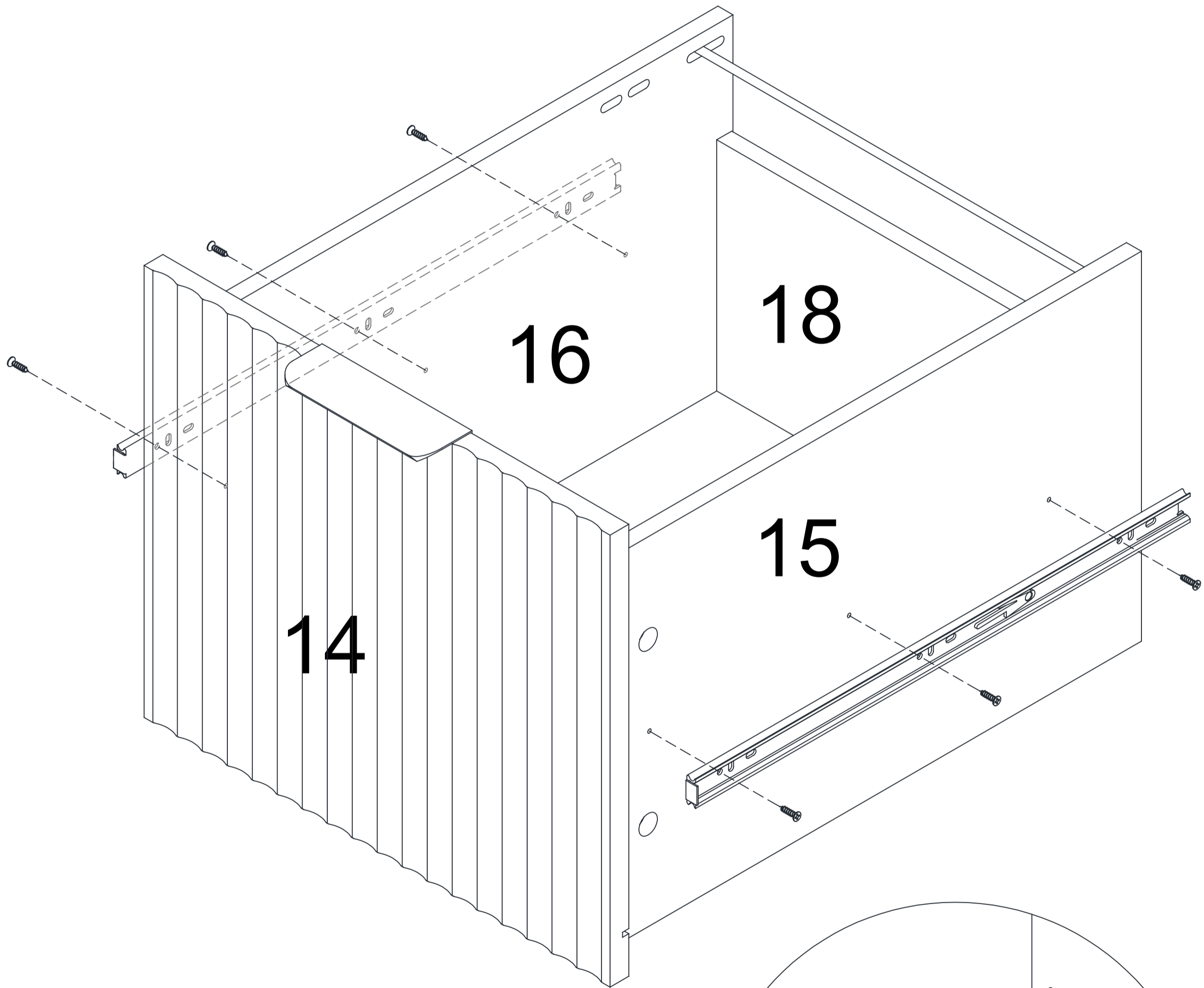
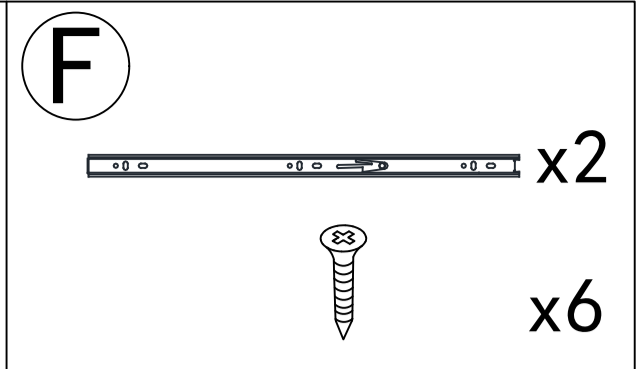
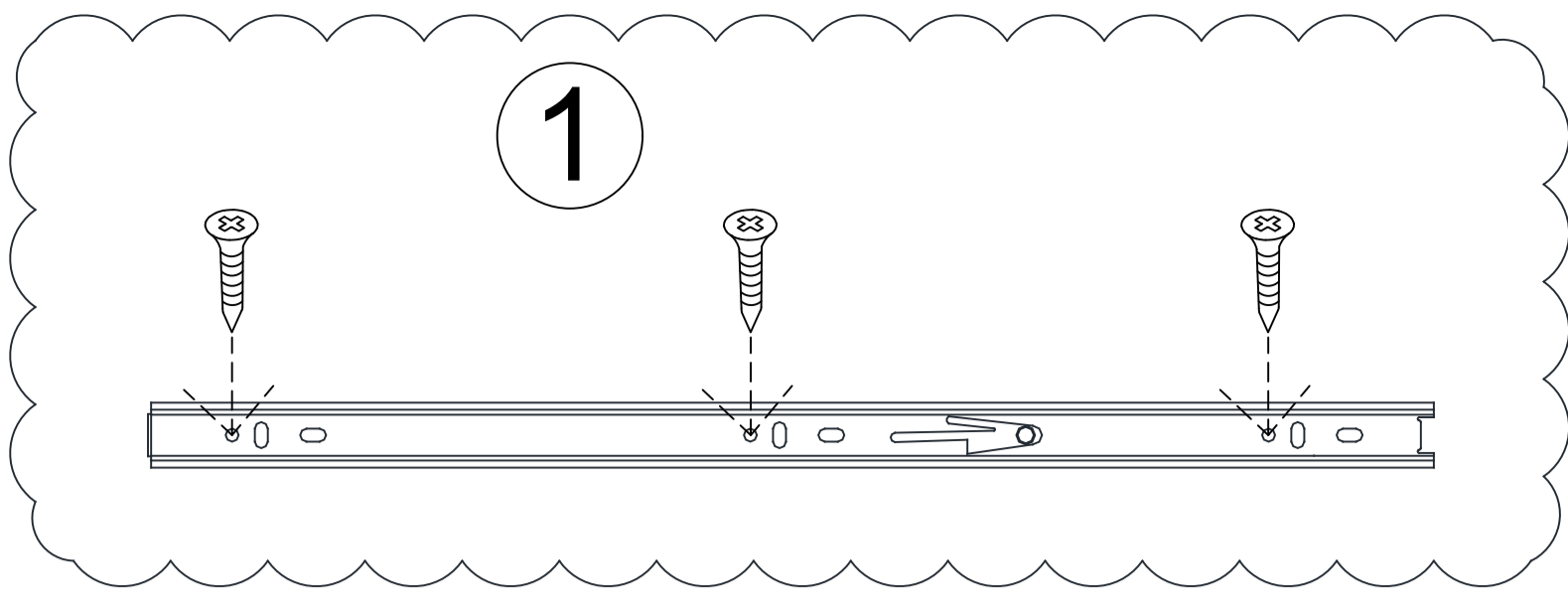


x2



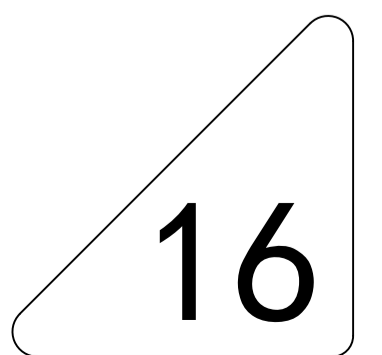
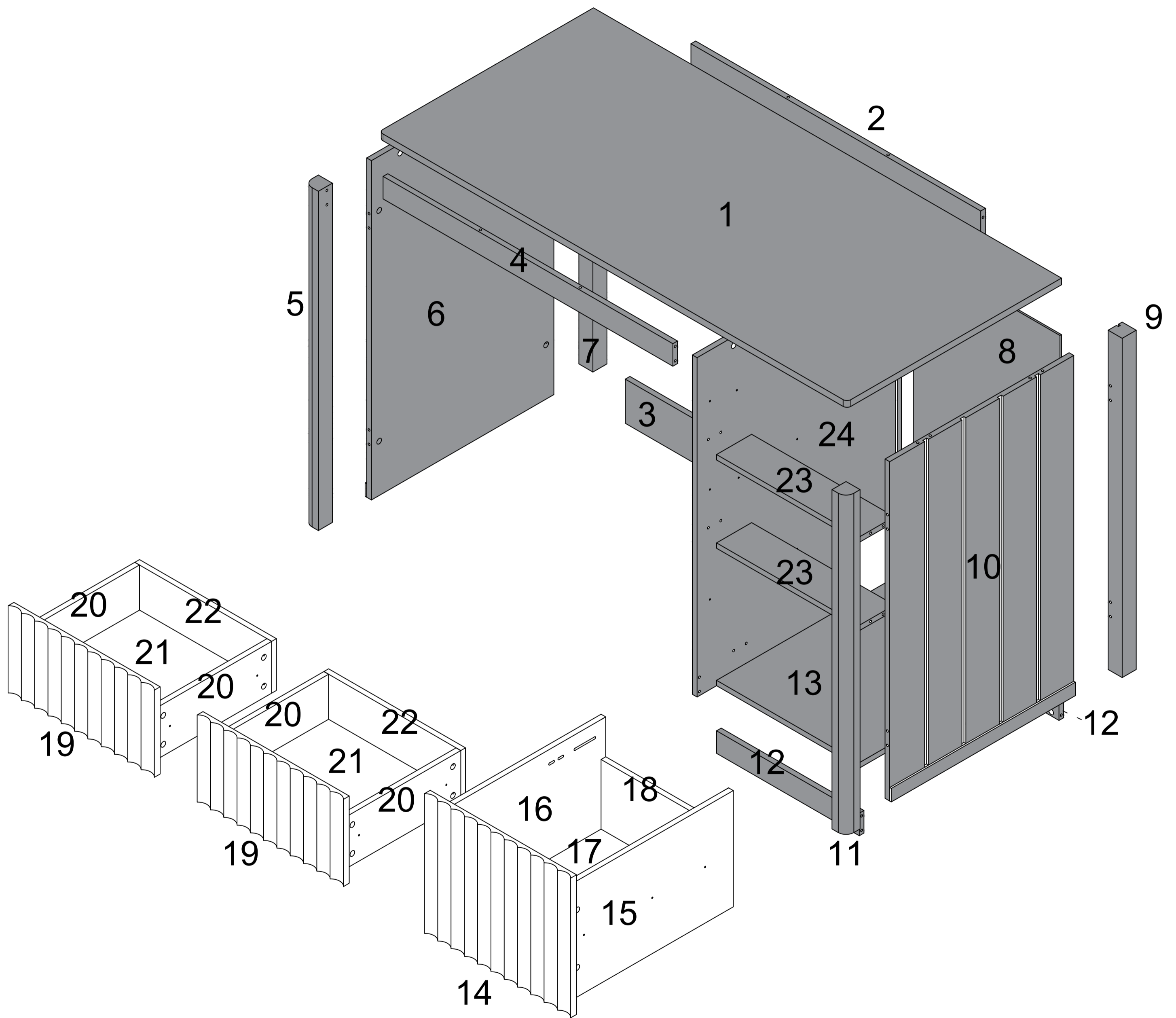
SY

Step 17

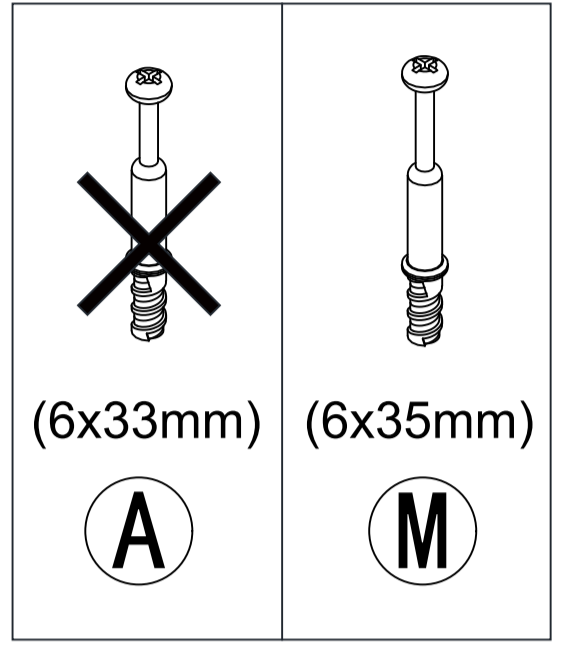
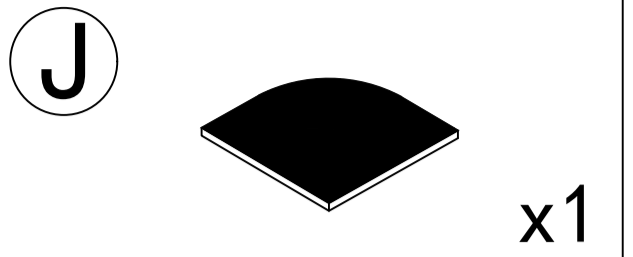
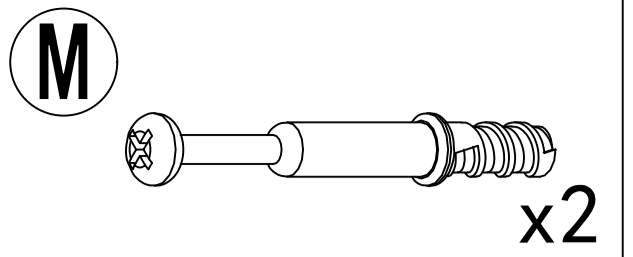
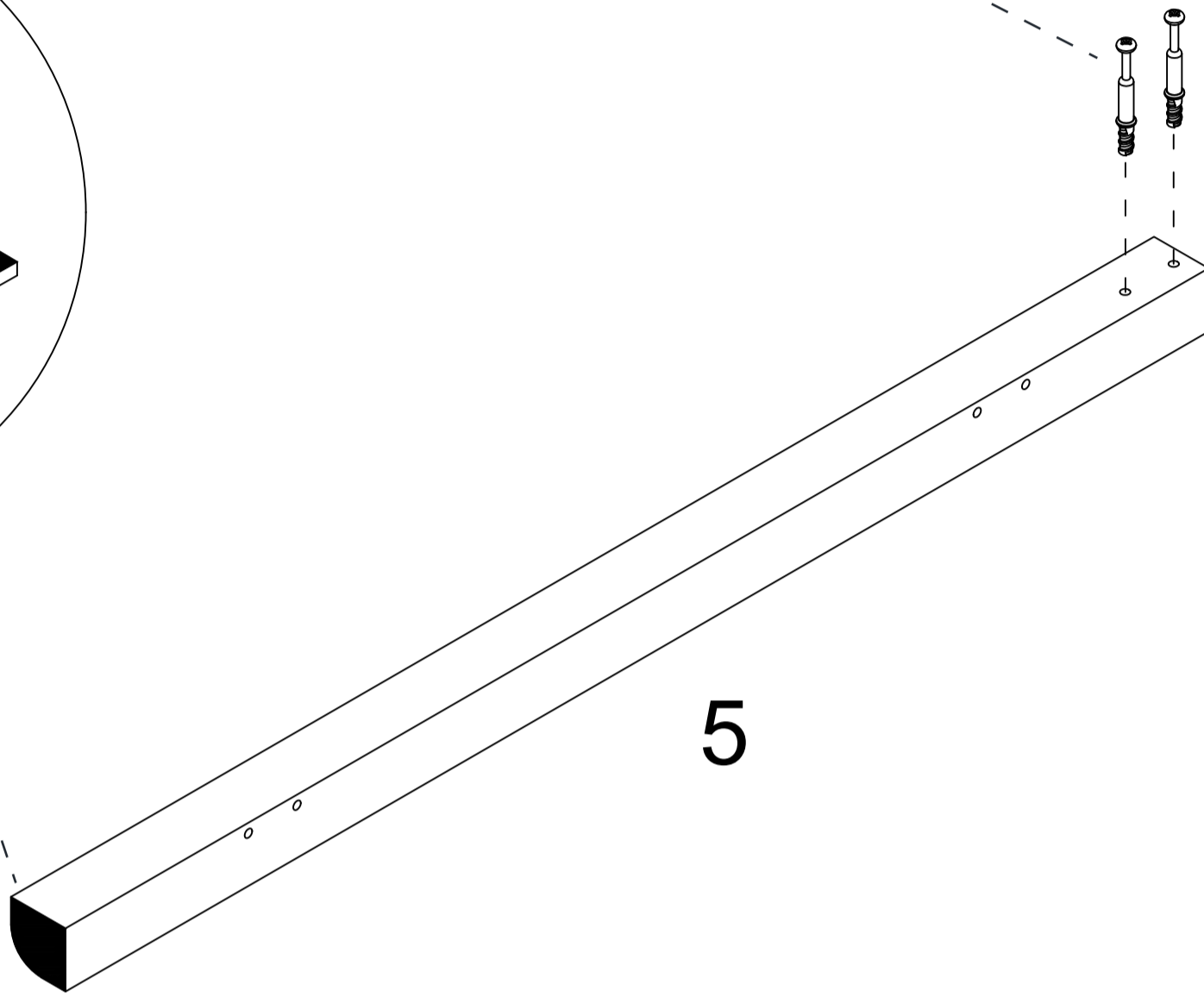
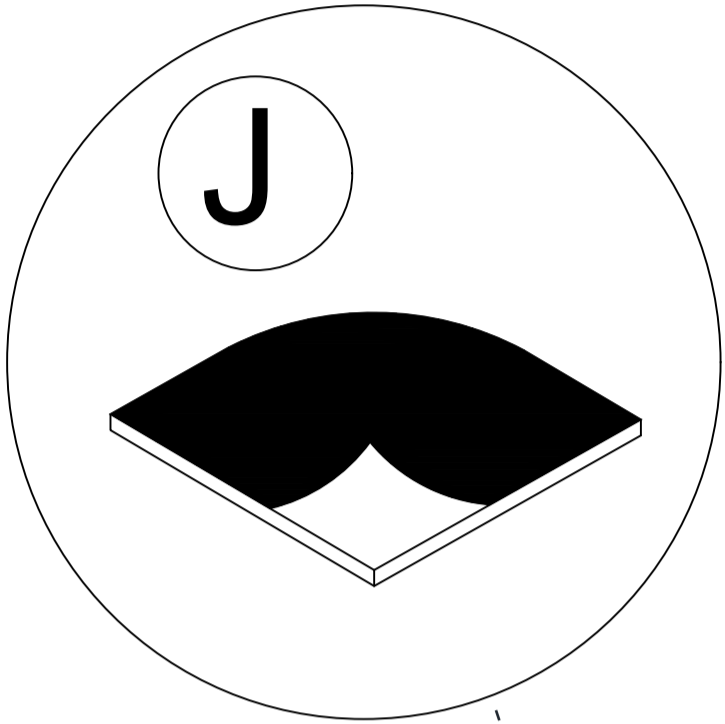
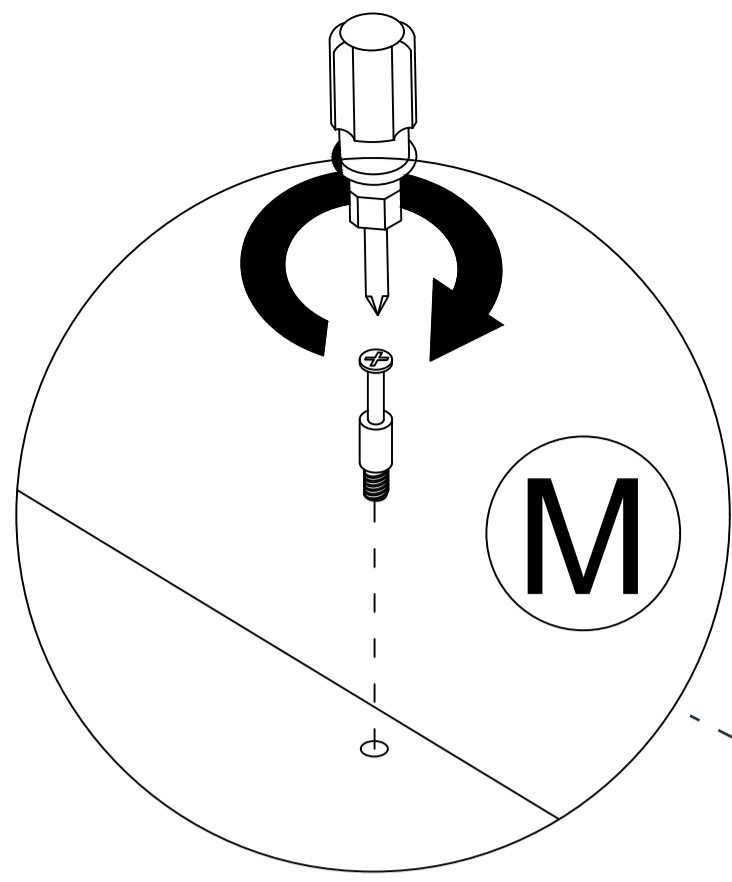


15

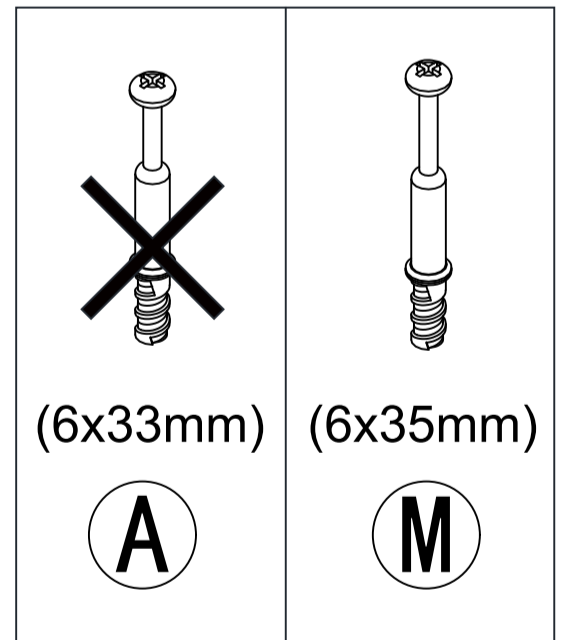
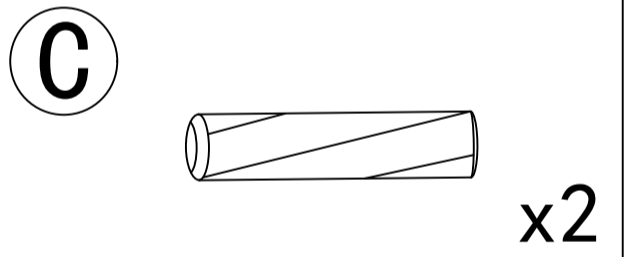
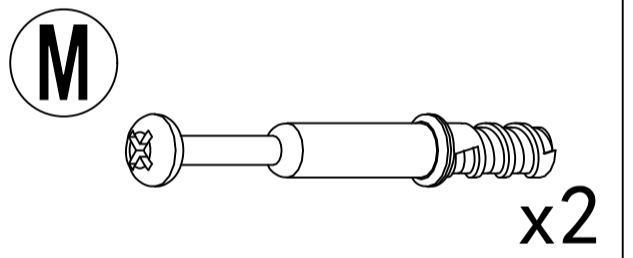
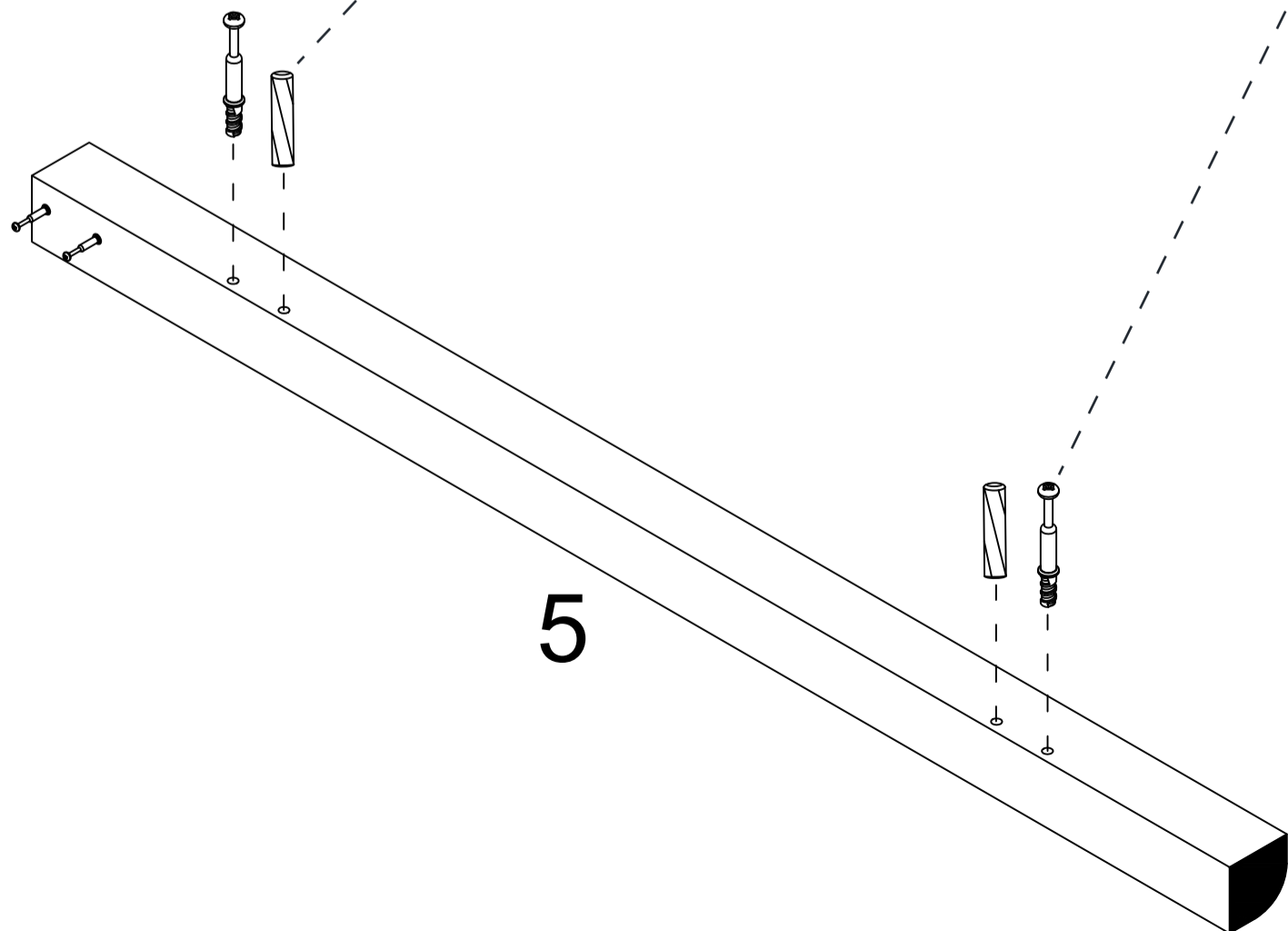
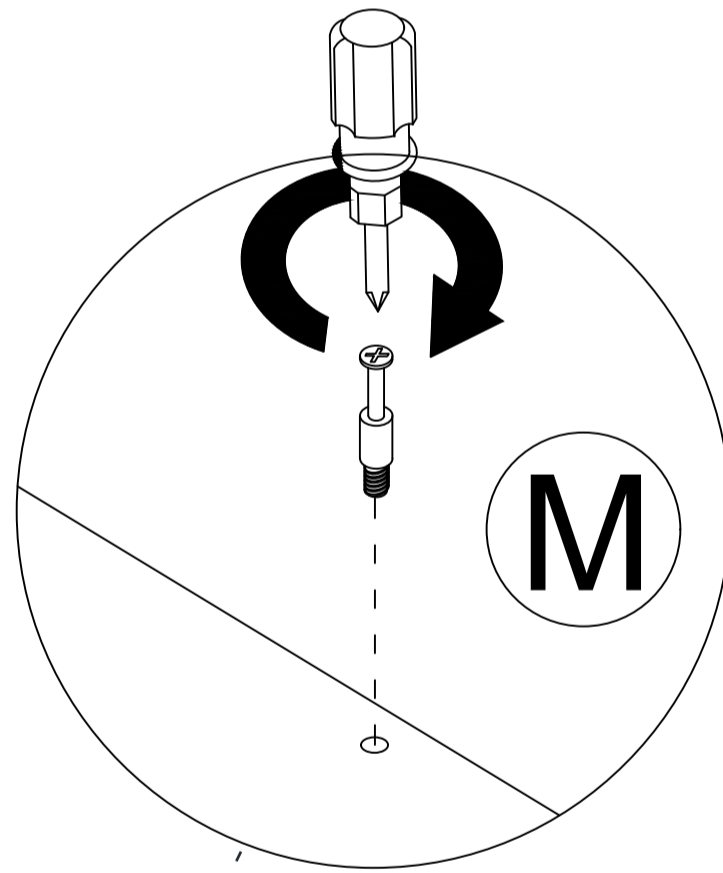
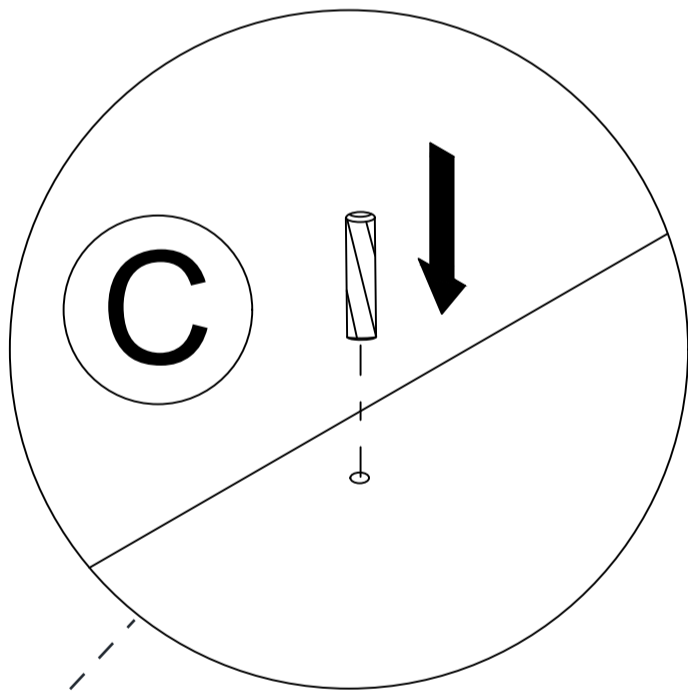
Product Explosion diagram



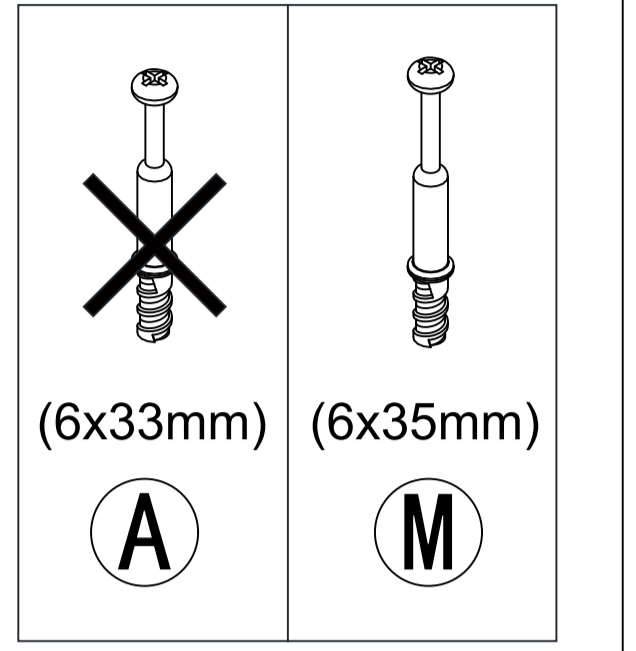
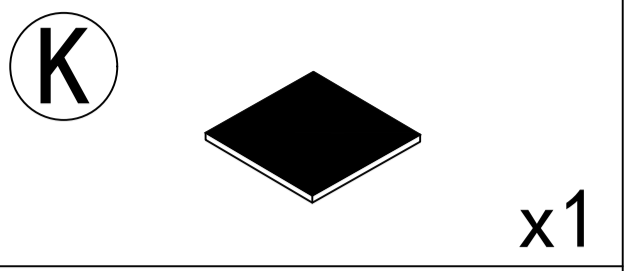
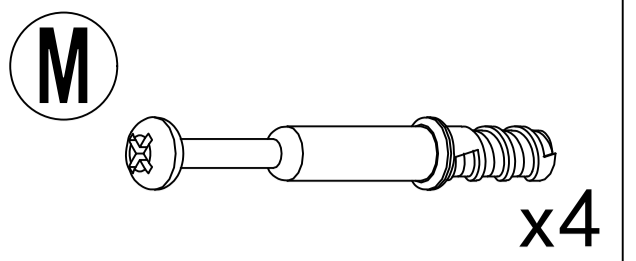
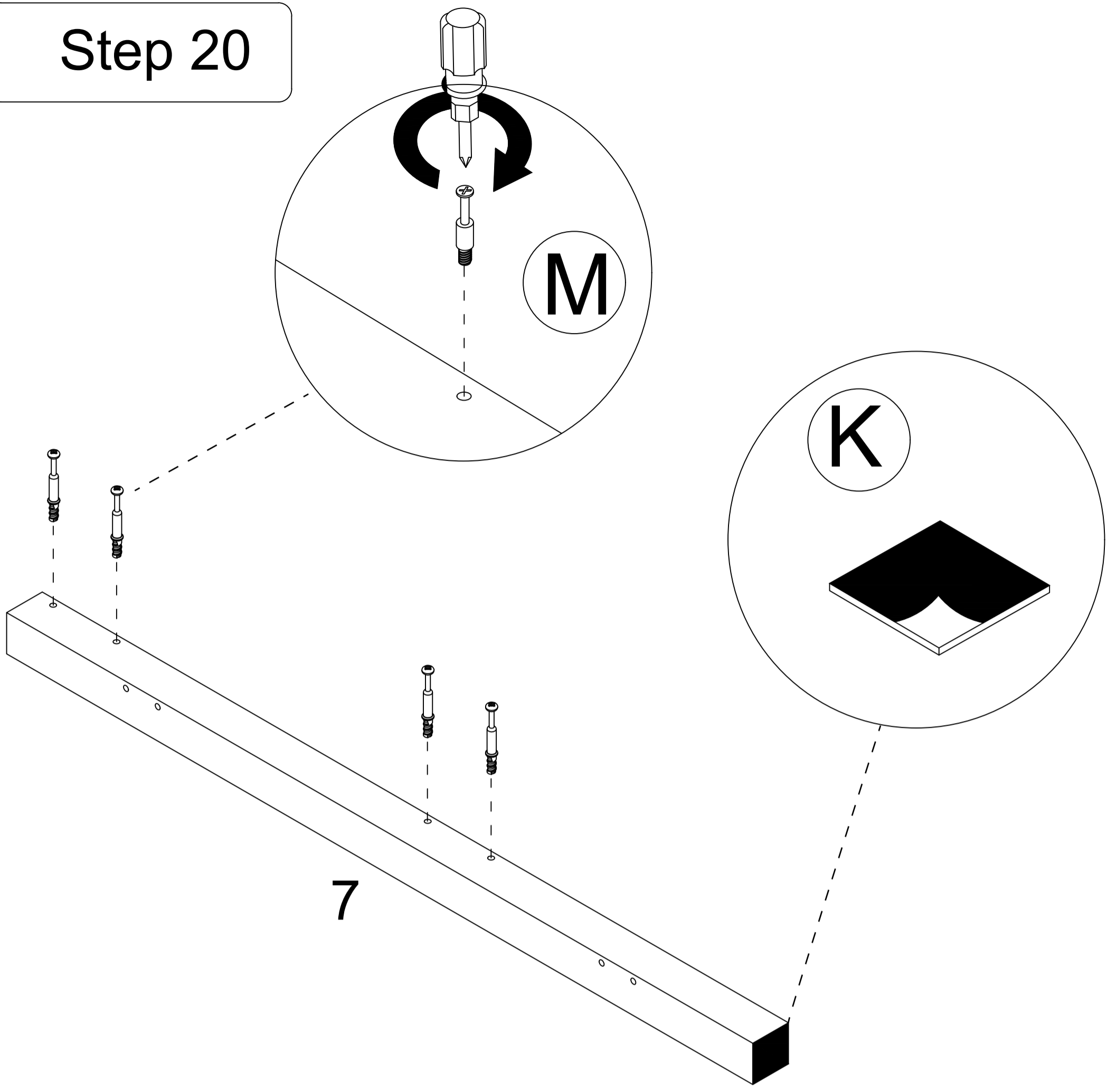
Step 18



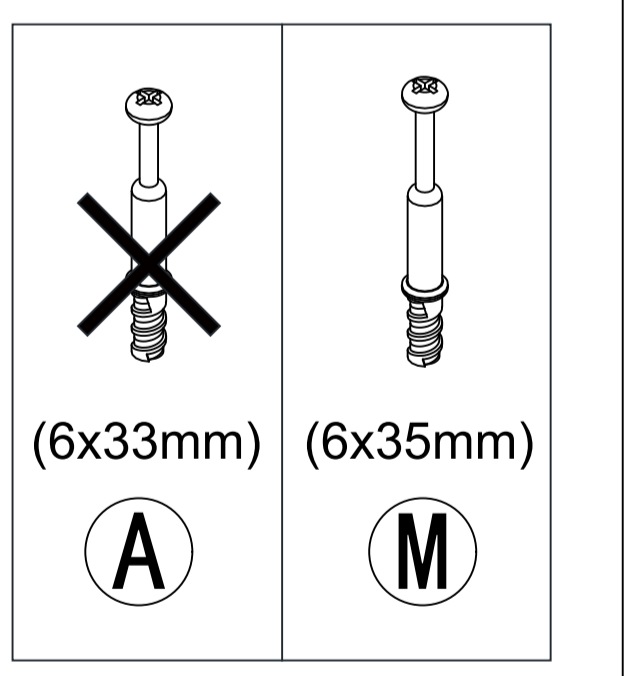
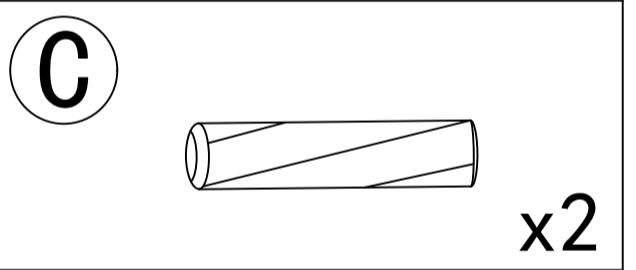
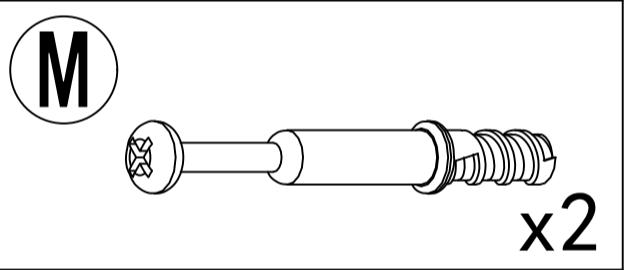
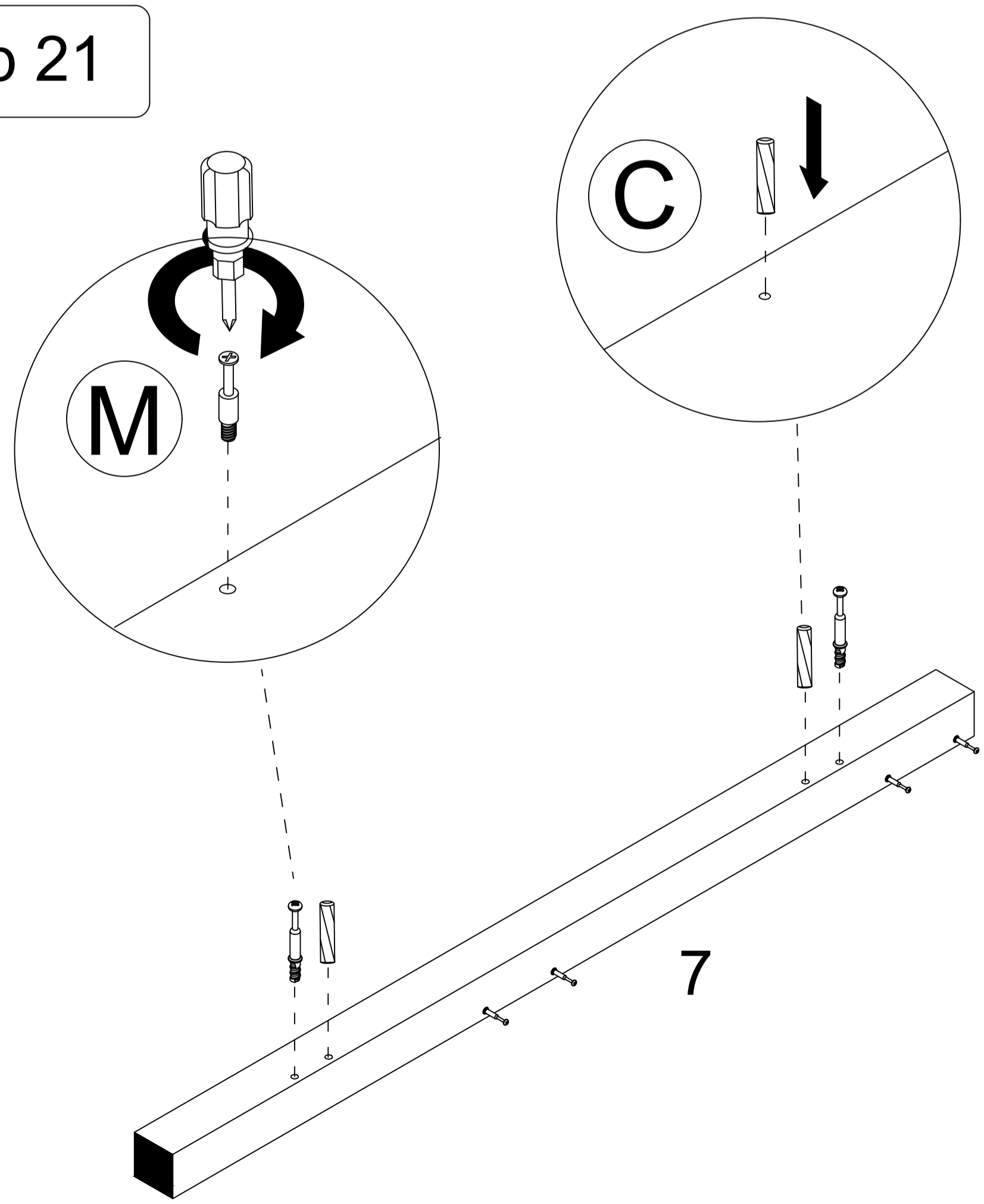
Step 19



Step 20



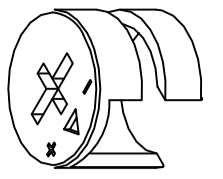
Step 21



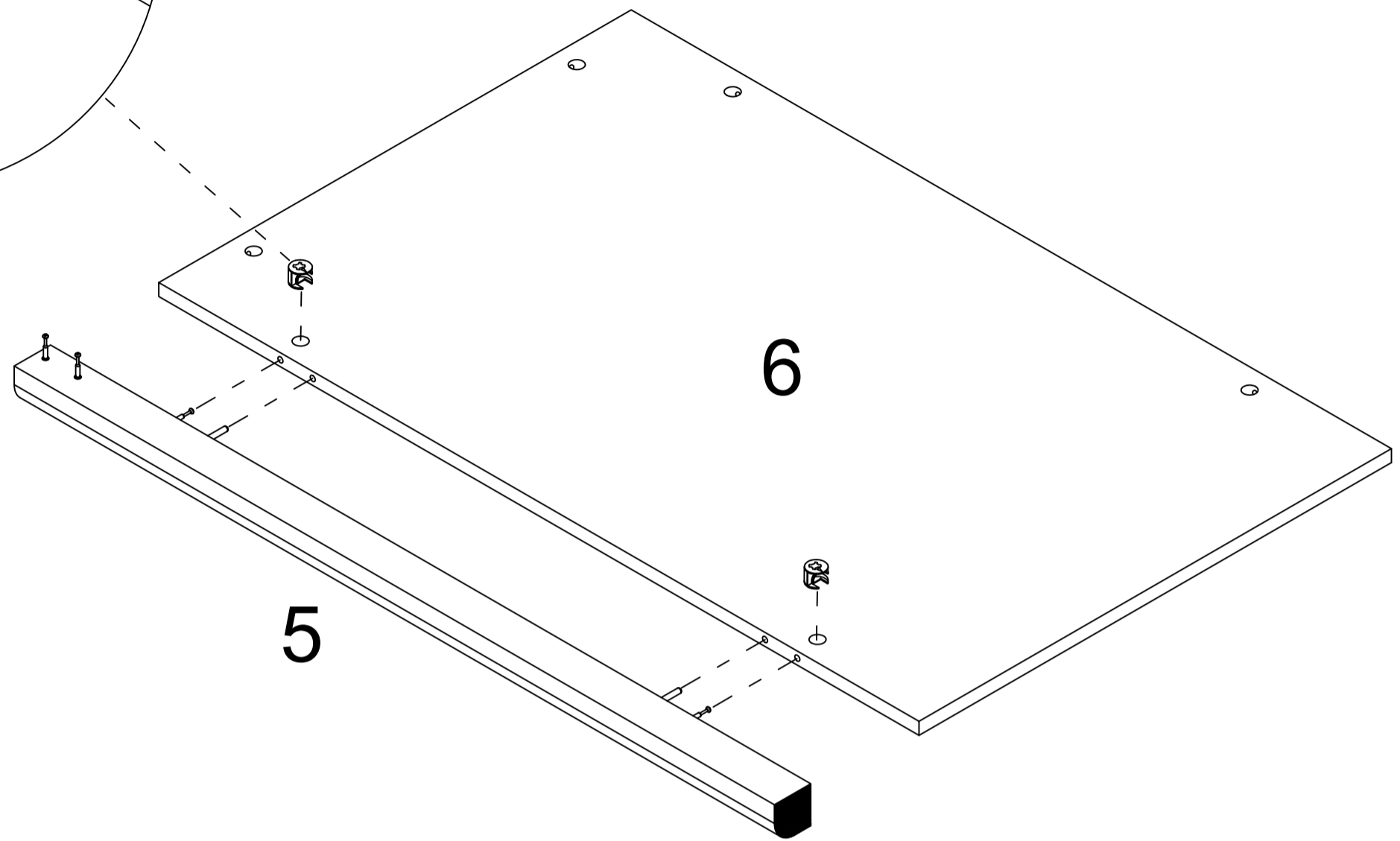
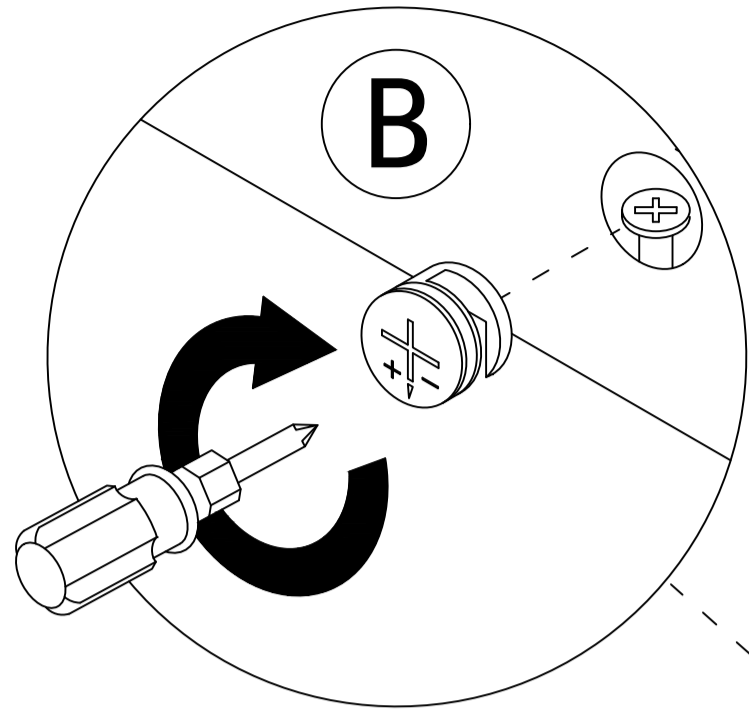
SY

Step 22

B

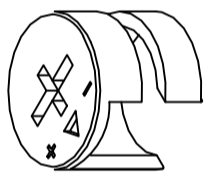


x2

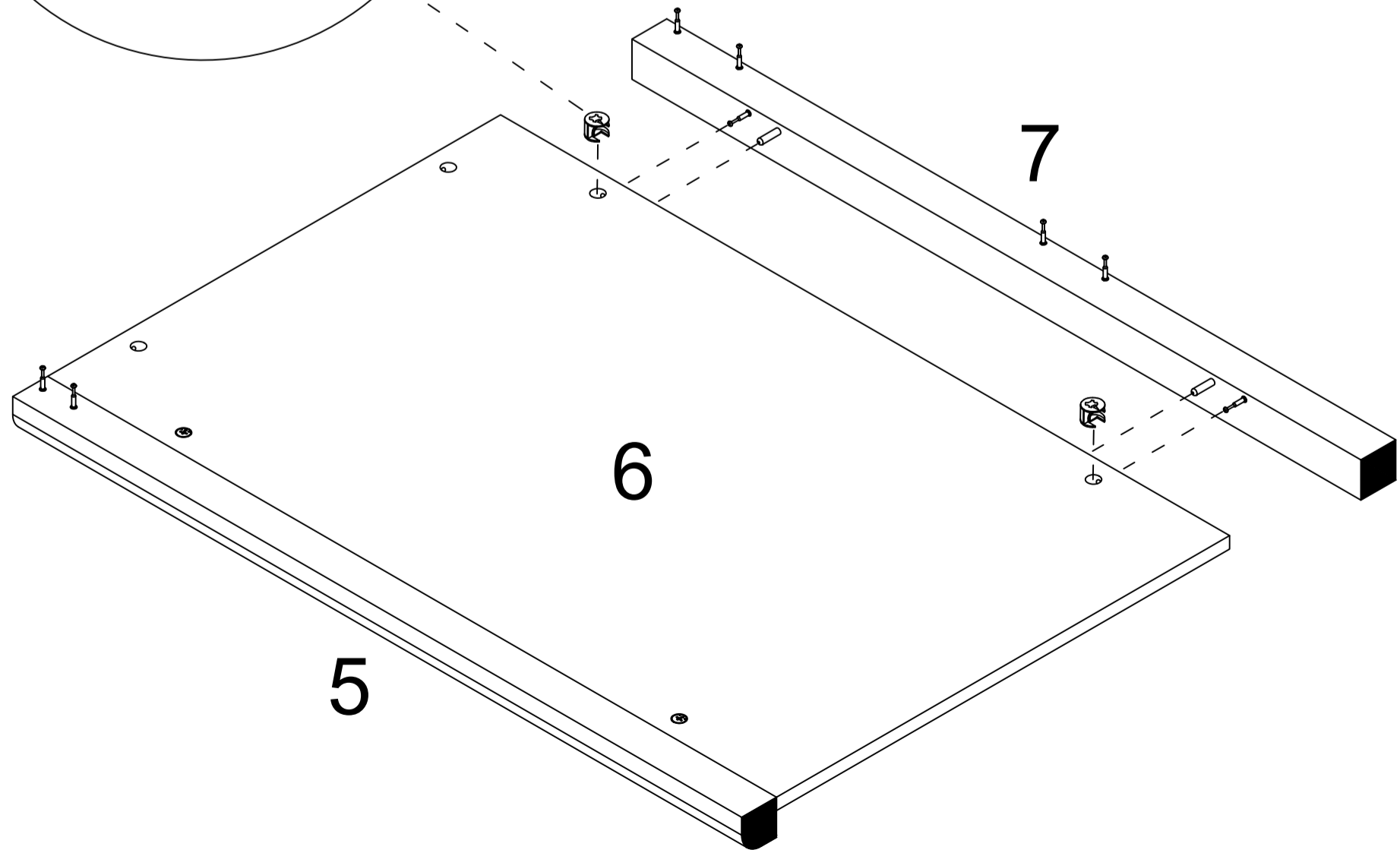
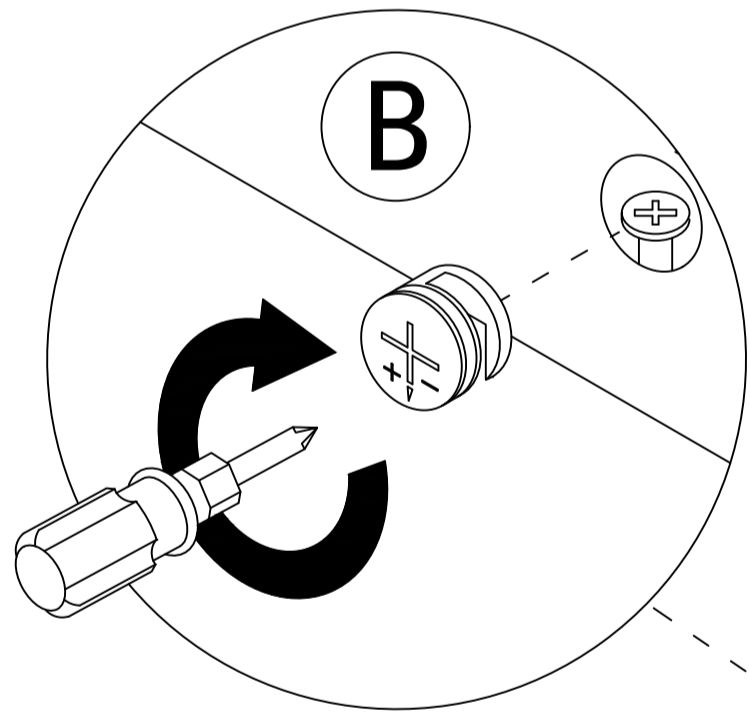


Step 23

B



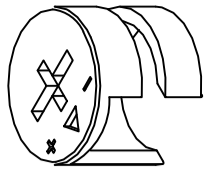
x2

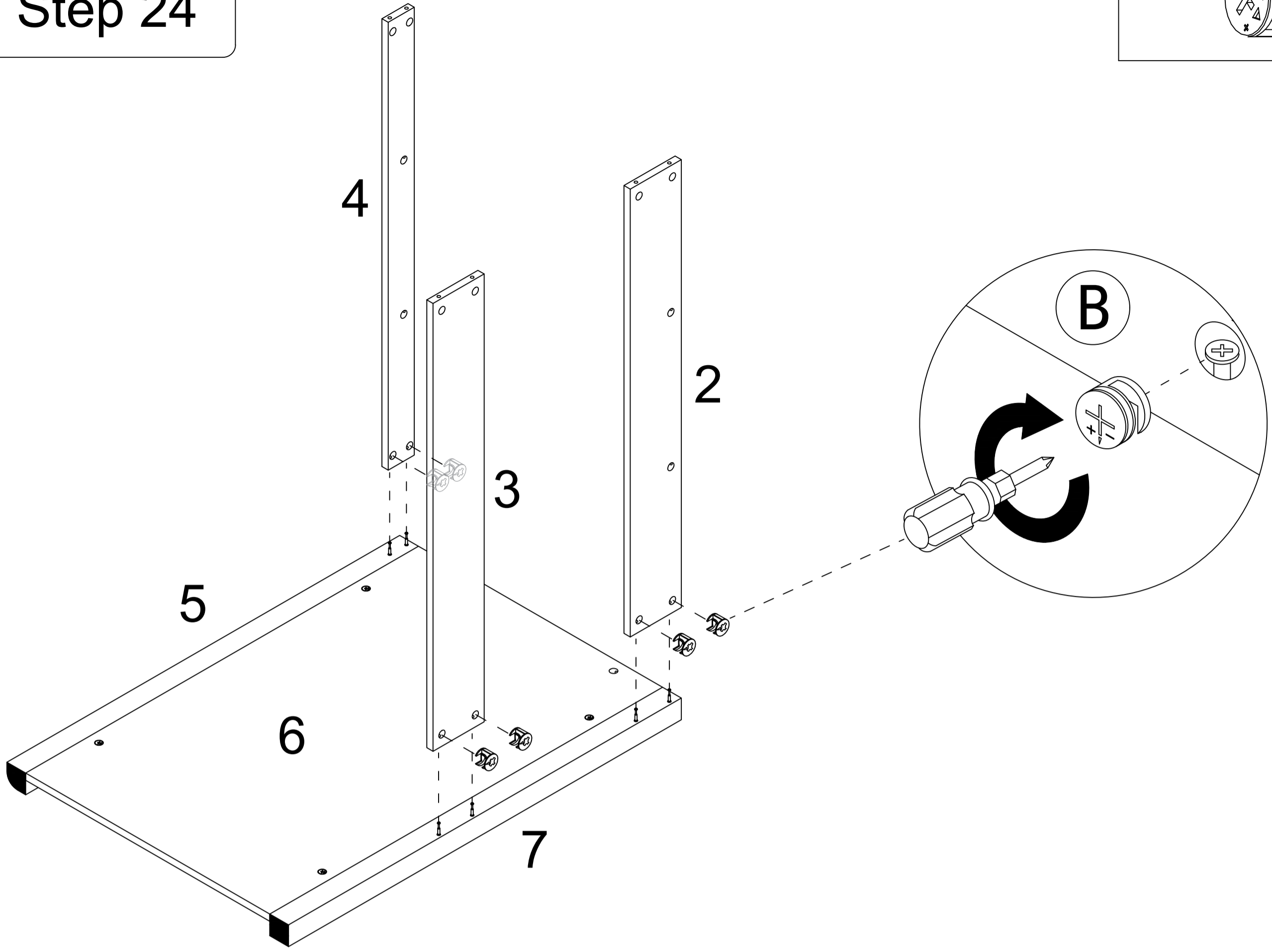


SY

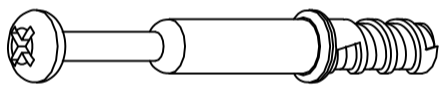
19

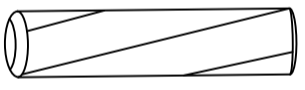
Step 24

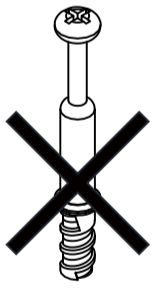
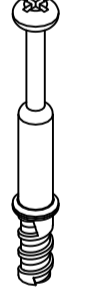
B  x6

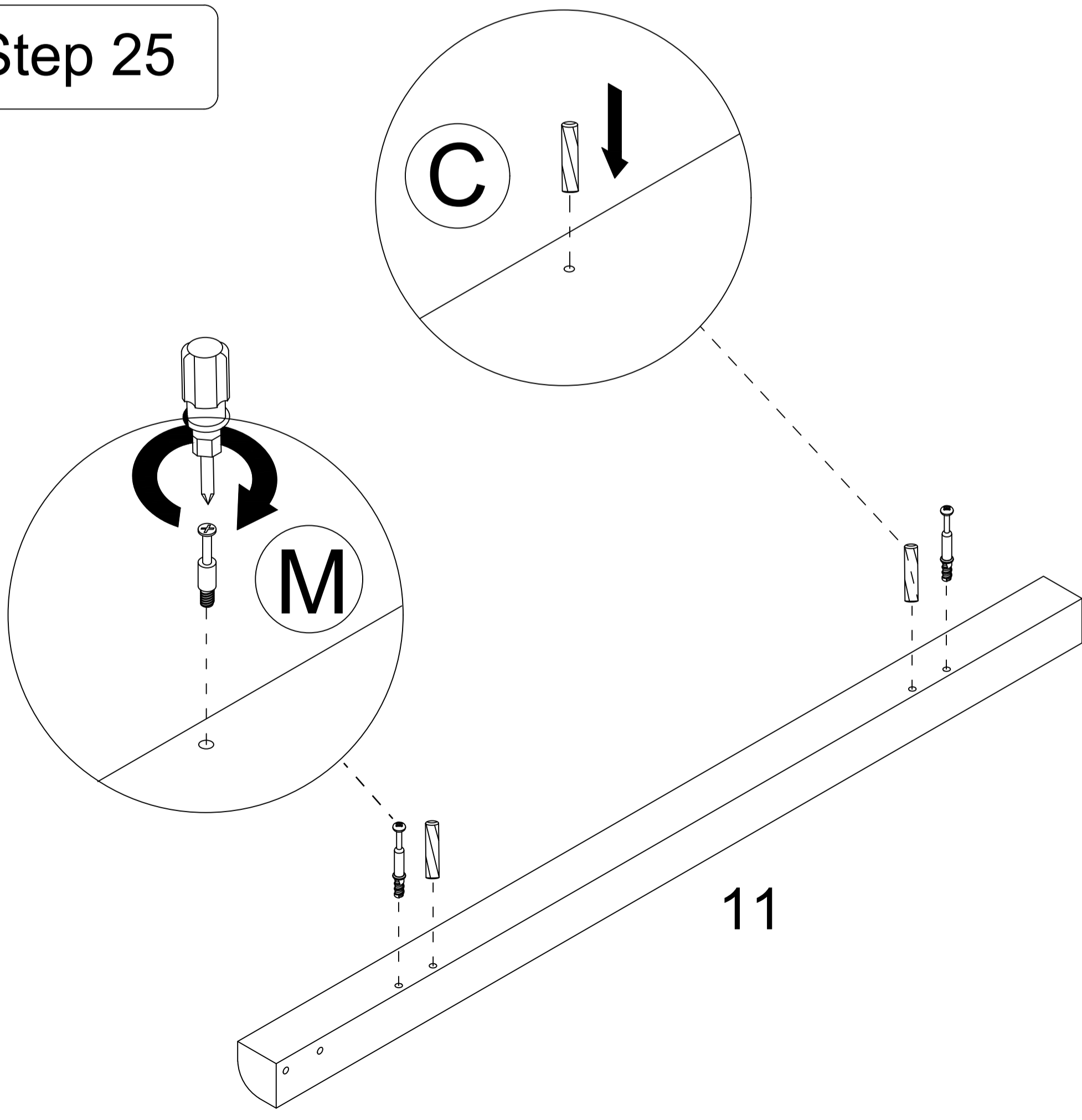


Step 25

M  x2

C  x2

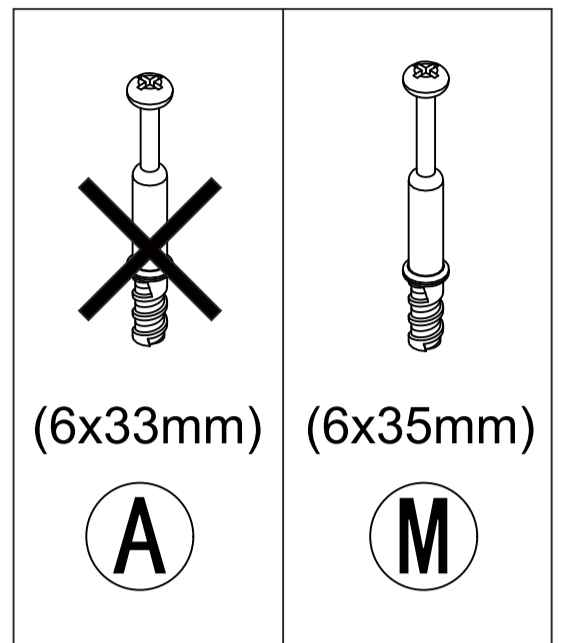
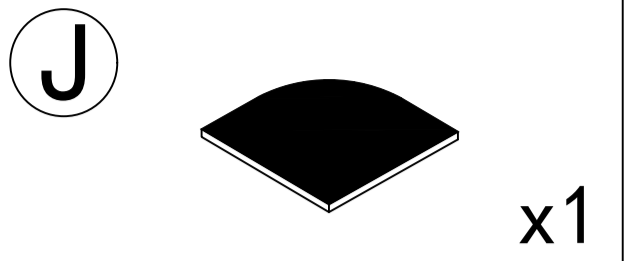
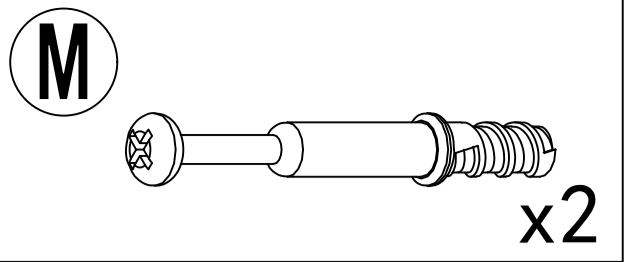
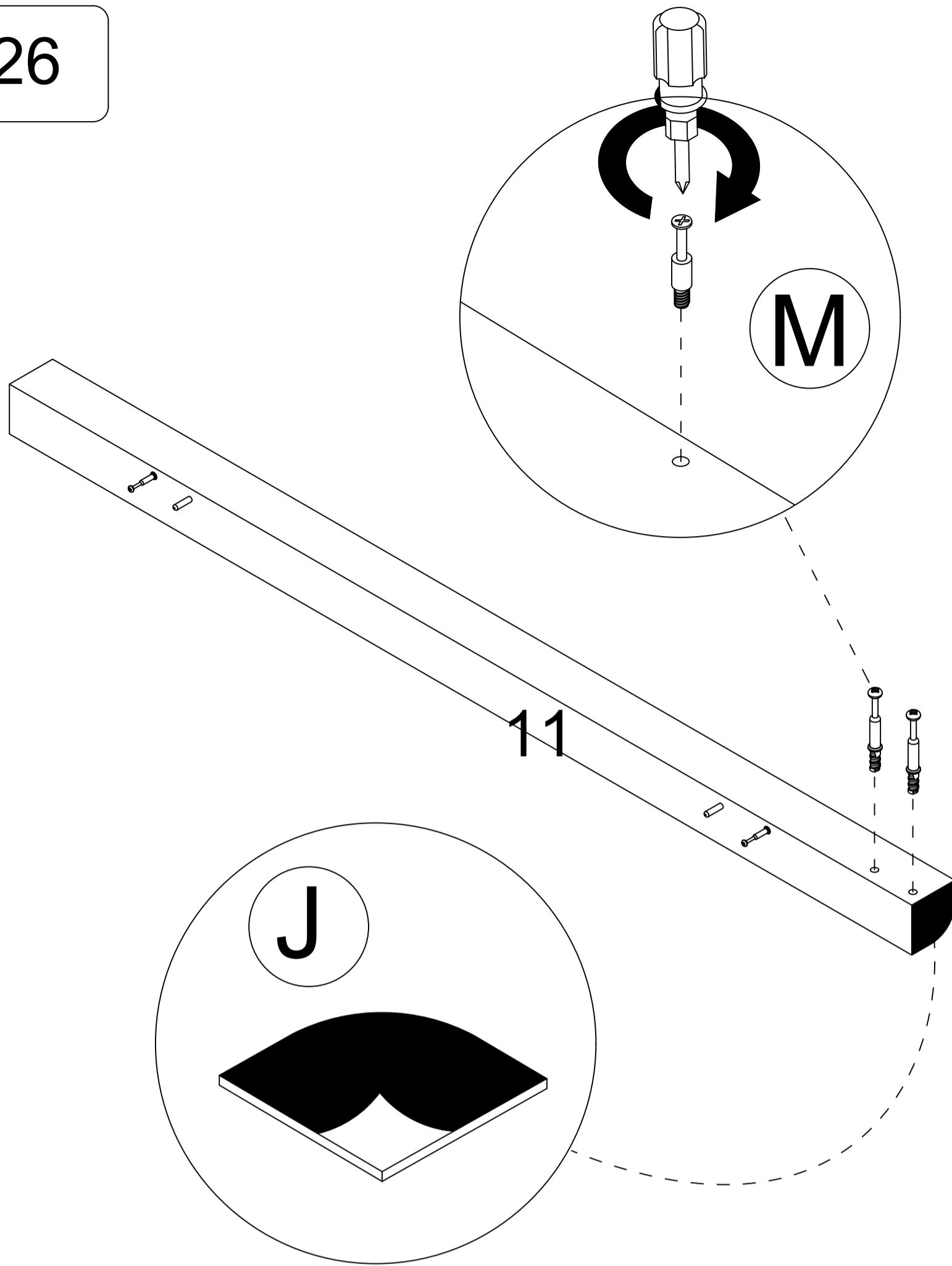
 (6x33mm) A	 (6x35mm) M
---	---



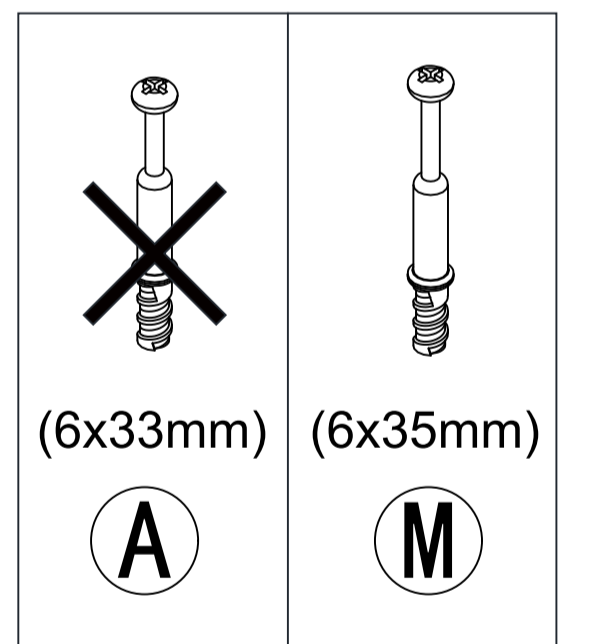
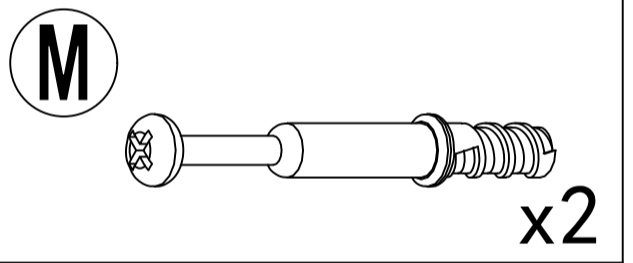
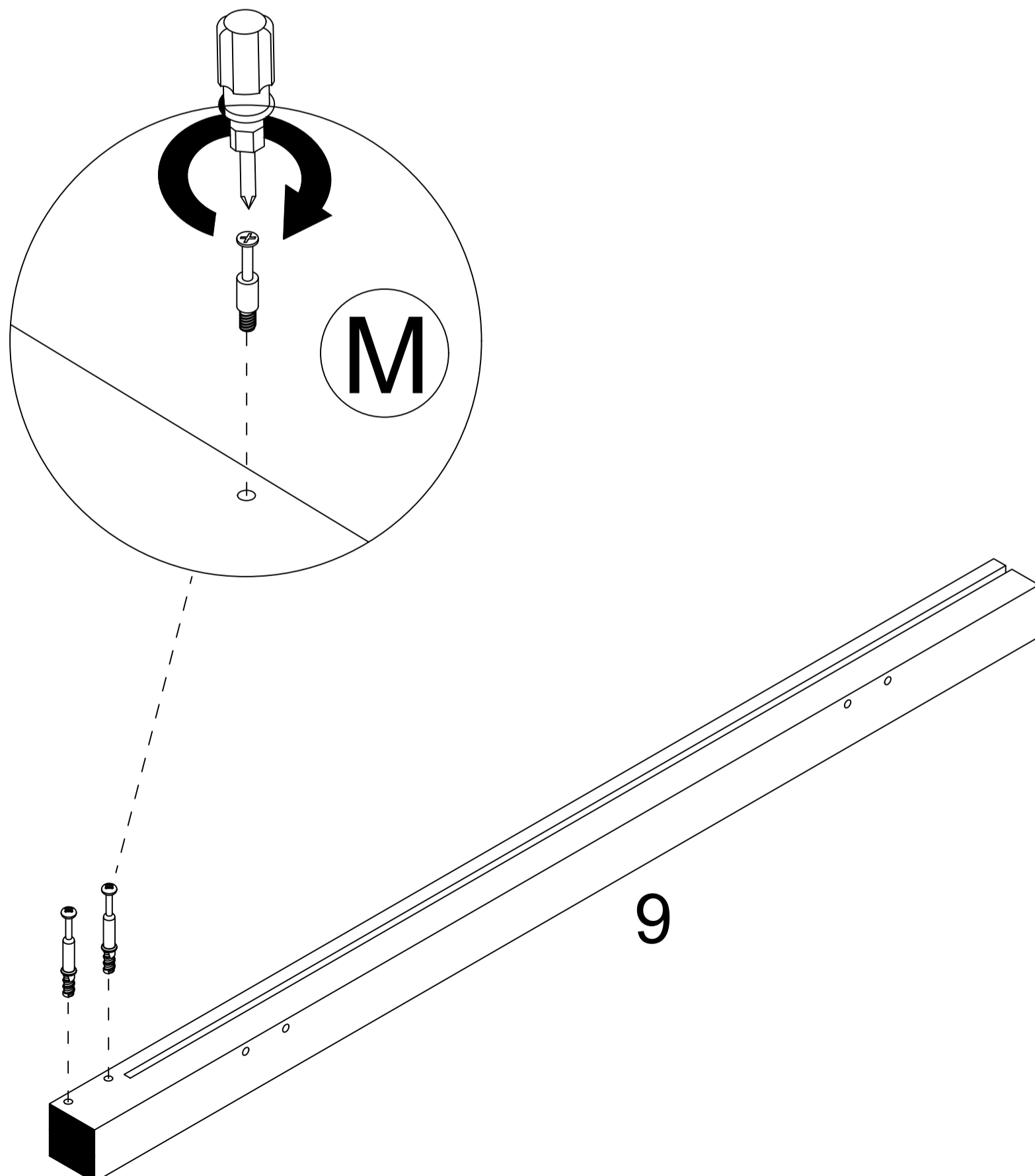
SY

20

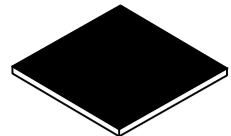
Step 26

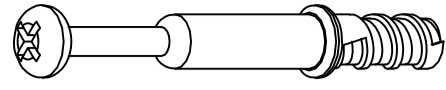



Step 27

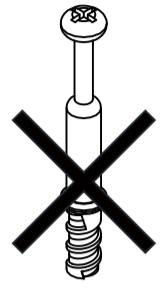
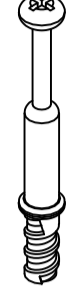


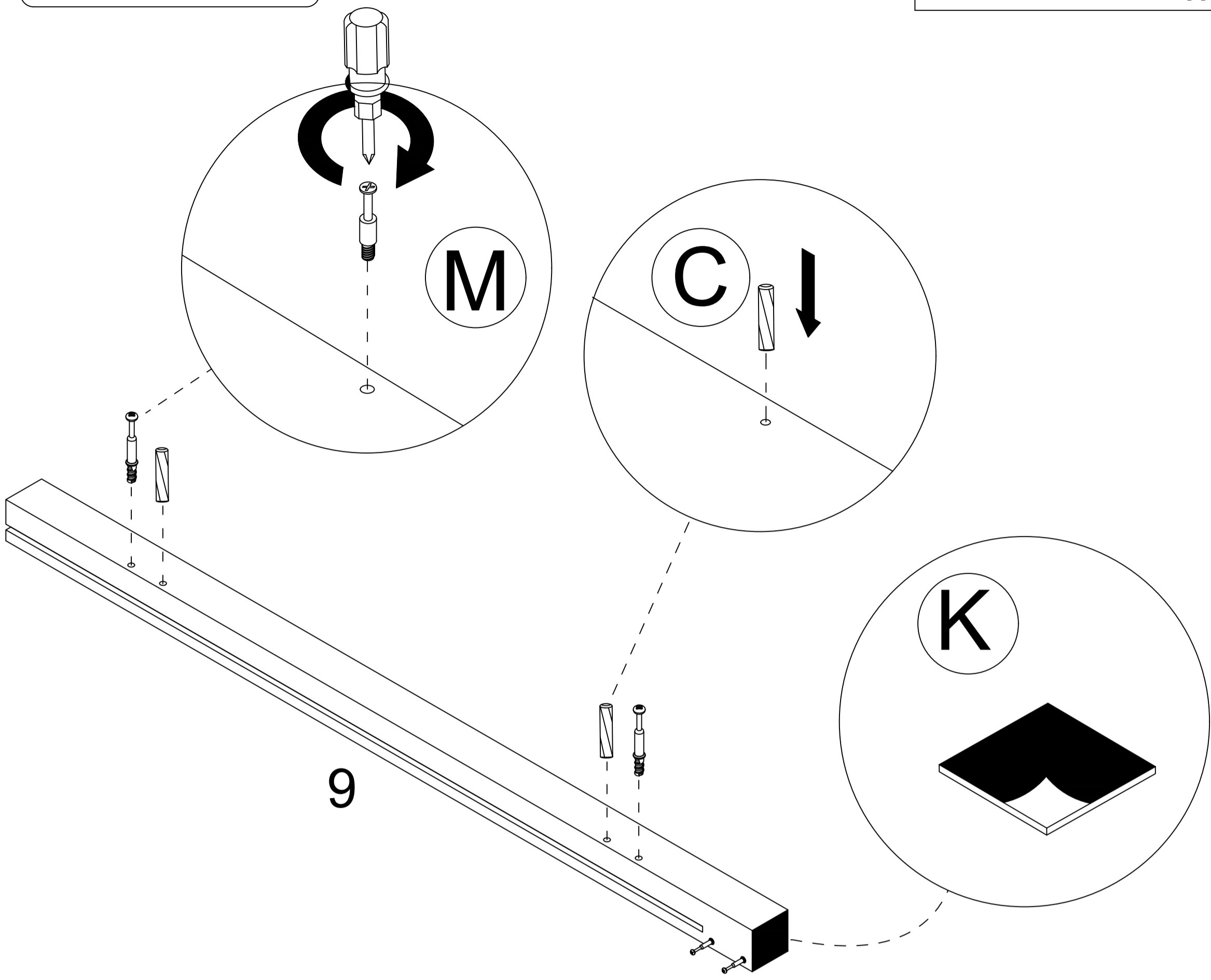
Step 28

(K)  x1

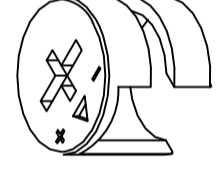
(M)  x2

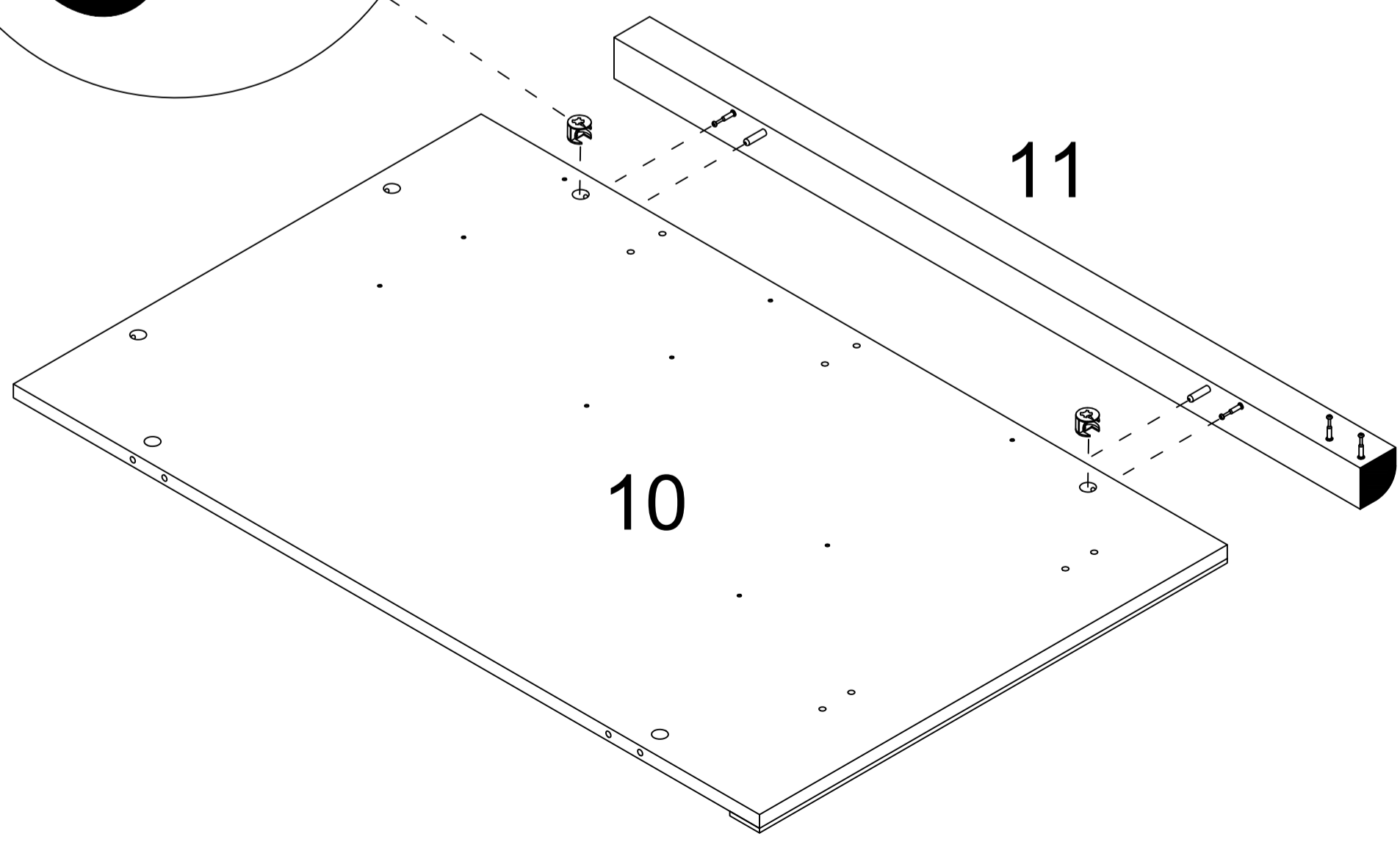
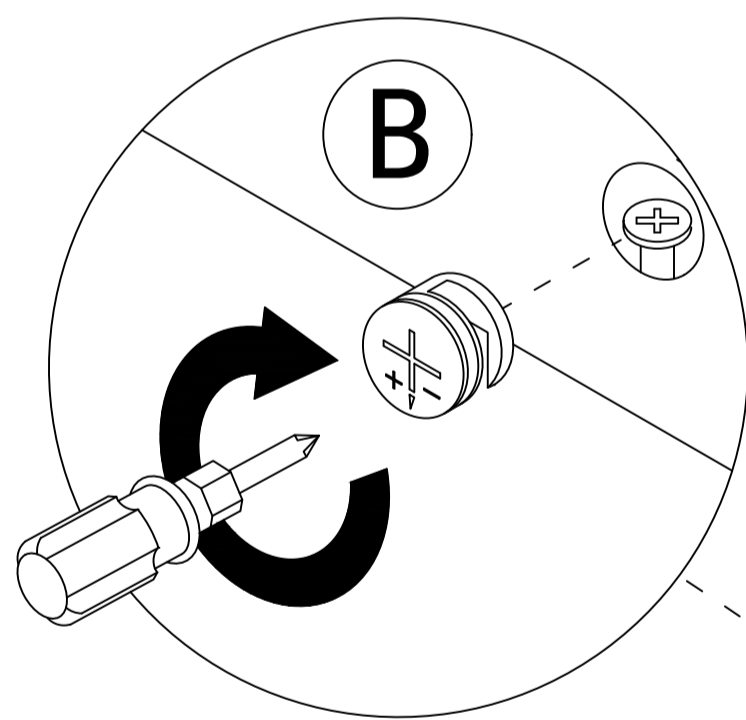
(C)  x2

 (6x33mm) (A)	 (6x35mm) (M)
--	---



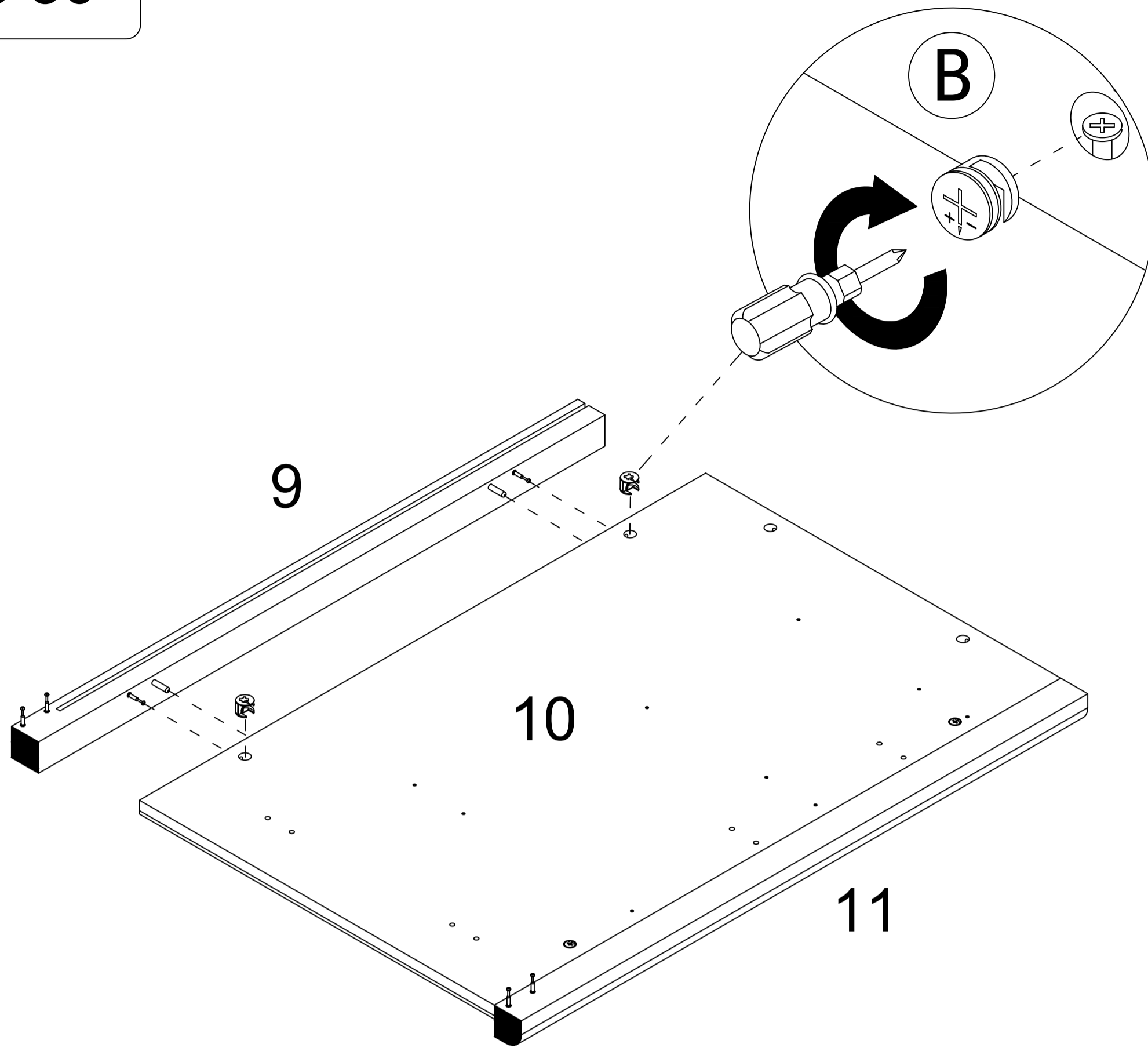
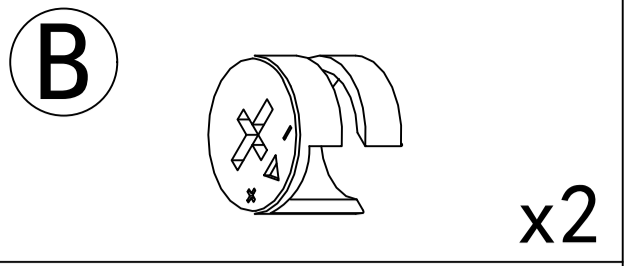
Step 29

(B)  x2

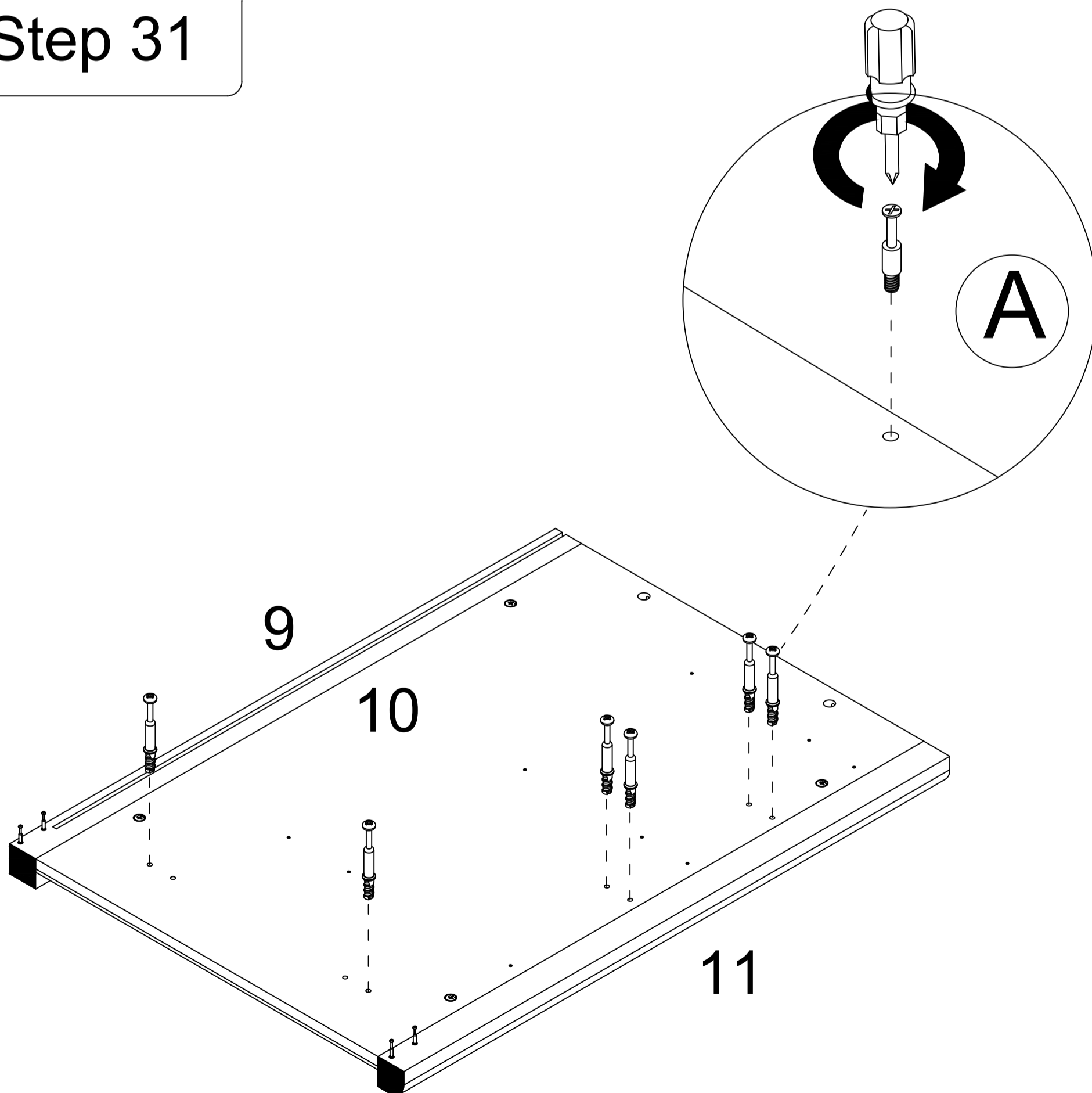
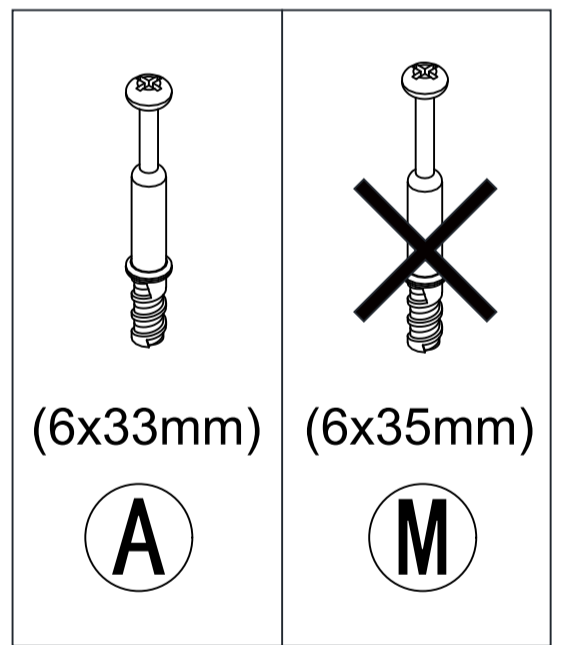
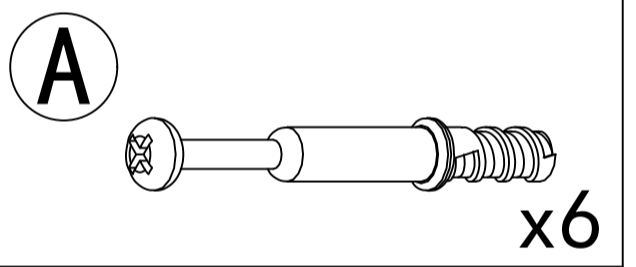


22

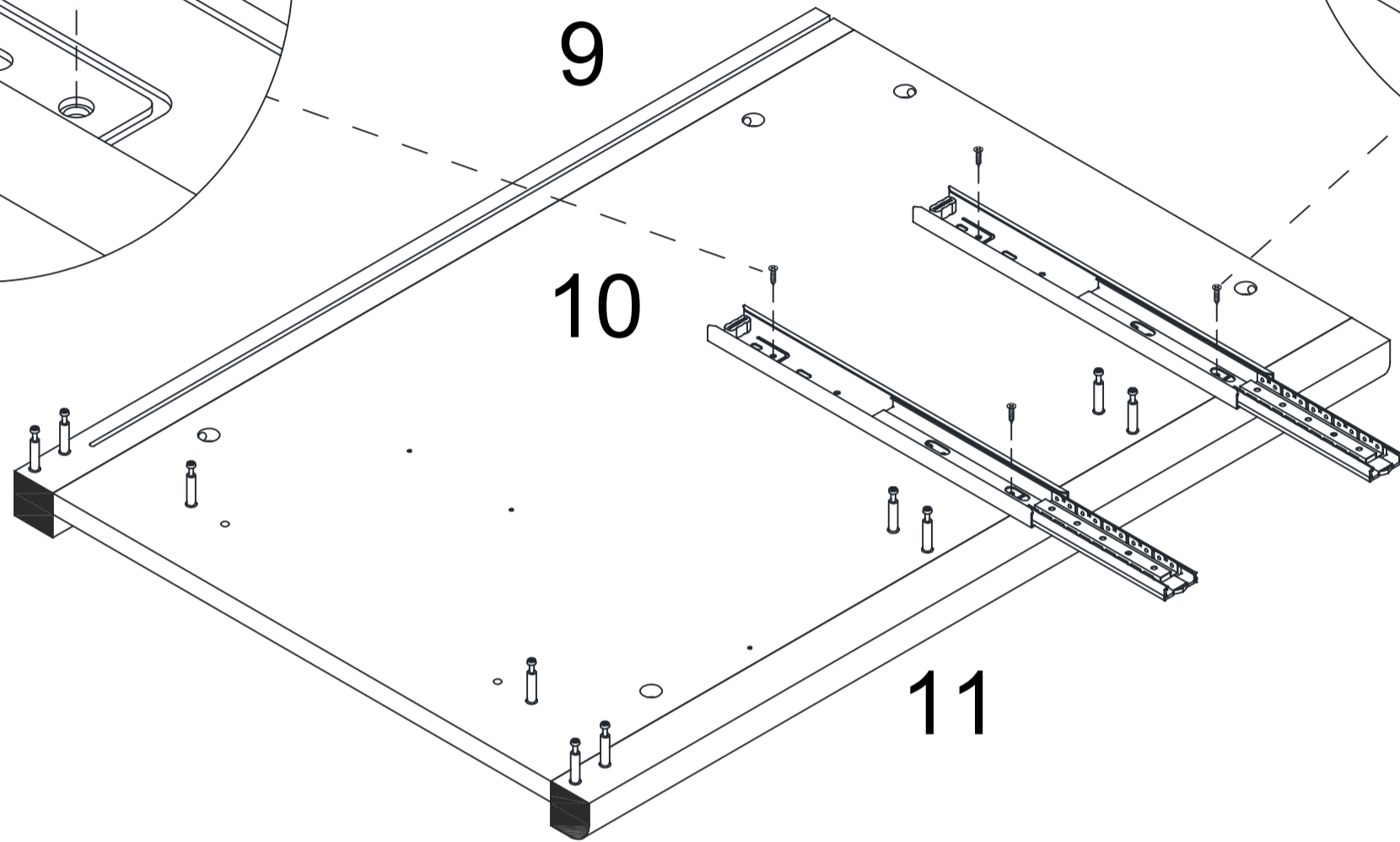
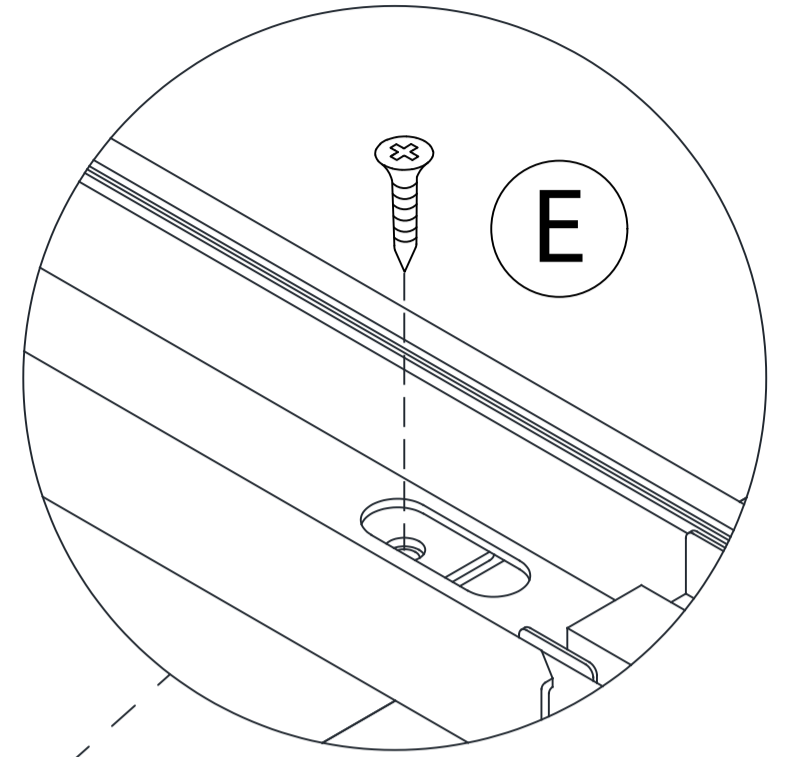
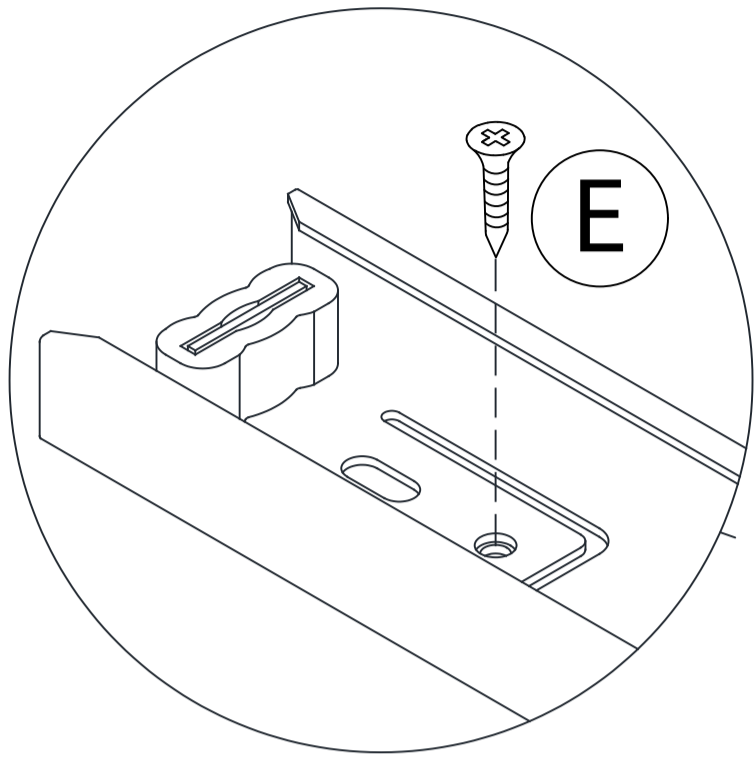
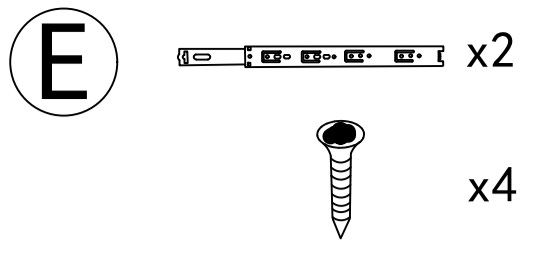
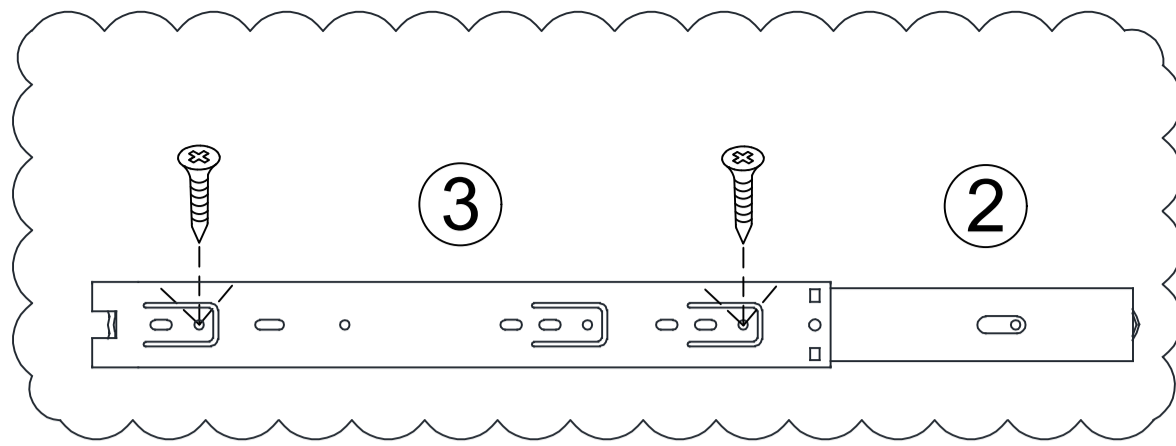
Step 30



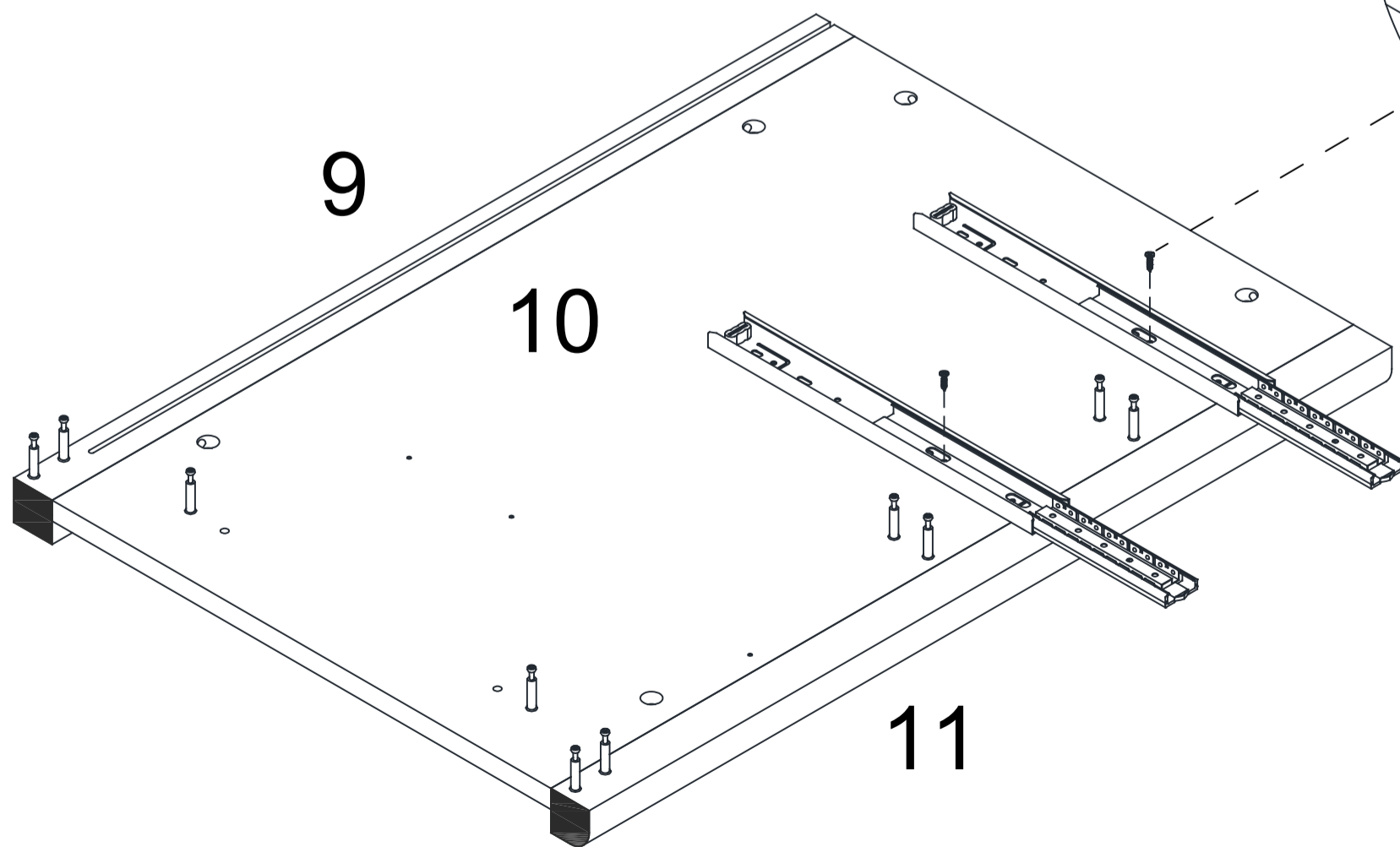
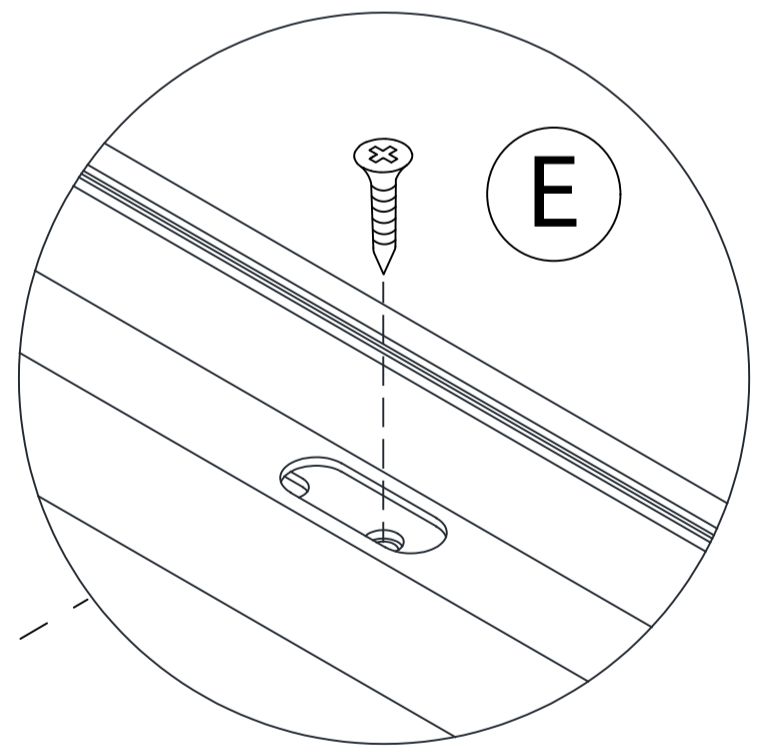
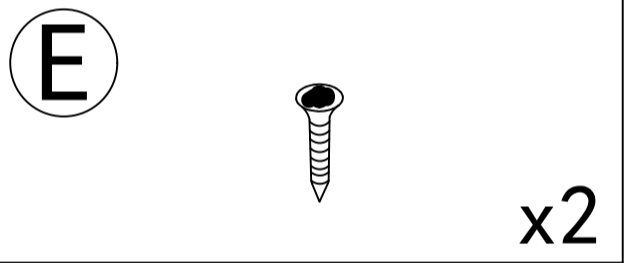
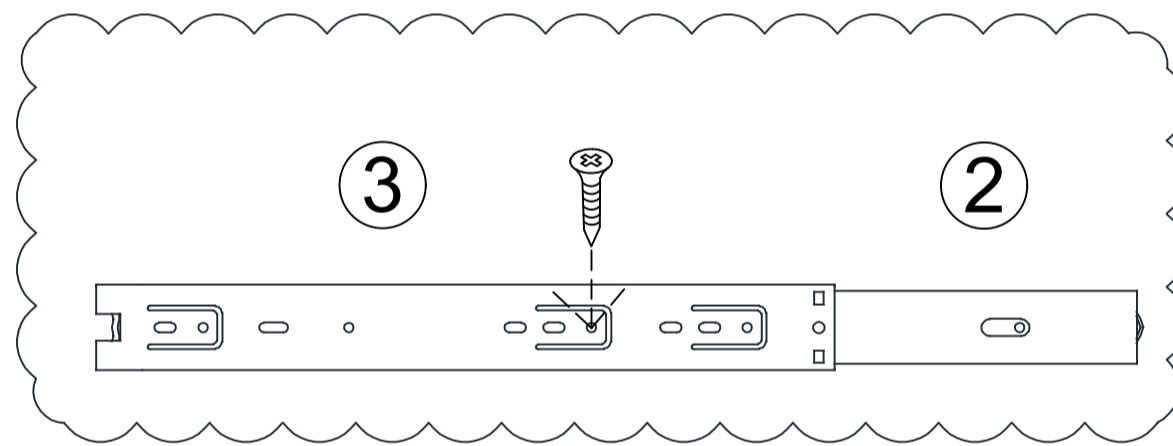
Step 31



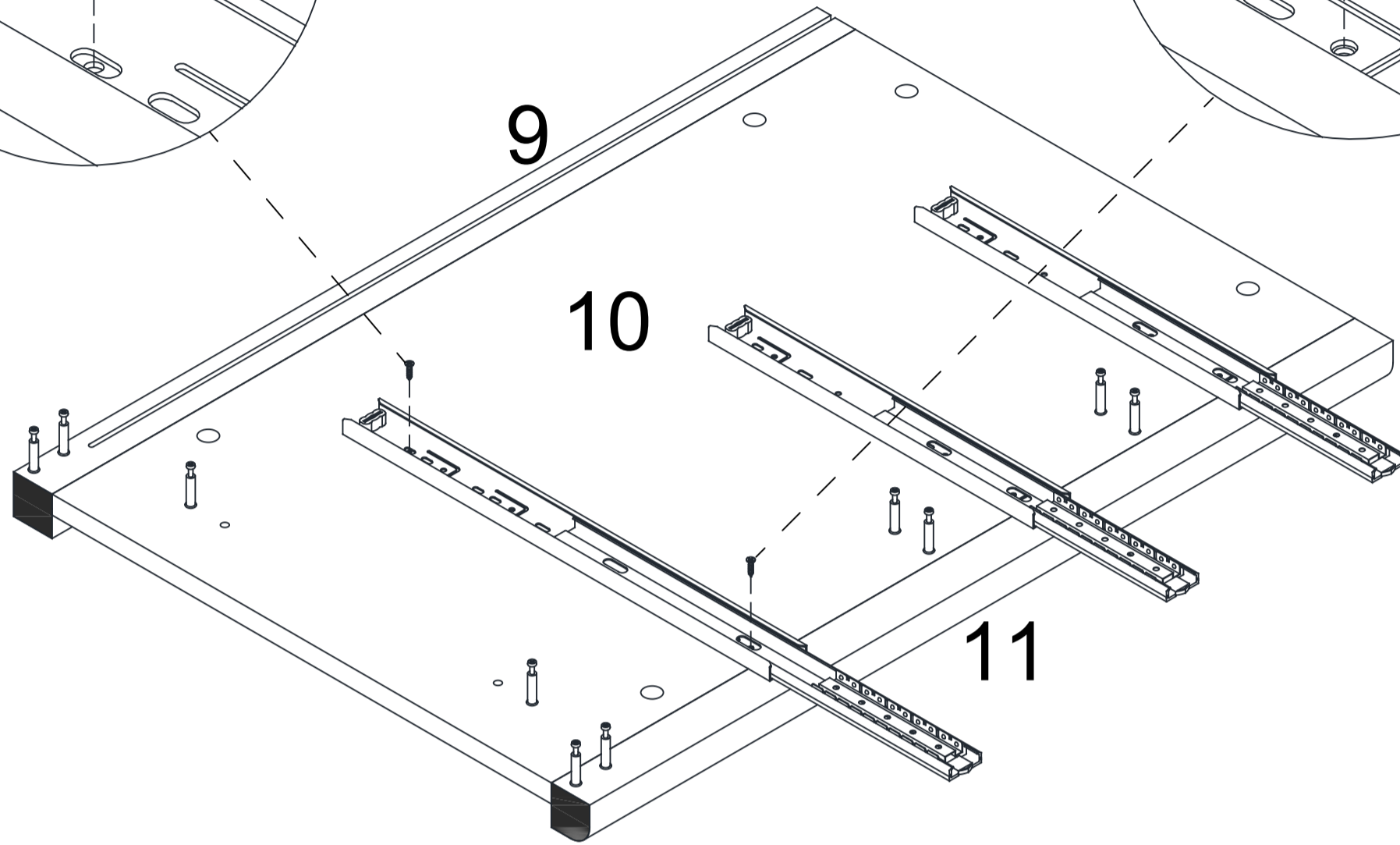
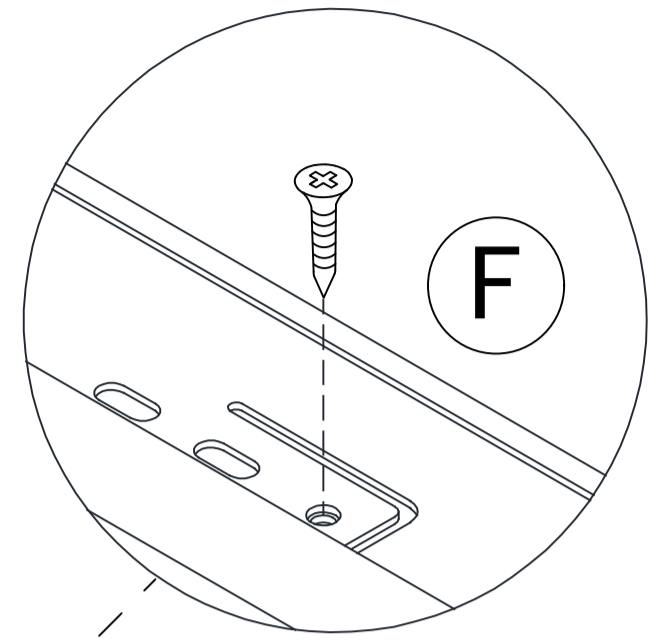
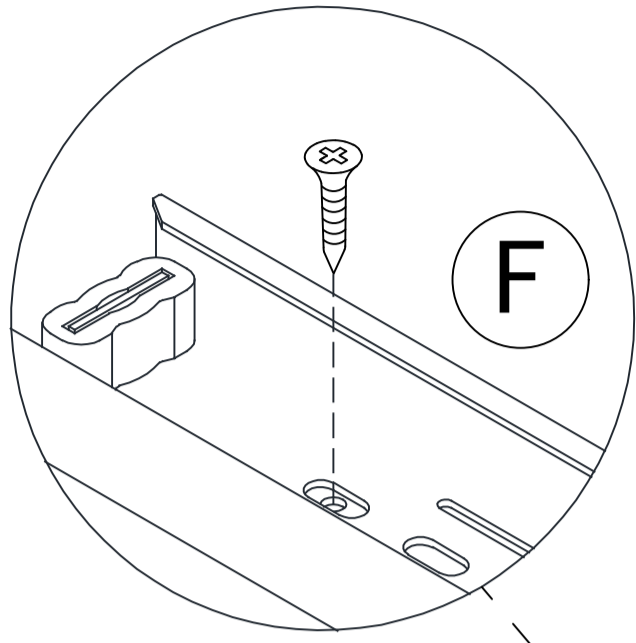
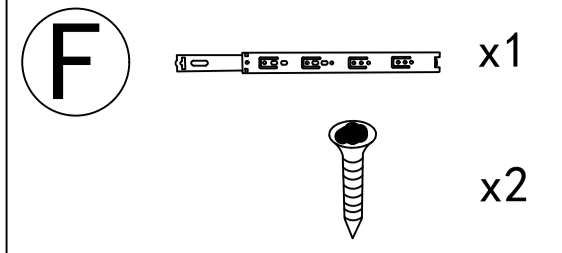
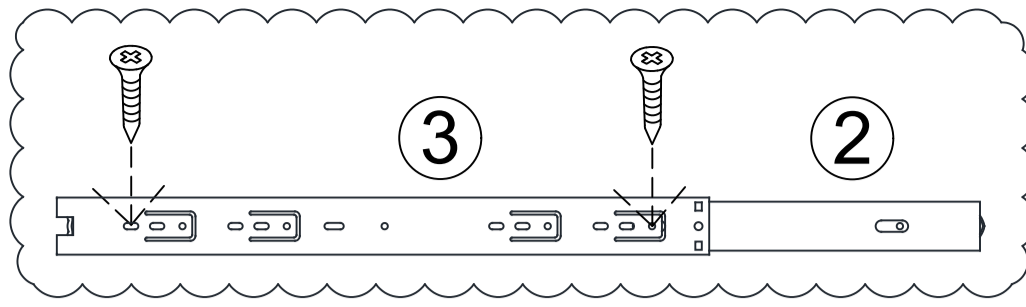
Step 32



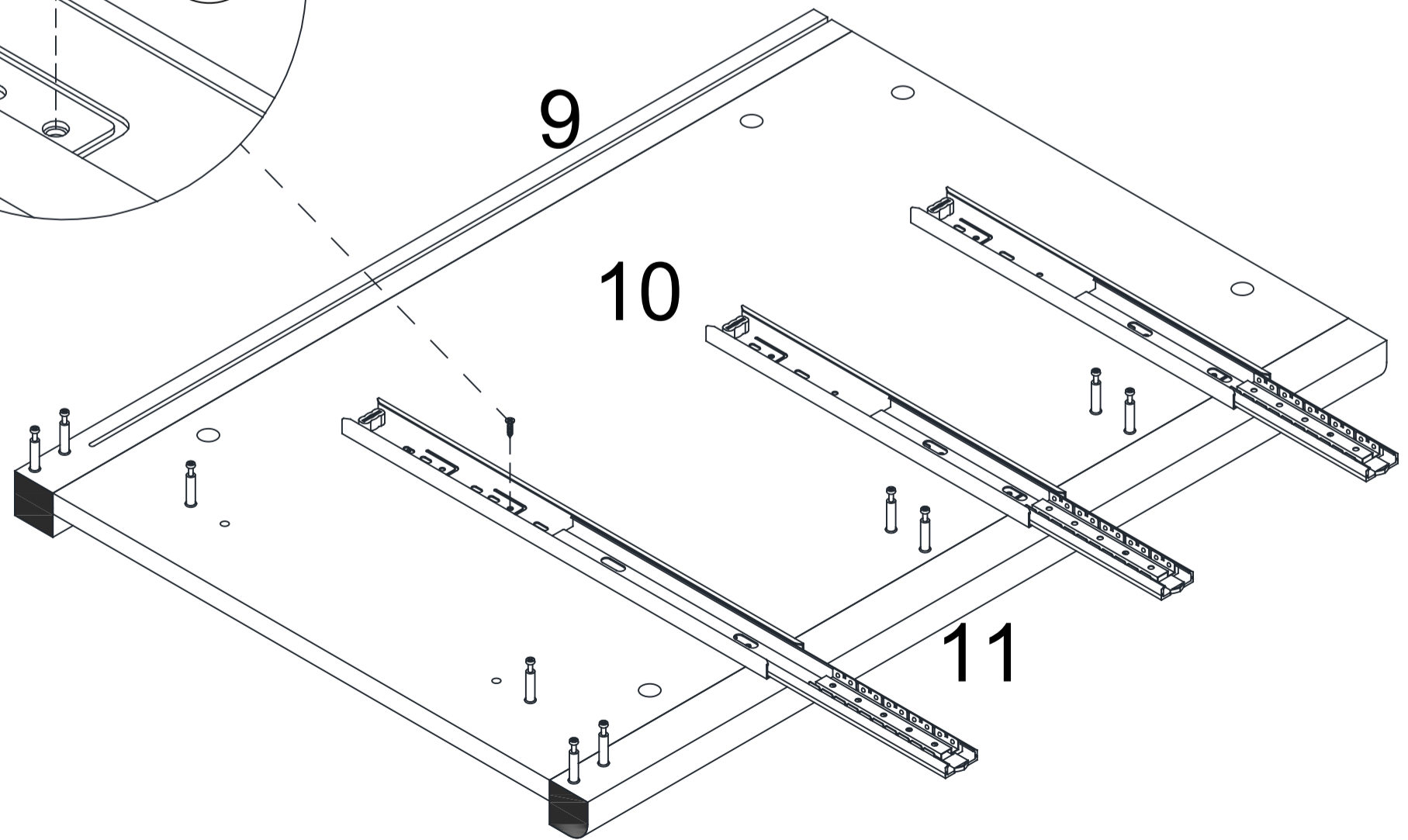
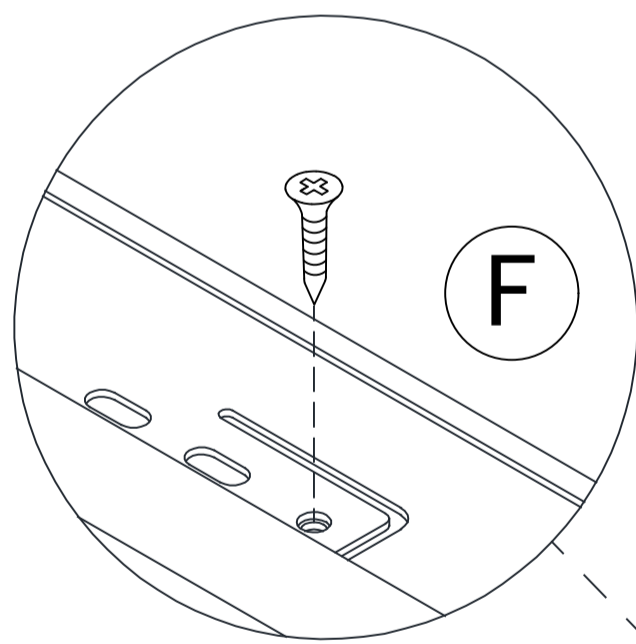
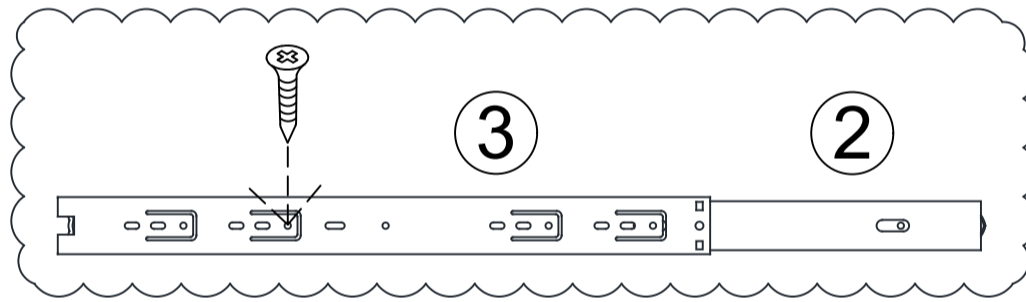
Step 33



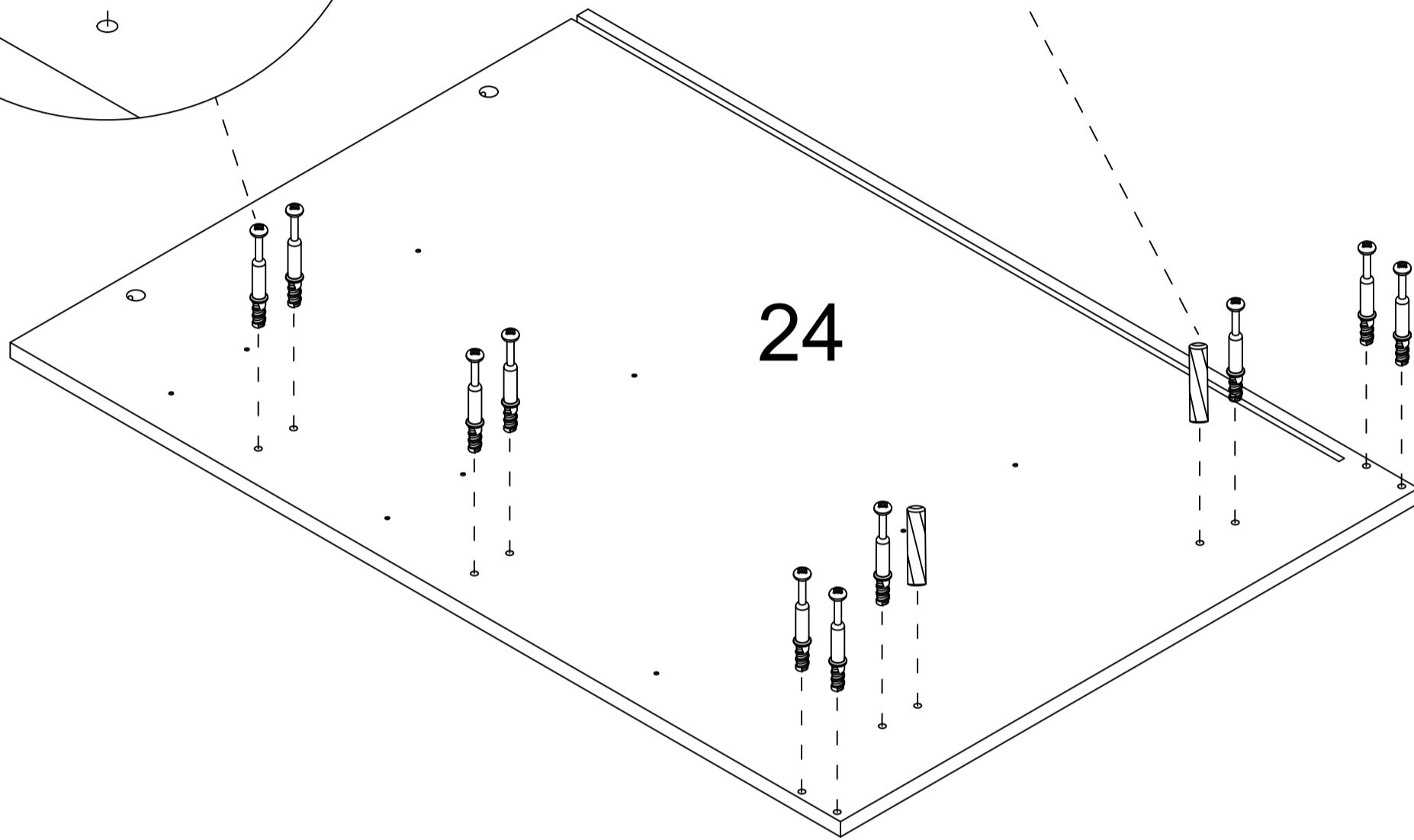
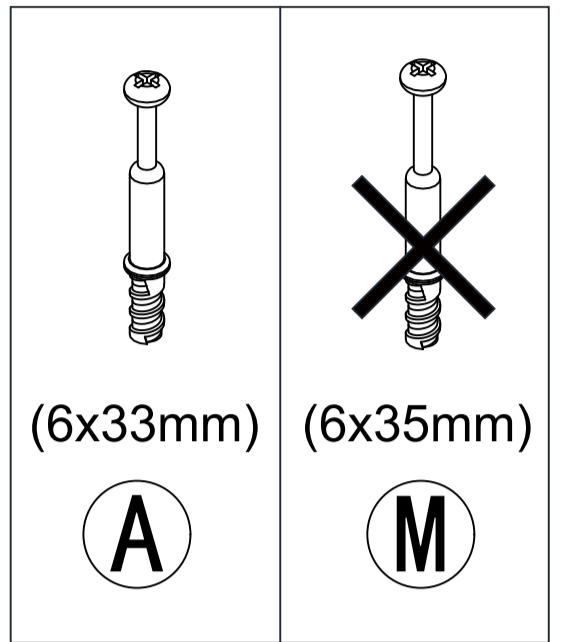
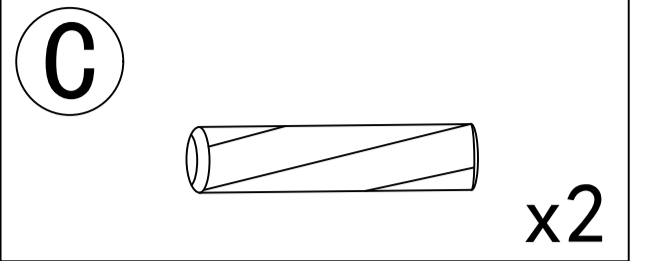
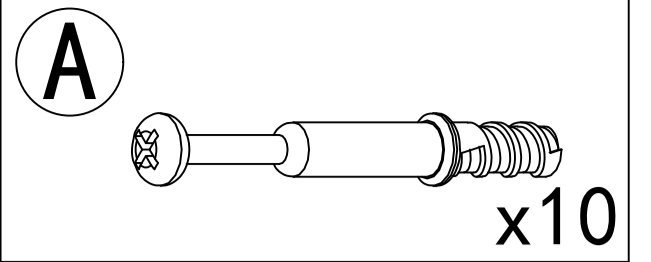
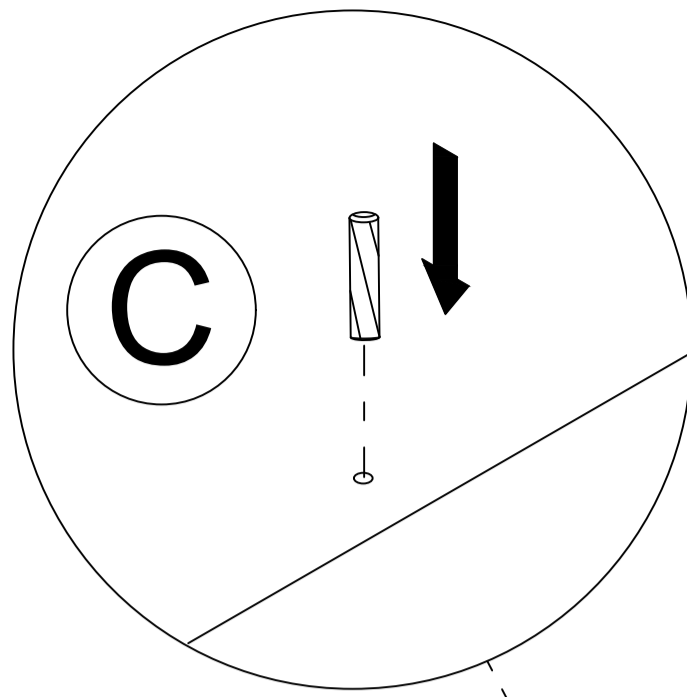
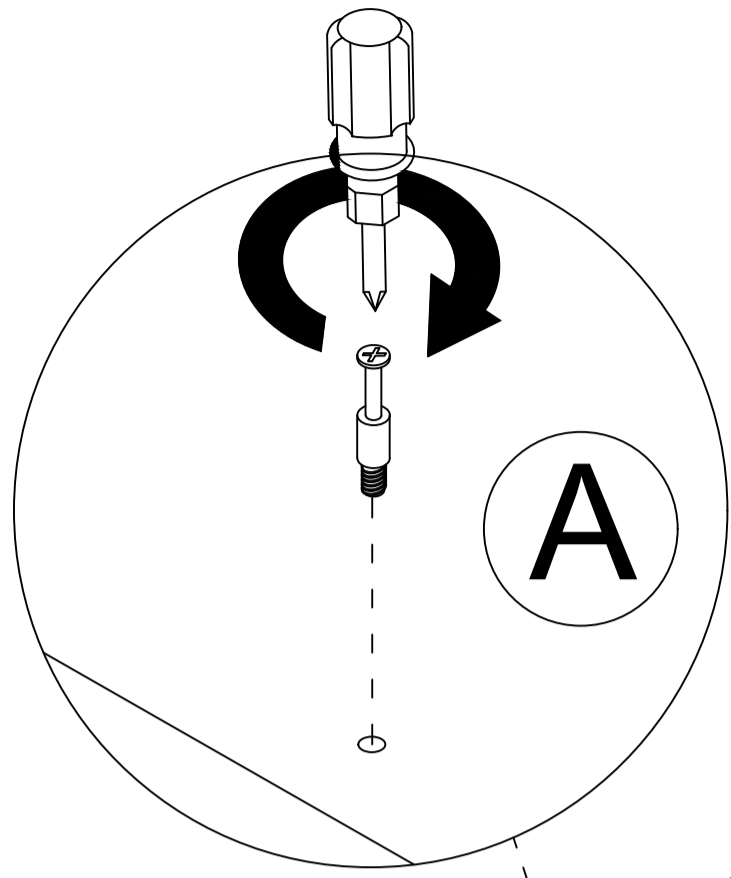
Step 34



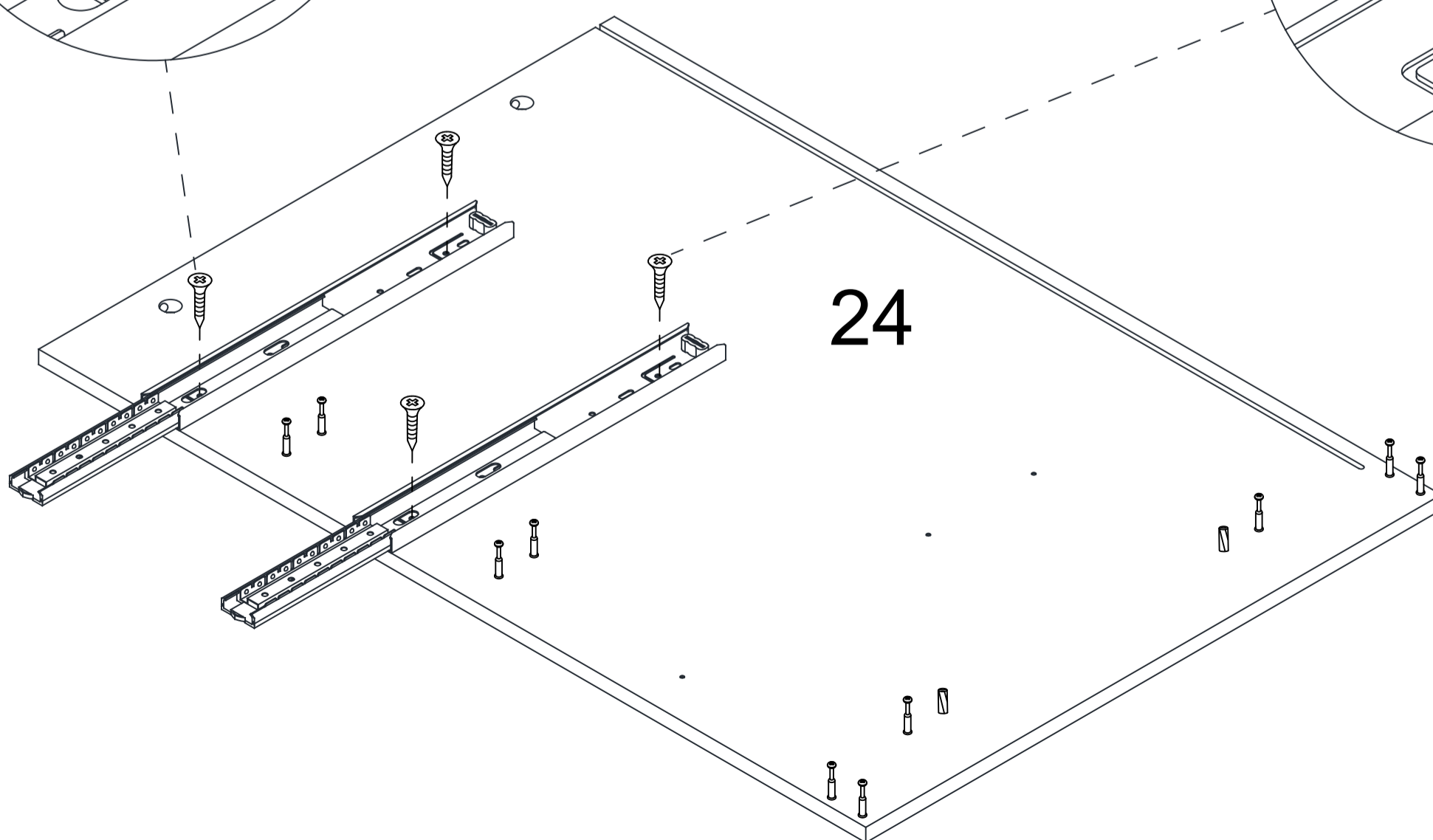
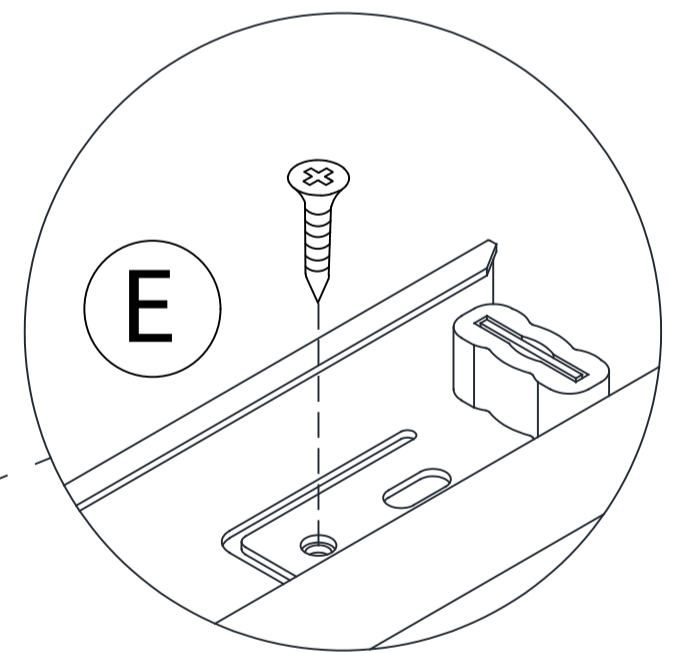
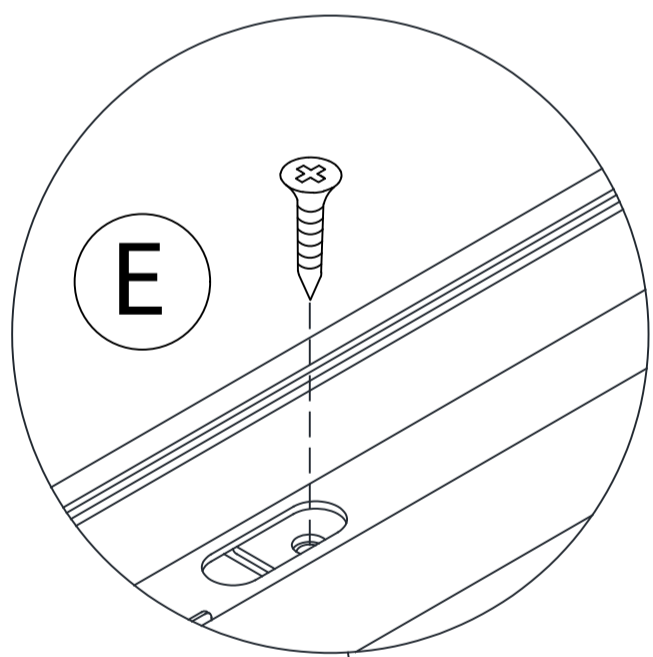
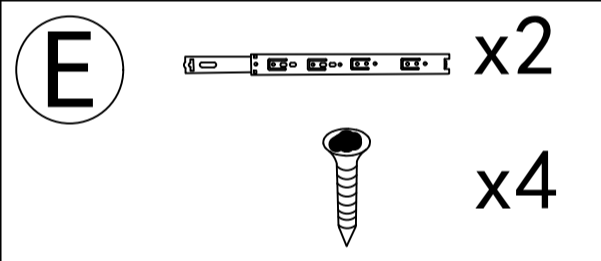
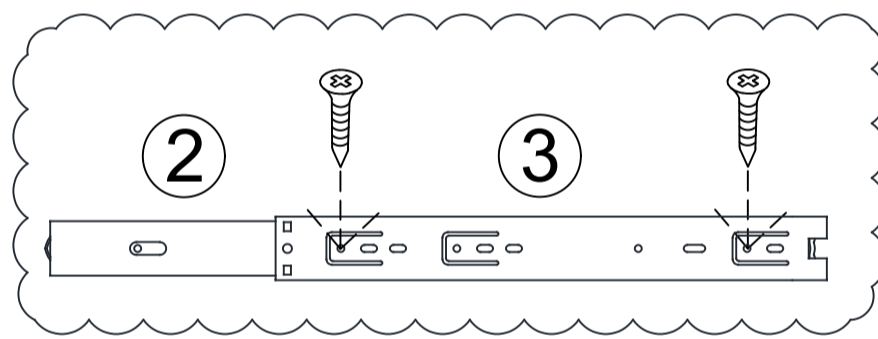
Step 35



Step 36



Step 37

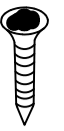


26

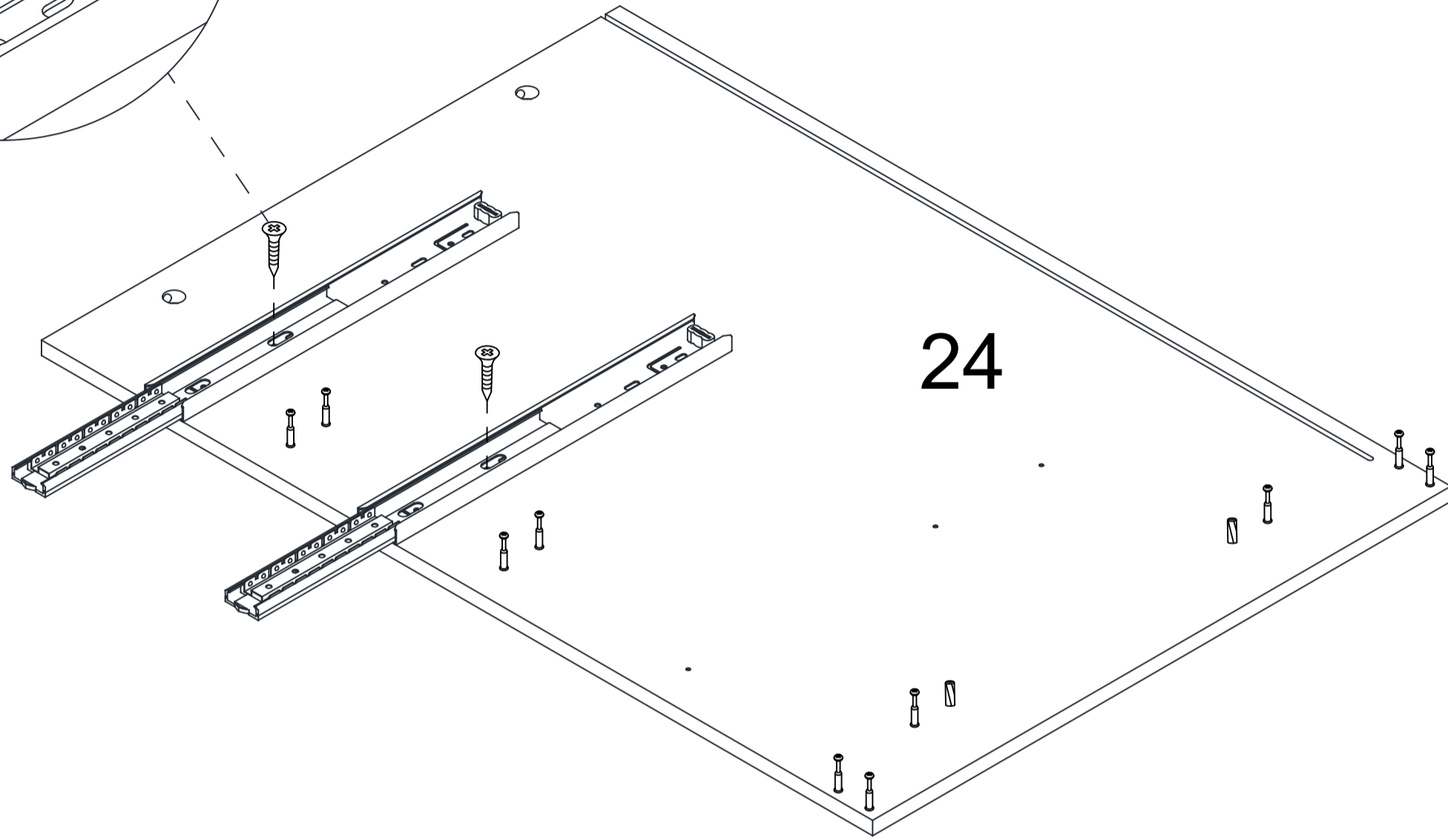
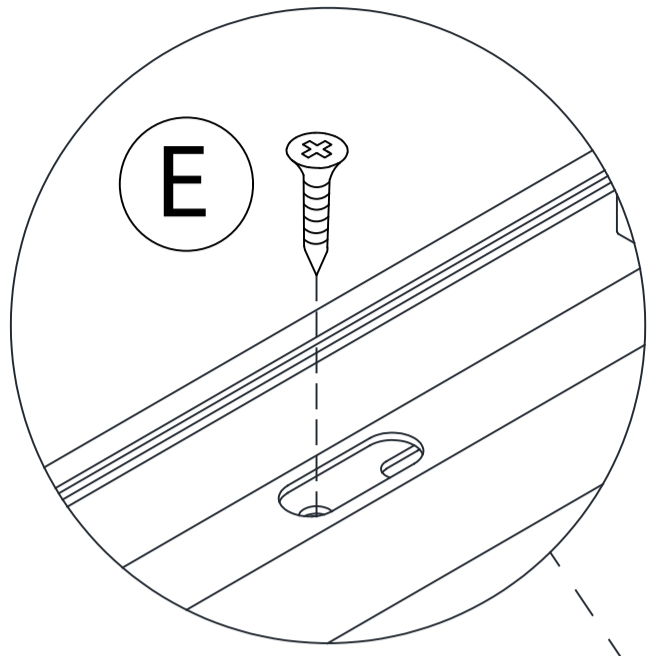
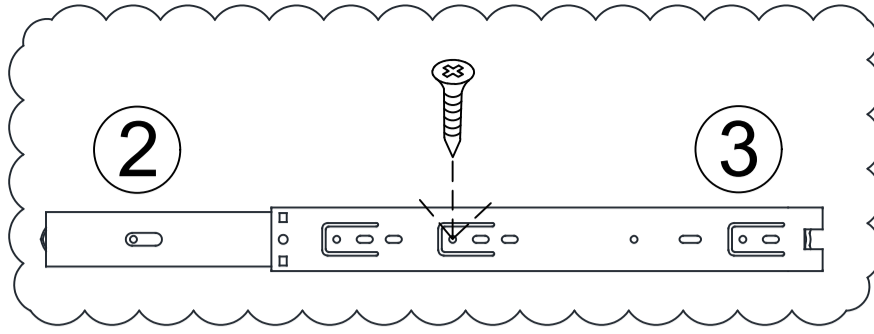
SY

Step 38

E

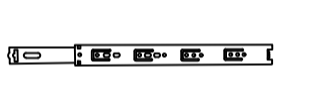


x2



Step 39

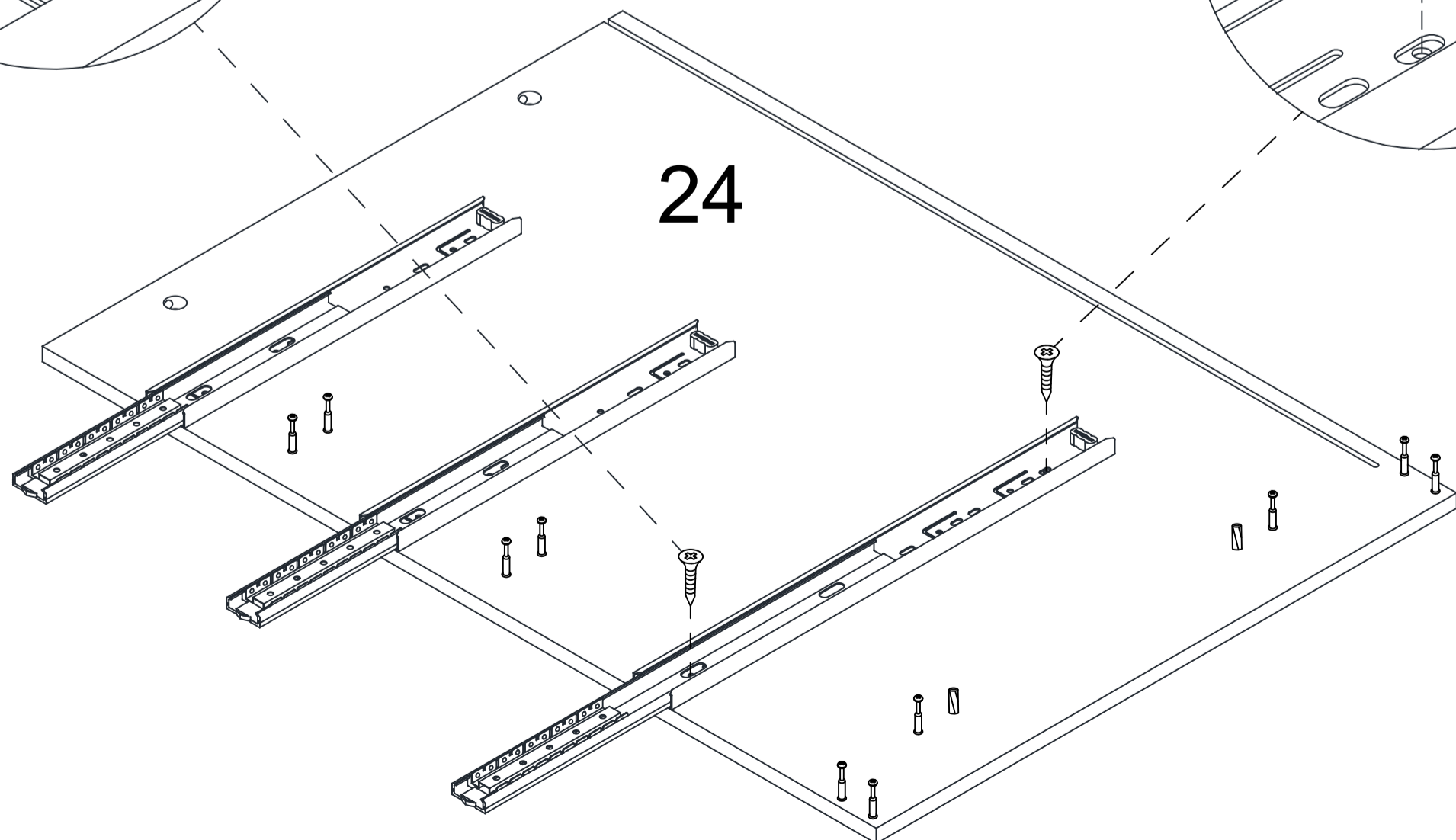
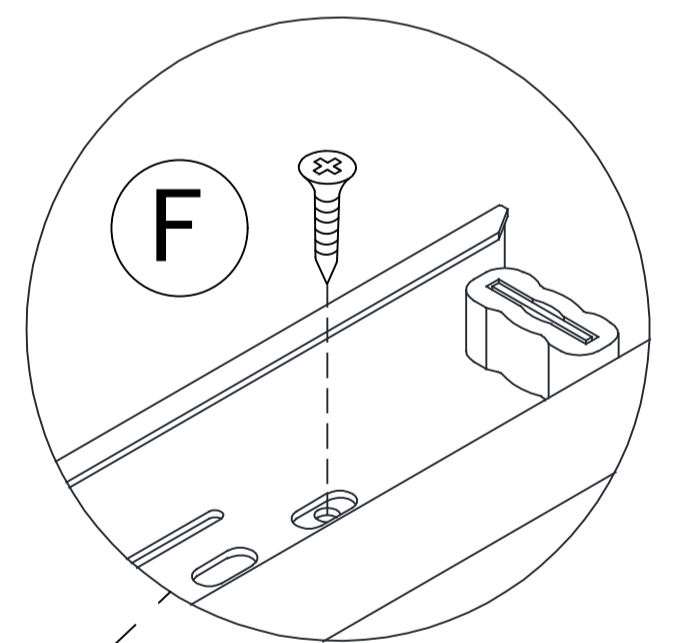
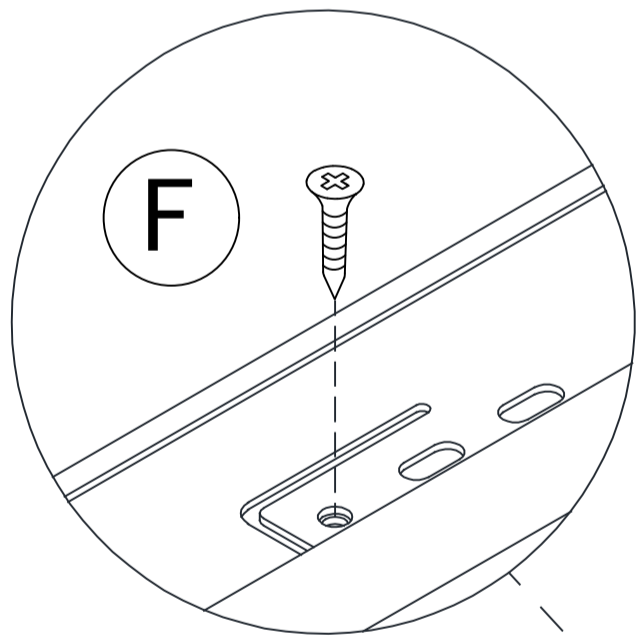
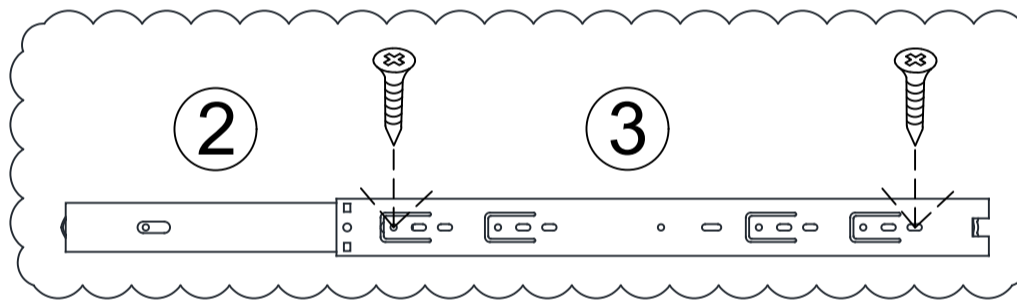
F



x1



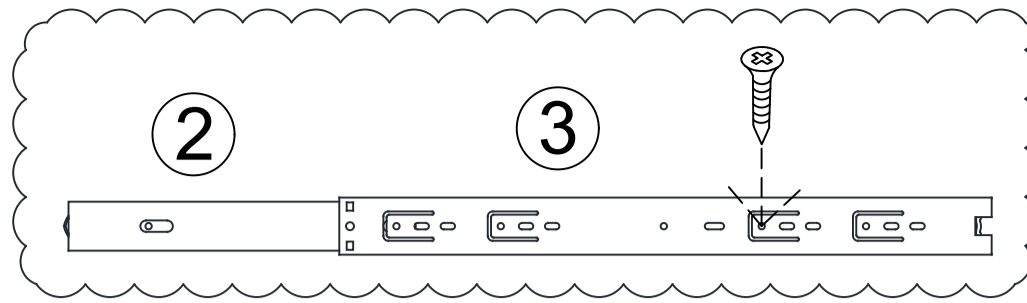
x2



27

SY

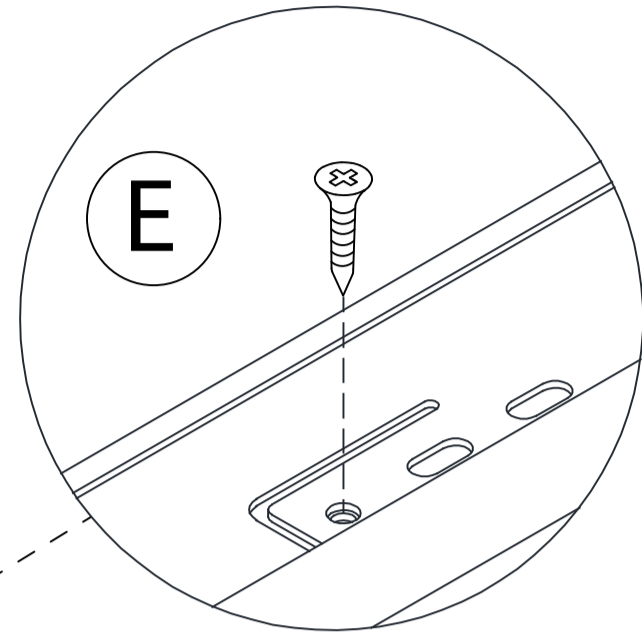
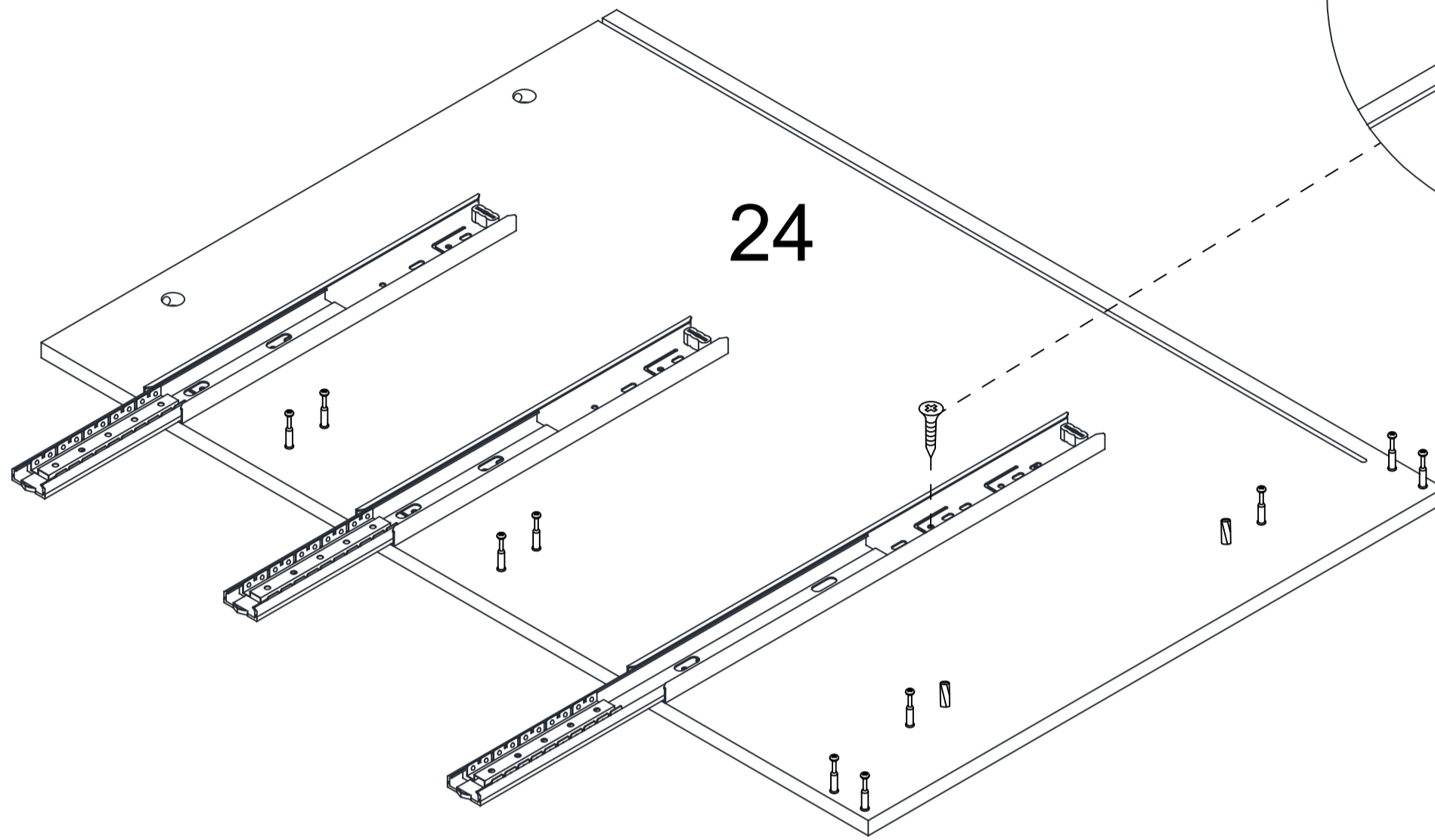
Step 40



F

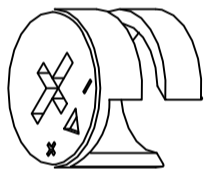


x1



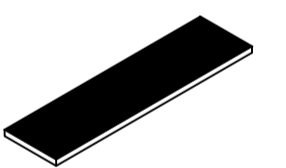
Step 41

B

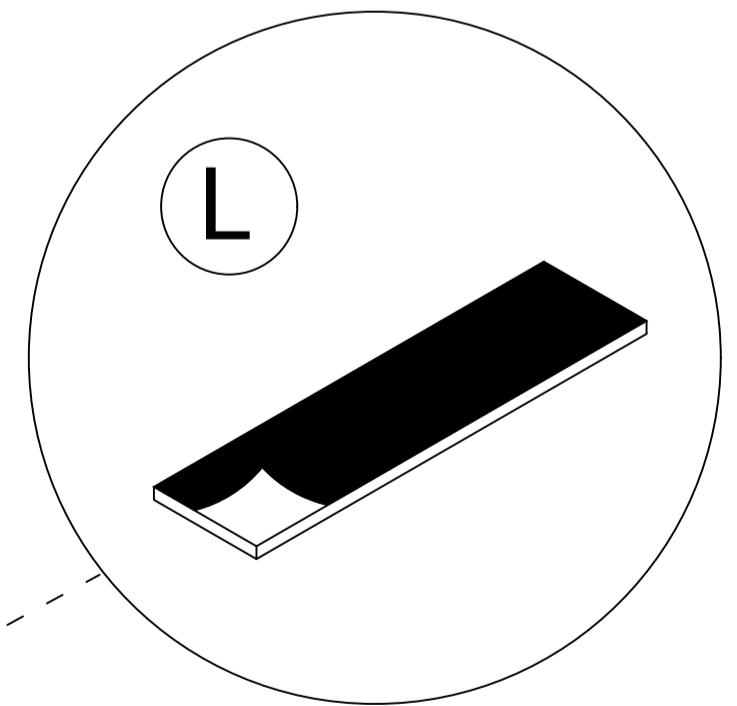
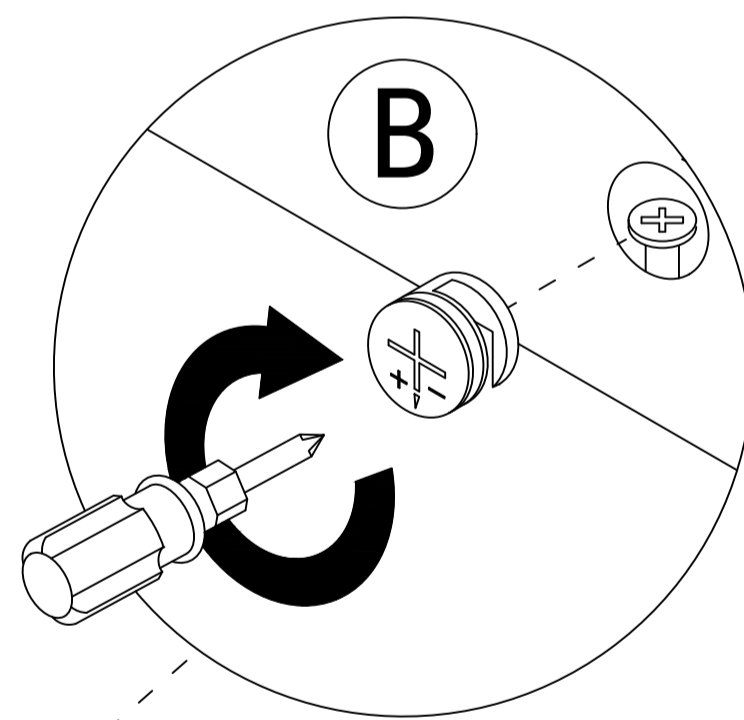
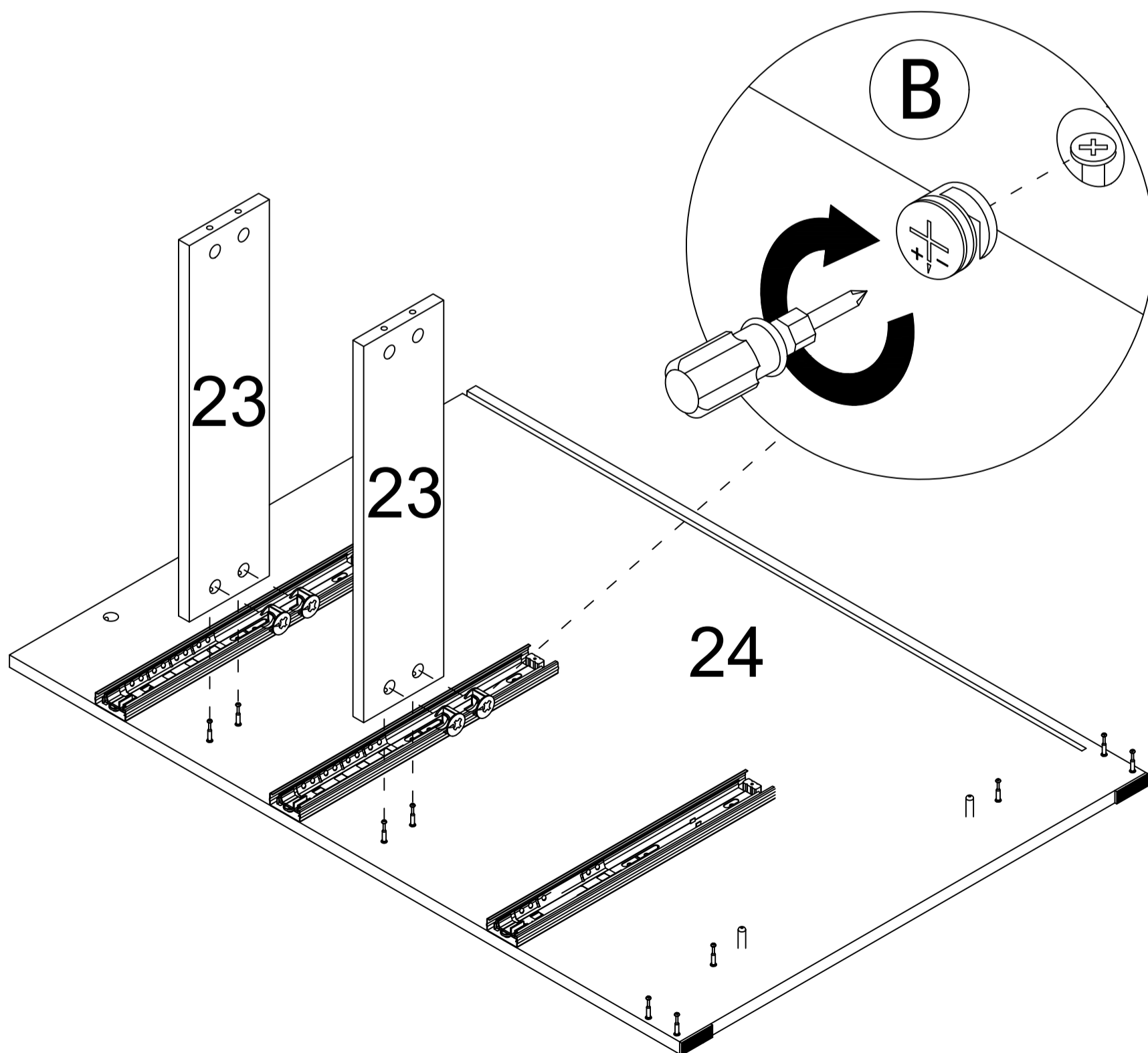


x4

L



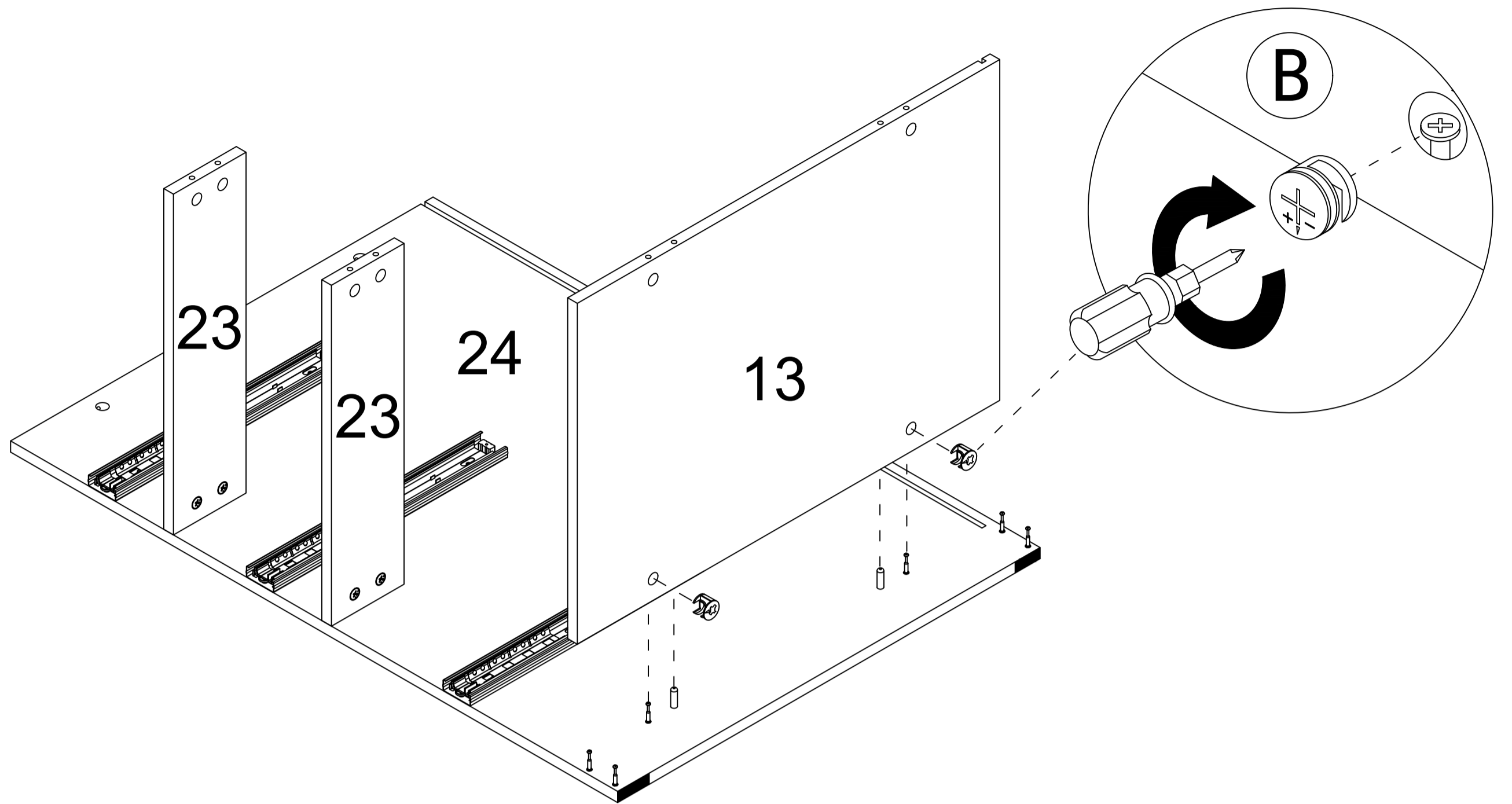
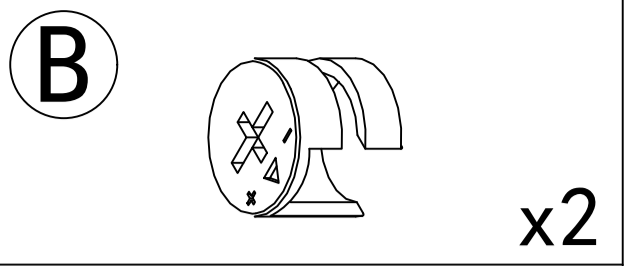
x2



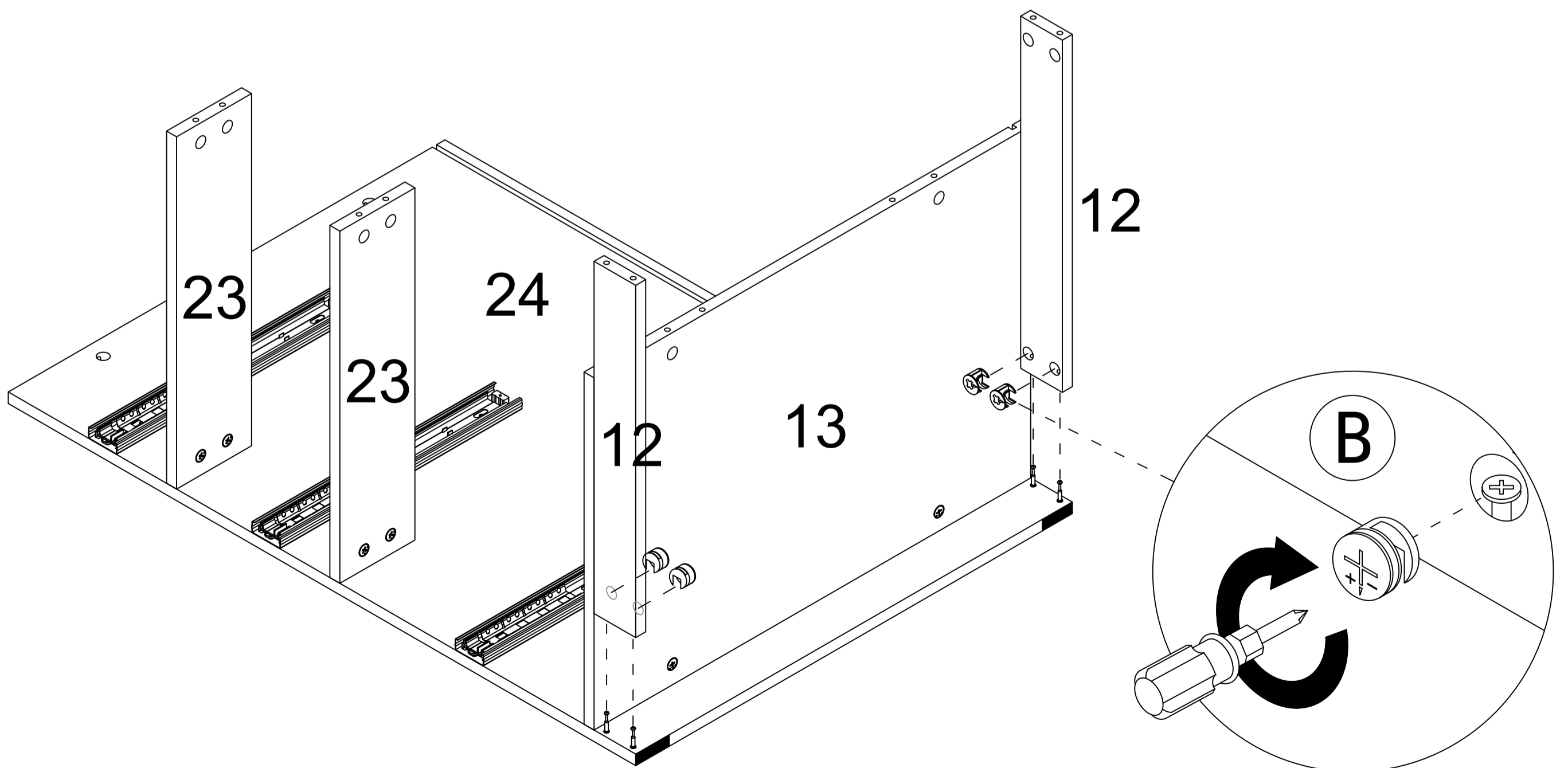
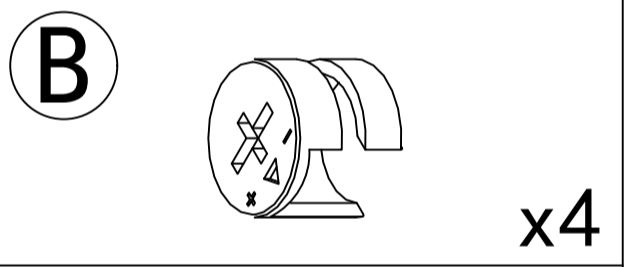
28

SY

Step 42



Step 43

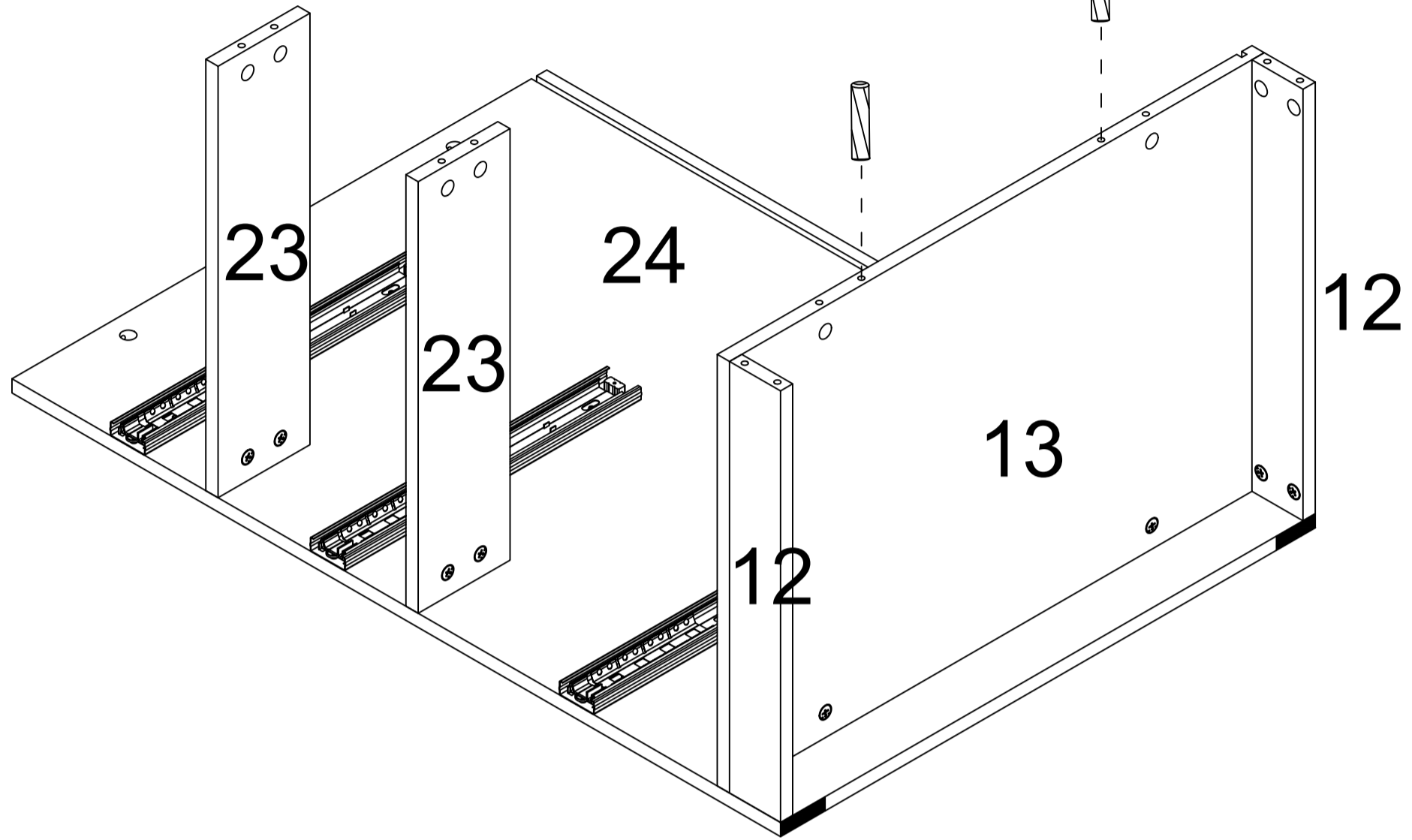
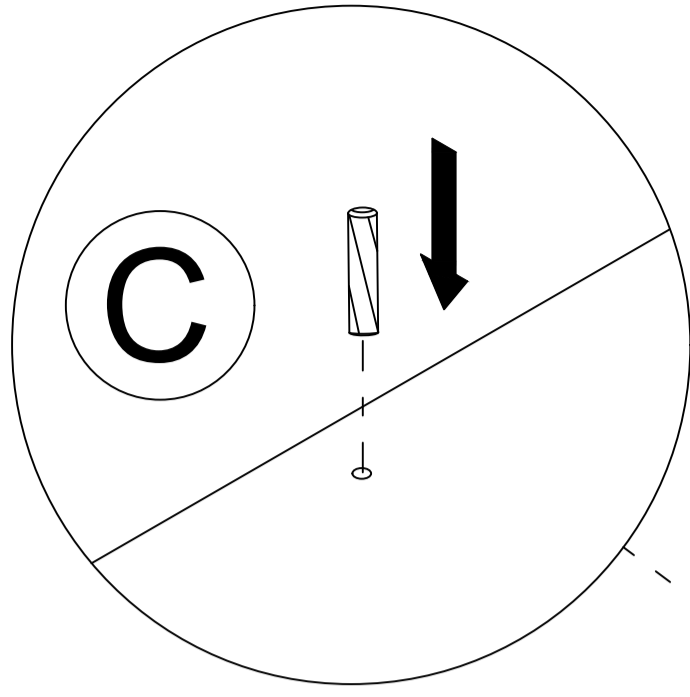


Step 44

C

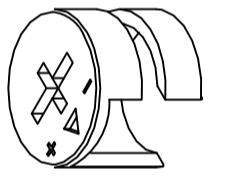


x2

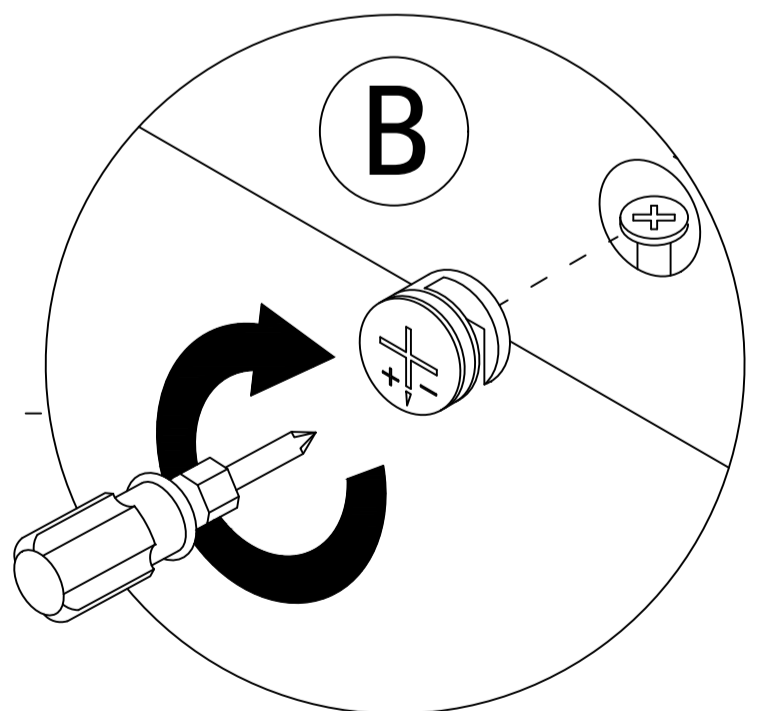
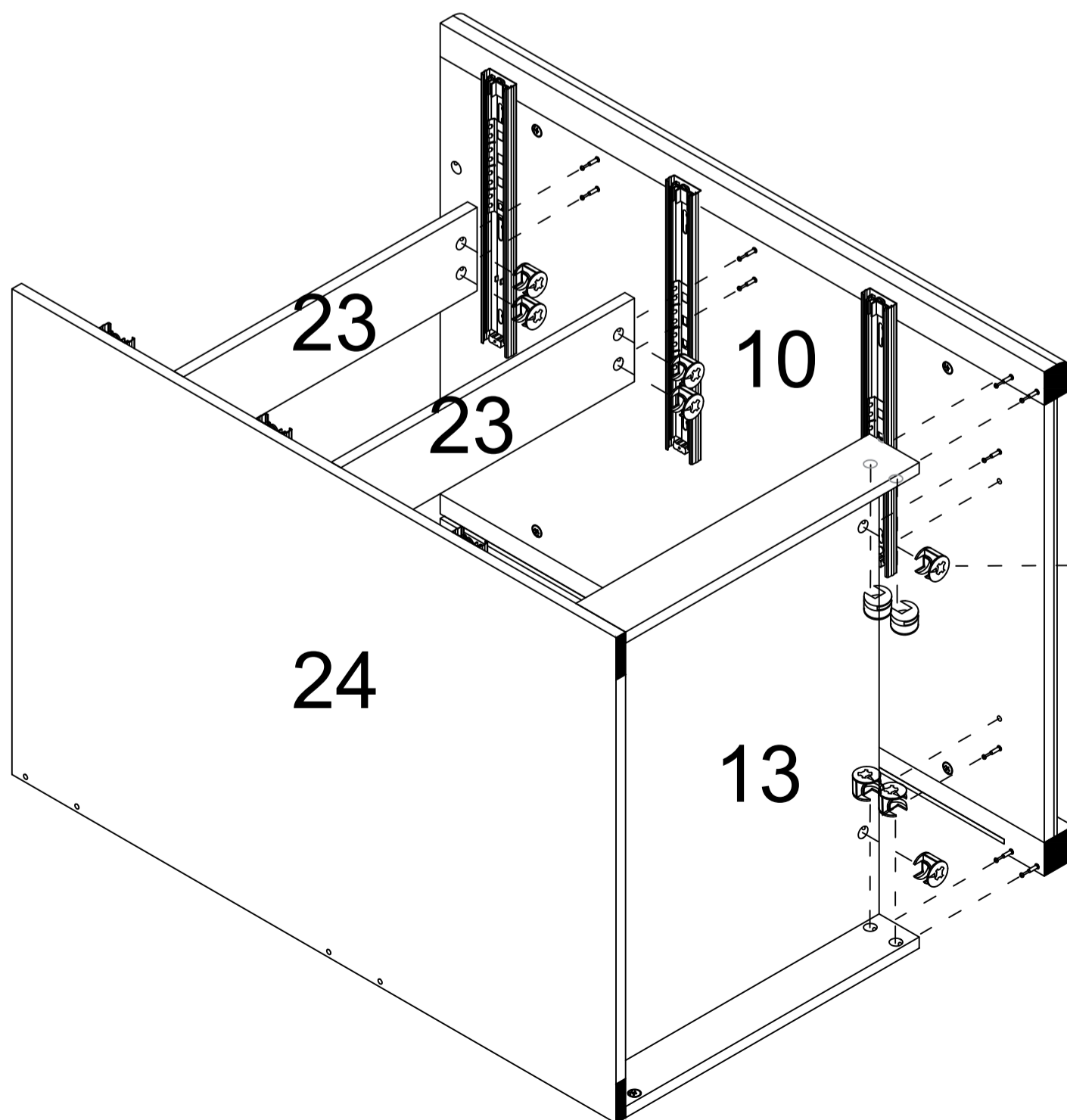


Step 45

B



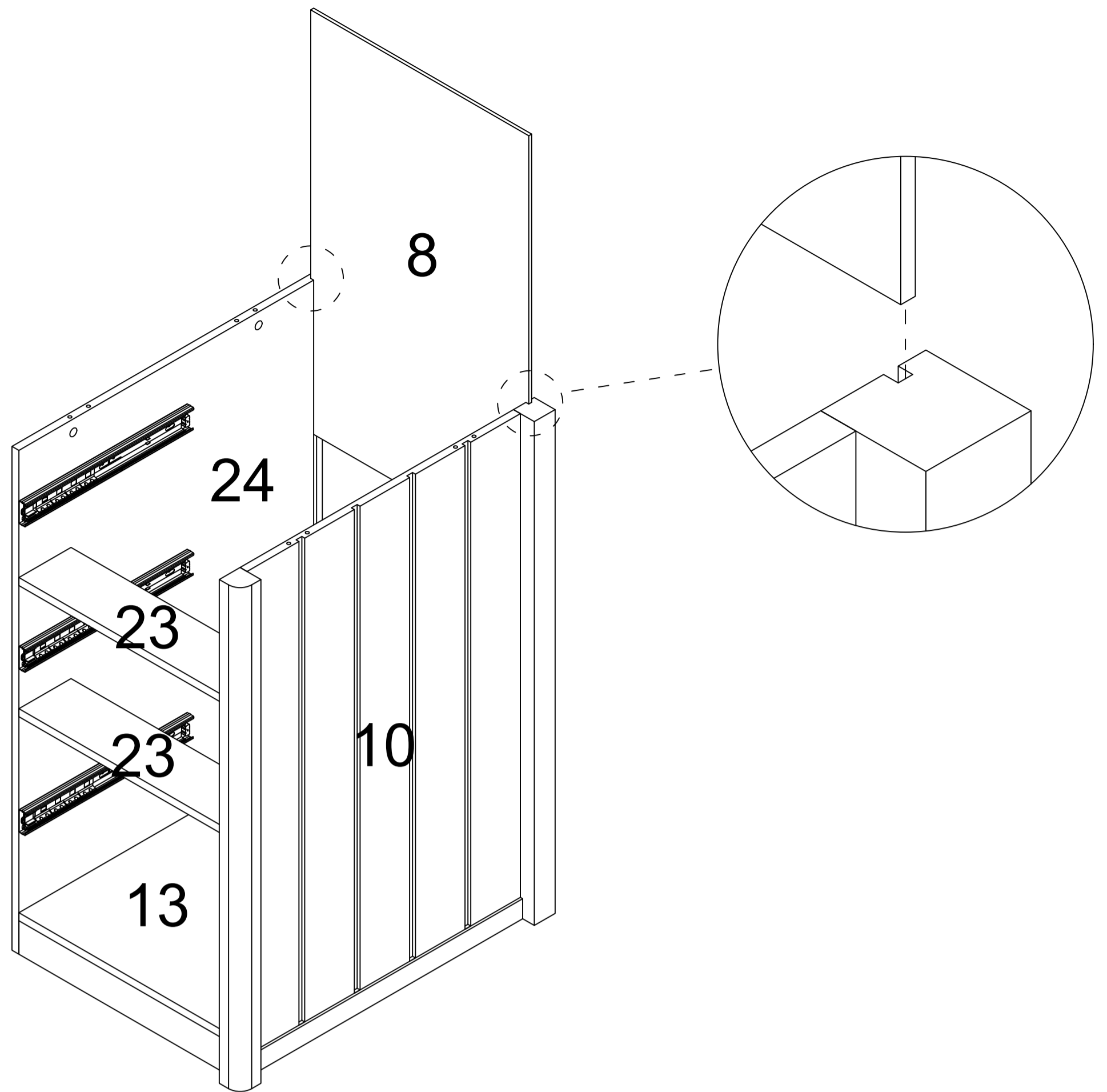
x10



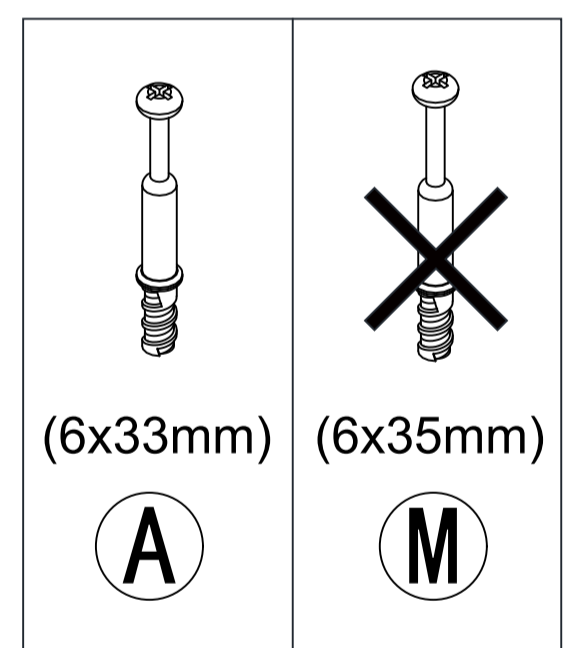
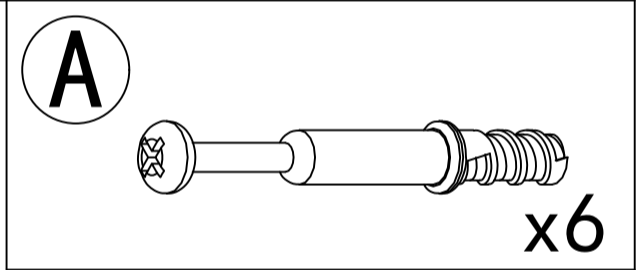
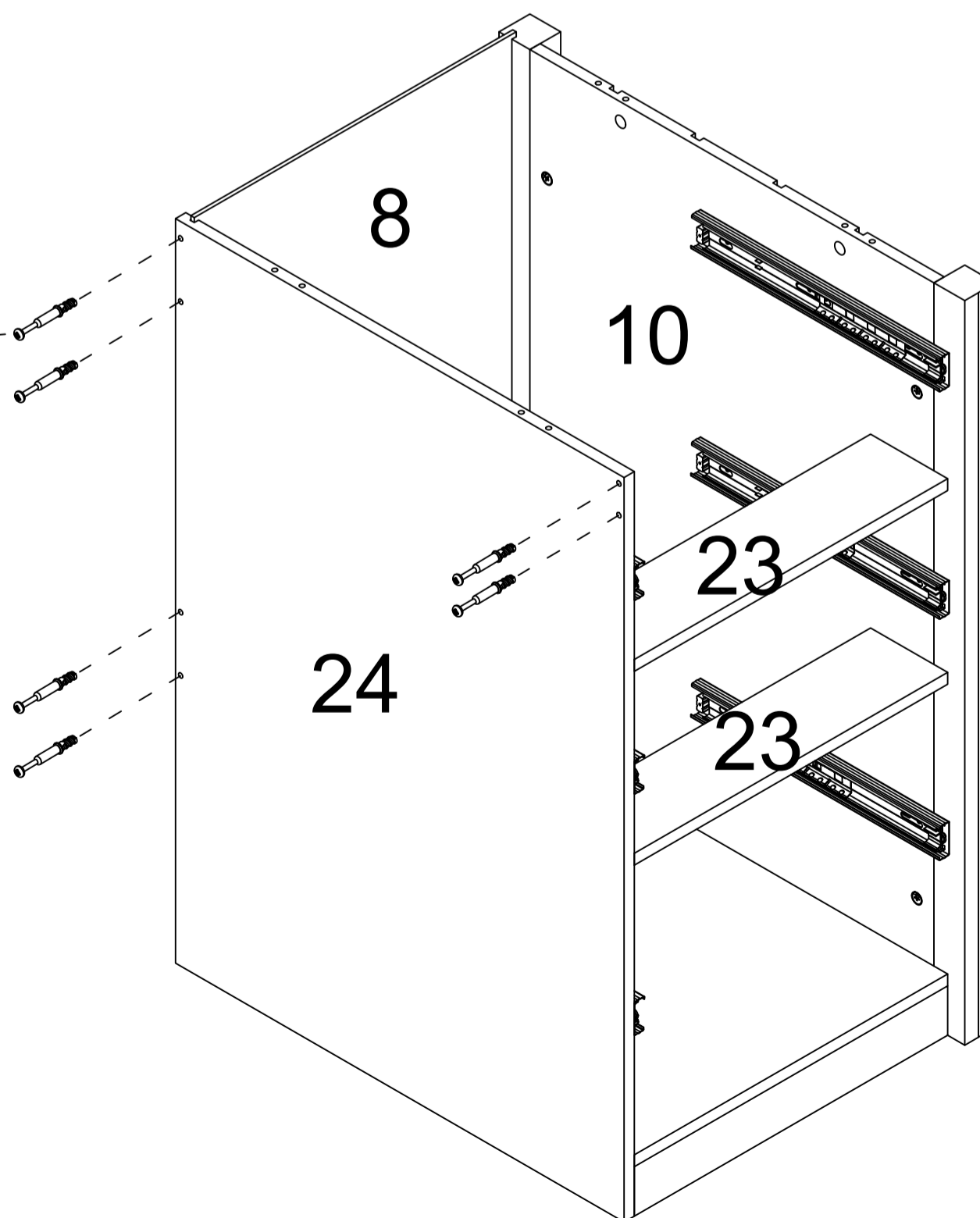
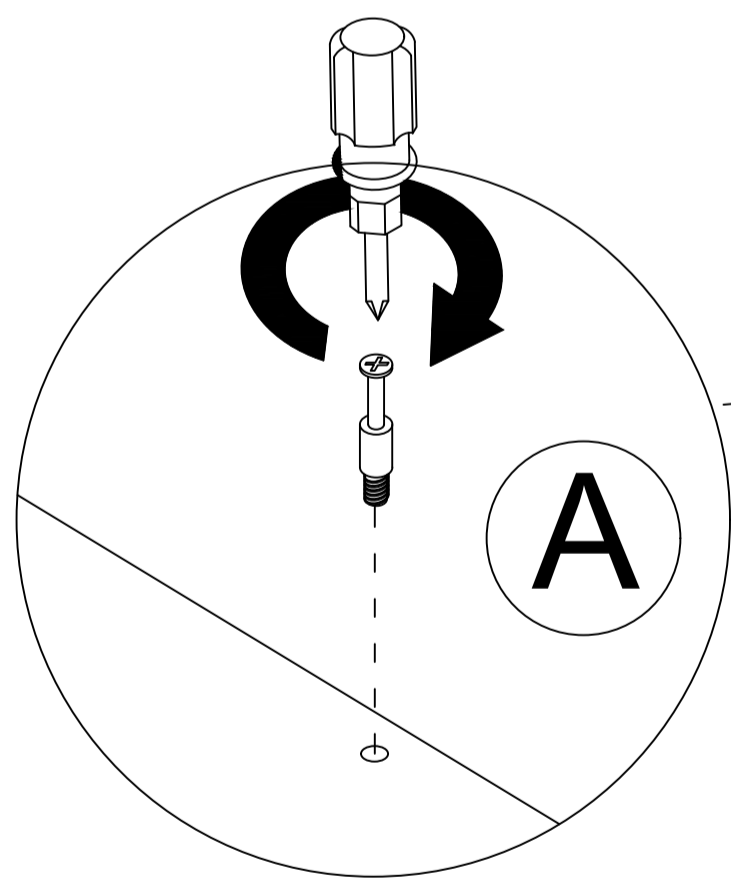
30

SY

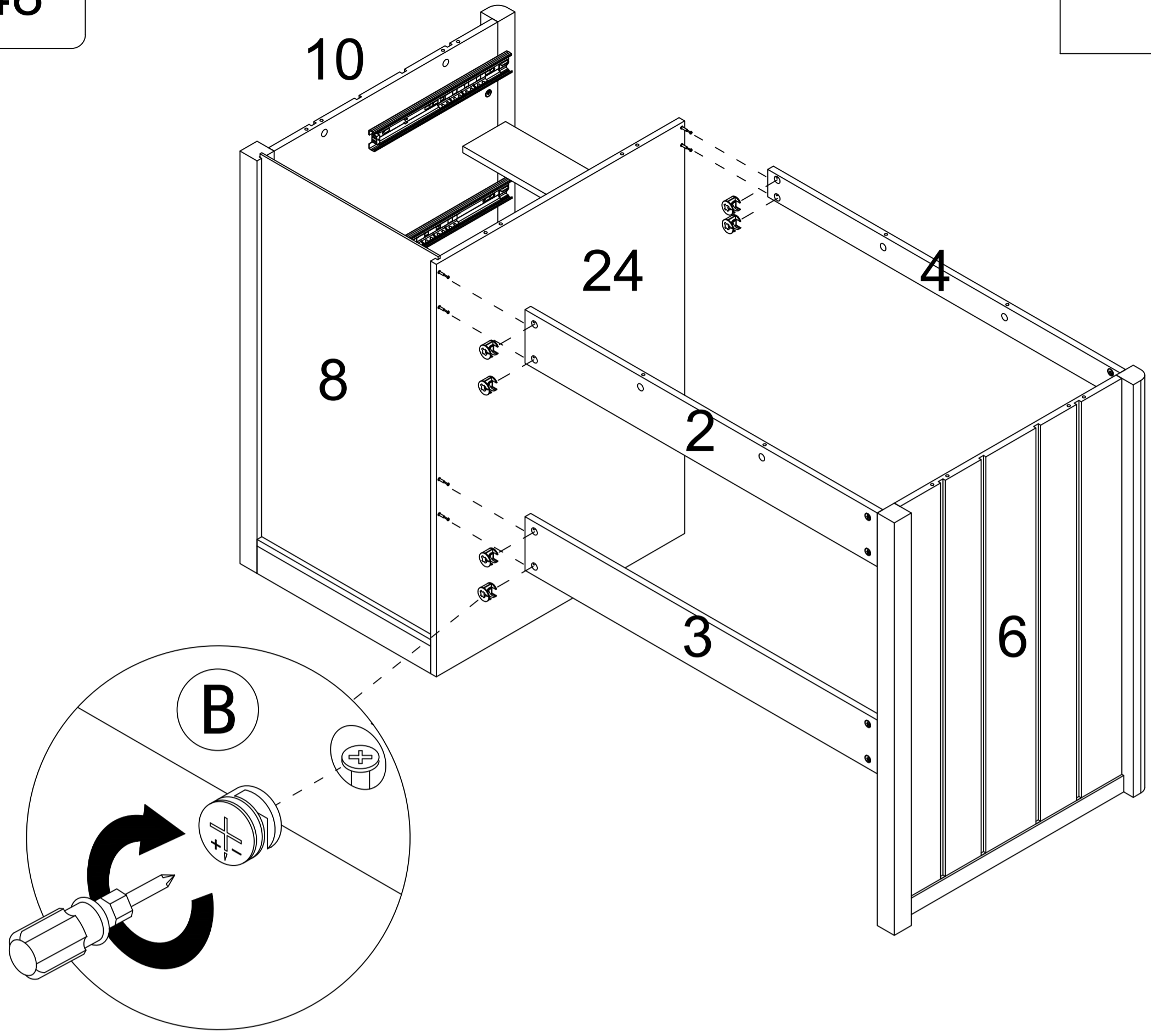
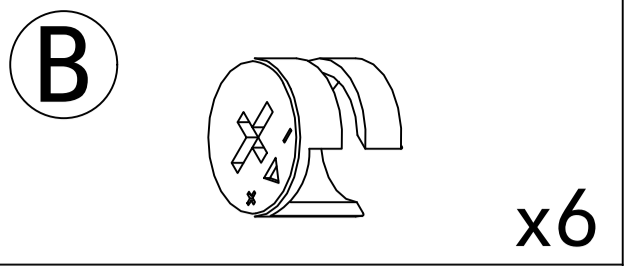
Step 46



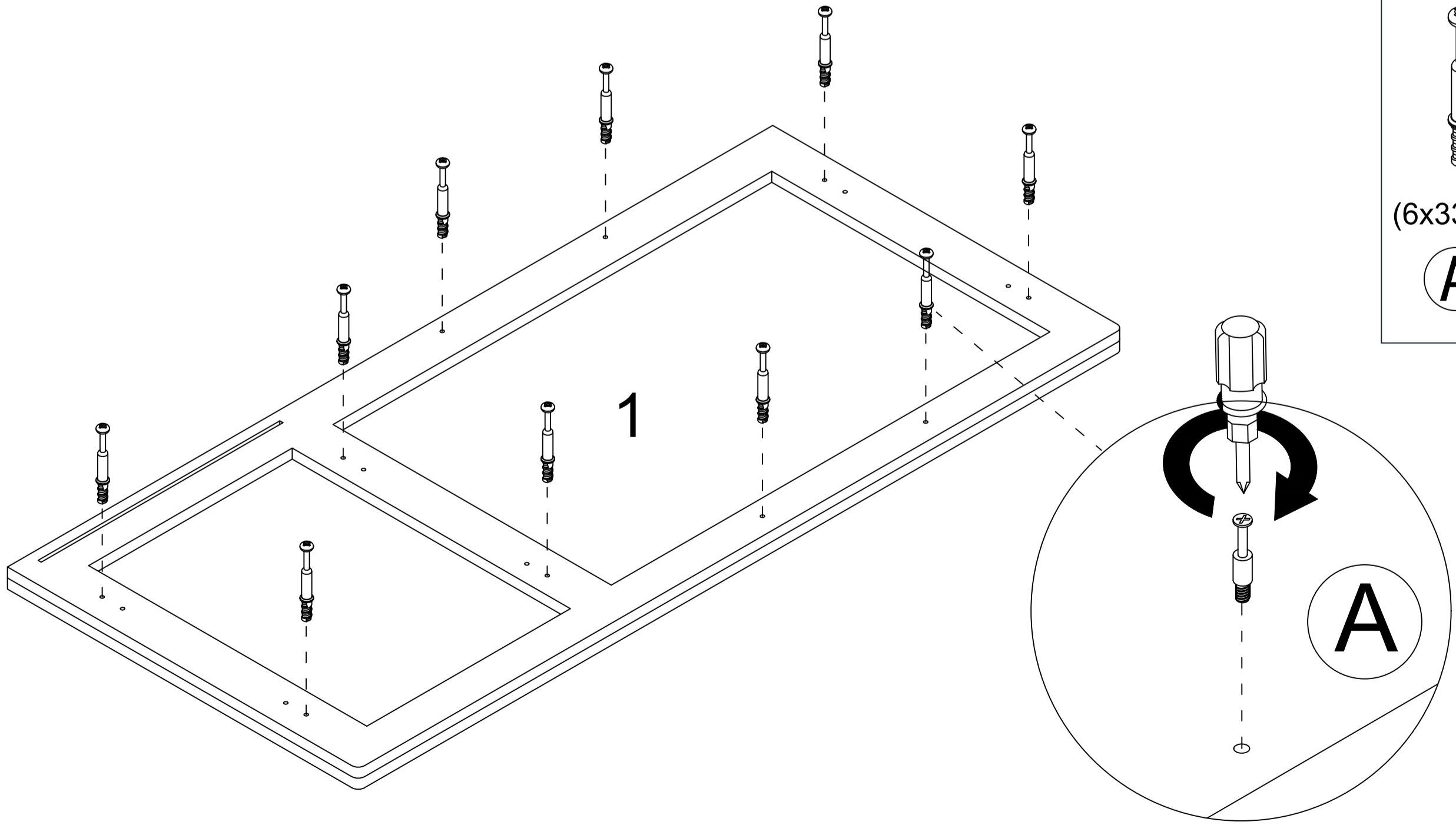
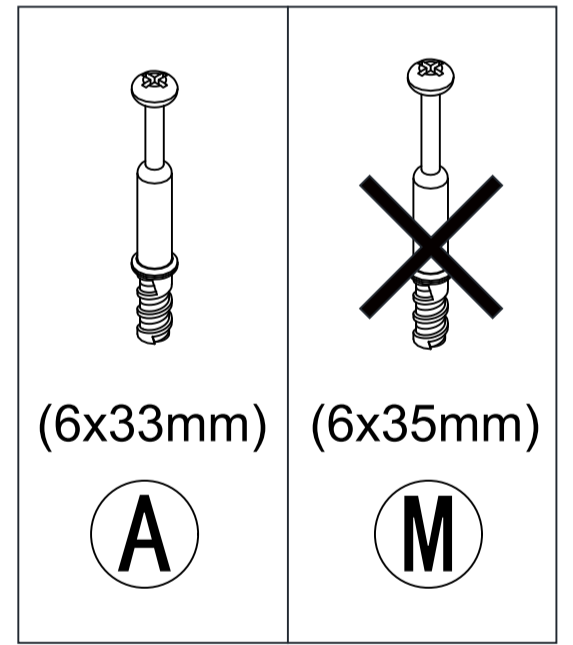
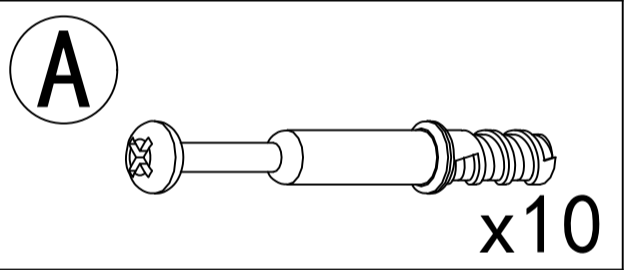
Step 47



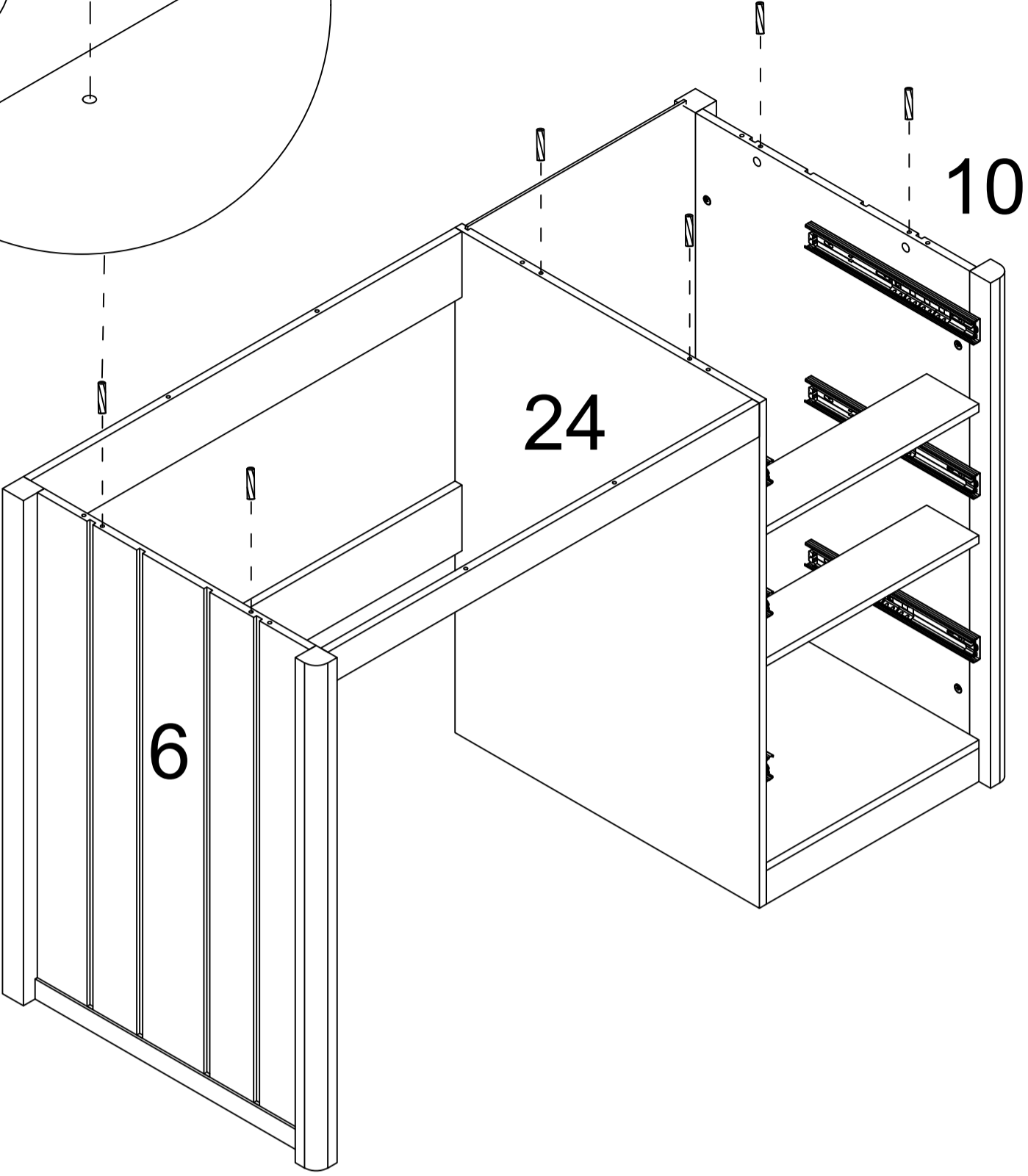
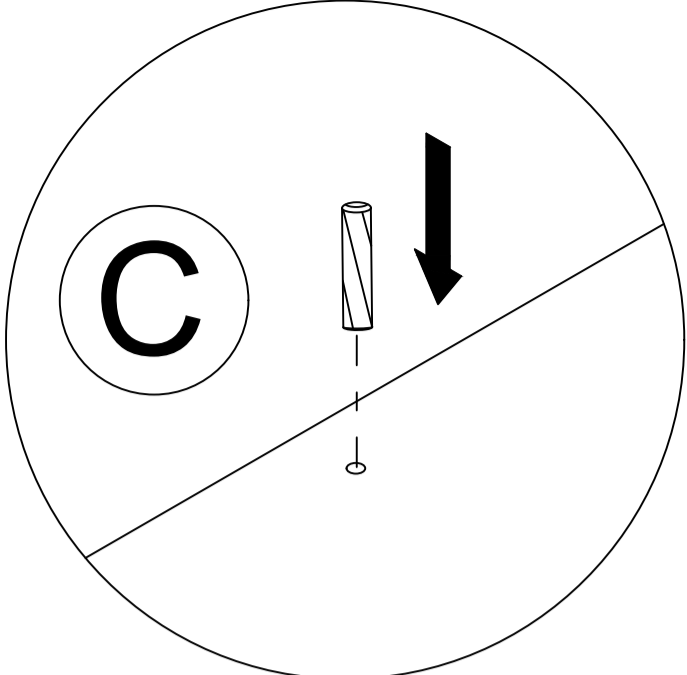
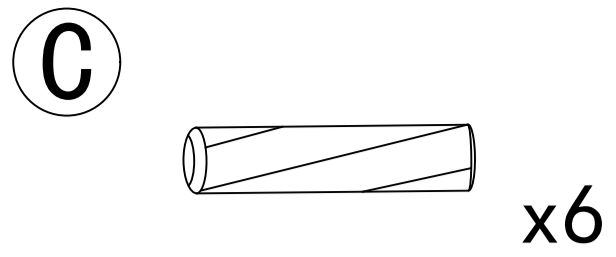
Step 48



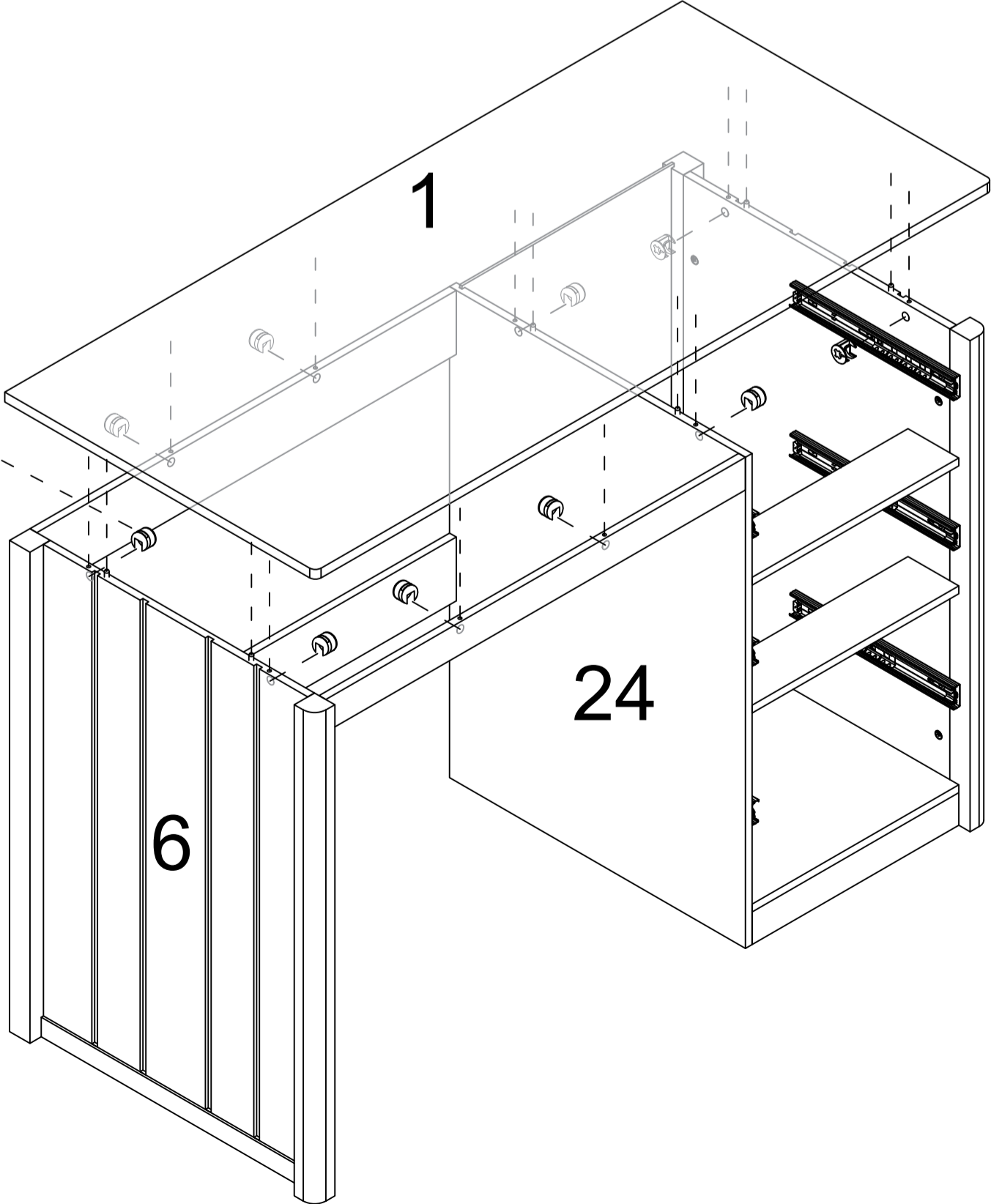
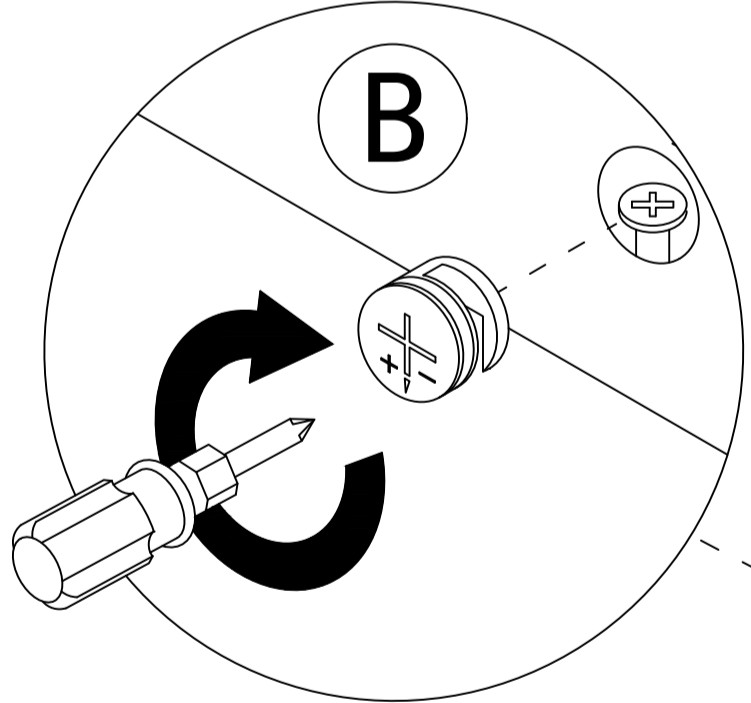
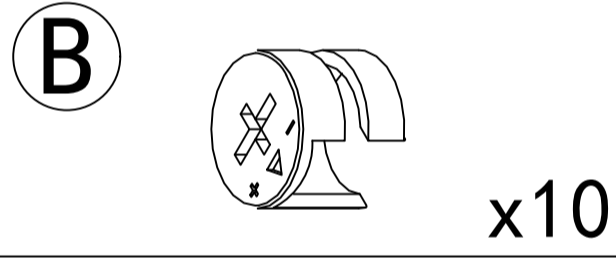
Step 49



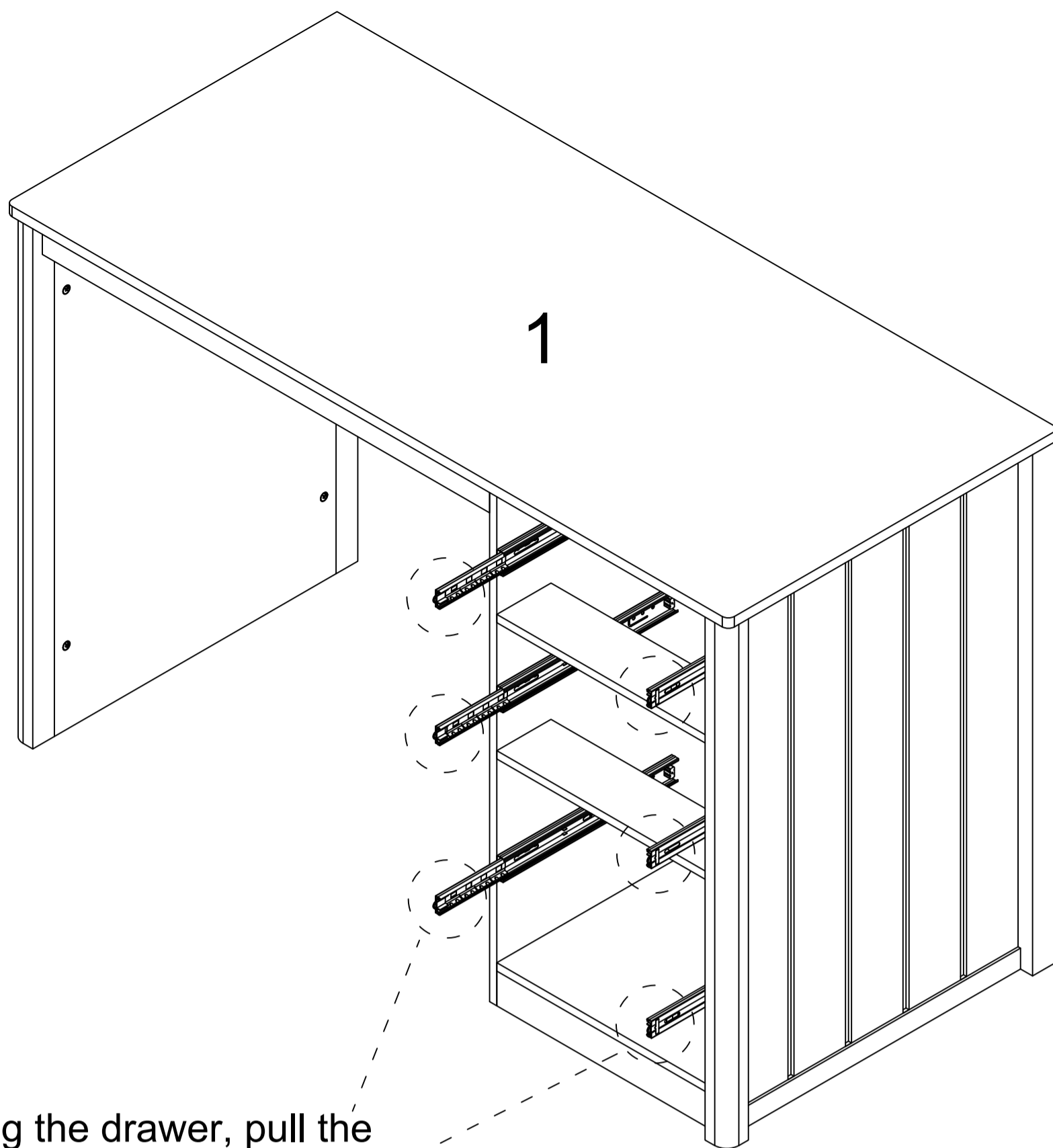
Step 50



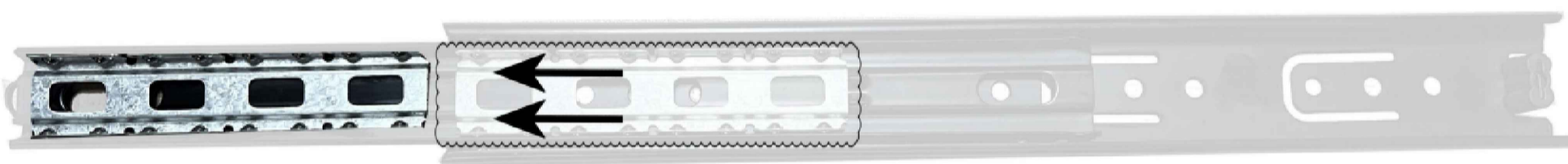
Step 51



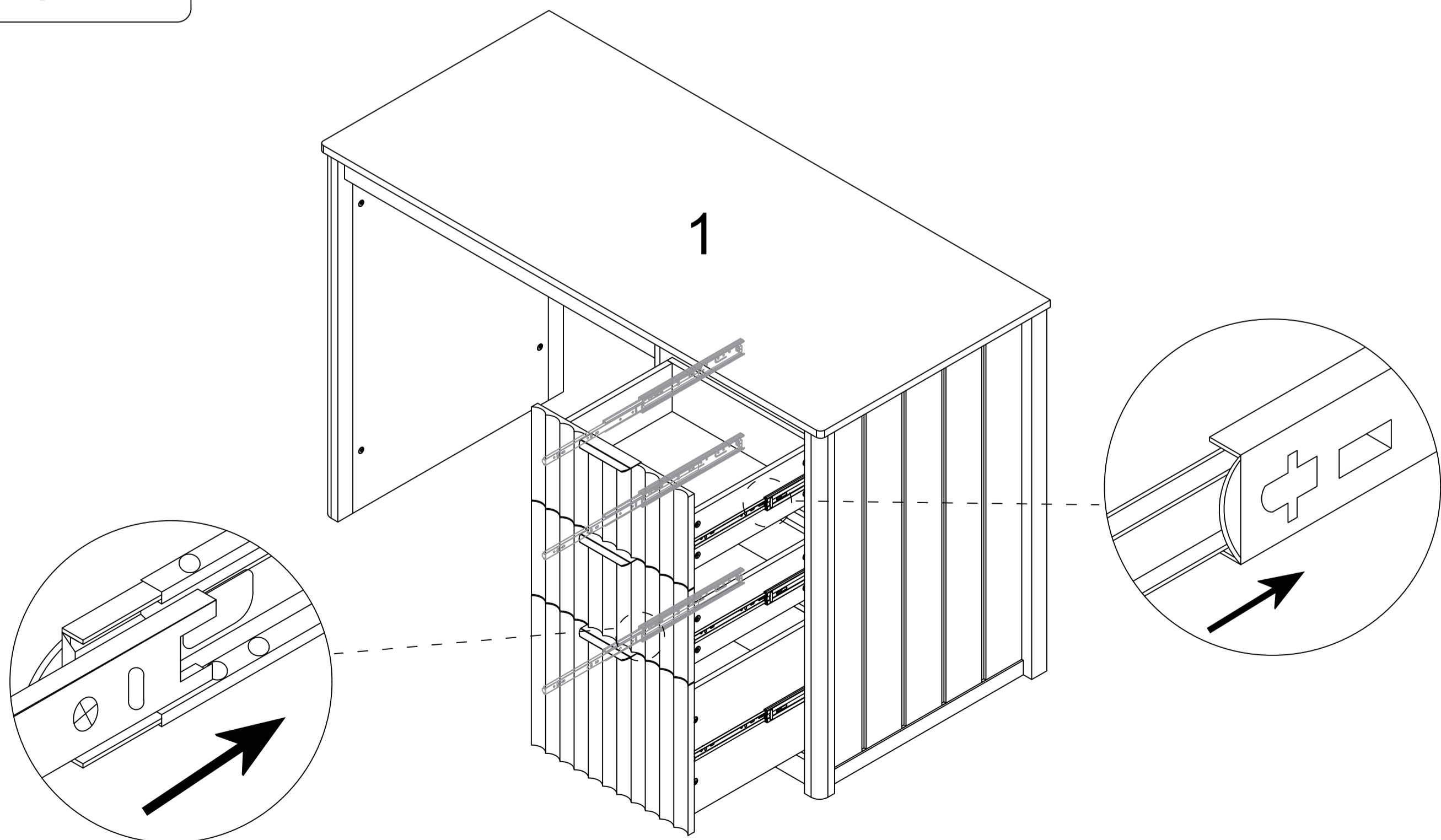
Step 52



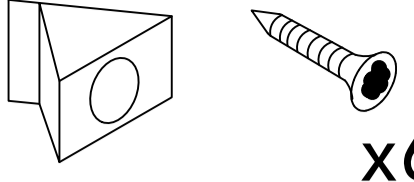
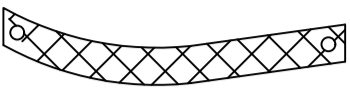
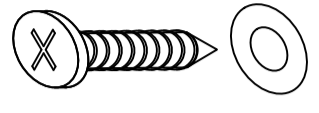
As shown, When installing the drawer, pull the guide rail out first, Slide beads are also pulled out.

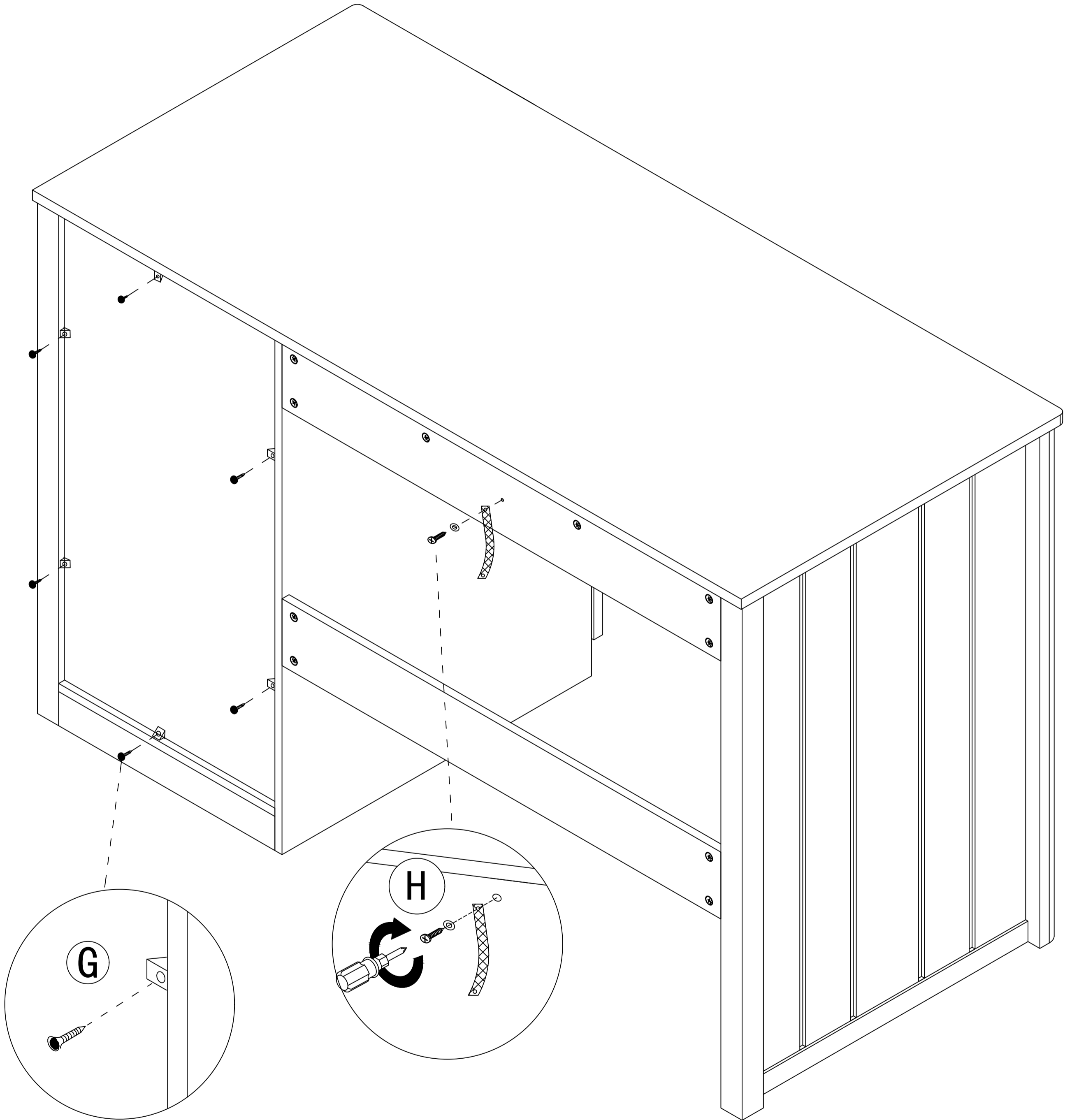


Step 53



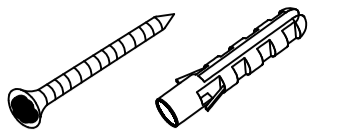
Step 54

- G**  x6
- H**  x1
-  x1



Step 55

H



x1

