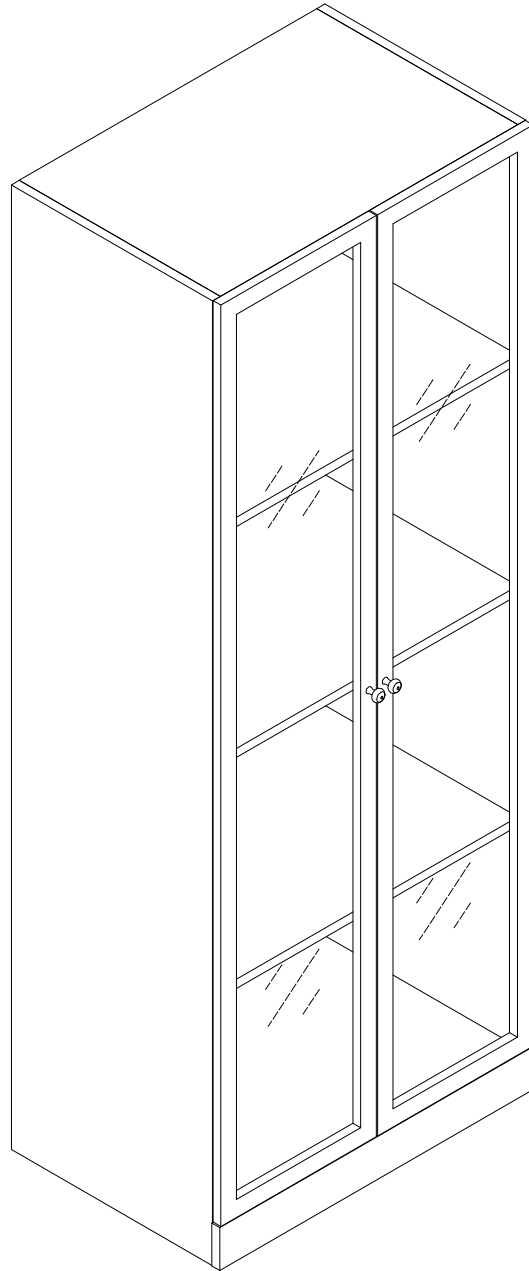
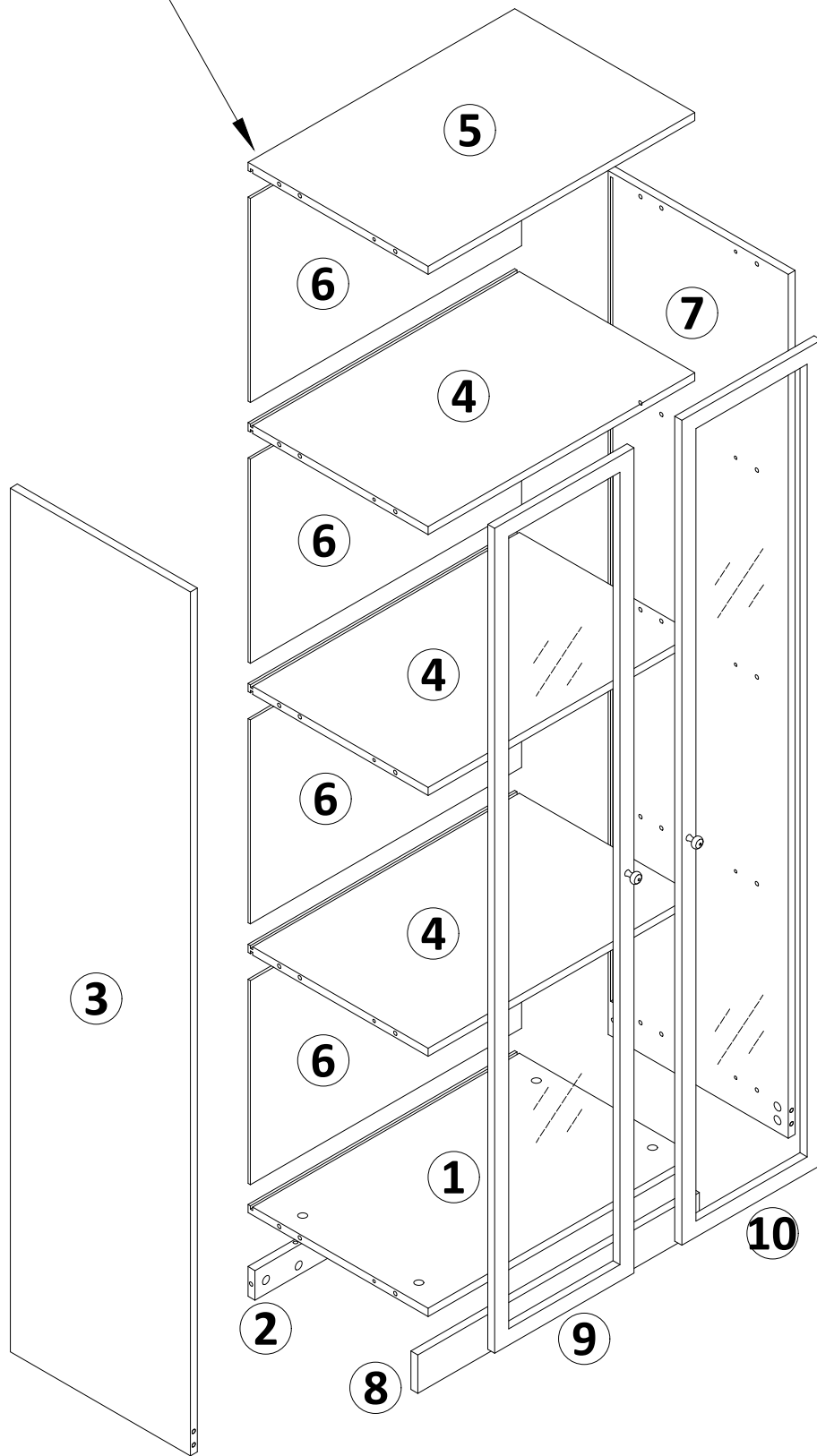


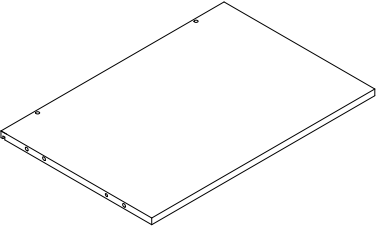
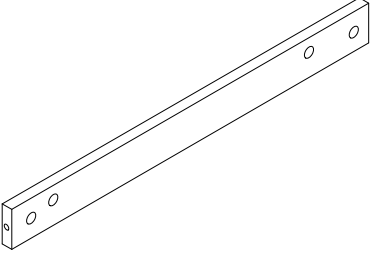
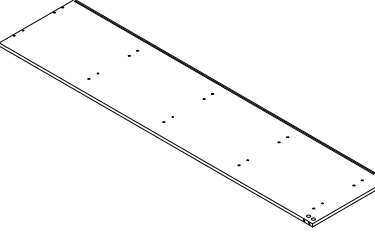
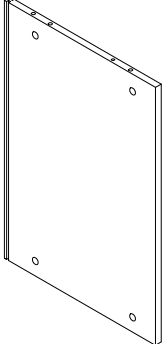
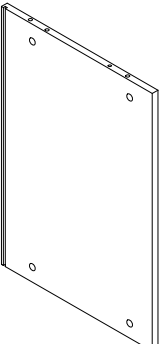
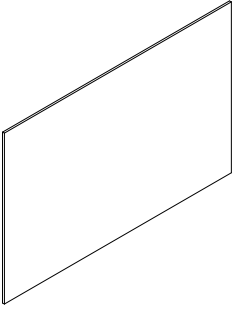
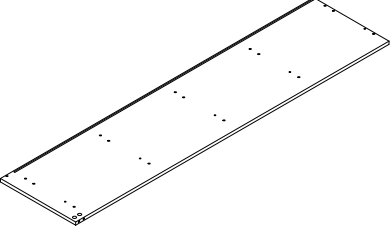

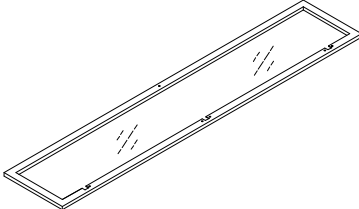
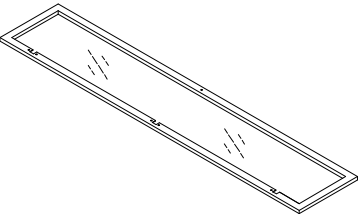
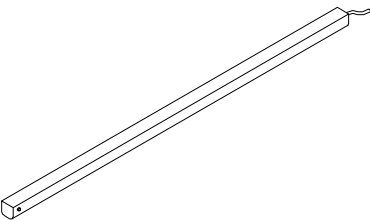
Glass Cabinet



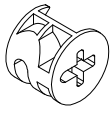
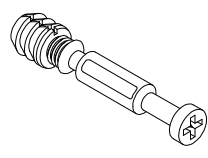
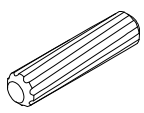
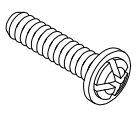

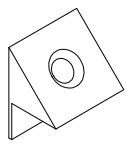
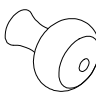
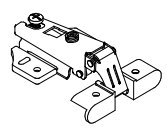
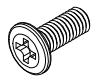

Each wooden board has a number sticker. Match them one-by-one according to the steps in the assembly manual.

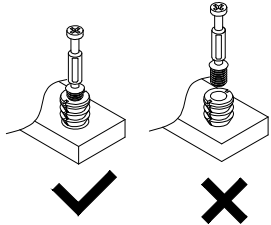
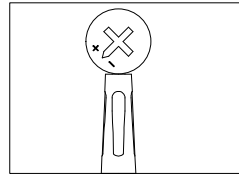
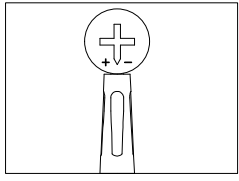


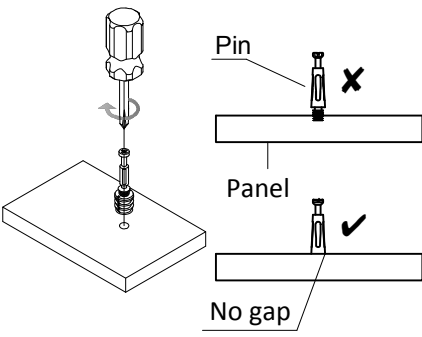
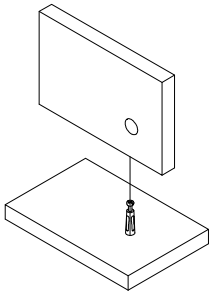
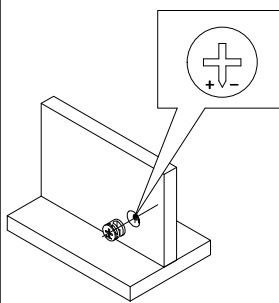
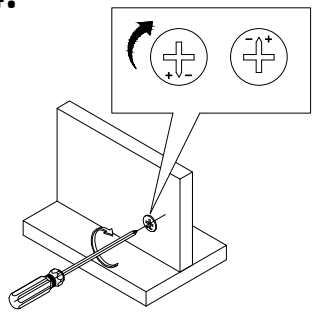
PARTS LIST

<p>1</p> 	<p>2</p> 	<p>3</p> 
<p>1PC</p>	<p>1PC</p>	<p>1PC</p>
<p>4</p> 	<p>5</p> 	<p>6</p> 
<p>3PCS</p>	<p>1PC</p>	<p>4PCS</p>
<p>7</p> 	<p>8</p> 	<p>9</p> 
<p>1PC</p>	<p>1PC</p>	<p>1PC</p>
<p>10</p> 	<p>11</p> 	<p>·The number in the upper left corner indicates the panelcode ,and the number in thelower middle indicates thequantity.</p> <p>·If you encounter any missing or damaged panels, please contact us immediately. We will prioritize resolving your issue promptly.</p>
<p>1PC</p>	<p>4PCS</p>	

HARDWARE LIST

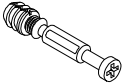
A	B	C	D	E
				
$\varnothing 15*10\text{MM}$ 28PCS	$\varnothing 6*35\text{MM}$ 28PCS	$\varnothing 8*30\text{MM}$ 20PCS	$\varnothing 4*25\text{MM}$ 2PCS	$\varnothing 3.5*14\text{MM}$ 16PCS
F	G	H	H1	H2
				
16PCS	$\varnothing 15*17\text{MM}$ 2PCS	6PCS	$\varnothing 4*6\text{MM}$ 12PCS	$\varnothing 3.5*16\text{MM}$ 24PCS

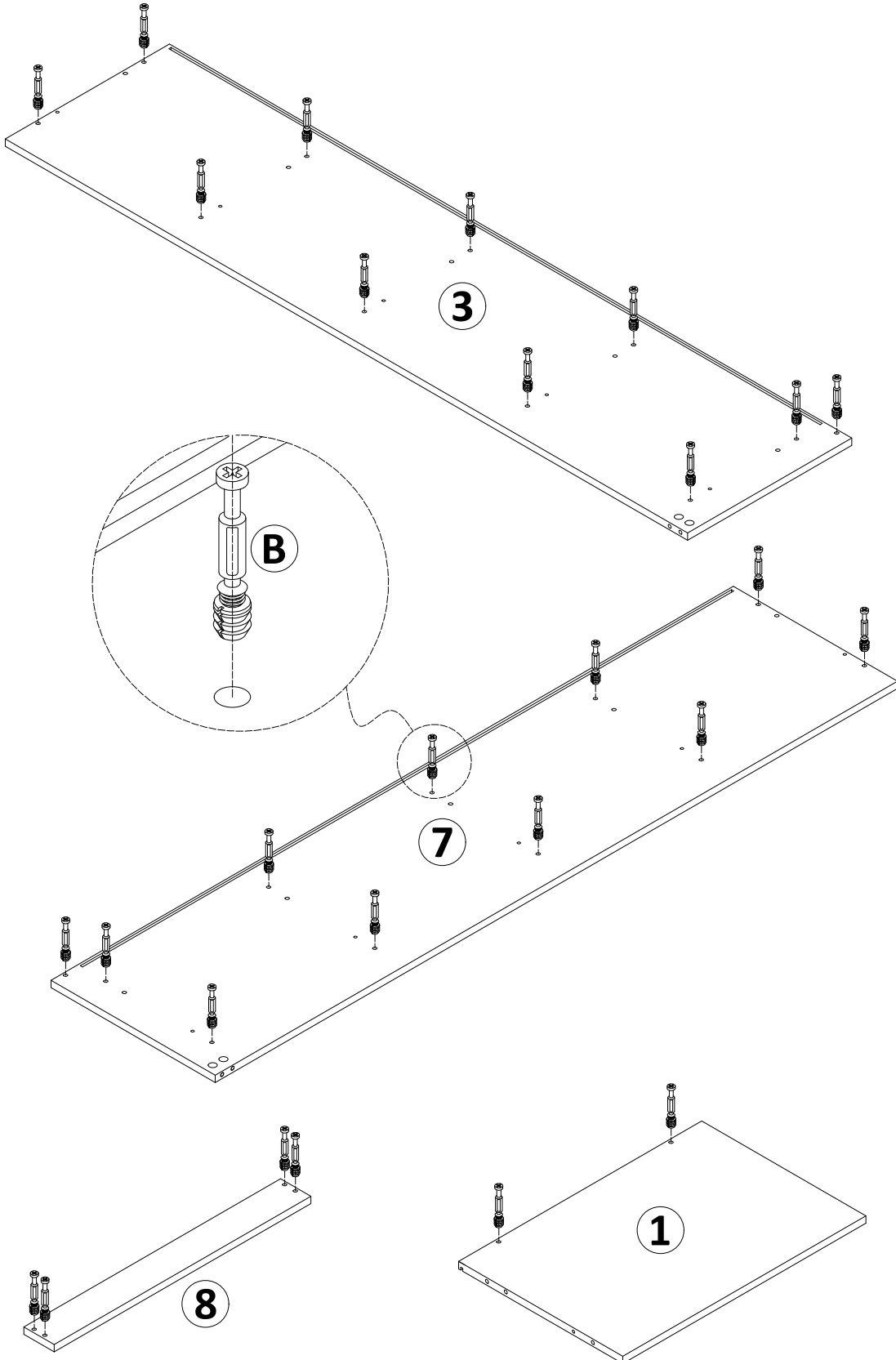
 <p style="text-align: center;">This part cannot be separated, please install in strict accordance with the assembly requirements.</p>	 <p style="text-align: center;">Adjust connecting piece direction until it is properly lined up with the hole.</p>	 <p style="text-align: center;">Insert bolt when connecting piece direction is properly lined up.</p>
---	---	--

<p>1.</p> 	<p>2.</p> 	<p>3.</p> 	<p>4.</p> 
---	--	---	--

Step 1


As shown in the diagram, locate Panels 1, 3, 7 and 8 . Install the #B (connector bolt) into the corresponding holes.

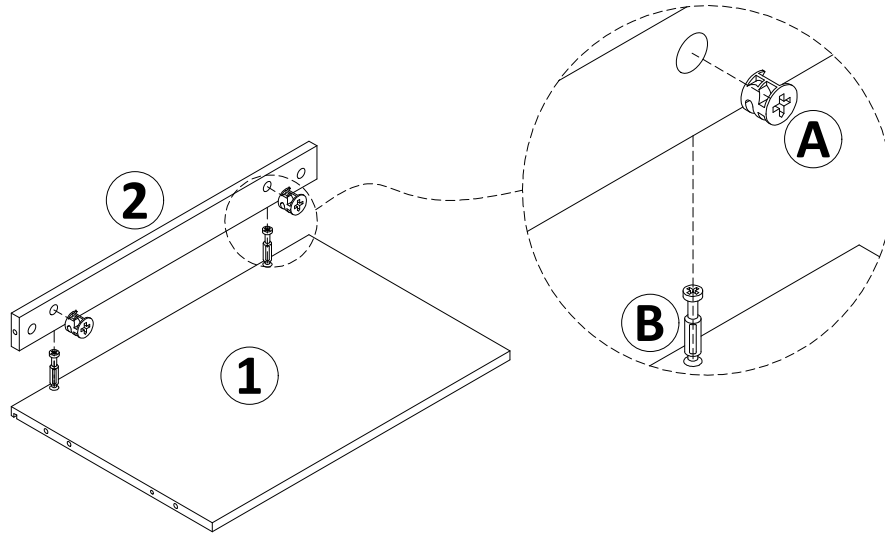
B  **X28**



Step 2


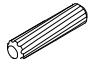
Insert Panel 2 into Panel 1 and screw in #A (eccentric cam locks).

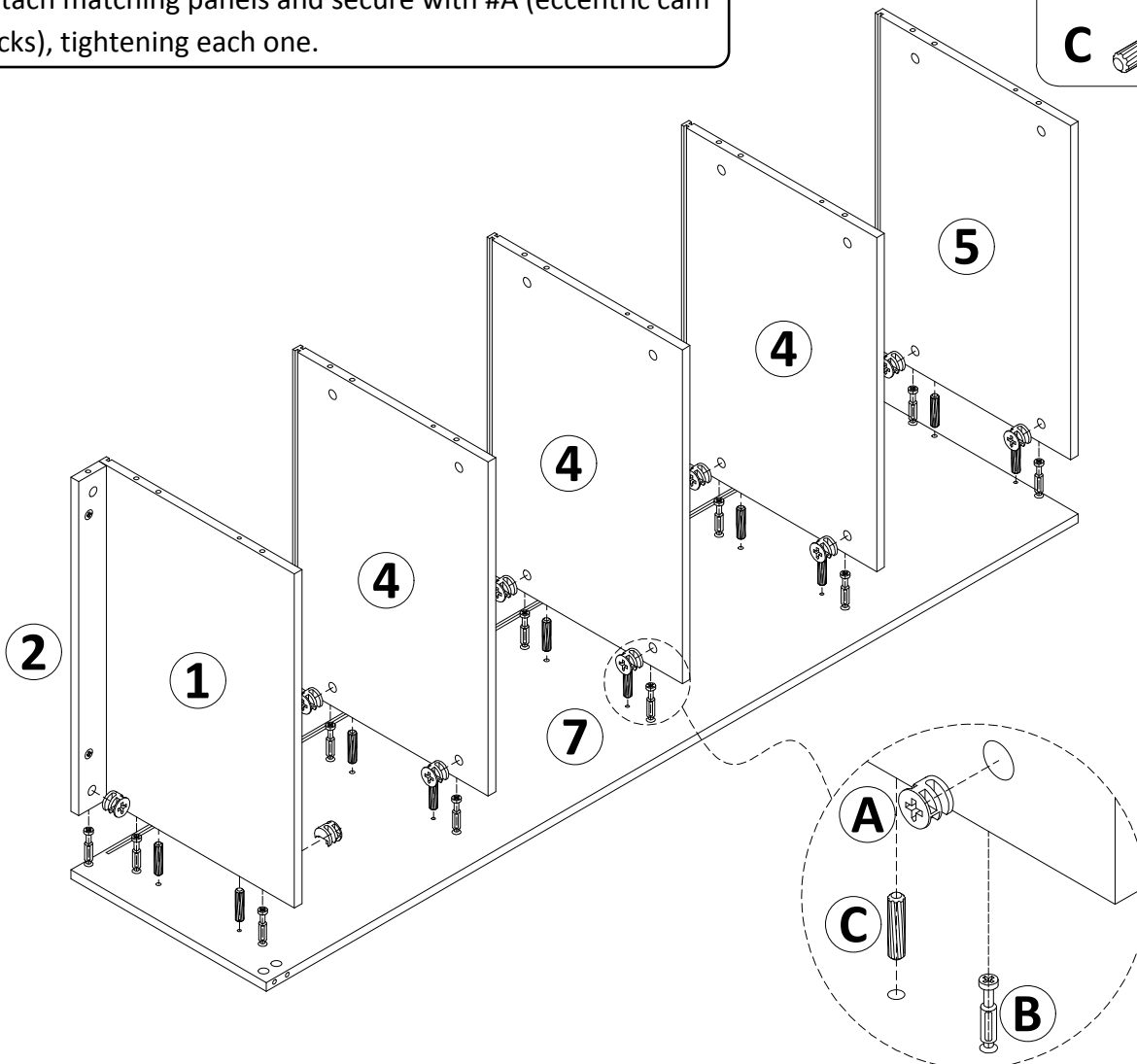
A  **X2**



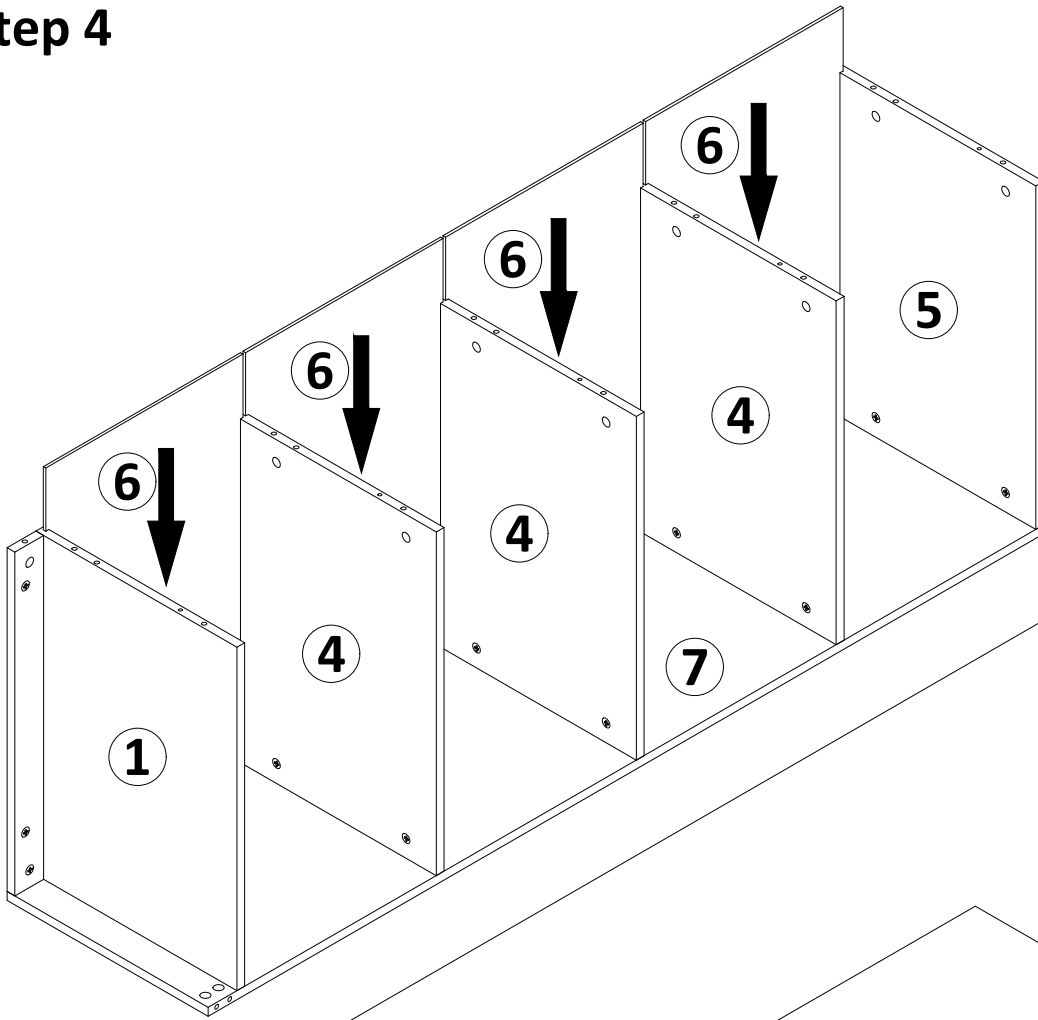
Step 3


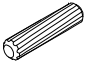
Insert #C (wood dowel pins) into Panel 7's holes, then attach matching panels and secure with #A (eccentric cam locks), tightening each one.

A  **X11**
C  **X10**

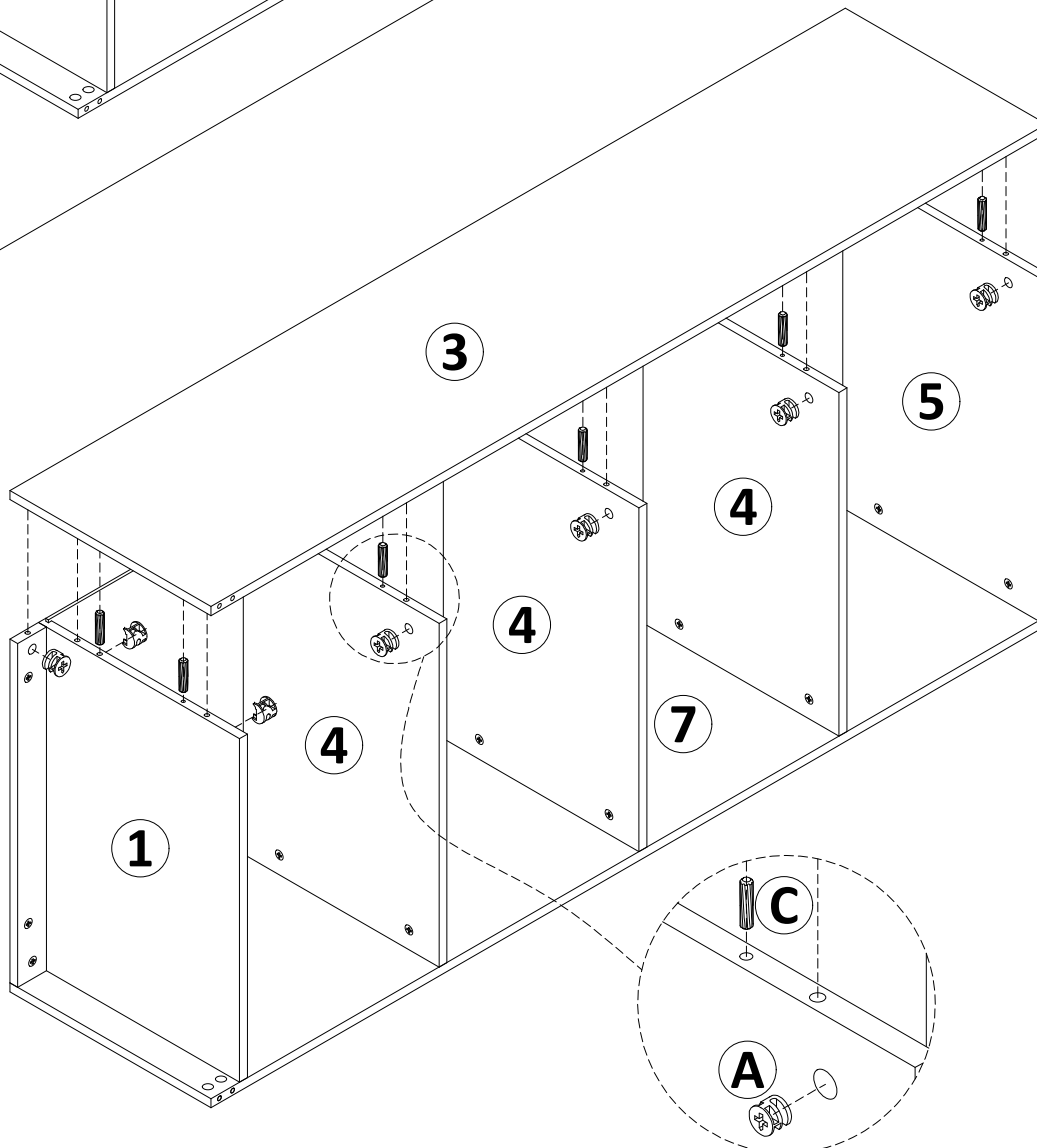


Step 4




- A**  **X11**
- C**  **X10**

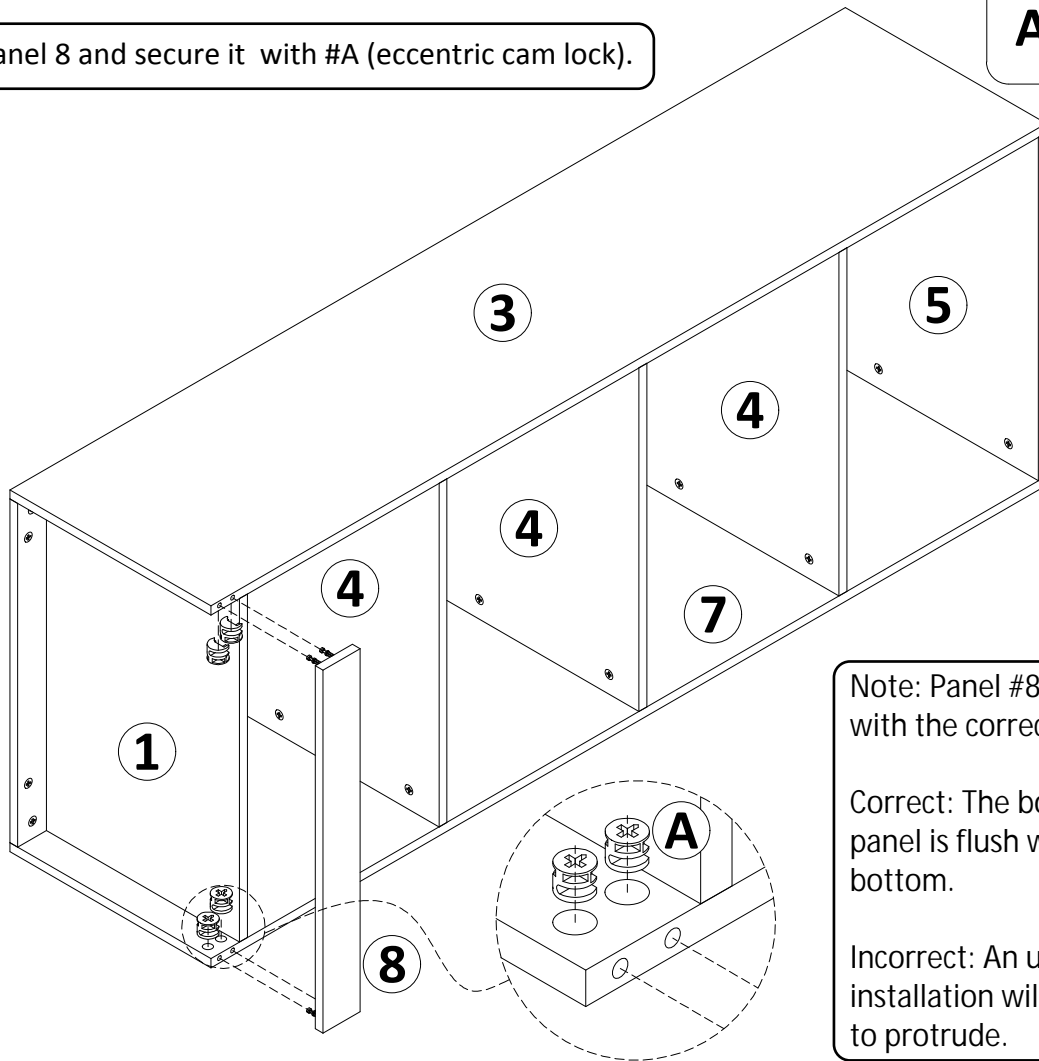
Step 5



Step 6

Install Panel 8 and secure it with #A (eccentric cam lock).

A  **X4**



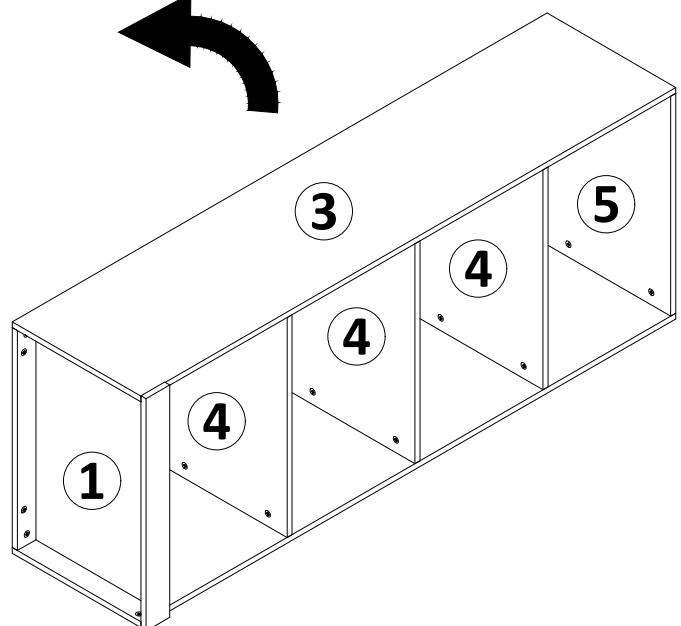
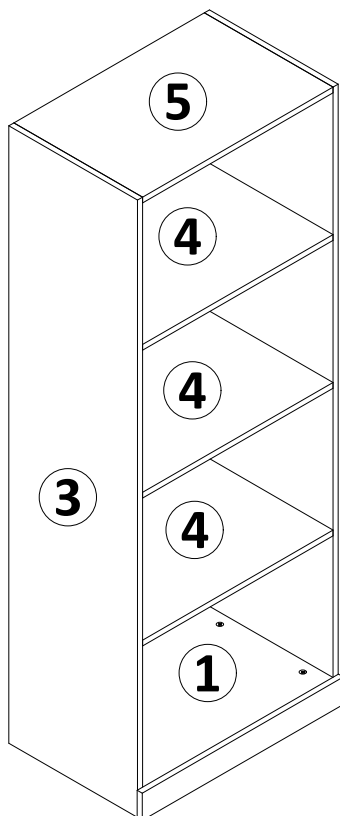
Note: Panel #8 must be installed with the correct side up.

Correct: The bottom edge of the panel is flush with the cabinet bottom.

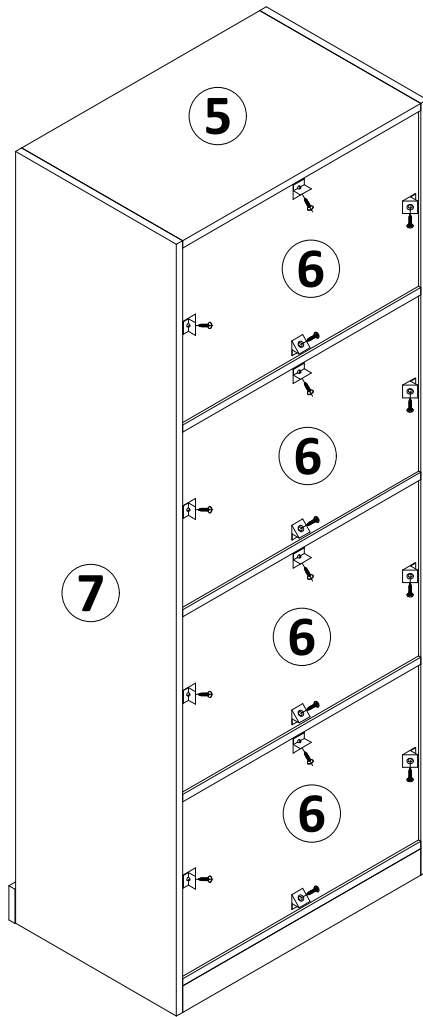
Incorrect: An upside-down installation will cause the panel to protrude.

Step 7

Please turn this cabinet over.



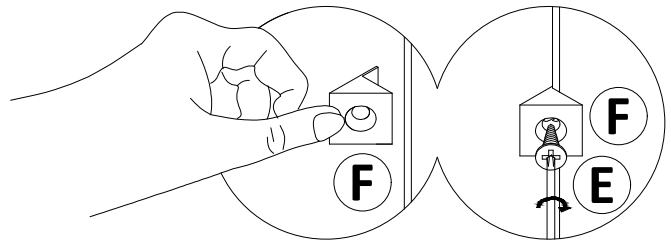
Step 8



E  **X16**

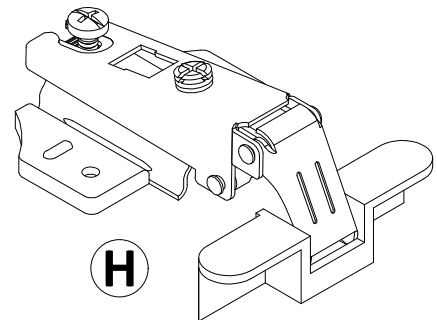
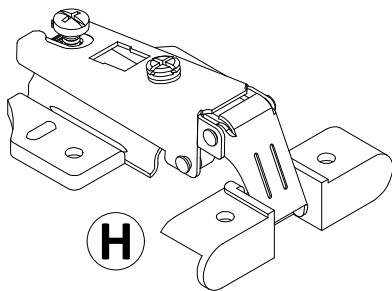
F  **X16**

As illustrated secure Panel 6 by installing #F (backplate bracket) at all 4 marked positions with #E(screws).



Step 9

Door Hinge Deformation Instruction

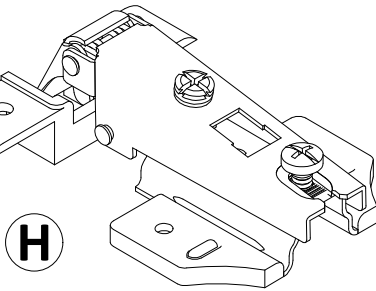


Before installing the door hinge, you need to take a small step to help the door hinge fit better into the door frame slot.

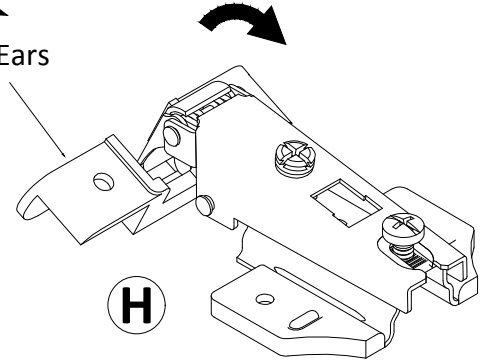
Step 10

1. Original Shape

Metal Ears

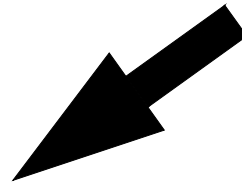
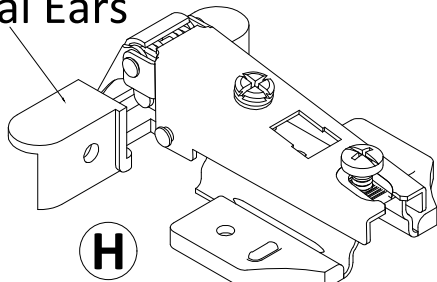


Metal Ears



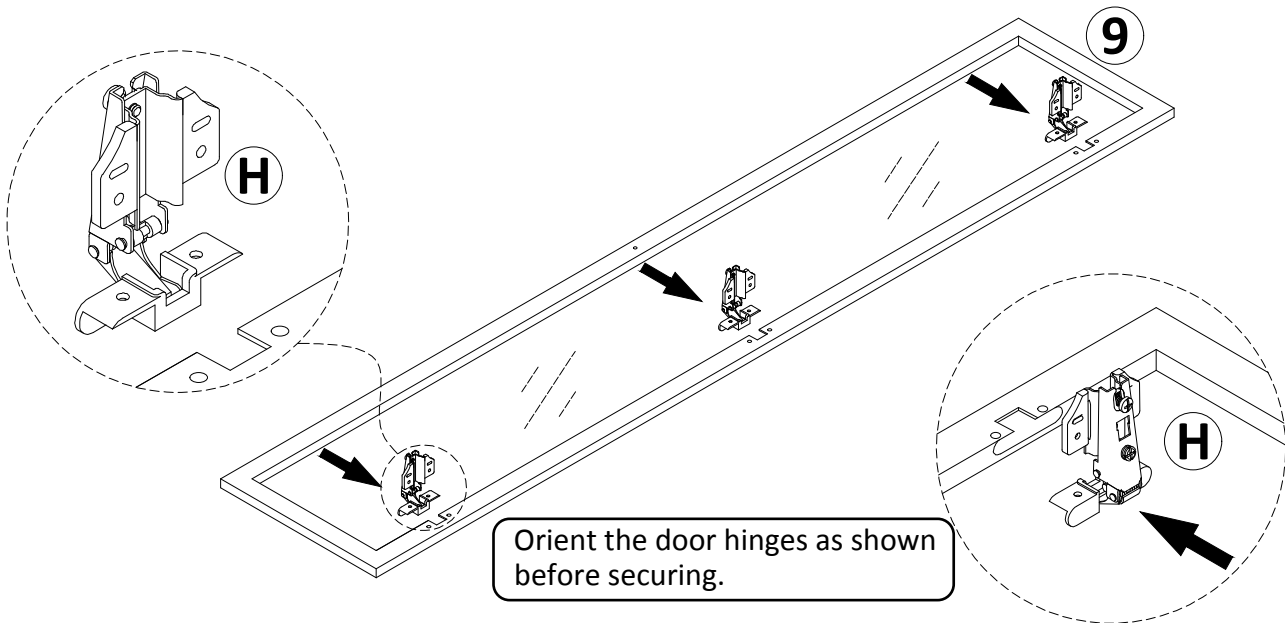
2. Pull the metal ears back with your hands, and the door hinge will automatically deform.

Metal Ears



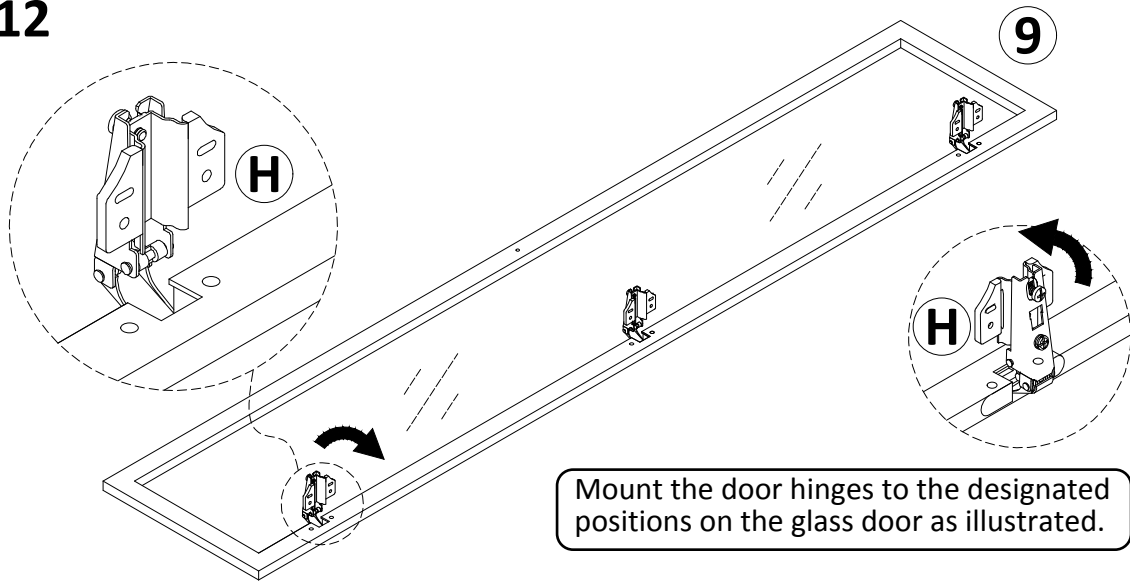
3. Complete the transformation.

Step 11

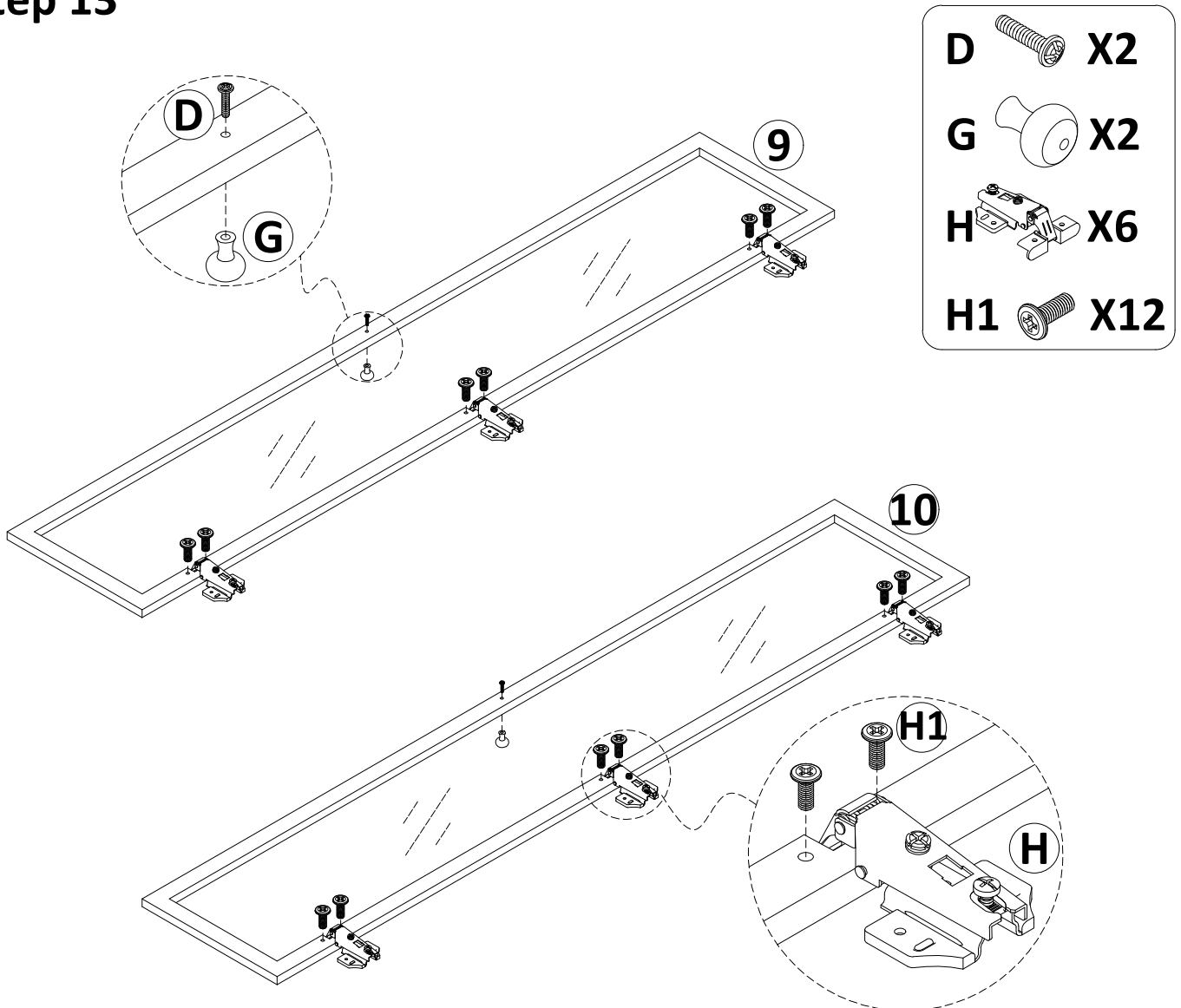


Orient the door hinges as shown before securing.

Step 12



Step 13

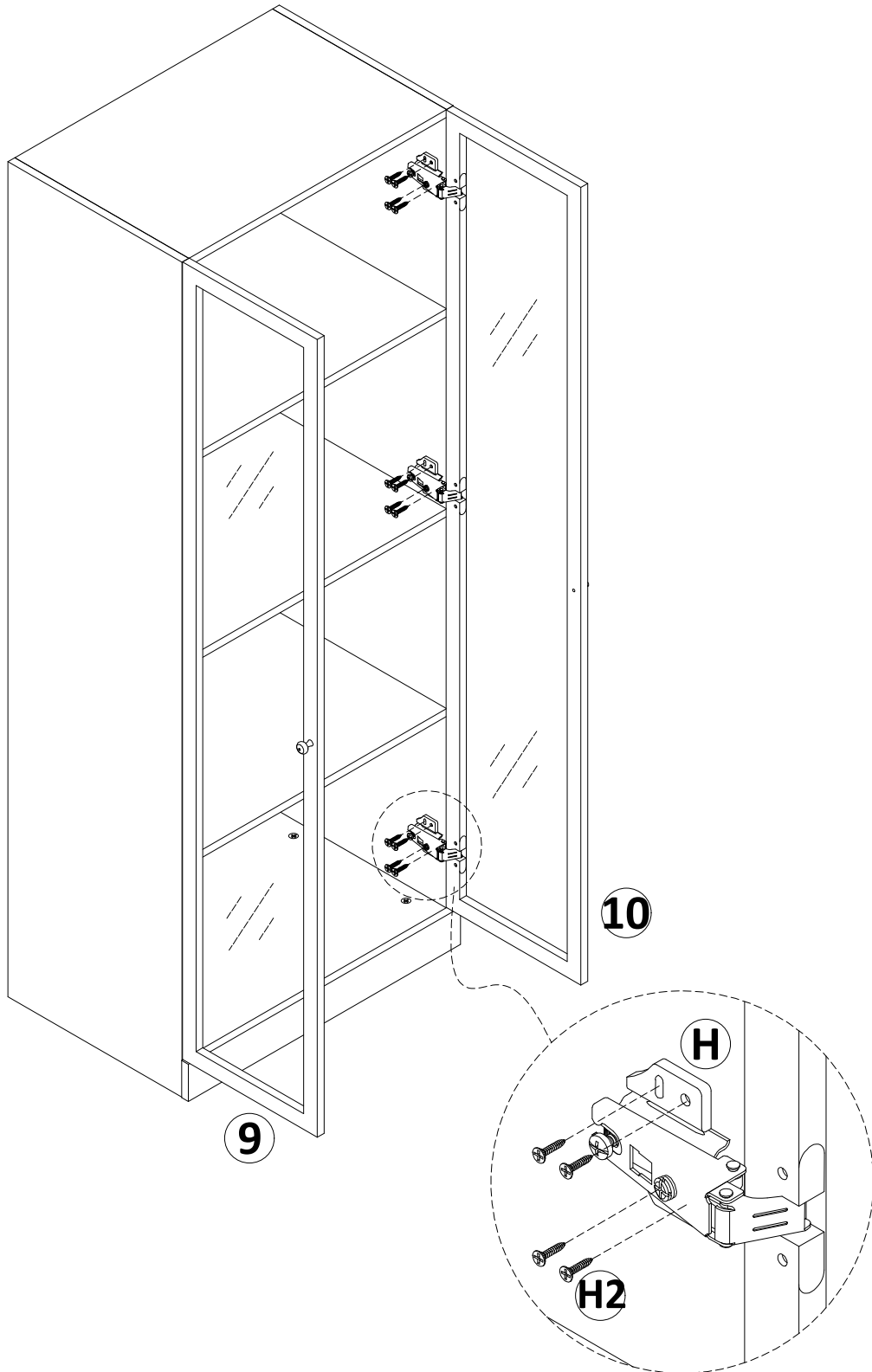


Use the H1 screws (provided with the door hinge) to attach the hinge to the designated position on the glass door. Then, use the #D (screws) to install the G (door handle) onto the door.

Step 14

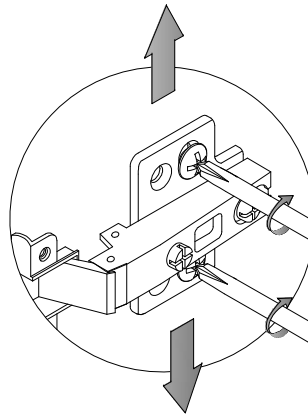
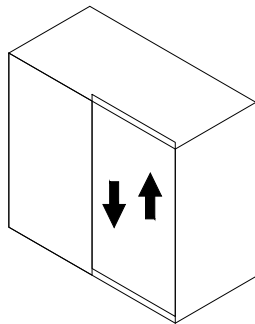
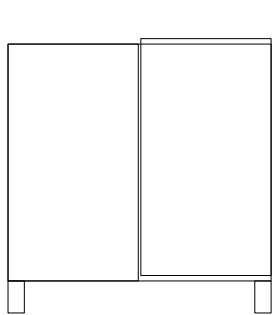
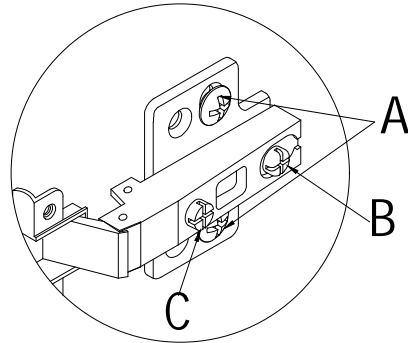
Using #H2 (screws) attach the glass door with installed hinges to the cabinet body.

H2  **X24**



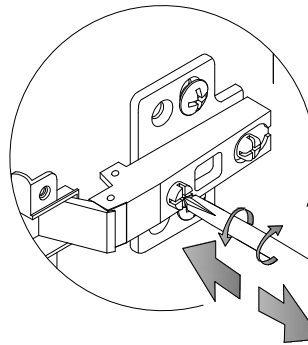
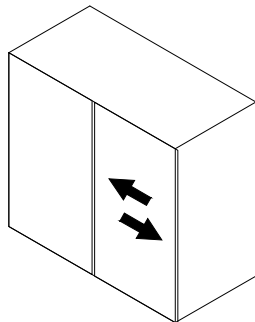
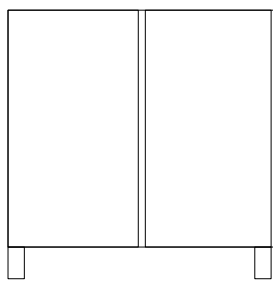
Step 15

Hinge Adjustment Diagram



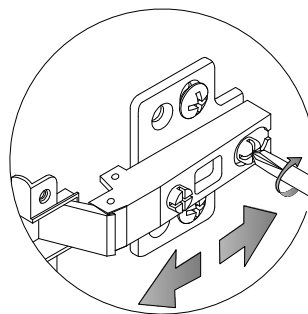
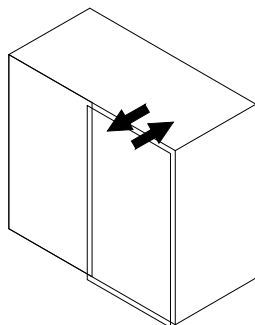
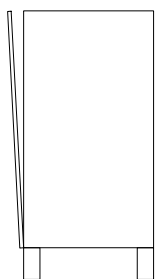
To adjust the vertical height.

Loosen the four screws labeled 'A' on both hinges, Two of these screws are usually in slotted holes, allowing for adjustment up or down by a few mm. After making the adjustment, tighten the screws back into place.



To adjust depth.

Loosen screw 'B' and adjust the door. If the door cannot be adjusted, loosen screw 'C' and try adjusting again. Once adjusted, tighten screws 'B' and 'C'.

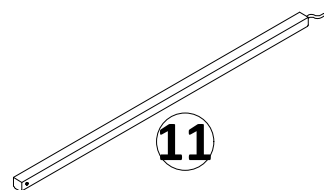
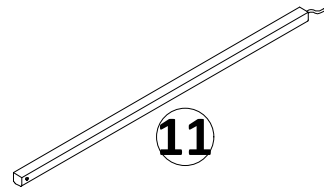
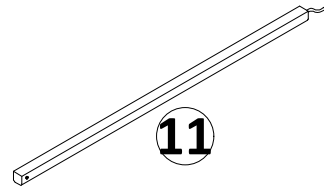
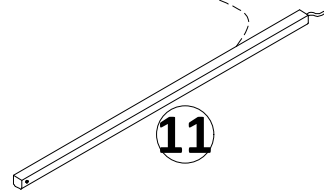
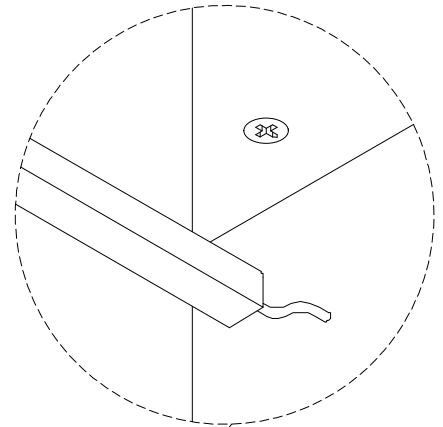
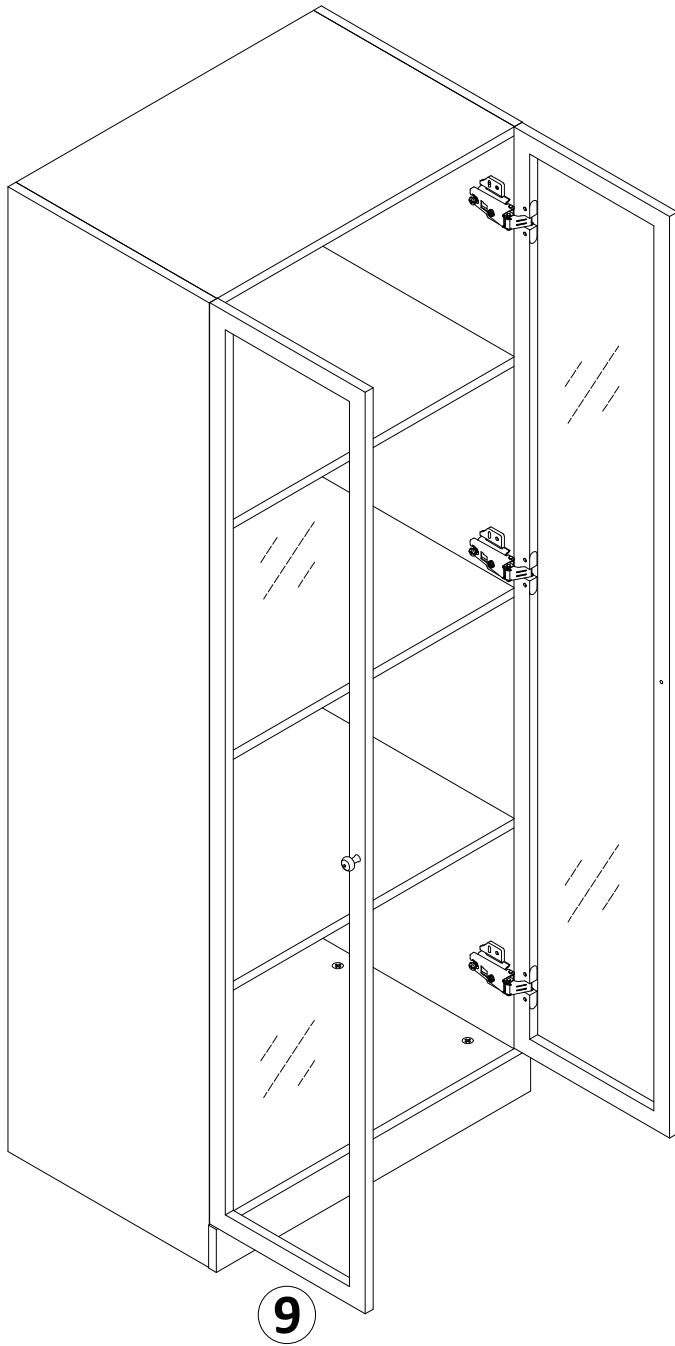


To adjust side ways.

After loosening the C screw, you can adjust the distance from the door to the cabinet. After the adjustment is completed, tighten the C screw again.

Step 16

Install LED light bars into all 4 shelves of the glass cabinet.



10

9

11

11

11

11

Assembly Completed

