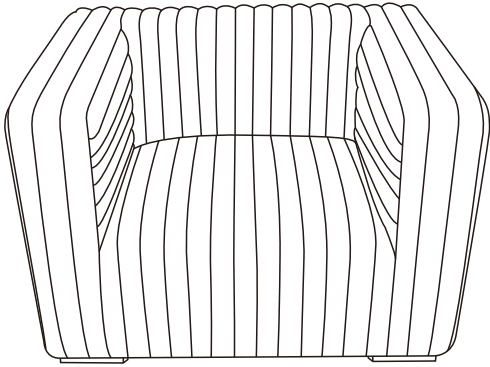


ASSEMBLY INSTRUCTION



+ Do Not Use Power Tools



+ Suggested Adults



NOTE: For questions about parts or assembly please call us

- 1 Read instructions cover to cover.
- 2 Save all packaging until assembly is completed.

1 IMPORTANT SAFETY INFORMATION

Do not assemble the product if any of the following parts arrived damaged:

- Part # - Chair Base
- Part # - Chrome Front Leg
- Part # - Gold Front Leg
- Part # - Chrome Back Leg
- Part # - Gold Back Leg
- Part # - Foot Pad

Do not assemble if any of the following

Hardware parts missing:

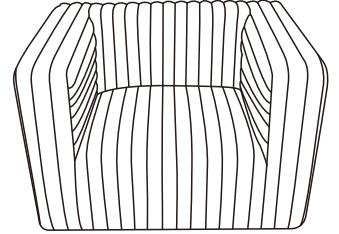
- Part # - Allen Wrench
- Part # - Bolt

2 IMPORTANT ASSEMBLY INFORMATION

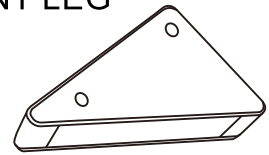
Assembly Step If loosening persists, please make sure to tighten all the bolts periodically, or use a thread locker adhesive.

+ Parts Included

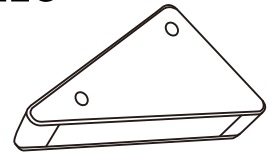
- ① CHAIR BASE
1PC



- ② CHROME FRONT LEG
2PCS



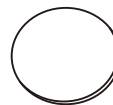
- ③ GOLD FRONT LEG
2PCS



- ④ CHROME BACK LEG ⑤ GOLD BACK LEG
2PCS 2PCS



- ⑥ FOOT PAD
8PCS



+ Hardware Included

- A ALLEN WRENCH**
Ø5/16 *66MM 1PC

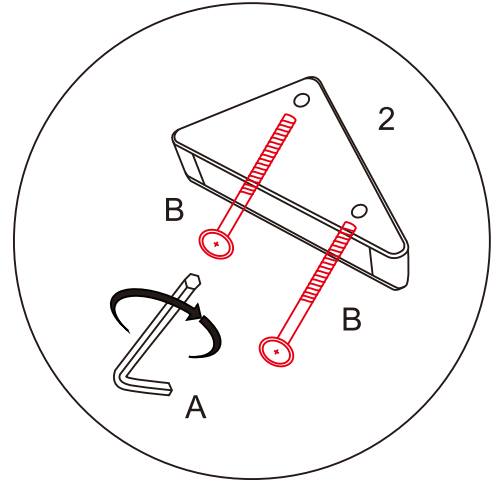
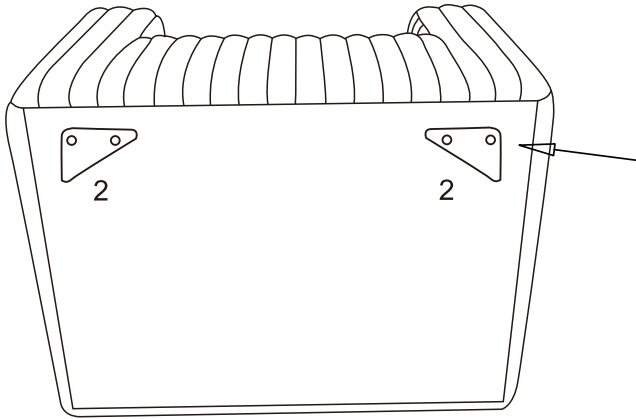


- B BOLT**
M6*70MM 8PCS

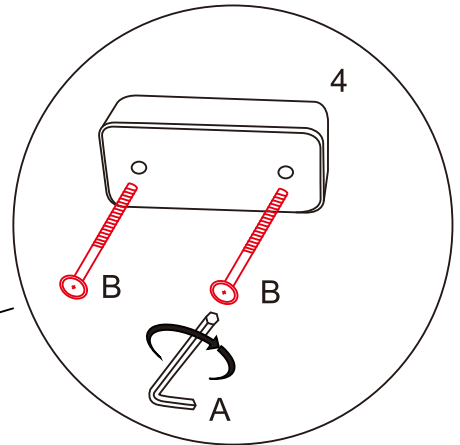
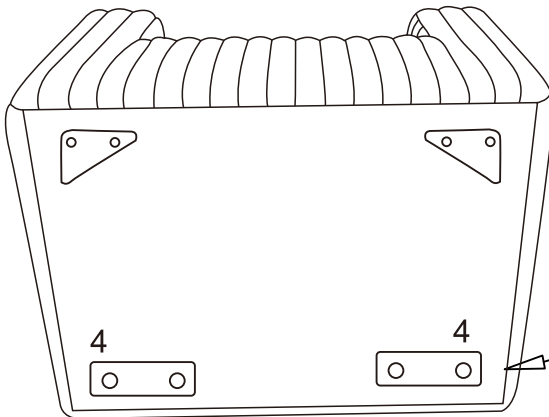


ASSEMBLY INSTRUCTION

1



2



3

