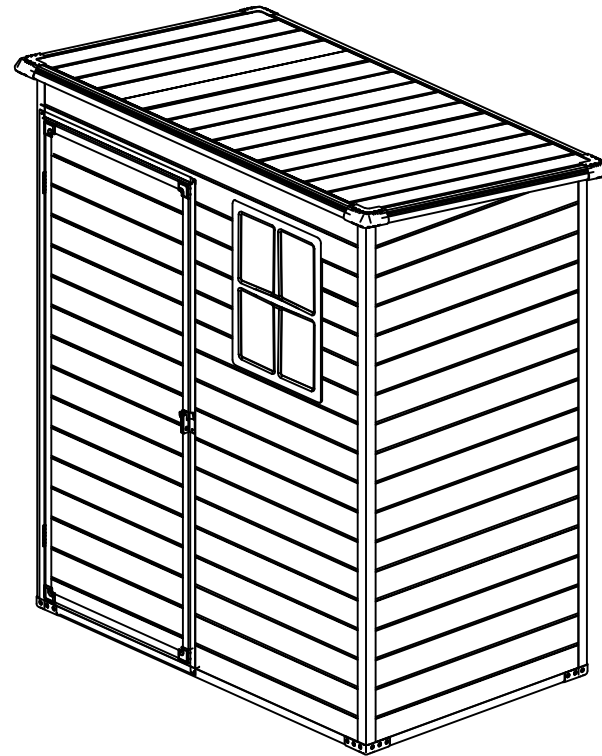


Resin Garden Shed

OWNER'S MANUAL
Instructions for Assembly



CC72

Requires two people and take 3-4 hours for installation.
Quick & Easy assembly. Ridge Reinforced Walls.
Available in Various Sizes.

BEFORE YOU START

Owner's Manual

Prior to installation, it is important that you contact your local government authority to determine if building approval is required. Study and understand this owner's manual. Important information and helpful tips will make your construction easier and more enjoyable.

Assembly instructions

Instructions are supplied in this manual and contain all appropriate information for your building model. Review all instructions before you begin. During assembly, follow the step sequence carefully for correct results. Please be aware: this unit takes two people 3 - 4 hours to complete.

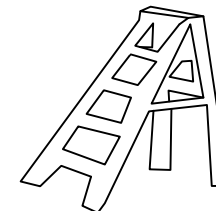
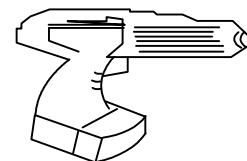
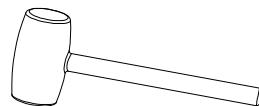
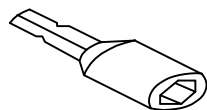
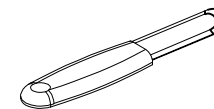
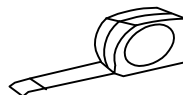
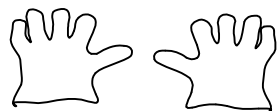
Parts

Check to be sure that you have all the necessary parts for the building.

Separate contents of the carton by the part number while reviewing parts list.

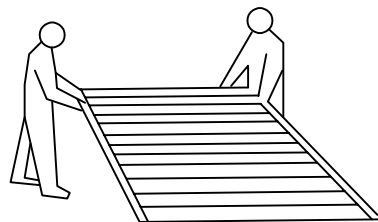
Familiarize yourself with the hardware and fasteners for easier use during construction. These are packaged within the carton. Note that extra fasteners have been supplied for your convenience.

TOOLS MAY REQUIRED



Use heavy duty gloves when handling steel sheets and flashing

PLAN AHEAD



Watch the weather:

Please be sure the day you select for installation is dry and calm.

DO NOT attempt to assemble your shed in windy weather

because of risk of damage to panels, or personal injury. Be careful of wet or muddy ground.

Teamwork:

Whenever possible, two or more people should work together to assemble the building. One person can position parts or panels

PLAN AHEAD

Site Selection

Avoid overhanging trees as much as possible as leaves will make regular cleaning necessary and broken branches are a potential hazard.
Small trees, bushes or fences nearby can be helpful, acting as a wind break.

If a concrete pad is made, it is important that this slopes towards the edges to prevent water ingress.
Time must be allowed for any concrete or cement to dry before building the shed on top.

Site Preparation

The site must be prepared so that the base of the shed is level all round and checking with a spirit level is required.

The base can be constructed by treated timber or concrete, in order to stop the moisture getting into the shed. The shed is not designed to be built onto lawn directly. Also the ground will get muddy during rainy days.

Bases can also be constructed from bricks, blocks, or mounted on a concrete pad.

The bricks or blocks should be cemented onto firm and level concrete footings and the greenhouse frame drilled and screwed to the base.

IMPORTANT NOTES:

Find someone to help you: it is much easier with someone to hold parts, pass tools ect. Also some steps require two people to lift structures together. This is not very heavy work so would suit most able-bodied people.

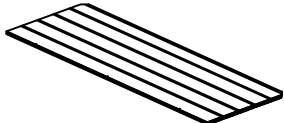


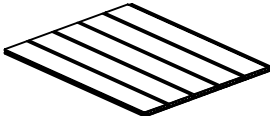
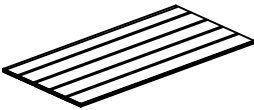
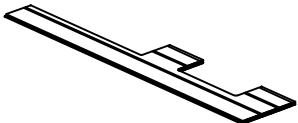
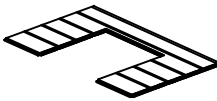
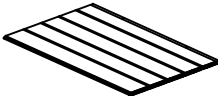
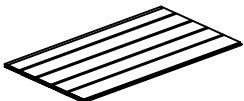


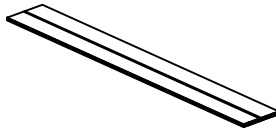
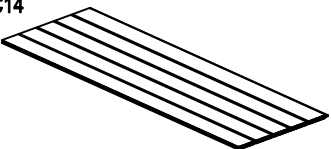
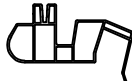


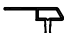
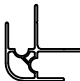
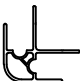







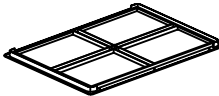
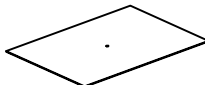
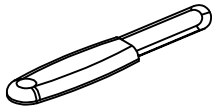


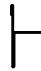
Allow plenty of time: rushing often causes errors and the re-doing of incorrect assemblies. If you have never built a shed before, it can take most of a day to carefully complete the construction.

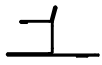



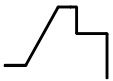
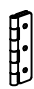
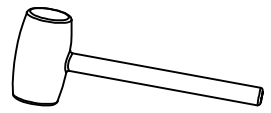
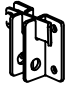



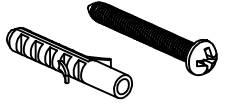

Have the right tools to hand.

Safety clothing as recommended in the 'Tools' section.

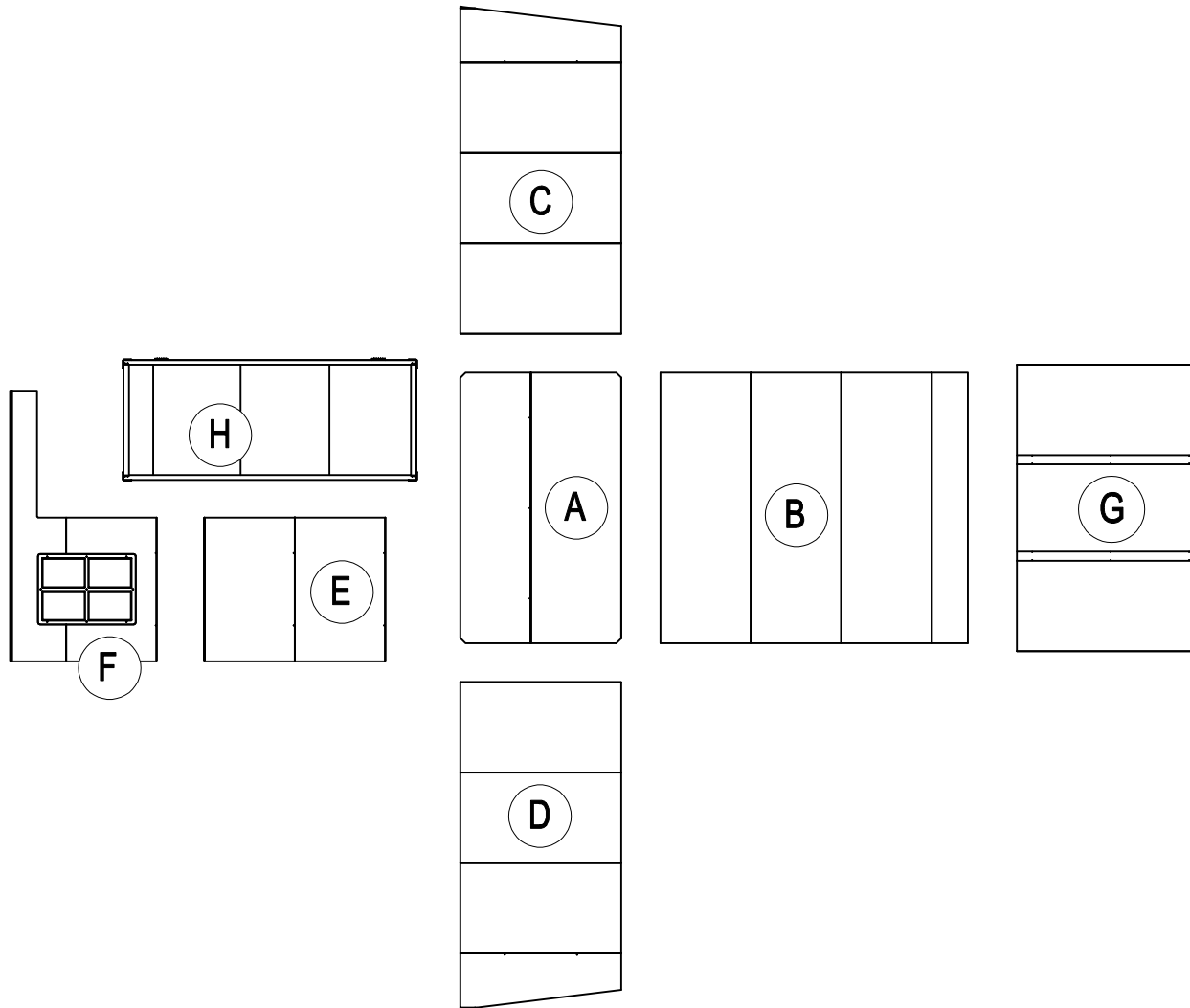
Ideally lay out the parts and check that all are present before commencing construction. Lay on cloths or plastic sheets if there is any risk of scratching the parts.

Tighten all nuts carefully, being sure not to miss any. Check the frame is square and using a spirit level to check that it is upright.

F35-V4-C01 	x 1	F35-V4-C02 	x 1	F35-C03 	x 1	F35-C04 	x 3
F35-V4-C03 	x 3	F35-V4-C04 	x 1	F35-V4-C05 	x 1	F35-V4-C06 	x 2
F35-C10 	x 6	F35-C11 	x 1	F35-C12 	x 1	F35-C13 	x 1
F35-C14 	x 3	F35-V4-C07 	x 2	F35-C16 	x 2	F35-V4-C08 	x 2
F35-C18 	x 2	F35-V4-C09 	x 2	F35-C20 	x 2	F35-C22 	x 2
F35-C23 	x 2	F35-C27 	x 3	F35-C28 	x 1	F35-C29 	x 4
F35-C30 	x 4	F35-C31 	x 1	F35-C32 	x 1	F35-C33 	x 1
F35-C34 	x 1	C35-V4-A01 	x 1	C35-A03 	x 1	F35-V4-A01 	x 1

F35-V4-A02 	x 1	C35-A06 	x 2	F35-A03 	x 1	F35-V4-A03 	x 2
F35-V4-A04 	x 1	A64-A15 	x 2	F35-D03 	x 1	F35-D02 	x 1
E01 (ST4.2*13) 	x 20	E02 (ST4.2*12) 	x 177	E03 (ST4.8*19) 	x 24	E04 (ST5.5*50) 	x 4
E12 (M4*10) 	x 12						

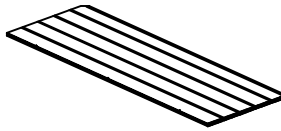
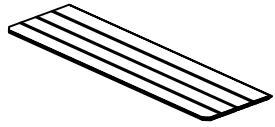
Pre-installed Exploded View I



F35-V4-C01 x 1

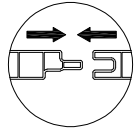
F35-V4-C02 x 1

E02 x 3



Pre-installed Basement

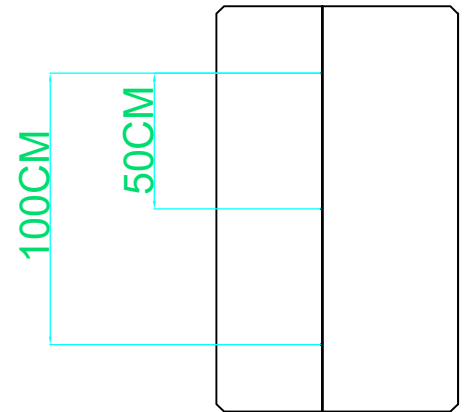
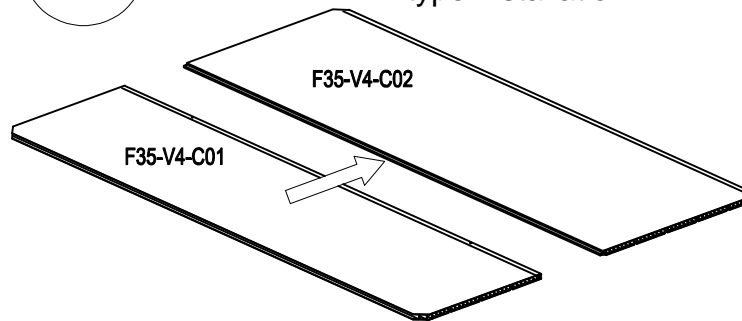
A



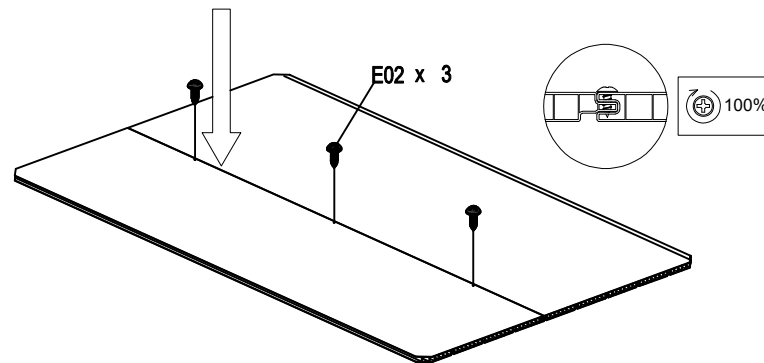
I

All panels have a rough side and a smooth side. When installing, make sure that the smooth side is toward the inside of the storage shed.

There are card slots on all panels. Align the panel and push it directly with force when installing panels; if it can't be pushed, you can stand the panel up and use the sliding type installation



II



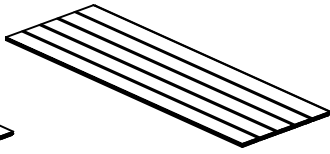
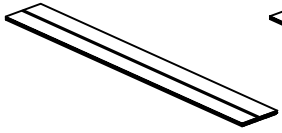
Place the panel smooth side up, knock the panel tightly by using hammer to make sure the panel is tightly fitted. This will prevent leaks, and then secure it with screws.

It is recommended to have three people install this at the same time, this will help with a better installation.

F35-C13 x 1

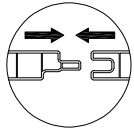
F35-C14 x 3

E02 x 6

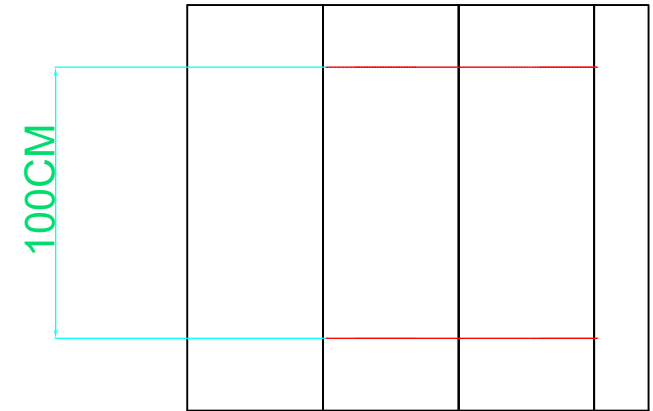
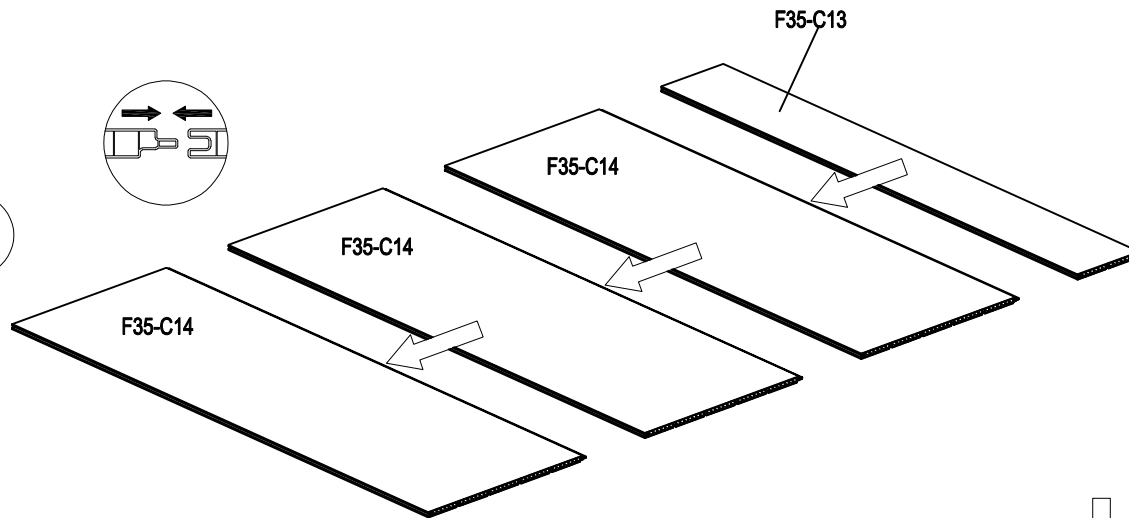


Pre-installed Back wall

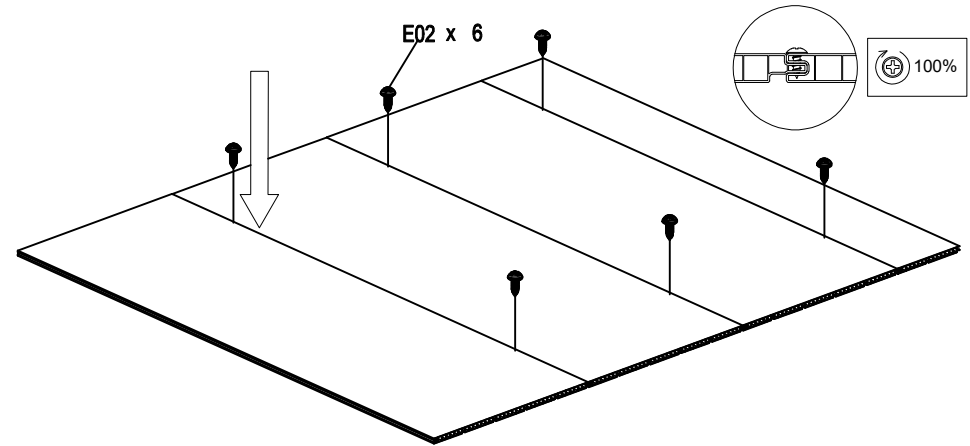
B



I



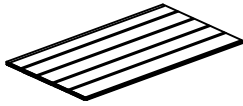
II



F35-C11 x 1



F35-C10 x 3



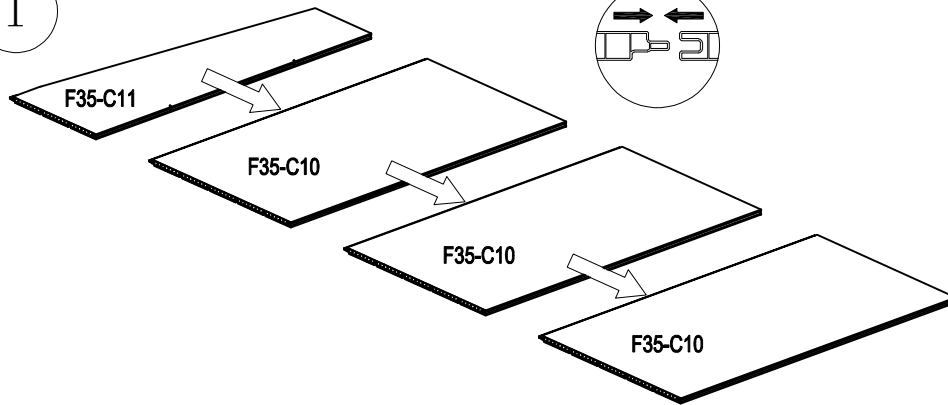
E02 x 6



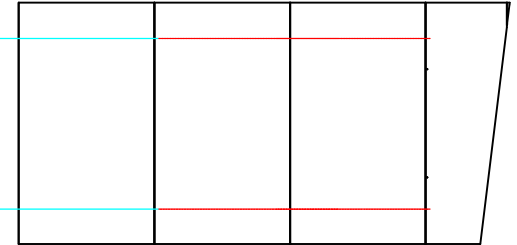
Pre-installed Side wall

C

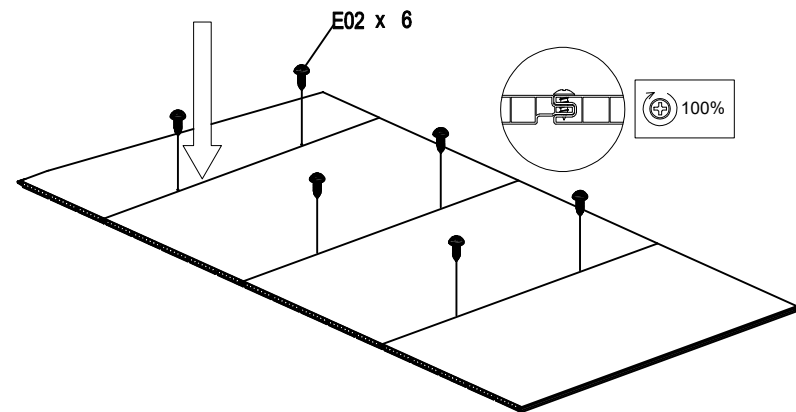
I



60CM



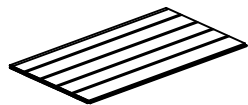
II



F35-C12 x 1

F35-C10 x 3

E02 x 6

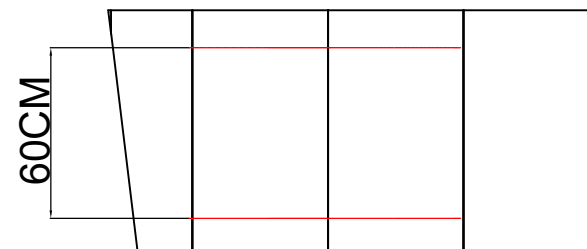
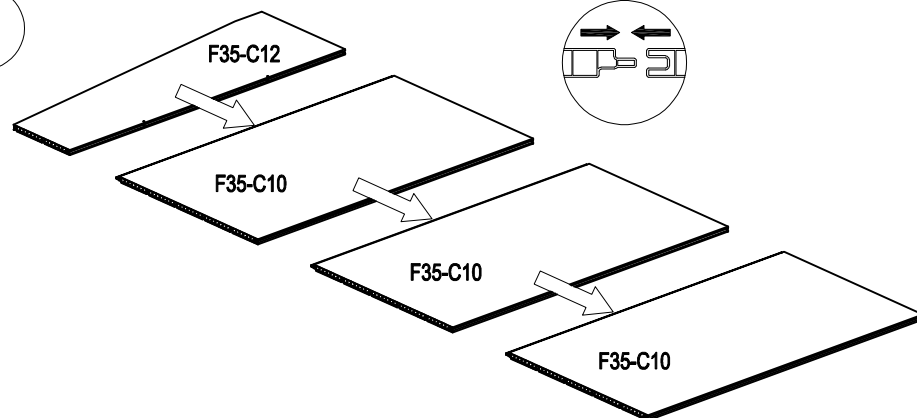


Pre-installed Side wall

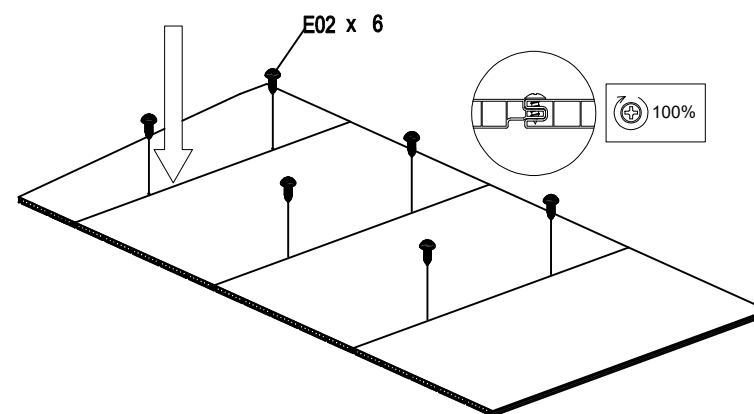
D

I

I

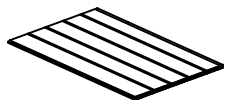


II



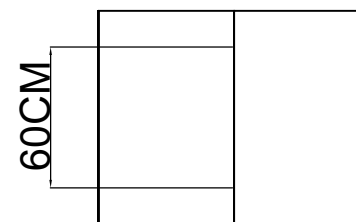
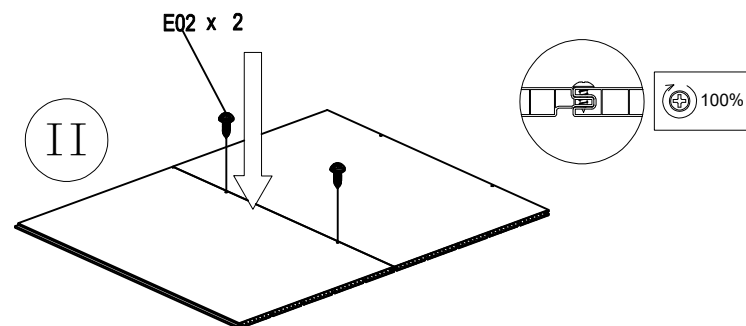
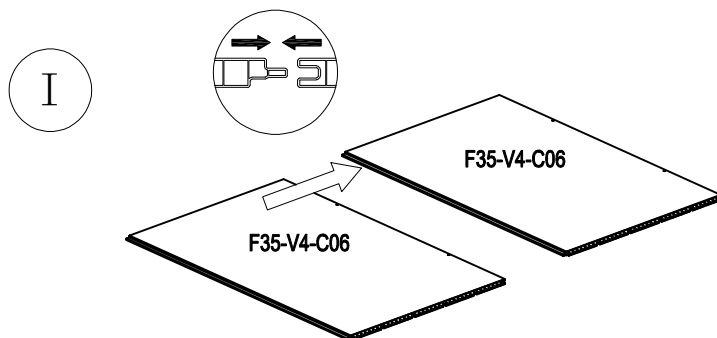
F35-V4-C06 x 2

E02 x 2

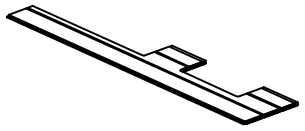


Pre-installed Front wall

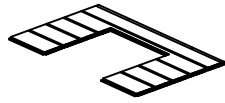
E



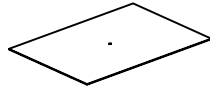
F35-V4-C04 x 1



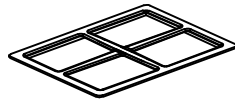
F35-V4-C05 x 1



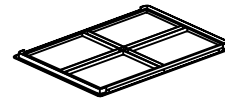
F35-C33 x 1



F35-C31 x 1



F35-C32 x 1



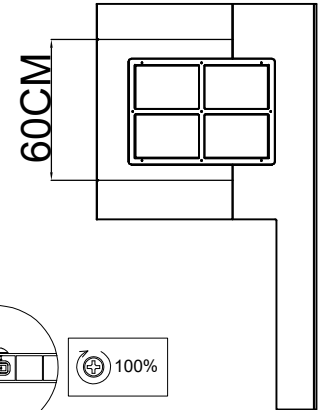
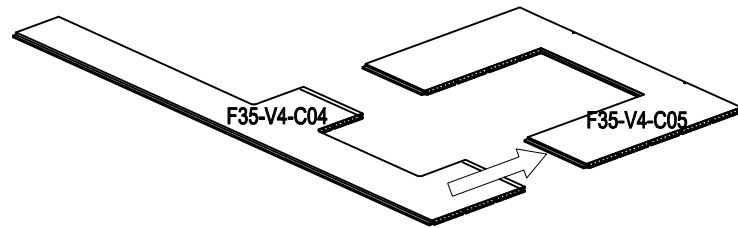
E02 x 11



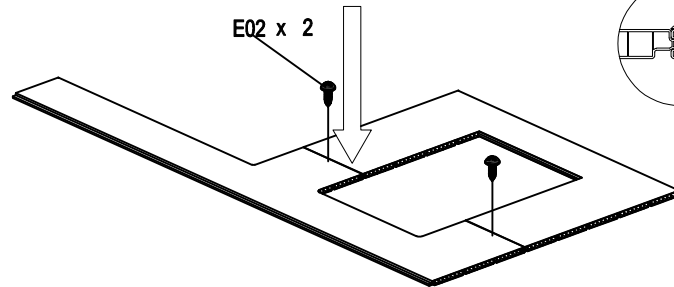
Pre-installed Front wall

F

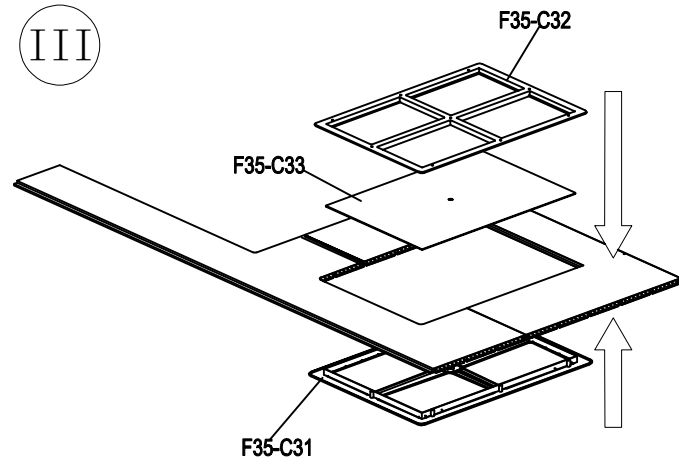
I



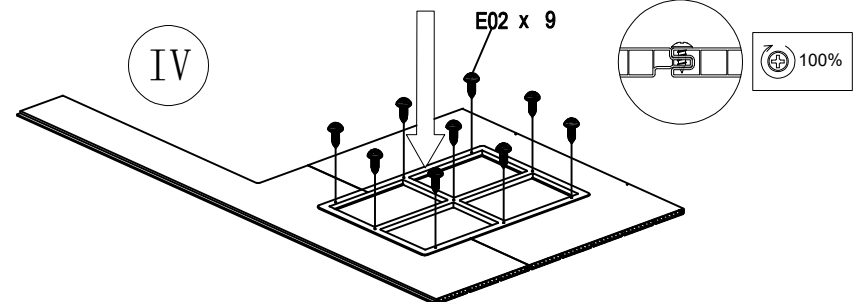
II



III



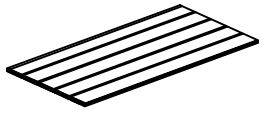
IV



F35-V4-C03 x 3

F35-V4-A03 x 2

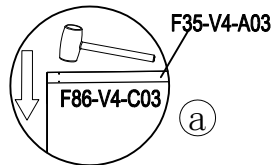
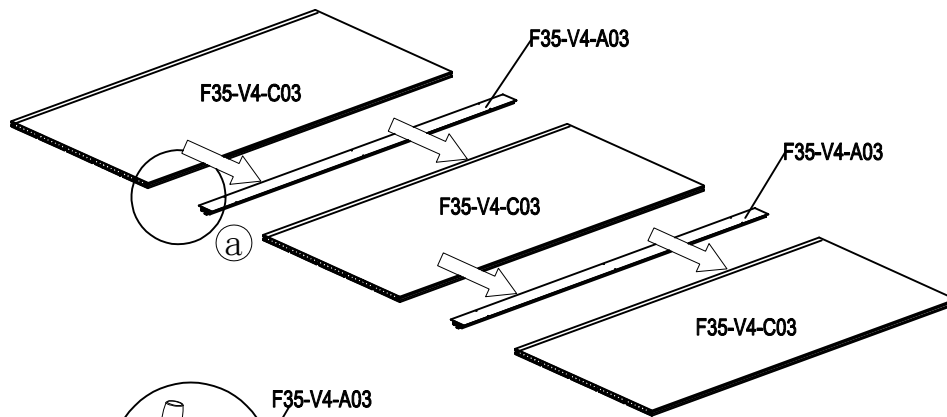
E02 x 12



Pre-installed Roof

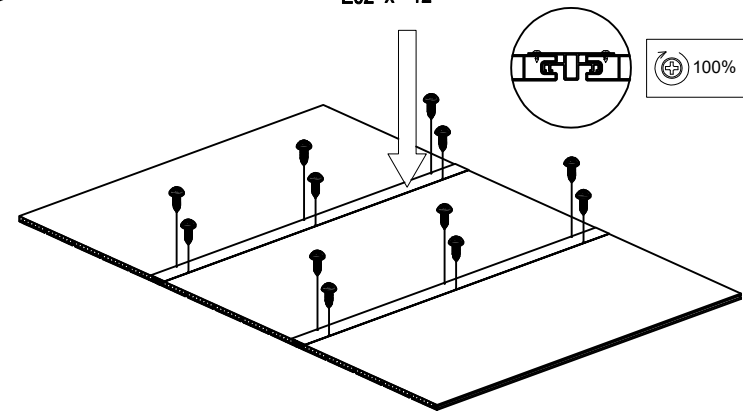
G

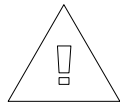
I



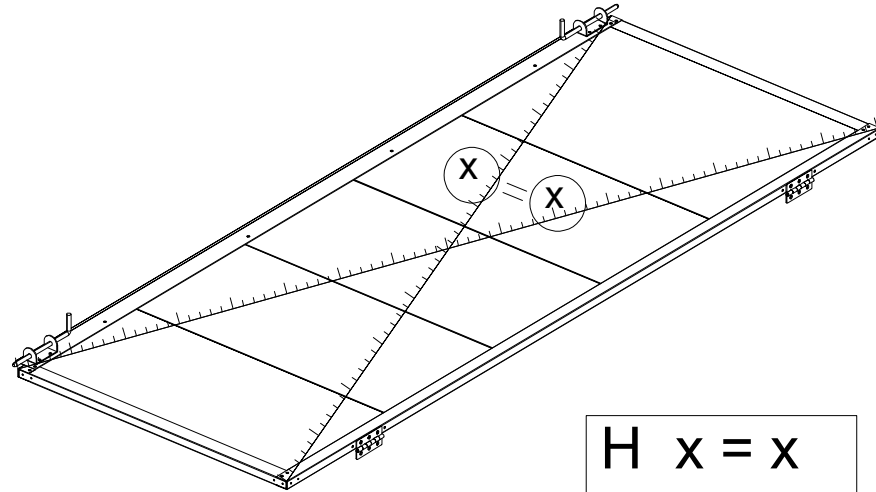
II

E02 x 12





Note: When you assemble door of the page 15, please kindly confirm the diagonal distance "X" of the door should be same before assembling the screws.



F35-C03 x 1

F35-C04 x 3

C35-A03 x 1

C35-A06 x 2

F35-A03 x 1

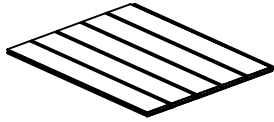
A64-A15 x 2

F35-C29 x 4

E02 x 14

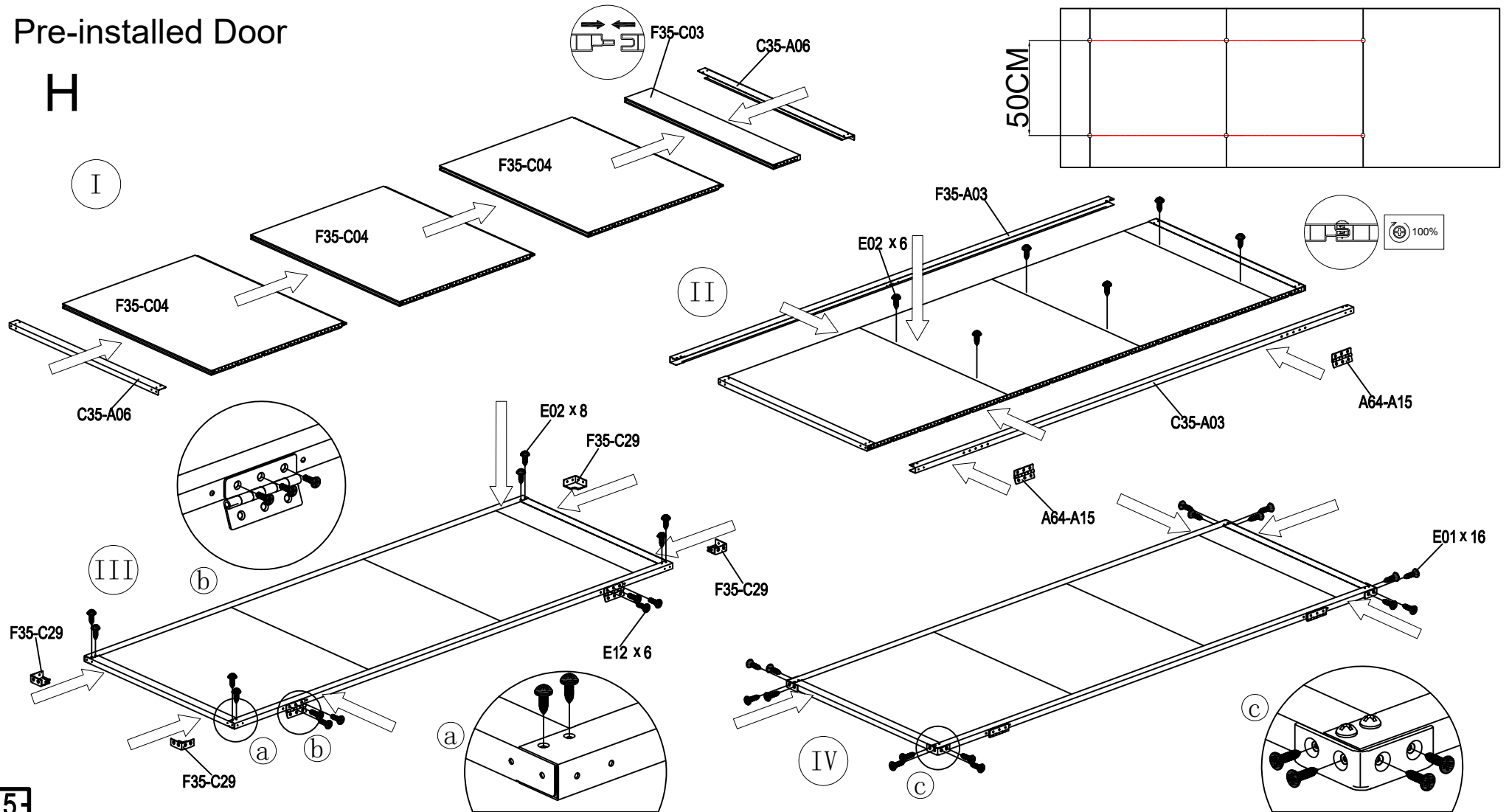
E01 x 16

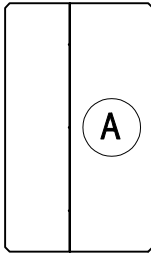
E12 x 6



Pre-installed Door

H





F35-V4-C09 x 2



F35-C20 x 2



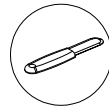
F35-C27 x 3



F35-C28 x 1

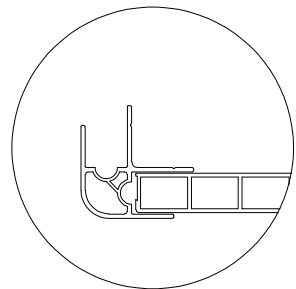
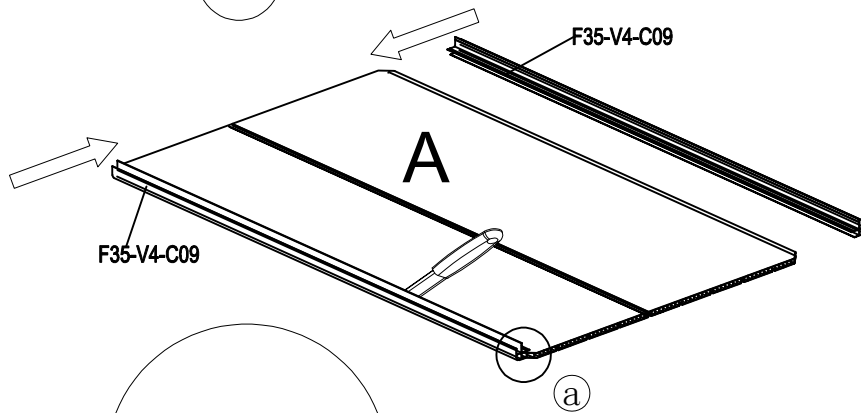


E02 x 12



Please use rubber-knife to helping assembly.

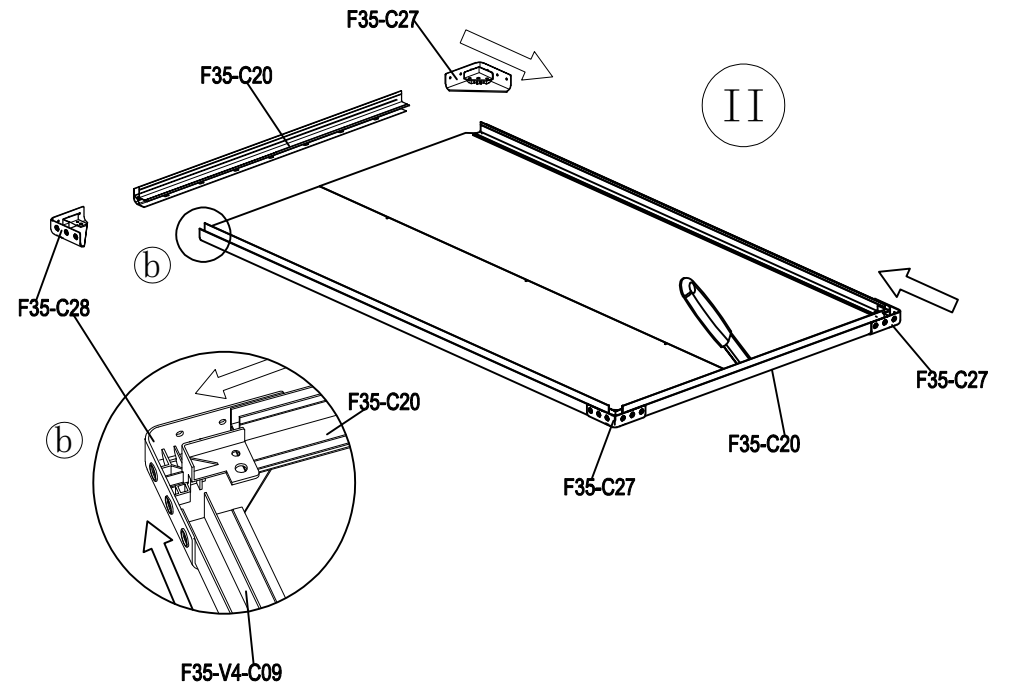
I



a

a

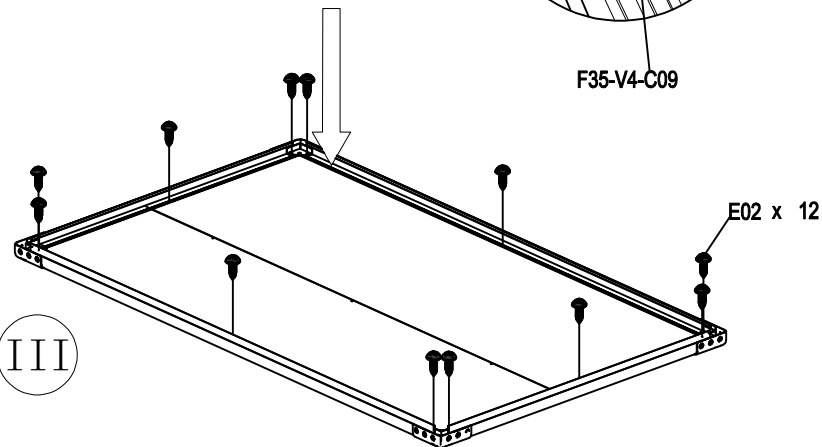
II

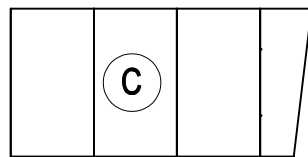
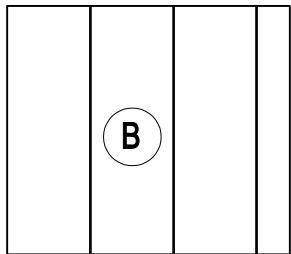


b

b

III





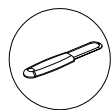
F35-C22 x 1

F35-C23 x 1

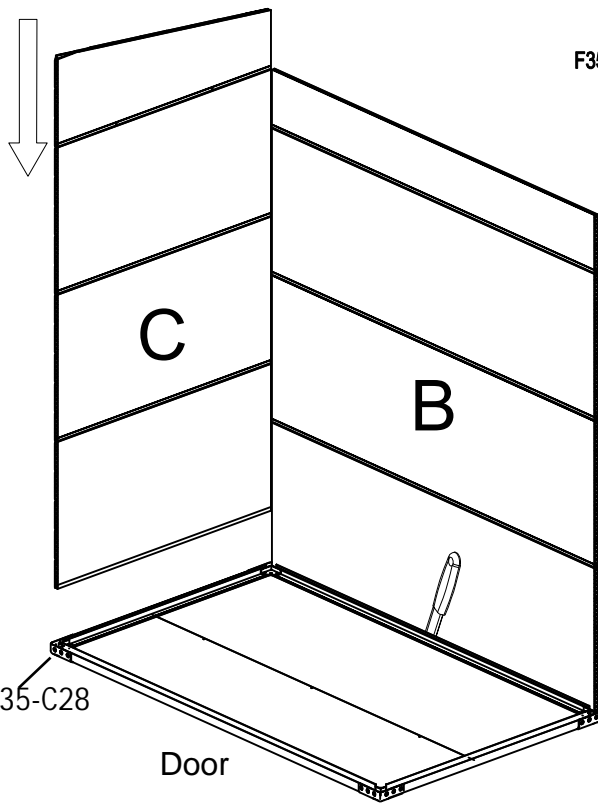
E02 x 20



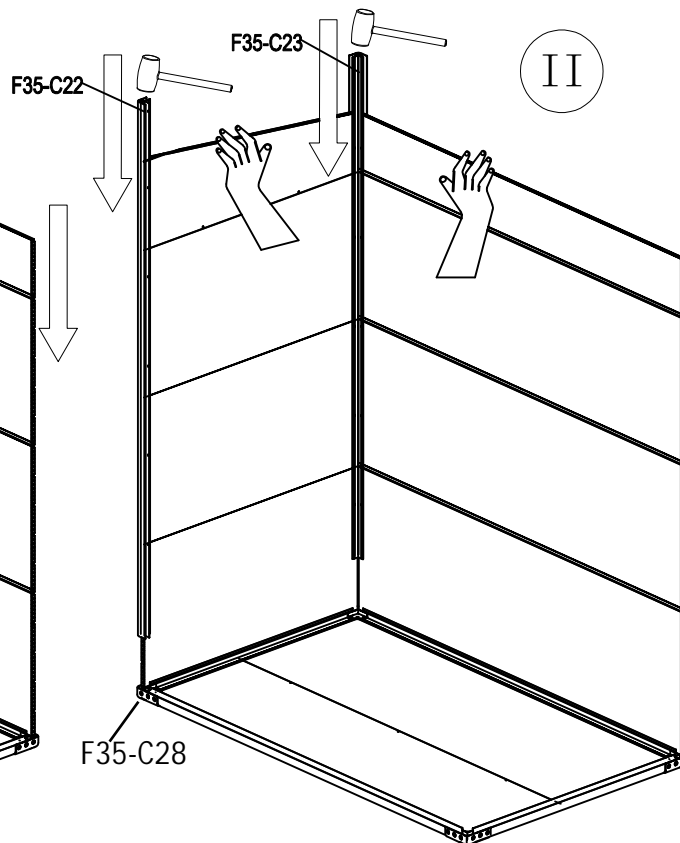
I



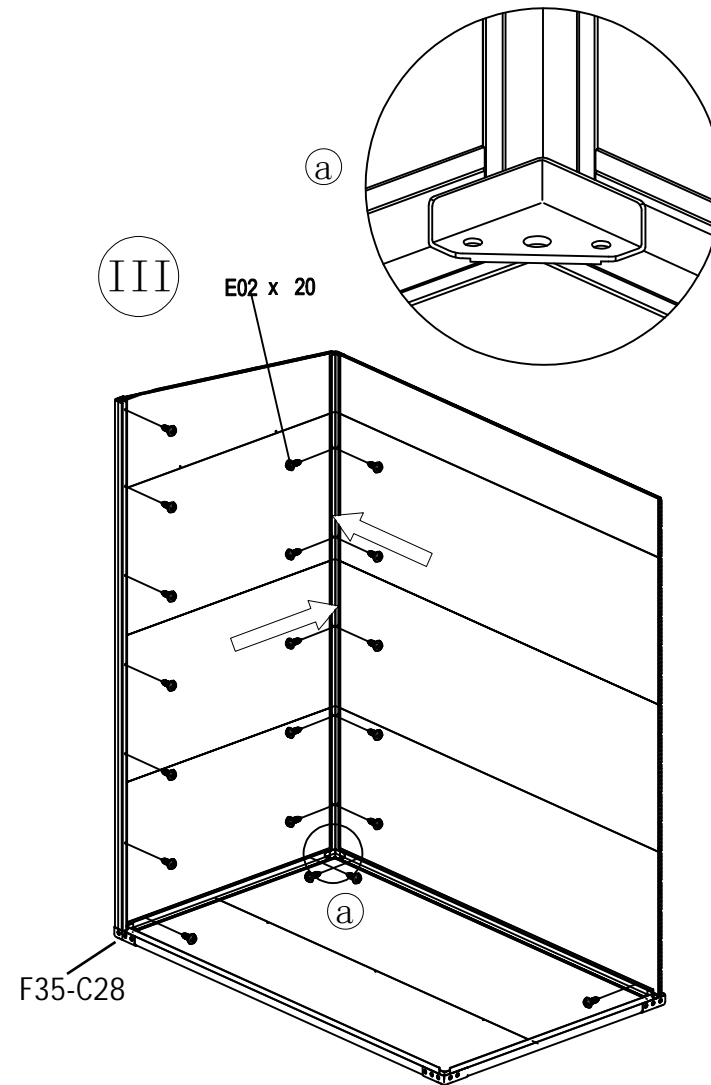
Please use rubber-knife to helping assembly.

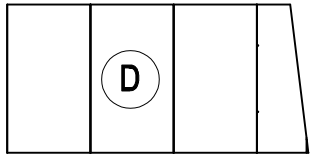


II



III





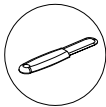
F35-C22 x 1

F35-C23 x 1

E02 x 18



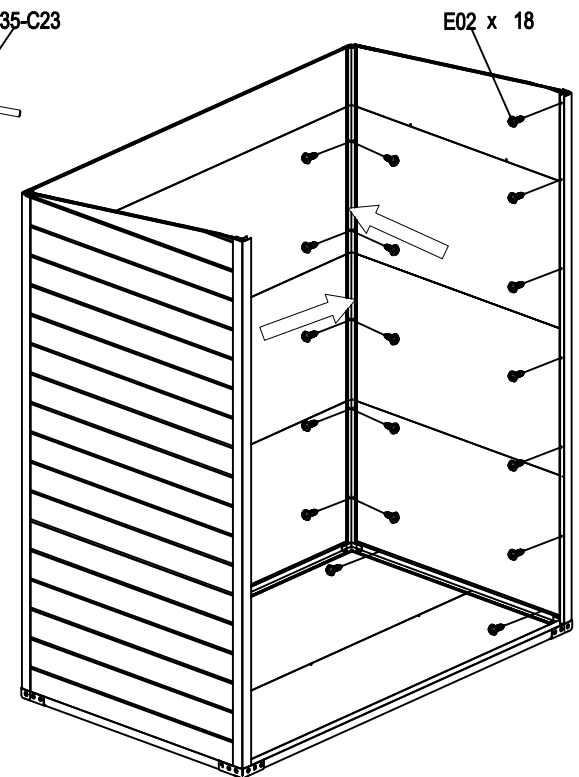
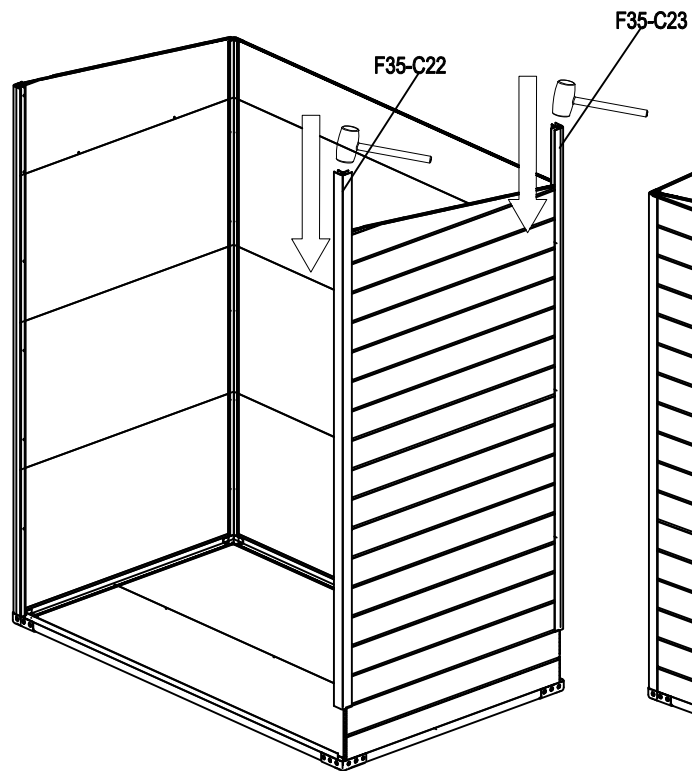
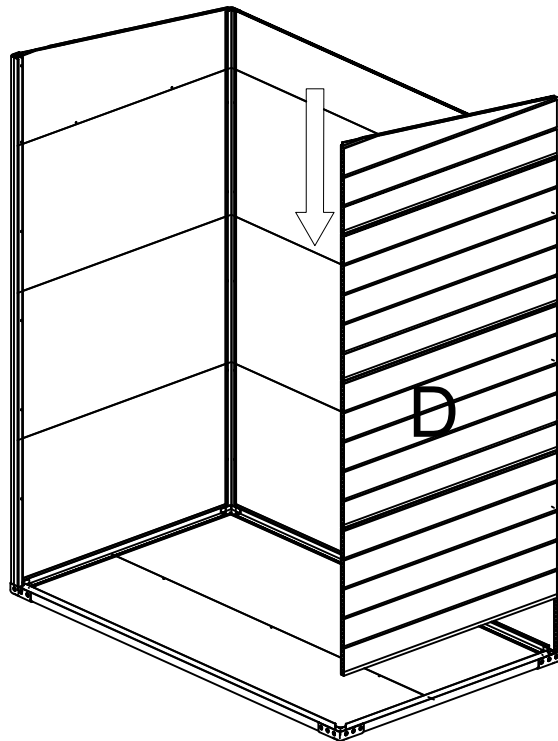
I

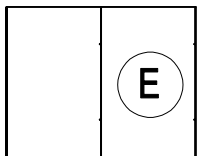


Please use rubber-knife to helping assembly.

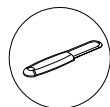
II

III

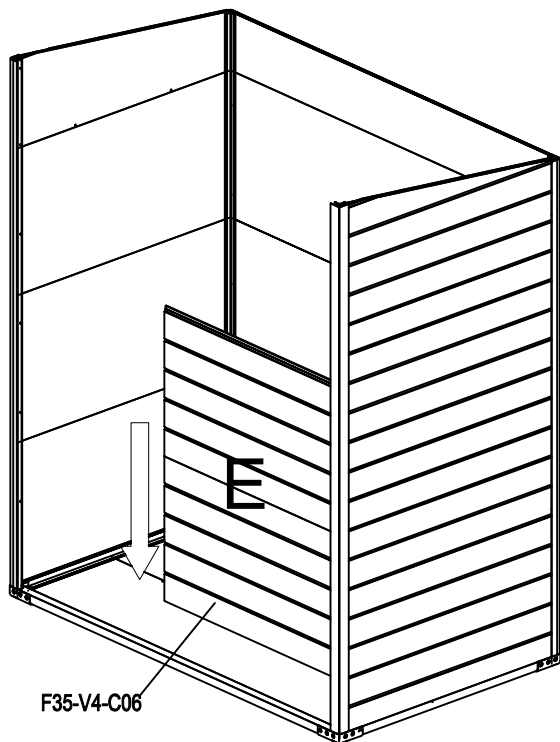




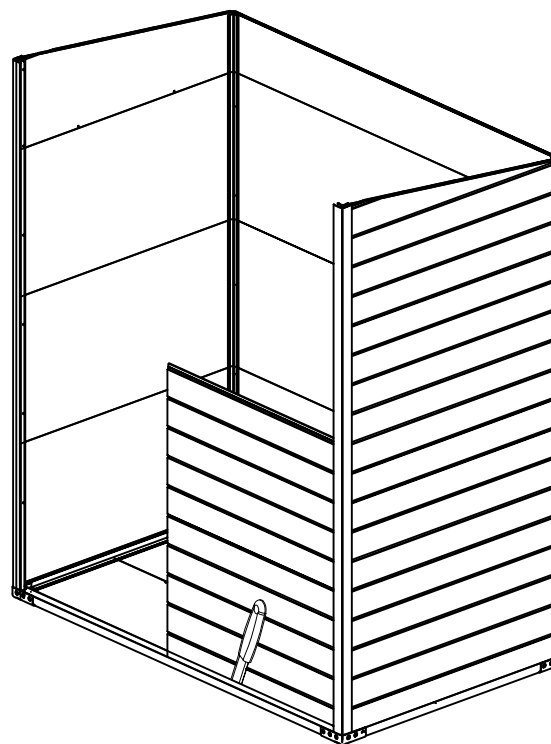
I



Please use rubber-knife to helping assembly.

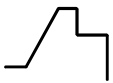


II

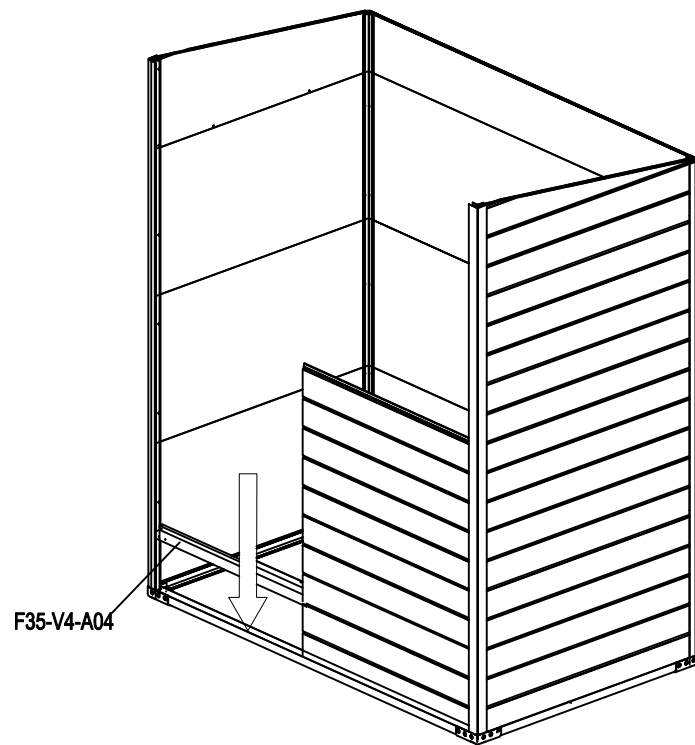


F35-V4-A04 x 1

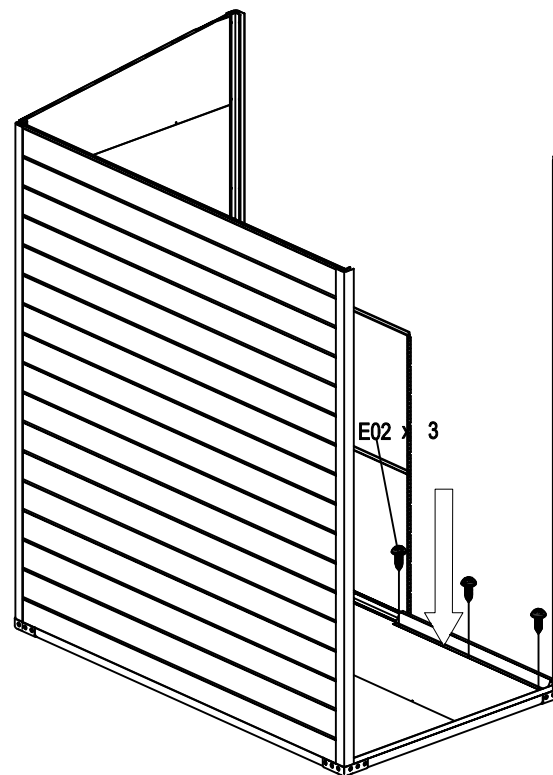
E02 x 3



I



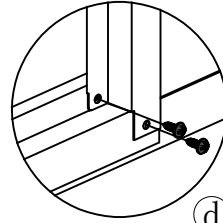
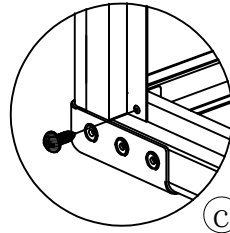
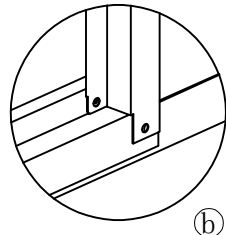
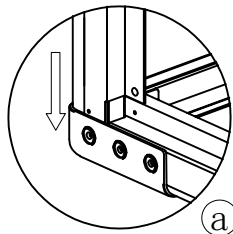
II



C35-V4-A01 x 1

F35-V4-A01 x 1

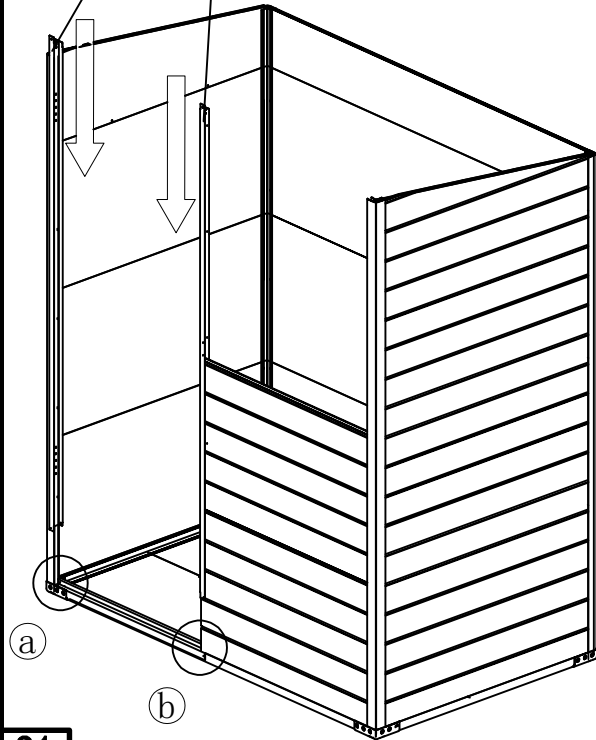
E02 x 8



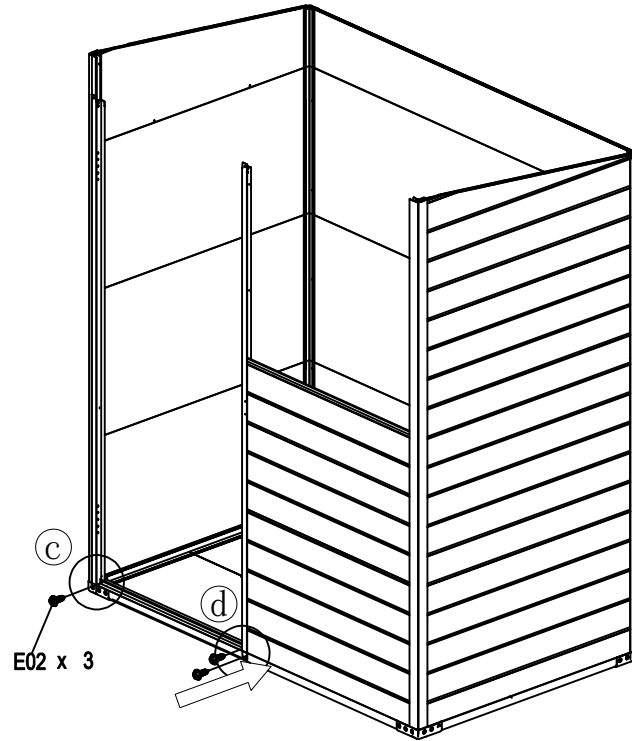
III

C35-V4-A01

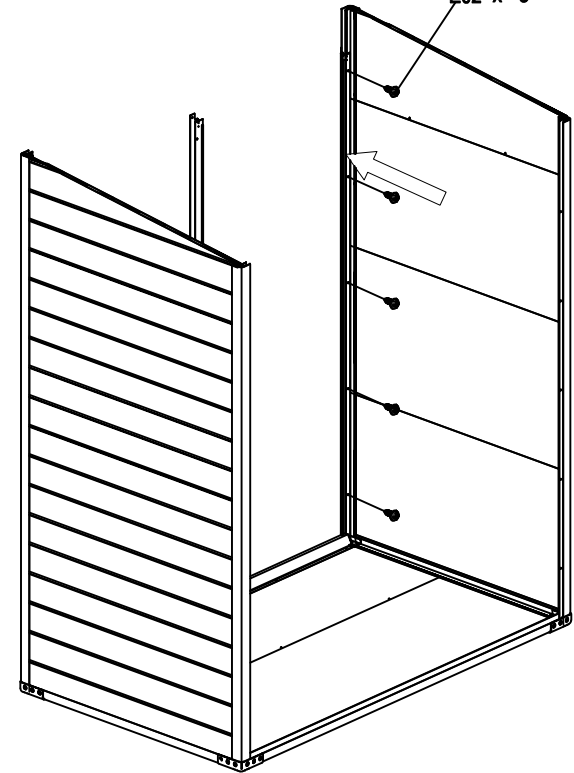
F35-V4-A01



II

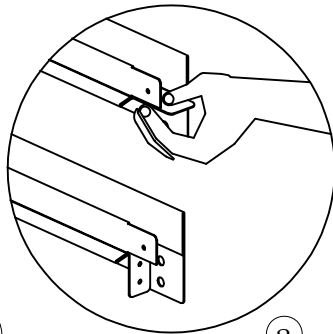
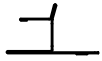


E02 x 5



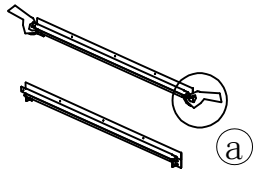
F35-V4-A02 x 1

E02 x 2



a

I

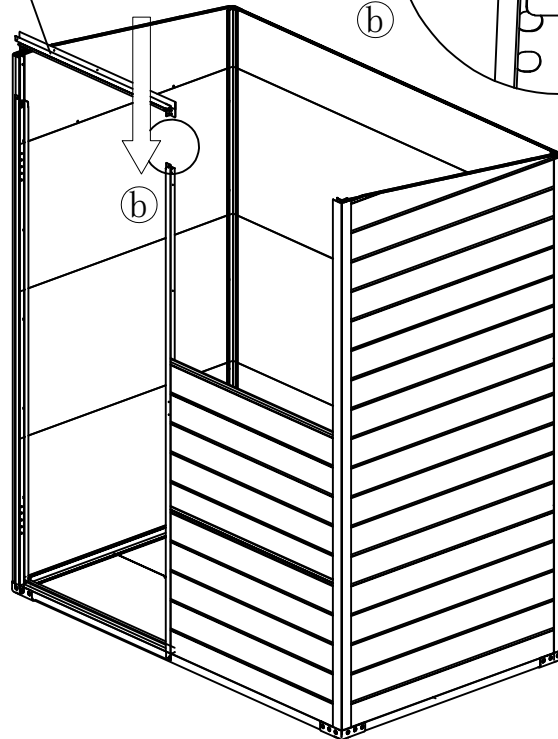
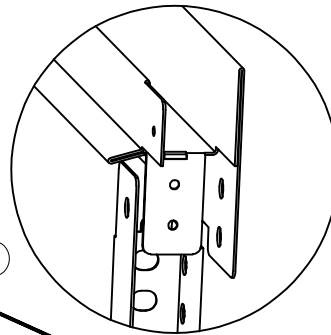


a

II

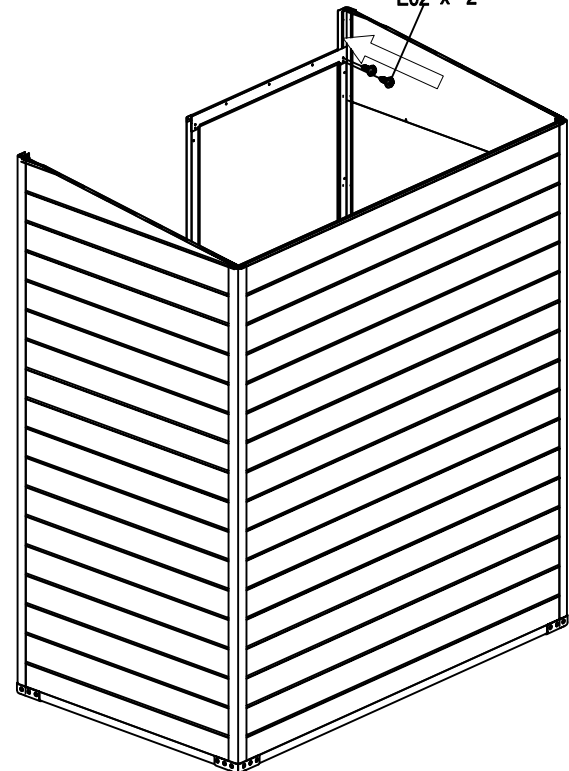
F35-V4-A02

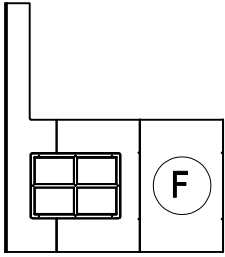
b



III

E02 x 2





E02 x 18

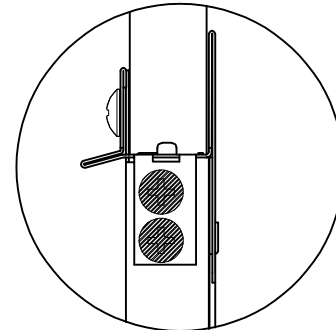


I



Please use rubber-knife to helping assembly.

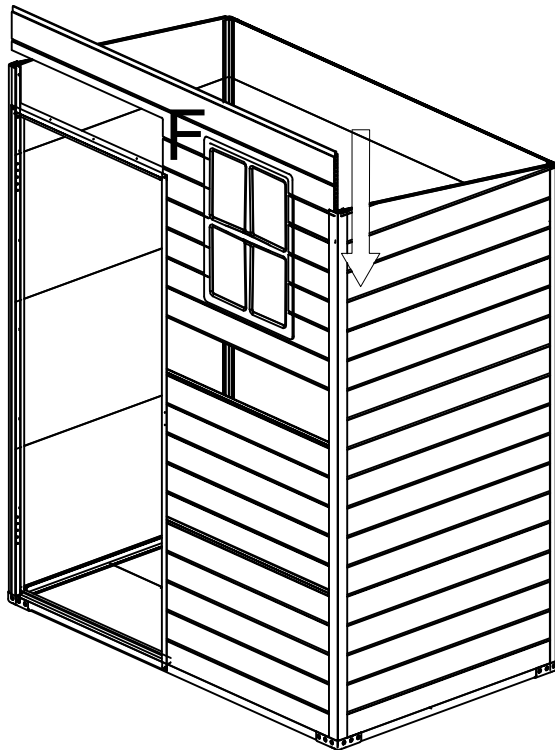
II



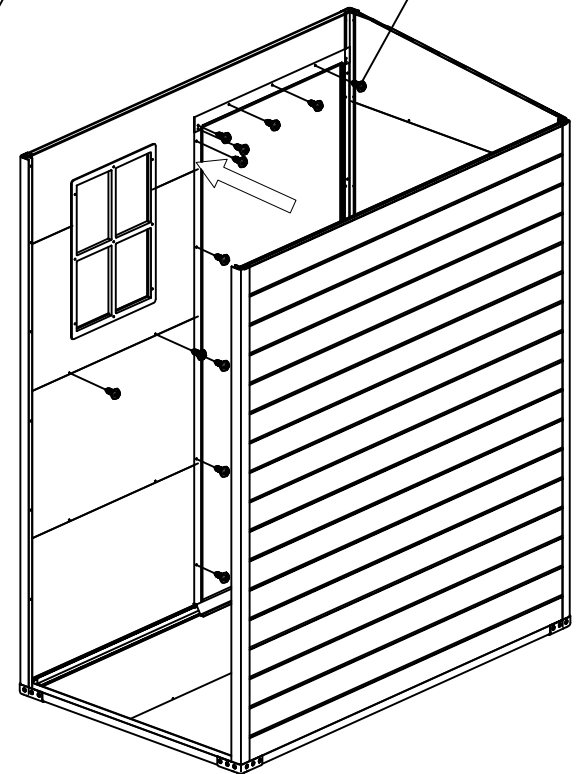
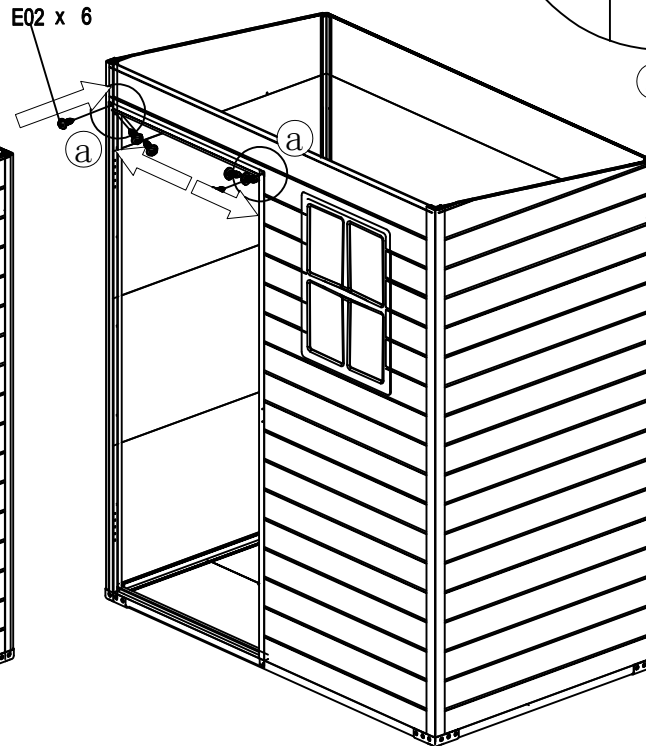
a

III

E02 x 12



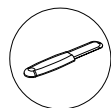
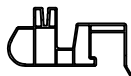
E02 x 6



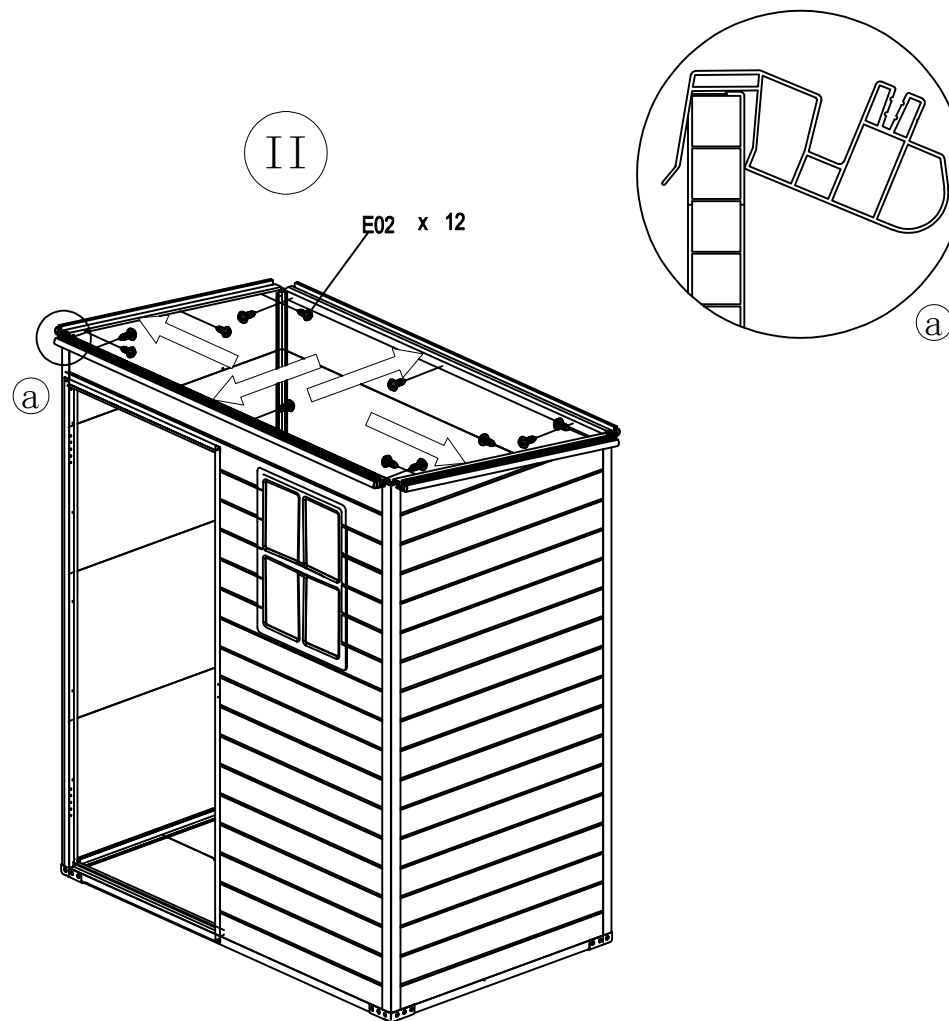
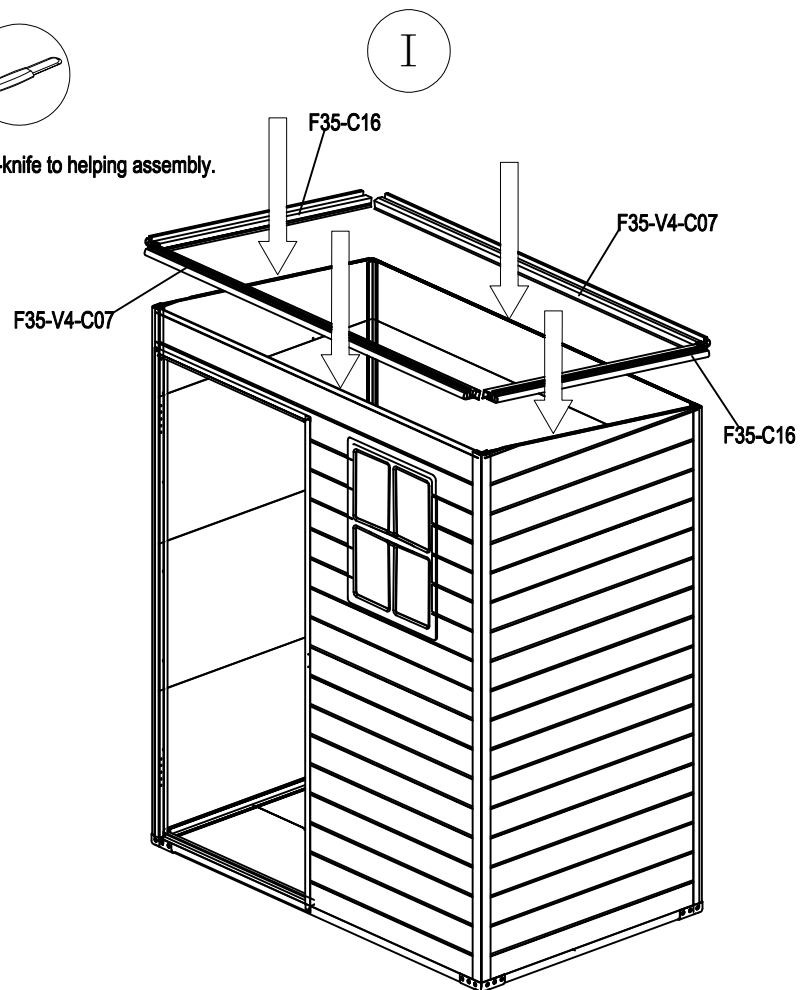
F35-V4-C07 x 2

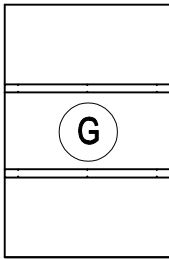
F35-C16 x 2

E02 x 12

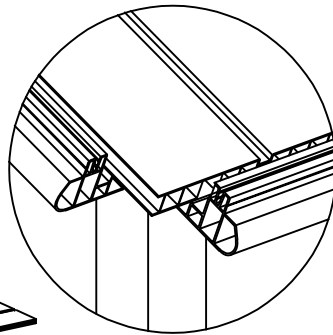
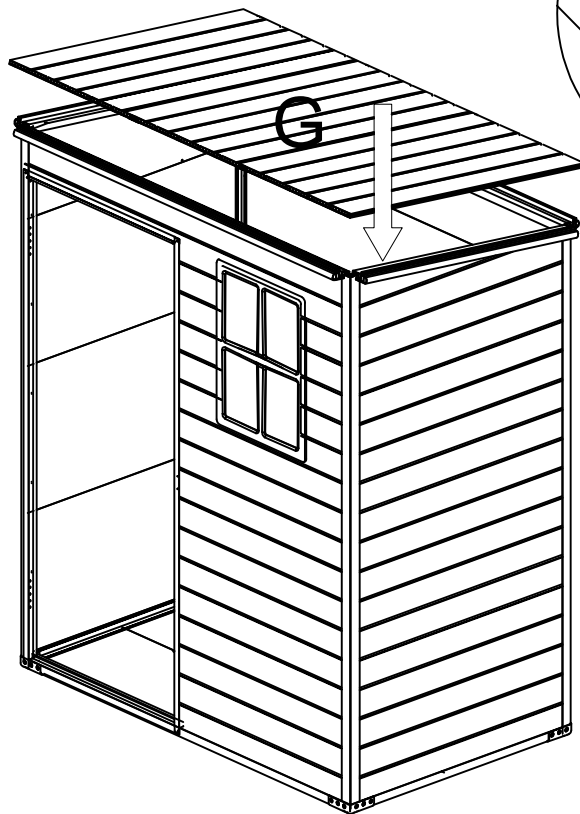


Please use rubber-knife to helping assembly.



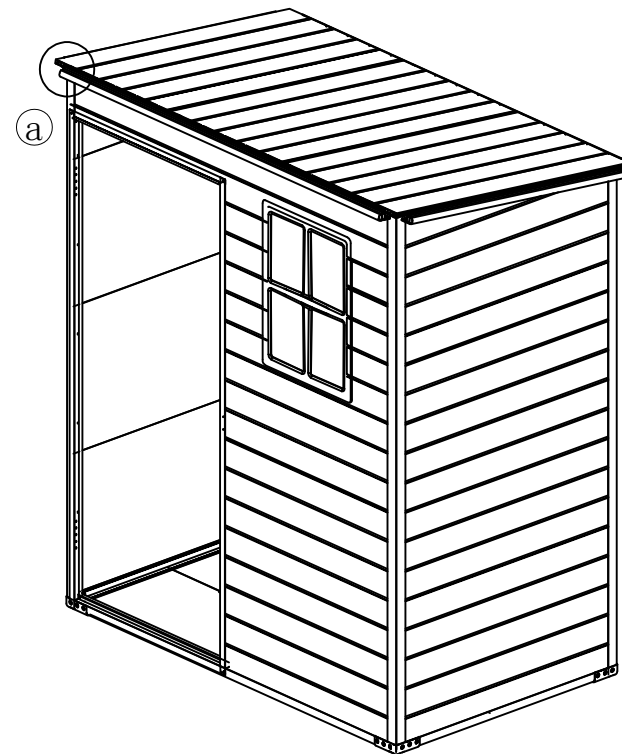


I



a

II

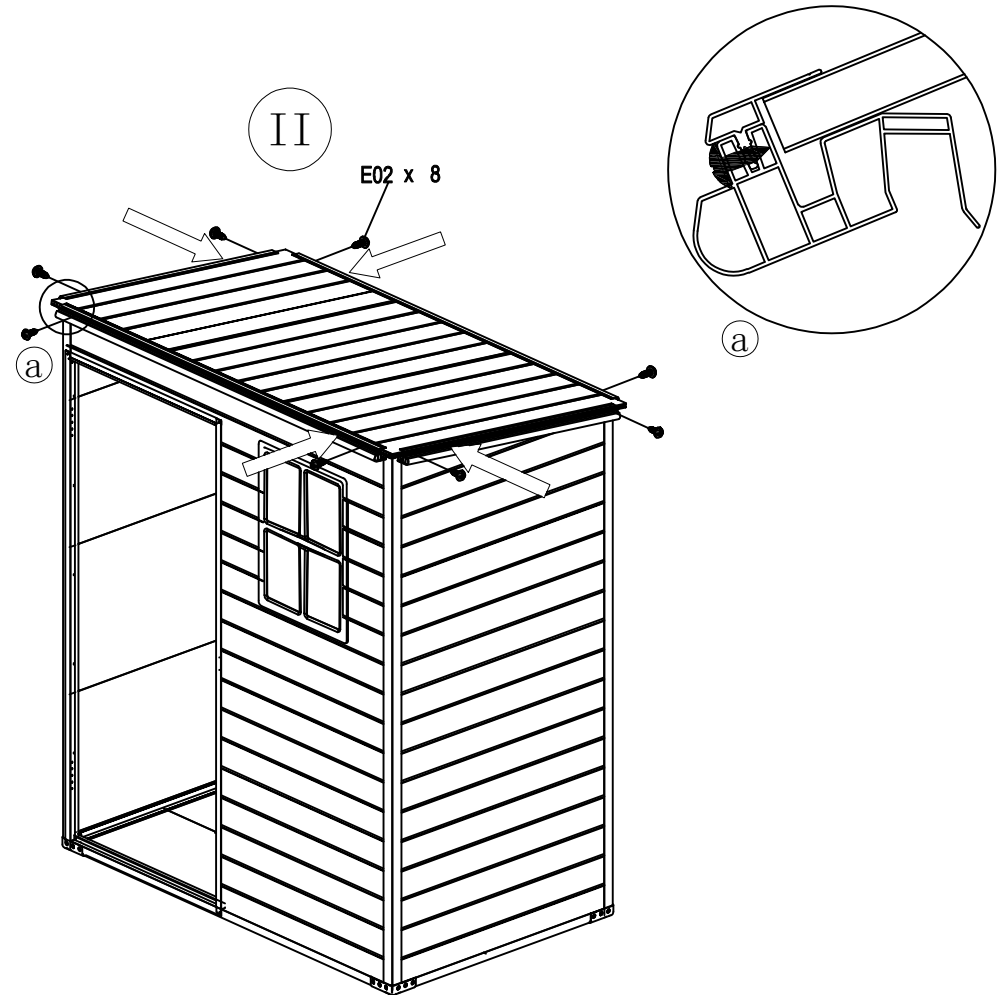
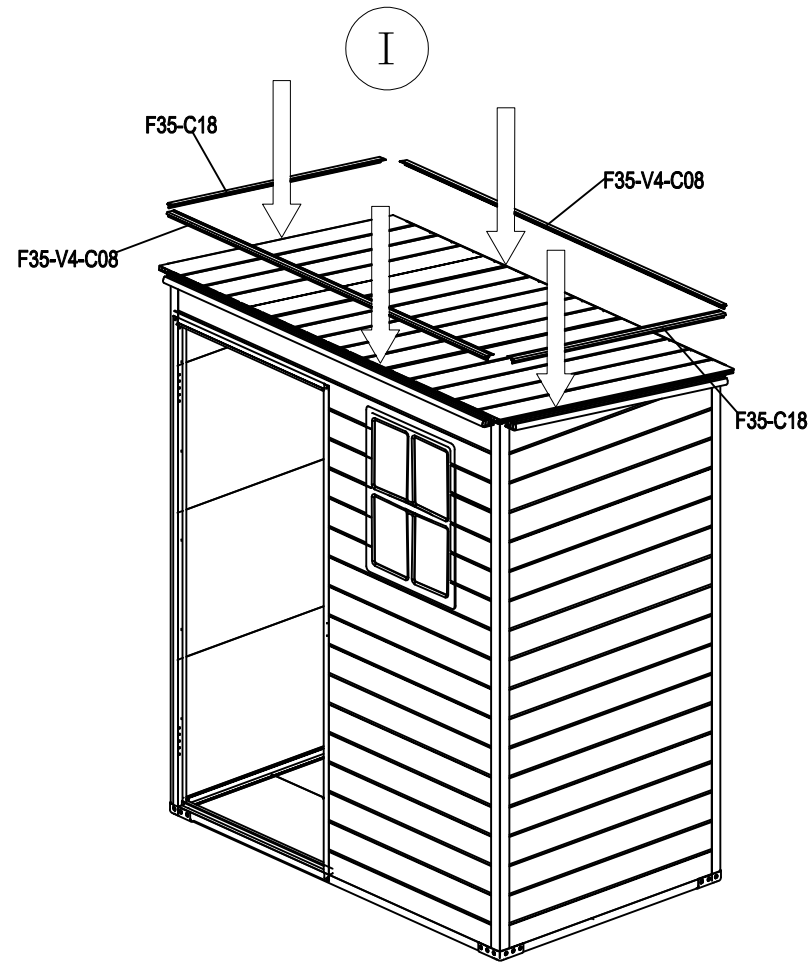


a

F35-V4-C08 x 2

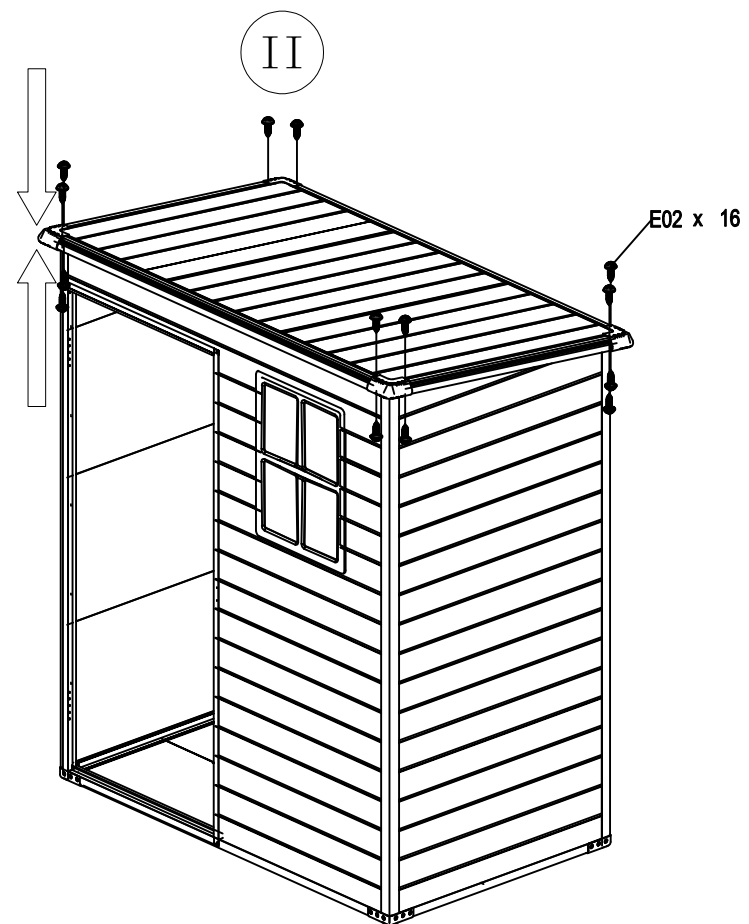
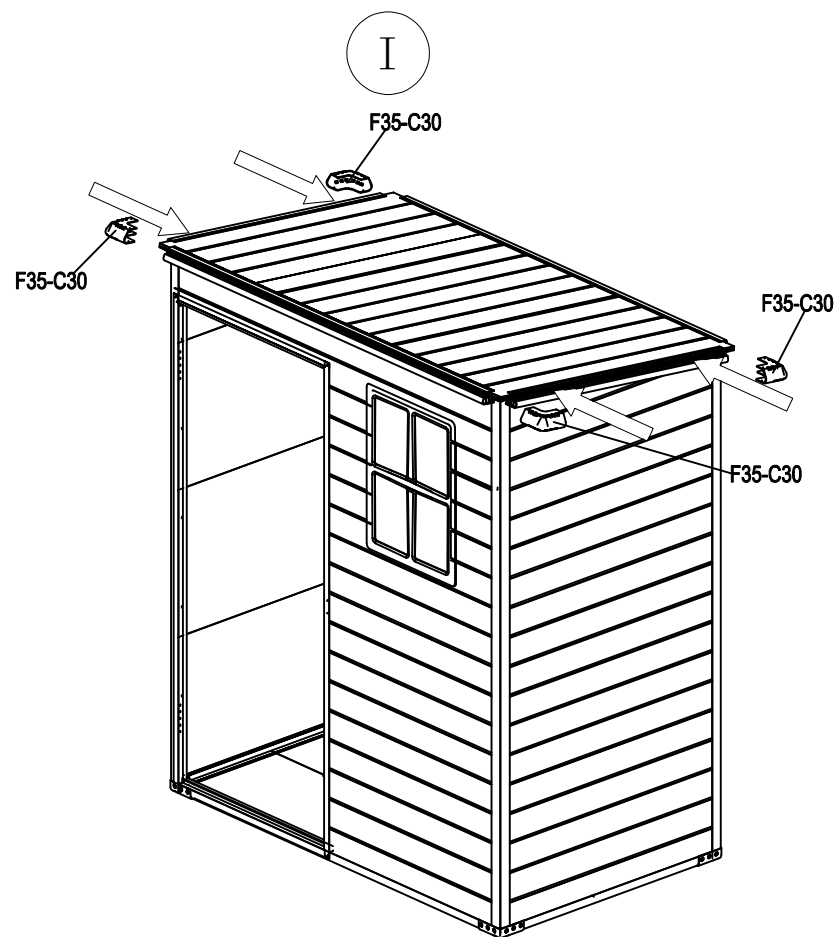
F35-C18 x 2

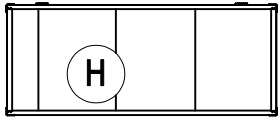
E02 x 8



F35-C30 x 4

E02 x 16

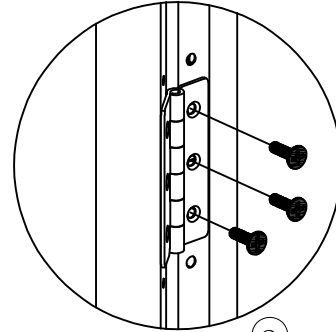
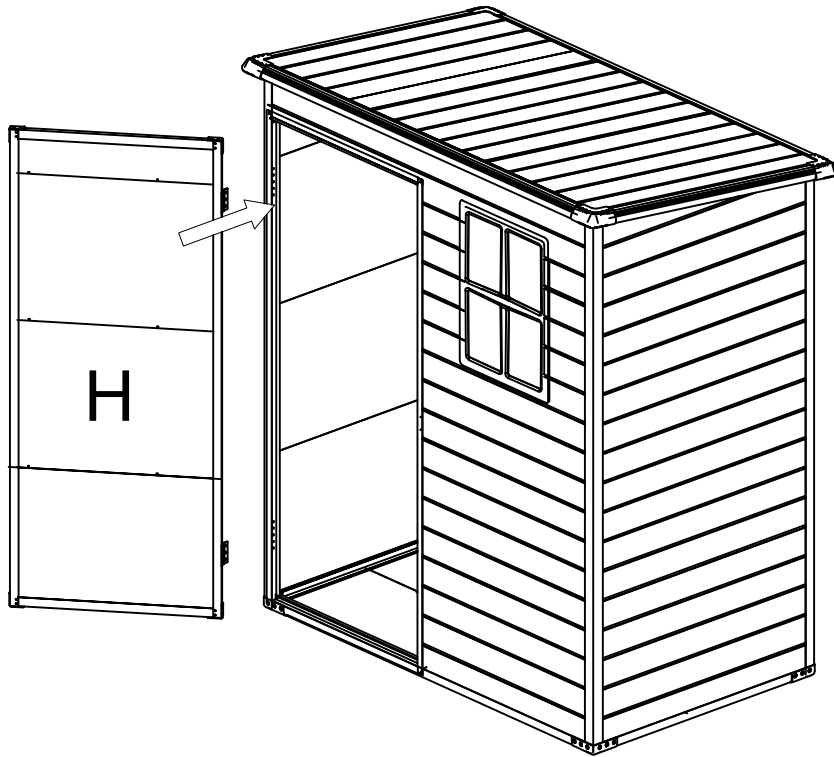




E12 x 6

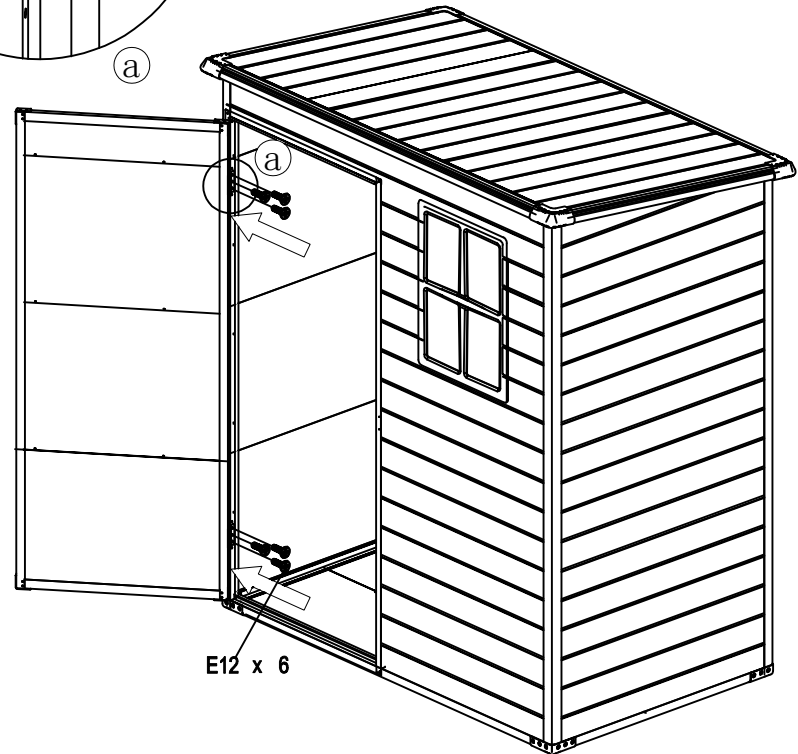


I



a

II



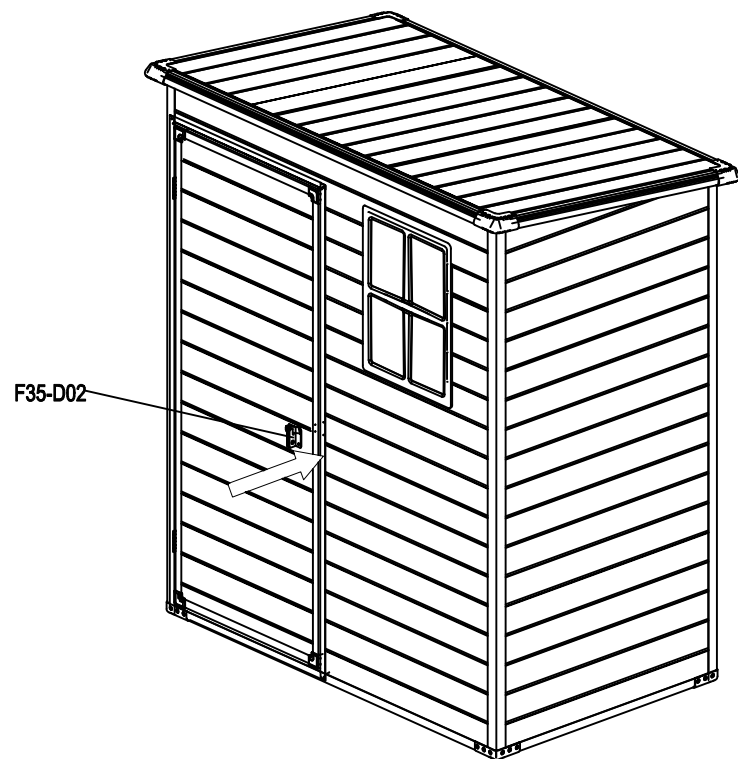
E12 x 6

F35-D02 x 1

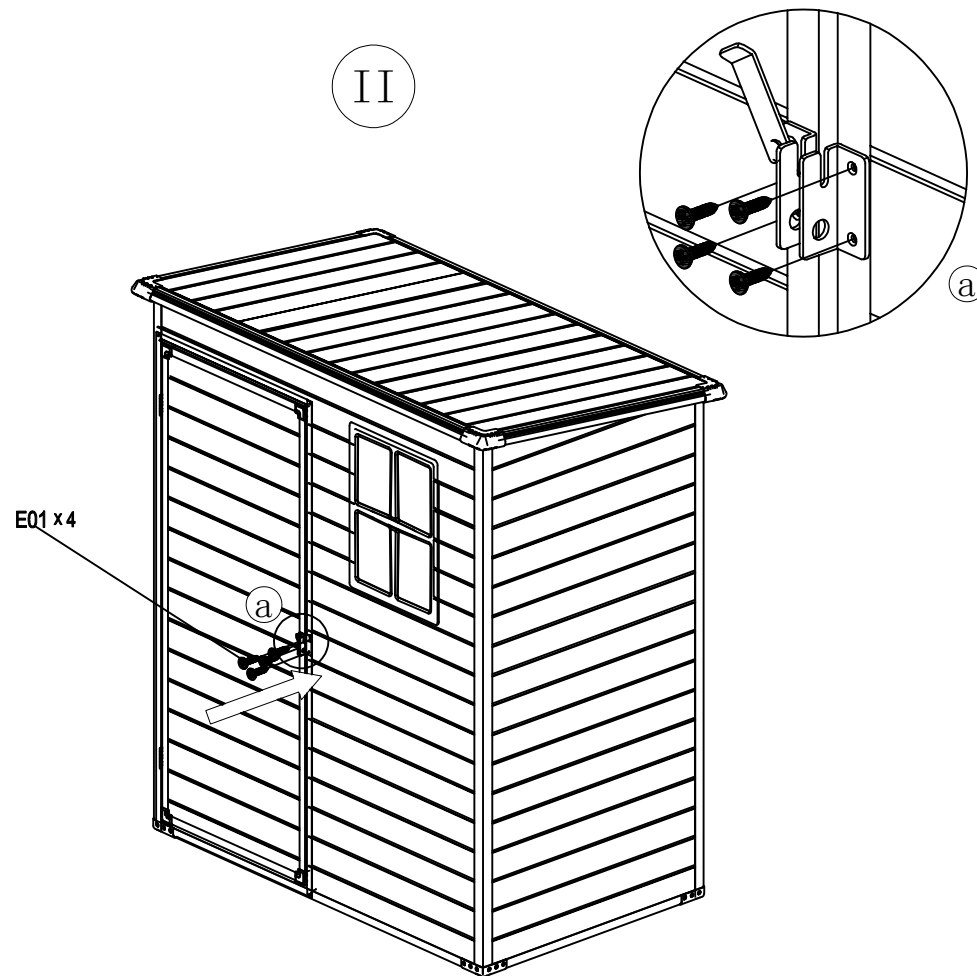
E01 x 4



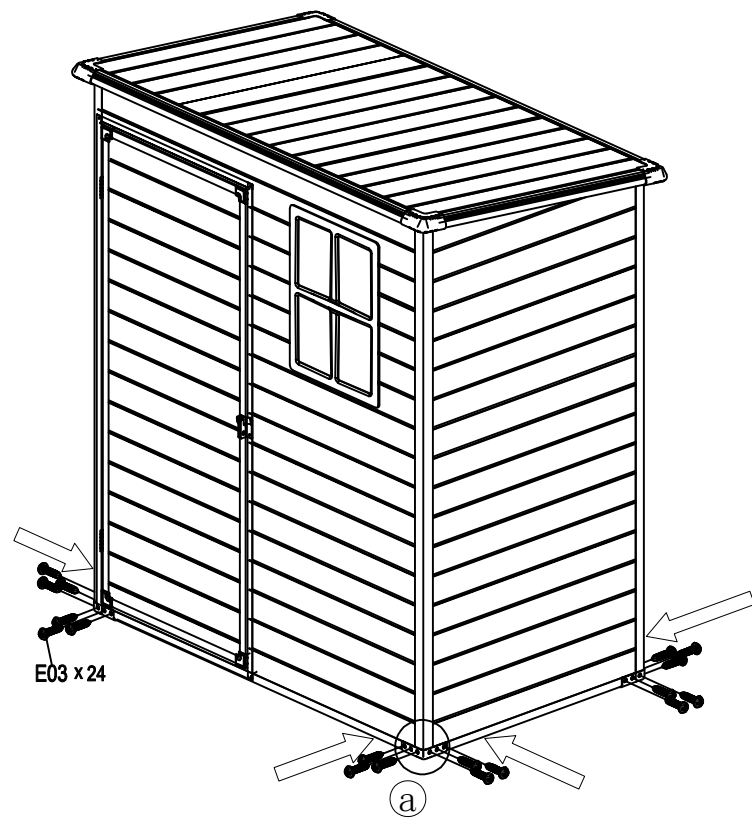
I



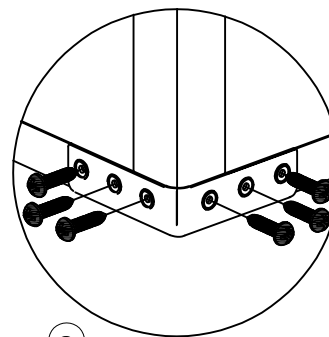
II



E03 x 24



E03 x 24



a

E04 x 4

