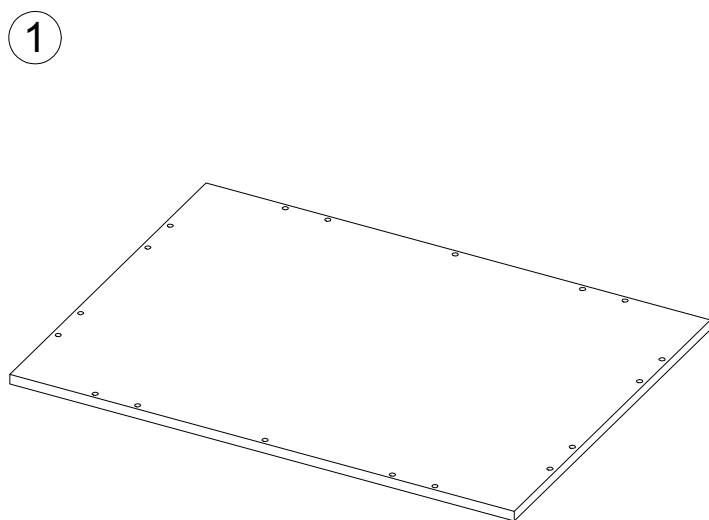
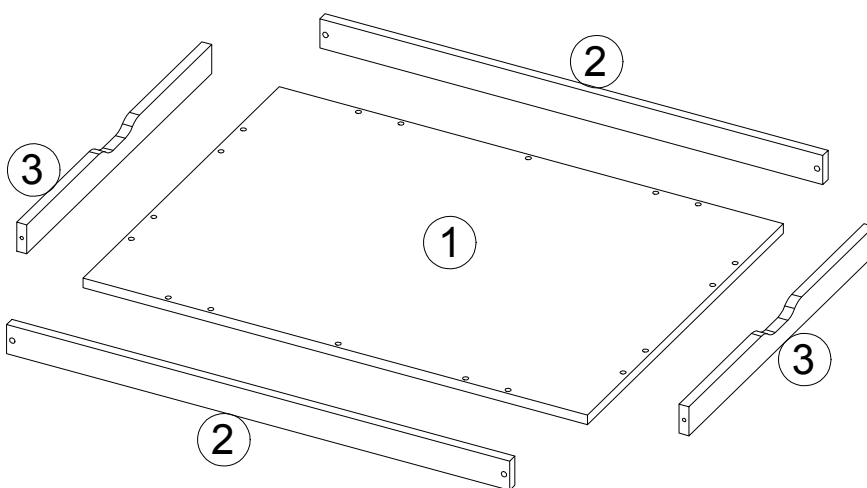
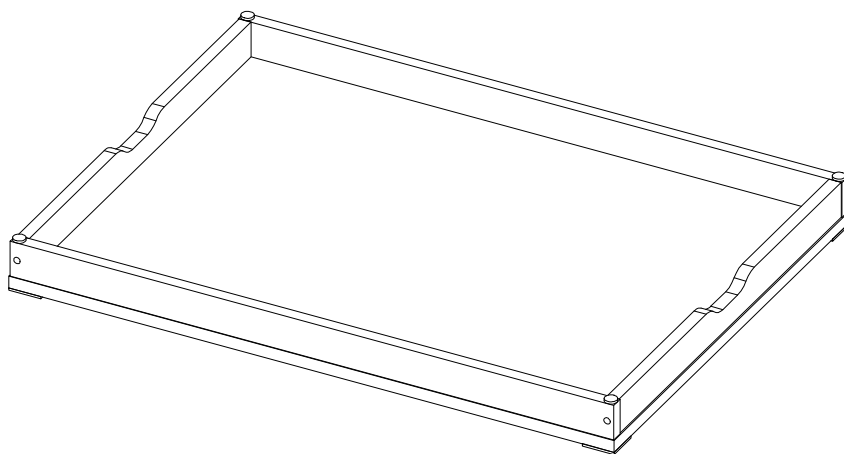
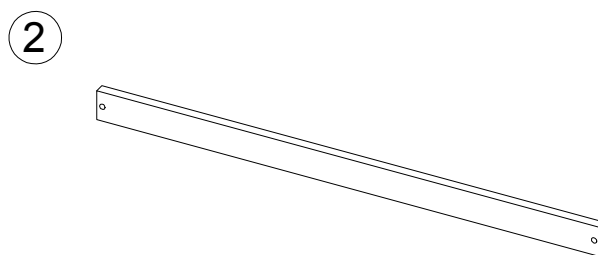


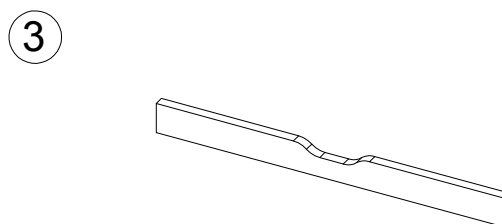
ASSEMBLY INSTRUCTION



X1



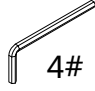
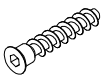
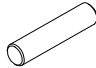
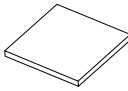

X2



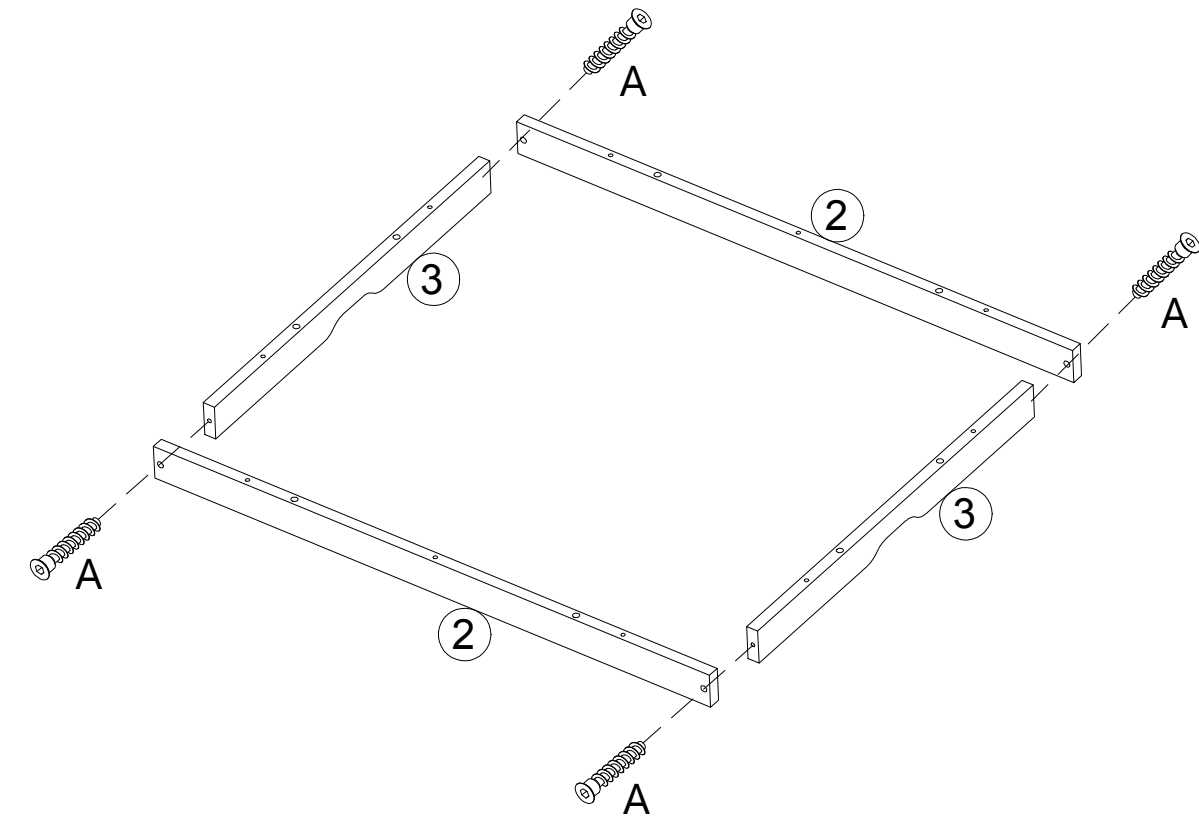
X2

ASSEMBLY INSTRUCTION

Hardware List

M7 x 40mm	Ø8 x 35mm	40 x 40mm	Ø15mm	 4#
				
A	B	C	D	
14+1pcs	8+1pcs	4pcs	4pcs	1pc

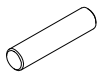
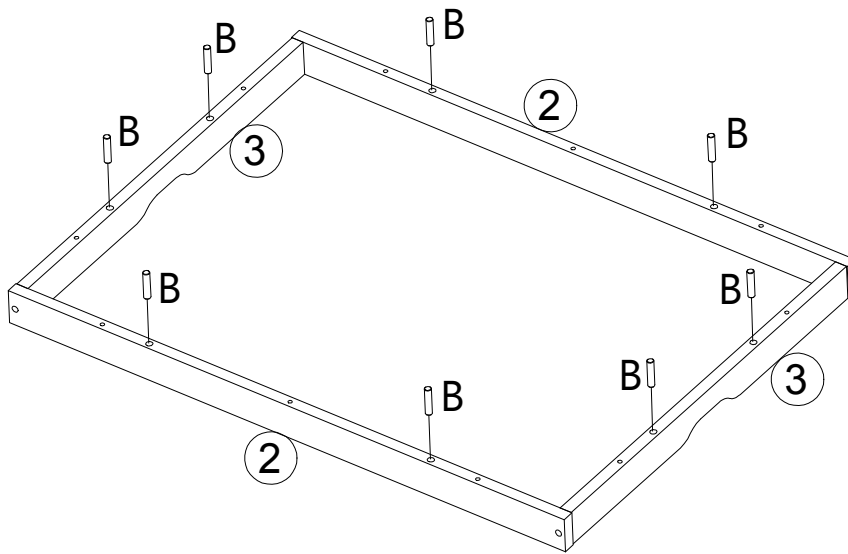
STEP 1




A
4pcs

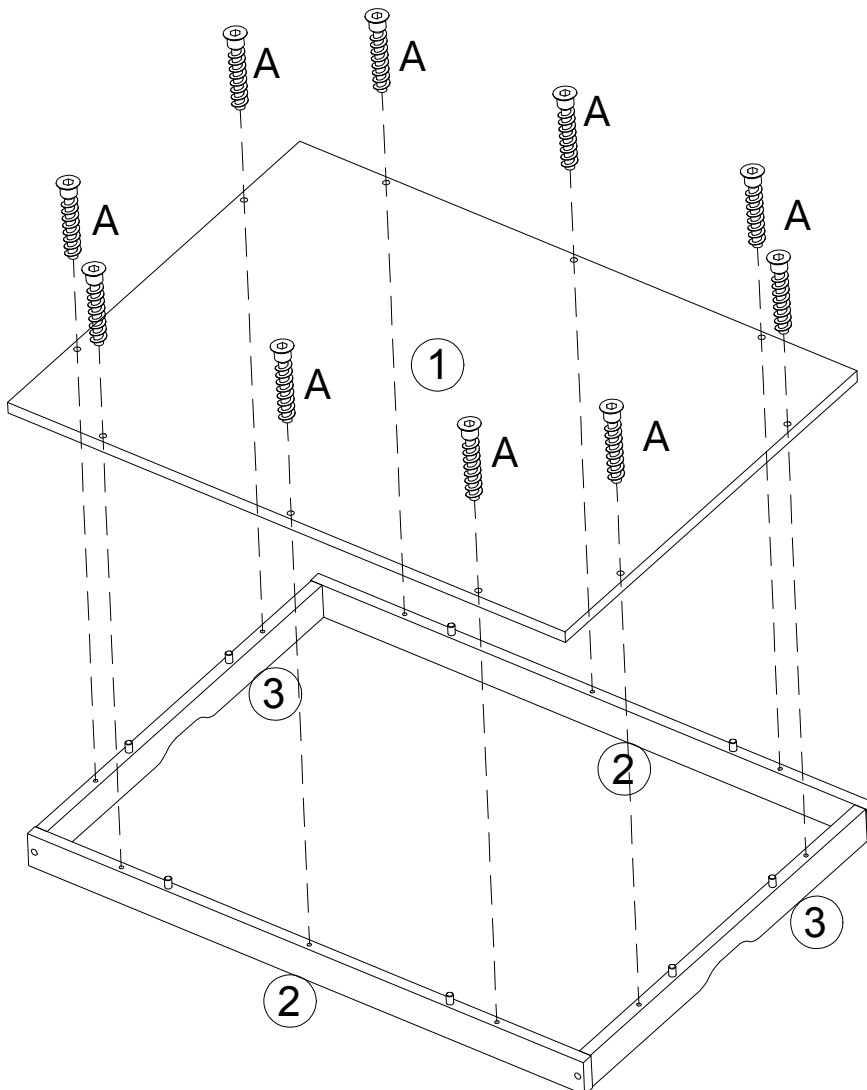
ASSEMBLY INSTRUCTION

STEP 2



B
8pcs

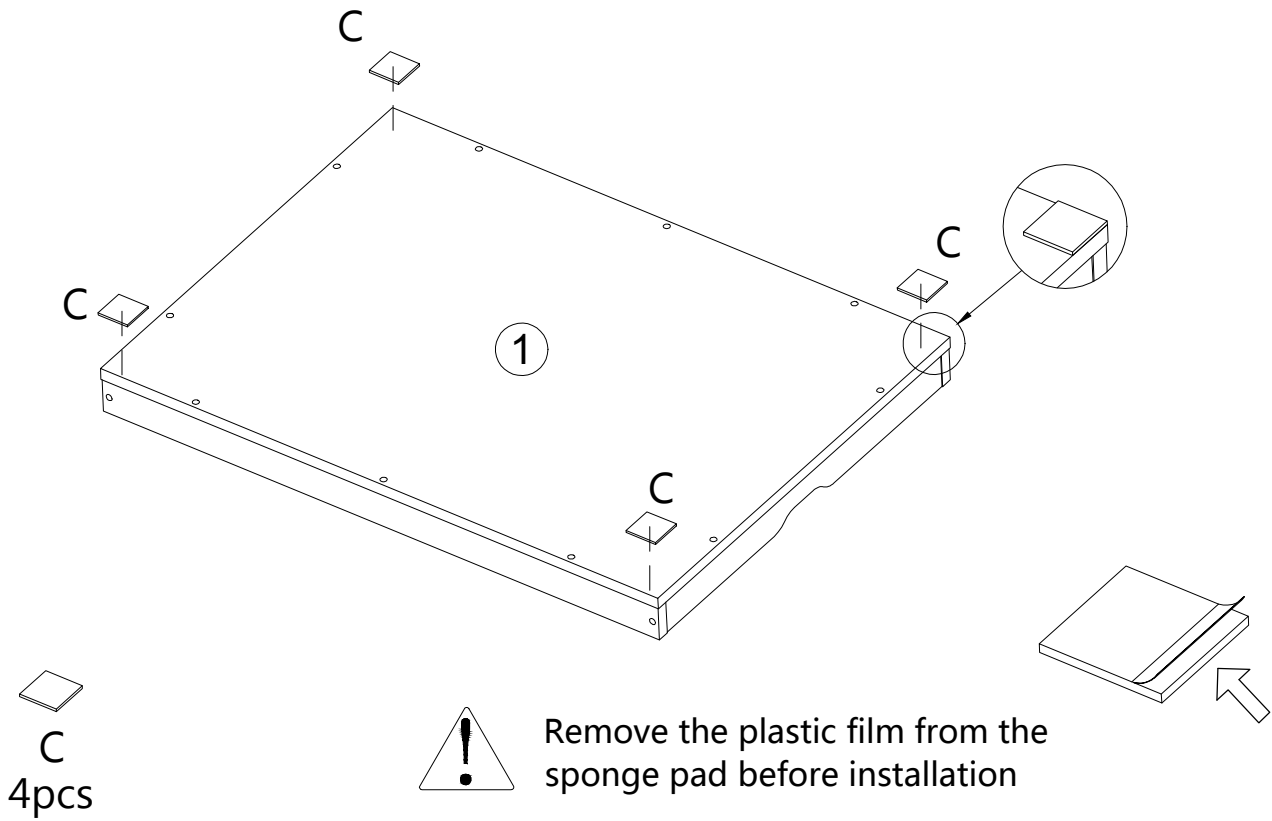
STEP 3



A
10pcs

ASSEMBLY INSTRUCTION

STEP 4



STEP 5

