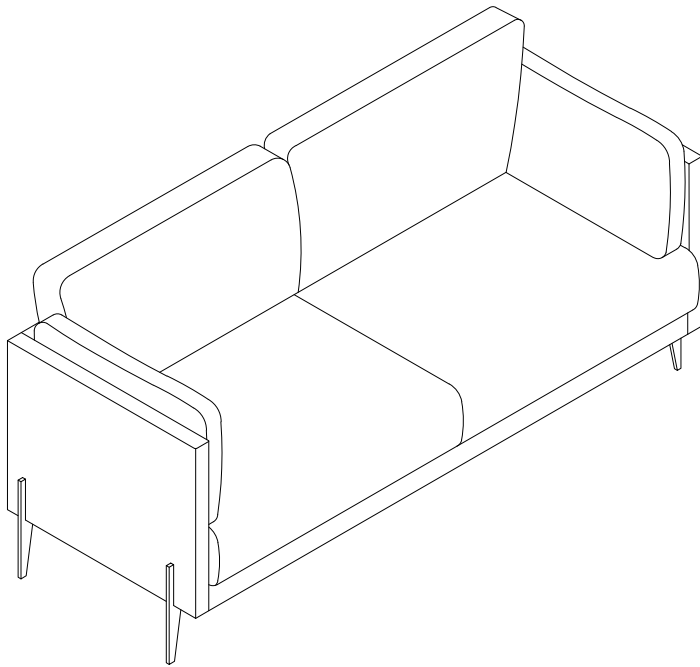


ASSEMBLY INSTRUCTION

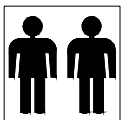


Please **TEAR OFF** this shrink film from side! **DO NOT USE CUTTER!**

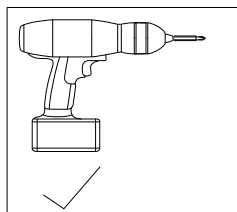
ITEM NUMBER:SOT003

IMPORTANT NOTE

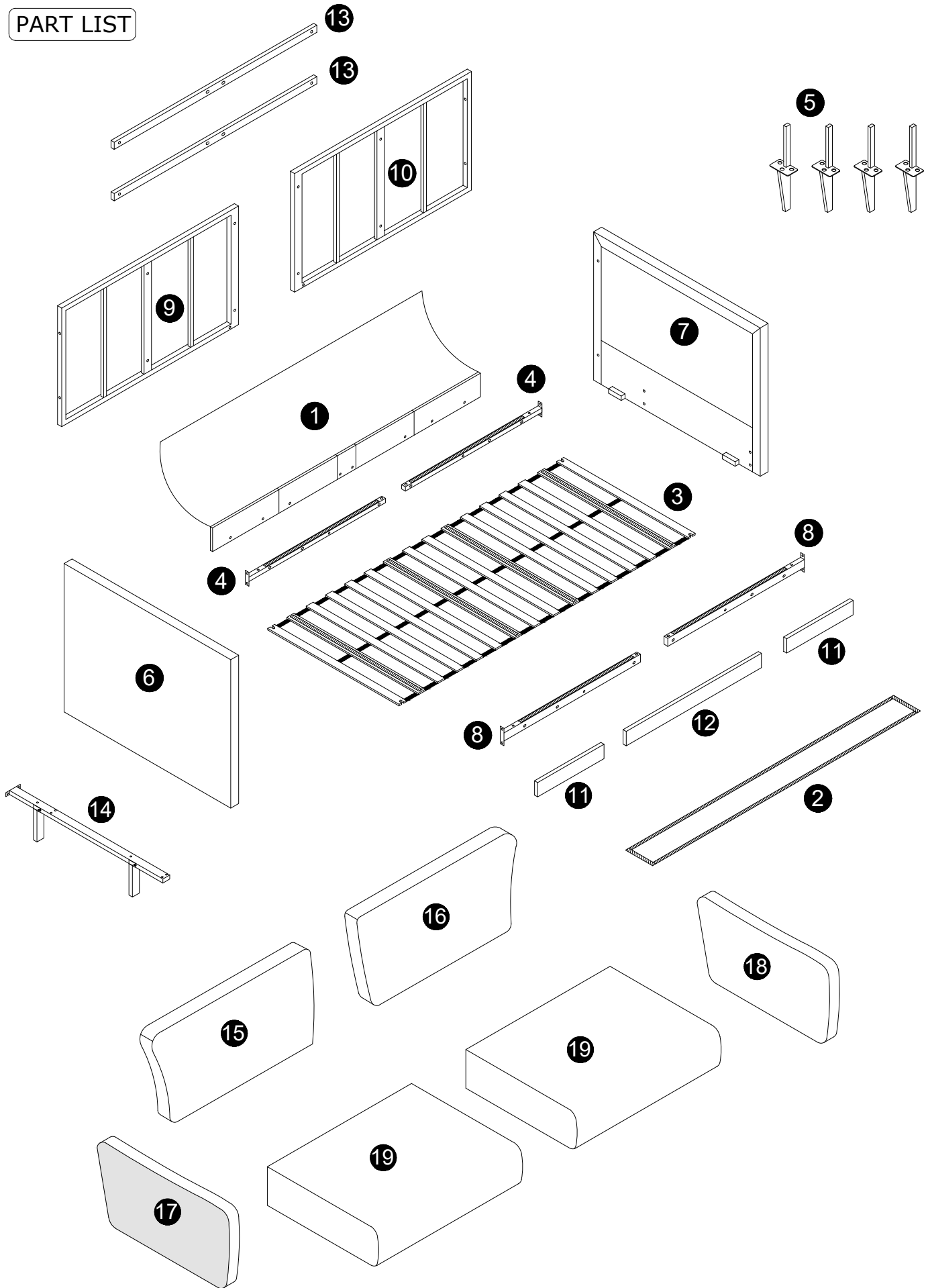
1. For the protection of your furniture, place all parts on a clean and smooth surface to prevent any damage.
2. Keep fittings out of children's reach and keep children well away from construction area.
3. When moving your assembled sofa. it is best to lift the sofa and never to drag it.
4. Do not use this product if parts are missing, damaged or worn.
5. This product should only be used on firm, level ground.
6. Please periodically check all fittings and re-tighten as necessary.
7. Do not use the sofa unless all bolts and screws are firmly secured.
8. For further assistance, please provide a screenshot of your order and contact us via email at support@velocavabed.com



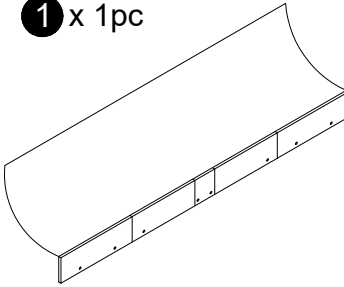
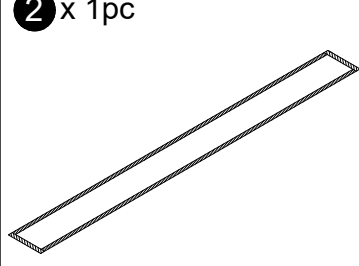
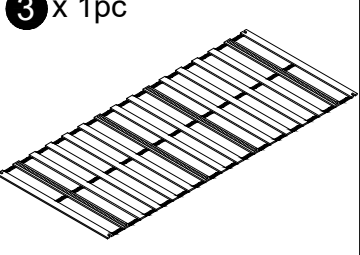
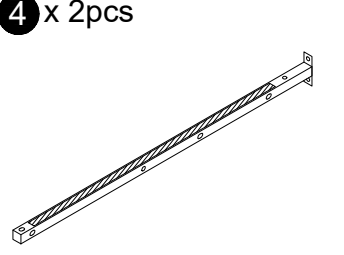
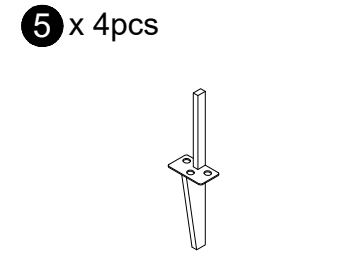
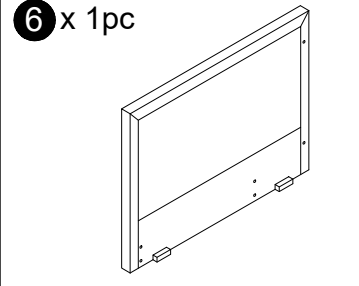
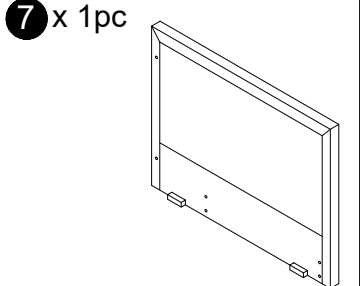
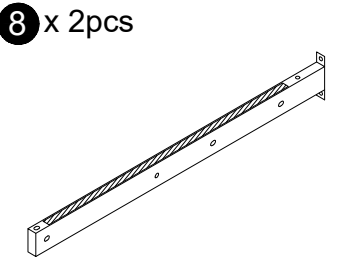
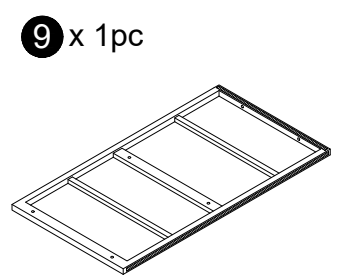
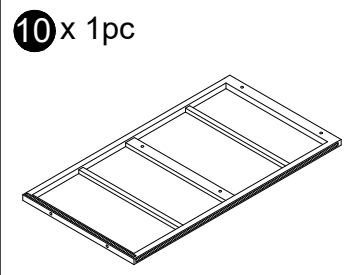
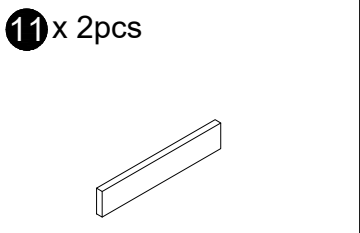
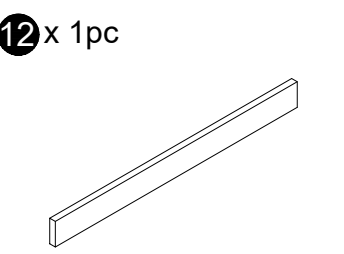
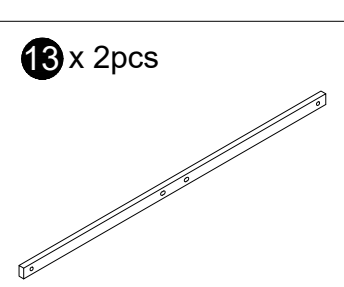
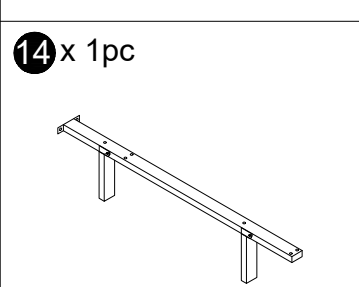
Minimum two person assembly



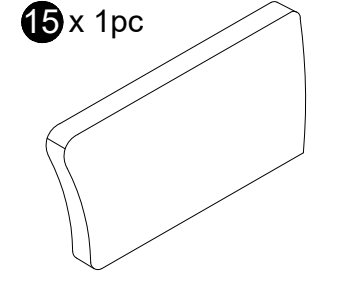
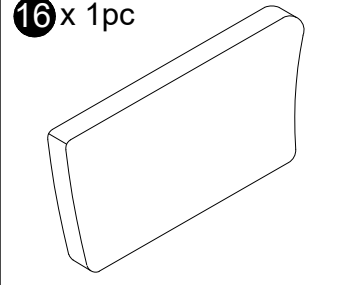
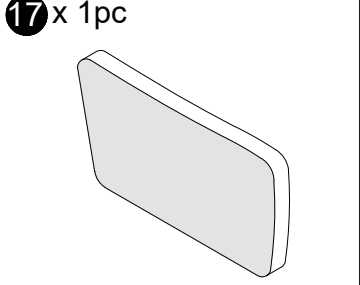
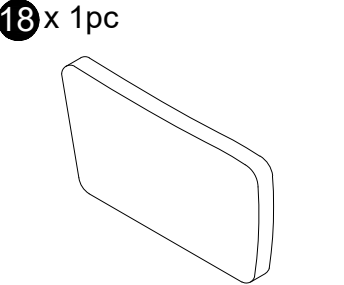
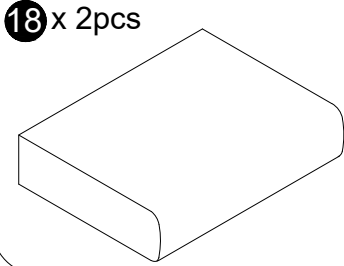
PART LIST



Components of Carton A


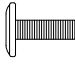
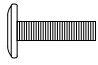


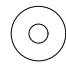

1 x 1pc 	2 x 1pc 	3 x 1pc 	4 x 2pcs 
5 x 4pcs 	6 x 1pc 	7 x 1pc 	8 x 2pcs 
9 x 1pc 	10 x 1pc 	11 x 2pcs 	12 x 1pc 
13 x 2pcs 	14 x 1pc 		

Components of Carton B

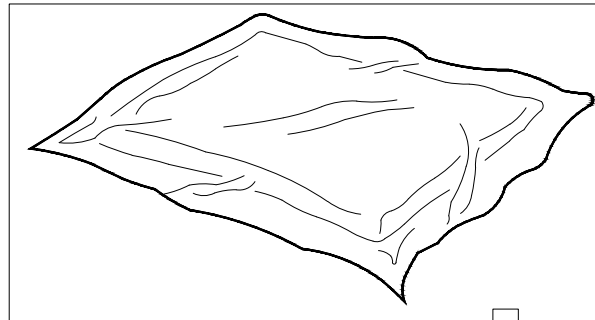
15 x 1pc 	16 x 1pc 	17 x 1pc 	18 x 1pc 
18 x 2pcs 			

Please ensure to thoroughly inspect the small inner cardboard box containing the hardware, which are tied with a red string, before disposing of the box.

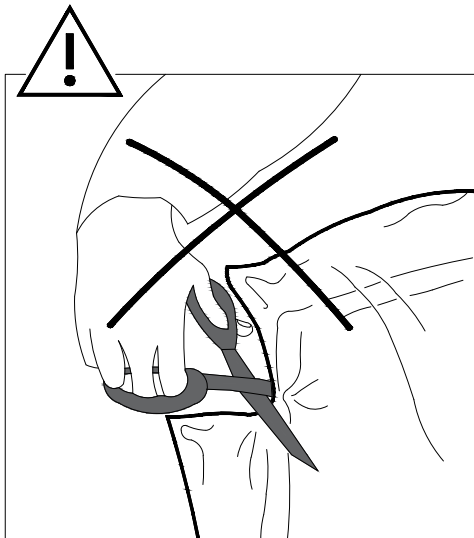
HARDWARE LIST

 H1 M5 x 1pc	 H2 M8x25mm x 22pcs	 H3 M8x30mm x 12pcs	 H4 M8x45mm x 24pcs
 H5 M8 x 32pcs	 H6 M8x22mm x 32pcs	 H7 M8x60mm x 2pcs	

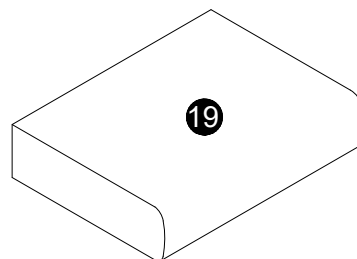
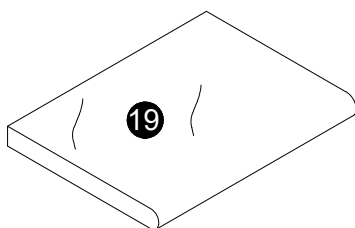
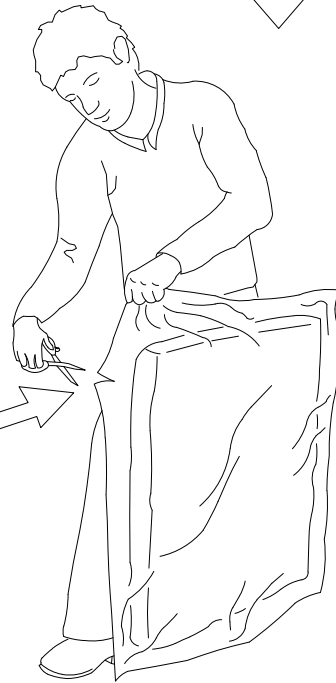
1



- 15** x1
- 16** x1
- 17** x1
- 18** x1
- 19** x2

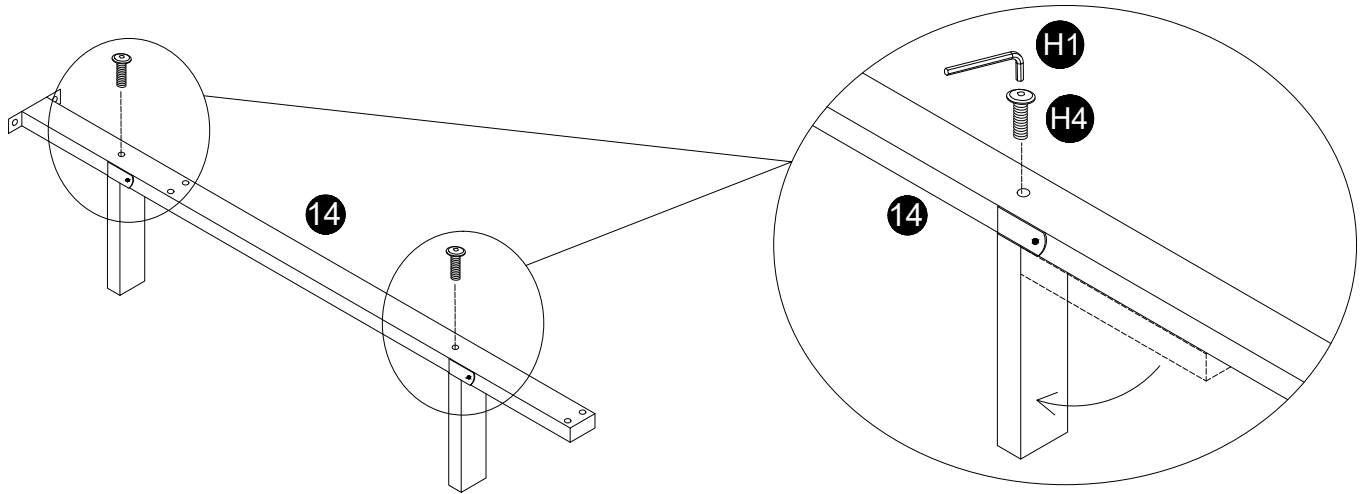


Open the vacuum-sealed bag, let the pillow expand and become fluffy, and be careful not to damage the pillow.



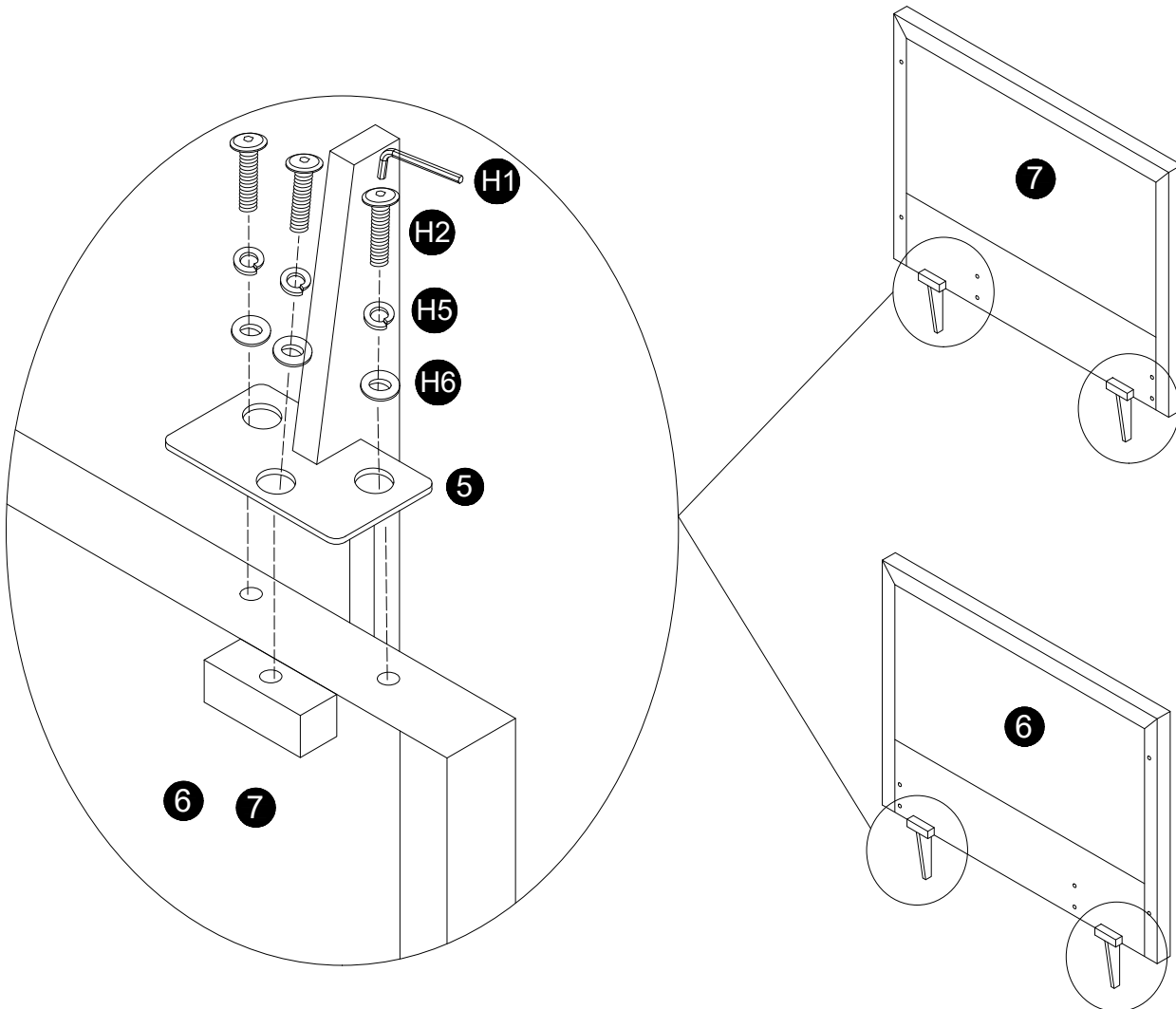
48h

2

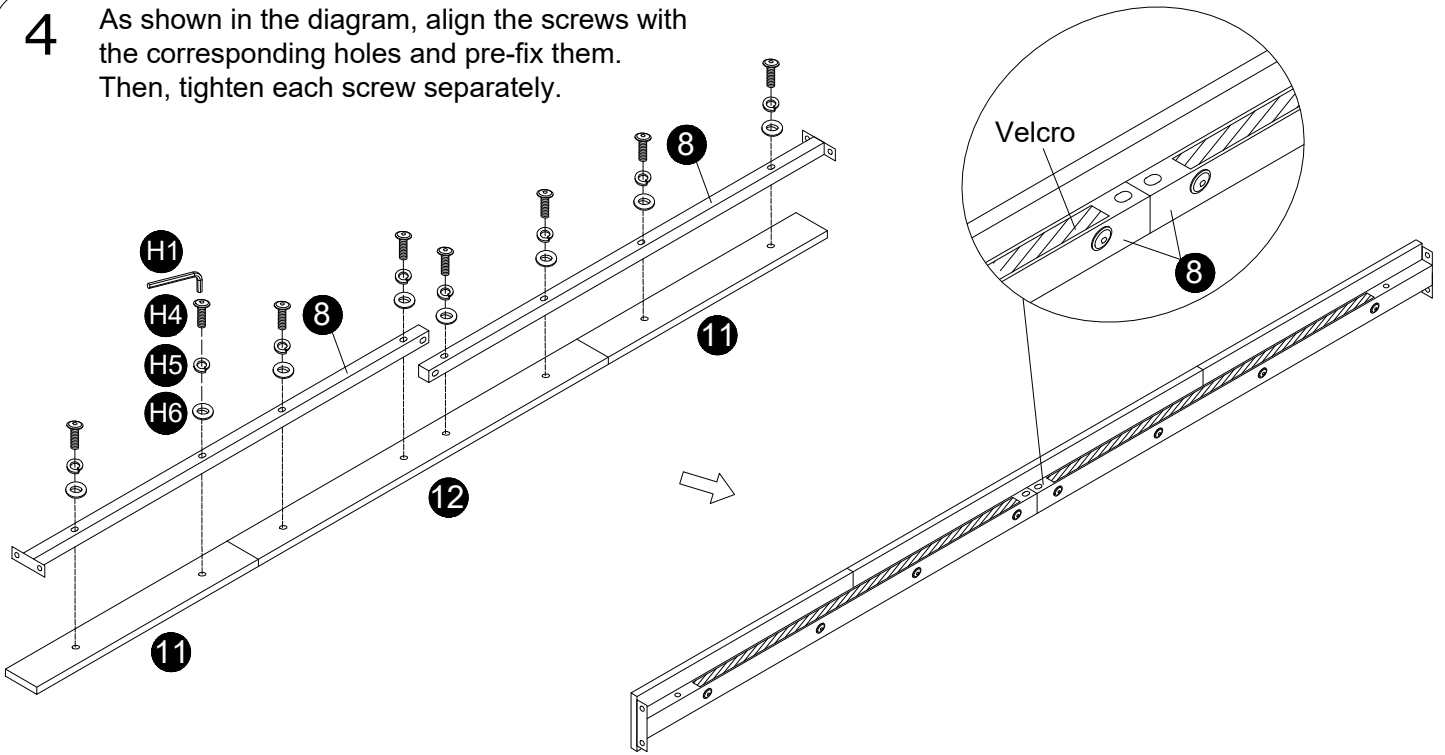


3

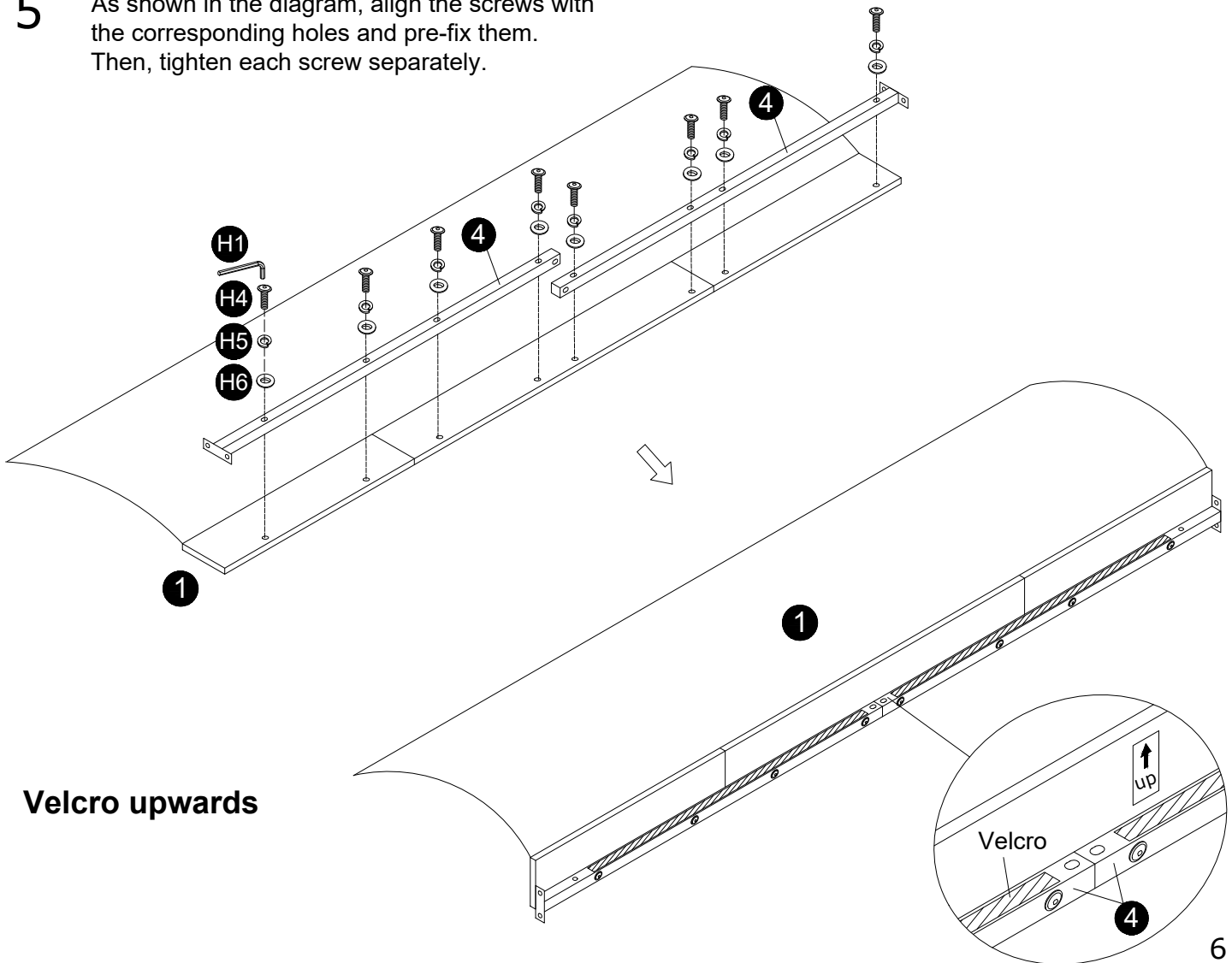
As shown in the diagram, align the screws with the corresponding holes and pre-fix them. Then, tighten each screw separately.



- 4** As shown in the diagram, align the screws with the corresponding holes and pre-fix them. Then, tighten each screw separately.

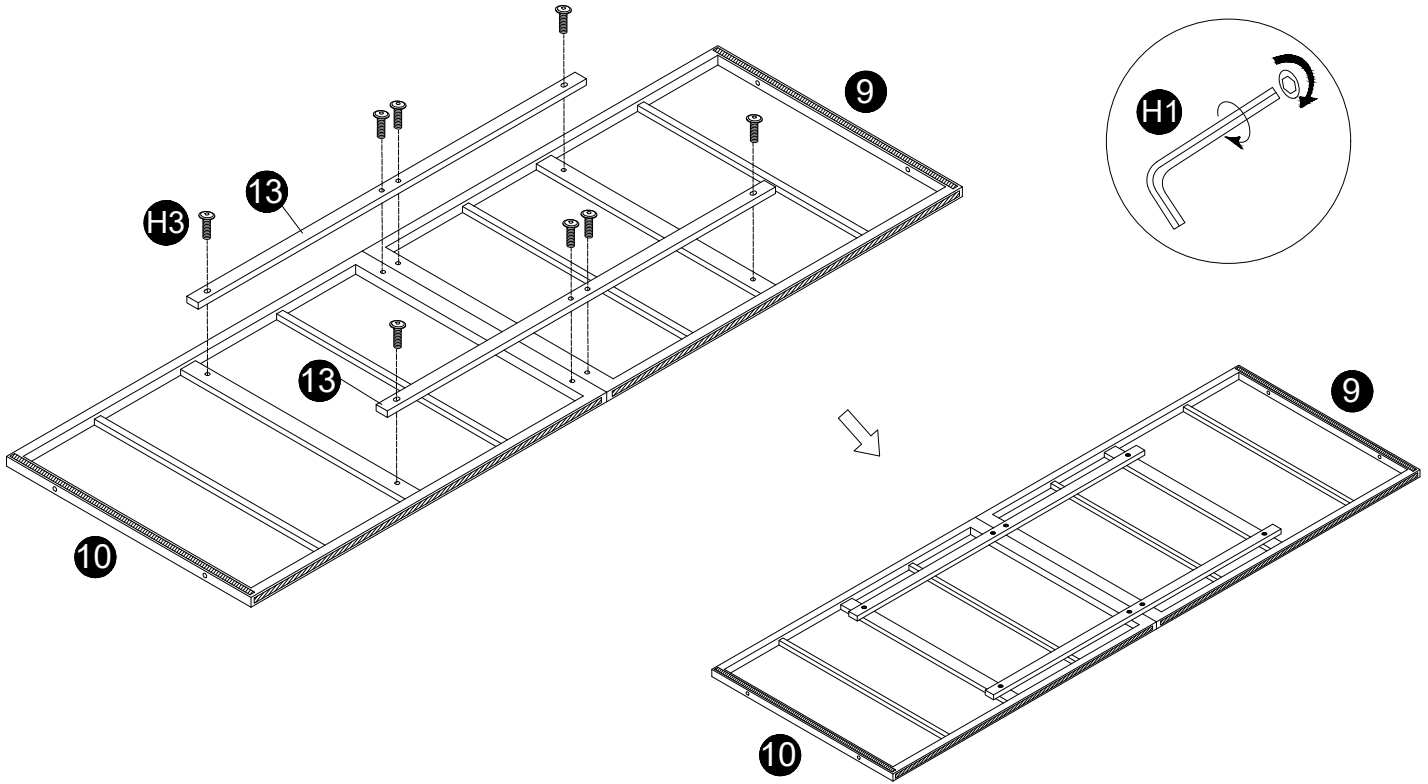


- 5** As shown in the diagram, align the screws with the corresponding holes and pre-fix them. Then, tighten each screw separately.

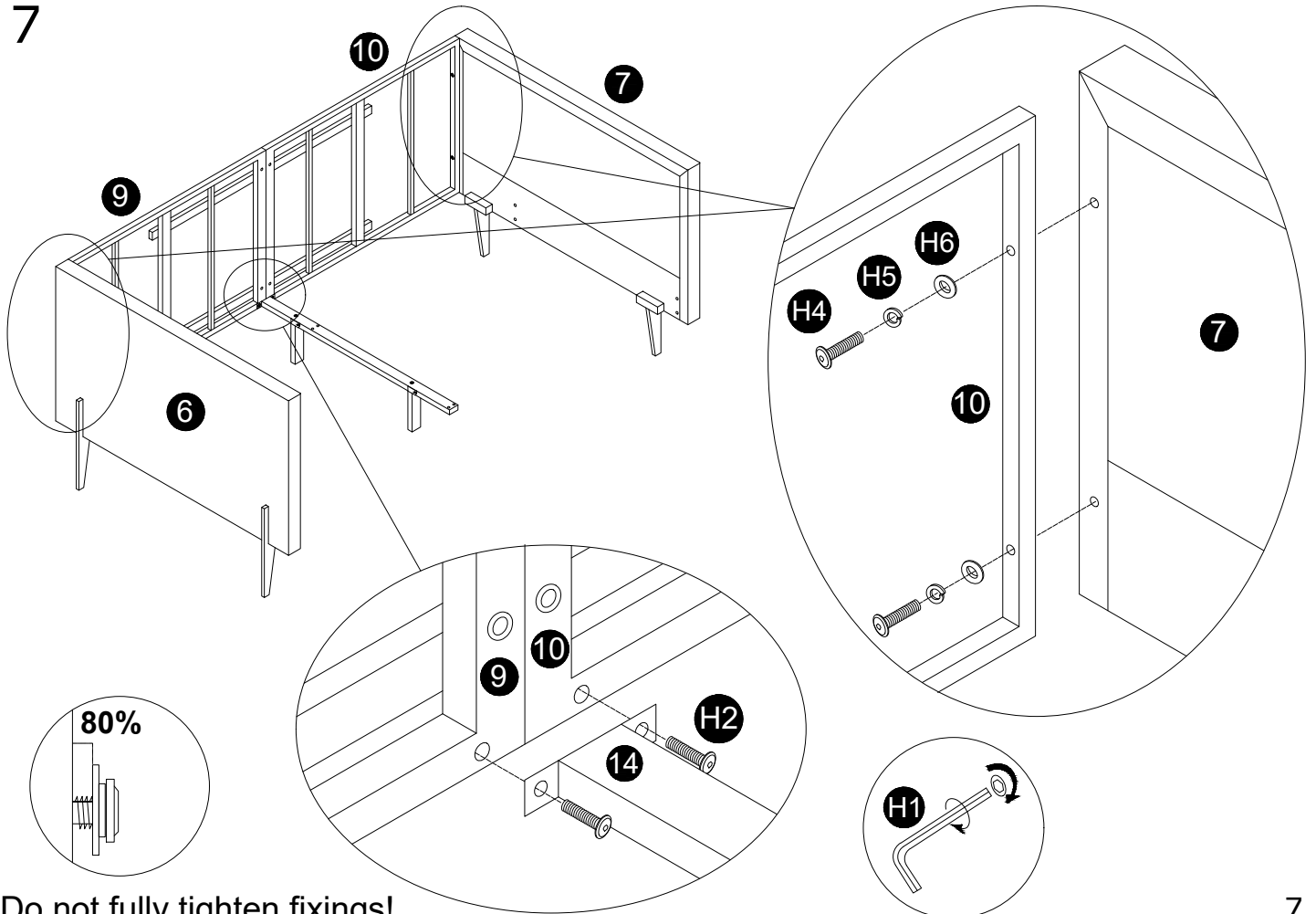


6

As shown in the diagram, align the screws with the corresponding holes and pre-fix them. Then, tighten each screw separately.

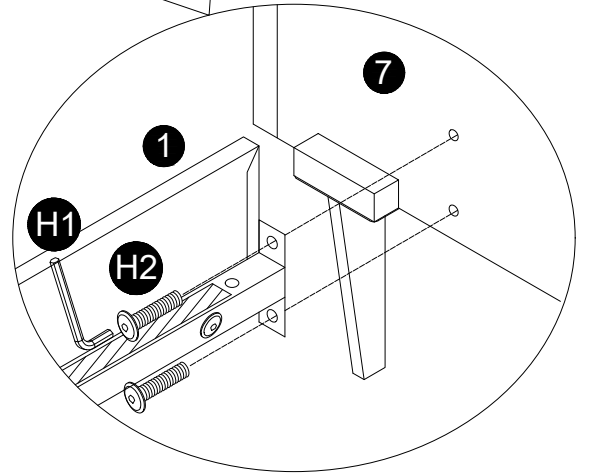
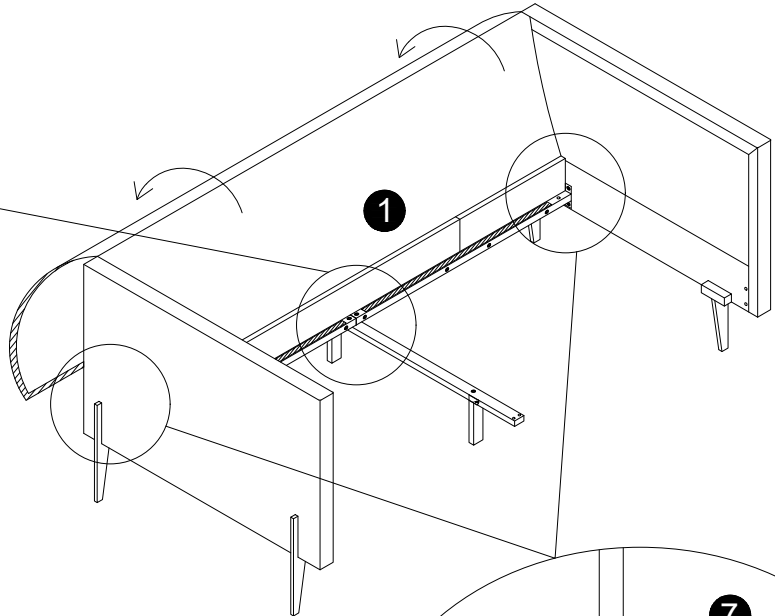
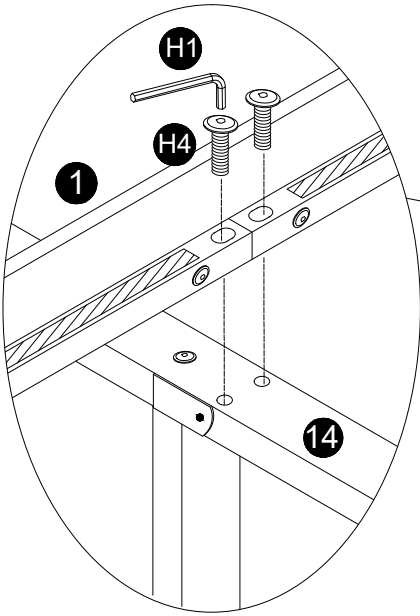


7

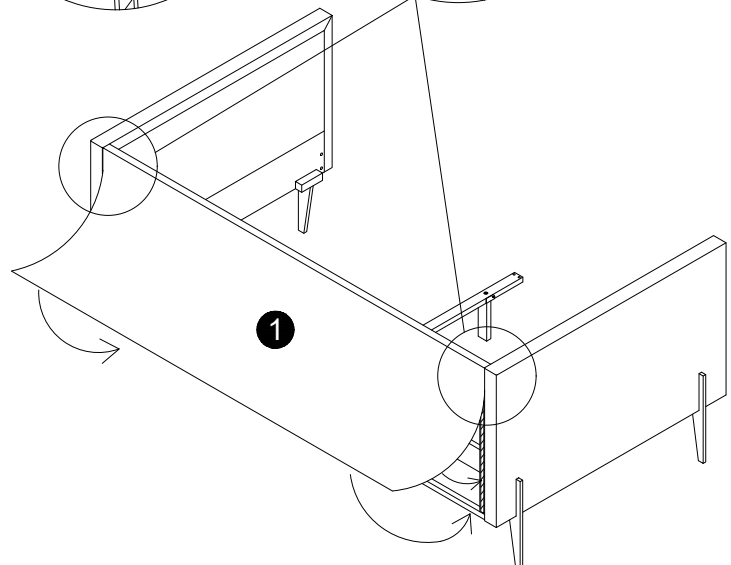
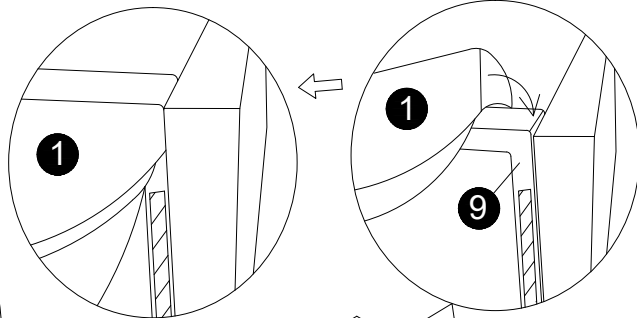
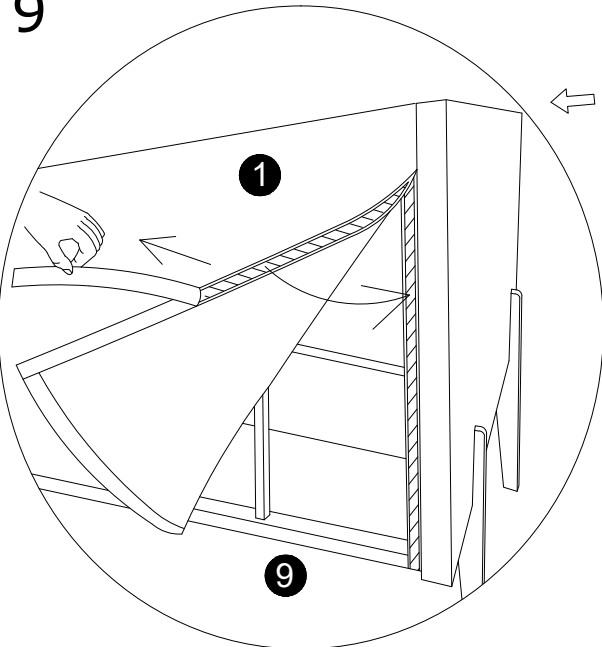


Do not fully tighten fixings!

8

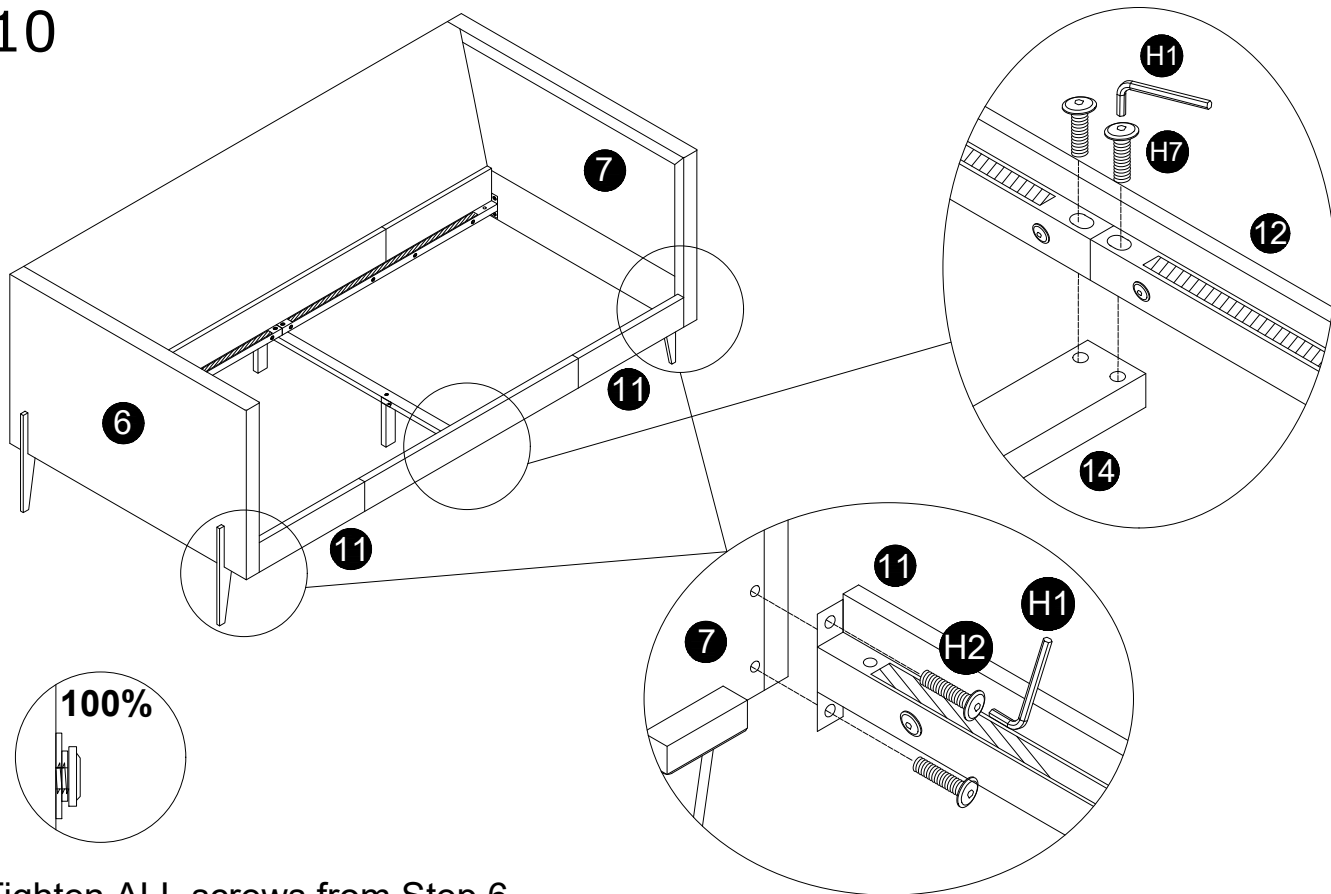


9



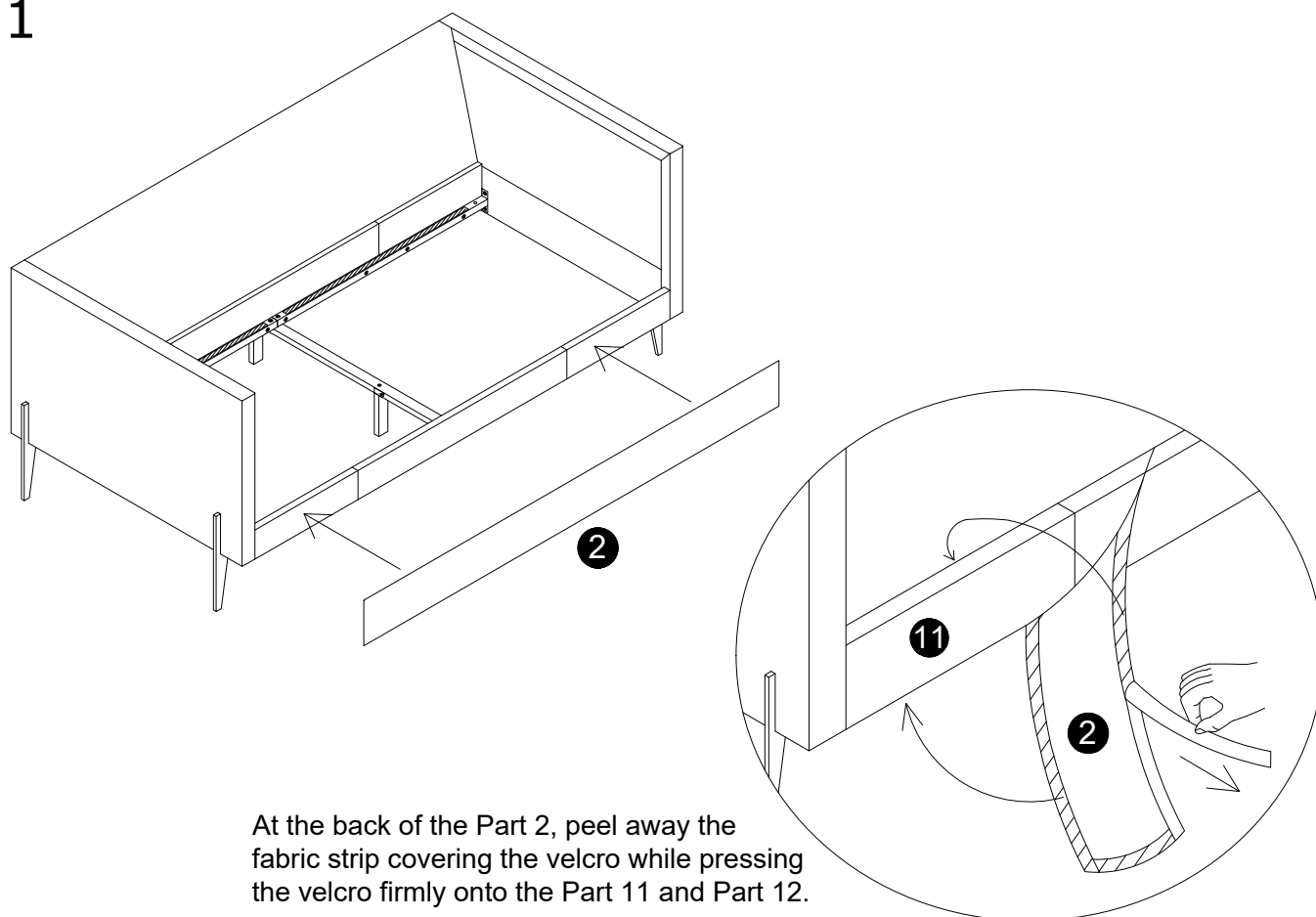
At the back of the Part 1, peel away the fabric strip covering the velcro while pressing the velcro firmly onto the Part 9 and Part 10.

10



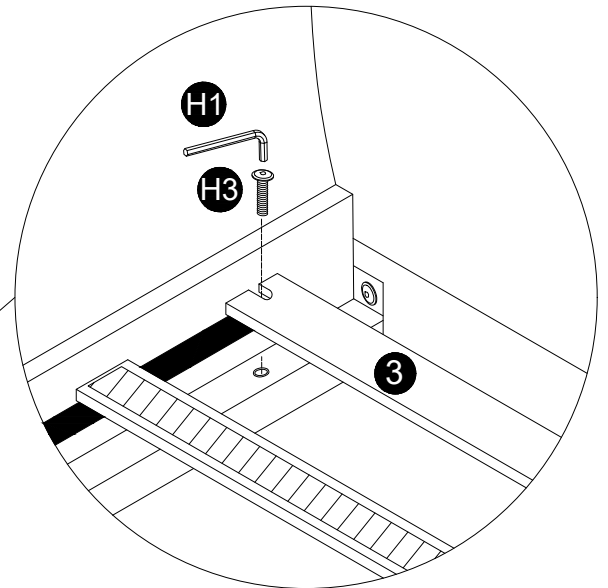
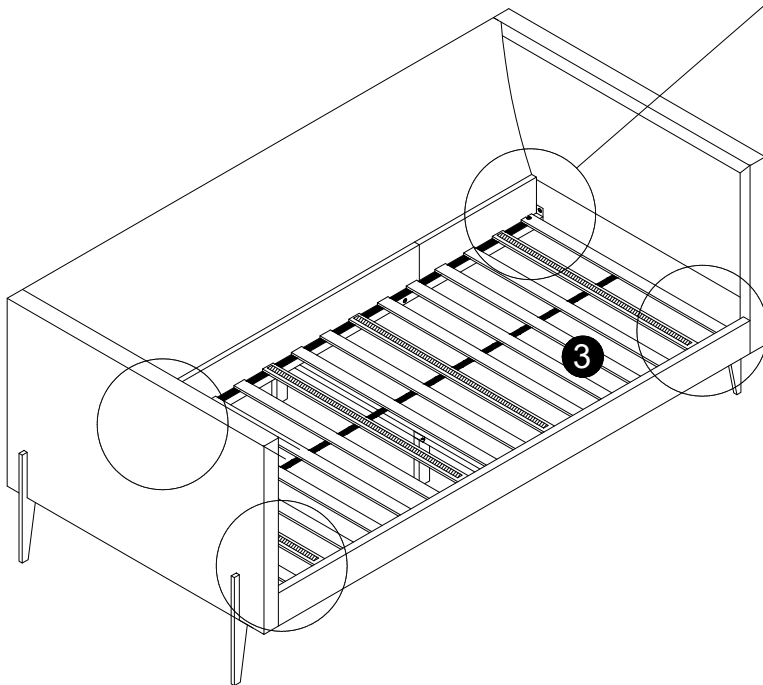
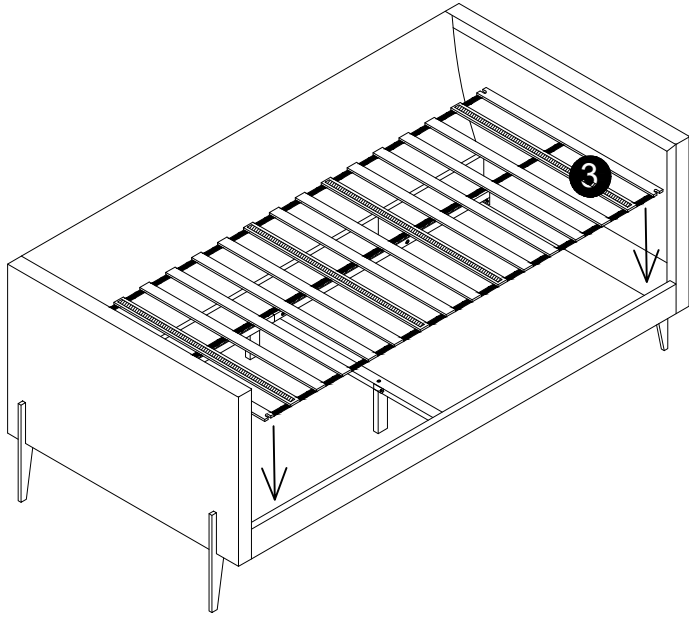
Tighten ALL screws from Step 6.

11

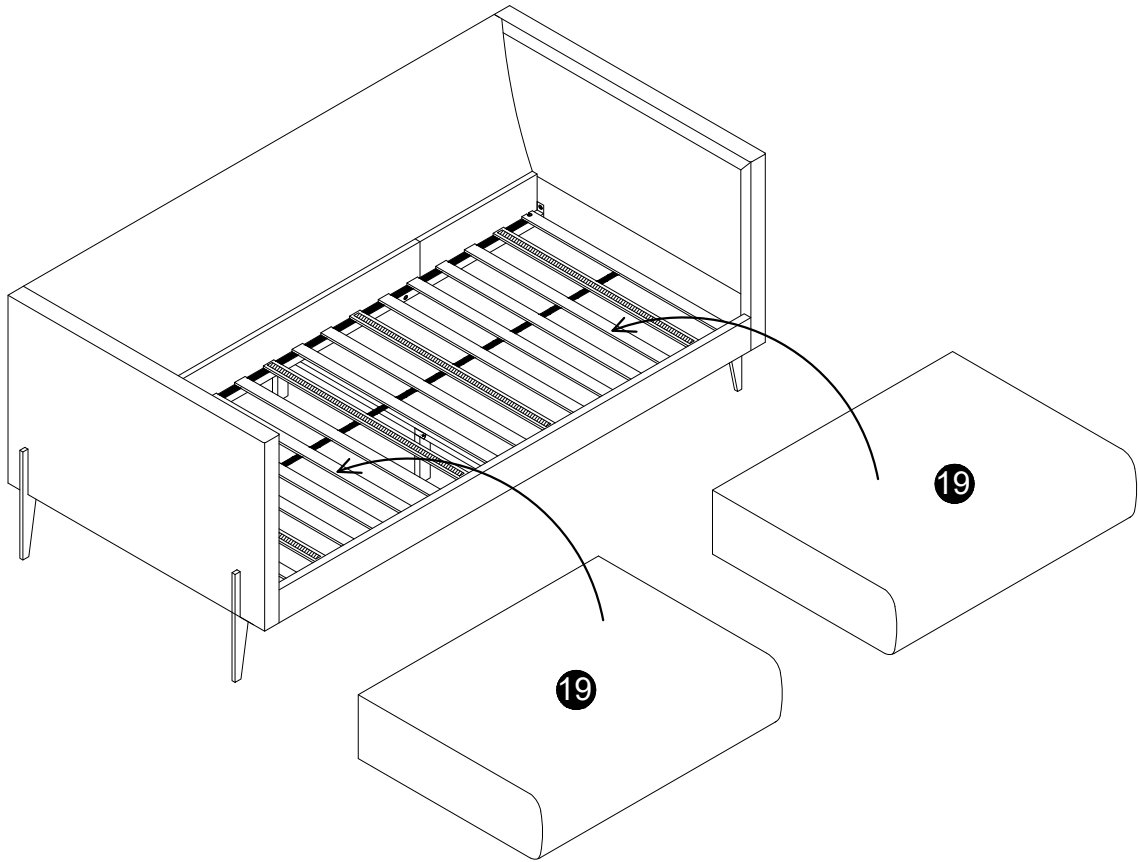


At the back of the Part 2, peel away the fabric strip covering the velcro while pressing the velcro firmly onto the Part 11 and Part 12.

12



13



14

