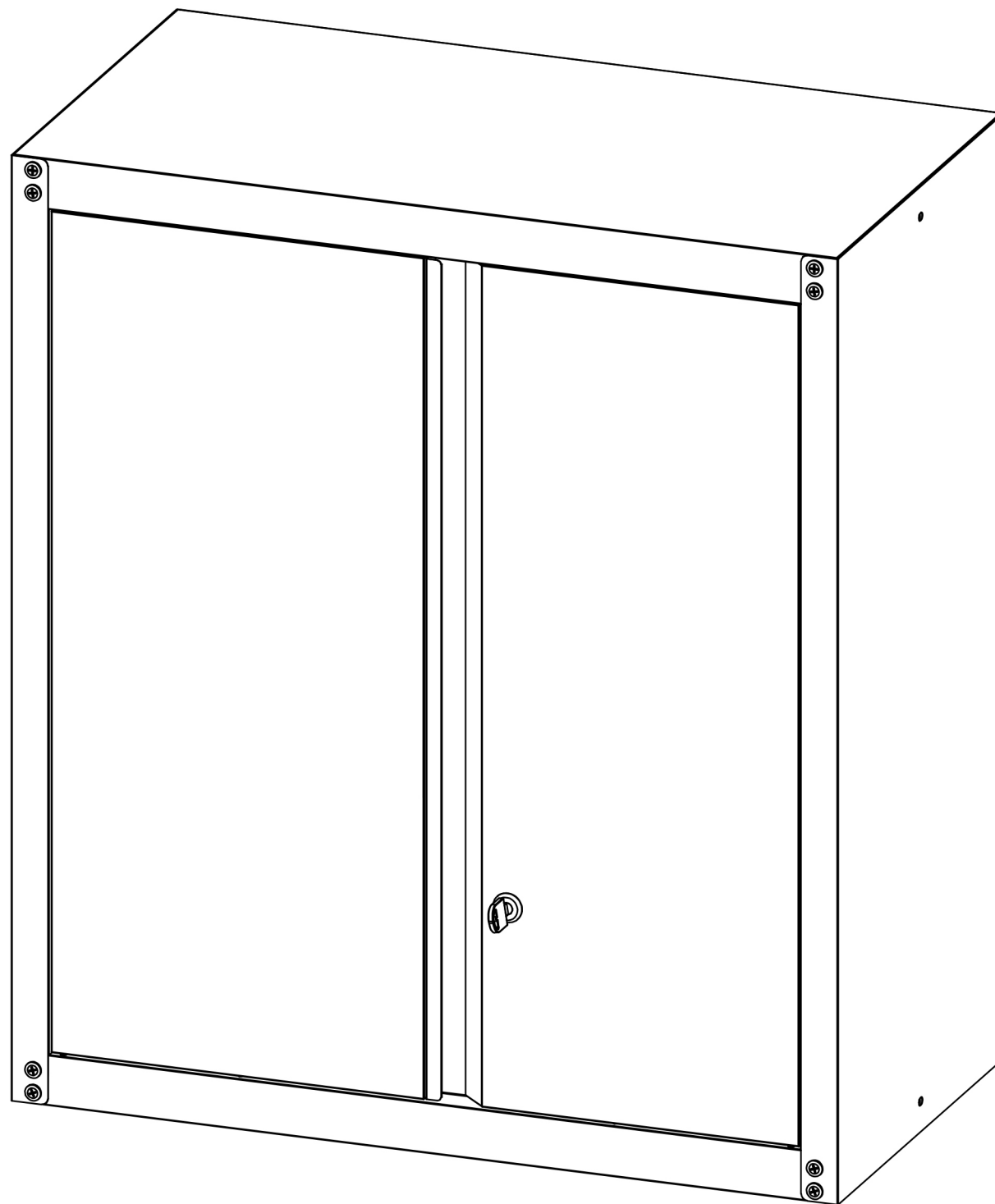
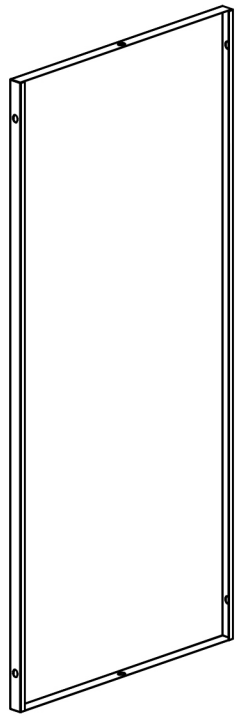


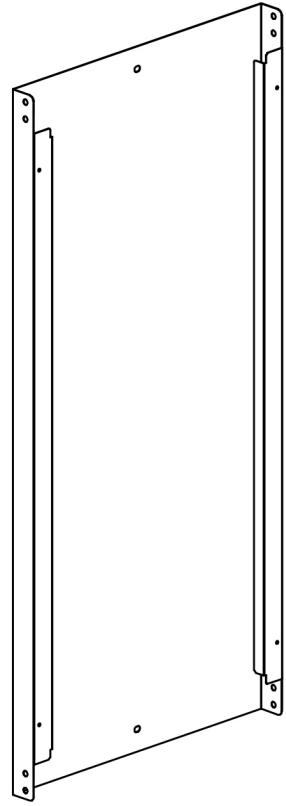
WALL CABINET ASSEMBLY INSTRUCTIONS



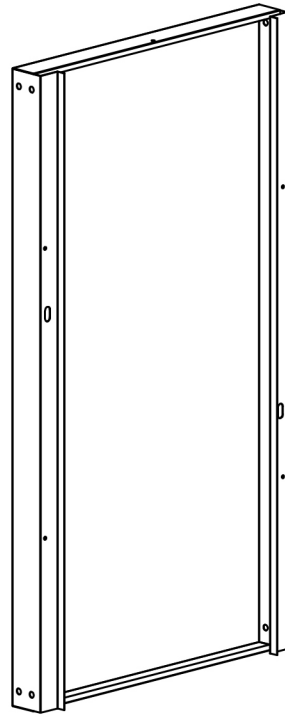
**Please scan the QR
code to check the
assemble video**



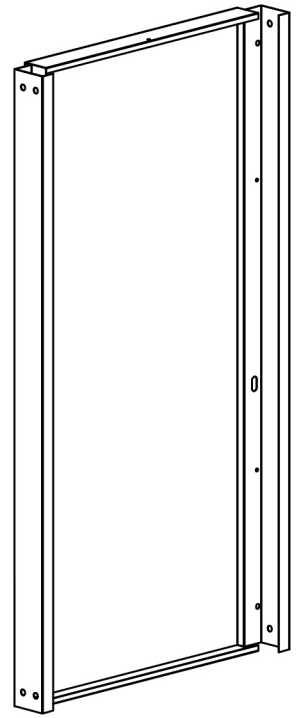
A: Back plate *2



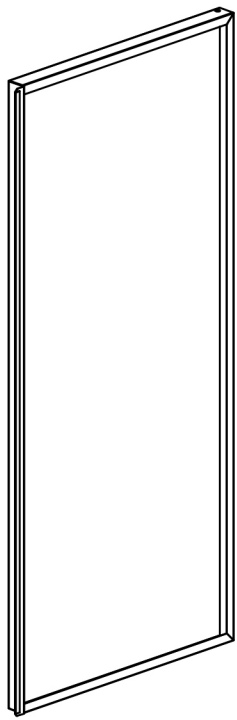
B: Side plate *2



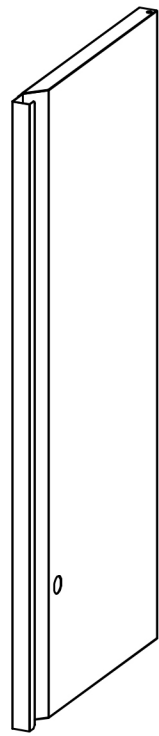
C: Roof plate



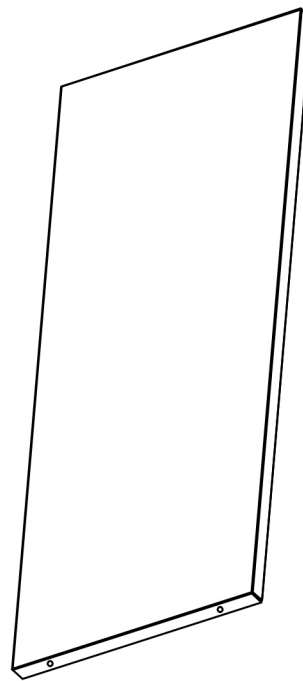
D: Base plate



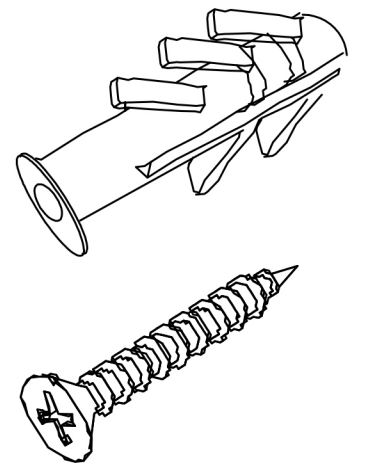
L: Left door



R: Right door



E: Shelving

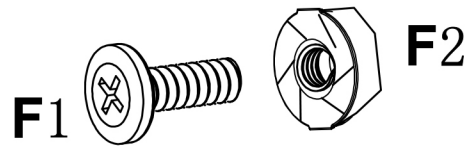


K: Expansion screw *4



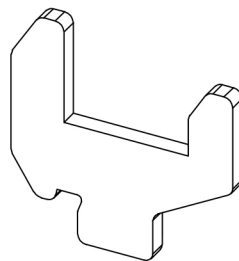
4. 2mm × 10mm

G: Self-tapping screw 12 pcs



6mm × 25mm

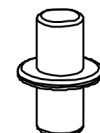
F: Screw 18 pcs



H: Shelving bracket 4 pcs

0. 8mm × 9. 5mm

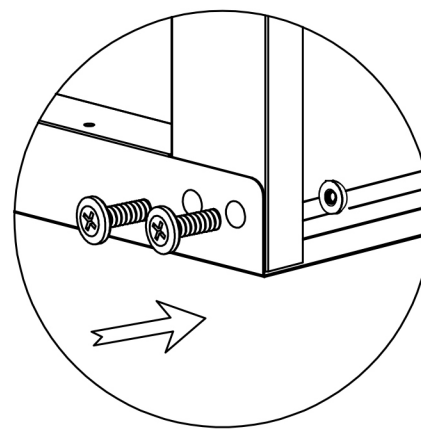
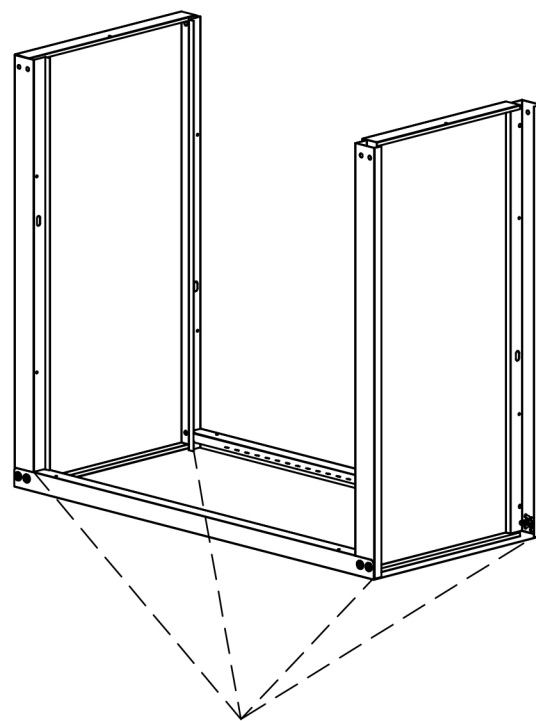
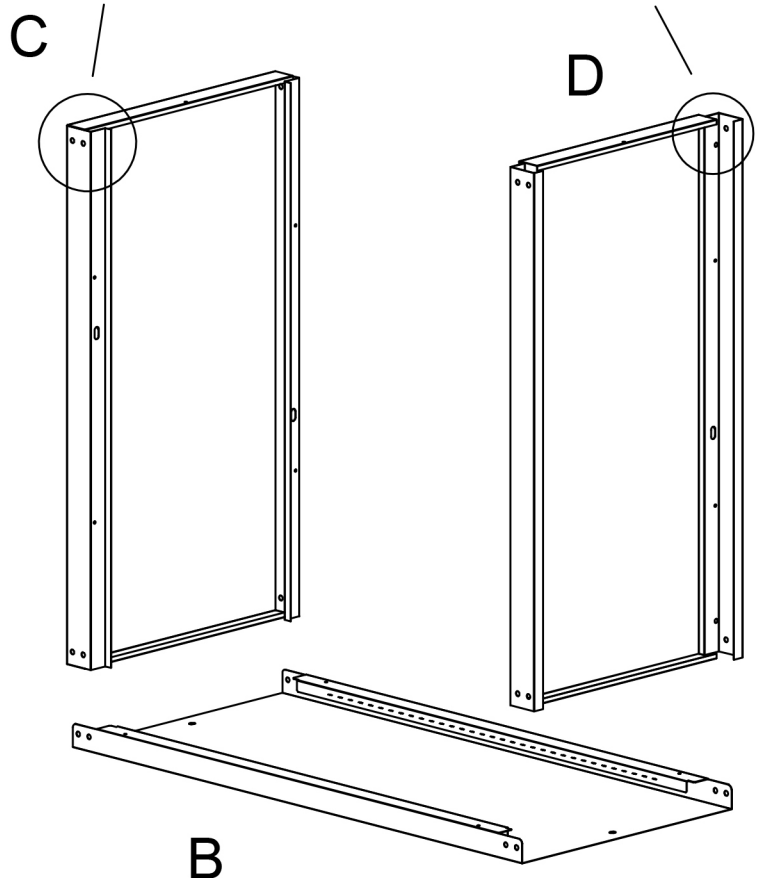
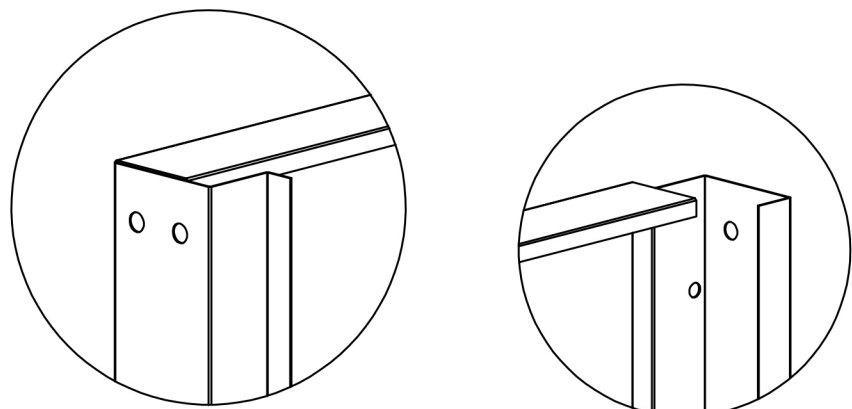
Door-hinge pad 2 pcs



5mm × 24. 5mm

J: Door-hinge 2pcs

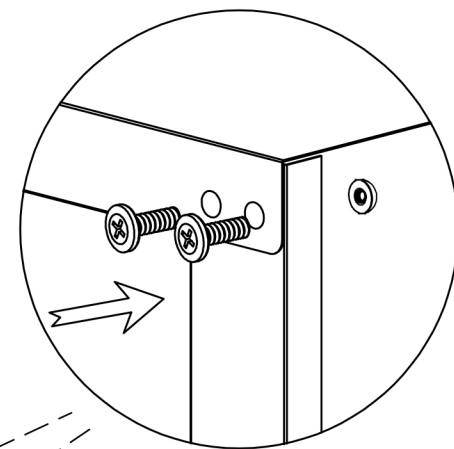
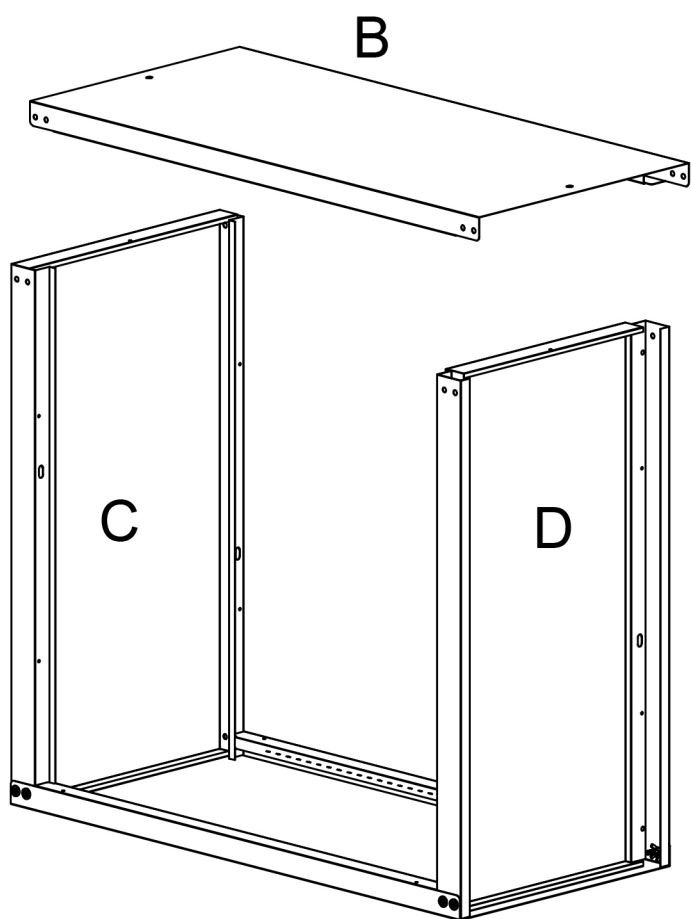
Connect C and D to side plate B.
Align with the corresponding screw holes.
Then secured with 8 pcs screws F.



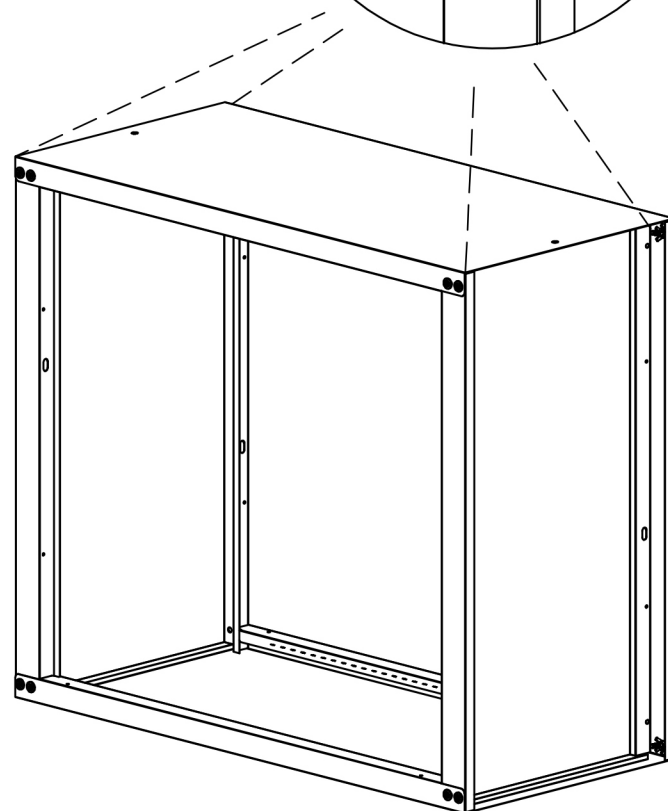
Attention: Don't tighten the screws until after the cabinet has been installed

1. Installation of roof and base plates

Connect B with C, D. Align with the corresponding screw holes.
Then secured with 8 pcs screws F

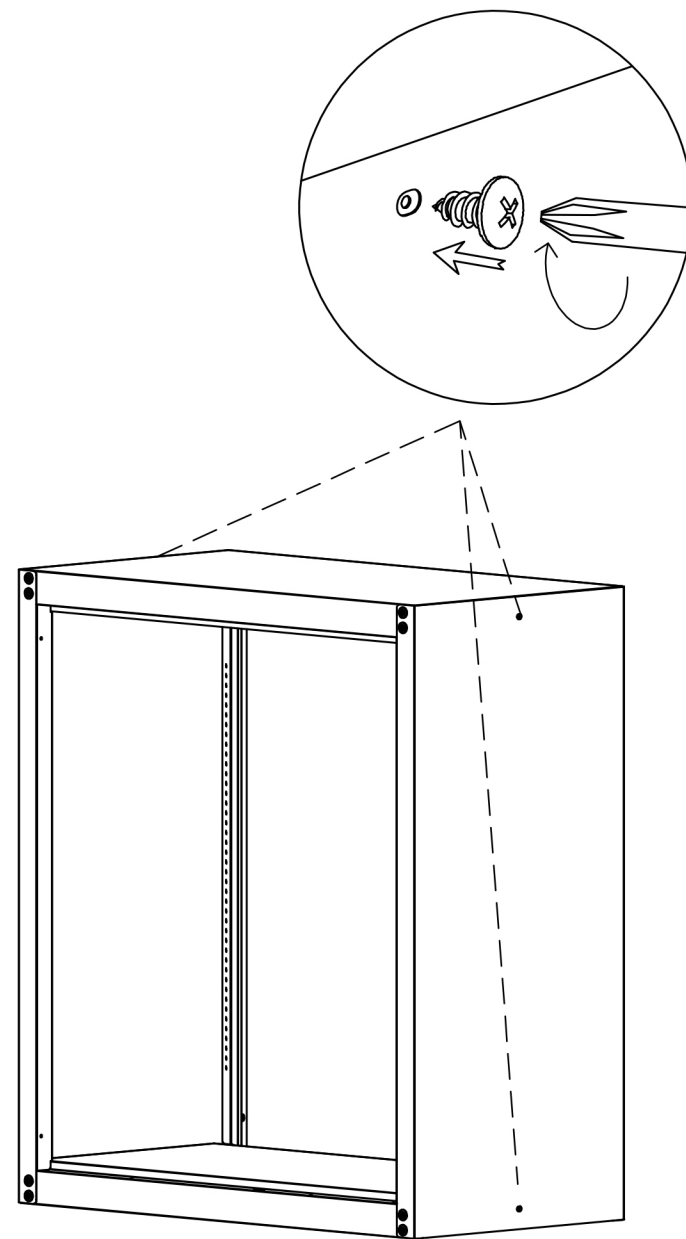
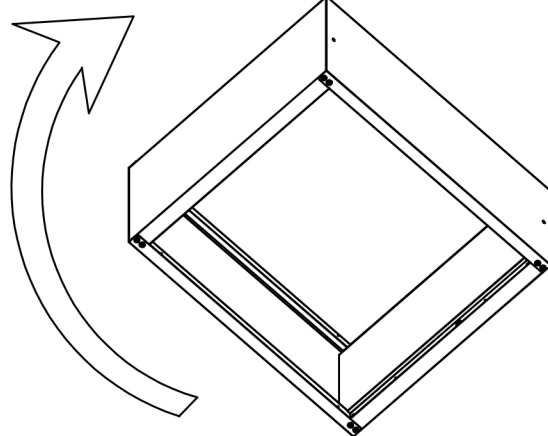
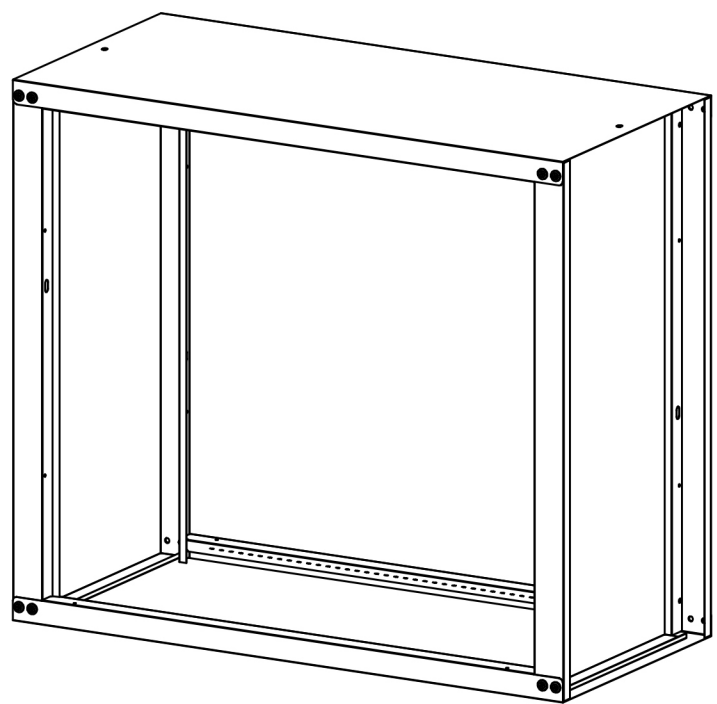


Attention: Don't tighten the screws until after the cabinet has been installed



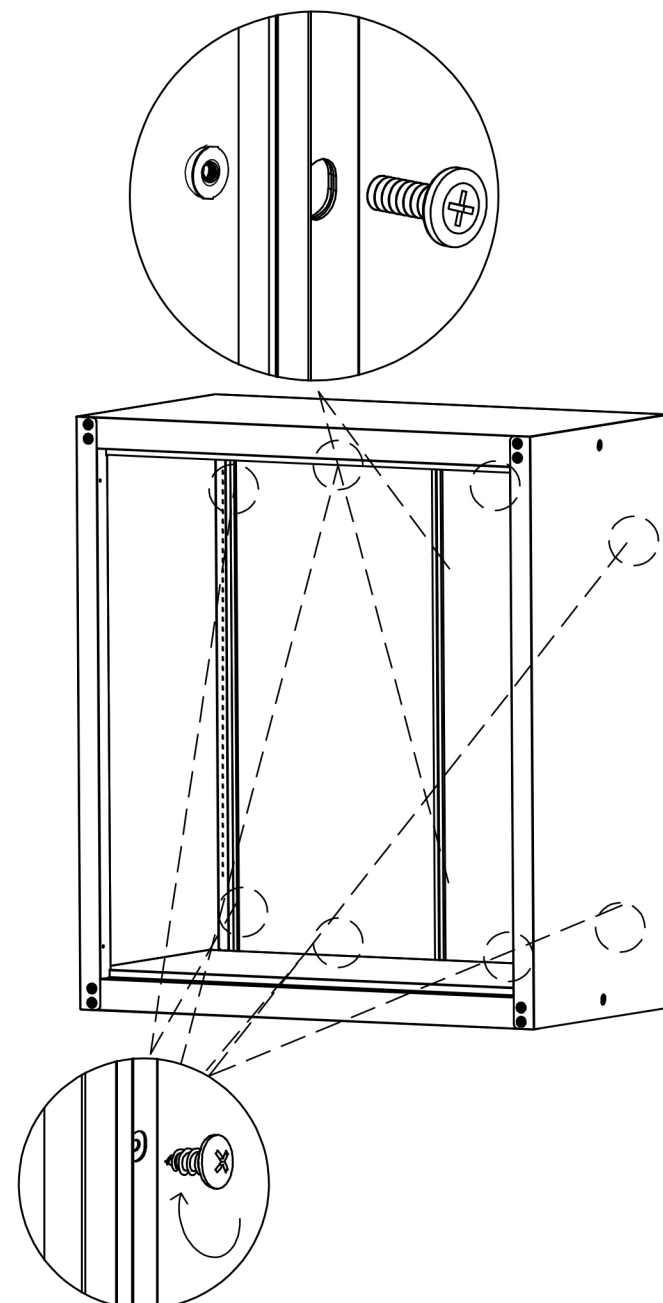
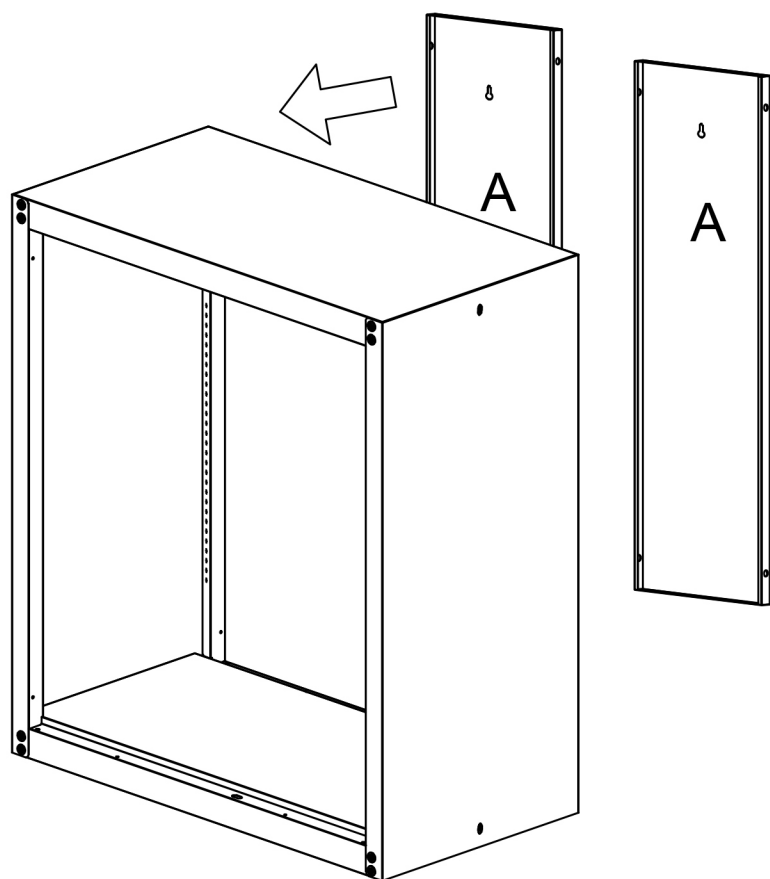
2. Installation of right side plate

As shown, turn the cabinet 90 degrees to face up



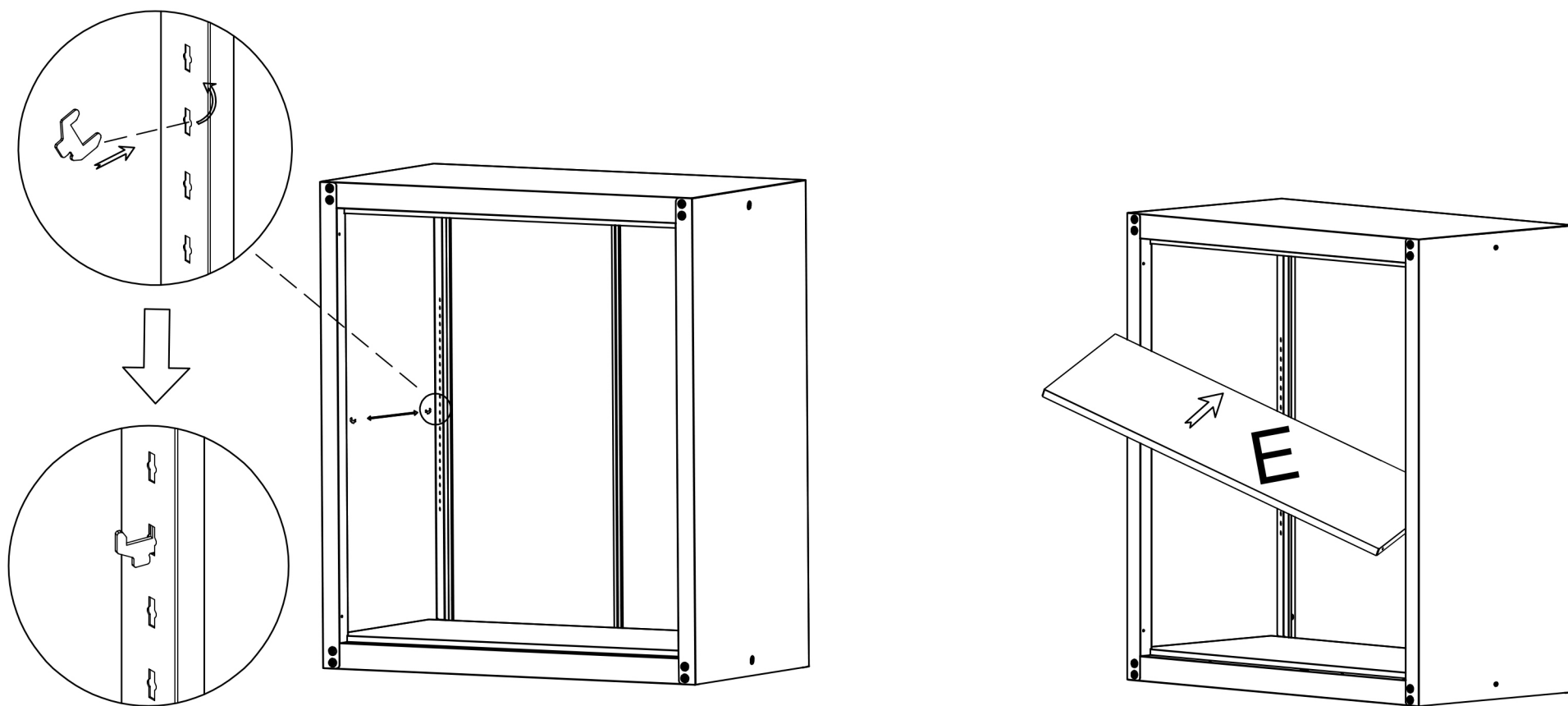
3.Right the cabinet

Link A with roof, base, left and right side plate.
Align with the corresponding screw holes.
Then secured with 8 pcs 4.2 x 10 screw G.
Link between A with two screws F.



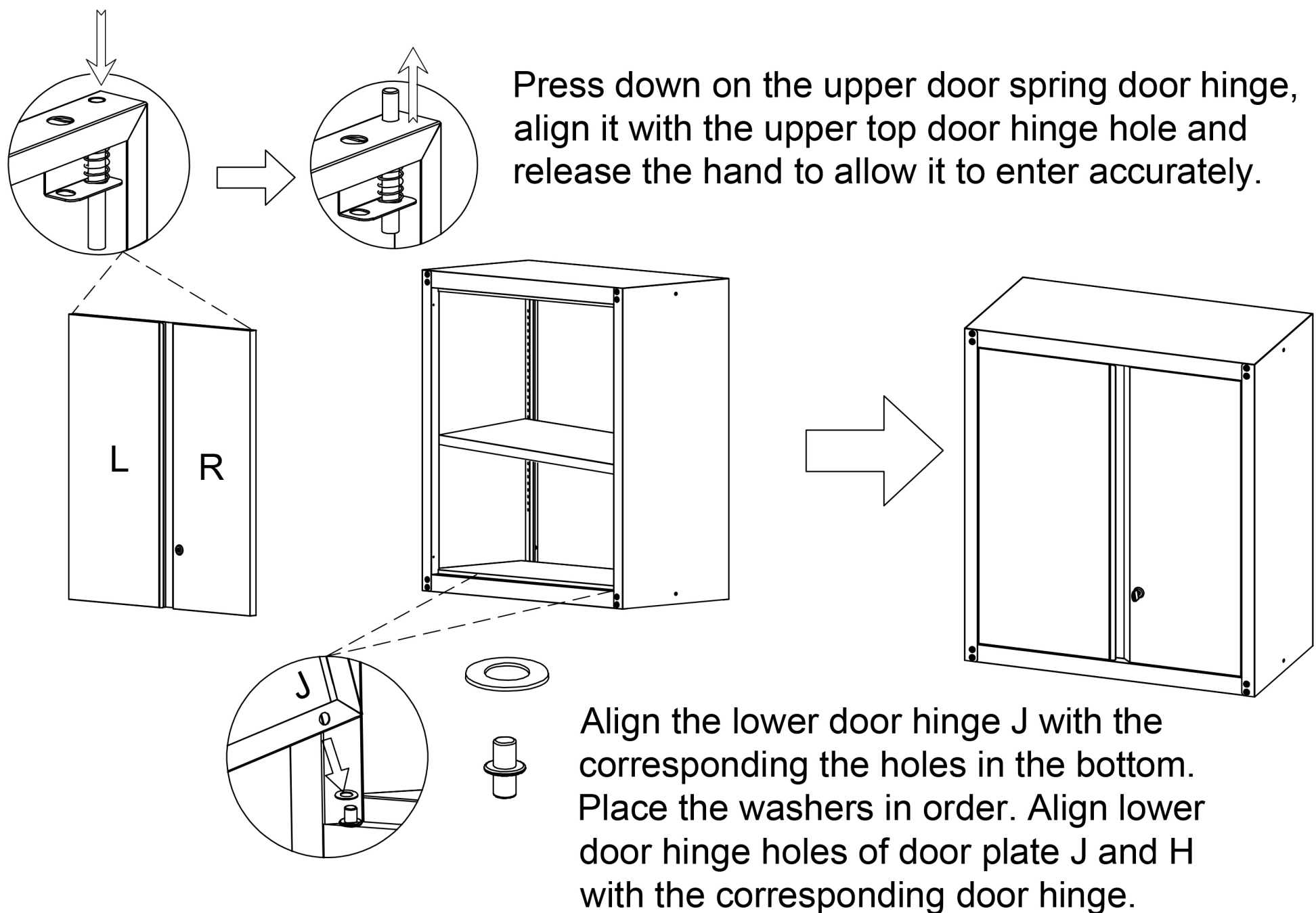
4.Installation of back plate

Align separator plate buckle H with corresponding holes, and put in 4 pcs in order.



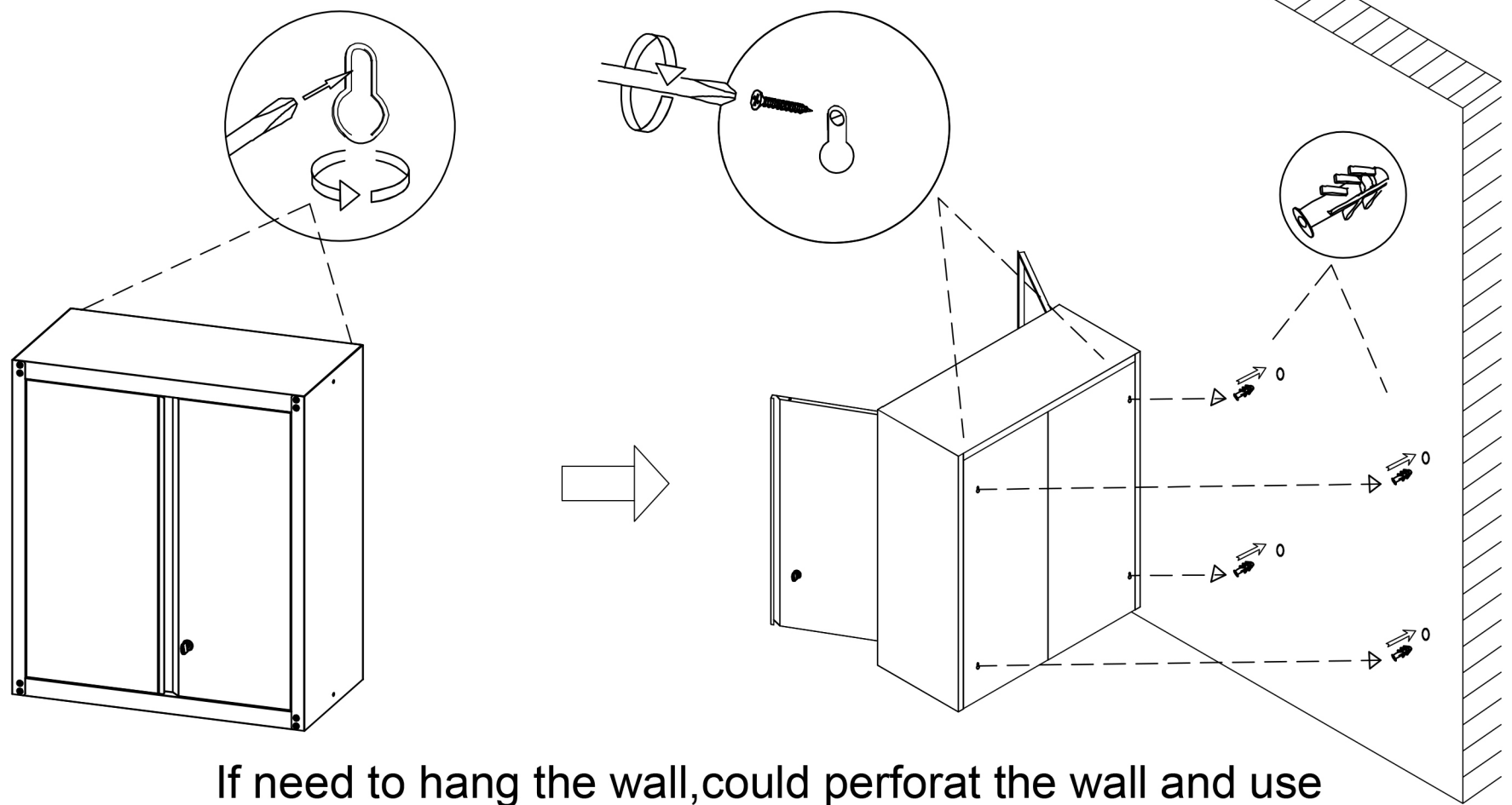
Tilt the partition E into the cabinet.
Made it level then down.
Place it accurately into the laminate buckle slot.

5. Installation of Shelving and Shelving bracket



Align the lower door hinge J with the corresponding the holes in the bottom.
Place the washers in order. Align lower door hinge holes of door plate J and H with the corresponding door hinge.

6. Installatin of left and right door plate.



If need to hang the wall, could perforat the wall and use screws K to fix the cabinet.
If dont need it, could put any place to use directly. Completely

7.Fixed the cabinet