

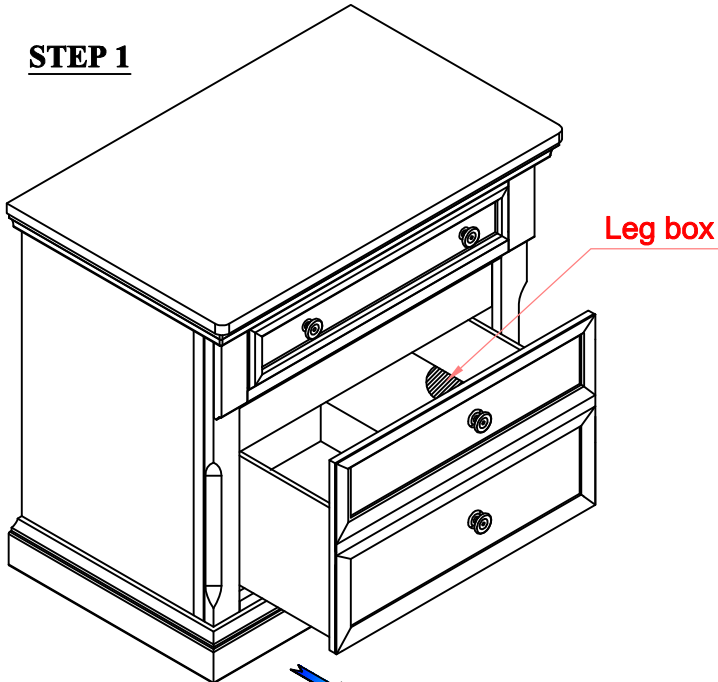
ASSEMBLY INSTRUCTIONS

NIGHT STAND

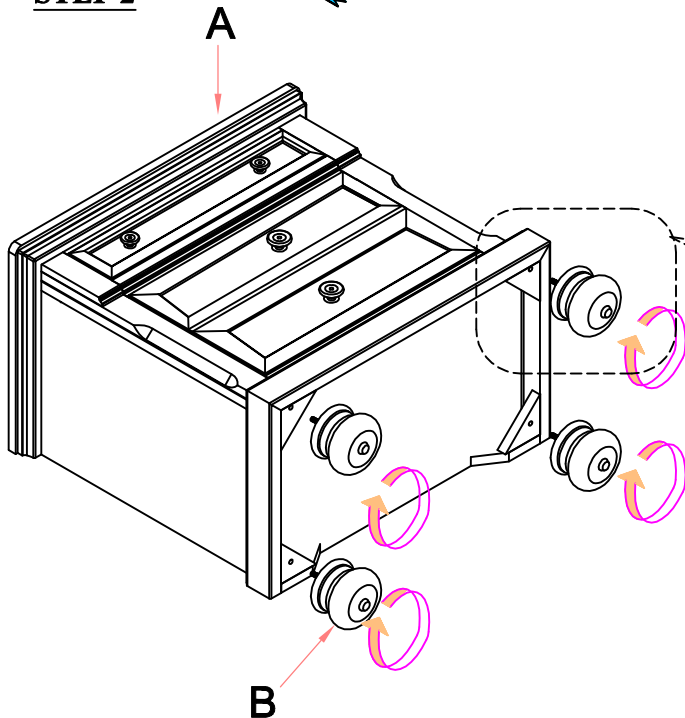
**NOTE: THIS ITEM NOT RECOMMENDED FOR COMMERCIAL USE
KEEP THIS DOCUMENT FOR REFERENCE IN CASE PARTS ARE NEEDED
DO NOT TIGHTEN SCREWS UNTIL COMPLETELY ASSEMBLED! !**

No	DESCRIPTION		Q'TY
A	CHEST SIZE	28" X 17" X 24-1/2"	1PC
B	LEG SIZE	4-3/8" X 4-3/8" X 3-1/2"	4PCS

STEP 1



STEP 2



STEP 3

