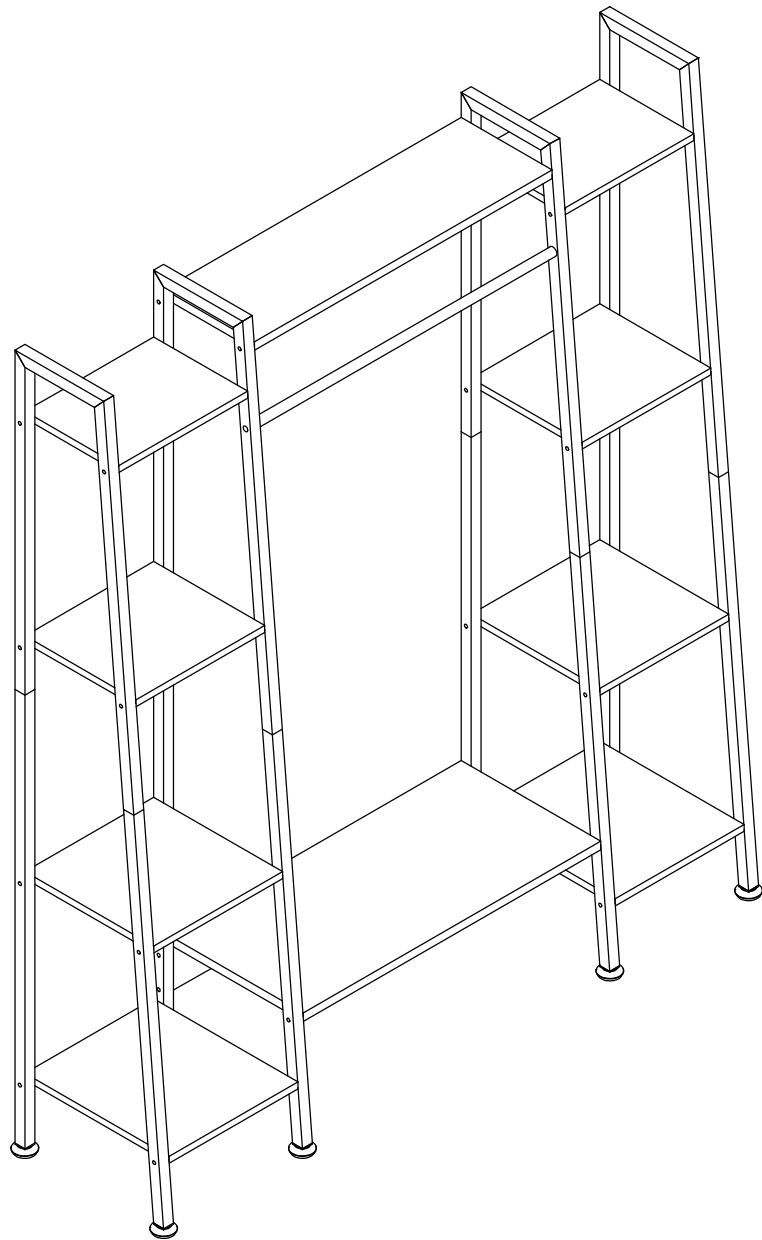
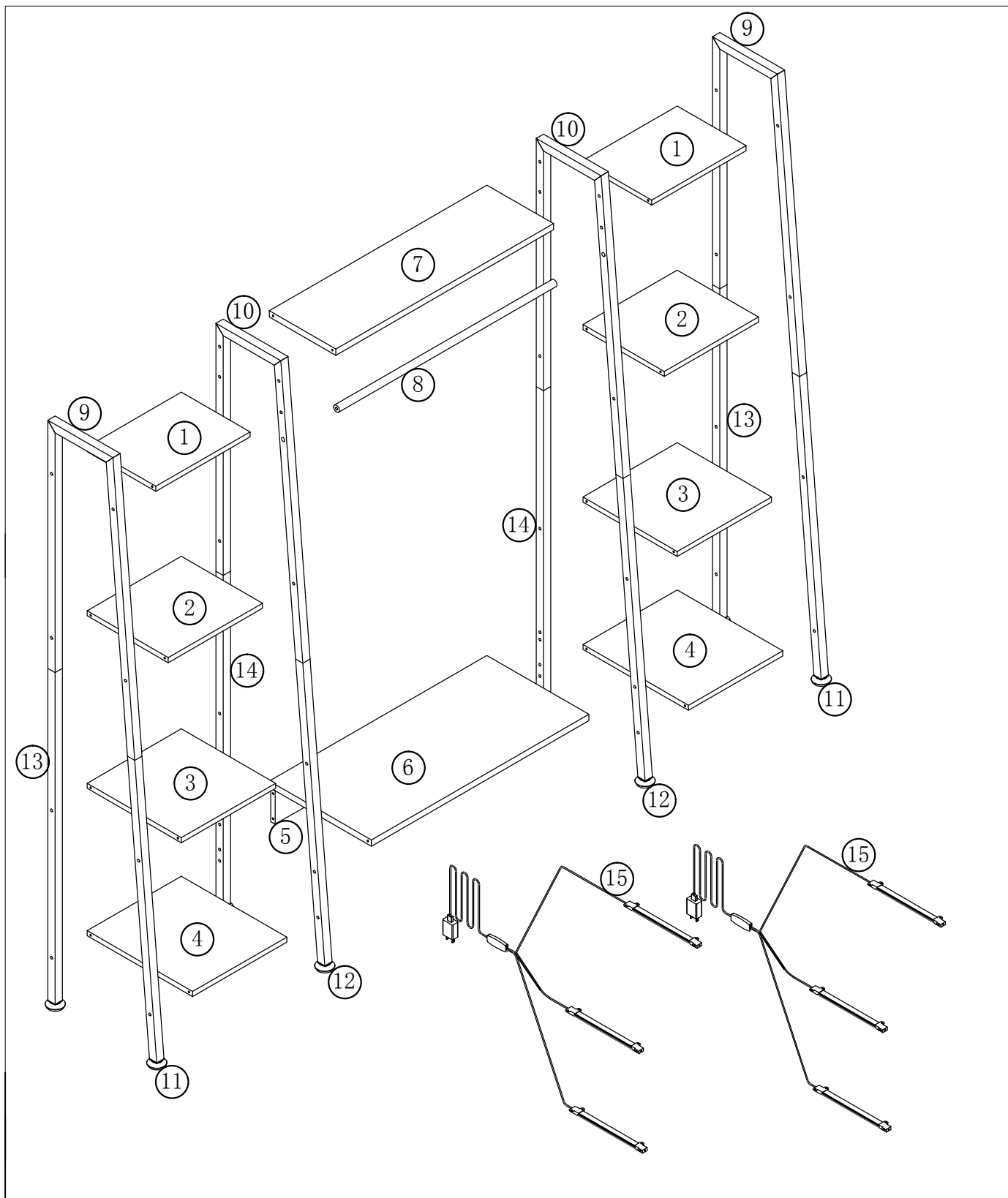


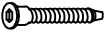

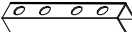





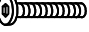




BACEKOLL



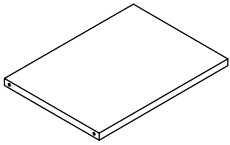
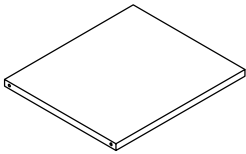
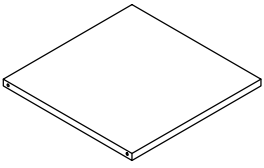
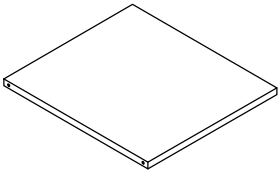
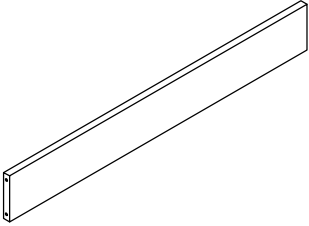
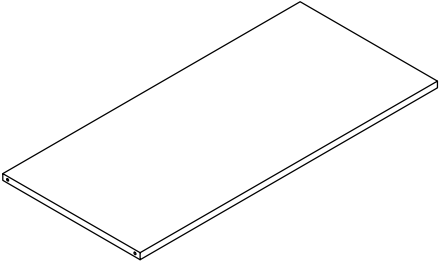
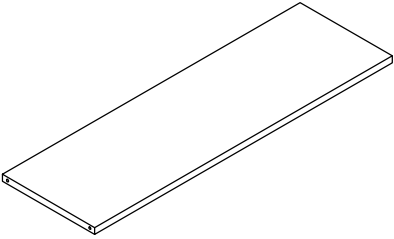
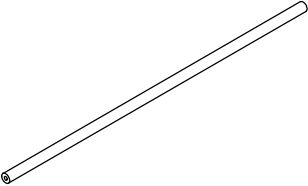
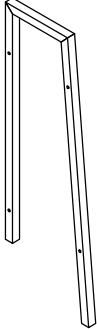
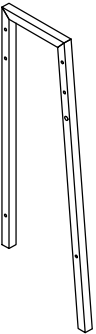




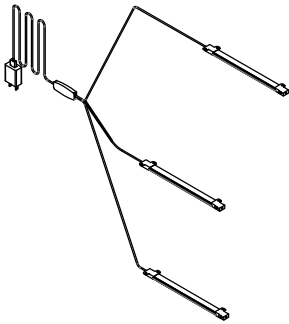
PLANT STAND WITH GROW LIGHT

ASSEMBLY INSTRUCTION



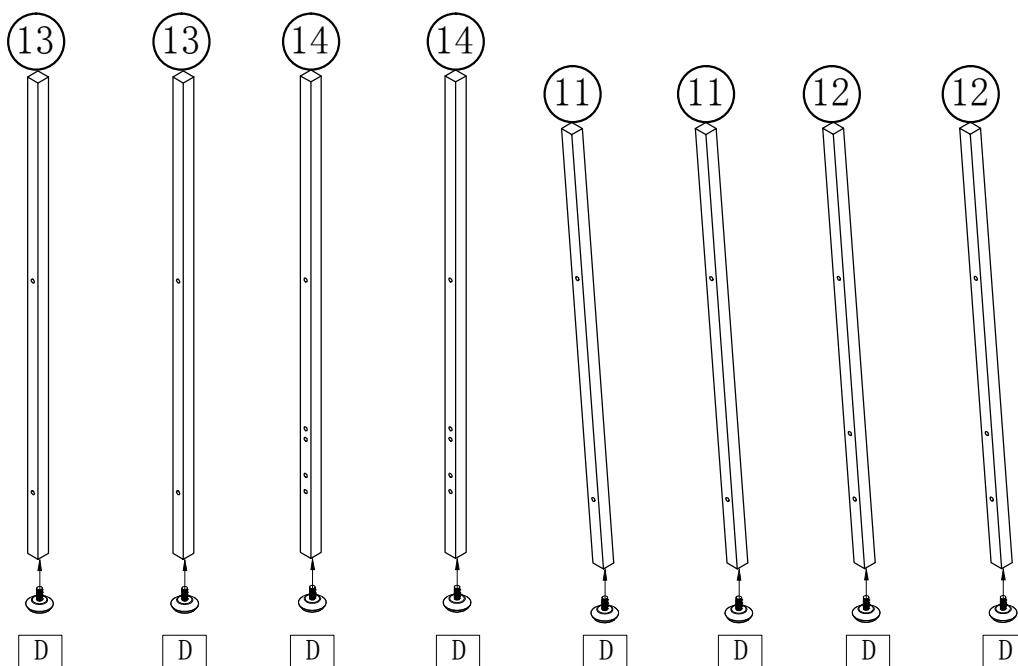
No.	PICTURE	SIZE	QTY	No.	PICTURE	SIZE	QTY
A			ST5*40 44	E		20*20	8
B			M6*10 32	F	 X2  X2  X2		1
C			M6*40 2				
D			M8-L 8		 		1


ASSEMBLY INSTRUCTION

<p>①</p>  <p>X2</p>	<p>②</p>  <p>X2</p>	<p>③</p>  <p>X2</p>
<p>④</p>  <p>X2</p>	<p>⑤</p>  <p>X1</p>	<p>⑥</p>  <p>X1</p>
<p>⑦</p>  <p>X1</p>	<p>⑧</p>  <p>X1</p>	<p>⑨</p>  <p>X2</p>
<p>⑩</p>  <p>X2</p>	<p>⑪</p>  <p>X2</p>	<p>⑫</p>  <p>X2</p>
<p>⑬</p>  <p>X2</p>	<p>⑭</p>  <p>X2</p>	<p>⑮</p>  <p>X2</p>

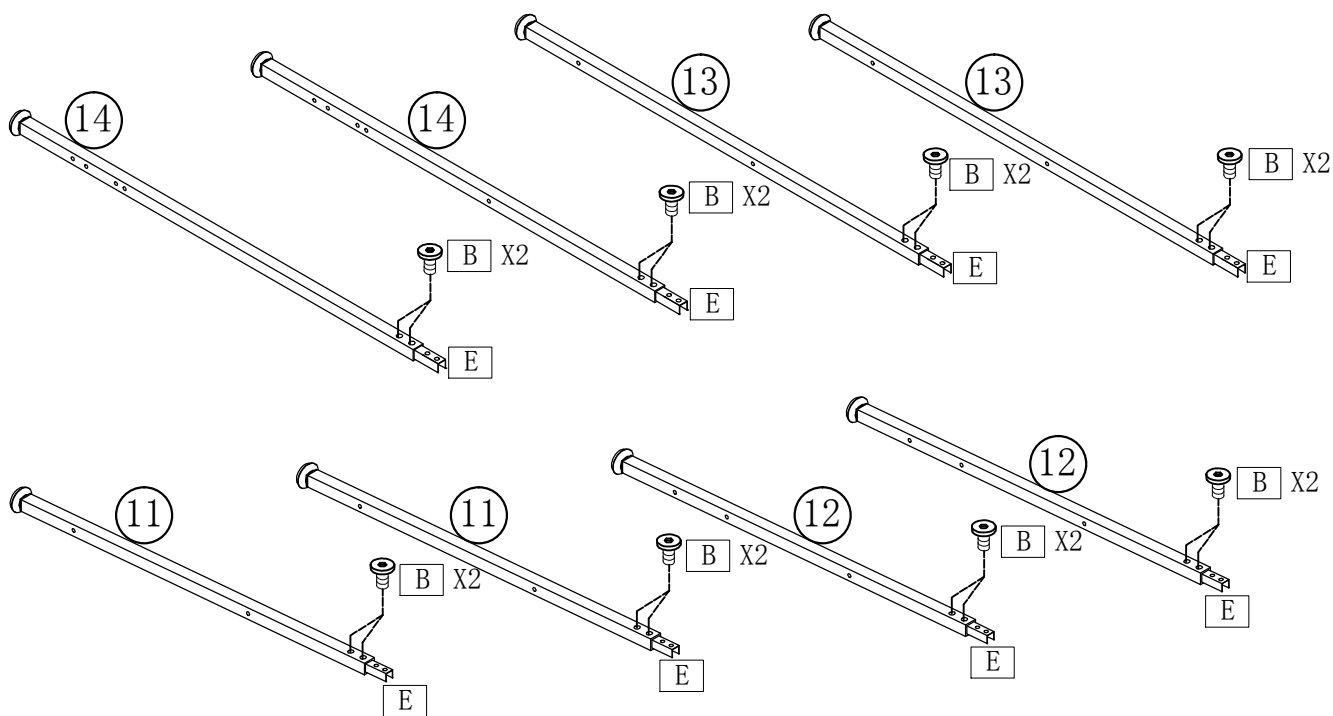
ASSEMBLY INSTRUCTION


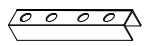
STEP 1



D	M8-L
	
X8	

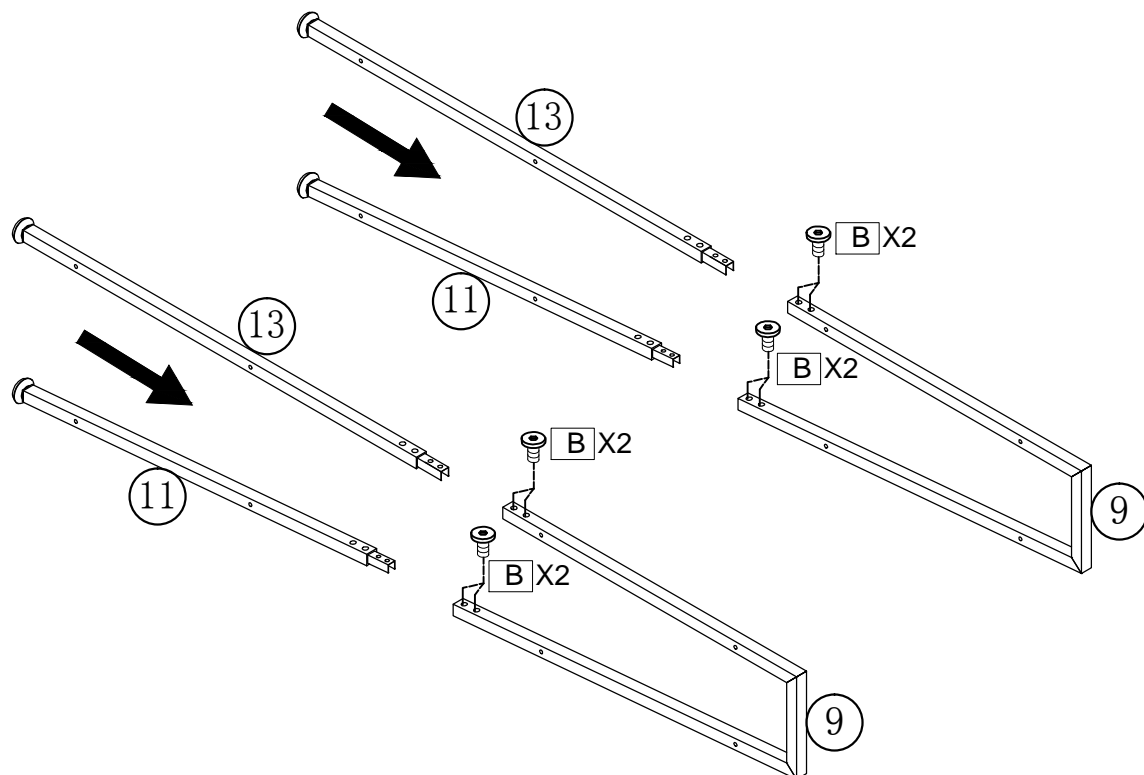
STEP 2




B	M6*10mm	E	20*20
			
X16		X8	

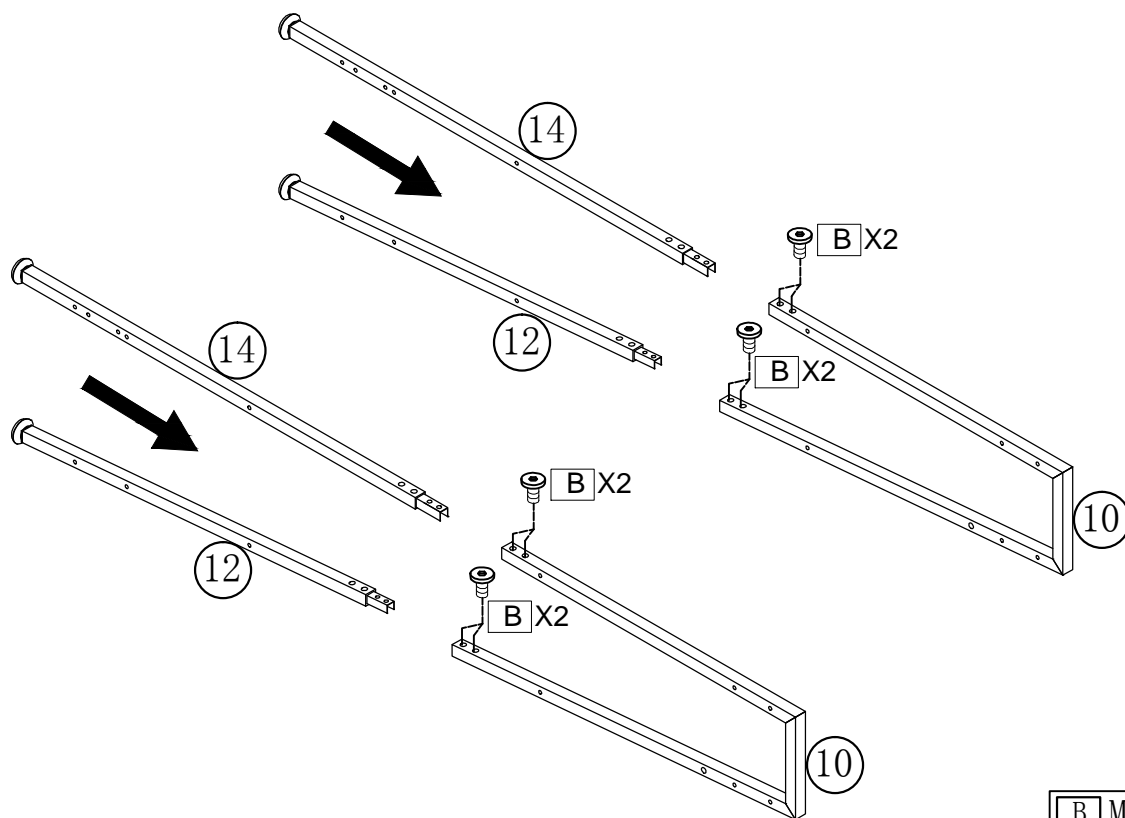
ASSEMBLY INSTRUCTION


STEP 3



B M6*10mm

X8

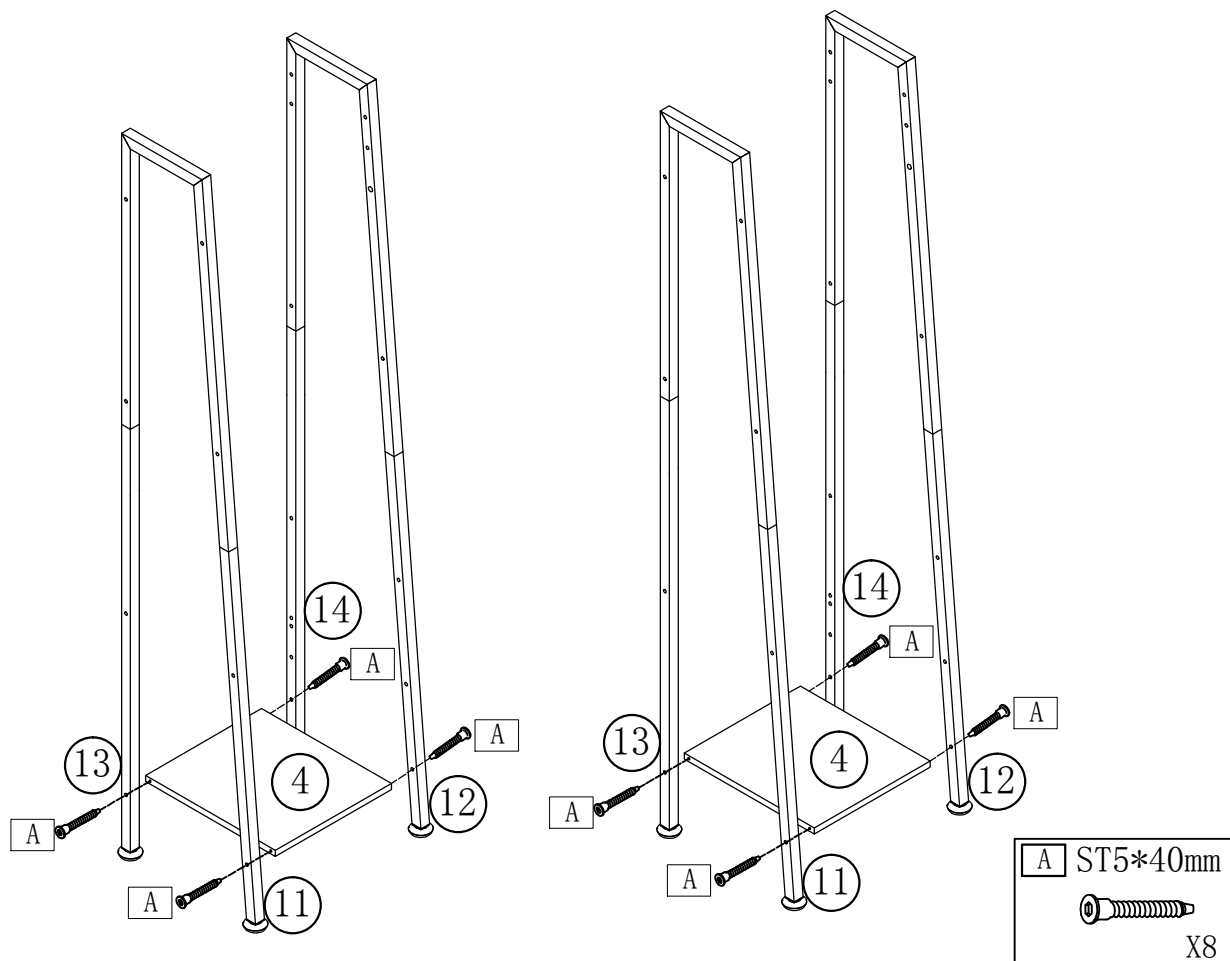
STEP 4



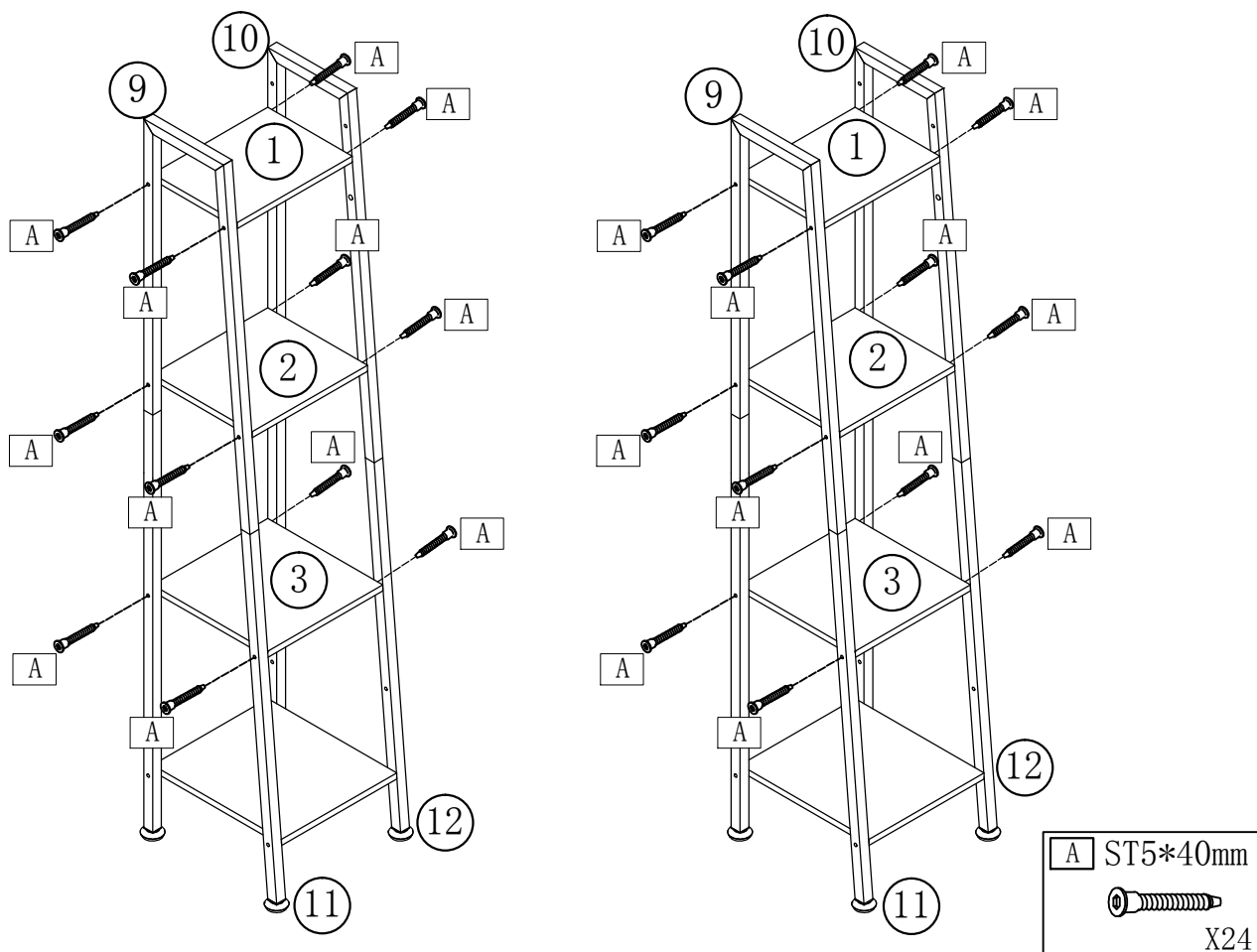
B M6*10mm

X8

ASSEMBLY INSTRUCTION

STEP 5

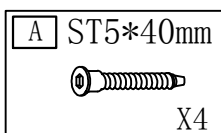
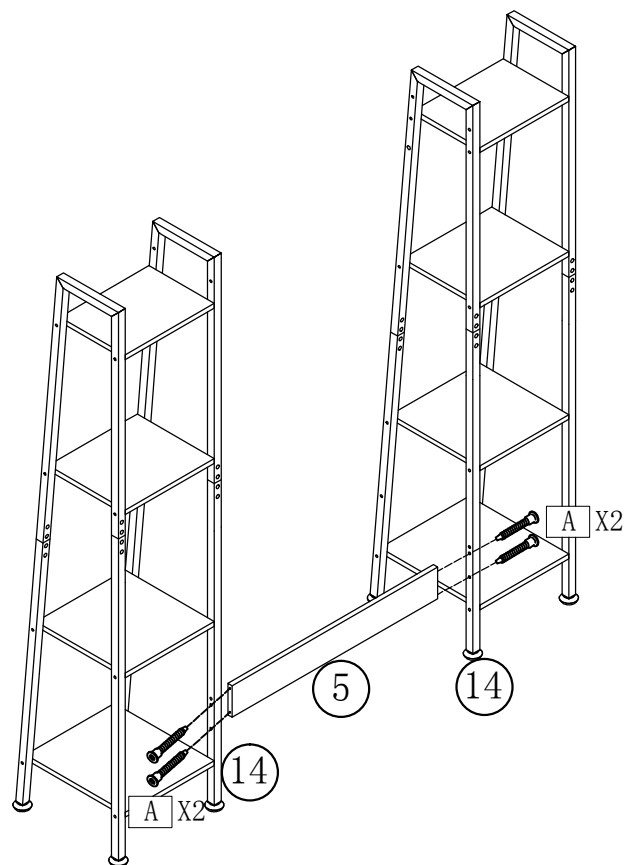


STEP 6

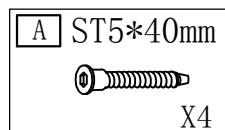
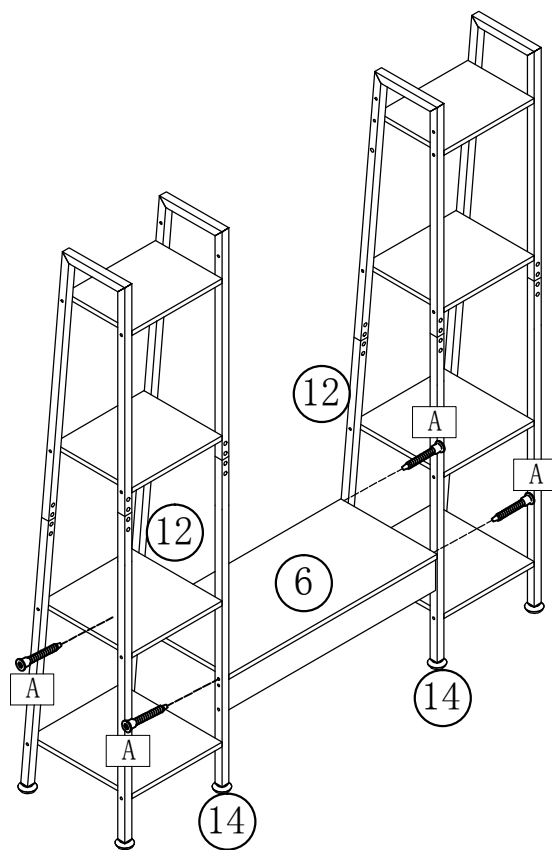


ASSEMBLY INSTRUCTION

STEP 7

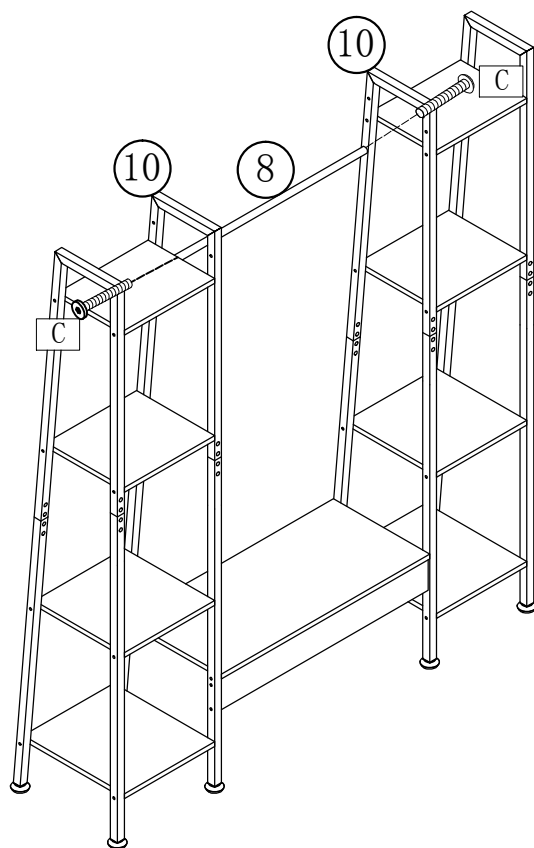


STEP 8



ASSEMBLY INSTRUCTION

STEP 9

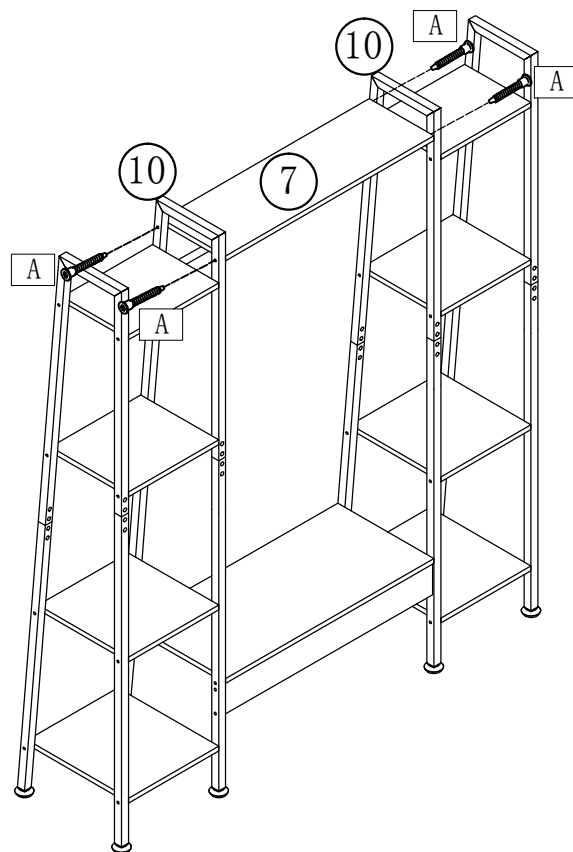


C M6*40mm



X2

STEP 10



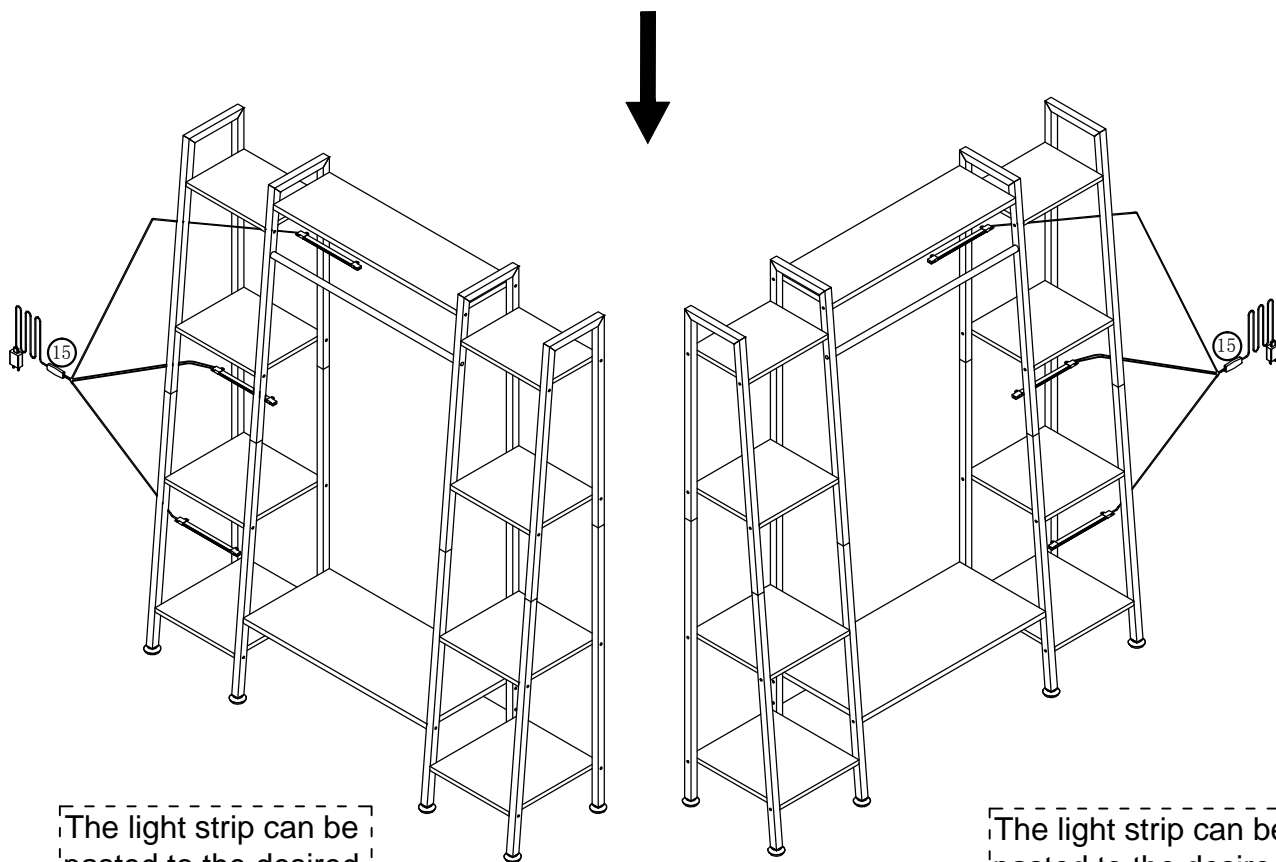
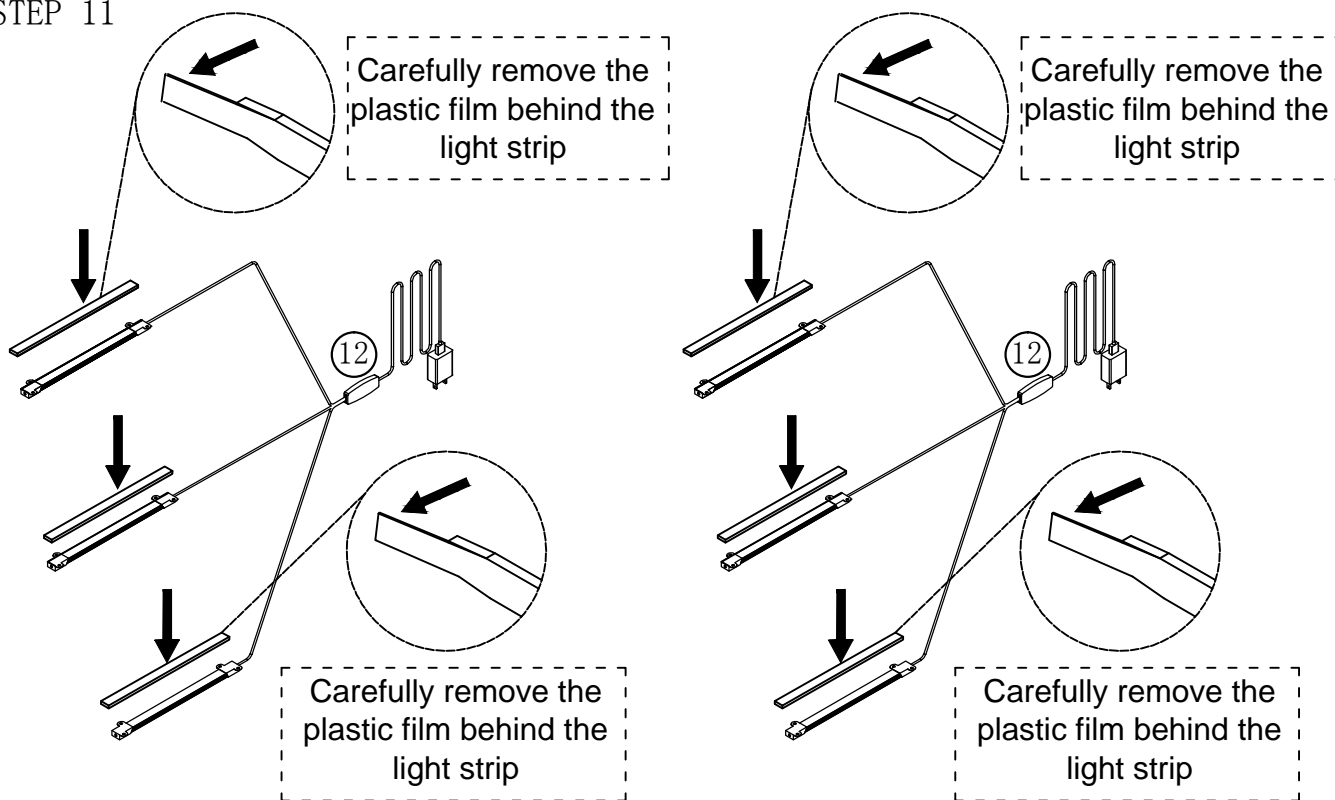
A ST5*40mm



X4

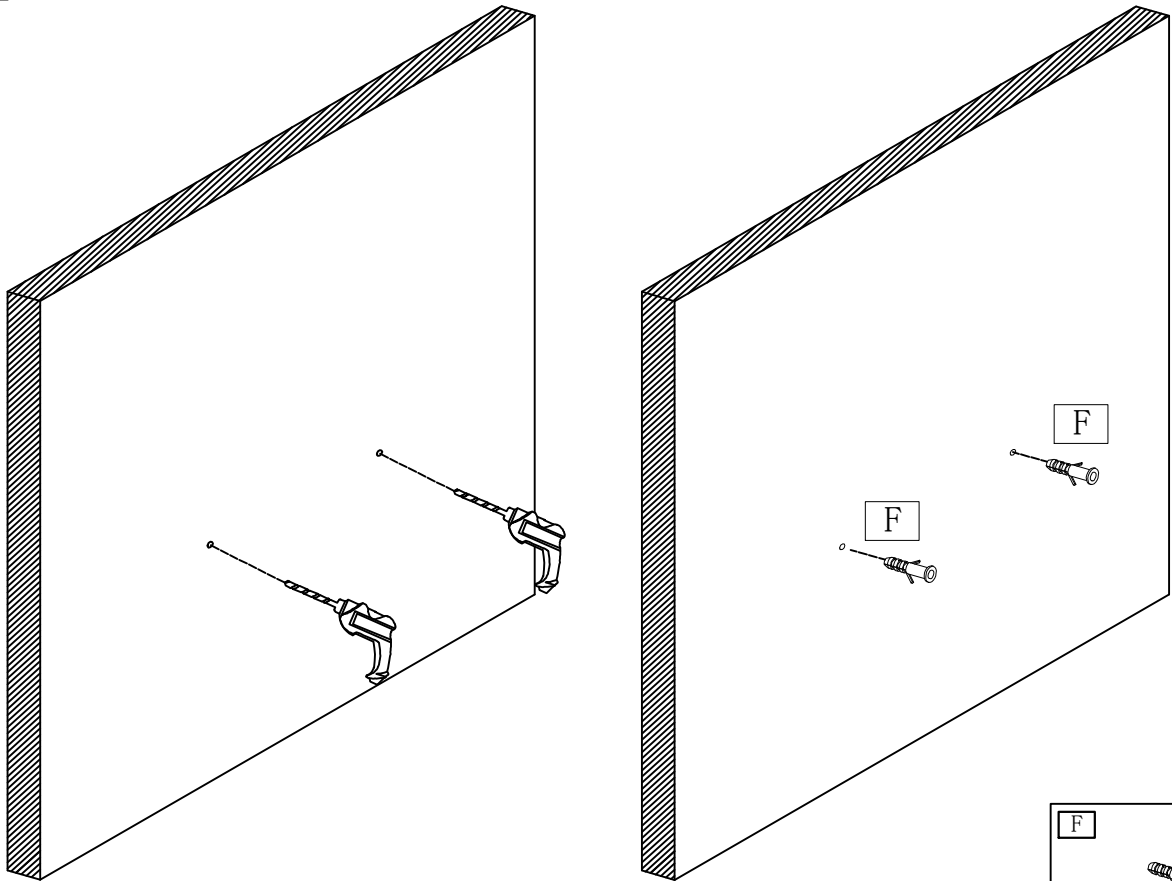
ASSEMBLY INSTRUCTION

STEP 11



ASSEMBLY INSTRUCTION

STEP 12



STEP 13

