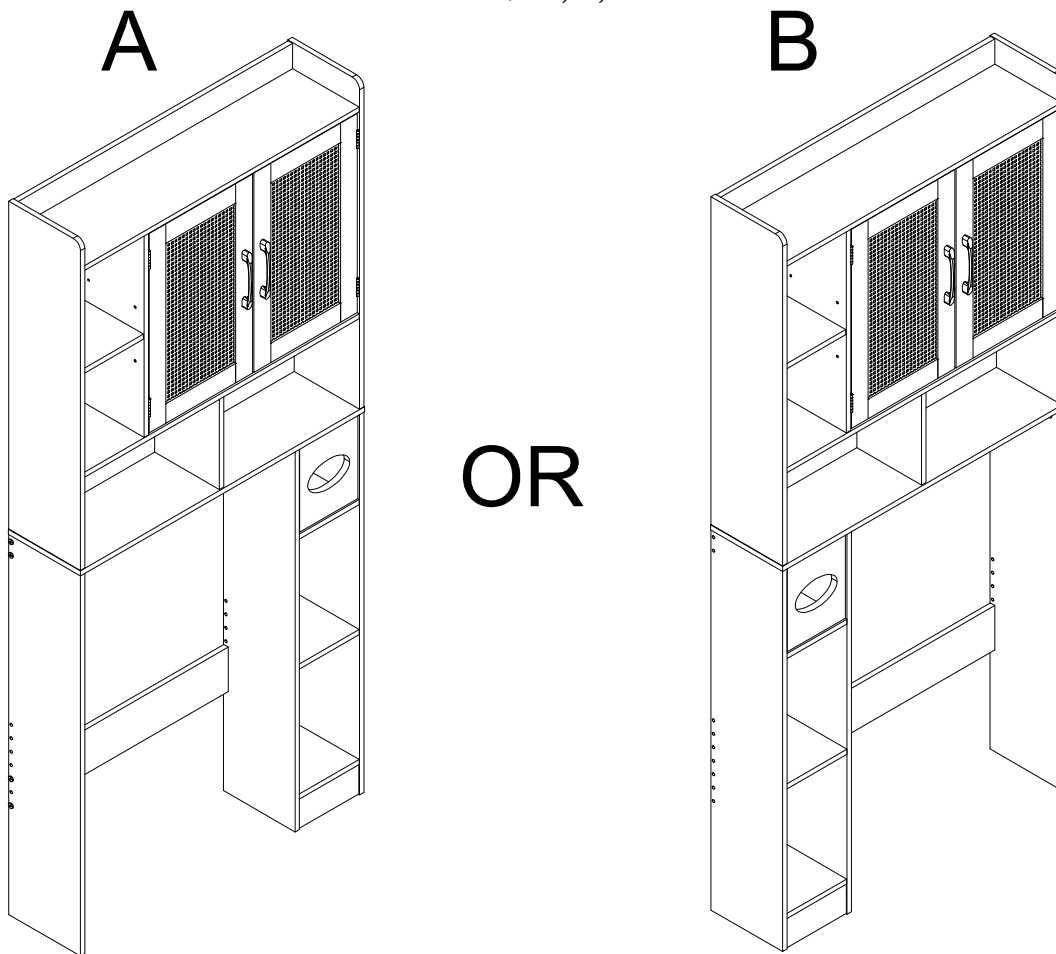


Assembling Instruction

Generating Drawings

NOTE: Install the shelf in either side as needed, please reference step 5, 6, 7, 19



ATTENTION

If there is any missing, please kindly send us messages to let us know the name of missing part regarding to the first page of instructions.

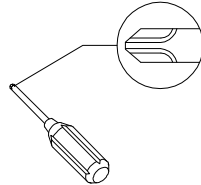
We will send replacement to you asap. We are concerned about each customer's experience, if there is any loss or damage, please contact us at any time, we will provide effective solutions.

Please attach your Oder ID so that we can assist you better.

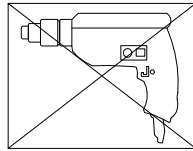


General Assembly Guidelines

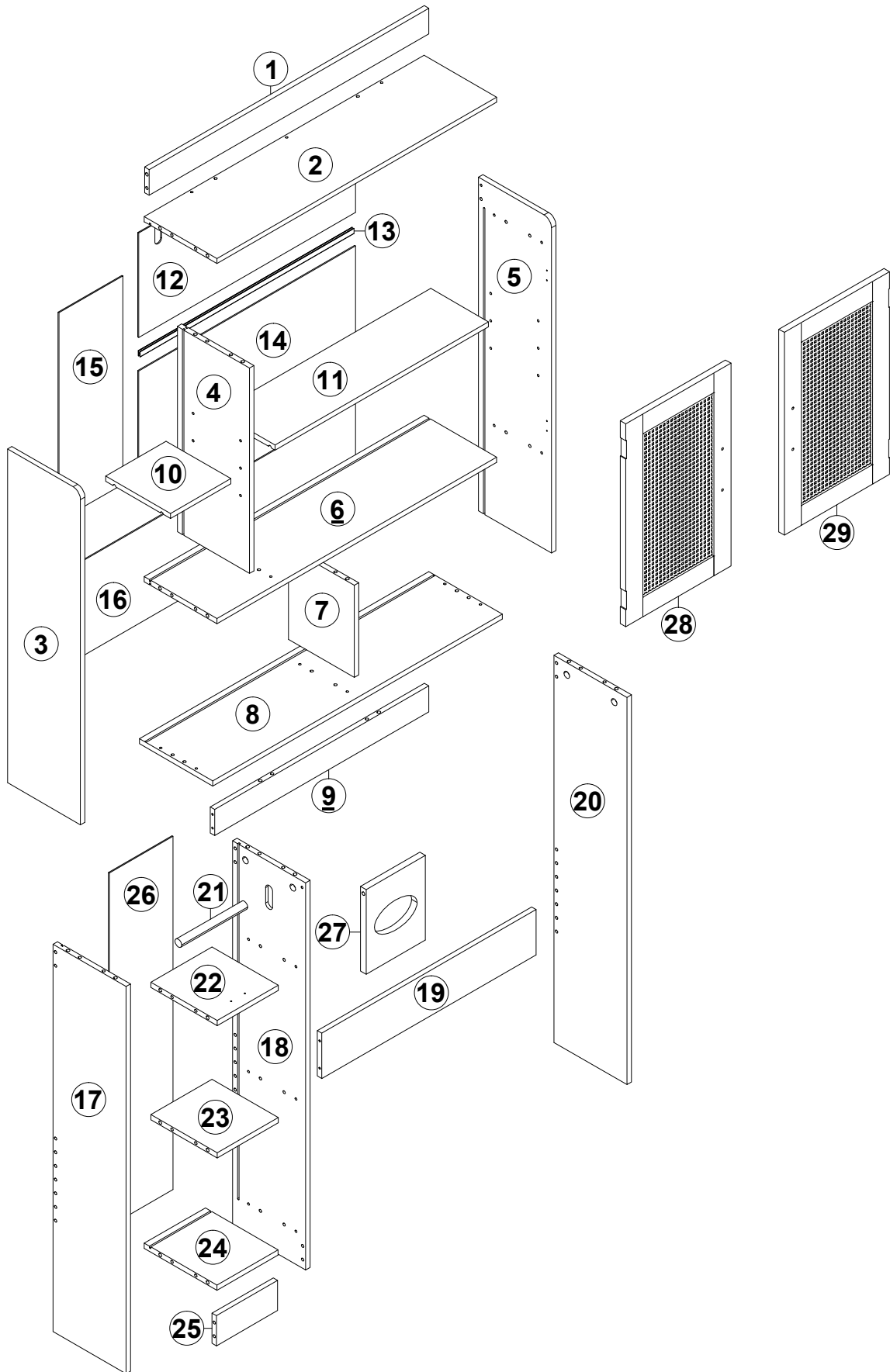
- I. Ensure that all parts and hardware are available before beginning assembly.
- II. Follow each step carefully to ensure the proper assembly of this product.
- III. Two people are recommended for ease in the assembly of this product.
- IV. The three main types of hardware used to assemble this product are : wood dowels , screws and bolts.
- VI . A Phillips head screwdriver is required for the assembly of this product .




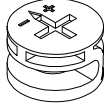


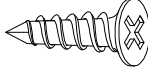
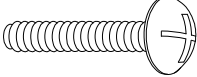
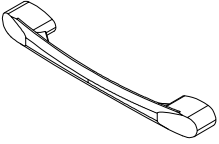
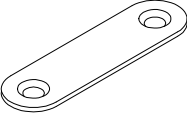
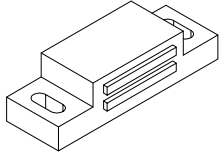
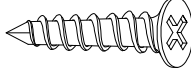
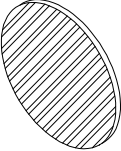
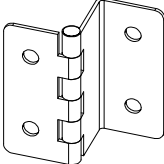
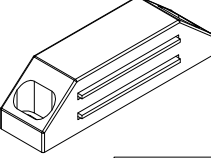
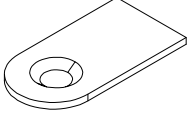
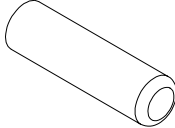

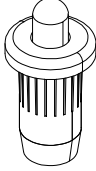
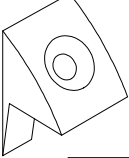
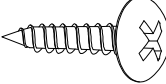
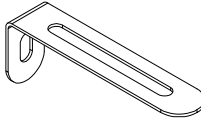
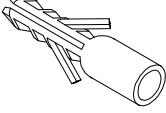
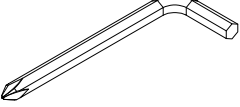
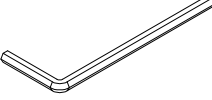
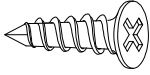
- VII . Power tools should not be used to assemble this product .

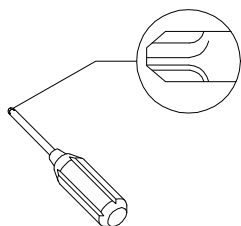


Parts List



HARDWARE PACK CONTENT

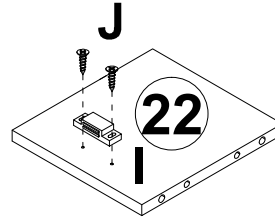
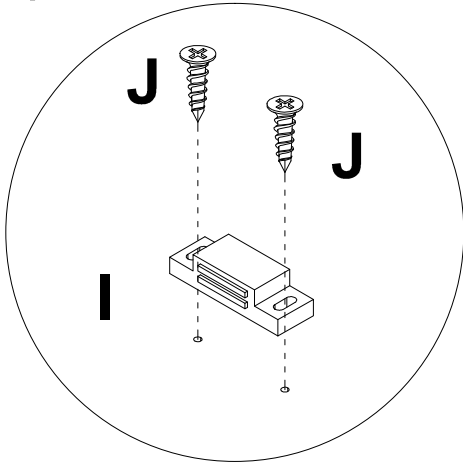
A  M6x35mm 34+4PCS	B  Ø15x9mm 34+4PCS	C  M4x40mm 13+2PCS	D  Ø6x30mm 48+6PCS	E  M3x12mm 4+1PCS
F  M4x16mm 4+1PCS	G  96mm 2PCS	H  1PC	I  1PC	J  M3x14mm 20+3PCS
K  Ø20mm 52+6PCS	L  15mm 4PCS	M  1PC	N  2PCS	O  Ø5x20mm 8+1PCS
P  M5x40mm 8+1PCS	Q  2PCS	R  16+2PCS	S  M4x12mm 4+1PCS	T  2PCS
U  Ø6x30mm 2PCS	V  M4mm 1PC	W  M3mm 1PC	X  M3x12mm 16+2PCS	



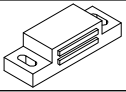
Philips head screwdriver required for assembly
(not included)

*The hardware quantities listed above are required for proper assembly.
Some extra hardware may also have been included.*

Step 1



Magnet outward.

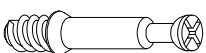
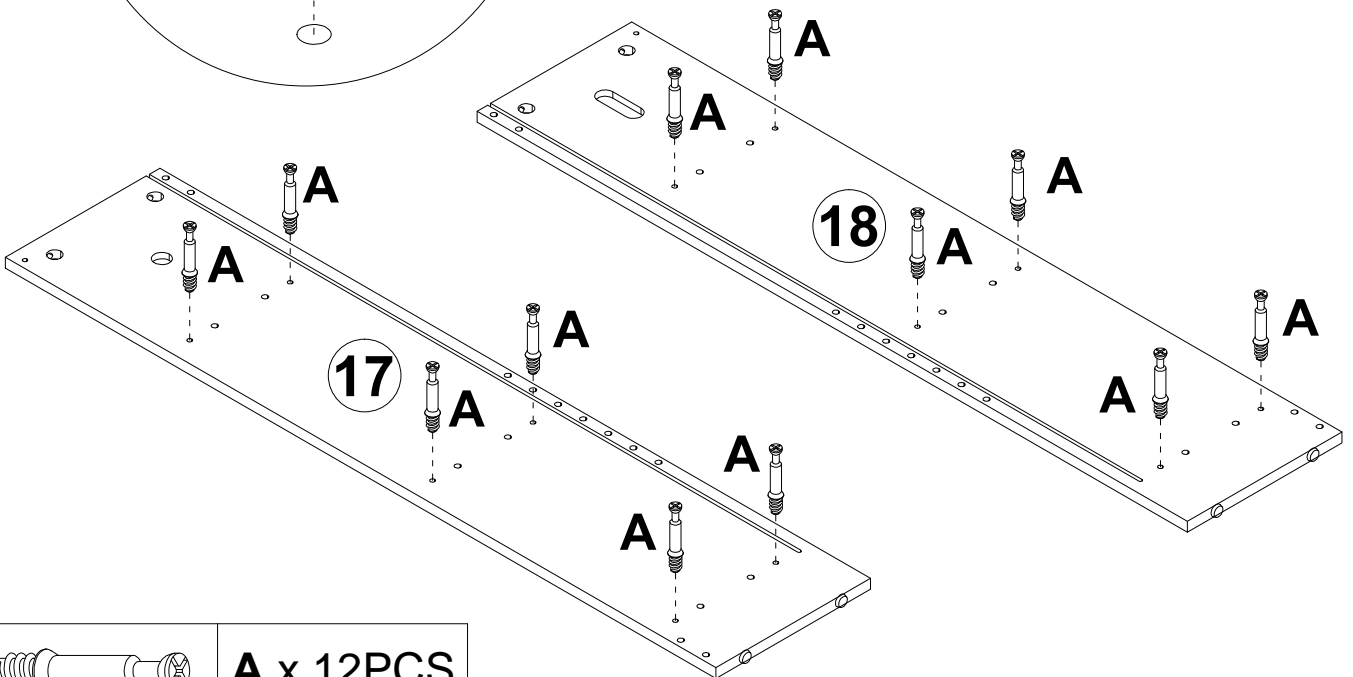
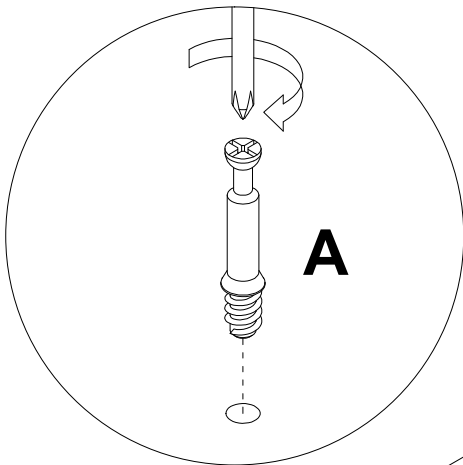


I x 1PC



J x 2PCS

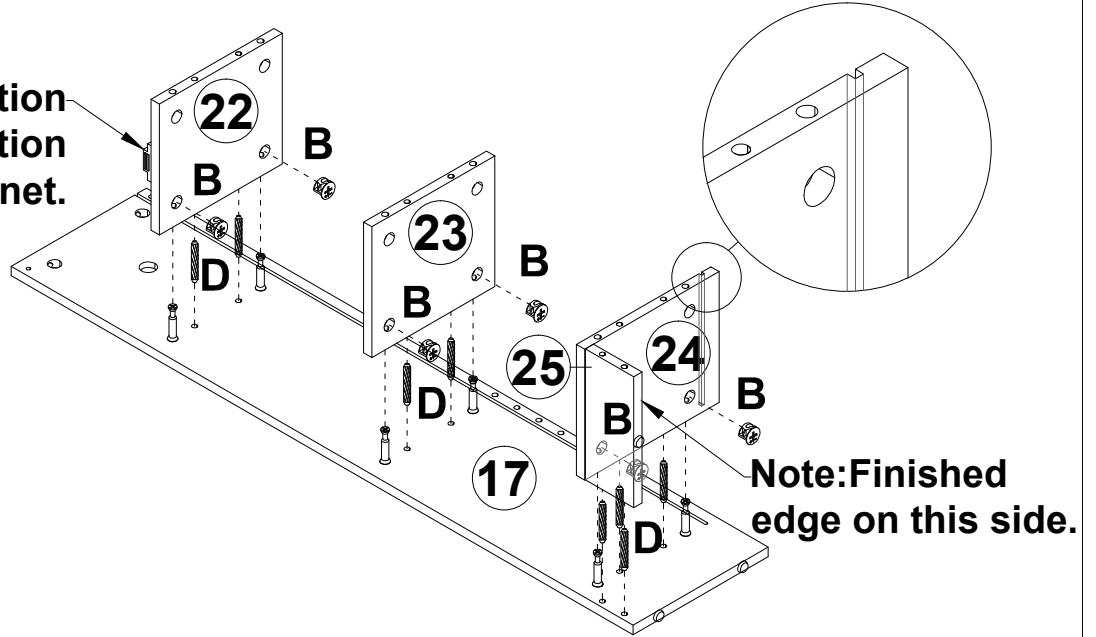
Step 2


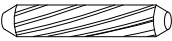


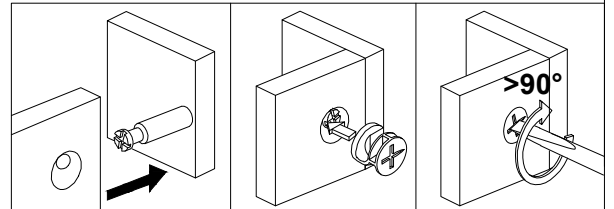
A x 12PCS

Step 3

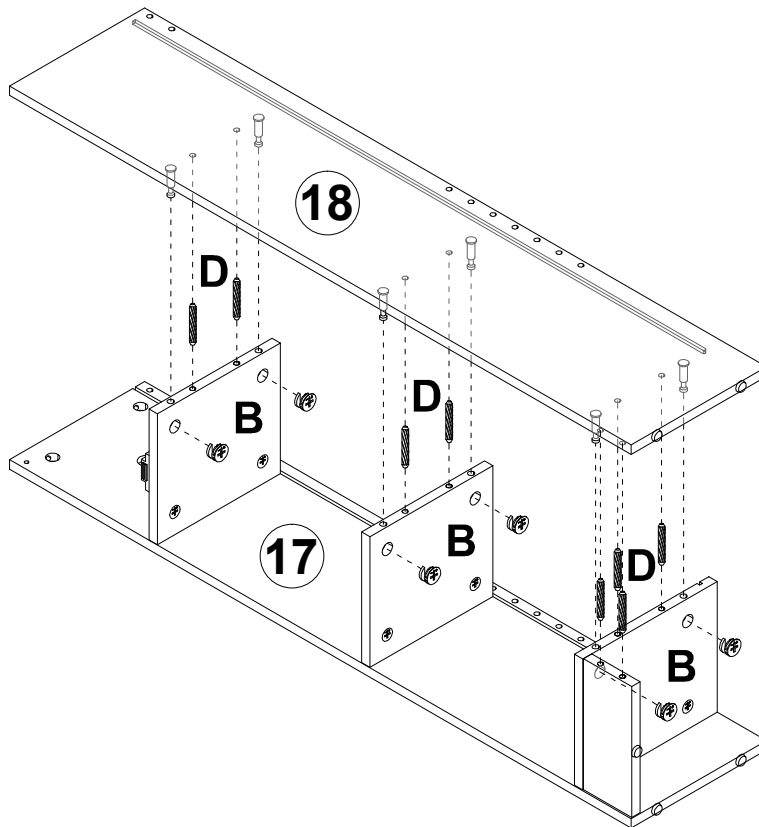
NOTE: Pay attention to the position of the magnet.





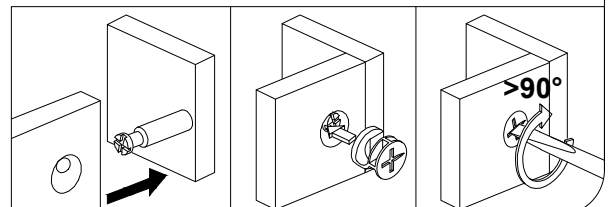
	B x 6PCS
	D x 8PCS



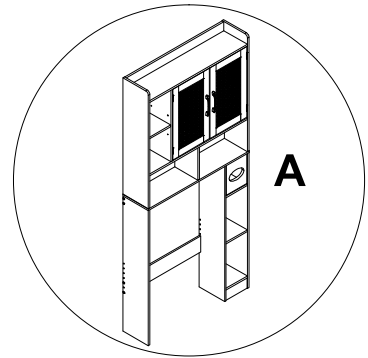
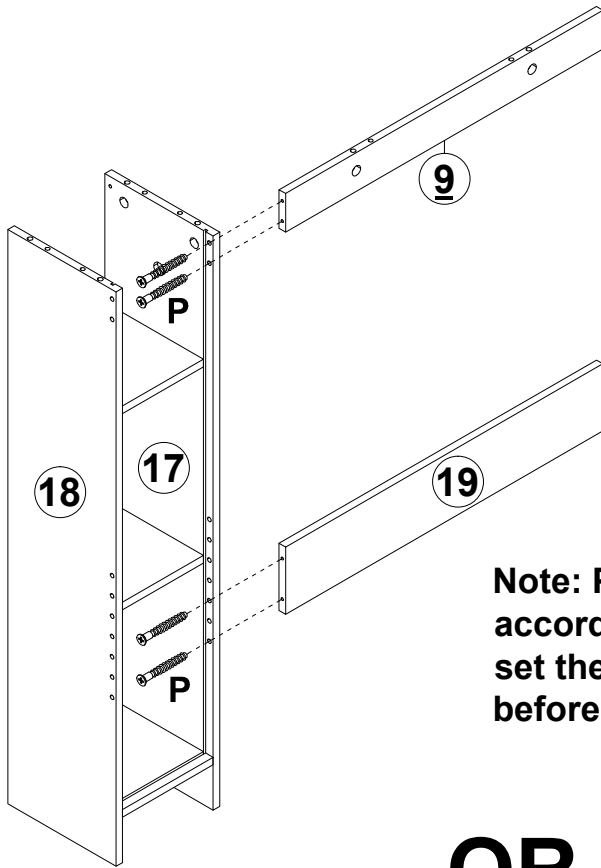
Step 4



	B x 6PCS
	D x 8PCS

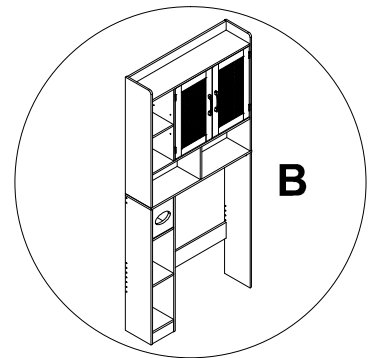
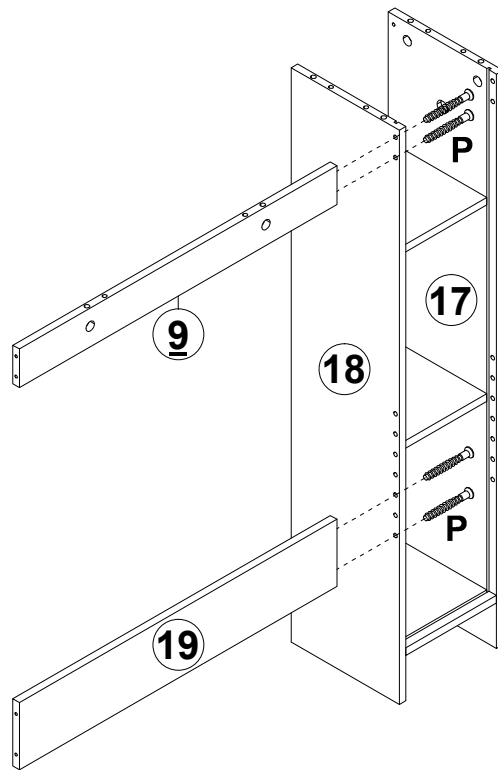
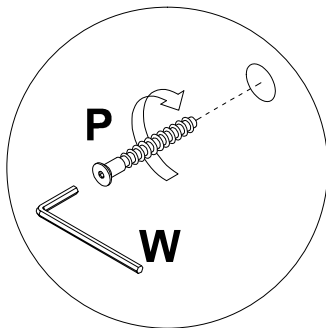


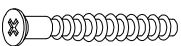
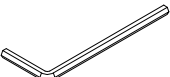
Step 5



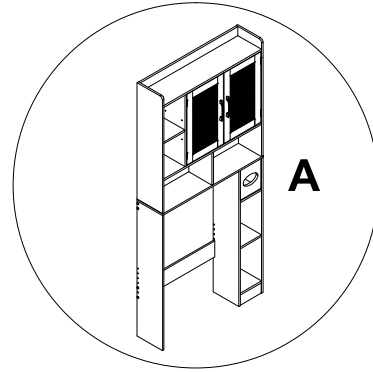
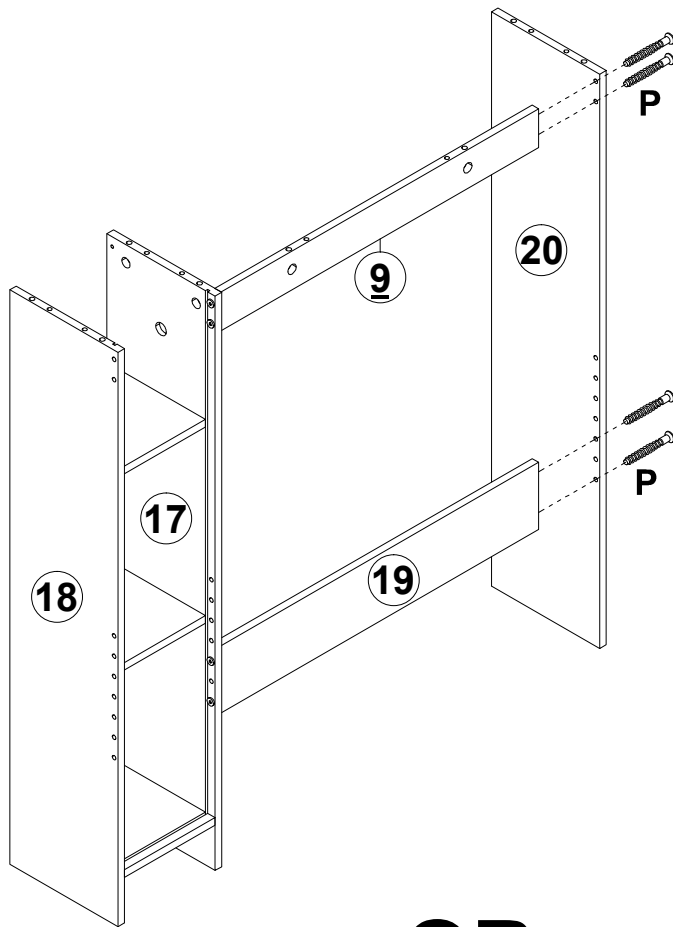
Note: Position boards #9 and #19 according to STYLE A or B, and set the height of #19 as needed before installation.

OR



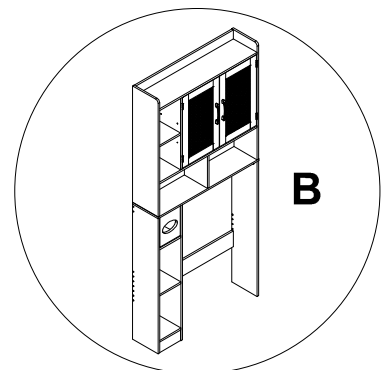
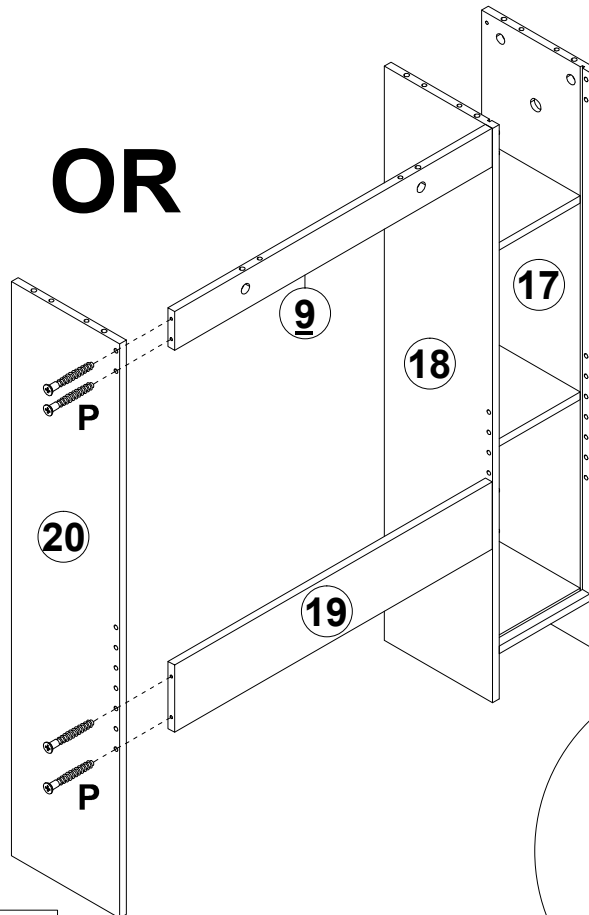
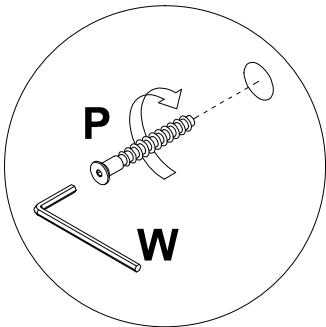
	P x 4PCS
	W x 1PC

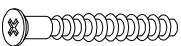
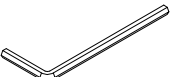
Step 6



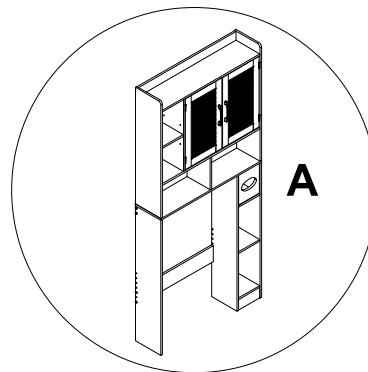
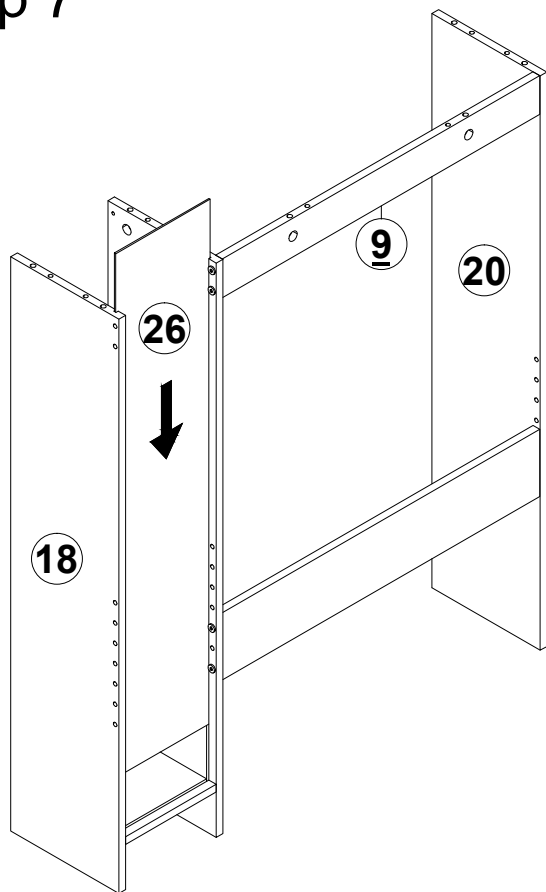
NOTE:Position board #9 and #19 according to **STYLE A** or **B**, and set the height of #19 as needed before installation.

OR

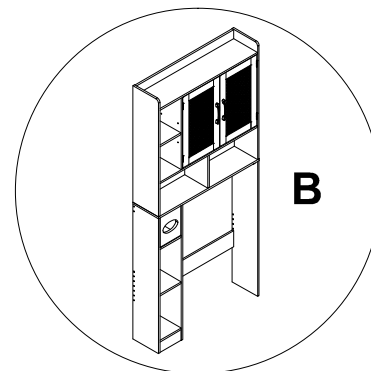
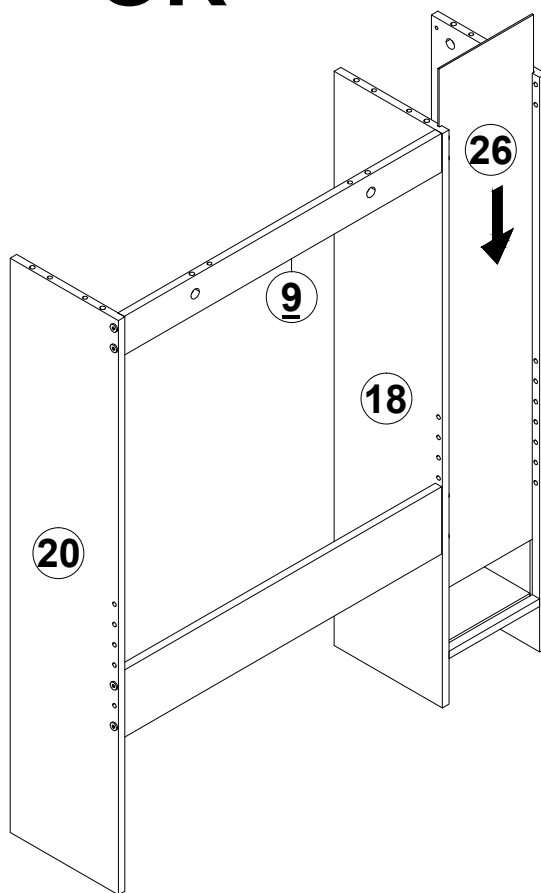


	P x 4PCS
	W x 1PC

Step 7



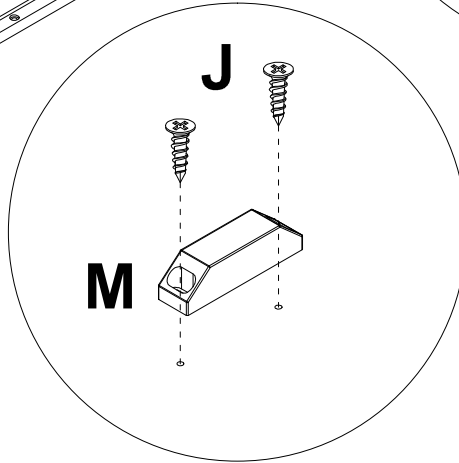
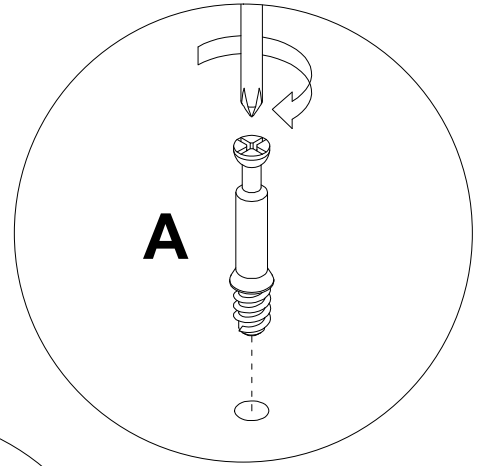
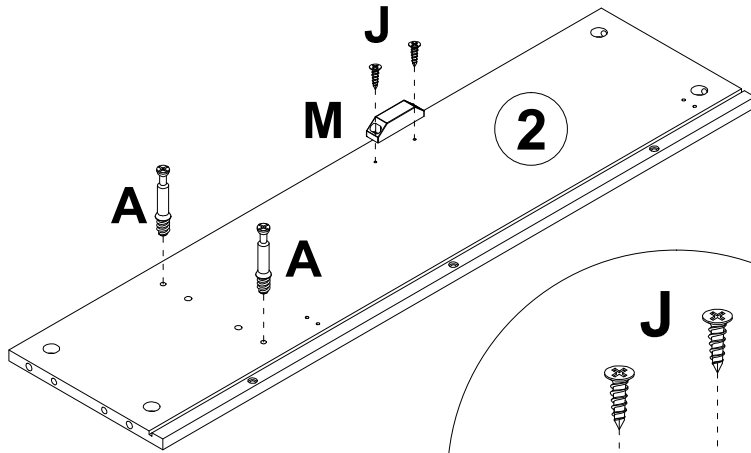
OR

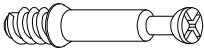




Step 8

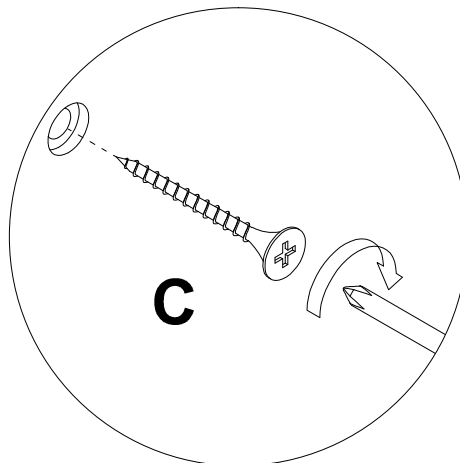
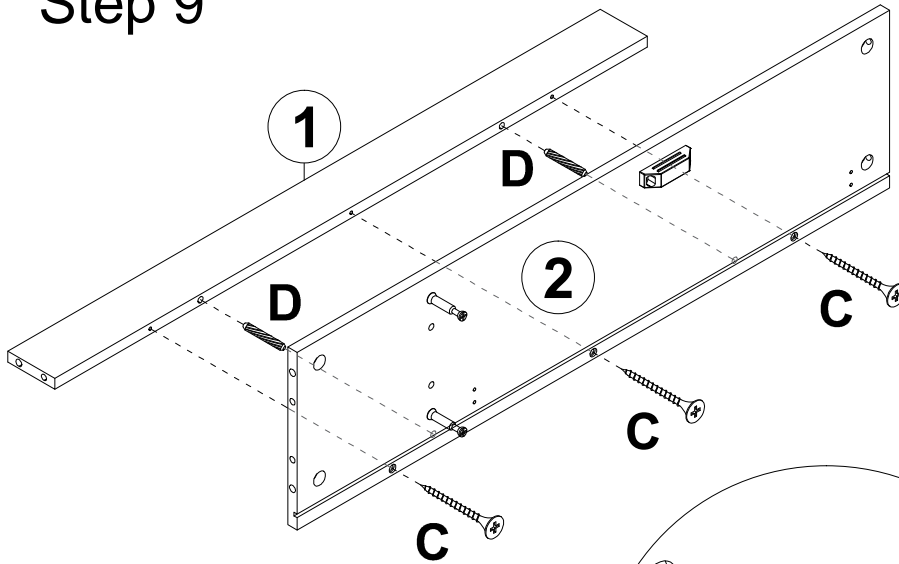


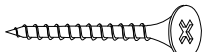

Magnet outward.



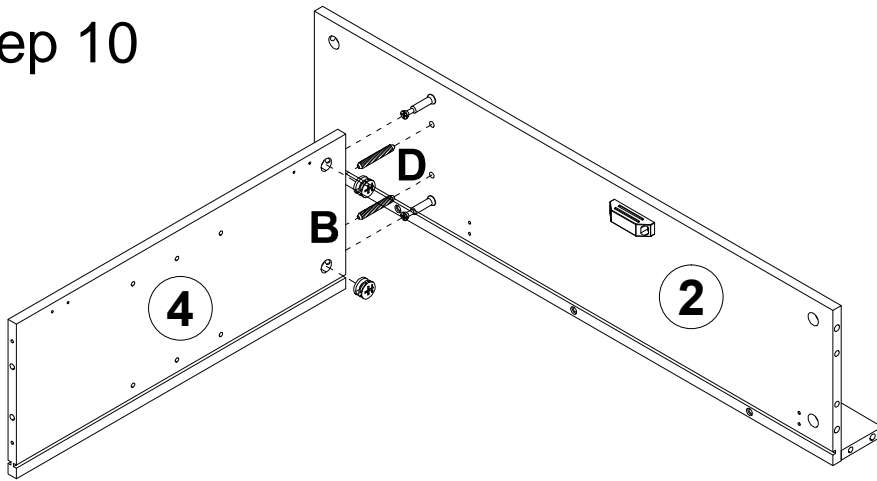
	A x 2PCS
	J x 2PCS
	M x 1PC

Step 9





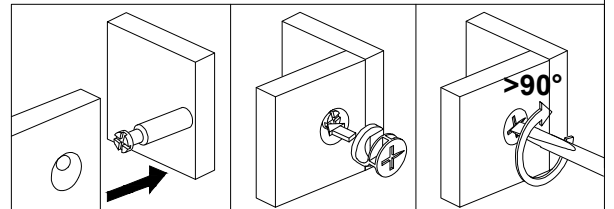
	C x 3PCS
	D x 2PCS

Step 10

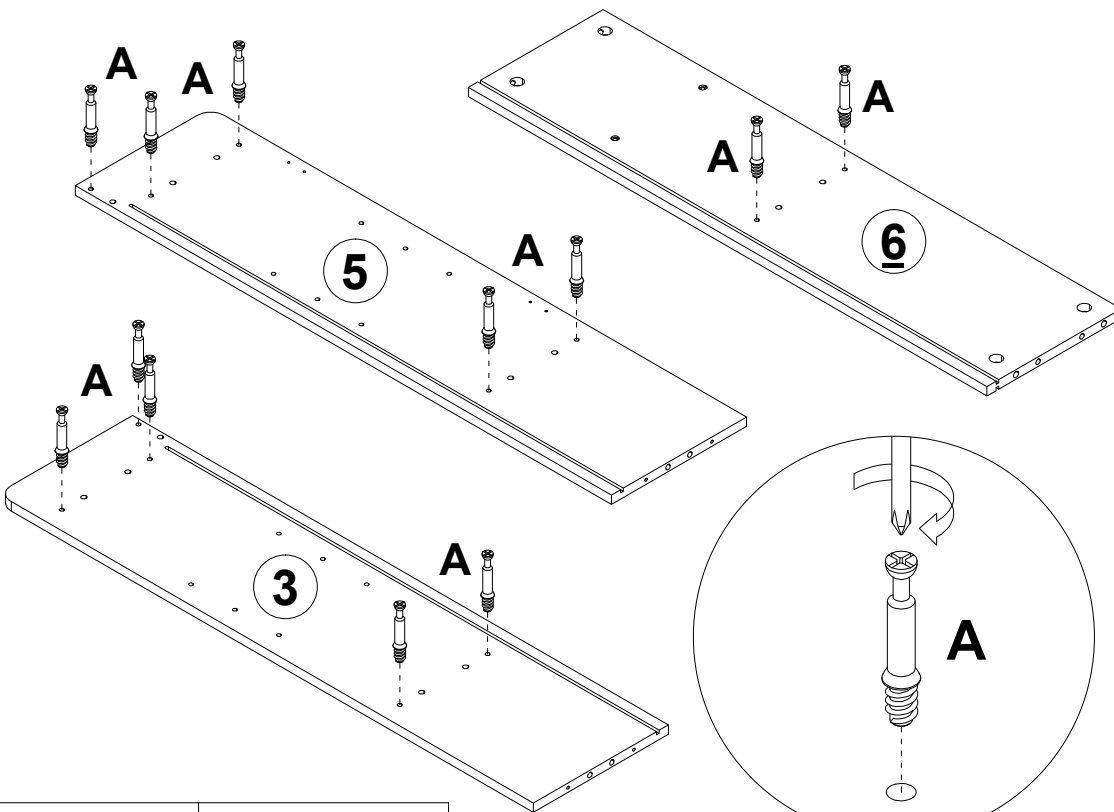


Note: Pay attention to the position of slot on board #2 and #4

	B x 2PCS
	D x 2PCS

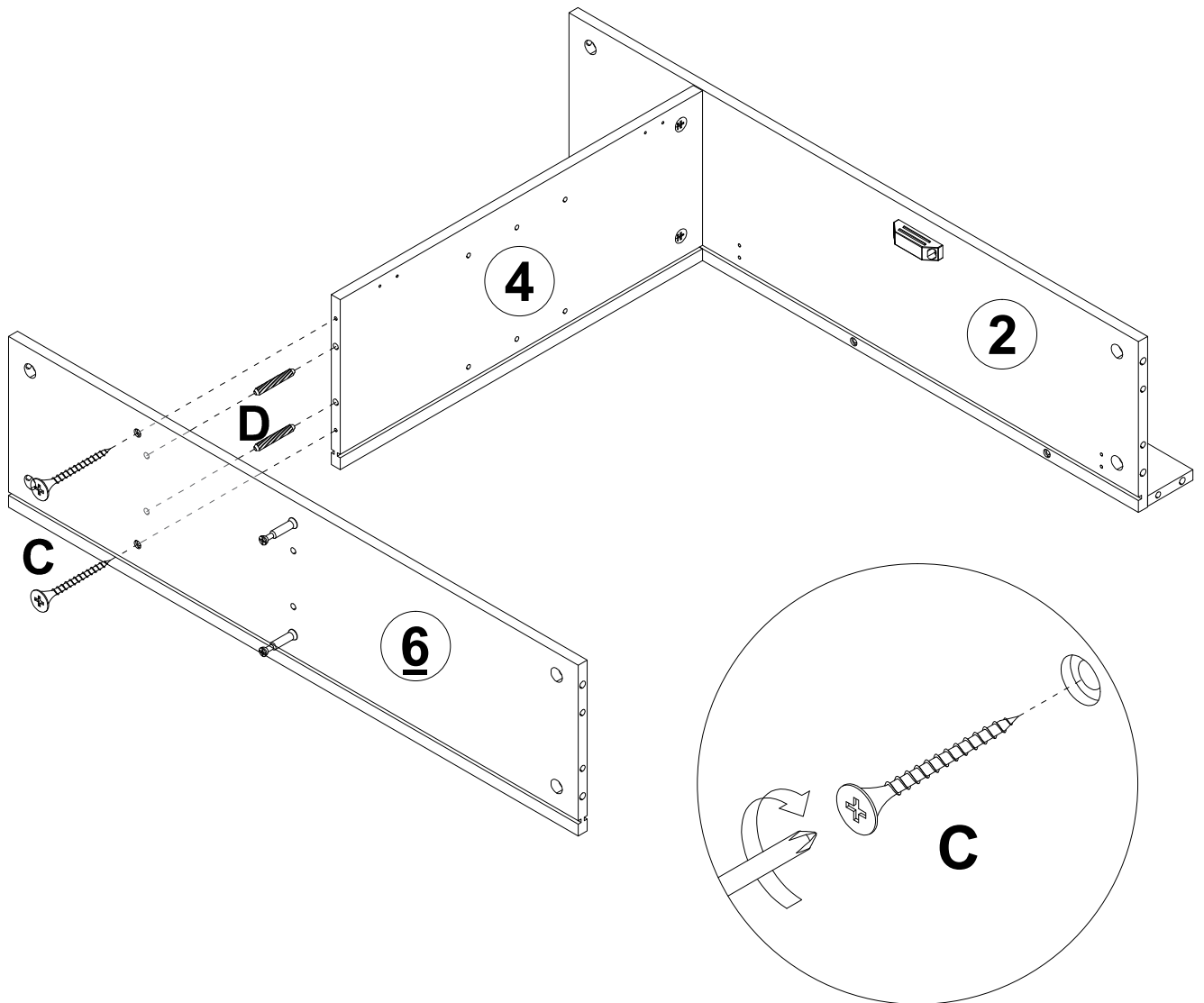


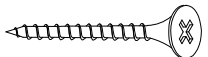

Step 11



	A x 12PCS
---	------------------

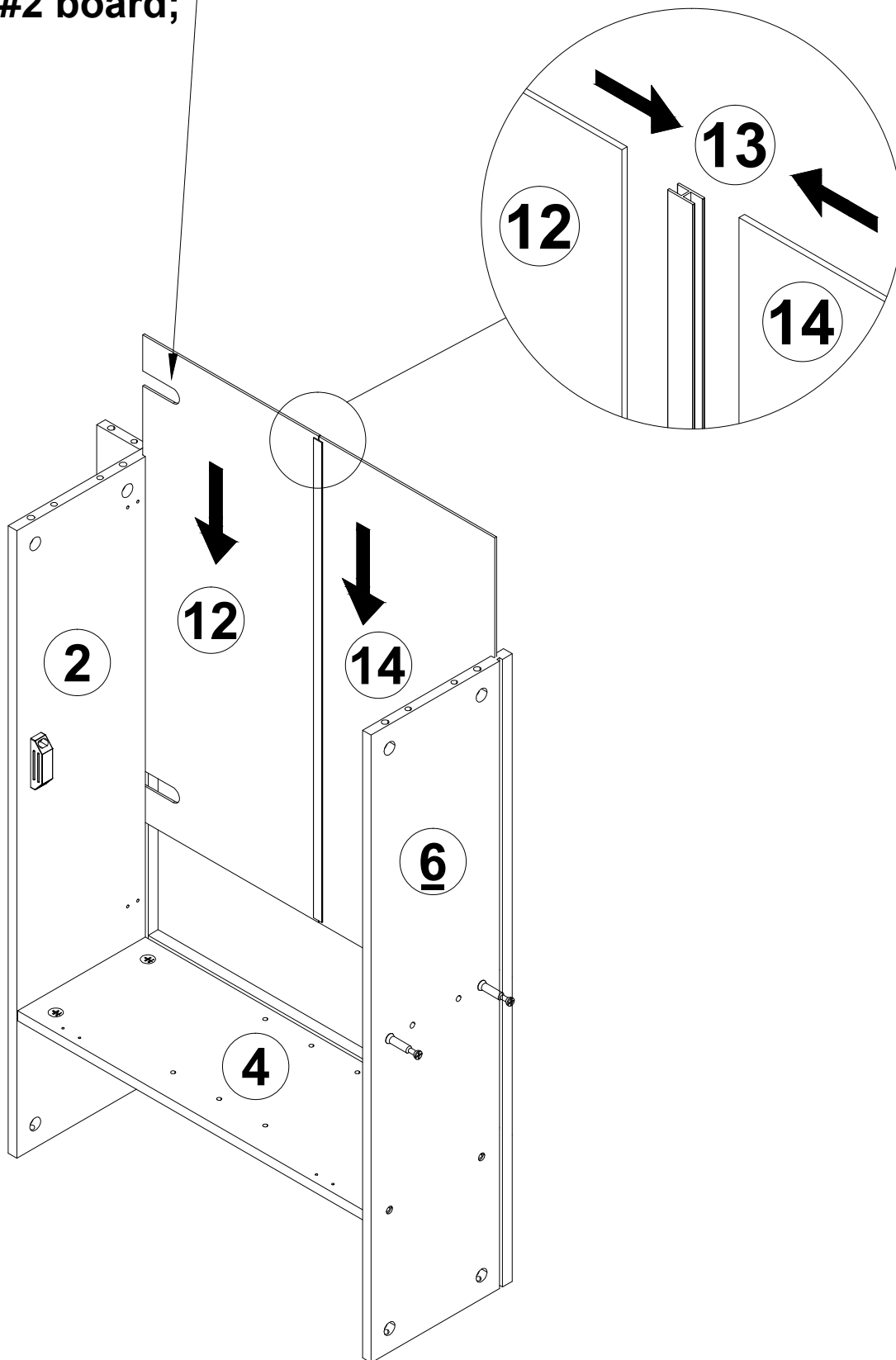
Step 12



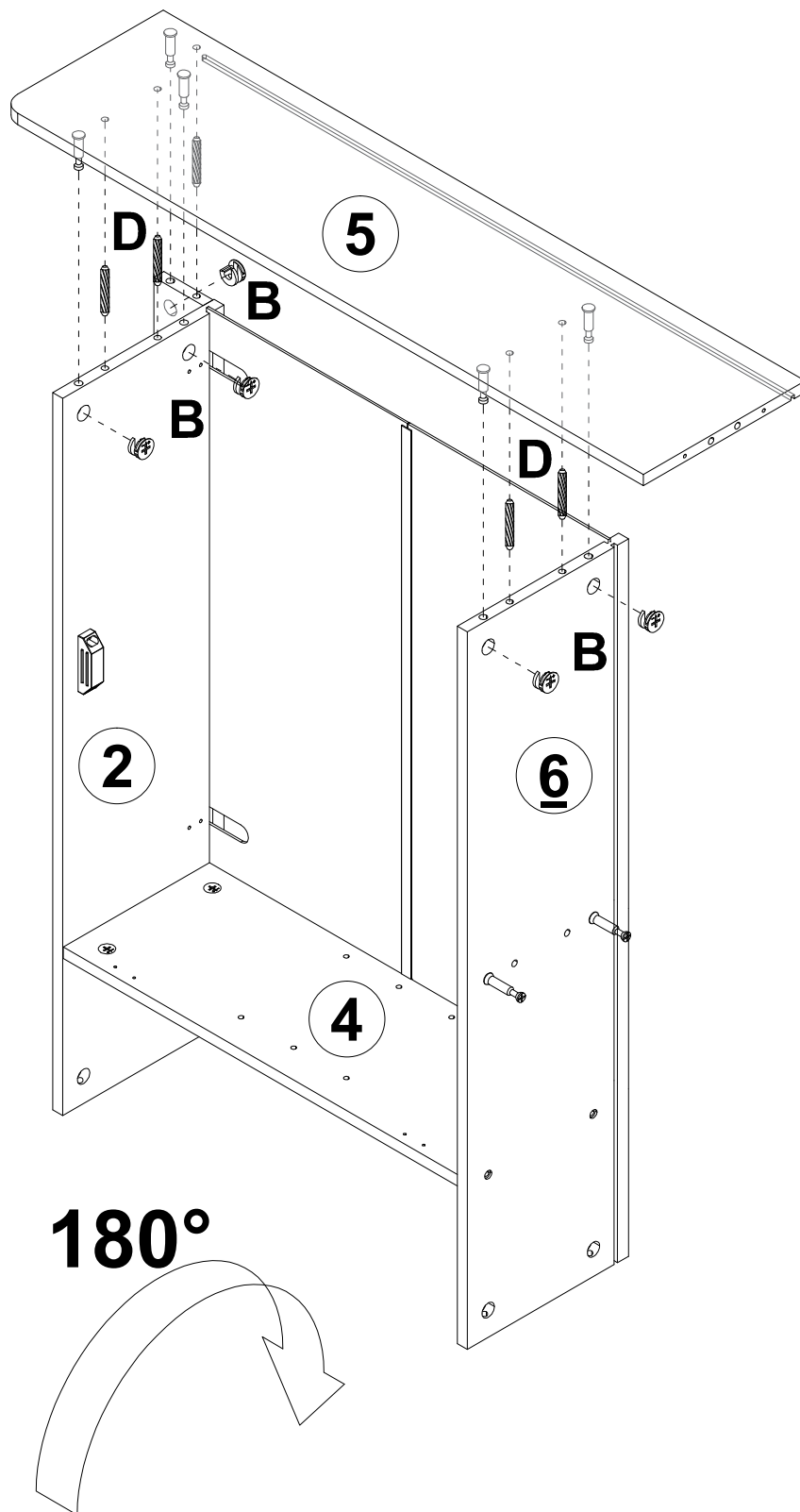
	C x 2PCS
	D x 2PCS


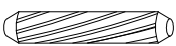
Step 13

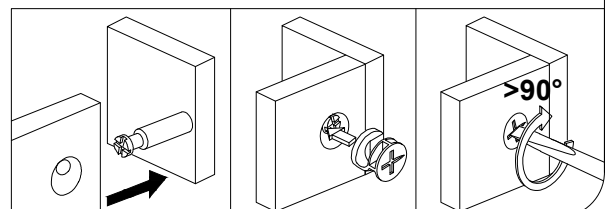
Note: The U-shaped slot should be toward #2 board;



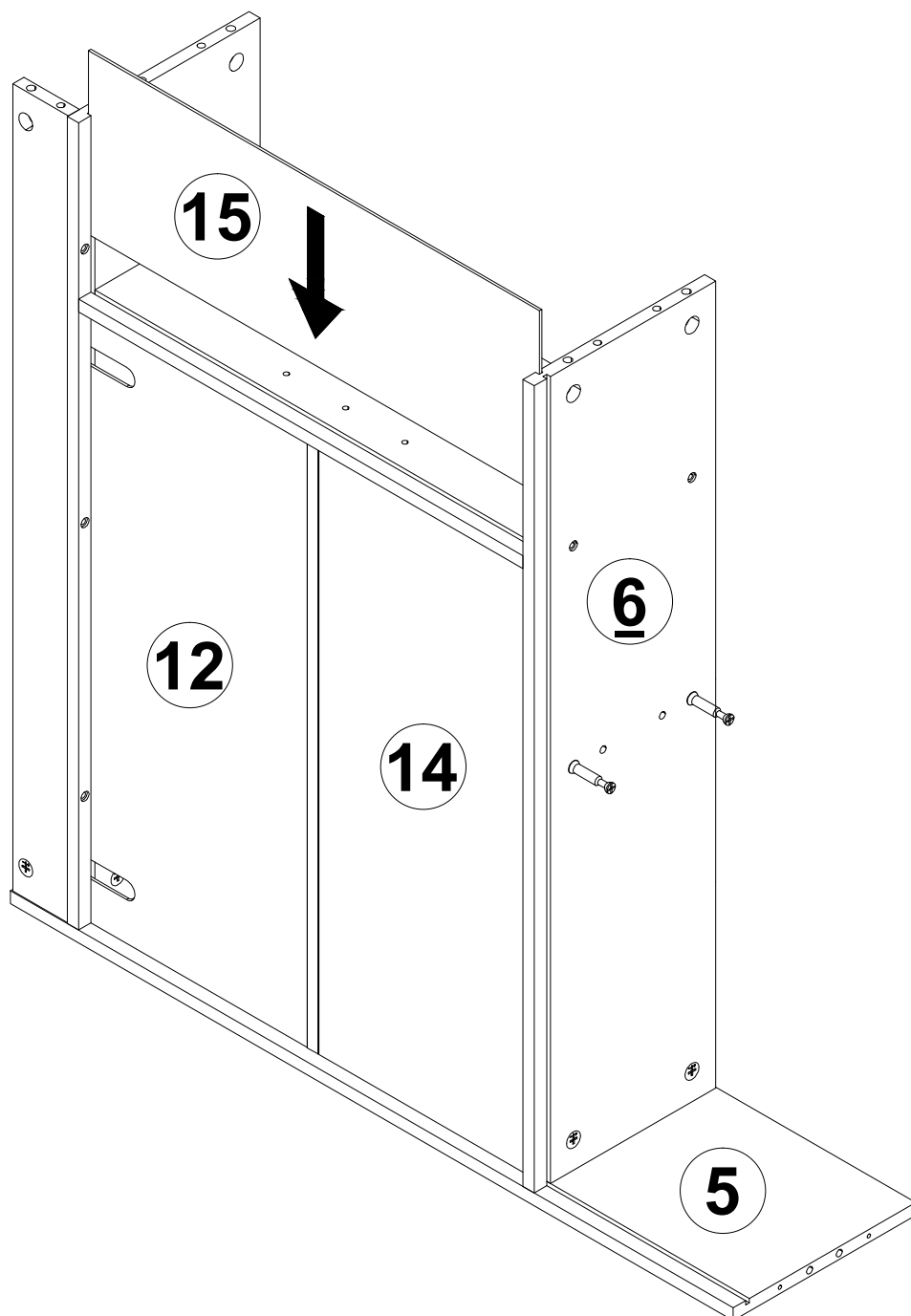
Step 14



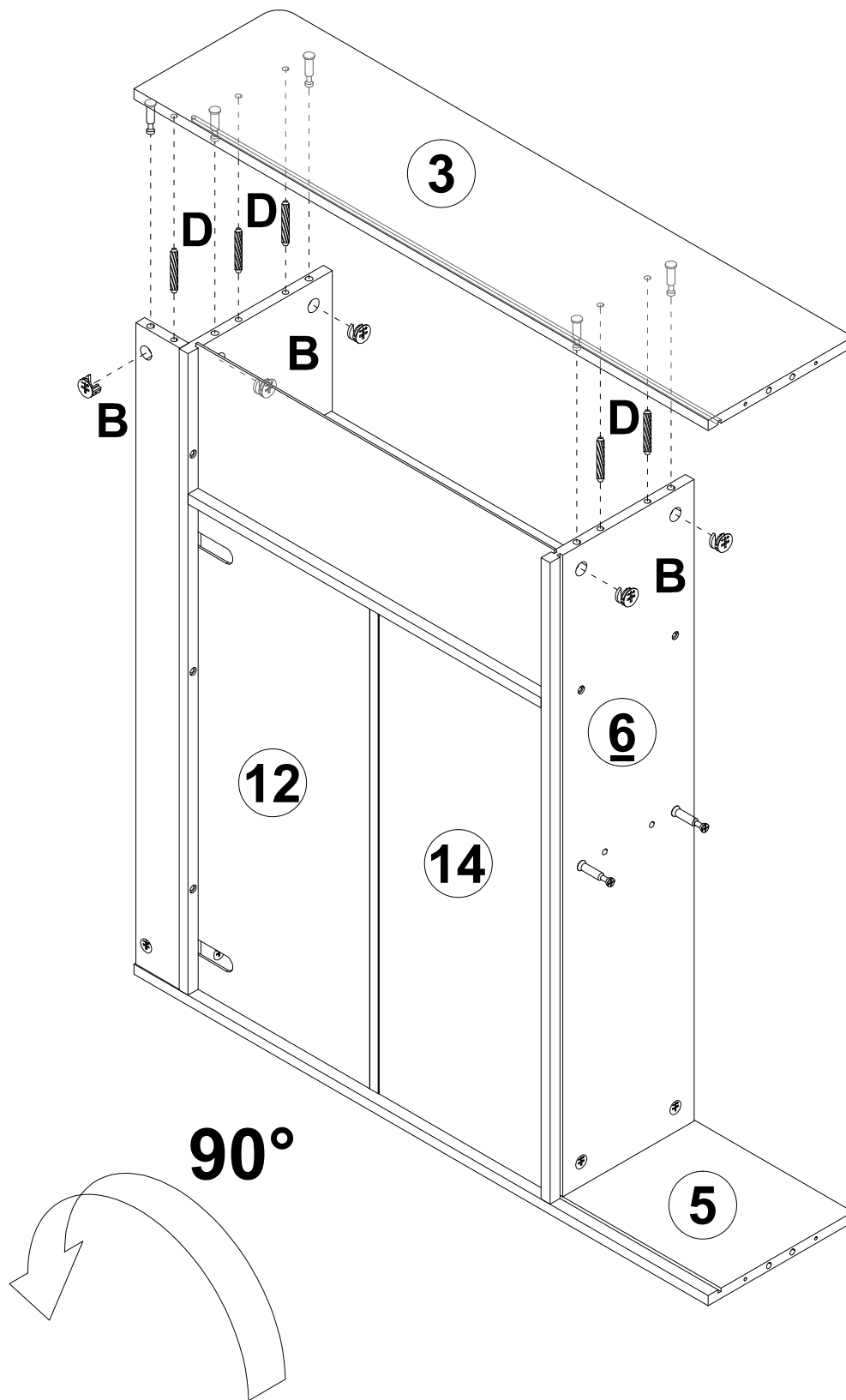
	B x 5PCS
	D x 5PCS





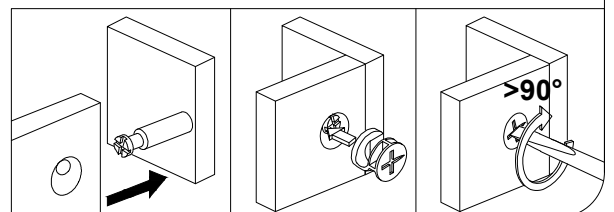
Step 15



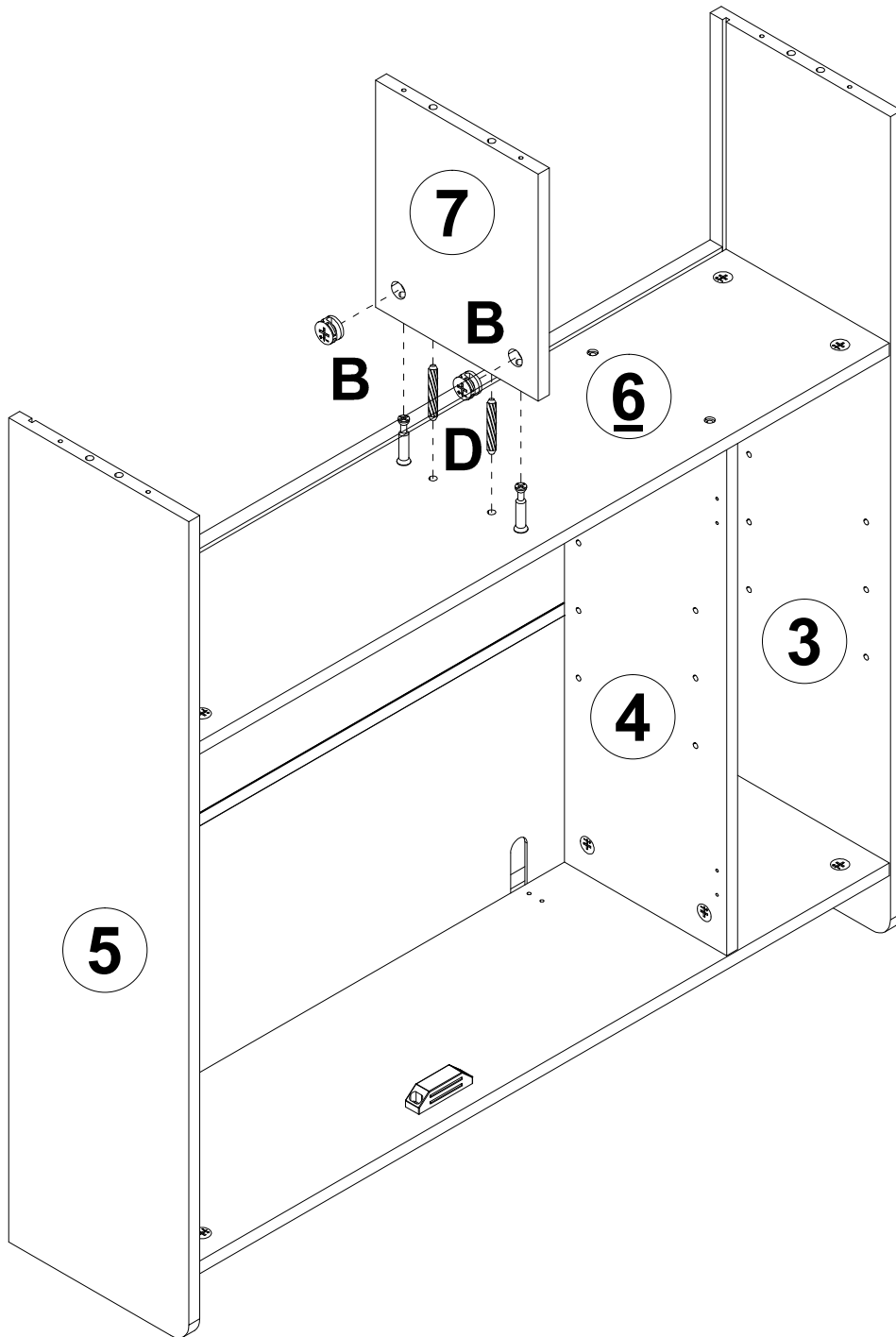
Step 16


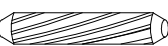


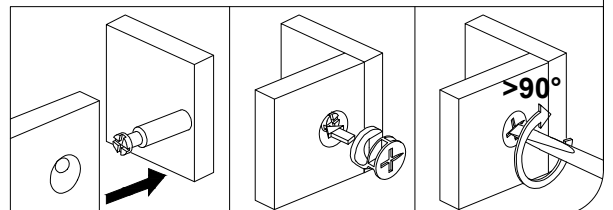
	B x 5PCS
	D x 5PCS



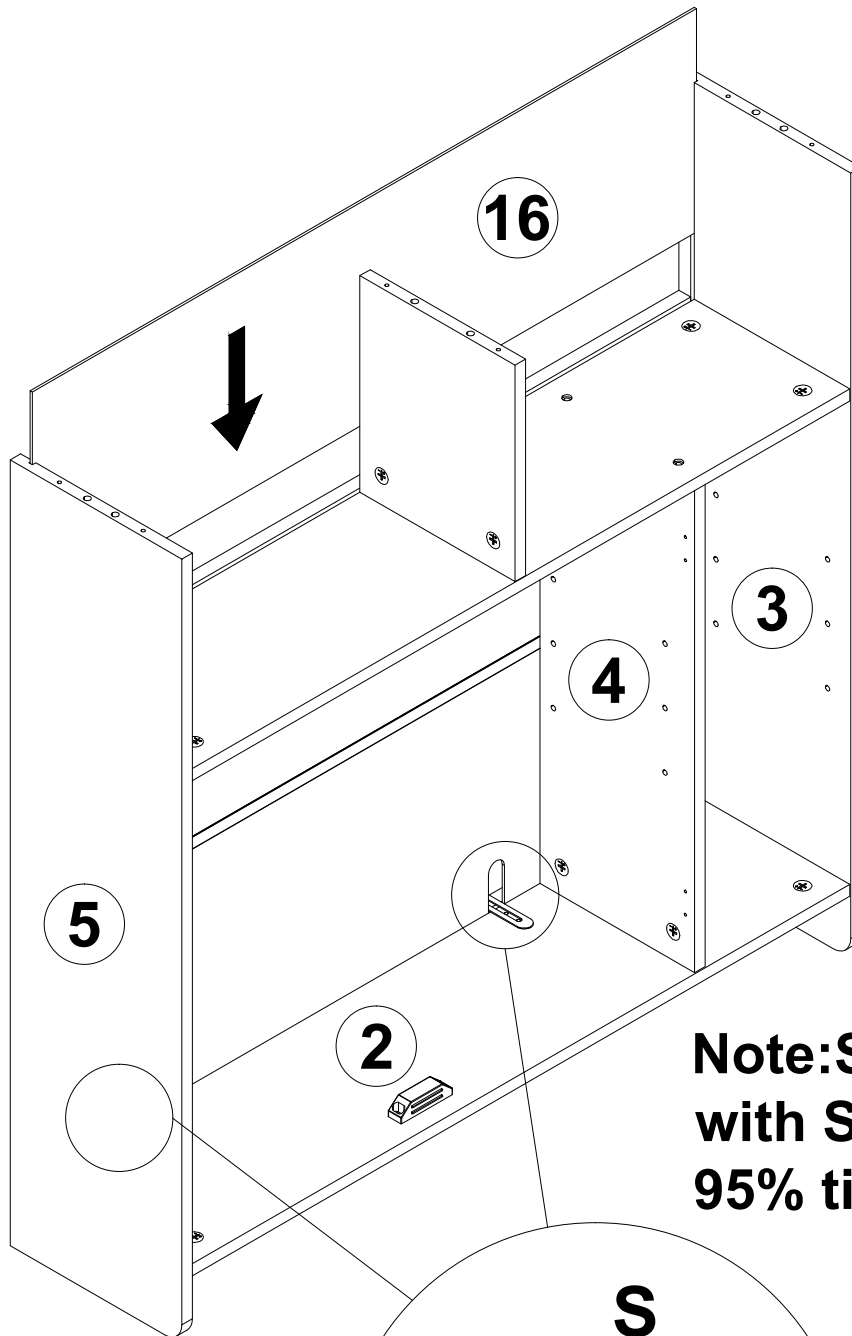
Step 17



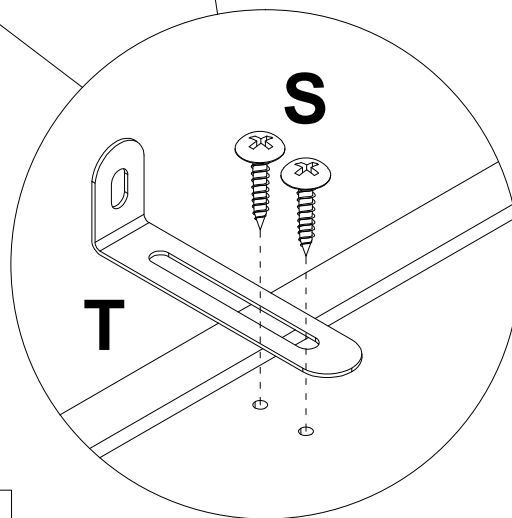
	B x 2PCS
	D x 2PCS

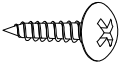
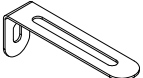


Step 18



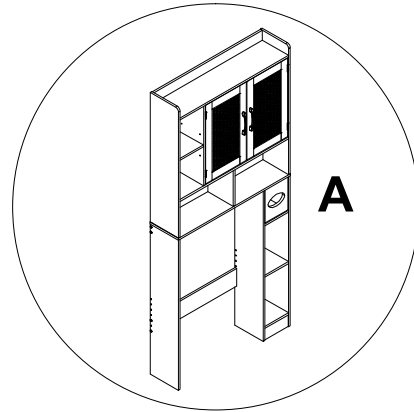
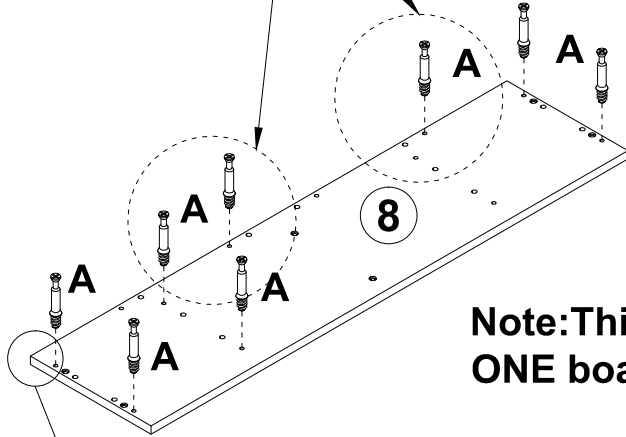
Note: Secure T with S to 95% tightness.



	S x 4PCS
	T x 2PCS

Step 19

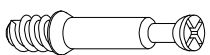
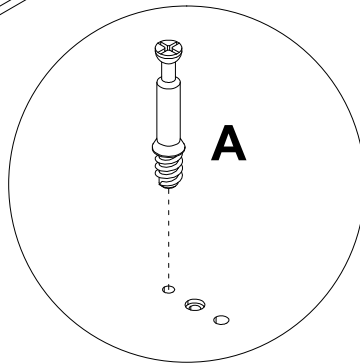
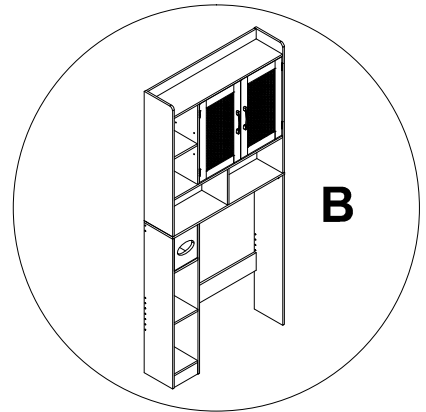
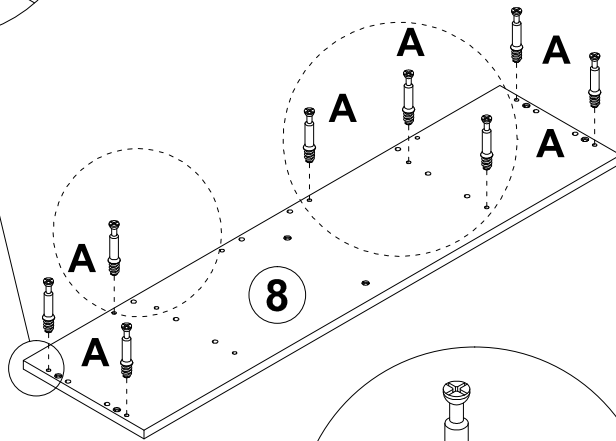
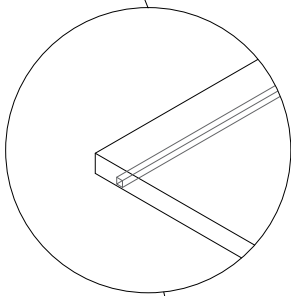
Note: Positions of cam dowels A in the middle differ between STYLE A and STYLE B;



Note: This step involves only ONE board #8;

OR

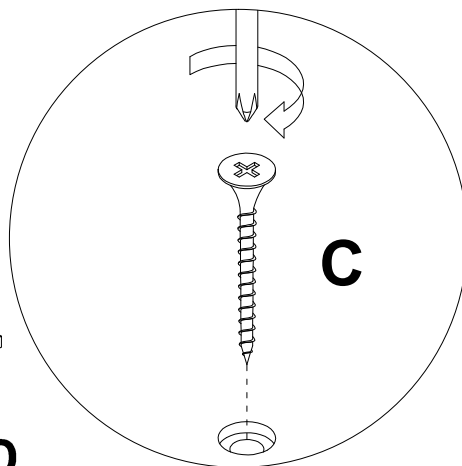
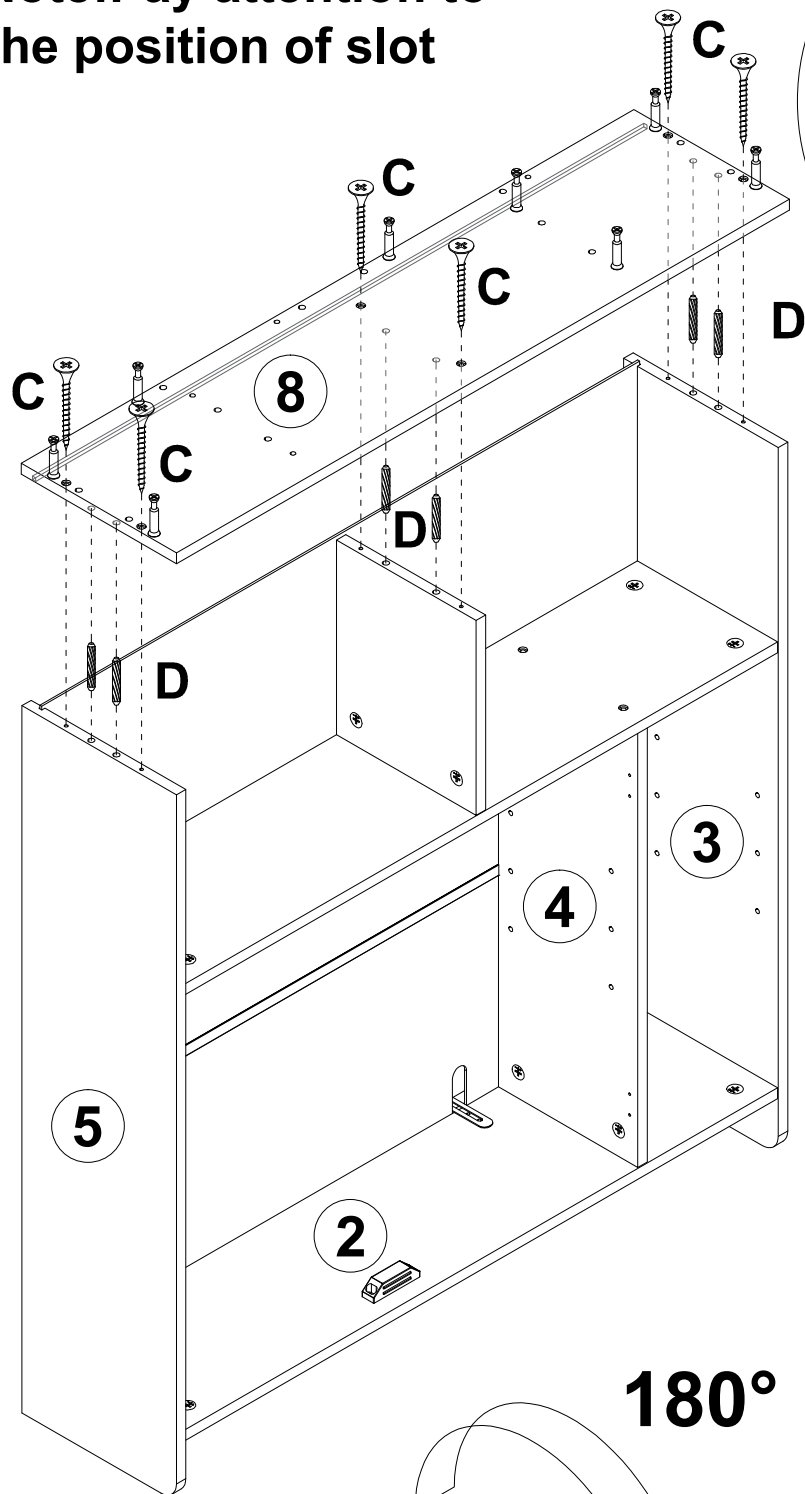
Pay attention to the position of slot.

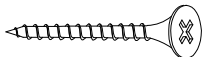



A x 8PCS

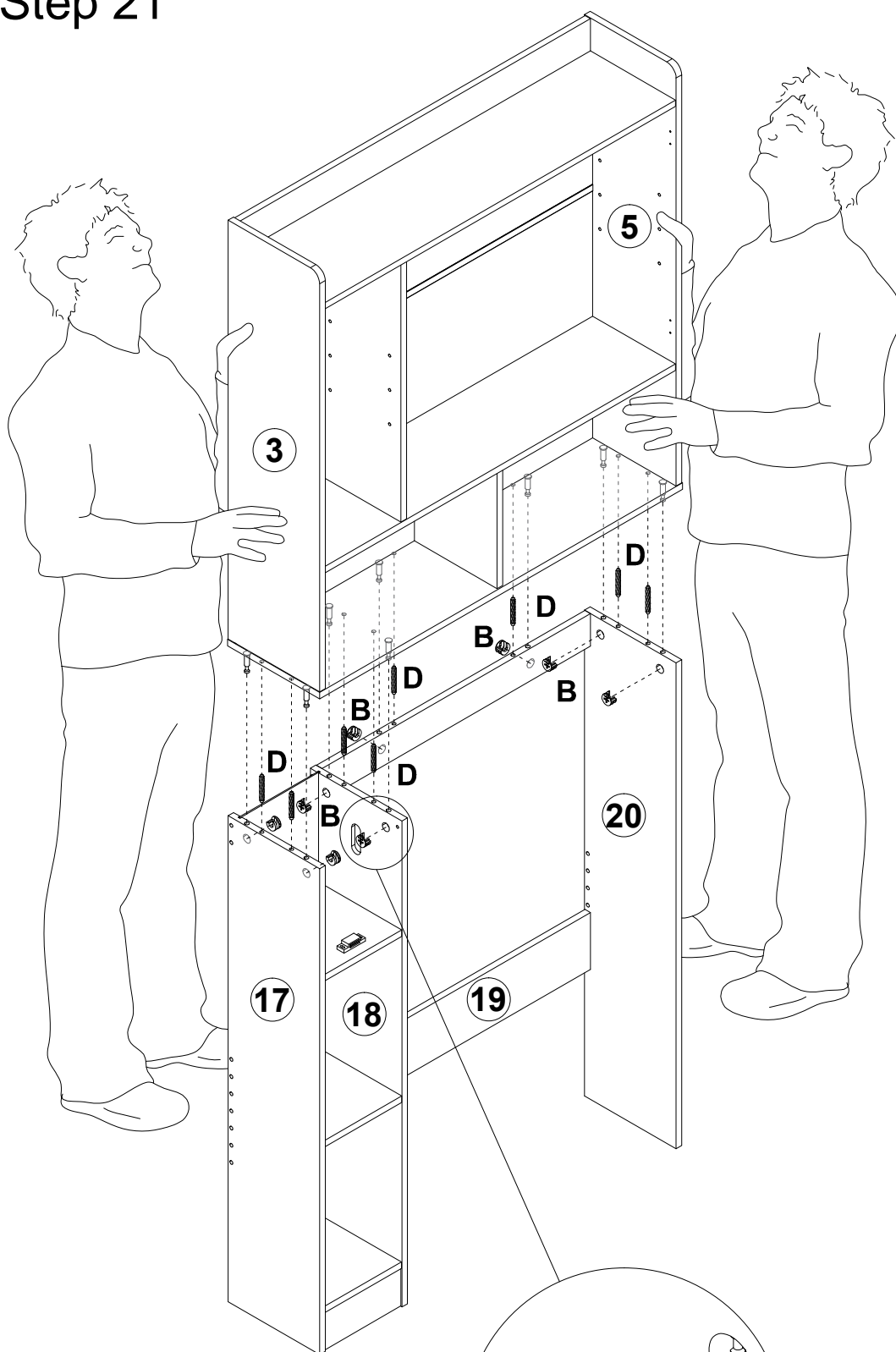
Step 20



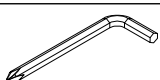
Note: Pay attention to the position of slot

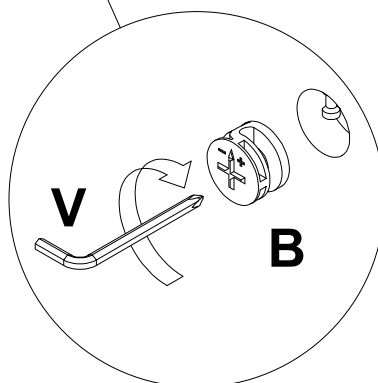


	C x 6PCS
	D x 6PCS

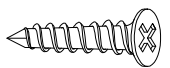
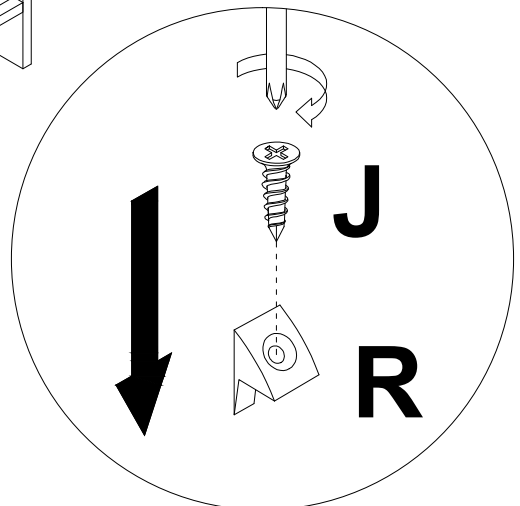
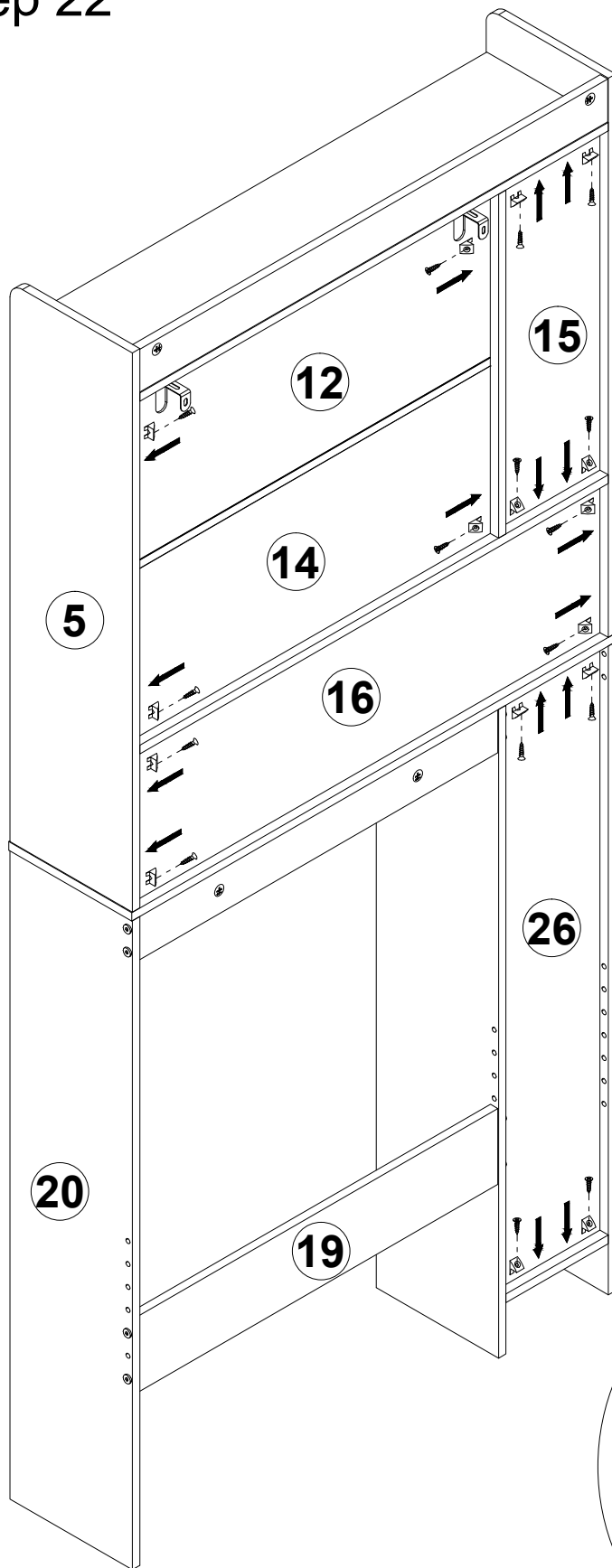
Step 21



	B x 8PCS
	D x 8PCS
	V x 1PC



Step 22



J x 16PCS

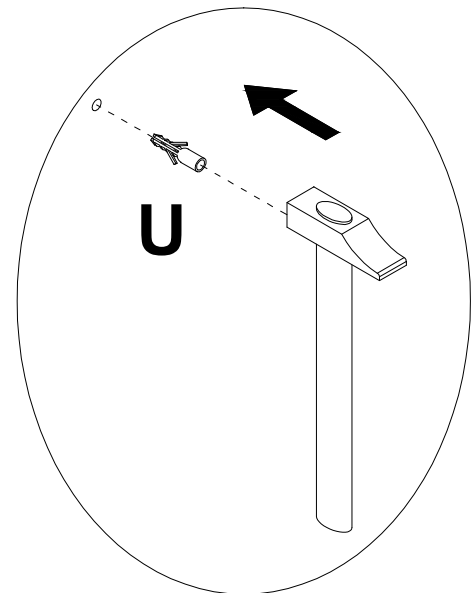
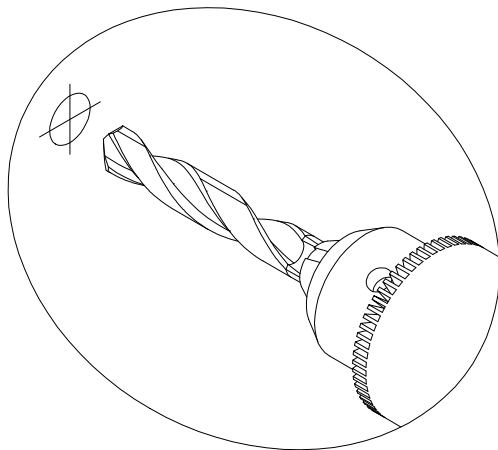


R x 16PCS

Step 23

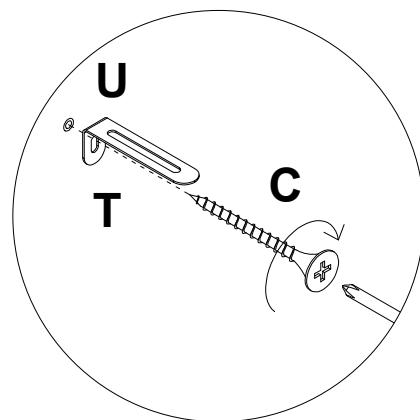
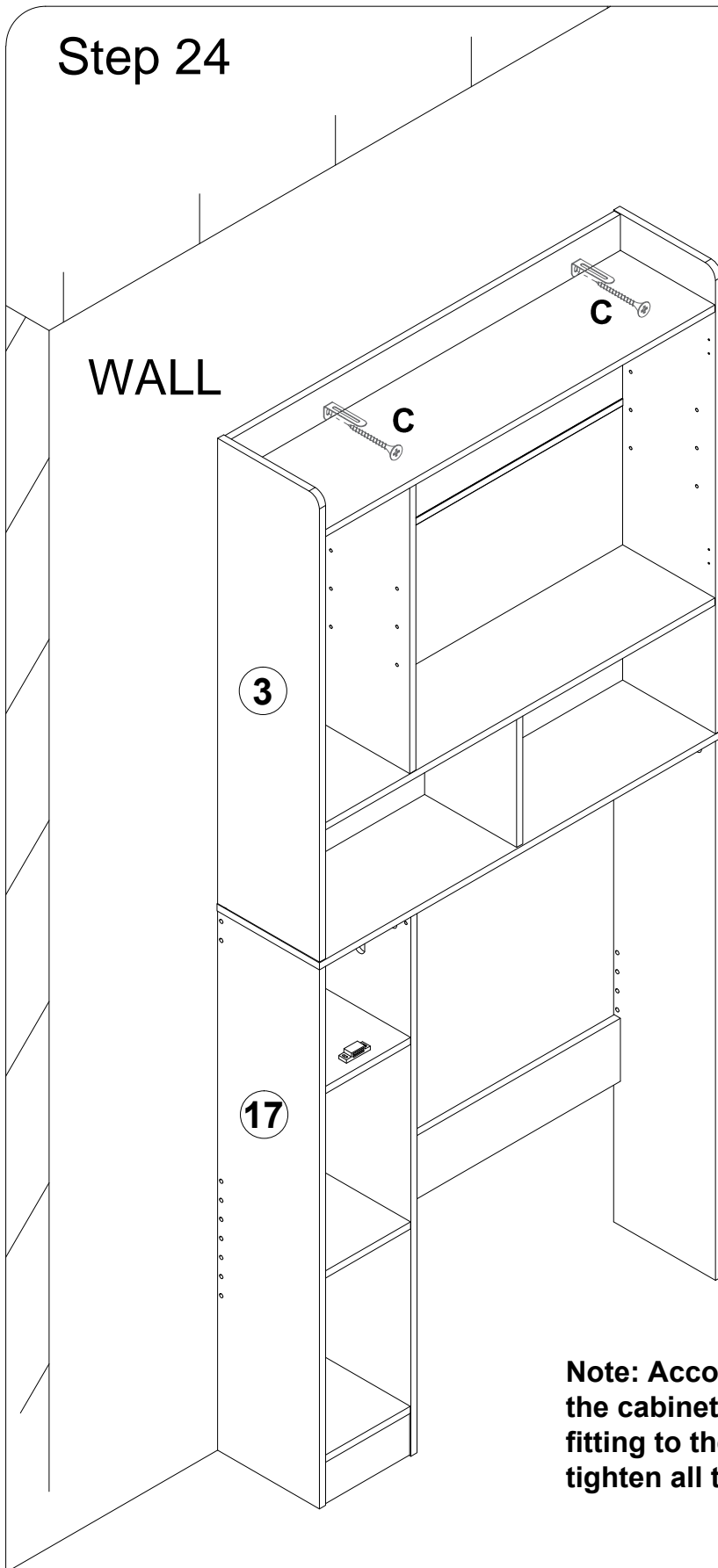
Drill 2 holes on the wall at the required position for anti-falling device installation.

WALL

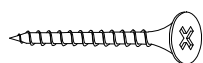


U x 2PCS

Step 24

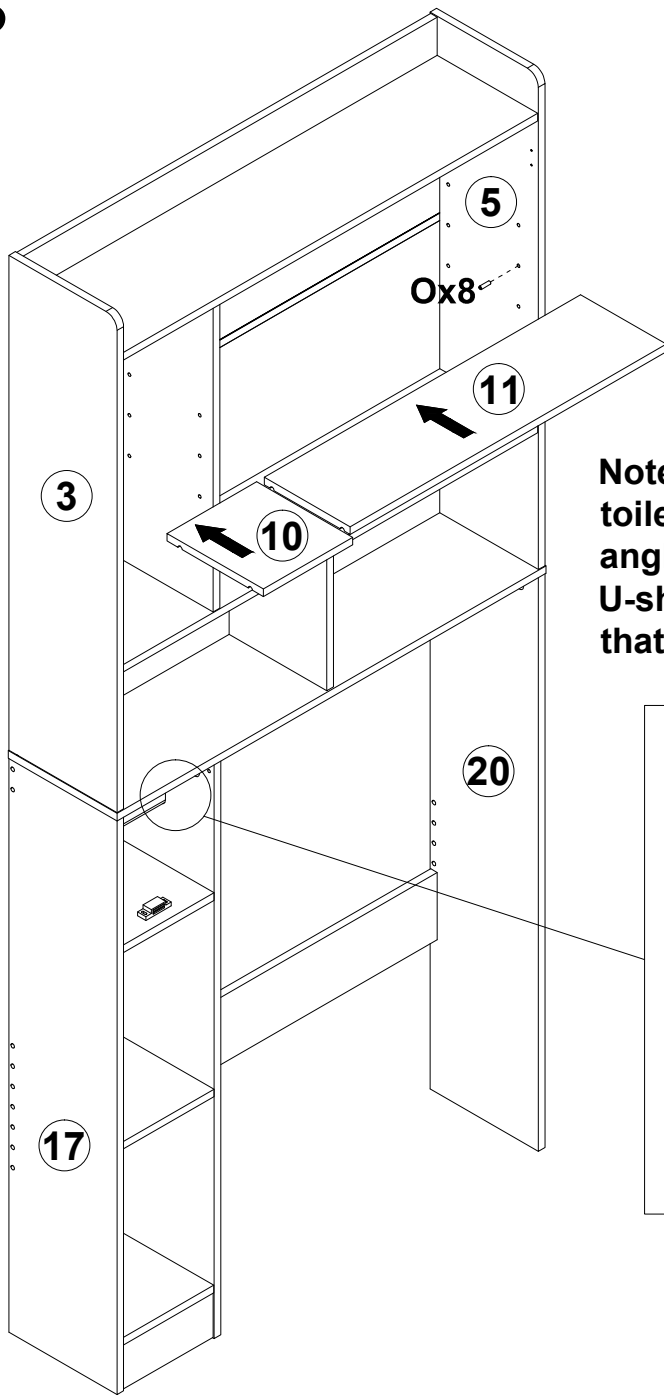


Note: According to the distance between the cabinet and the wall, adjust the #T fitting to the appropriate position and then tighten all the screw on the #T fitting.

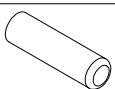
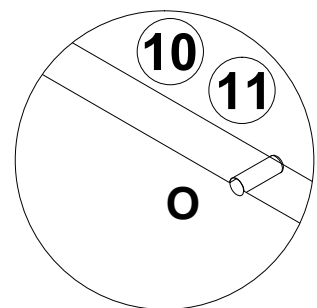
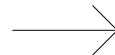
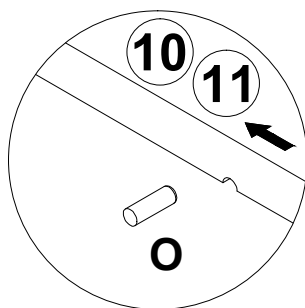
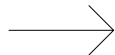
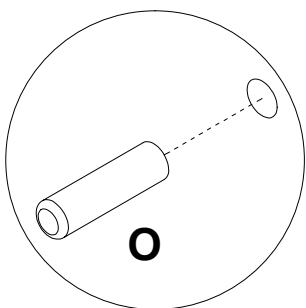
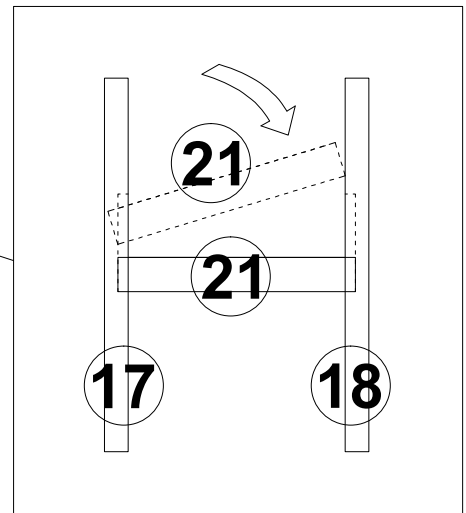


C x 2PCS

Step 25

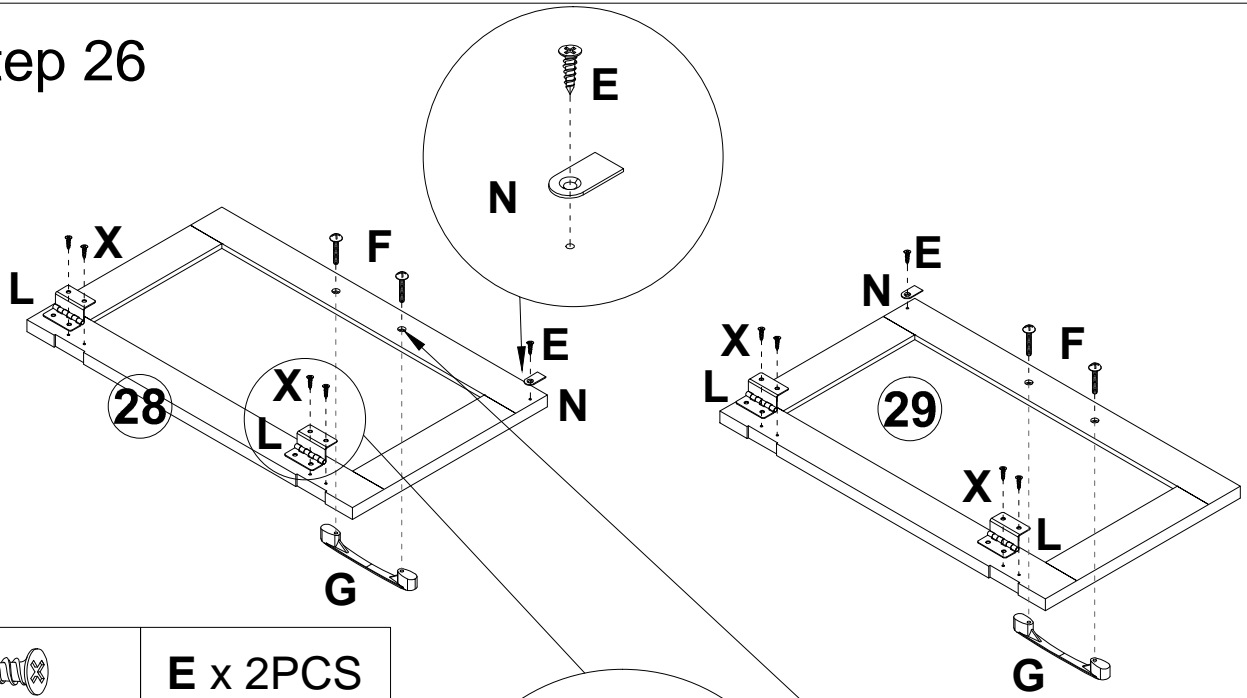



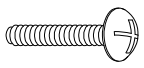
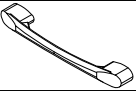
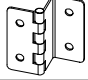


Note: To install or remove the toilet paper rod, angle it slightly to avoid the U-shaped slots that hold it in place.

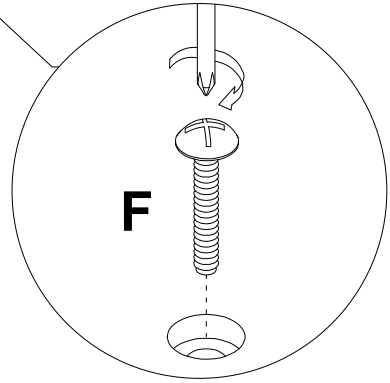
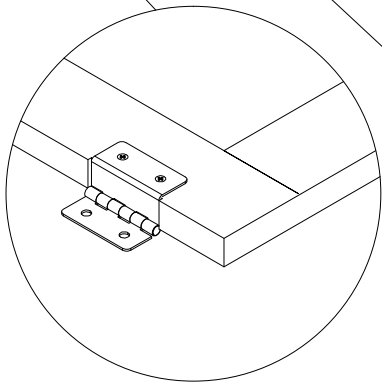


Ø x 8PCS

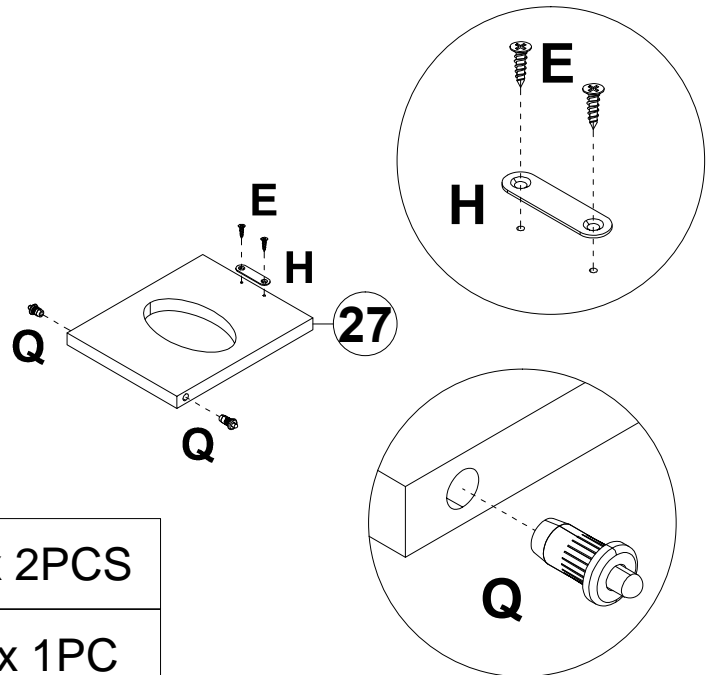
Step 26


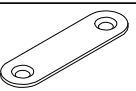



	E x 2PCS
	F x 4PCS
	G x 2PCS
	L x 4PCS
	N x 2PCS
	X x 8PCS



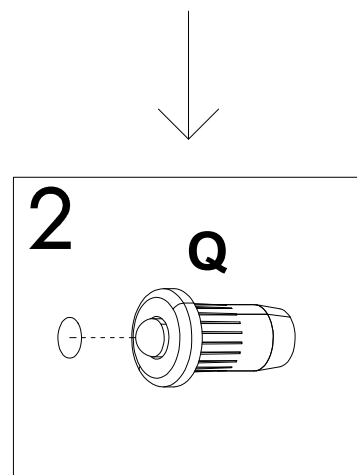
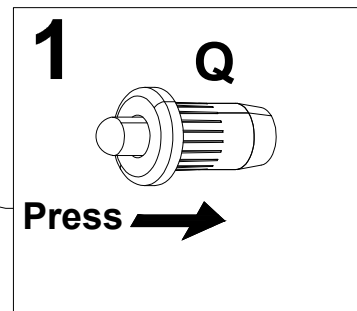
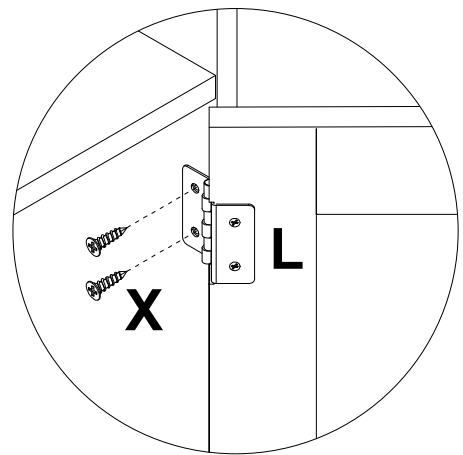
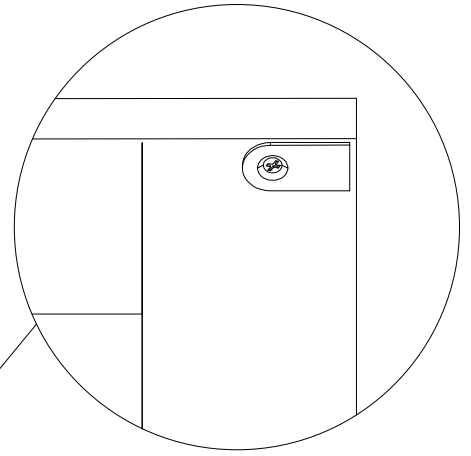
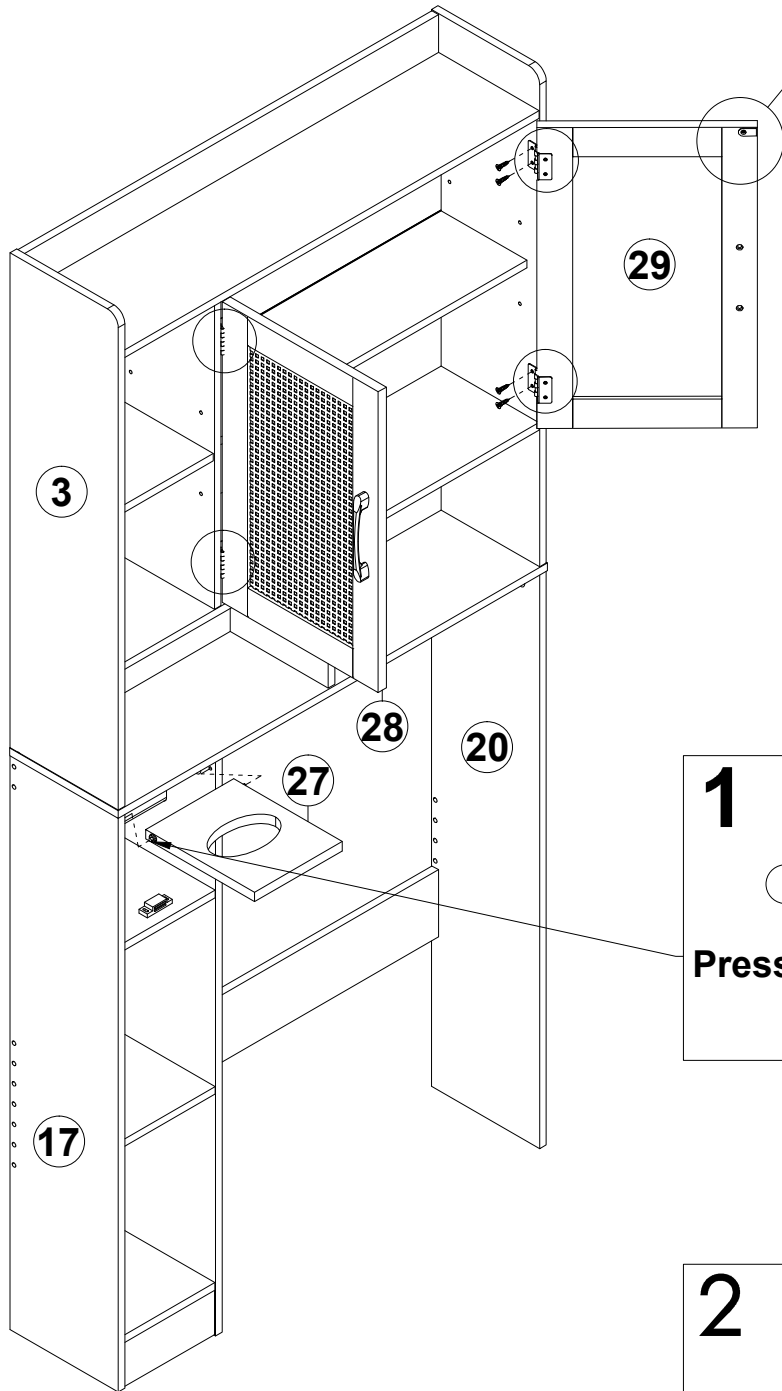
Step 27



	E x 2PCS
	H x 1PC
	Q x 2PCS

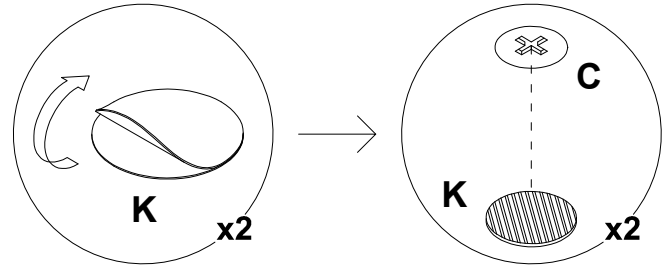
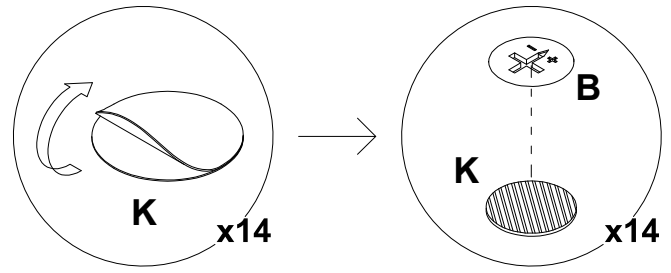
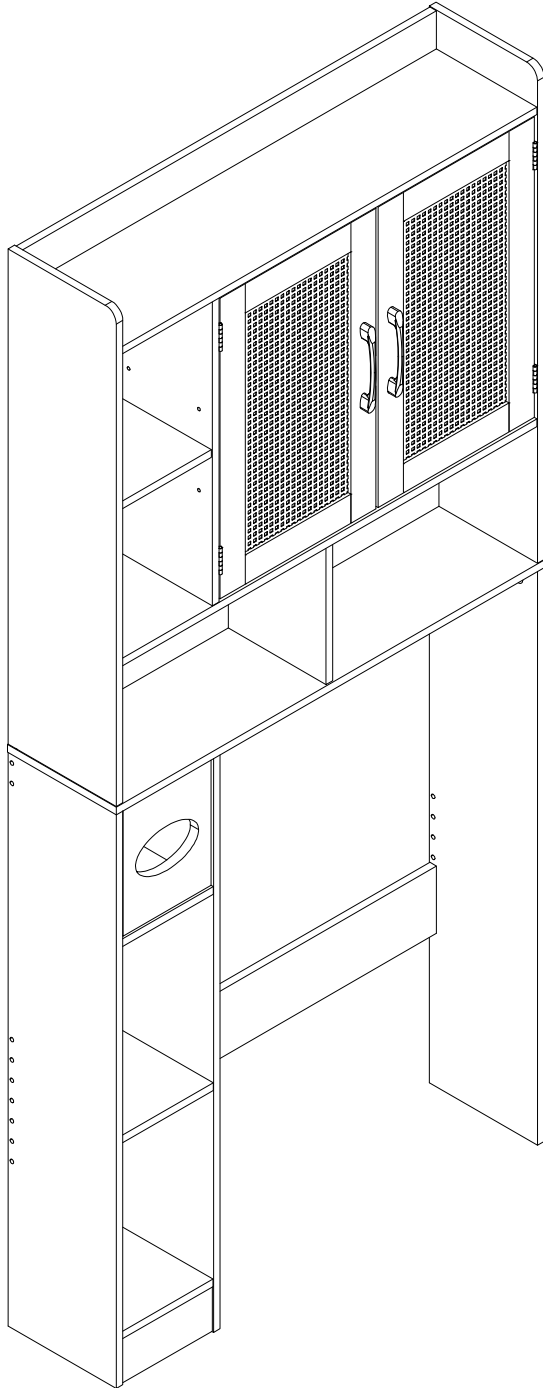
Step 28

Note: Door #28 is on the left, door #29 is on the right, The magnetic catch is on the upper inside of the doors;



X x 8PCS

Step 29



K x 52PCS



WARNING



Children have died from furniture tipover. To reduce the risk of furniture tipover:

- **ALWAYS** install Anti-tip device provided.
- **NEVER** put a TV on this product.
- **NEVER** allow children to stand, climb or hang on drawers, doors, or shelves.
- **NEVER** open more than one drawer at a time.
- Place heaviest items in the lowest drawers.

