

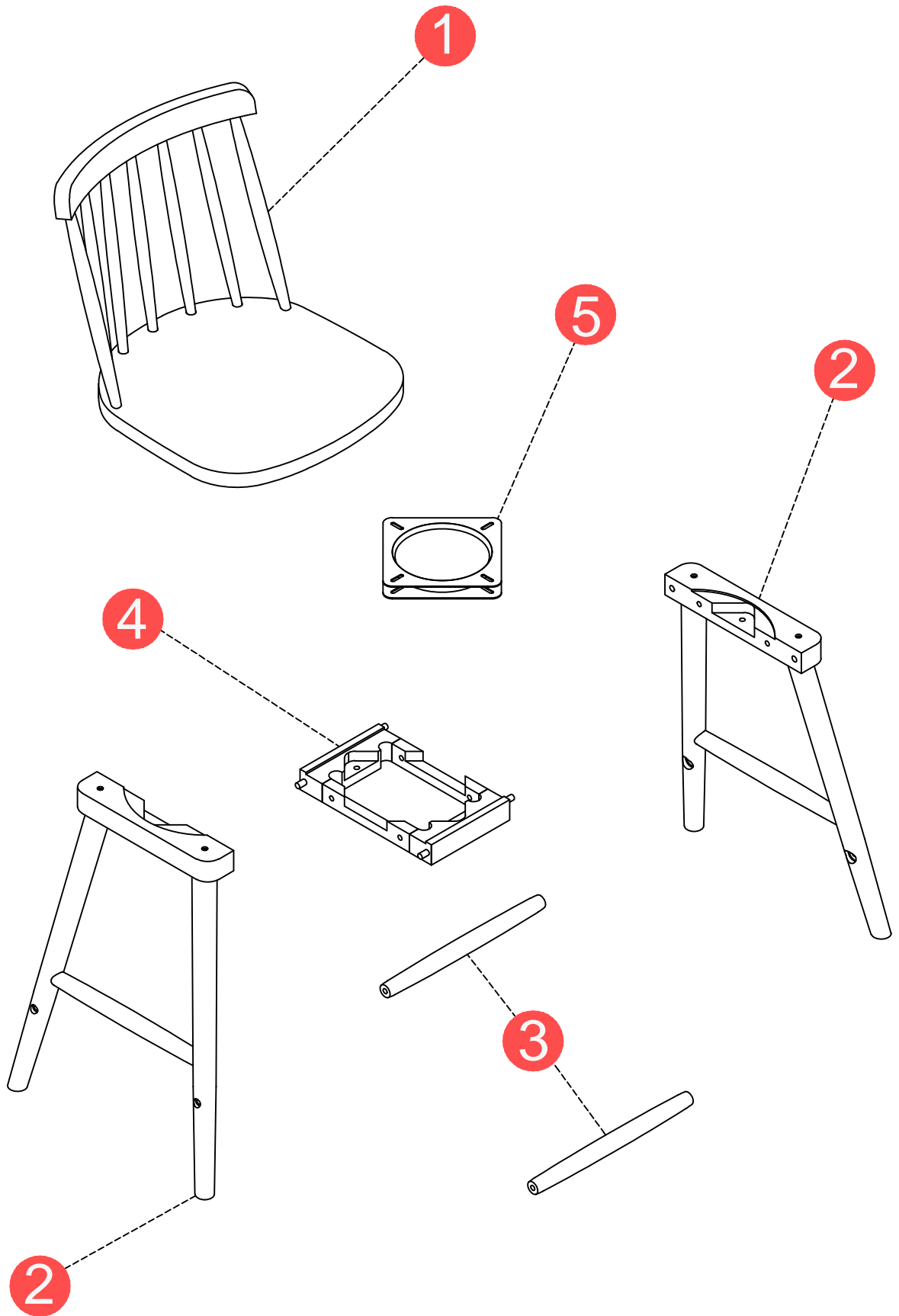
Attention: Do not tighten all the bolts & screws before all the allen bolts & screws are in place

USER'S MANUAL

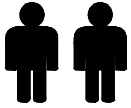
BarStools

20NDVNBC2501BK

DETAIL:



BEFORE YOU GET STARTED, A FEW POINTS



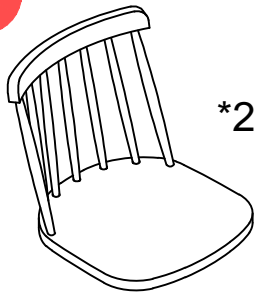
Having a friend to help makes assembly extra-easy



Mind the important safety information

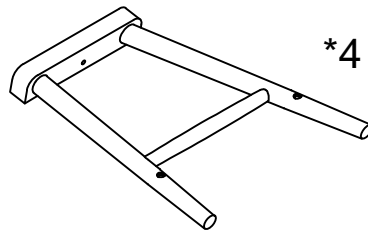
PLEASE MAKE SURE ALL THE PARTS ARE INCLUDED

1



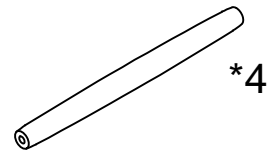
Seat

2



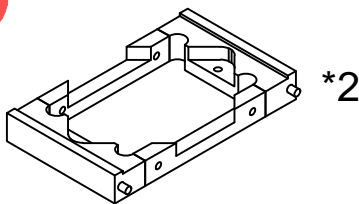
Legs

3



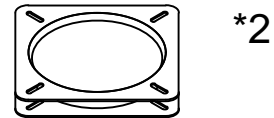
Cross Bar

4



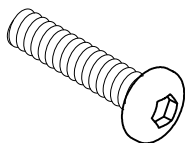
Seat Frame

5



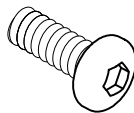
Swivel Plate

A



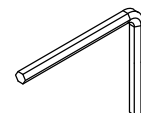
Bolts
1/4"x40mm
(16pcs)

B



Bolts
1/4"x15mm
(16pcs)

C



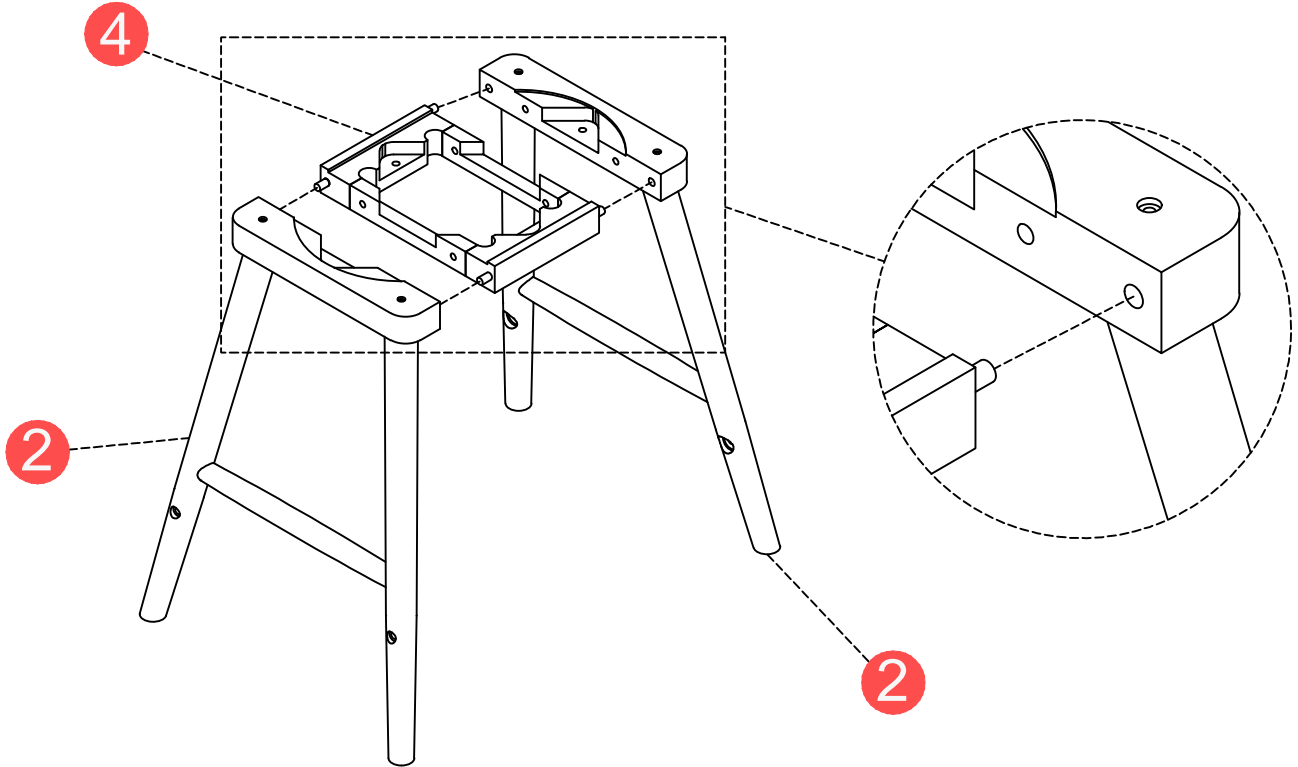
Allen Key
M4x60mm
(1pc)

Missing parts?  hyltech@outlook.com

ASSEMBLY INSTRUCTIONS - ATTENTION

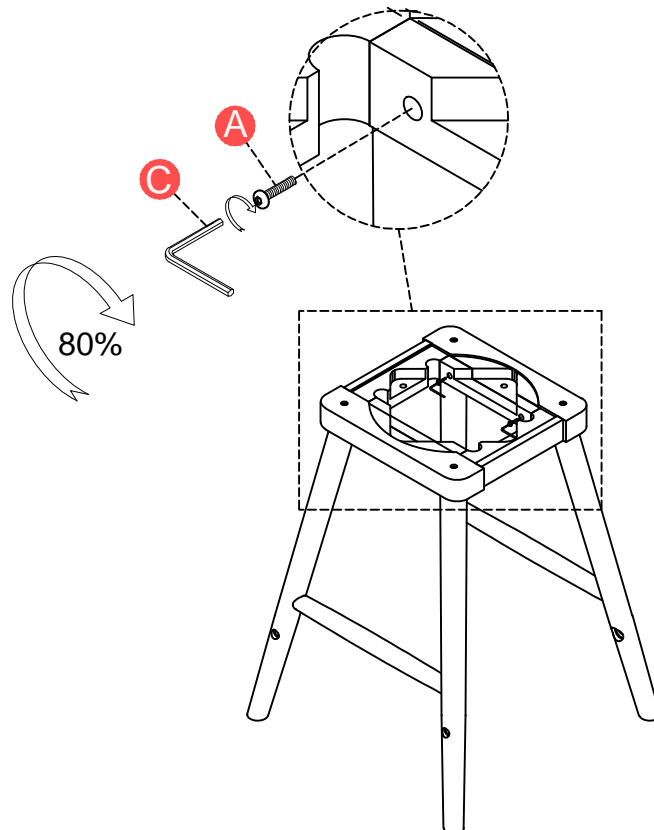
Step 1:

Install the Legs ② to the Chair Frame ④.



Step 2:

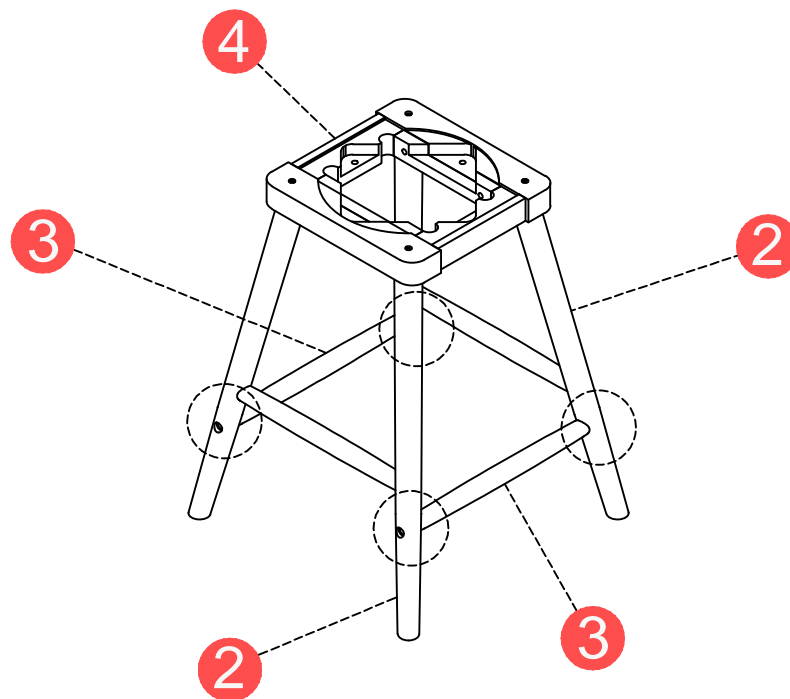
Please only tighten bolts A to 80% in this step.



ASSEMBLY INSTRUCTIONS - ATTENTION

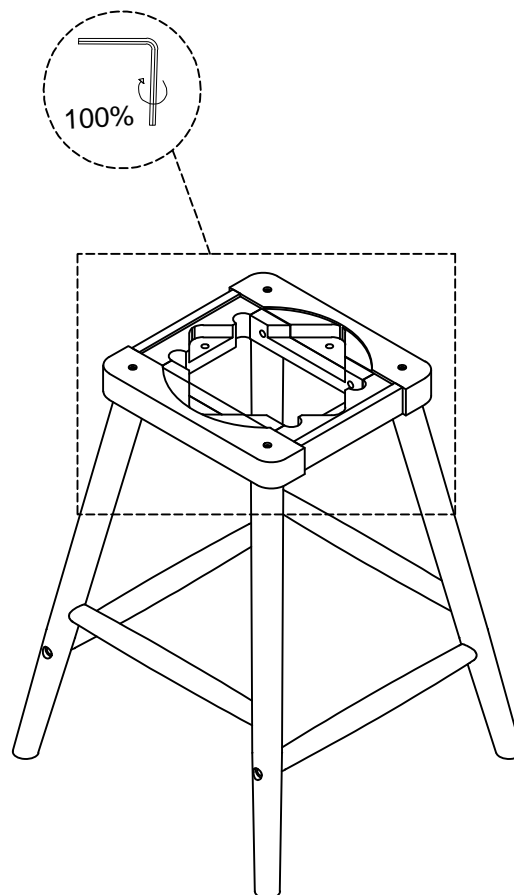
Step 3:

Install the Cross Bsr ③ to the 2 legs ②



Step 4:

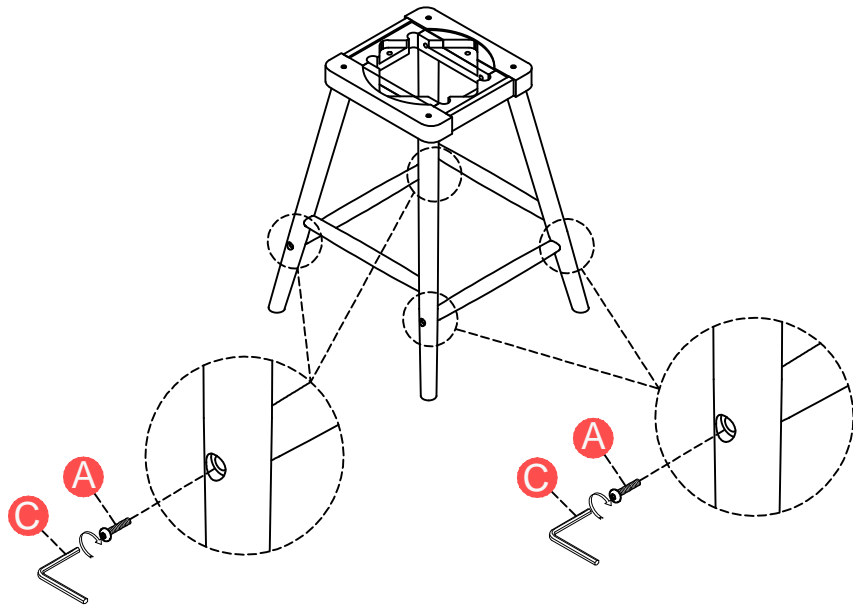
Please tighten bolts A to 100% in this step.



ASSEMBLY INSTRUCTIONS - ATTENTION

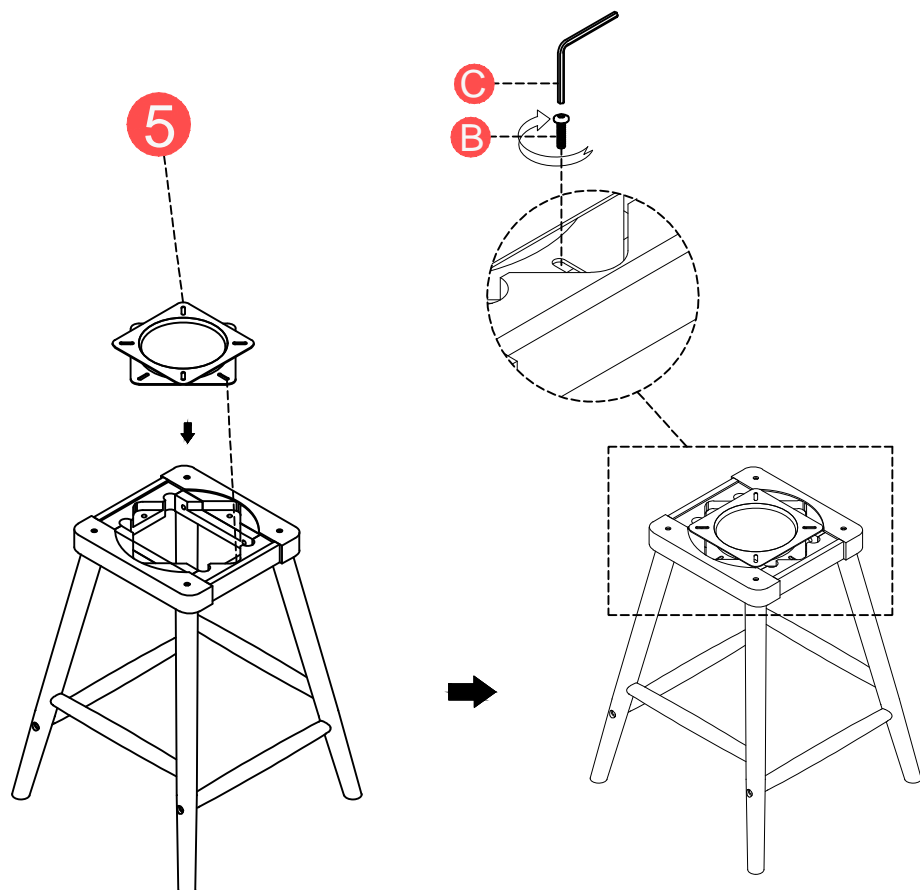
Step 5:

Please tighten bolts A to 100% in this step.



Step 6:

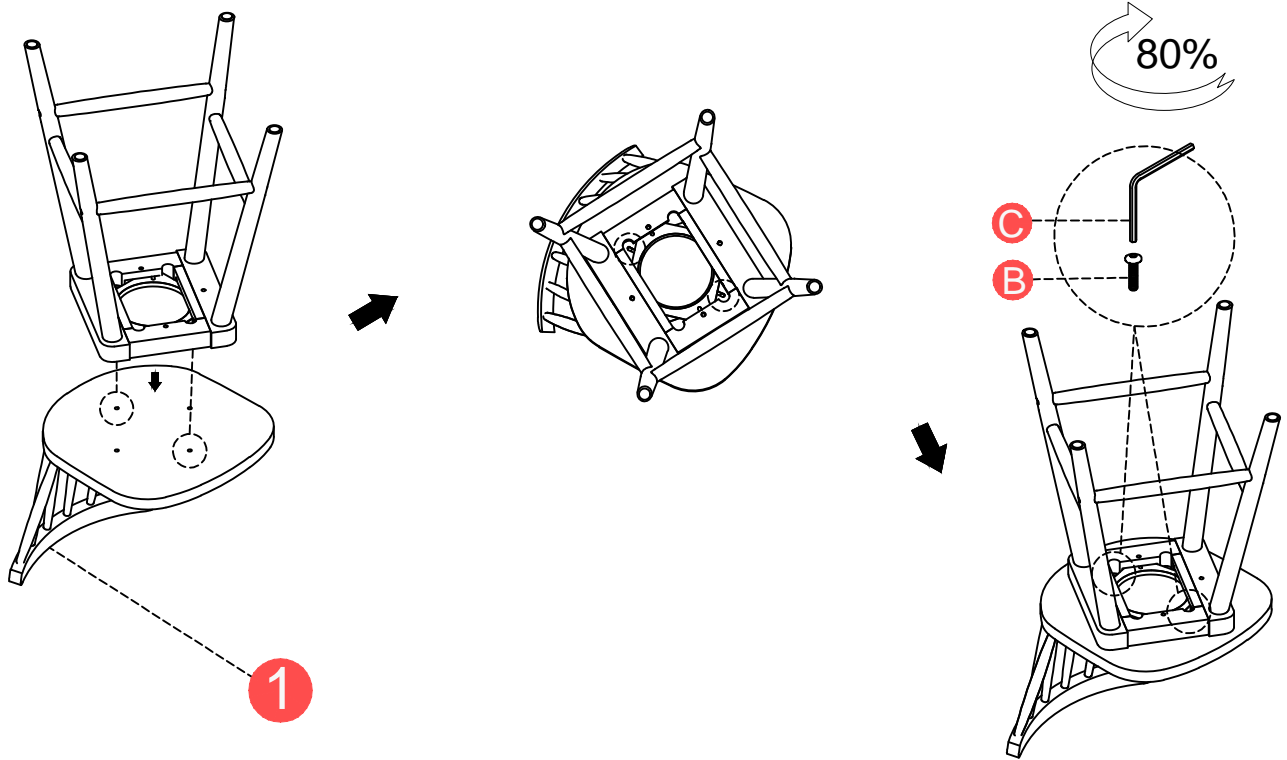
Rotate the Swivel Plate to make the upper and bottom parts cross and separate. Align the four holes in the bottom part with the four screw holes on the Seat Frame, and tighten completely with bolts B.



ASSEMBLY INSTRUCTIONS - ATTENTION

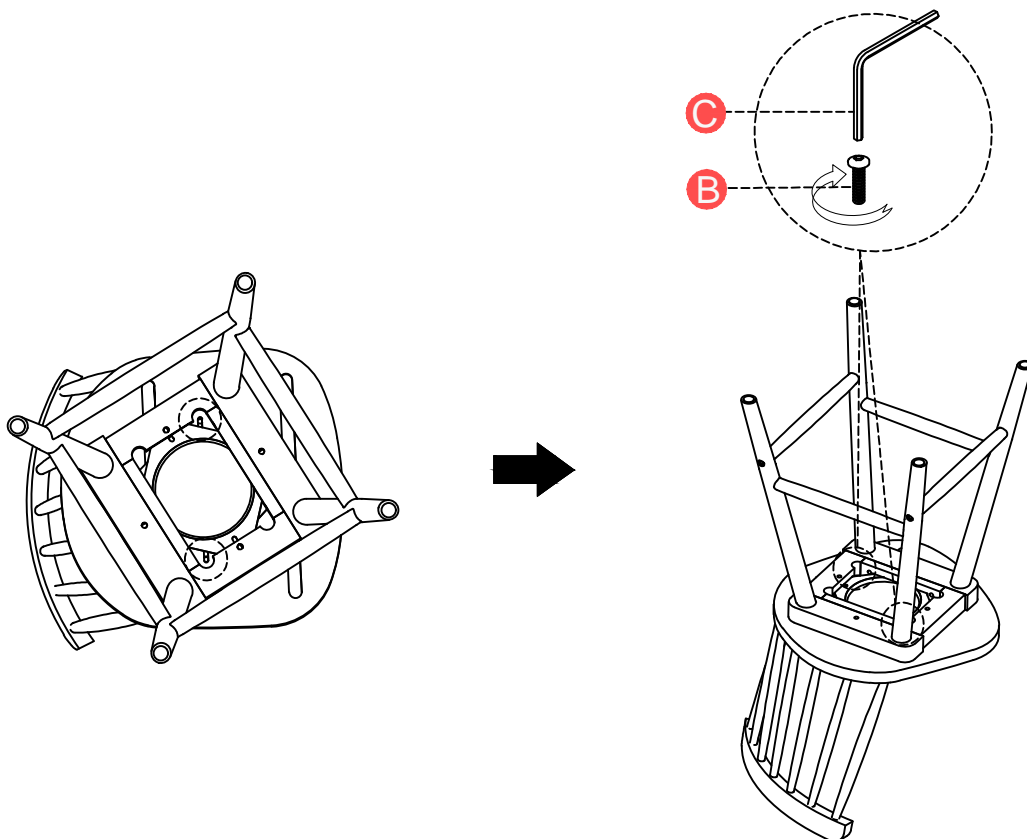
Step 7:

Align the four holes in the upper part with the four screw holes at the bottom of the Seat, connecting them with bolts B.



Step 8:

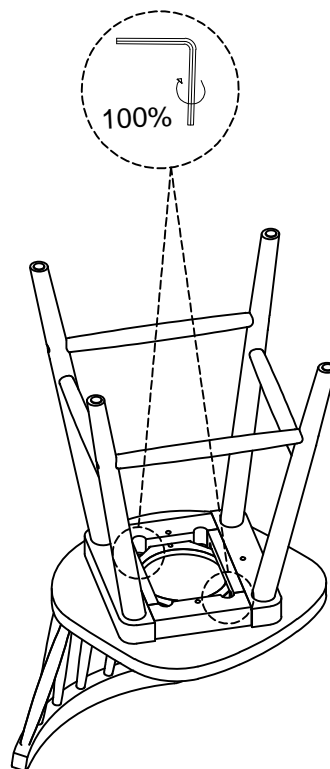
Please tighten bolts B to 100% in this step.



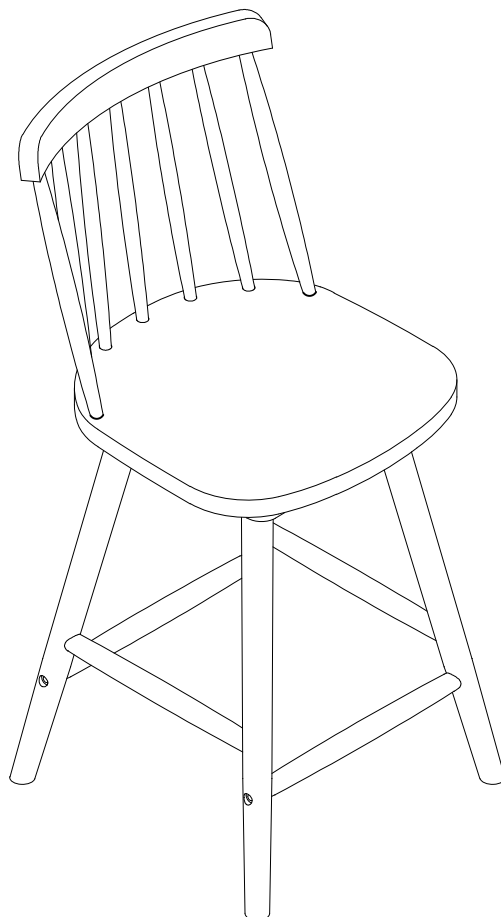
ASSEMBLY INSTRUCTIONS - ATTENTION

Step 9:

Please tighten bolts B to 100% in this step.



Completed:





WARNING



Read the instructions carefully.



Please follow the assembly steps

Safety maximum Weight: 250 LBS

To ensure proper assembly, follow all steps and use all parts, do not use power tools. Failure to follow this warning can result in serious injury to yourself or others.

Please inspect all items before assembly, if for any reason you need to return this item, please kindly return in its original packaging.

To avoid misalignments, leave the screws loose and do not tighten them until all are in their respective places.

Do not tighten all bolts and screws completely until the entire unit has been assembled and set up.

Do not over tighten or force the screws as they could break, strip, or damage the threads of the holes.

Using the wrong size of screws on a part could result in damage to the screw or the part.

Lubricate all moving parts and tighten all bolts/screws every 6 month or whenever needed.

Do not use if this product become damaged, and/or components are broken or missing.