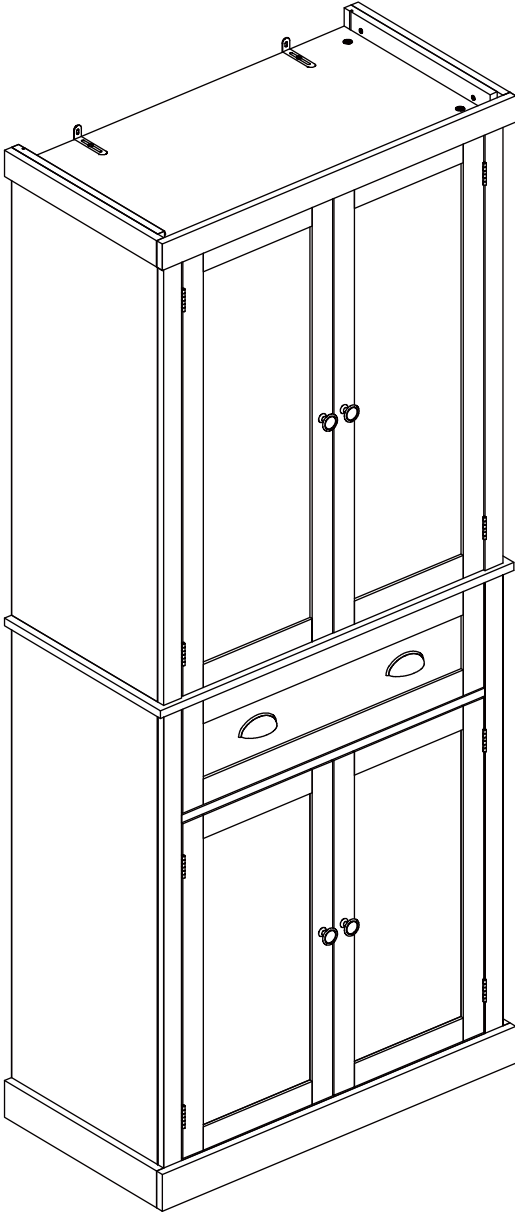
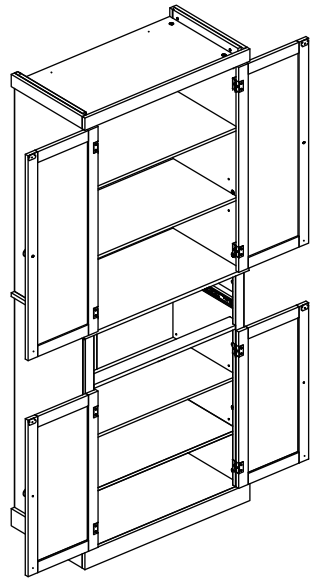


ASSEMBLY INSTRUCTIONS



WARNING!



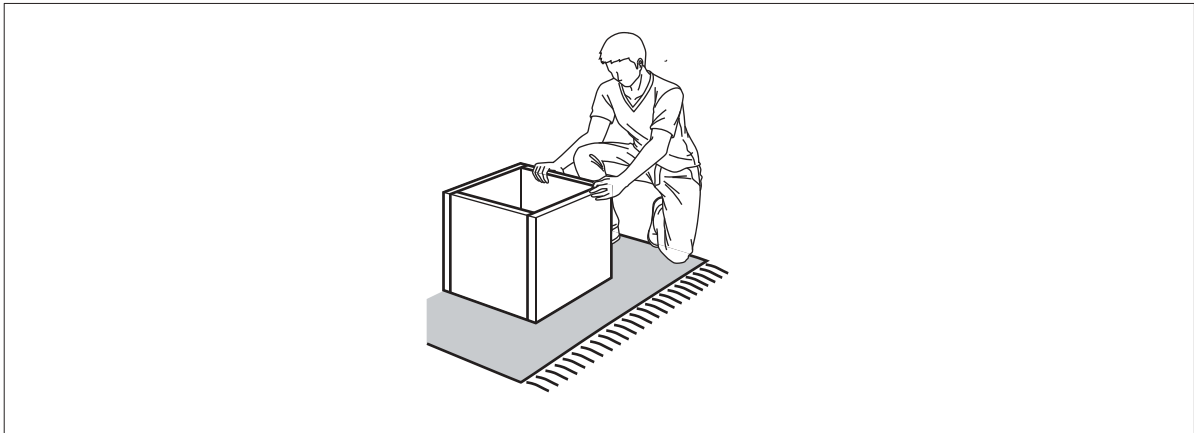
Estimated Time for Assembly

90 mins

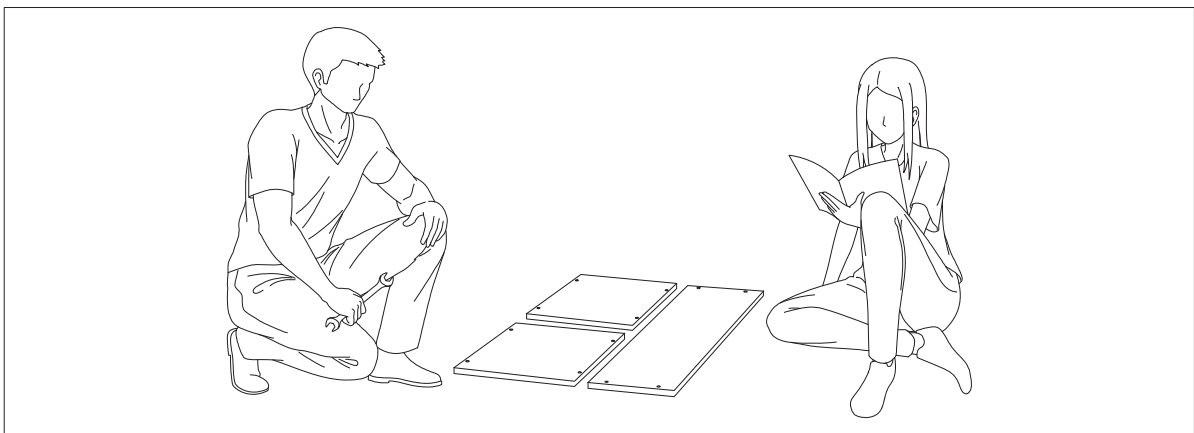


Weight Limitation

58lb Shelf overall



Assemble the furniture on empty carton, carpet, or rug to prevent scratches or damage.

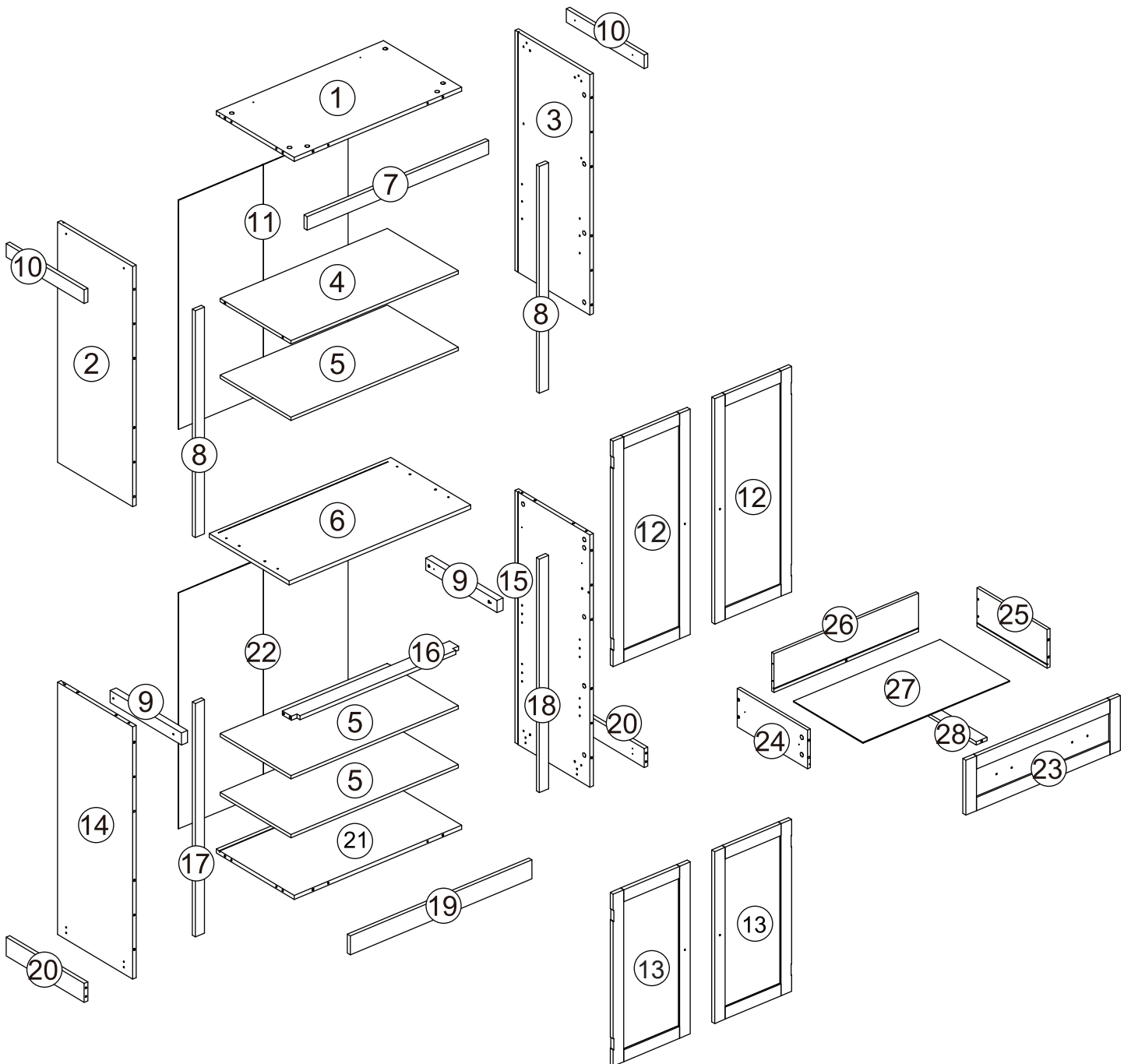


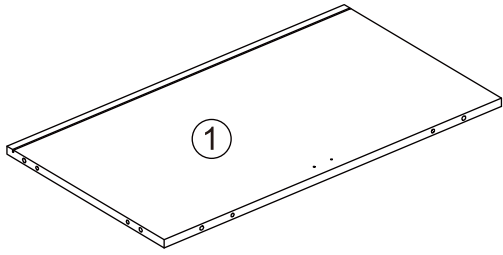
This furniture requires 2 people to assemble.

Make sure no parts are missing or damaged before assemble

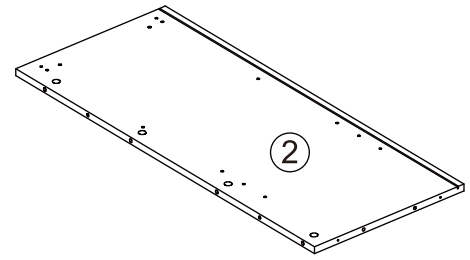
Board Identification

Not actual size

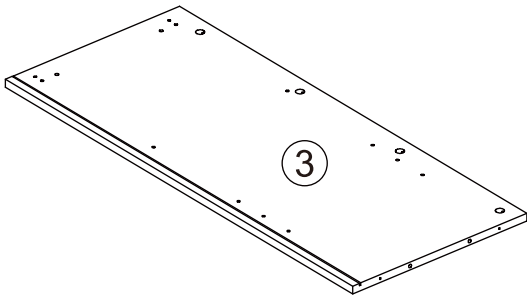




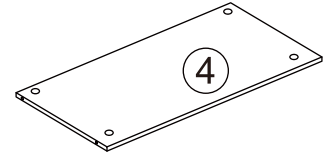
x1



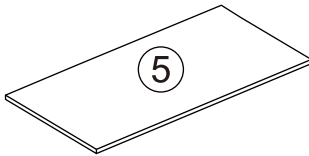
x1



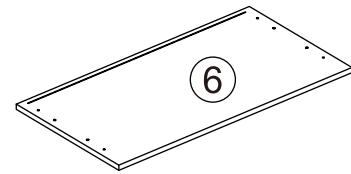
x1



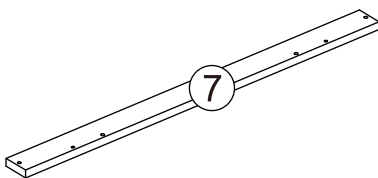
x1



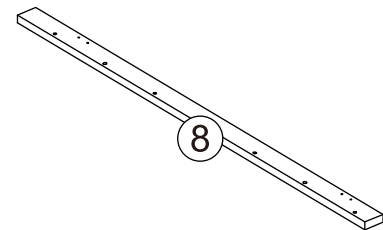
x3



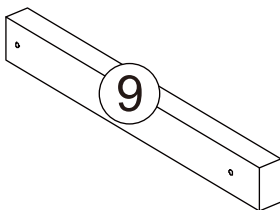
x1



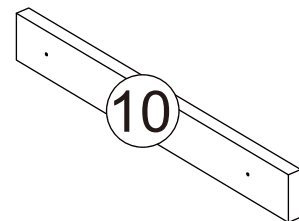
x1



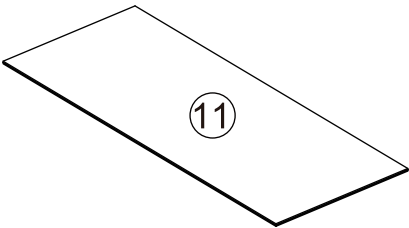
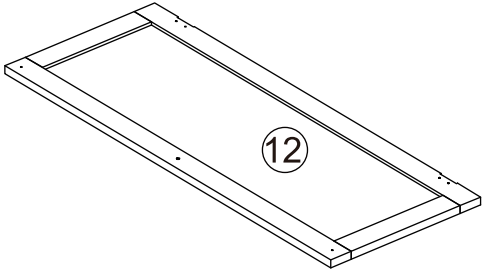
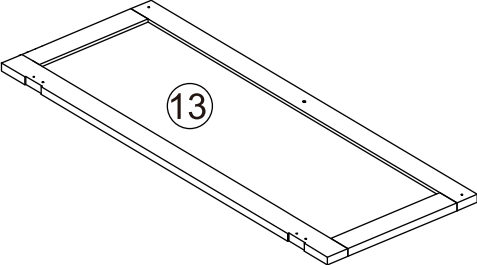
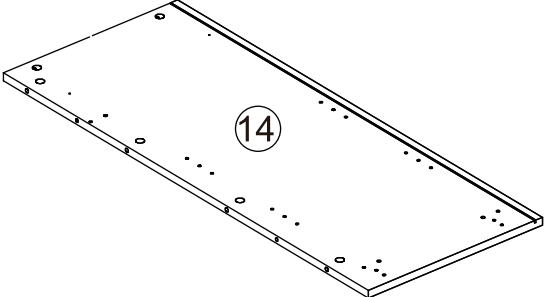
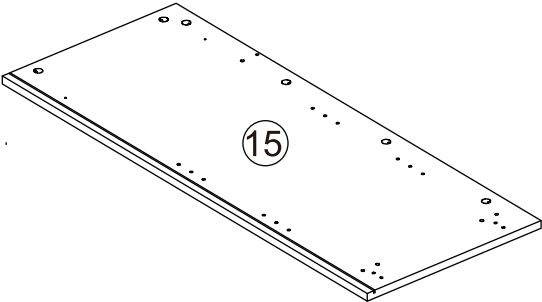
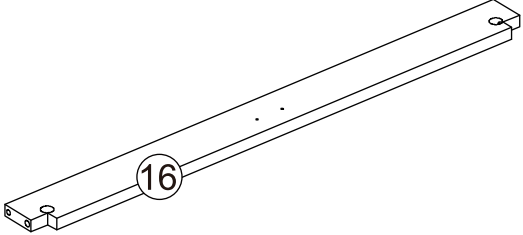
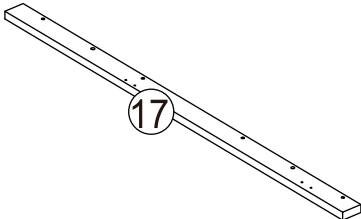
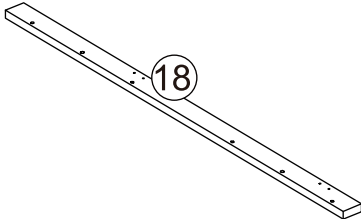
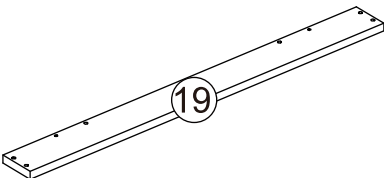

x2

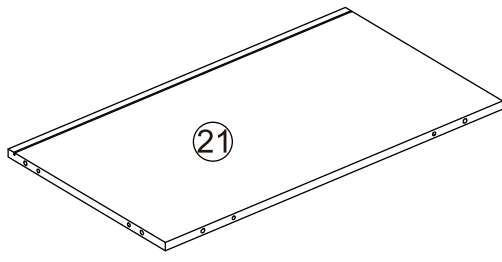


x2

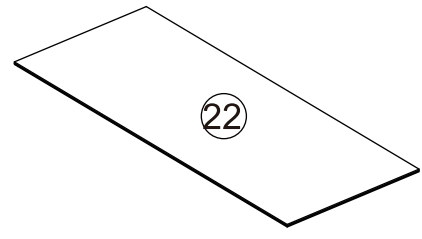


x2

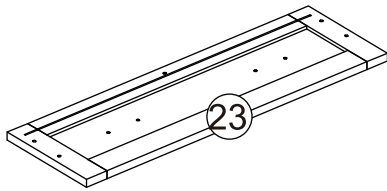
 <p>11</p>	<p>x1</p>  <p>12</p>
 <p>13</p>	<p>x2</p>  <p>14</p>
 <p>15</p>	<p>x1</p>  <p>16</p>
 <p>17</p>	<p>x1</p>  <p>18</p>
 <p>19</p>	<p>x1</p>  <p>20</p>



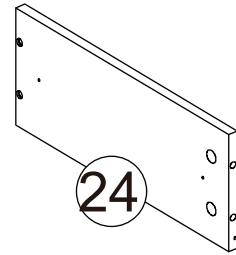
x1



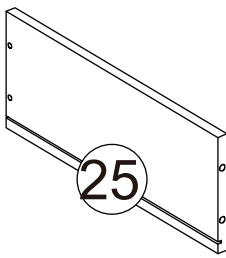
x1



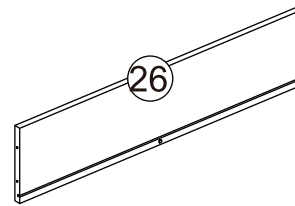
x1



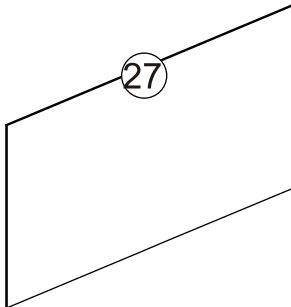
x1



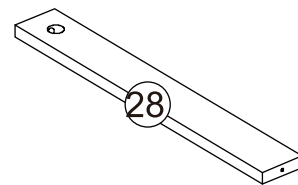
x1



x1



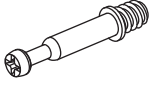

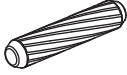
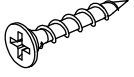
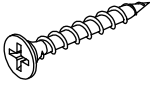
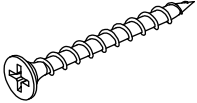
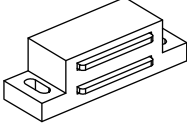
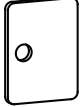



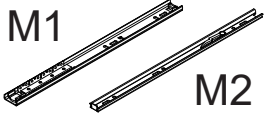
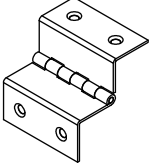
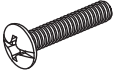

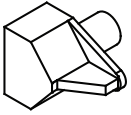
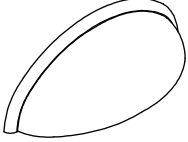

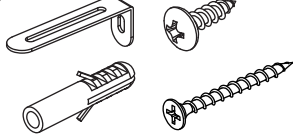
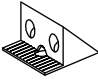

x1



x1

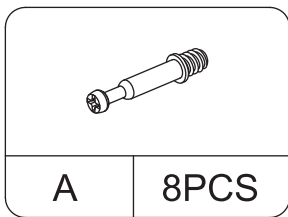
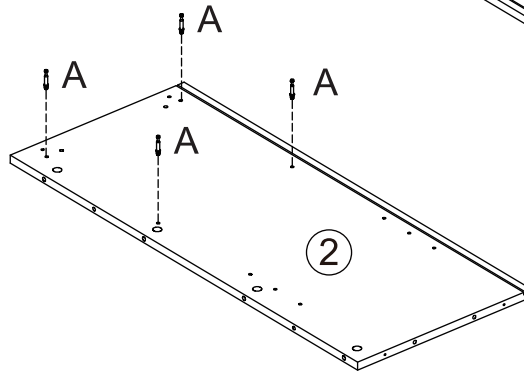
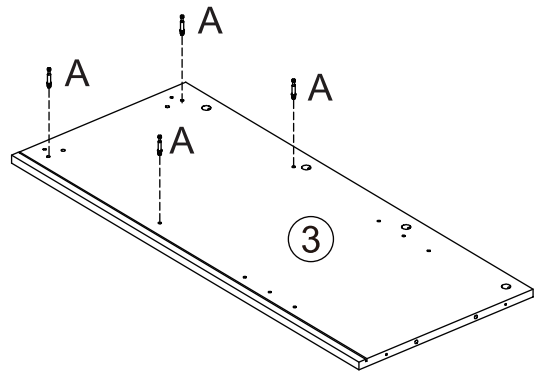
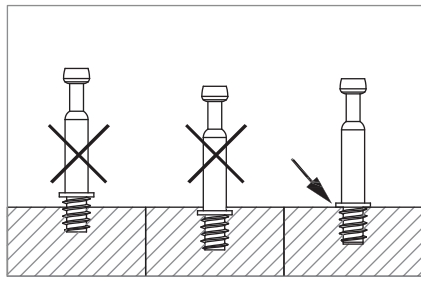
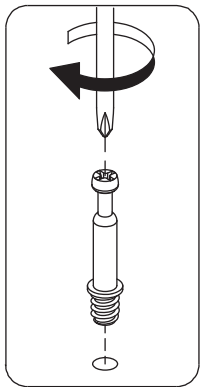
Hardware List

Actual size

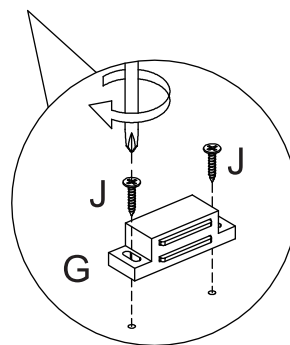
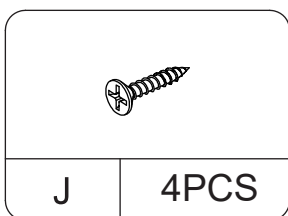
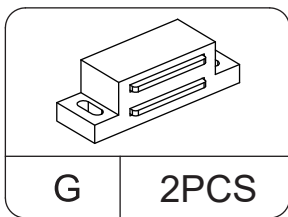
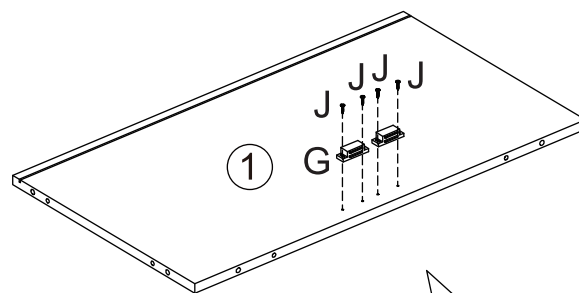
			 Ø4x25mm
A 43+2PCS	B 43+2PCS	C 40+2PCS	D 12PCS
 Ø4x30mm	 Ø4x38mm		
E 9PCS	F 4PCS	G 4PCS	H 4PCS
 Ø3x16mm	 Ø3x14mm	 Ø3x12mm	 M1 M2
J 20 PCS	K 32PCS	L 12PCS	M 2PCS
	 M4x16mm		 Ø5x14mm
N 8PCS	O 4PCS	P 4PCS	Q 12PCS
	 M4*9mm		
R 2PCS	S 4PCS	T 2PCS	U 12PCS
			
V 1PC			

STEP 1

■ Step 1-11 Install the upper parts.

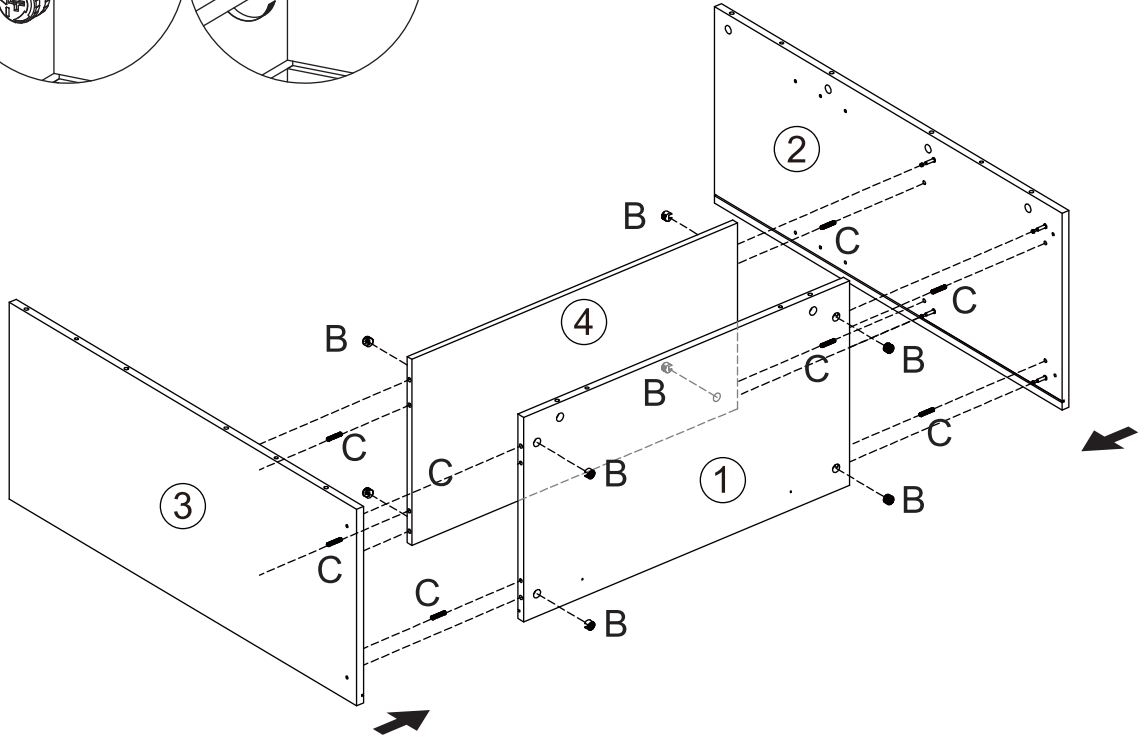
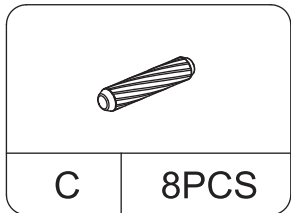
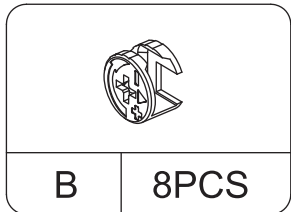
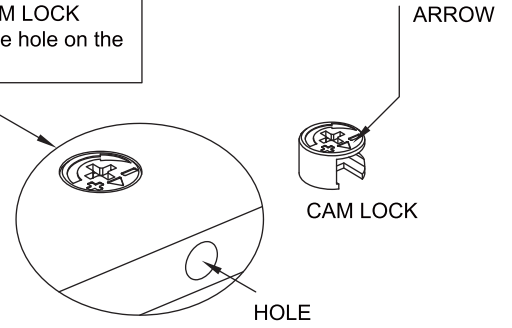
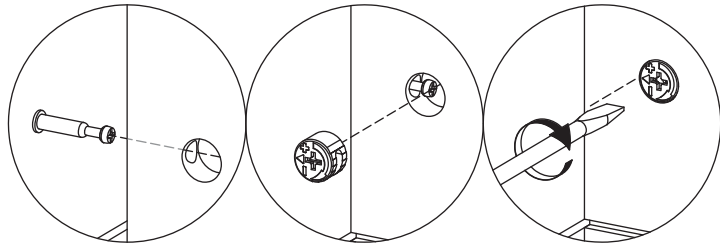


STEP 2

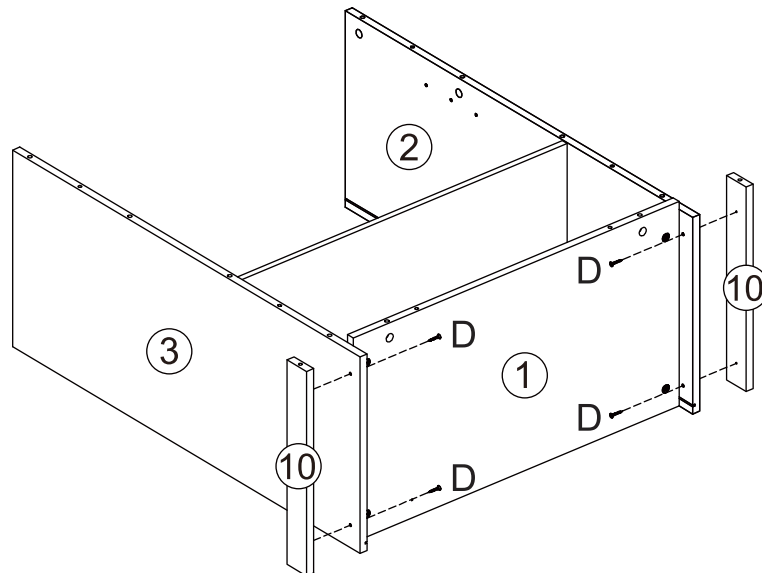
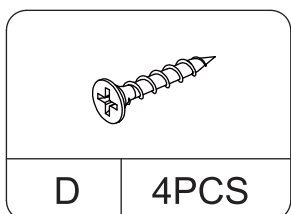


STEP 3

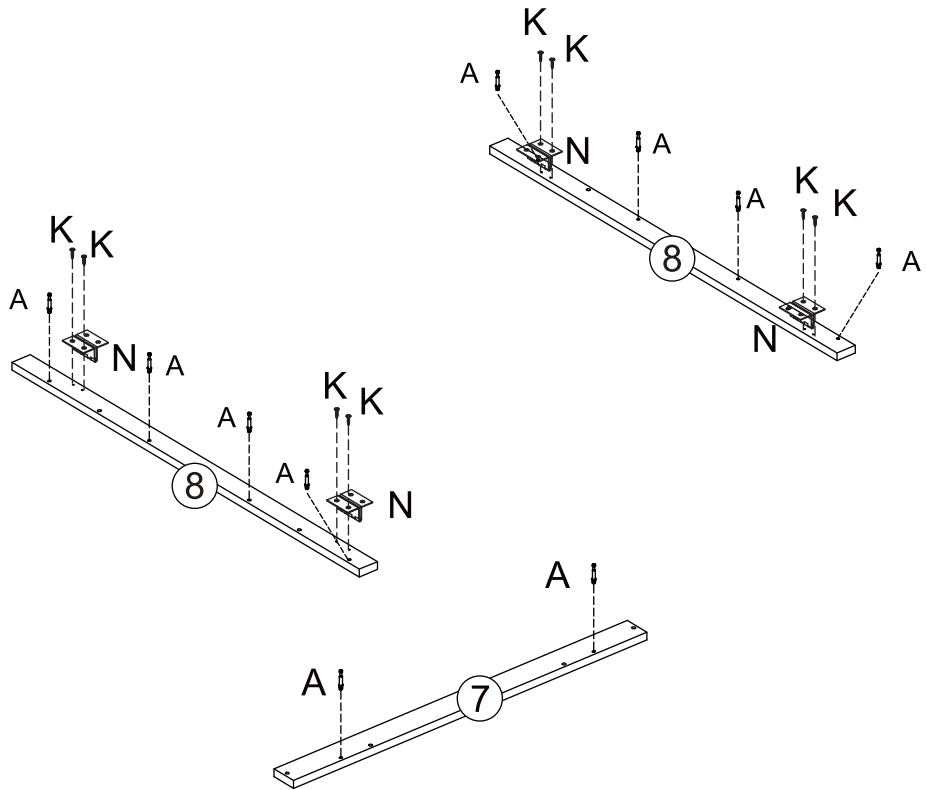
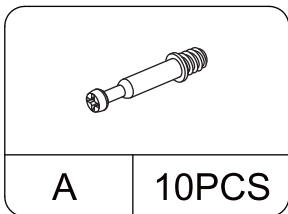
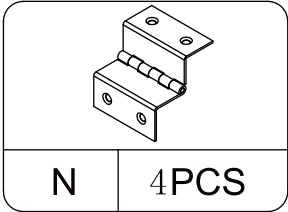
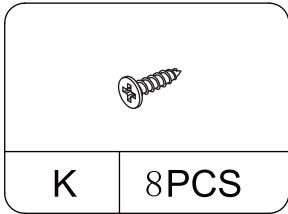
Push a CAM LOCK into the part
The arrow in the CAM LOCK
must point toward the hole on the
edge of the board



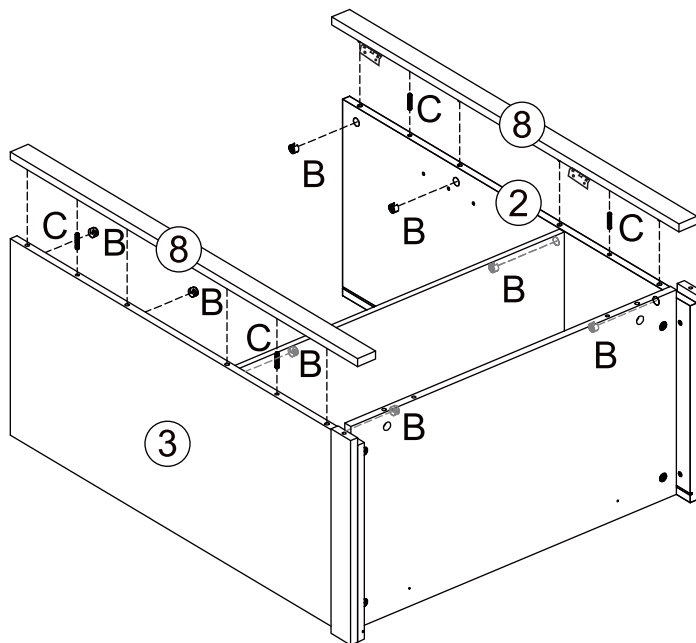
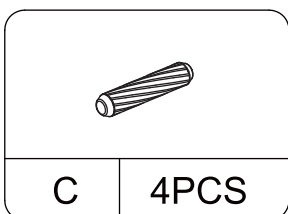
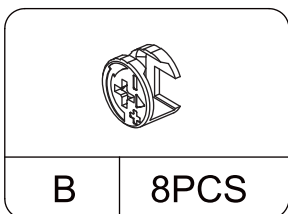
STEP 4



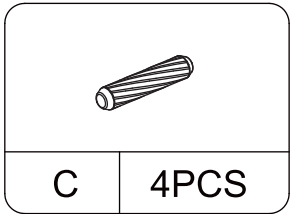
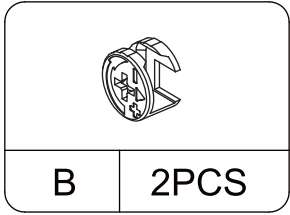
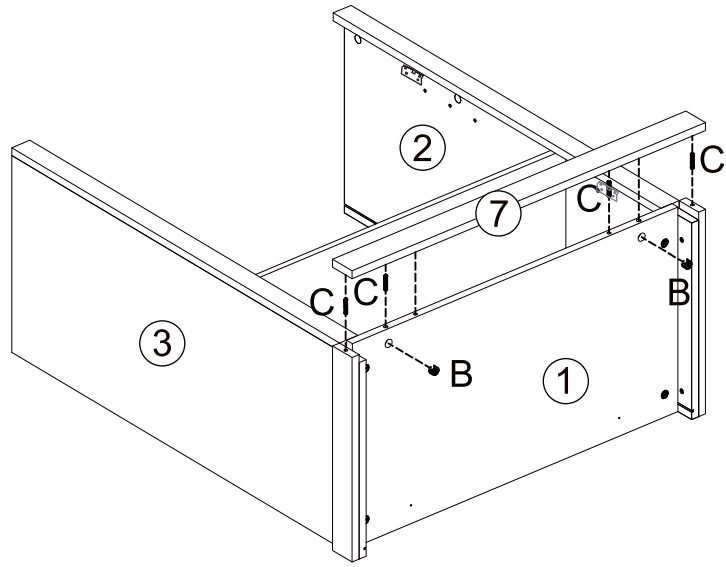
STEP 5



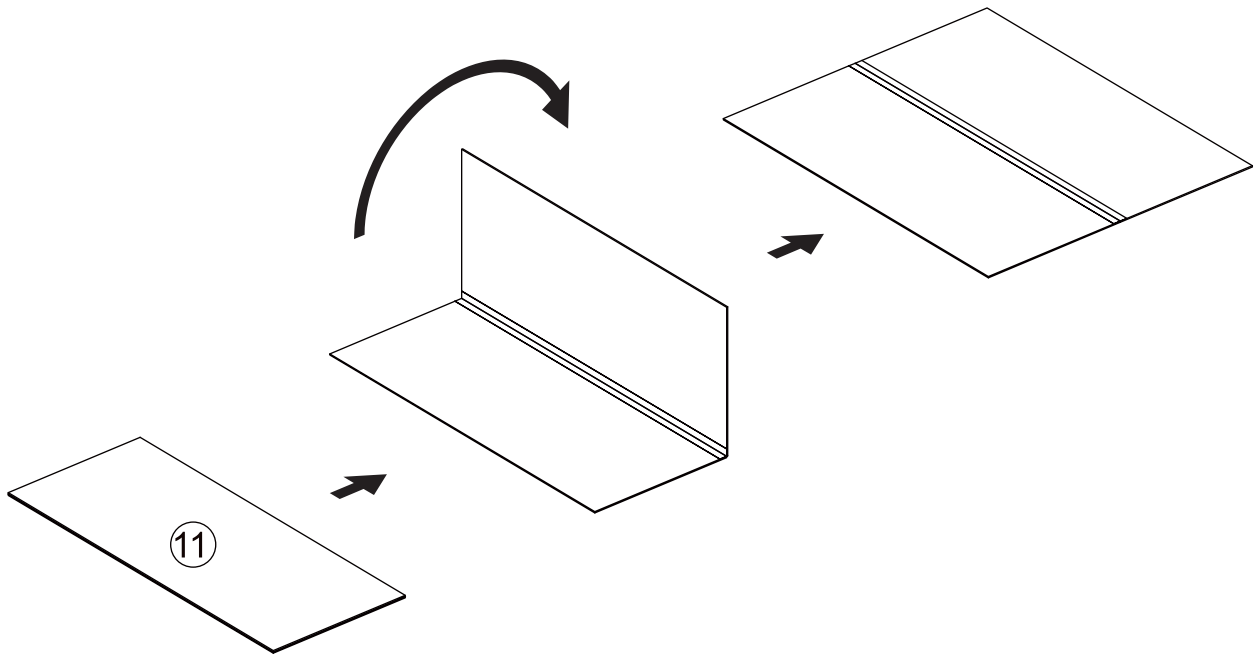
STEP 6



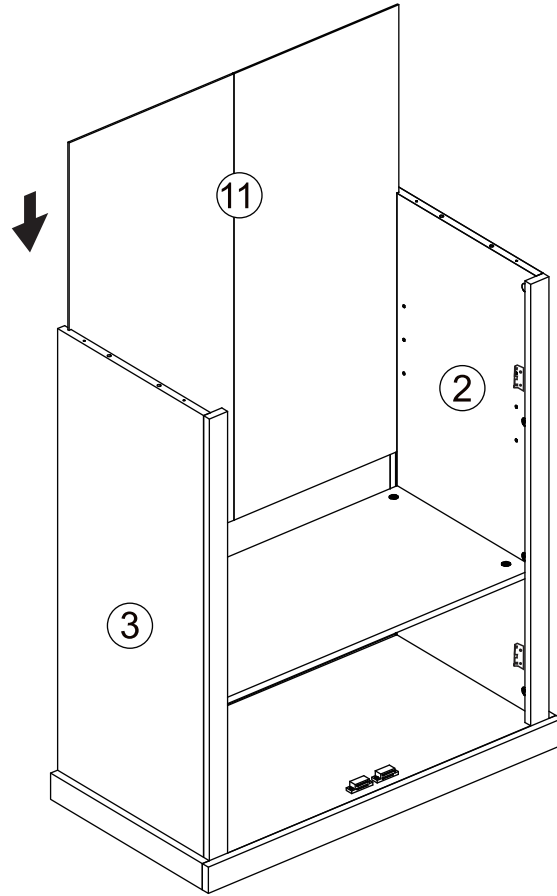
STEP 7



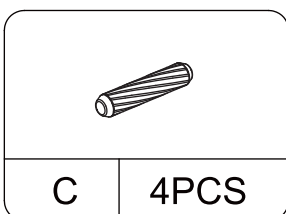
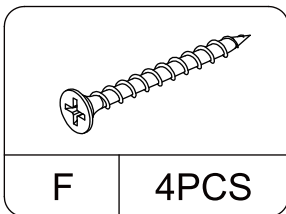
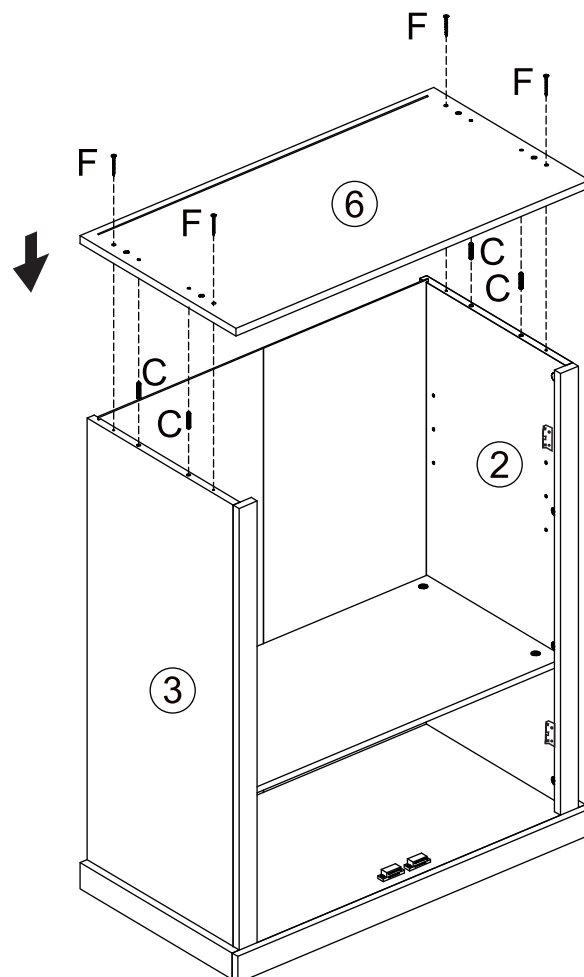
STEP 8



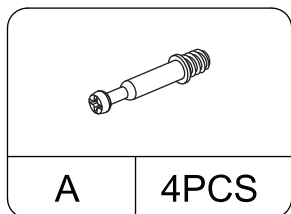
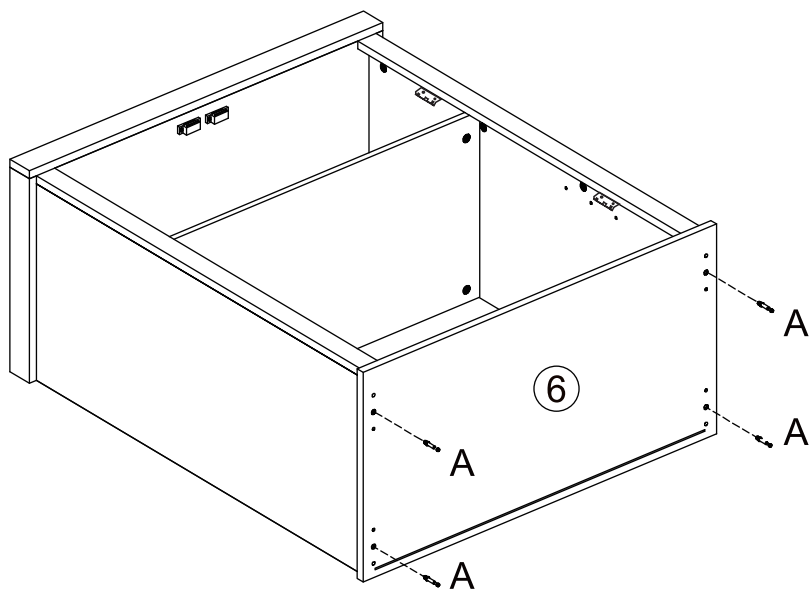
STEP 9



STEP 10

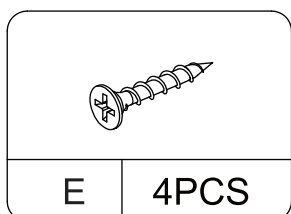
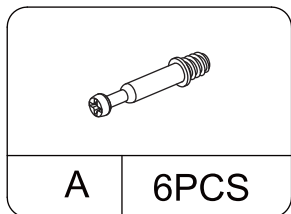
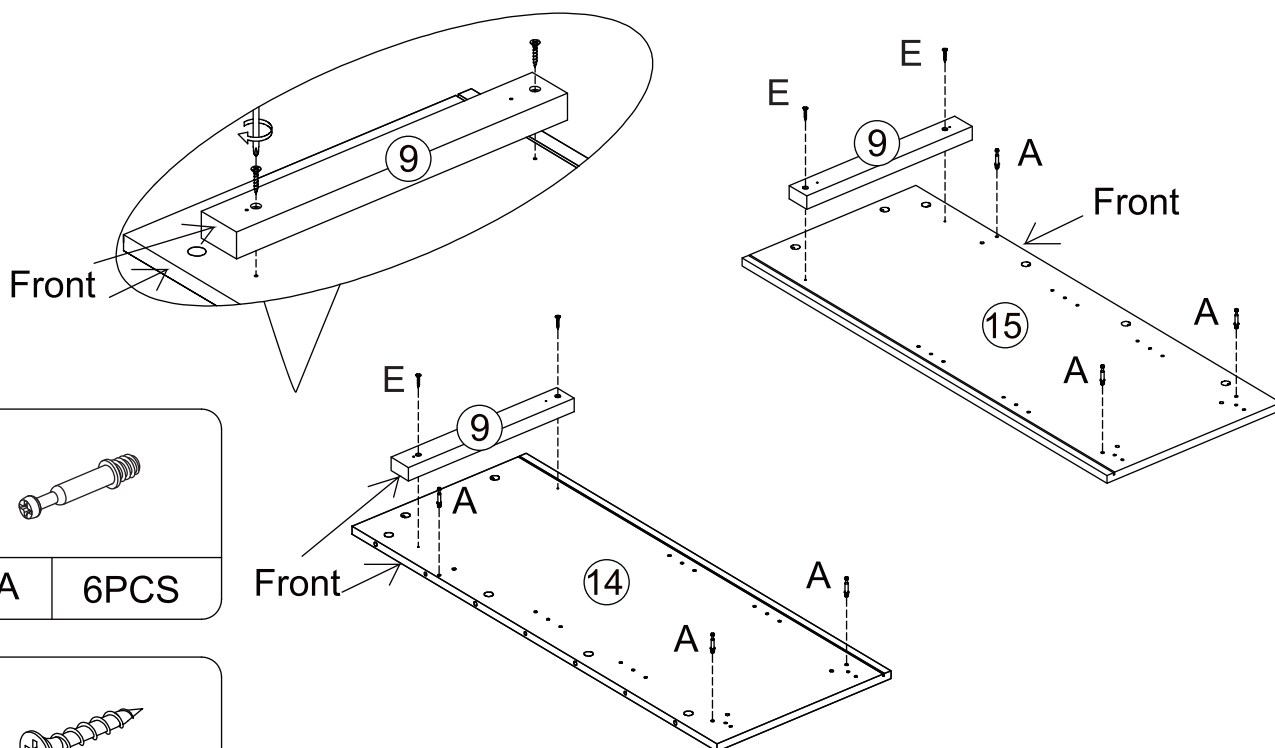


STEP 11

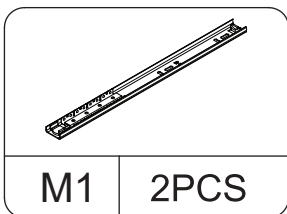
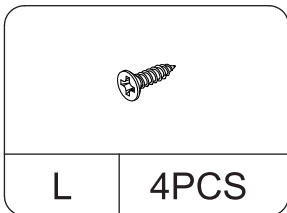
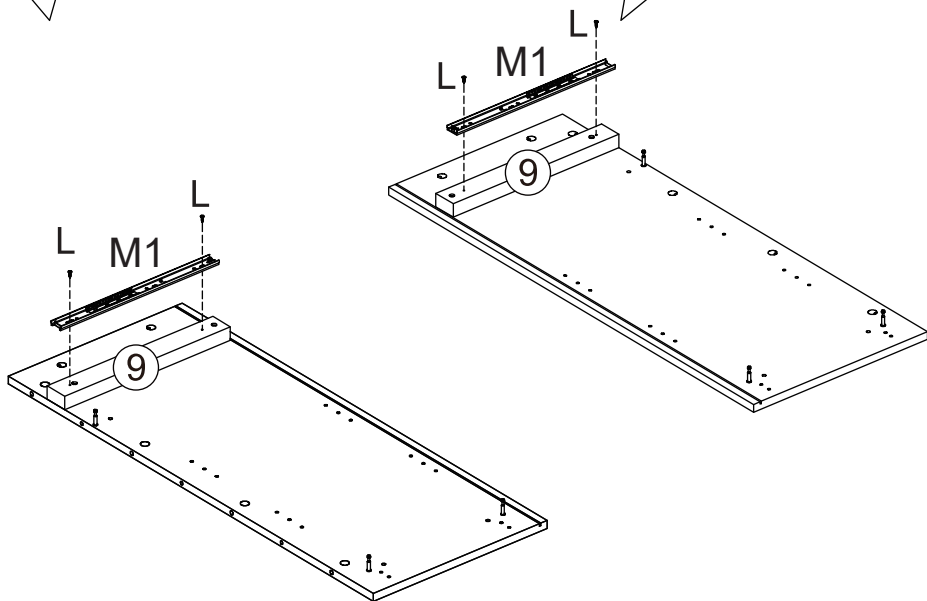
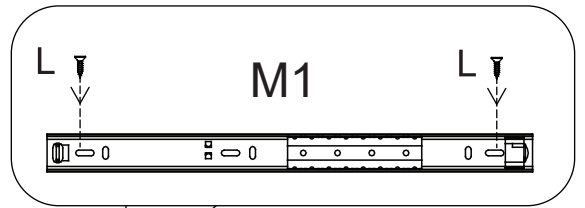
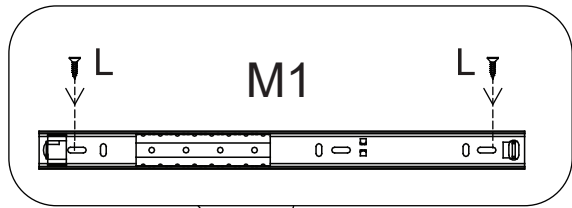
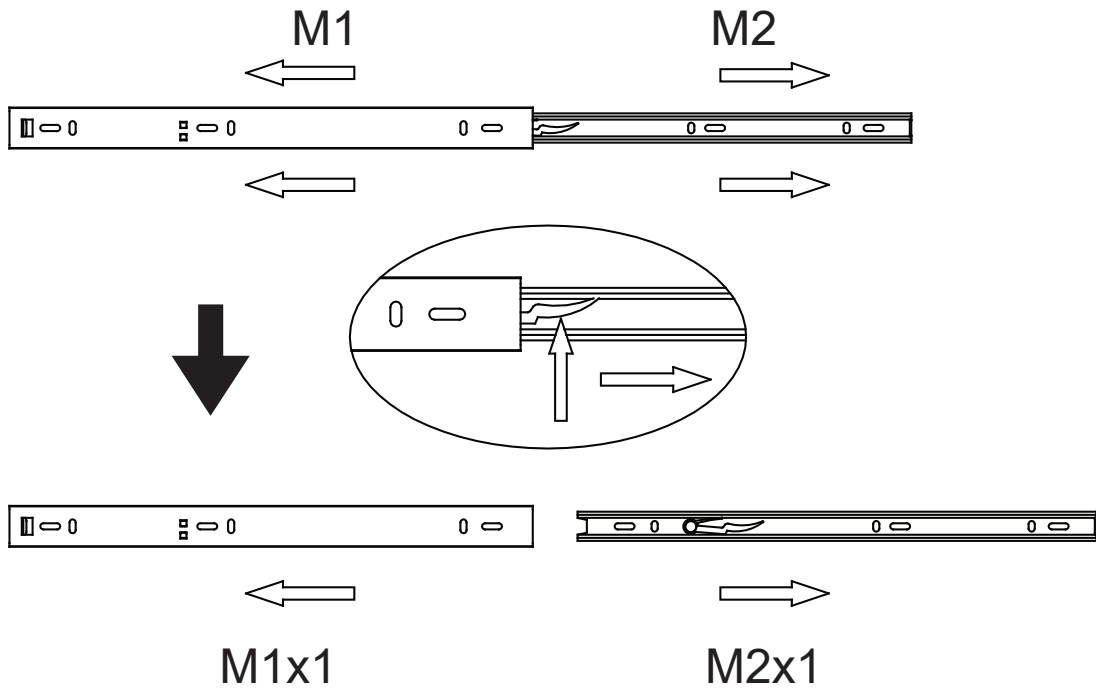


STEP 12

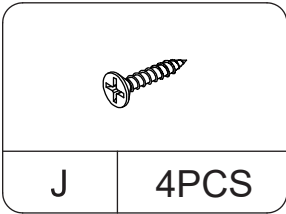
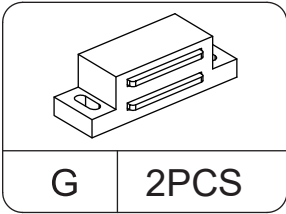
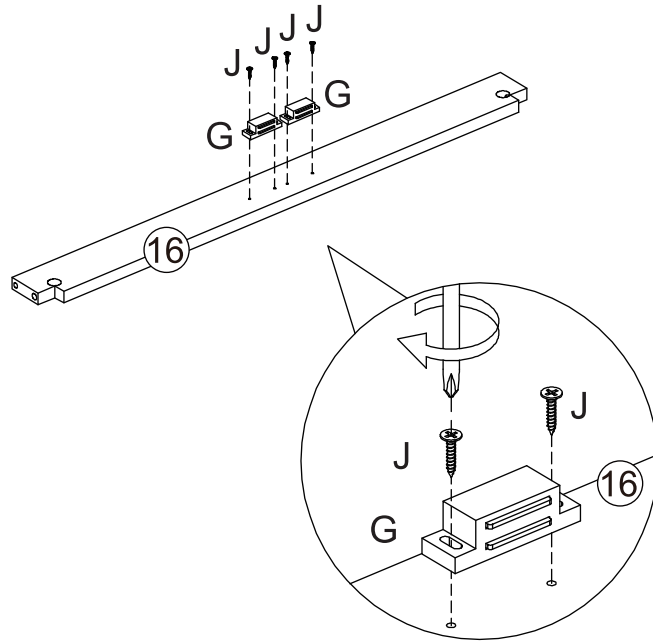
■ Step 12-22 Install the lower parts



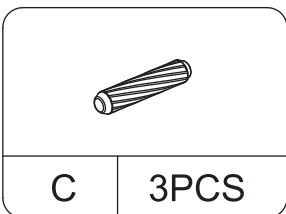
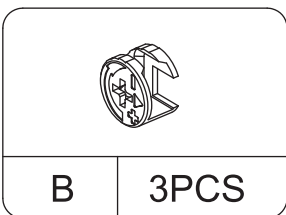
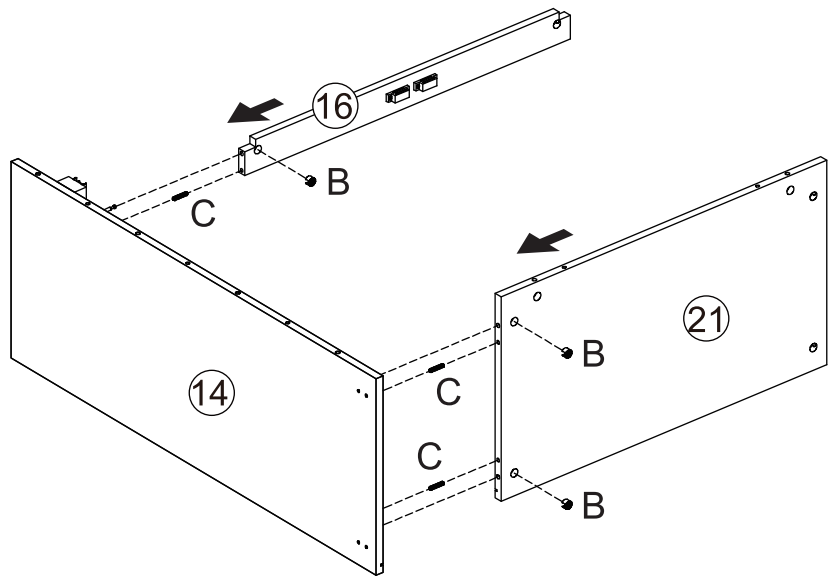
STEP 13



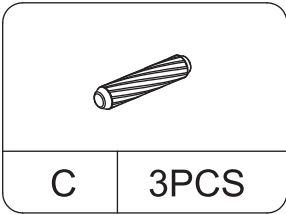
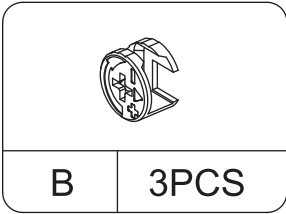
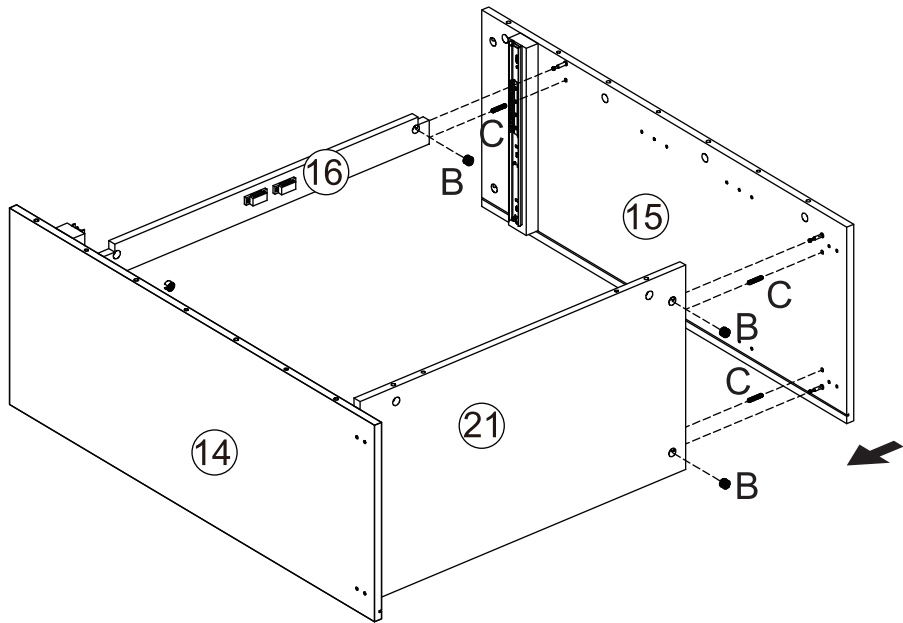
STEP 14



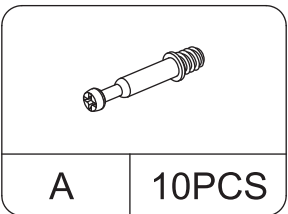
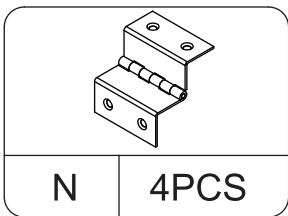
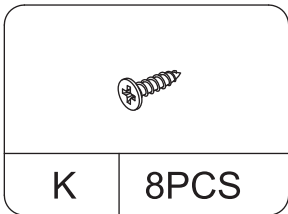
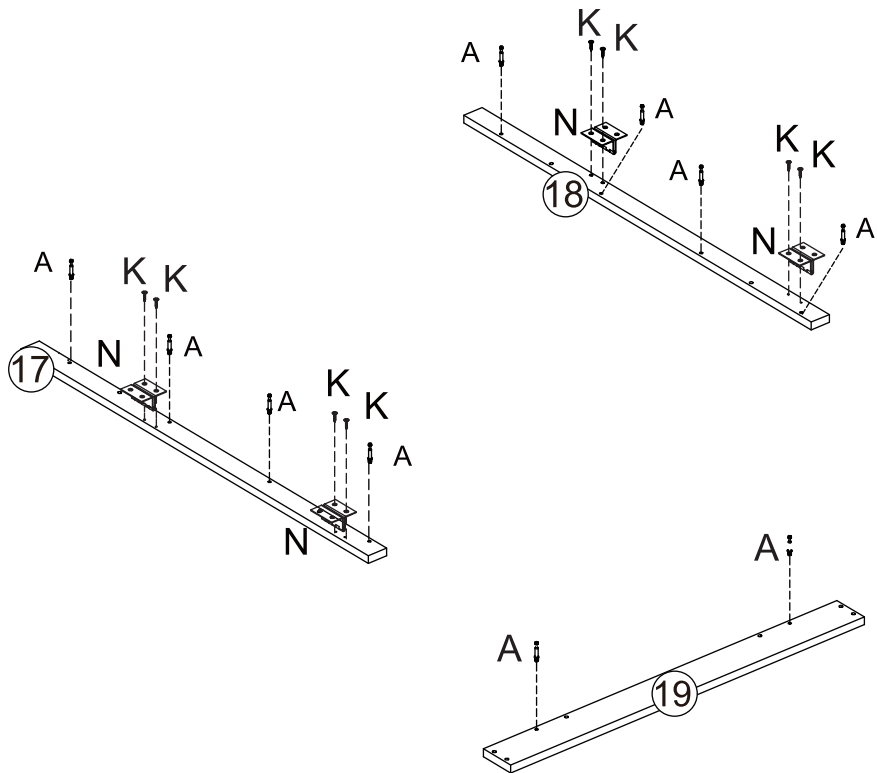
STEP 15



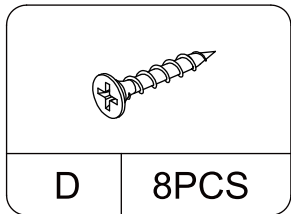
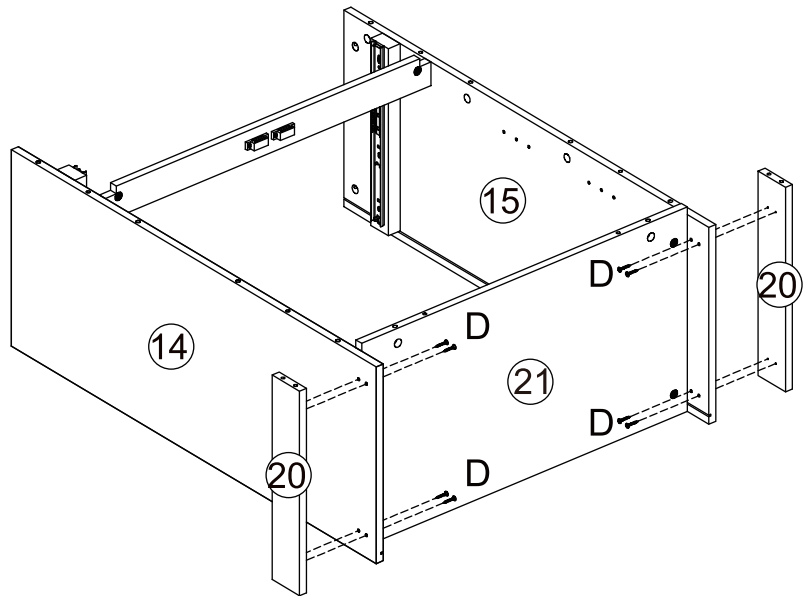
STEP 16



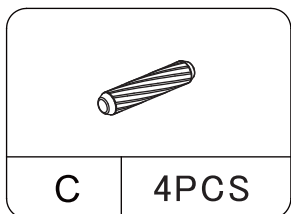
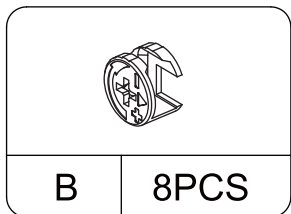
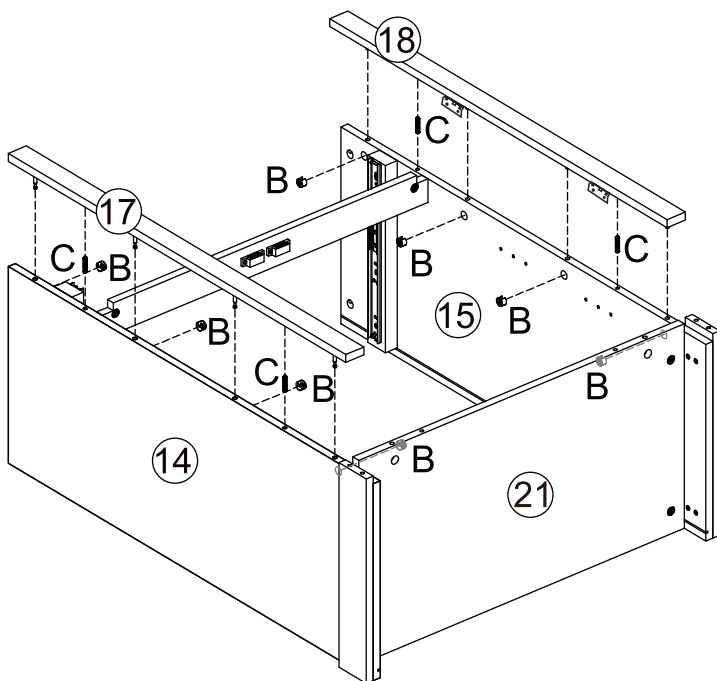
STEP 17



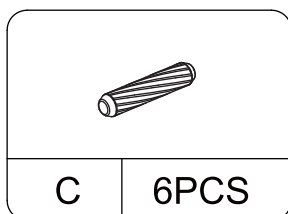
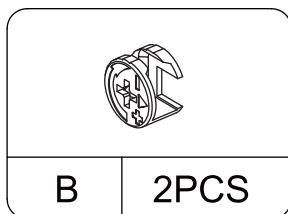
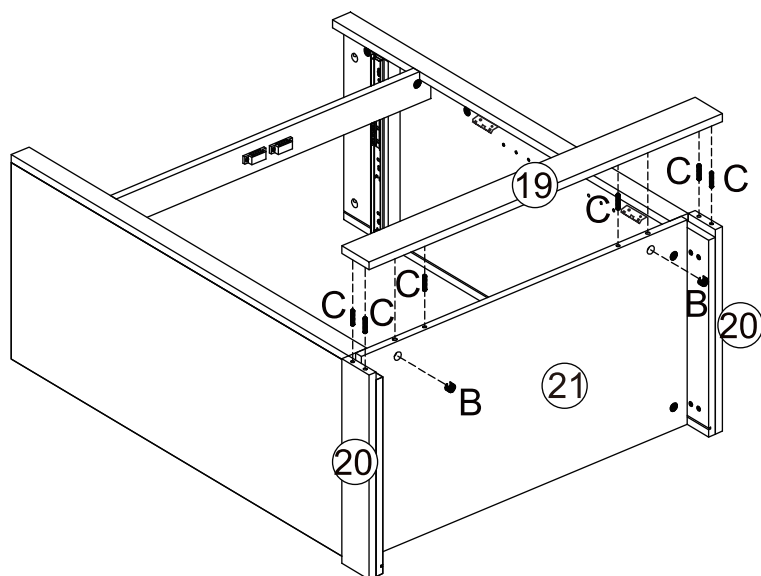
STEP 18



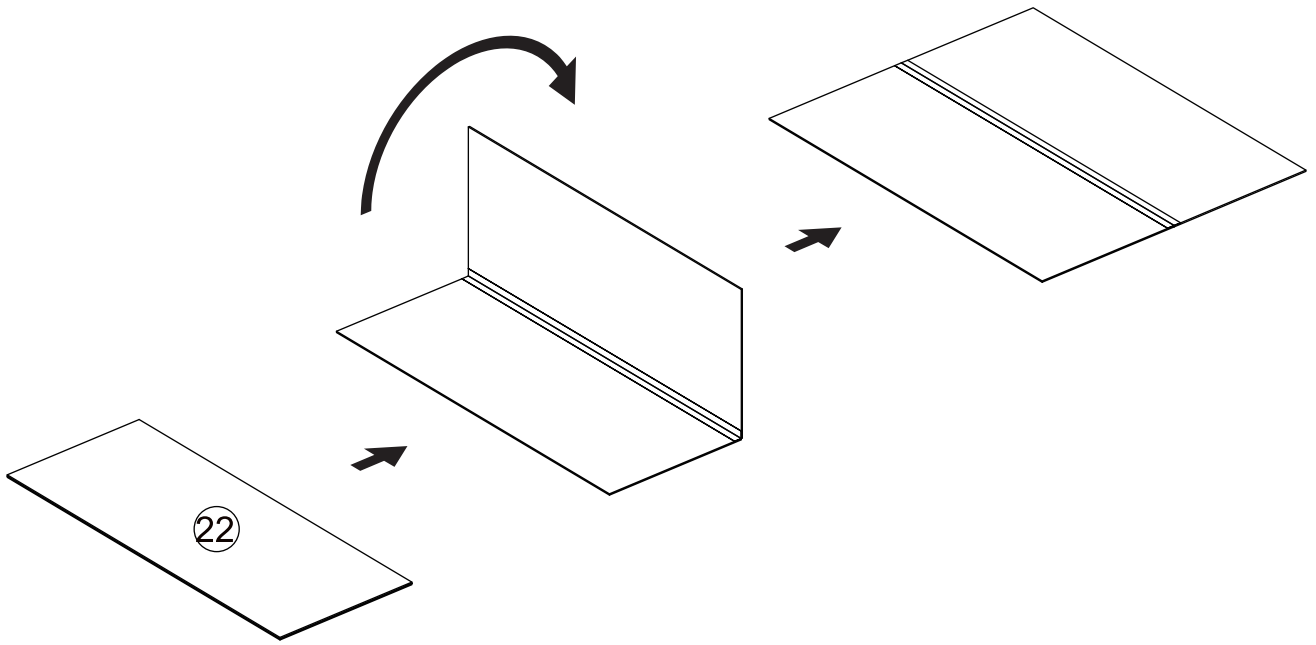
STEP 19



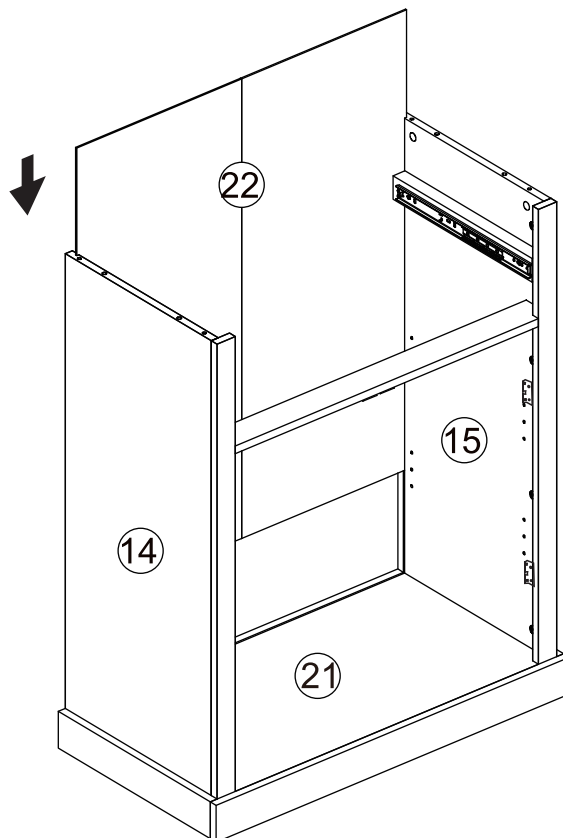
STEP 20



STEP 21

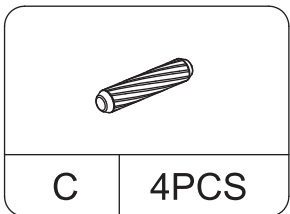
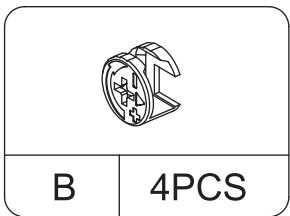
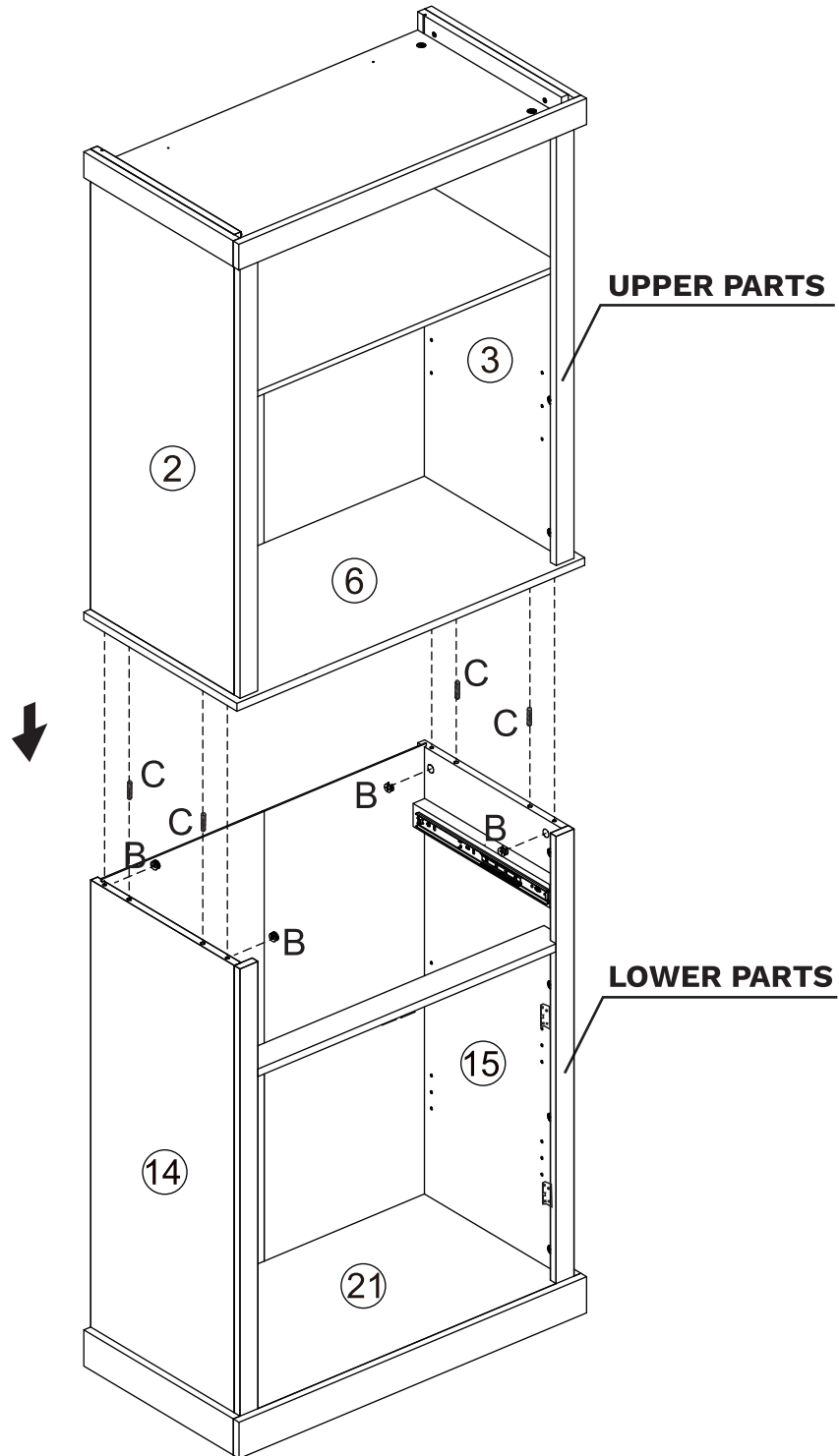


STEP 22

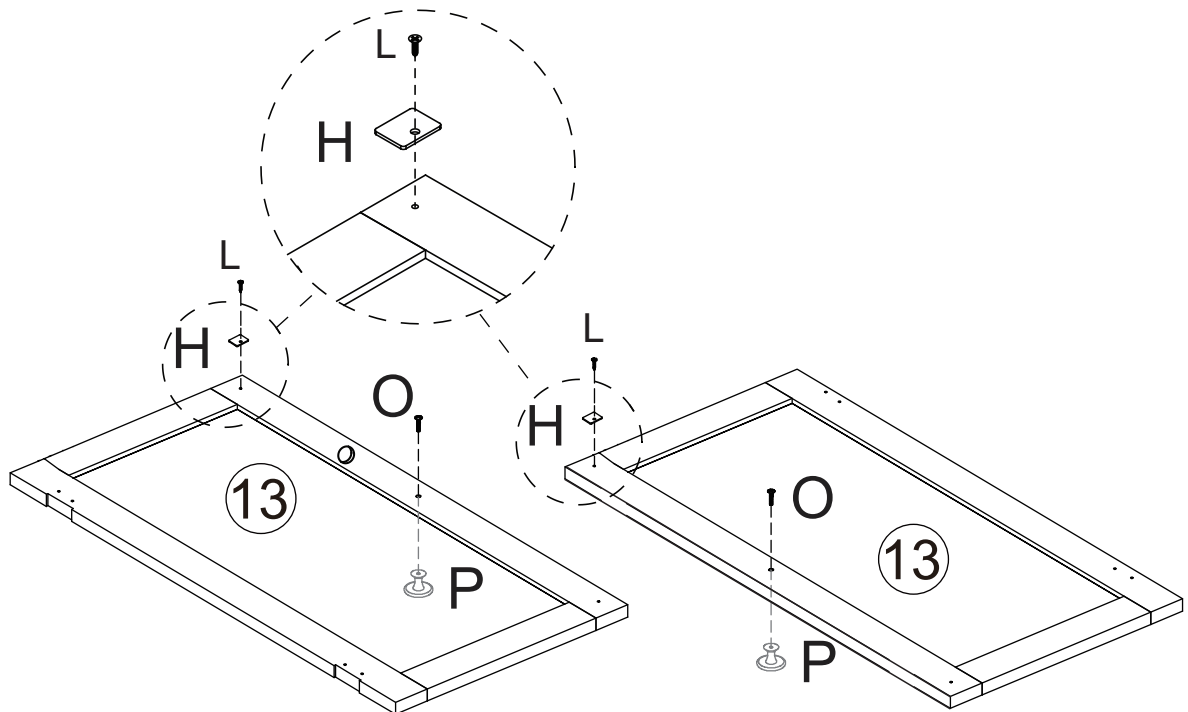
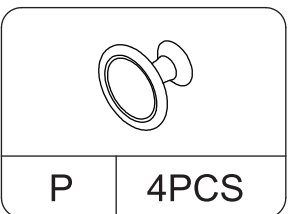
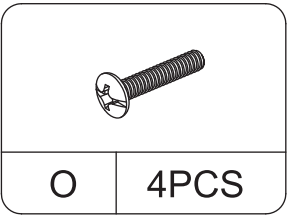
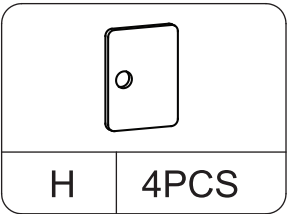
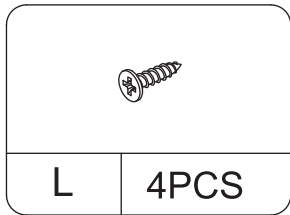
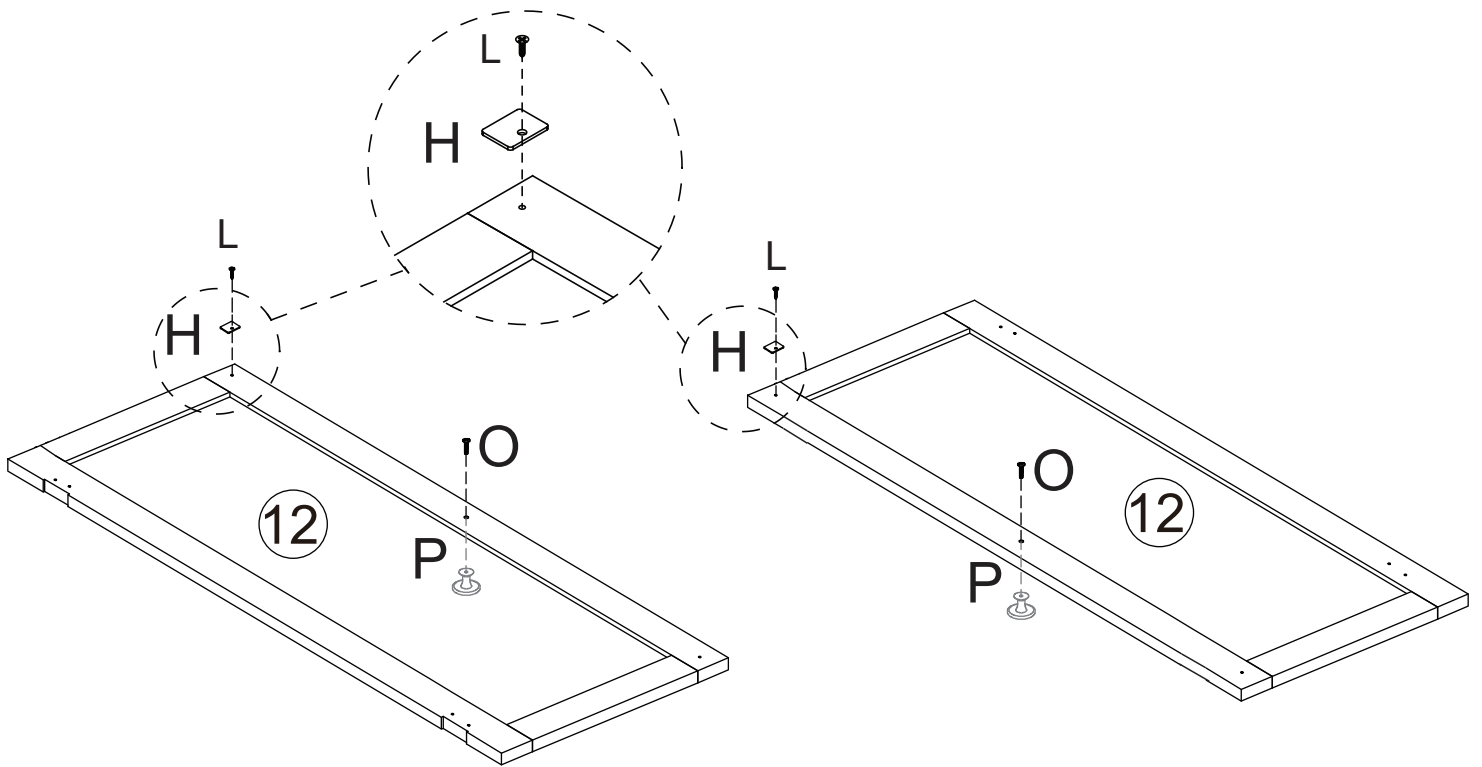


STEP 23

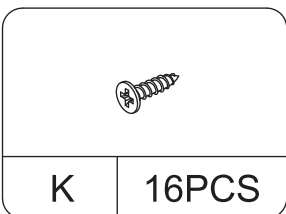
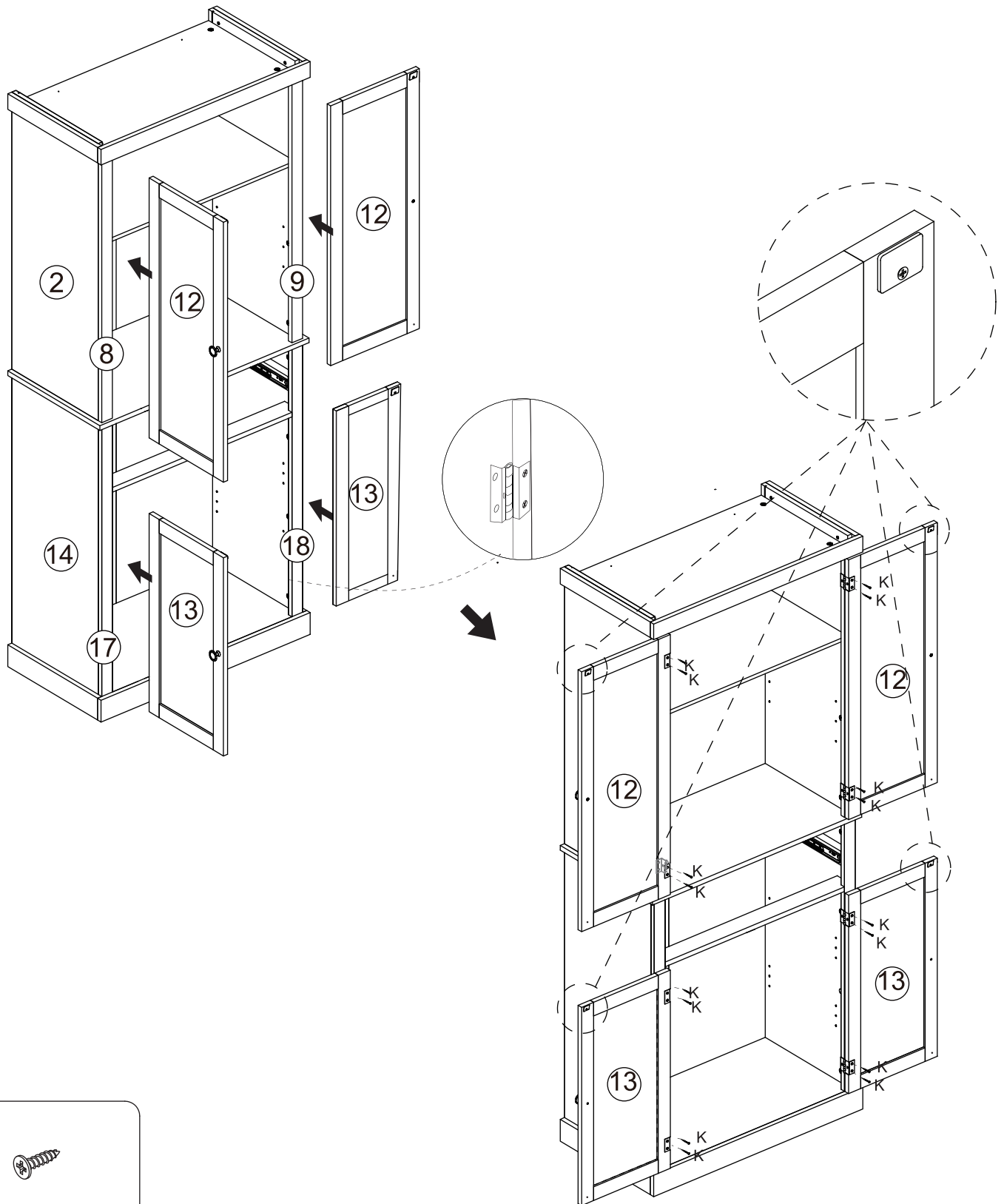
It needs two customers to hold the upper parts carefully, and then install the upper parts onto the lower parts.



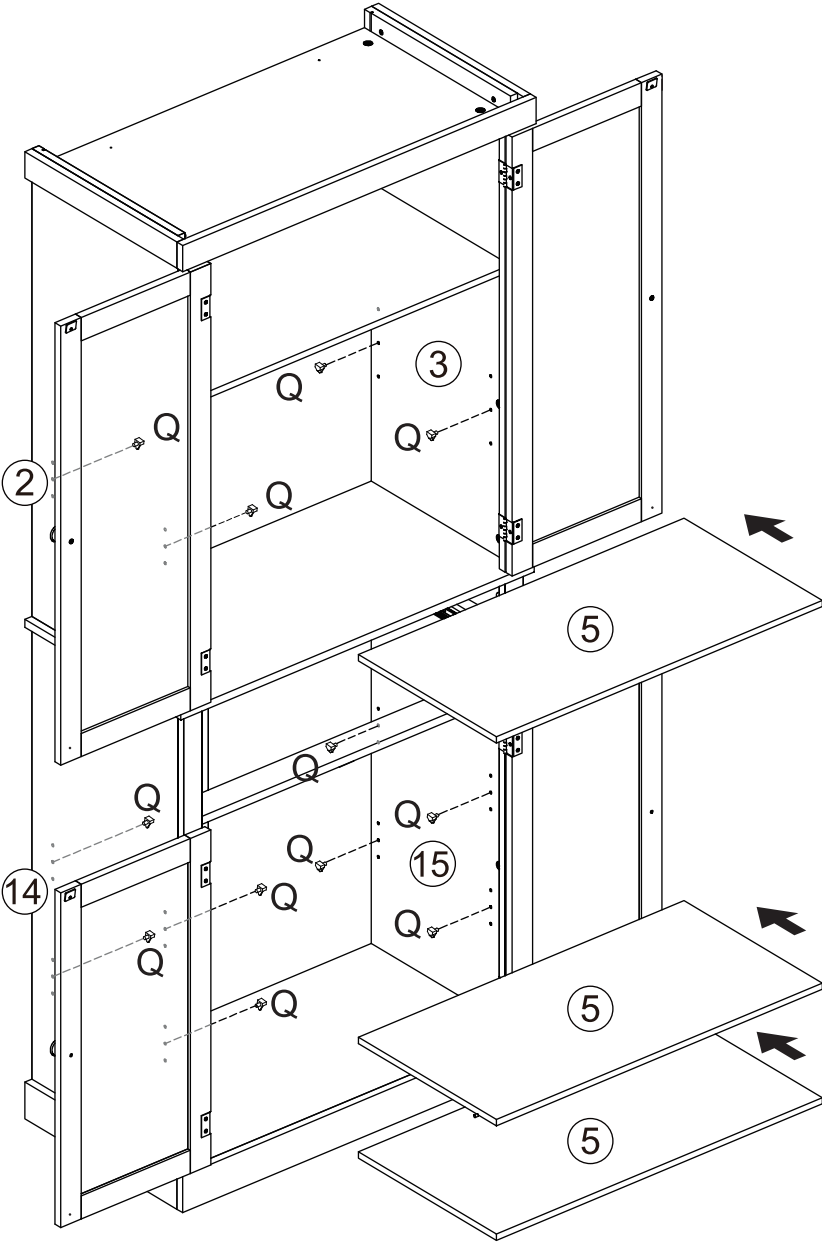
STEP 24

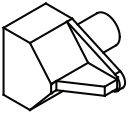


STEP 25

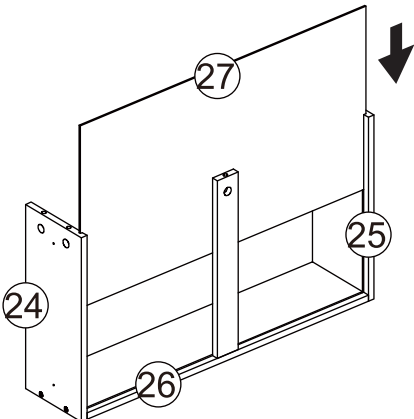
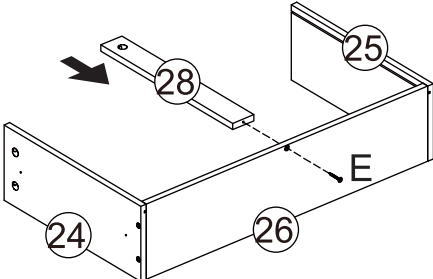
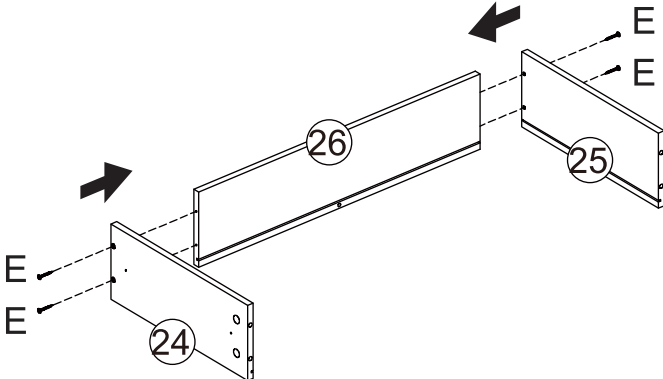


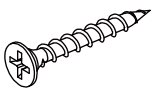
STEP 26



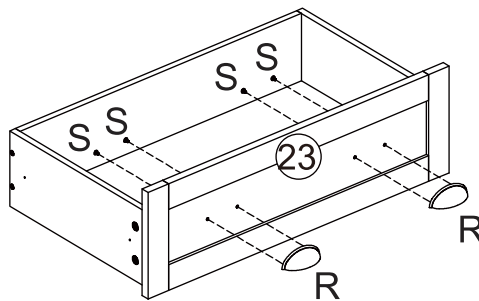
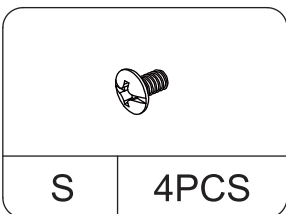
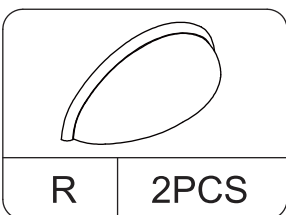
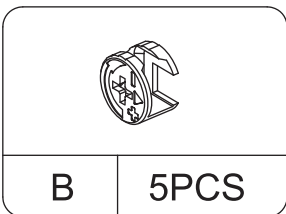
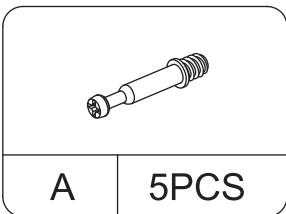
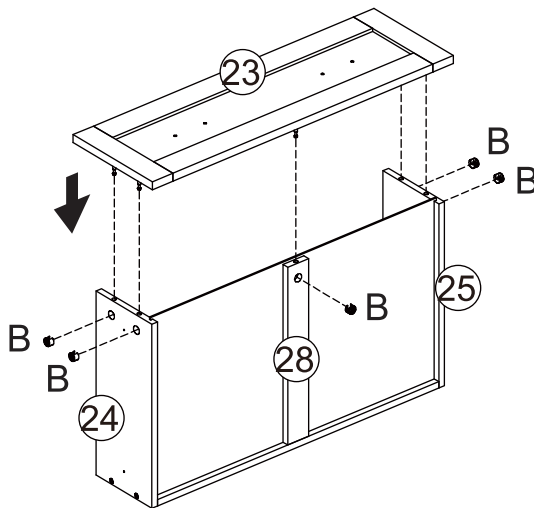
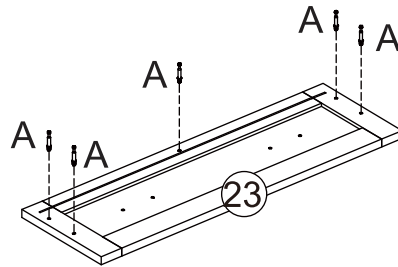
	
Q	12PCS

STEP 27

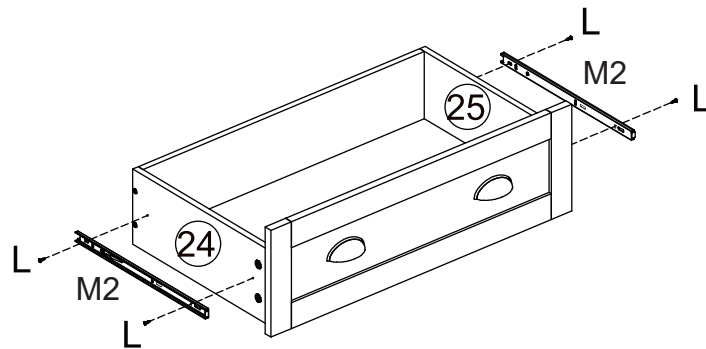
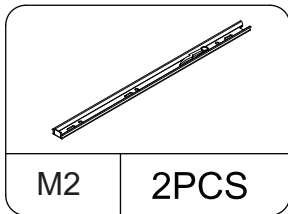
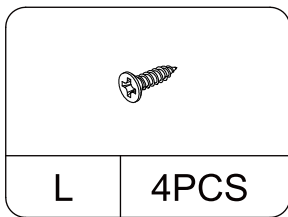
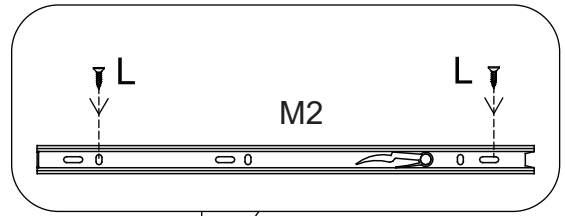
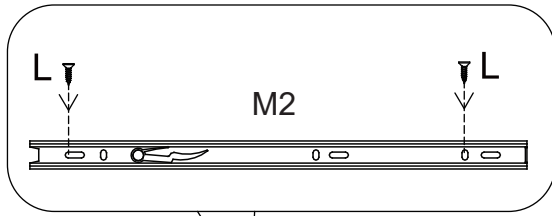


	
E	5PCS

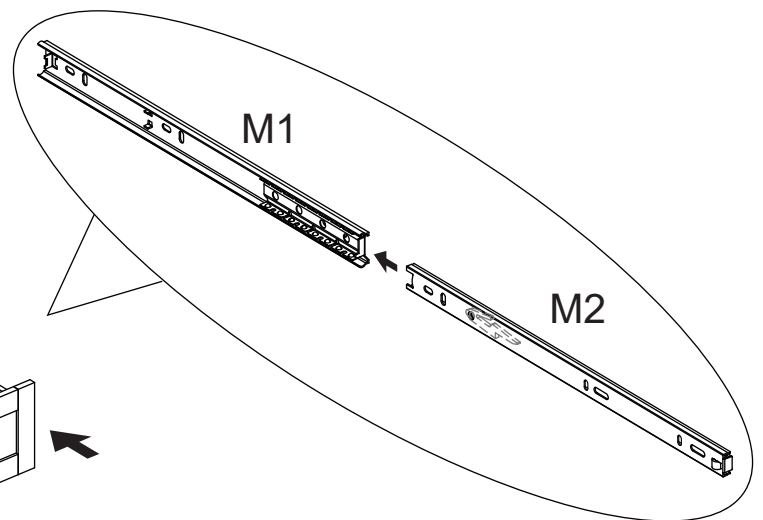
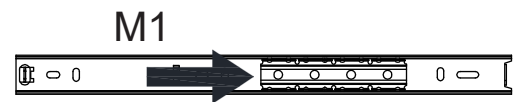
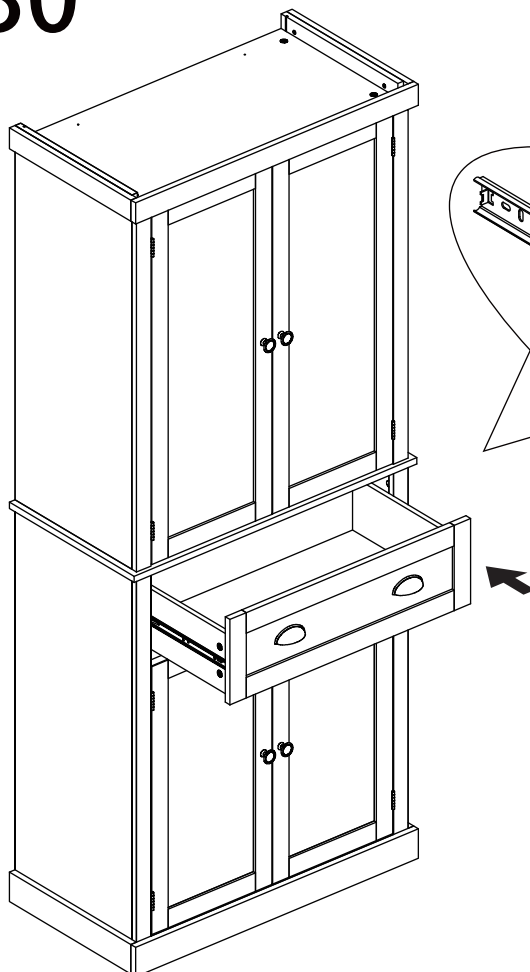
STEP 28



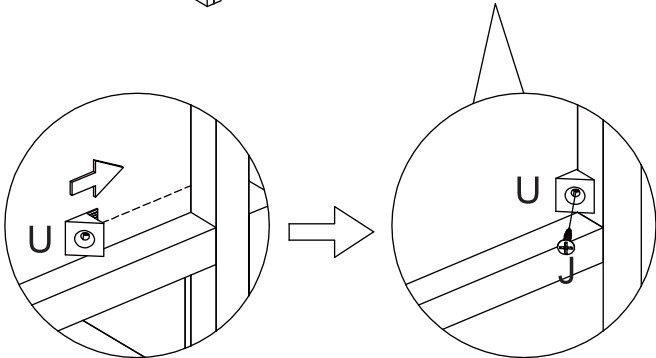
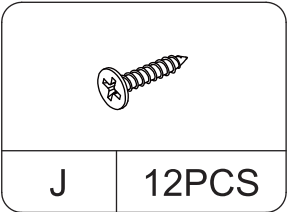
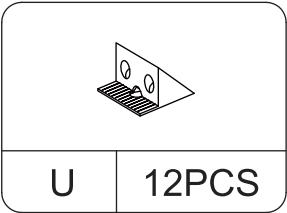
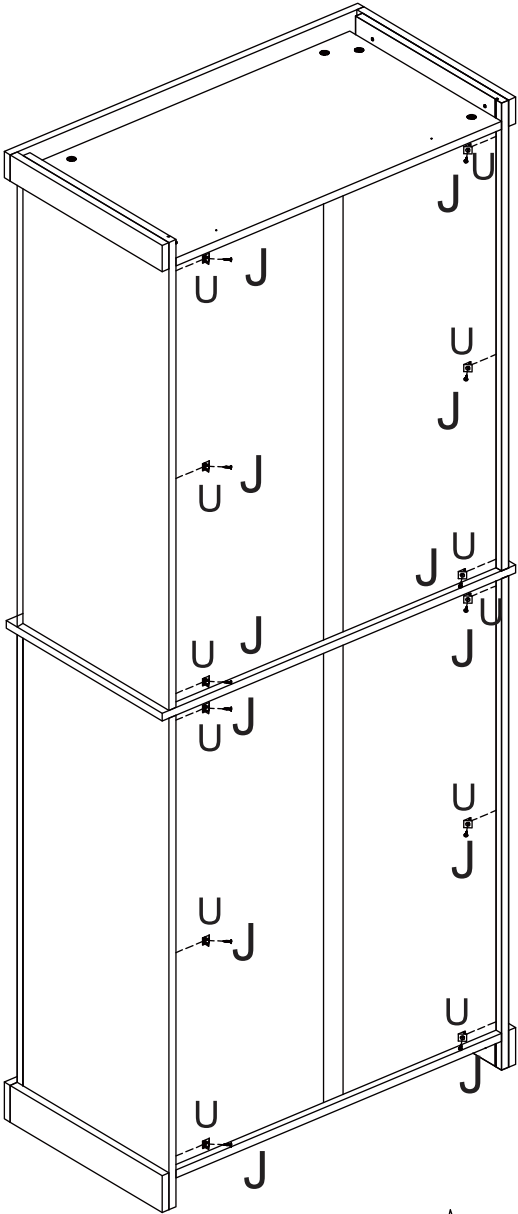
STEP 29



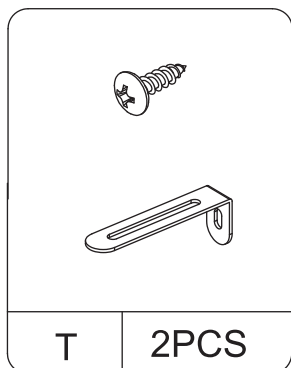
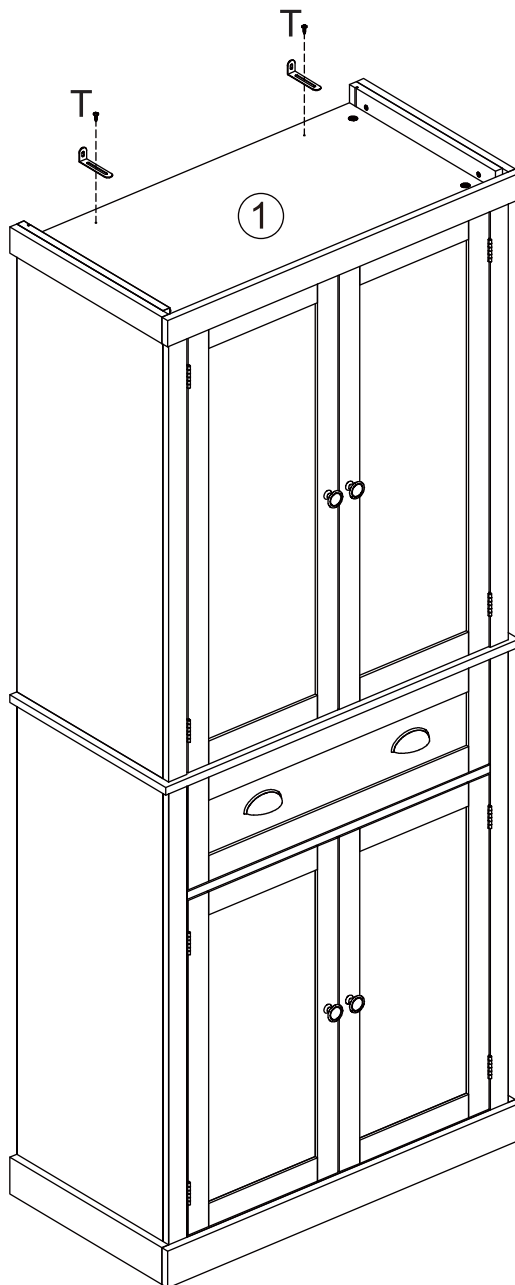
STEP 30



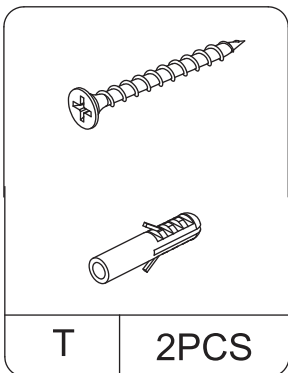
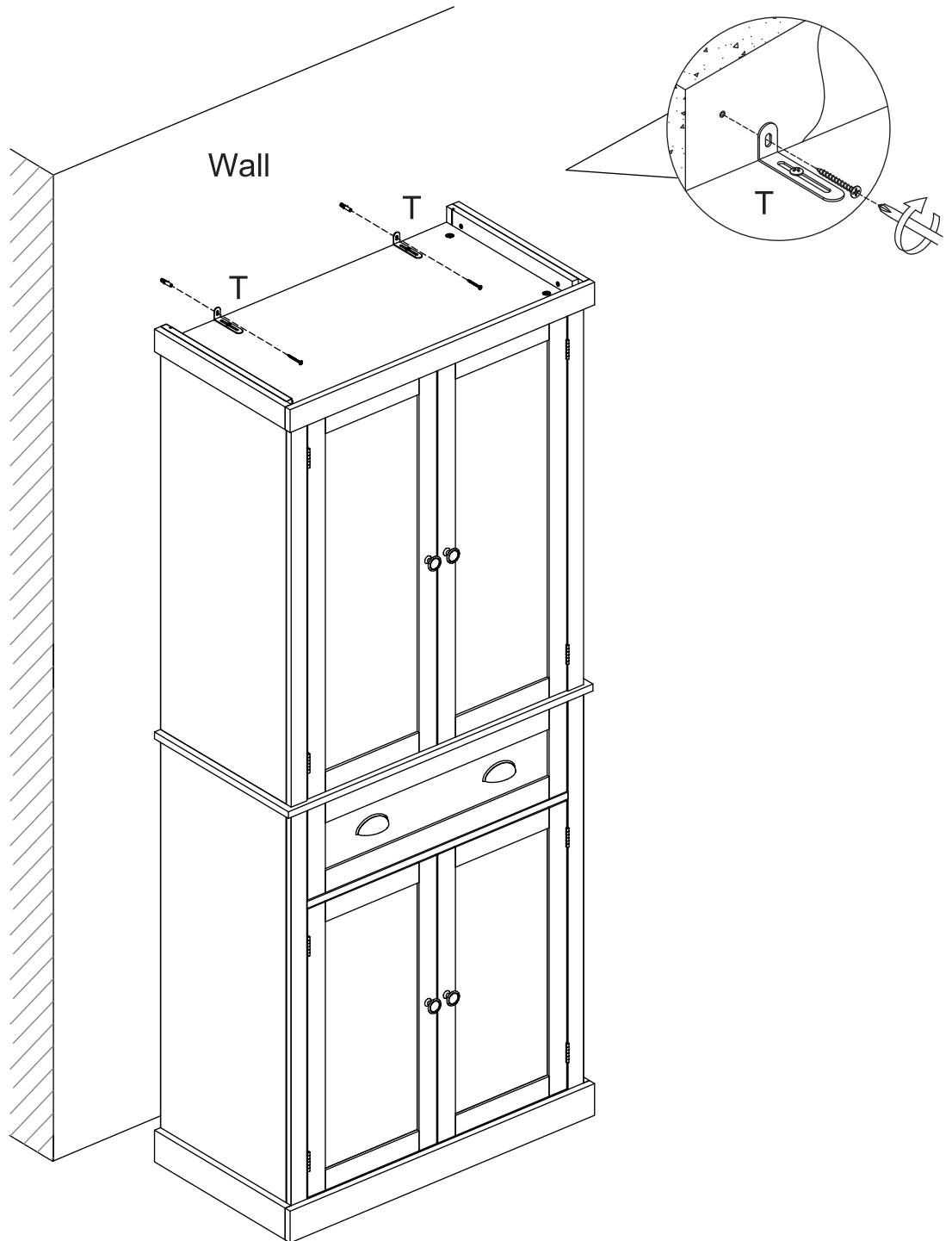
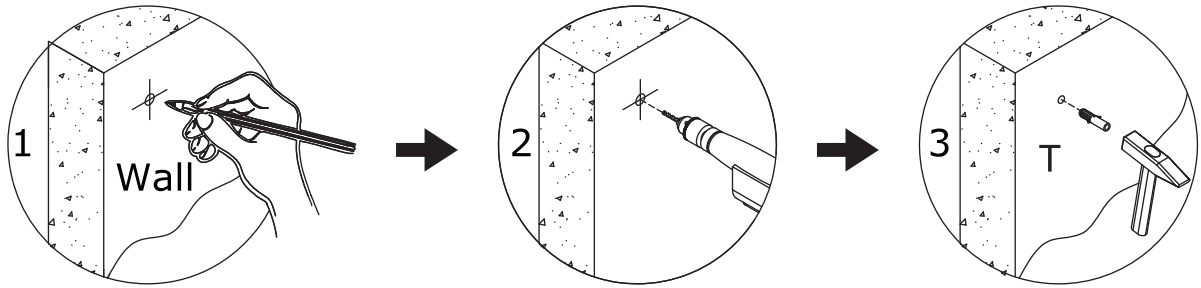
STEP 31



STEP 32



STEP 33



FURNITURE CARE AND MAINTENANCE

Particleboard

Thank you for your purchase. We want your item to last as long as possible. To ensure the product gives you years of service, please refer to this care and maintenance guide.



MAINTENANCE

- **Tighten all bolts and screws again within the first 2 weeks of assembly**
- **Check the tightness of all bolts every 2 months, tighten them if necessary**



CLEANING

- **Clean the surface of the PB(Particleboard) with a lightly dampened cloth.**
- **Small amount of mild soap can be used if necessary**
- **Dry the surface immediately after cleaning.**

- ⚠ **DO NOT use bleach or alcohol detergent to clean the surface.**
- ⚠ **DO NOT apply wood treatment on parts made with PB.**

**Particleboard will swell and distort when suffer .
Make sure to dry the furniture immediately after cleaning**