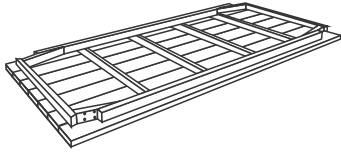


# ASSEMBLY INSTRUCTION FOR

## Soho Outdoor Dining Table-106"



Top Table

A= 1 Pc



Legs

B= 4 Pc



Ring  
(M10)

C= 16 Pcs



Ring Lock  
Washer (M10)

D= 16 Pcs



Nuts SS  
(M10)

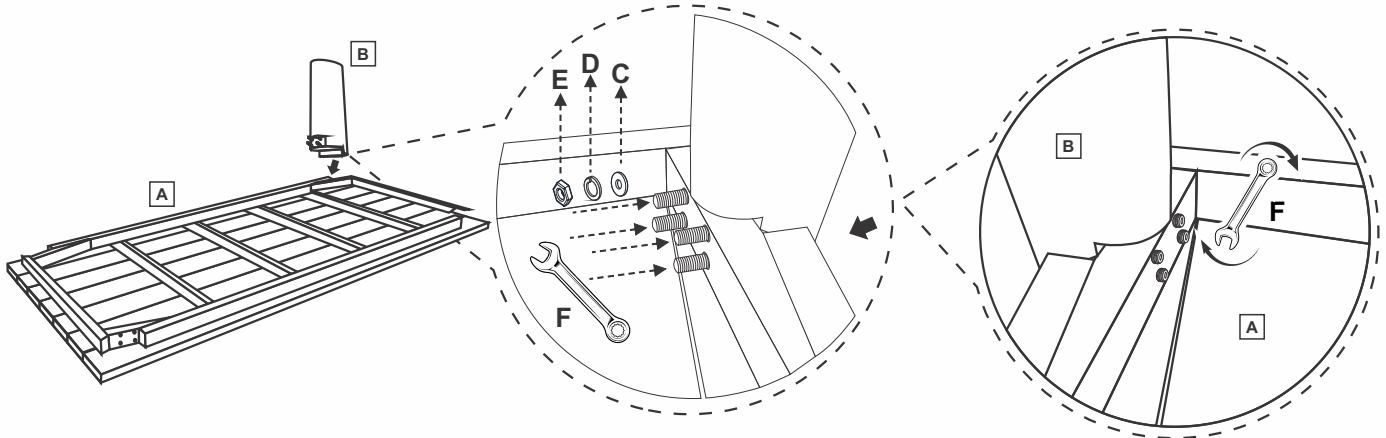
E= 16 Pcs



Wrench 17

F= 1 Pcs

1



2

