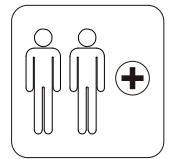
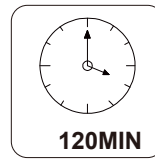
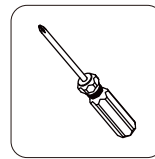
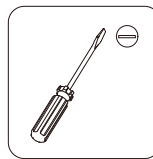
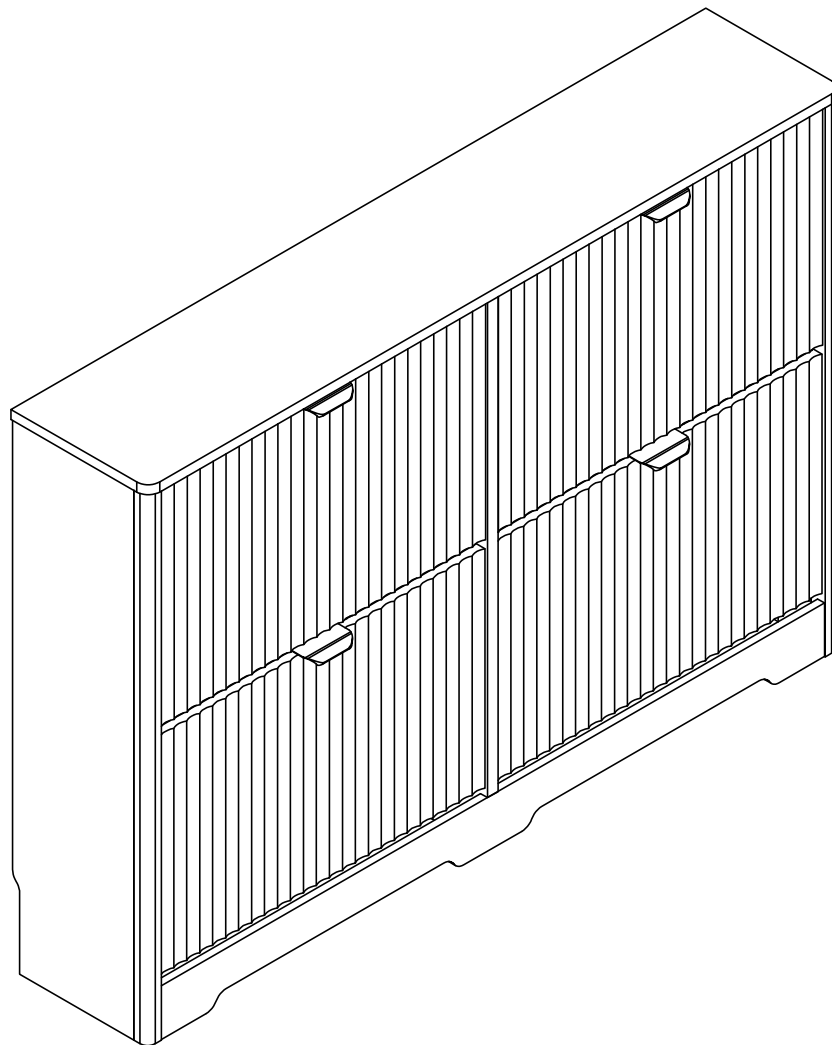


Installation & Assembly

Version:1.0



EN_IMPORTANT, RETAIN FOR FUTURE REFERENCE: READ CAREFULLY.

. THANK YOU FOR PURCHASE! .

FREE REPLACEMENT PARTS AVAILABLE!

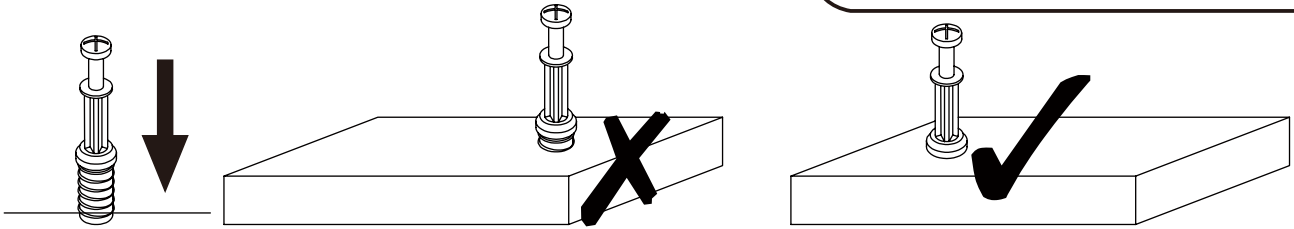
If you're experiencing any issues—whether due to shipping, assembly, or any other reason
—we're here to help.
For any damaged or missing components, we're happy to provide FREE replacement parts.

WANT TO CONTACT US

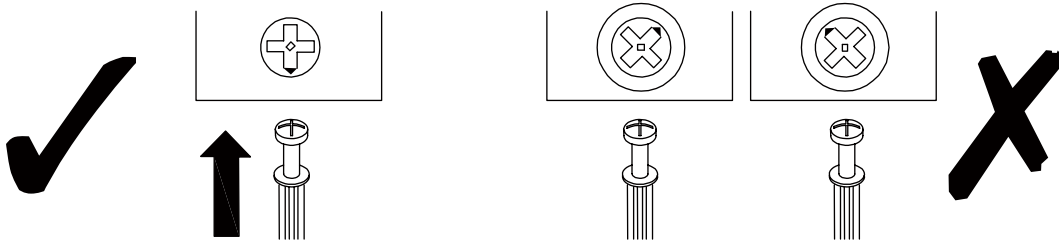
- ▶ Go to “Your Orders” and locate your furniture order.
- ▶ Click on “Get Help with Order” to send us a message directly.

Our customer support team is ready to assist you and we will respond within
12-24 HOURS to resolve your concerns quickly!

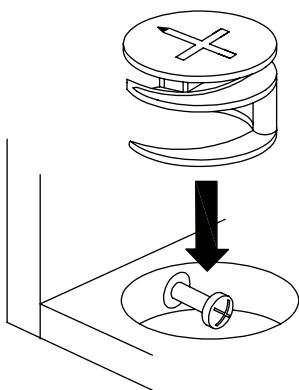
USING CAM LOCK AND QUICKFIT



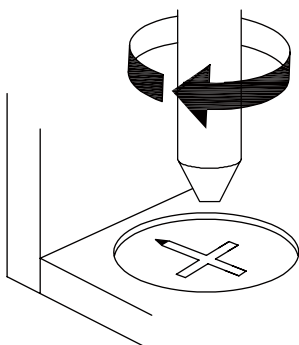
EN_QUICKFIT: Tighten quickfit until shoulder is flush with panel. Do not overtighten or undertighten.



EN_CAM LOCK: When fitting cam lock, ensure starting position is correct before you insert connecting quickfit.

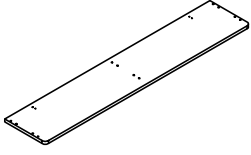
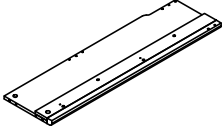
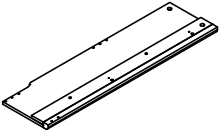
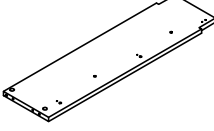
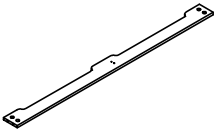
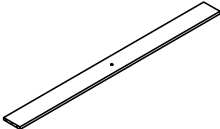
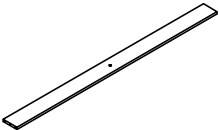
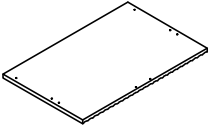
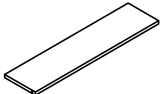




EN_Quickfit head should be in the centre of the cam lock when the two panels are joined.
Cam lock should be inserted before quickfit.

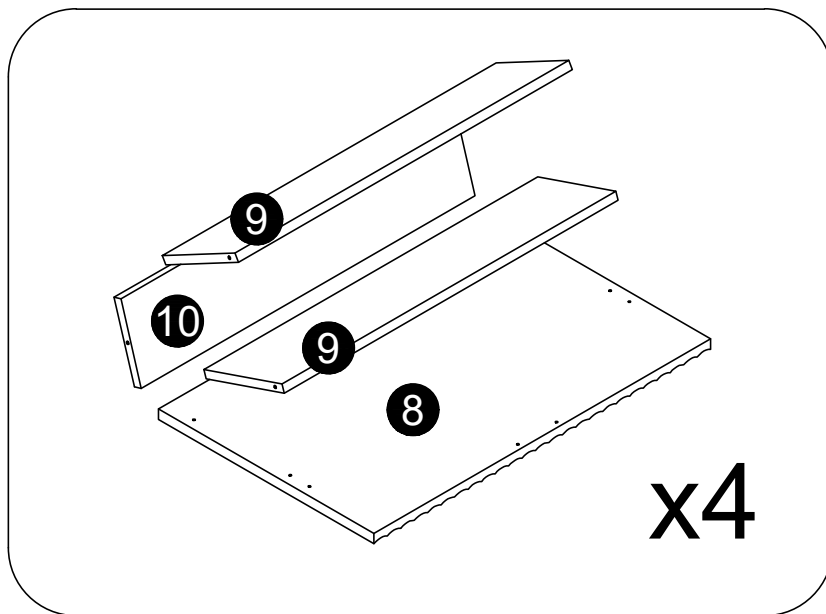
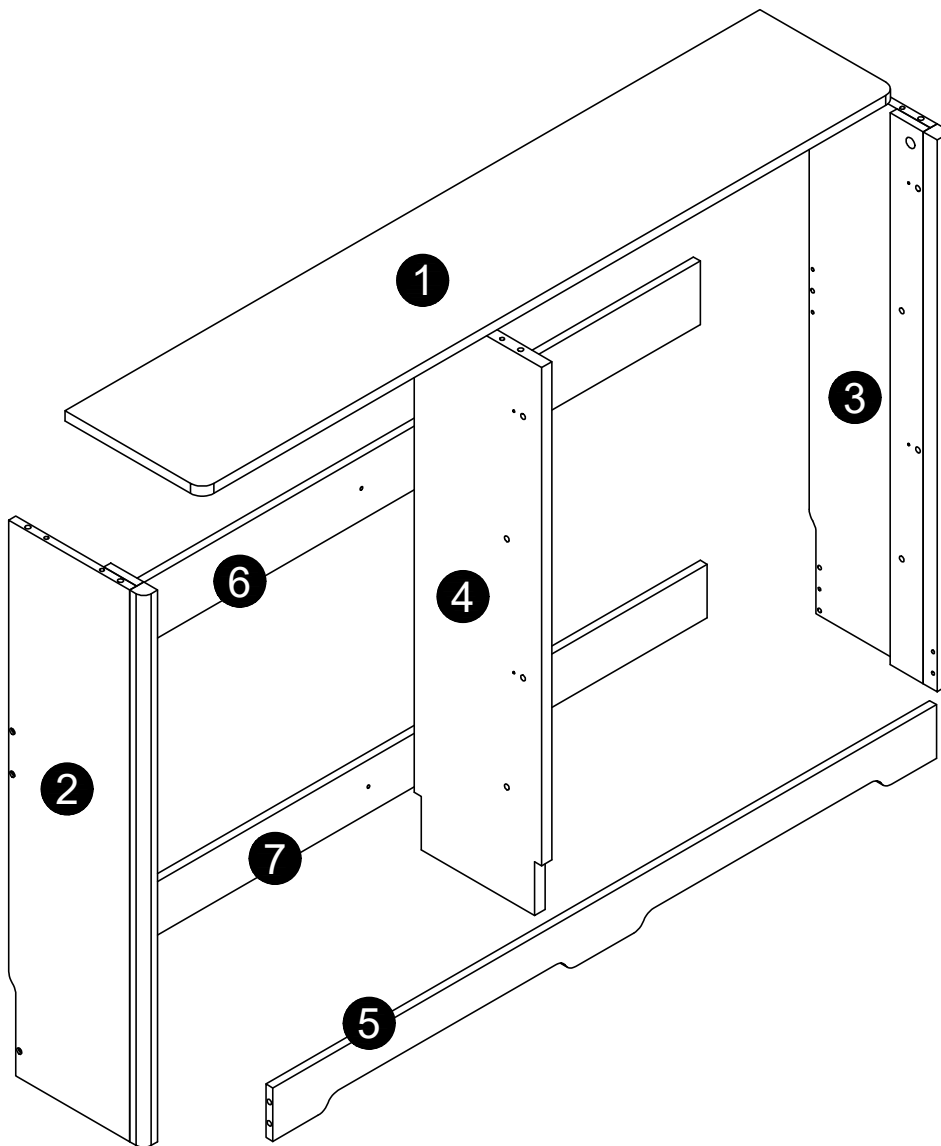


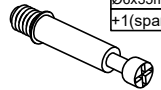

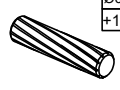
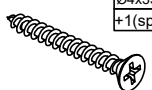
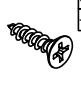
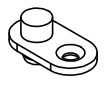



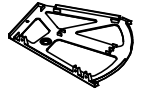
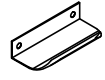
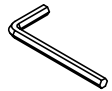

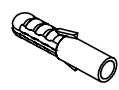

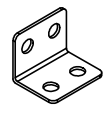
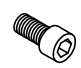
EN_Turn cam lock clockwise to tighten.


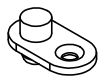
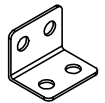
PACKING DELALS

NO.	PARTS	QTY	SPARE
①		x1	
②		x1	
③		x1	
④		x1	
⑤		x1	
⑥		x1	
⑦		x1	
⑧		x4	
⑨		x8	
⑩		x4	

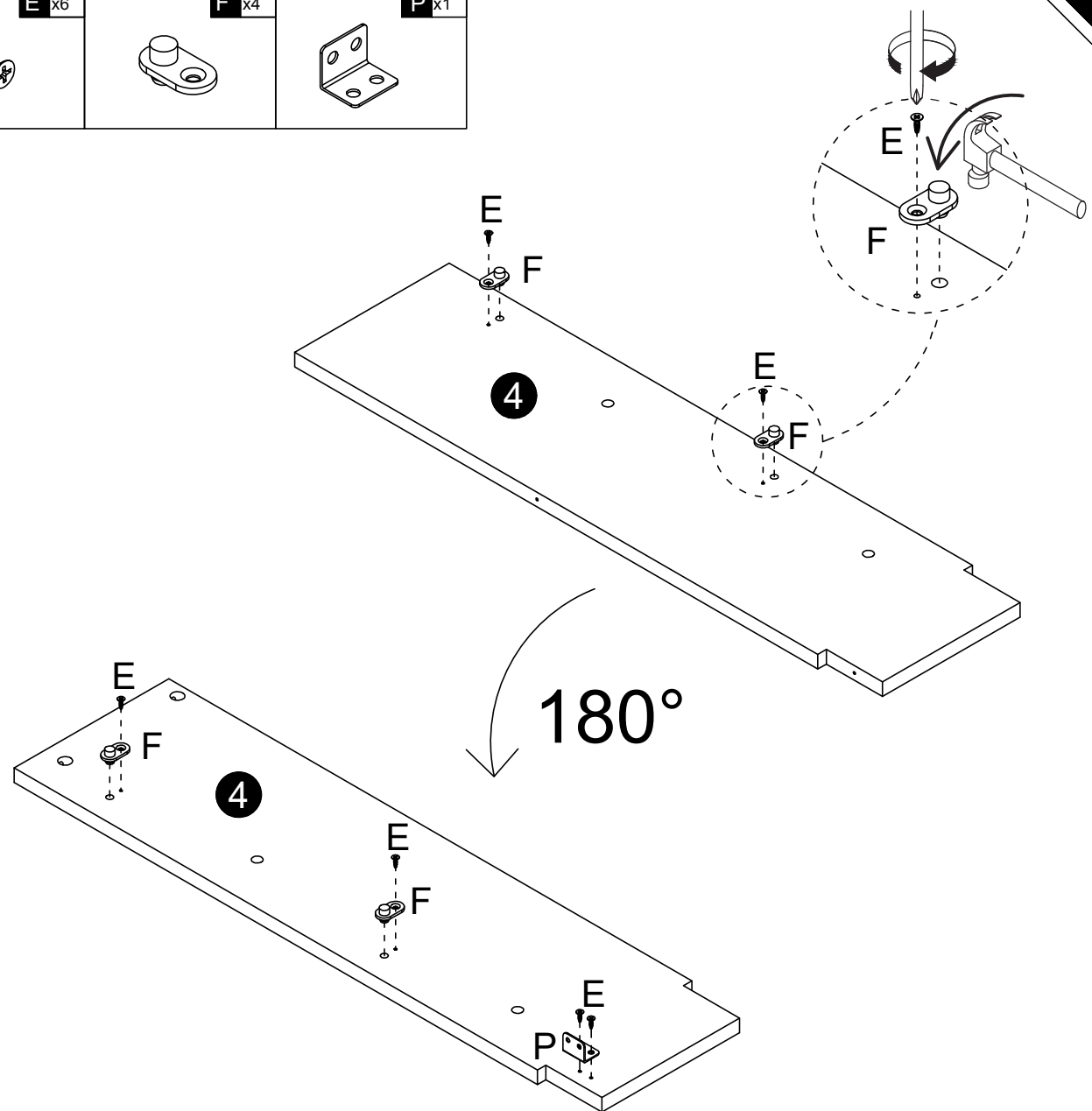
NO.	PARTS	QTY	SPARE
	 Hardware Kit	x1	



<p>A x10 Ø6x35mm +1(spare)</p> 	<p>B x10 Ø15x10mm +1(spare)</p> 	<p>C x12 Ø6x30mm +1(spare)</p> 	<p>D x10 Ø4x35mm +1(spare)</p> 	<p>E x68 Ø3.5x12mm +6(spare)</p> 	<p>F x8</p> 
<p>G x8</p> 	<p>H x4 Ø6x12mm</p> 	<p>I x4</p> 	<p>J x4</p> 	<p>K x4</p> 	<p>L x1</p> 
<p>M x2 M-1 M-2</p> 	<p>N x2</p> 	<p>O x6</p> 	<p>P x1</p> 	<p>Q x4 Ø6x15mm</p> 	

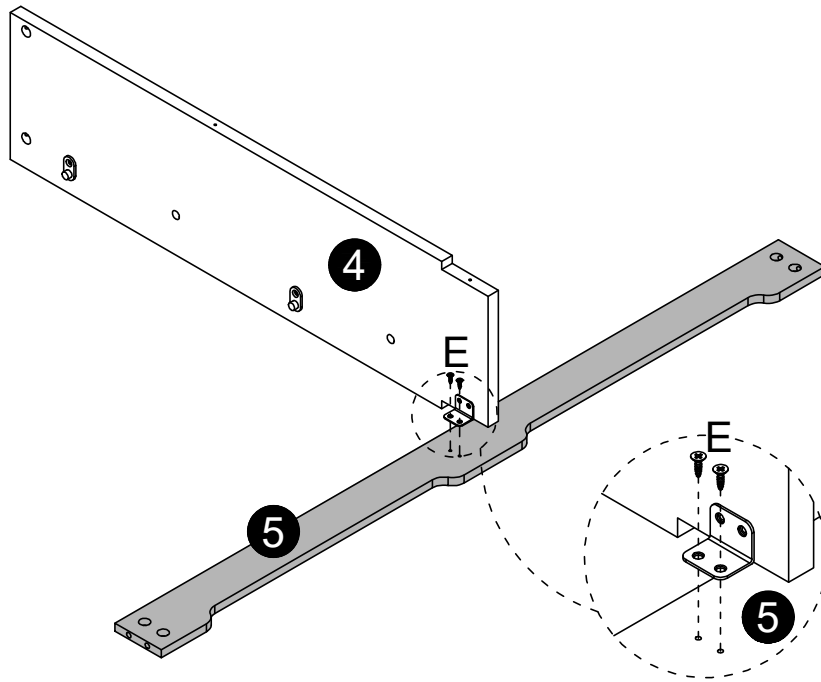
<p>E x6</p> 	<p>F x4</p> 	<p>P x1</p> 
--	--	--

01



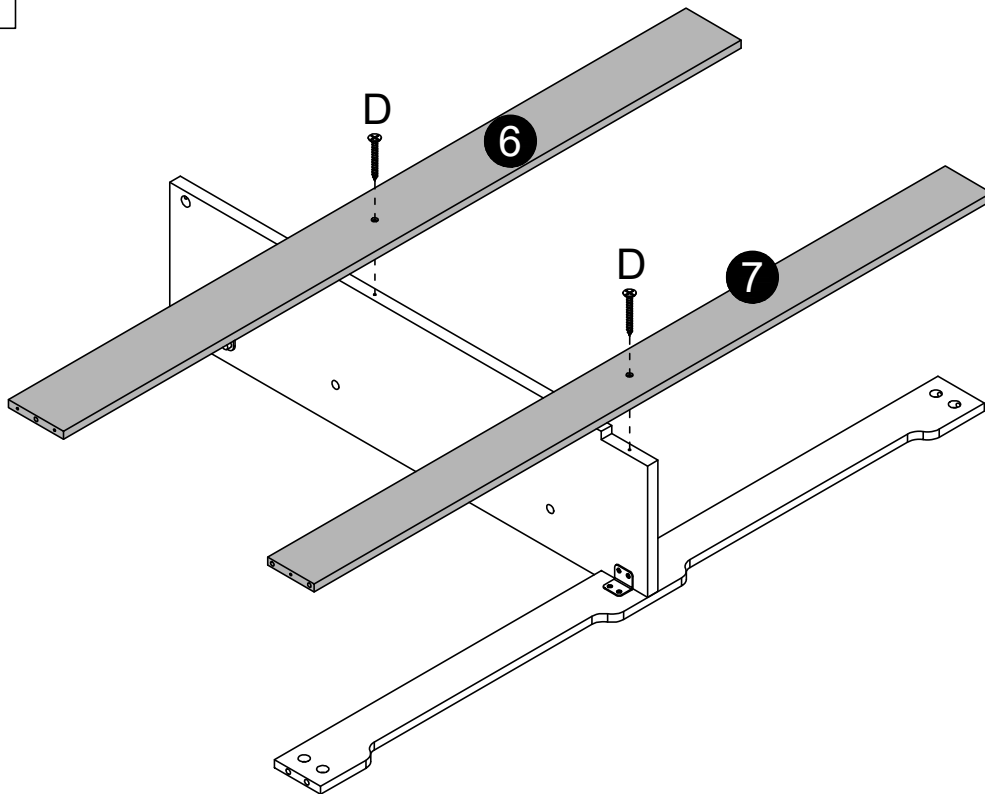
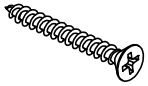
E x2

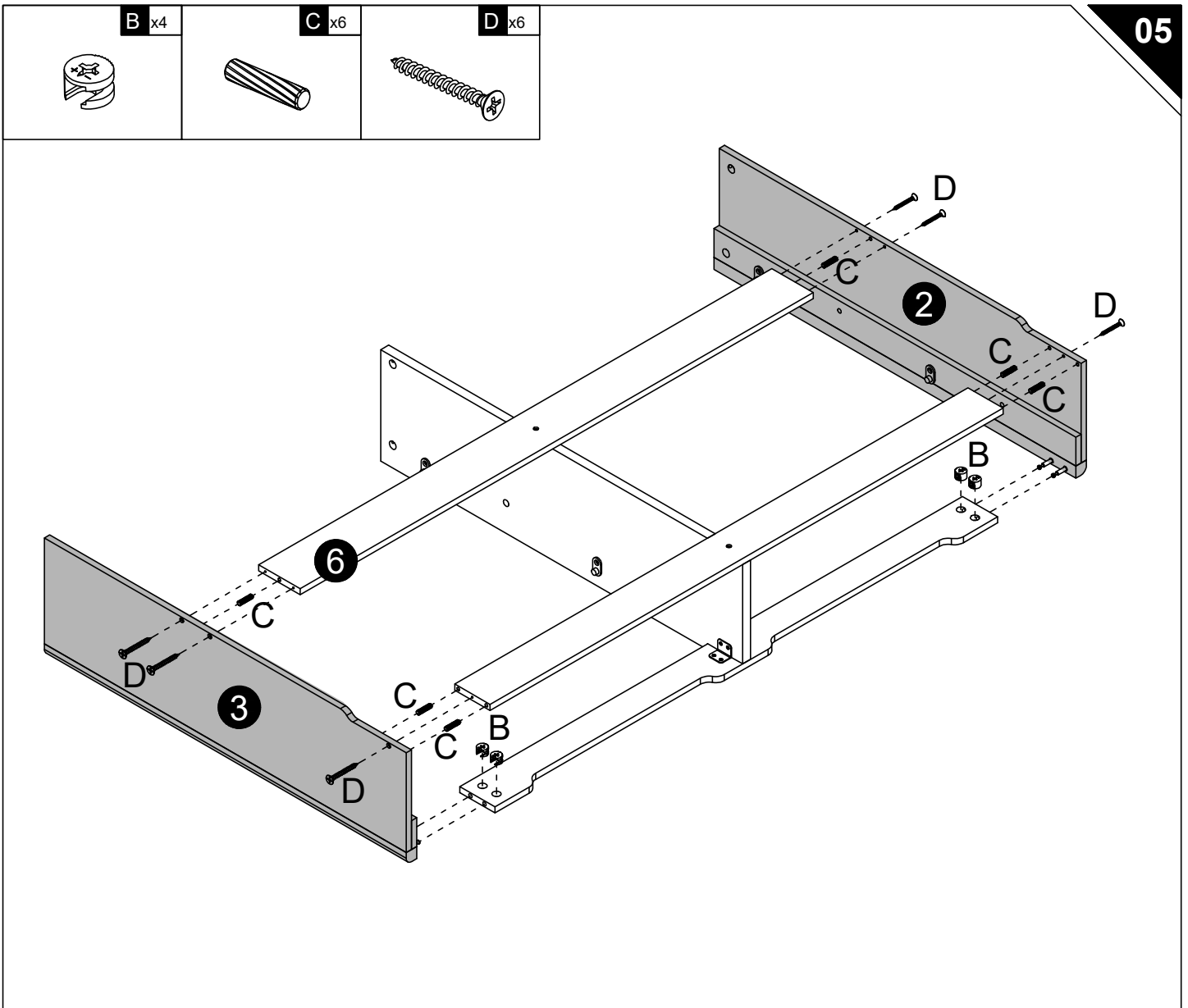
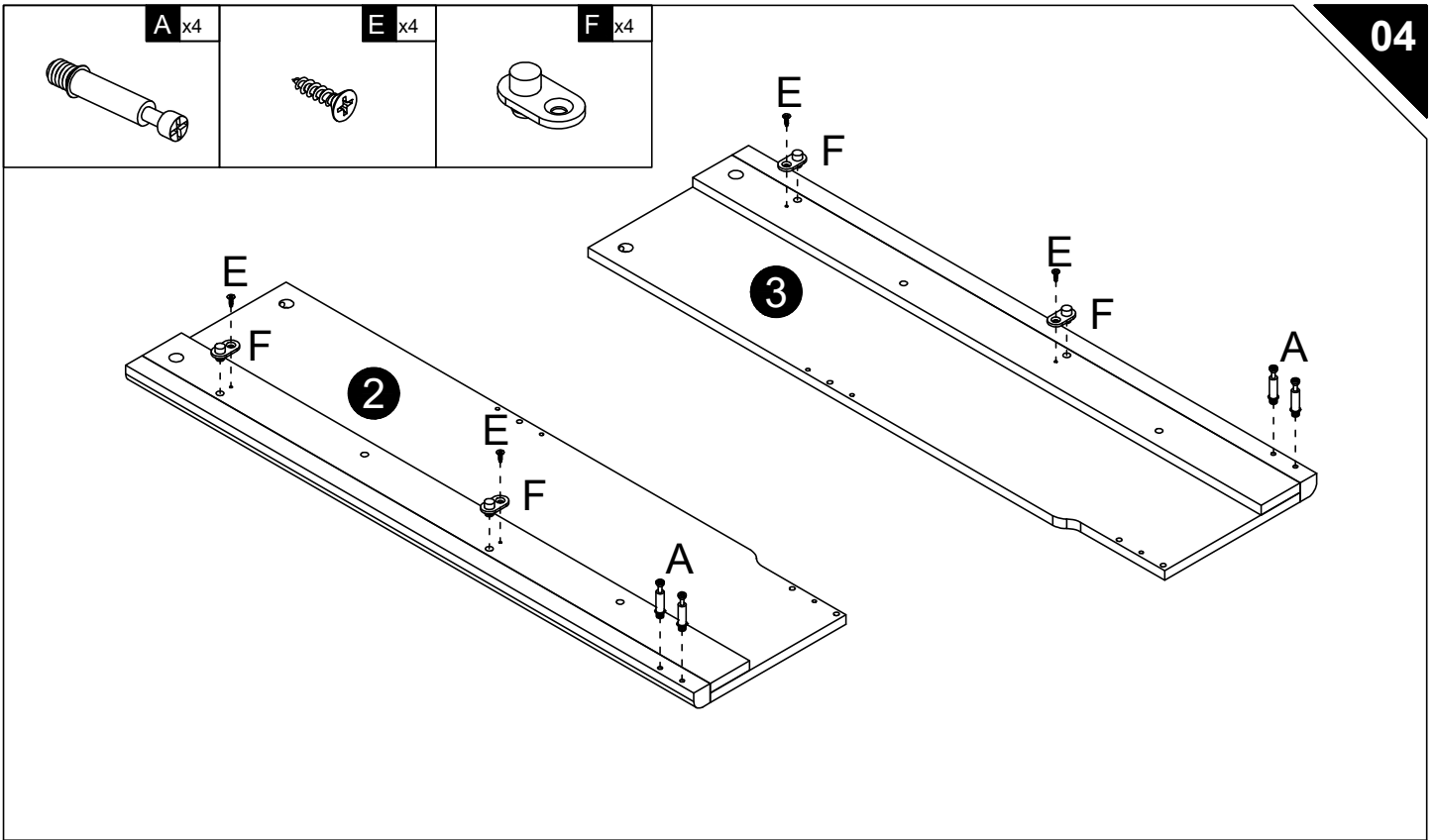
02

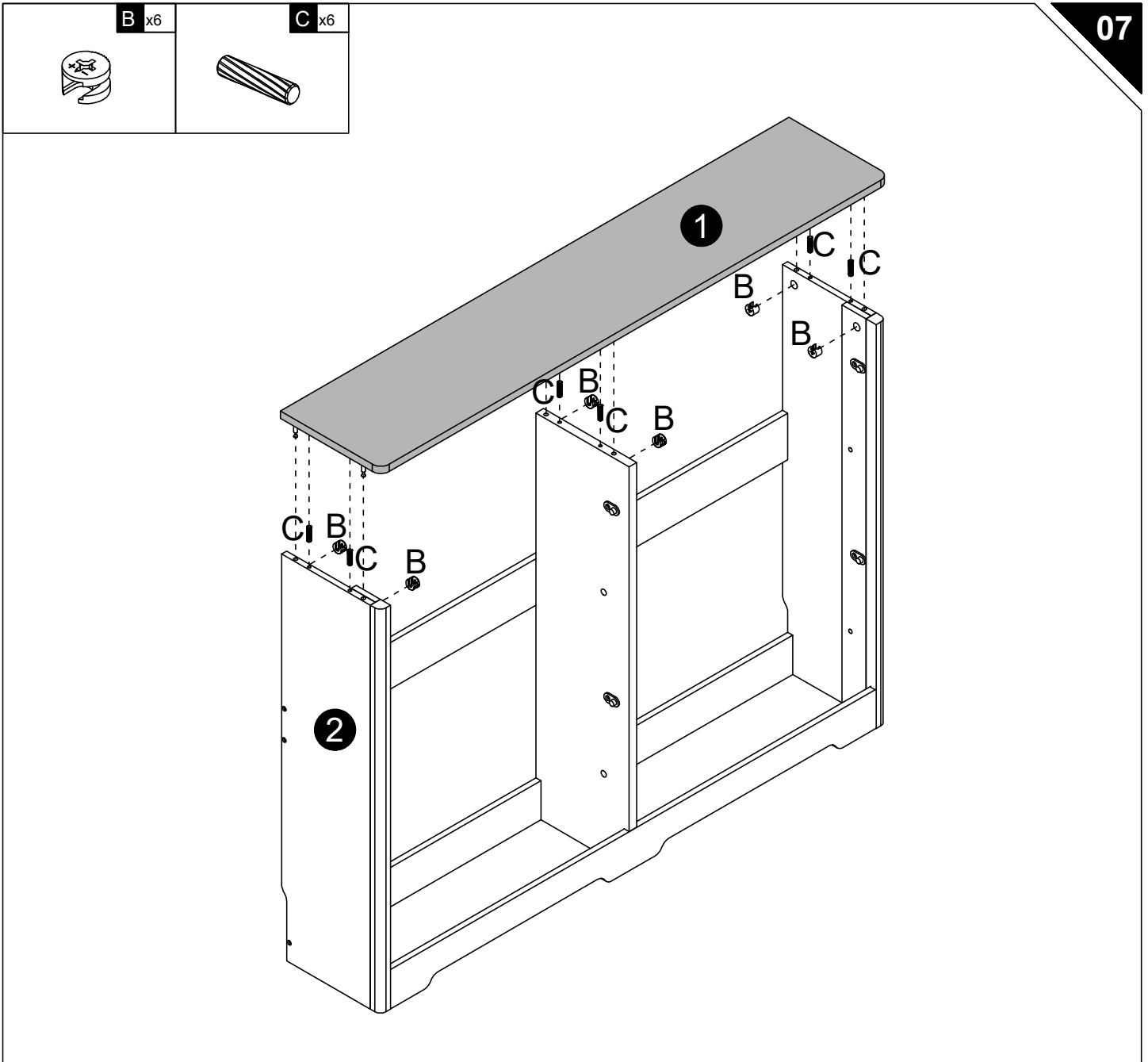
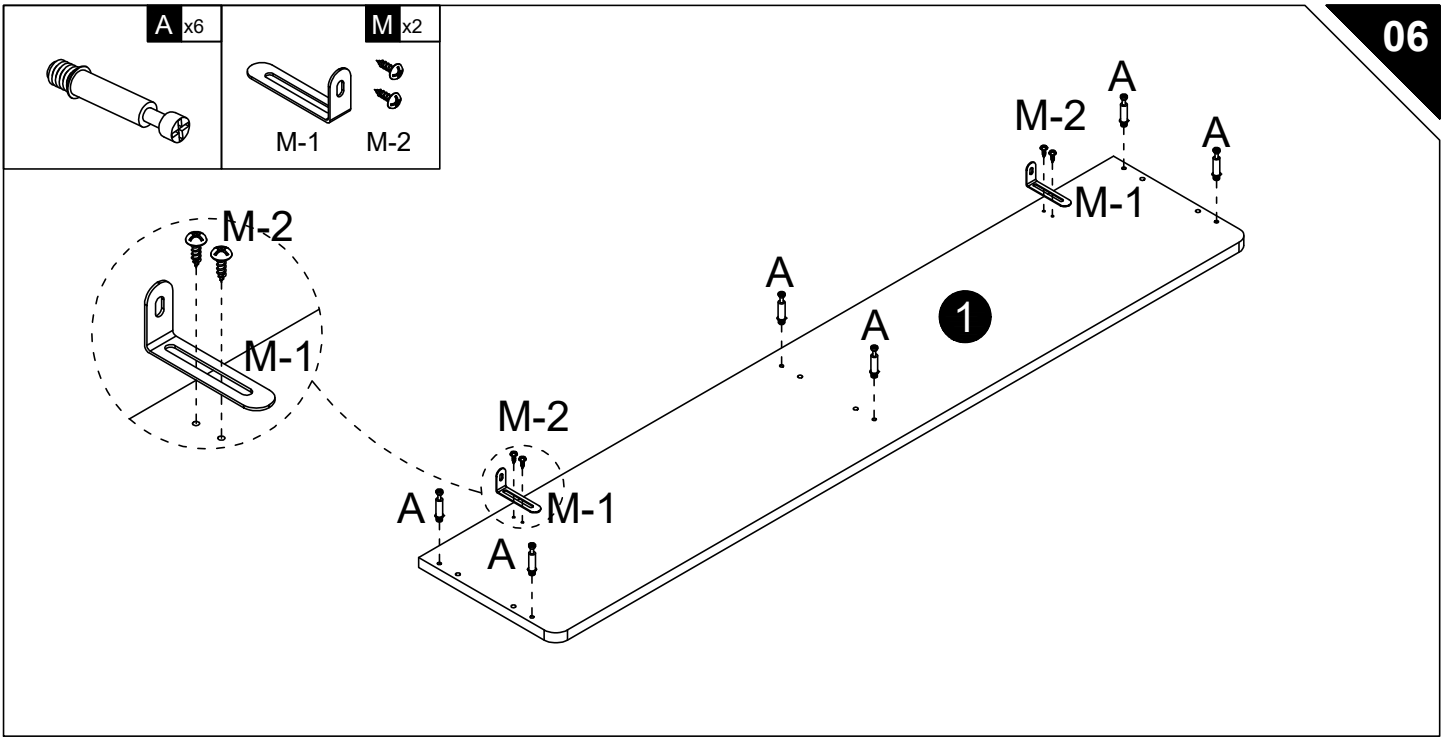


D x2

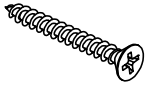
03



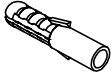




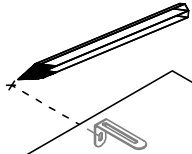
D x2



N x2



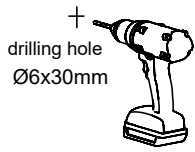
WALL



(1)x2

First, use a ruler to measure the approximate height of the product on the wall, and then mark it with a pen.

WALL

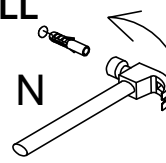


drilling hole
Ø6x30mm

(2)x2

Then use a tape drill to make holes in the wall that are suitable for the product screws.

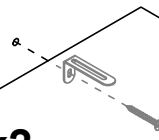
WALL



(3)x2

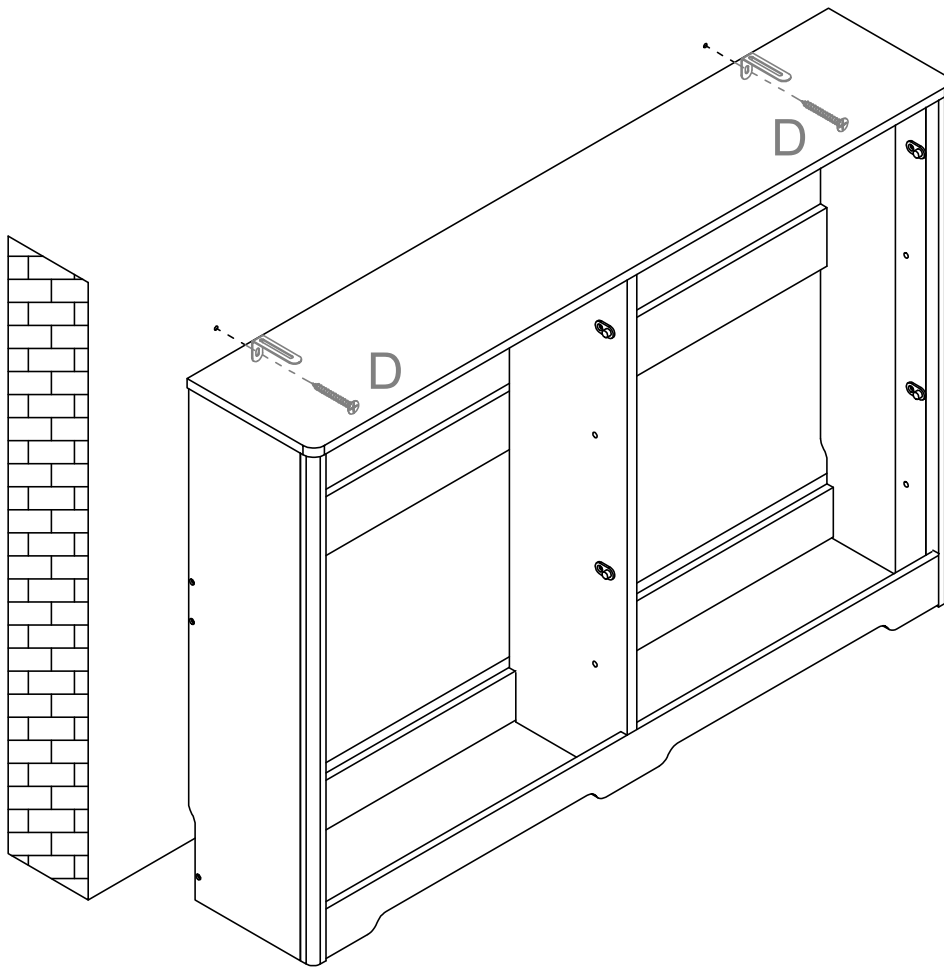
Then, put the expansion bolt into the hole

WALL



(4)x2

Finally, pass the matching screws through the "anti-rewind" and tighten them to fix them on the wall.



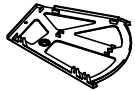
E x48



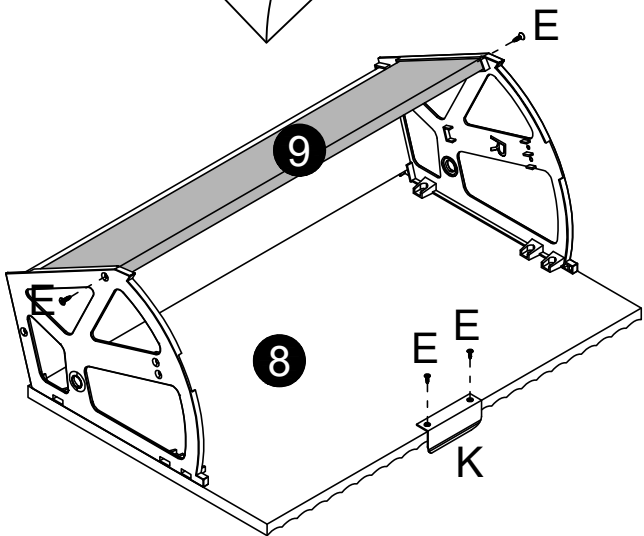
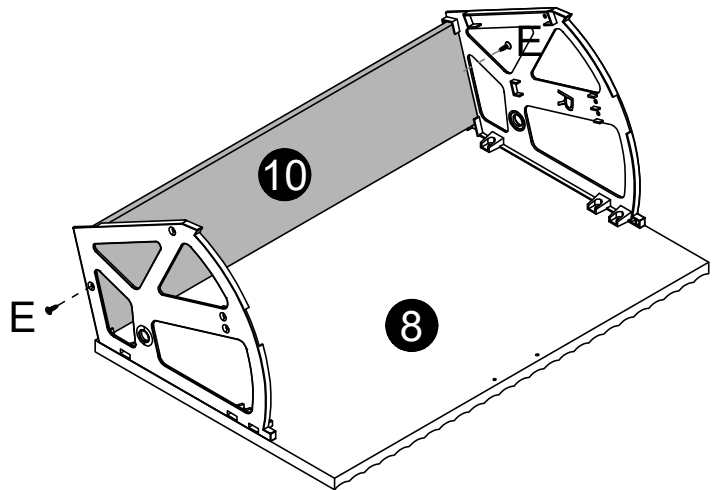
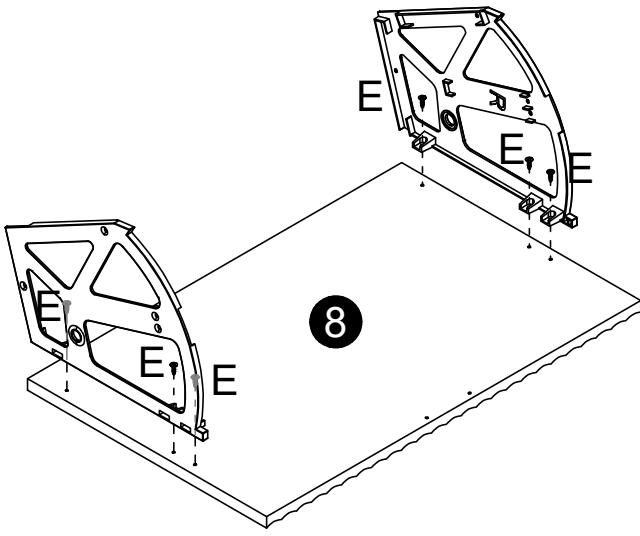
I x4



J x4



K x4



x4

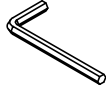
G x8



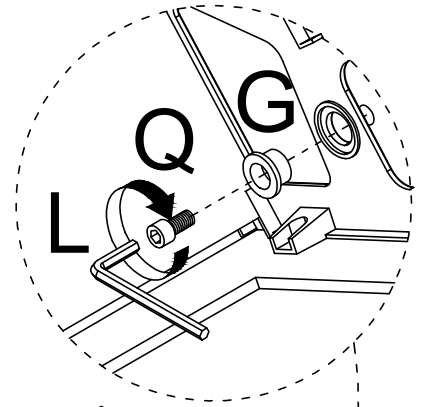
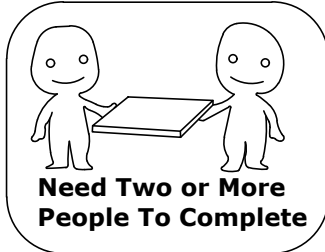
H x4



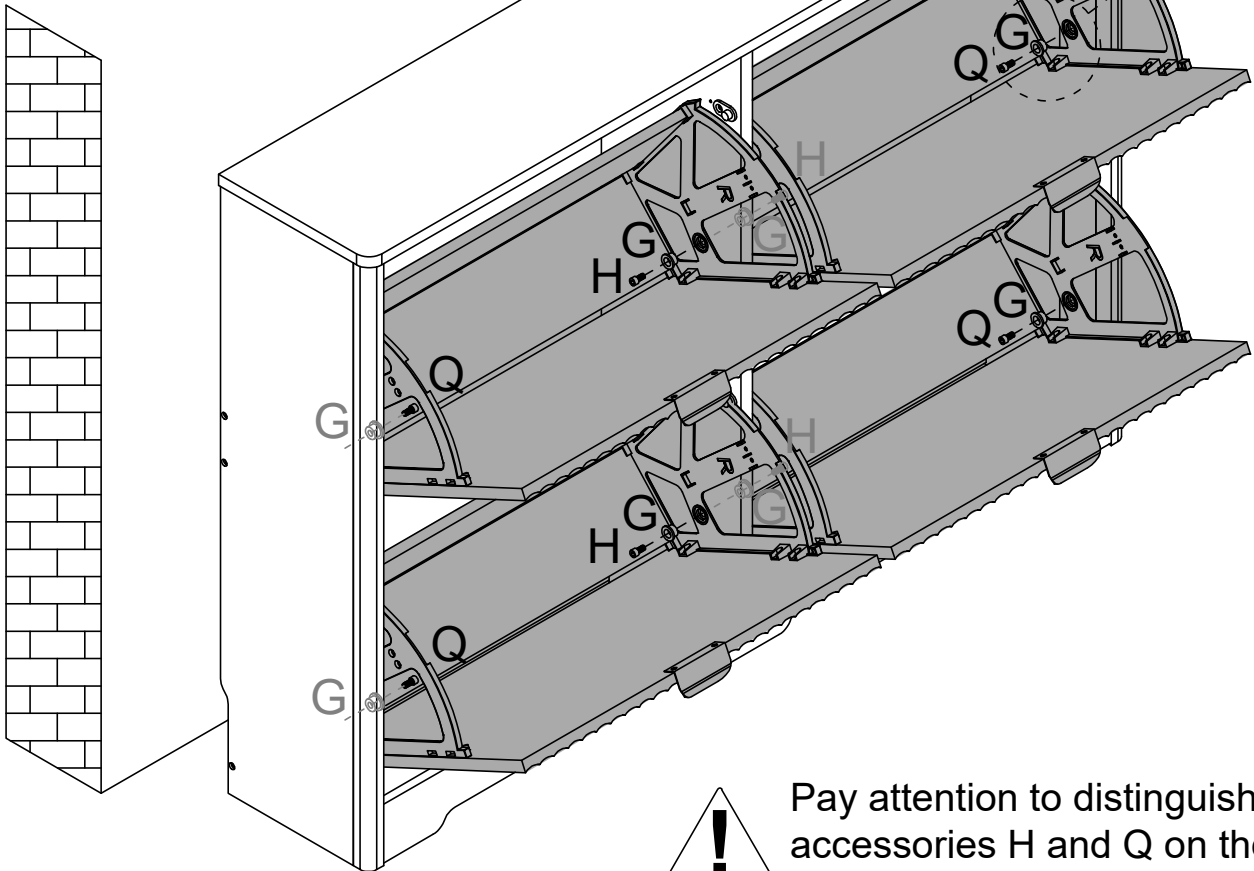
L x1



Q x4



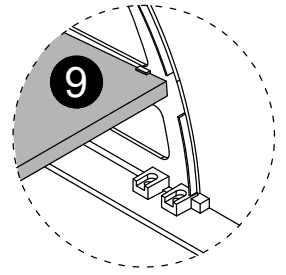
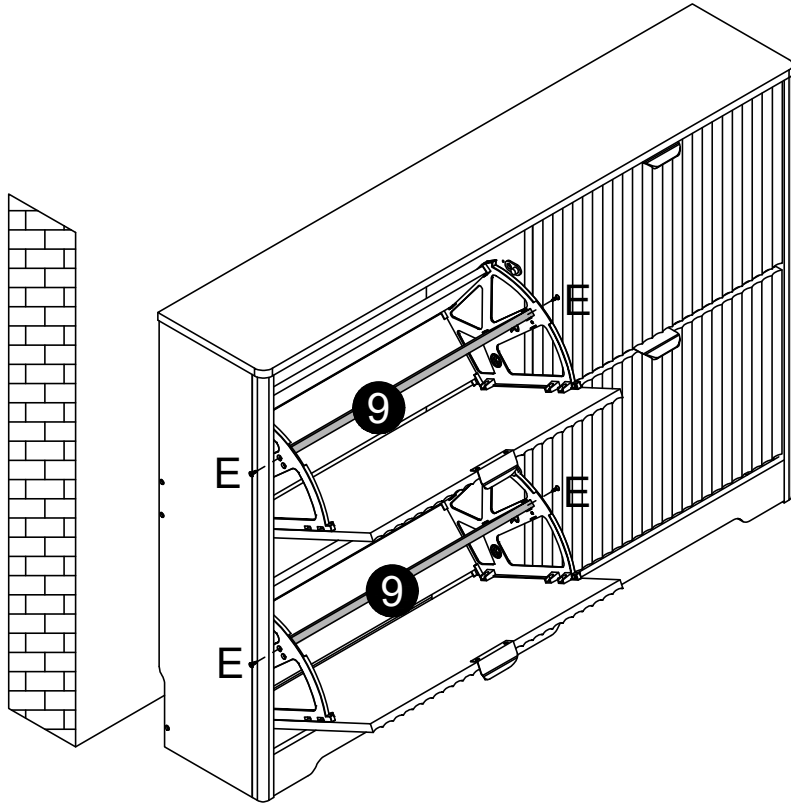
When installing H, Q, it is sufficient to reach 90% progress. Installing 100% may cause damage to G.



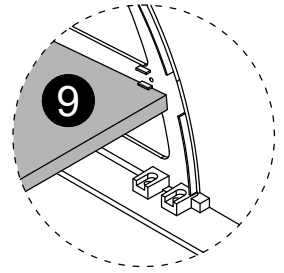
Pay attention to distinguishing accessories H and Q on their corresponding boards

E x4

11

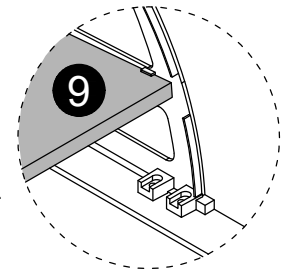
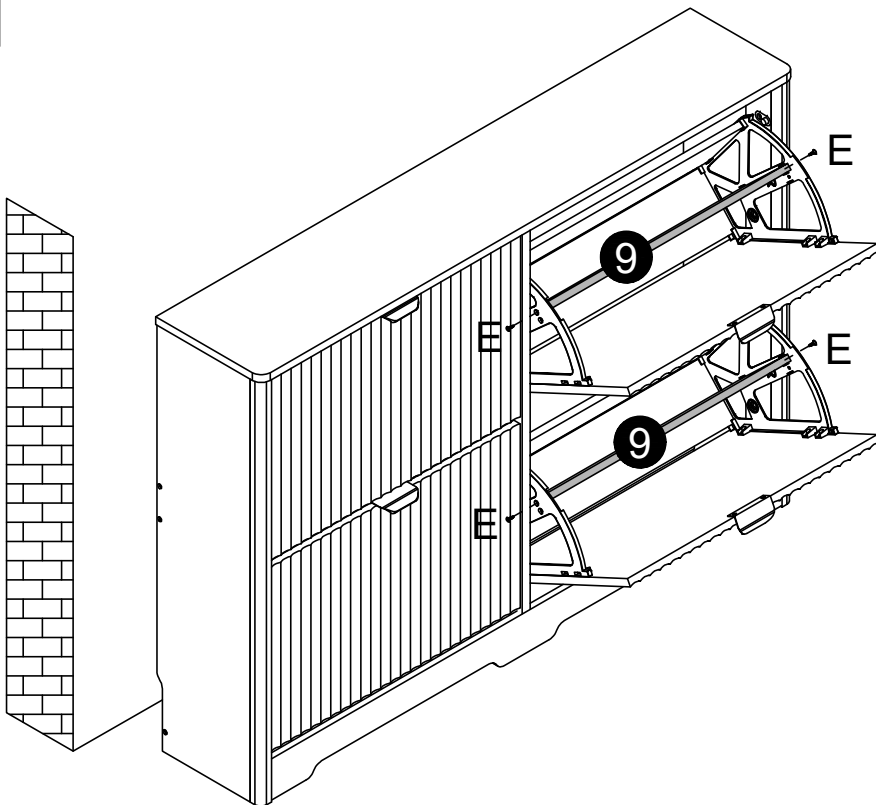


OR

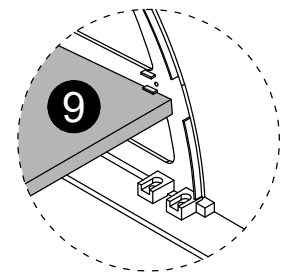


E x4

12



OR



○ x6

