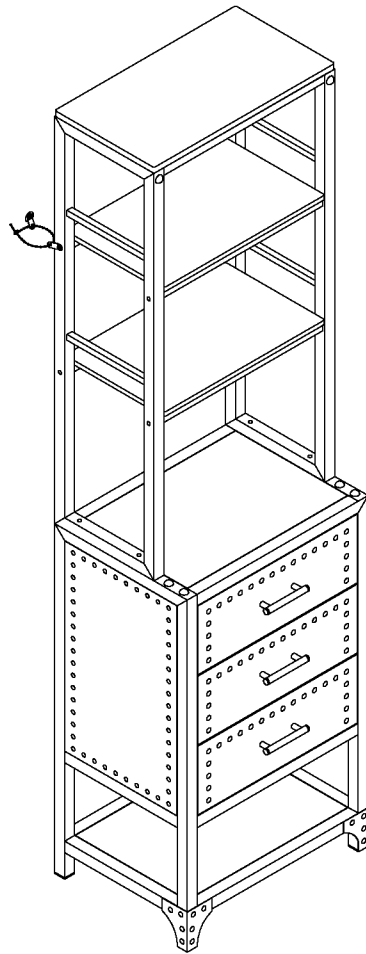


Assembly Instructions



ASSEMBLY RATING

The Assembly Rating is a 5-point system that shows the degree of effort needed in assembling a specific product (with 1 being easy and 5 being difficult). For some products, two persons are recommended.

EASY



DIFFICULT

Tools Required For Assembly:

Allen Wrench



(Included)

Phillips Screwdriver



(Not Included)

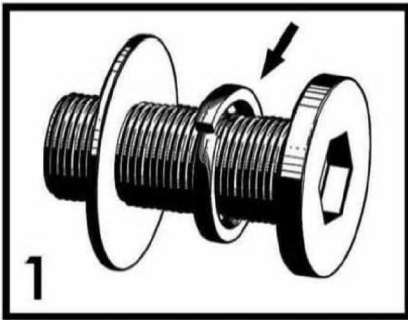


2 PERSONS RECOMMENDED

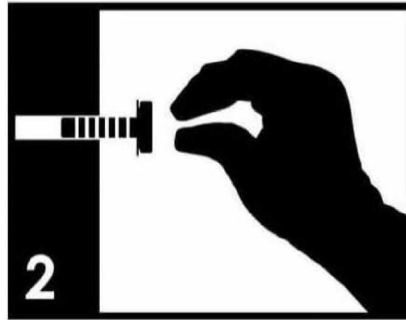
ASSEMBLY & CARE ADVICE

FOR YOUR FURNITURE TO LAST, CORRECT ASSEMBLY AND PROPER MAINTENANCE ARE NECESSARY. PLEASE FOLLOW THE INFORMATION PROVIDED BELOW TO FULLY ENJOY YOUR FURNITURE.

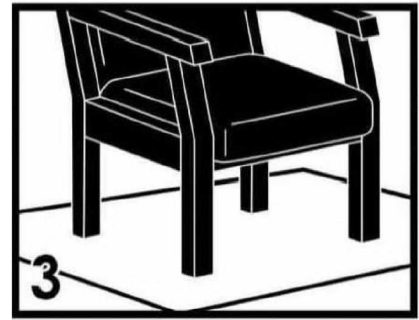
BASIC ASSEMBLY TECHNIQUES



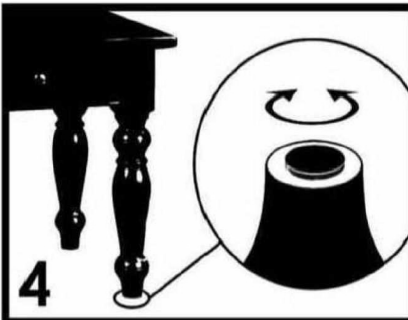
When lock or spring washer is used in an assembly, please make sure the lock or spring washer is placed between the larger flat washer and the head of the screw or bolt.



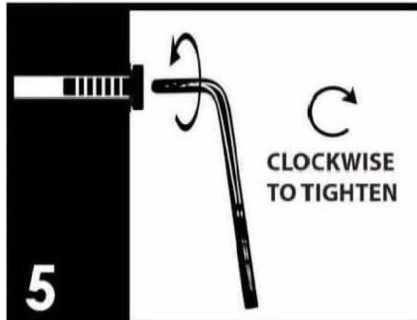
Position each part correctly and insert screws or bolts into their respective holes by hand tighten or using the proper hand tool. Only tighten when step is completed or when instructed to do so.



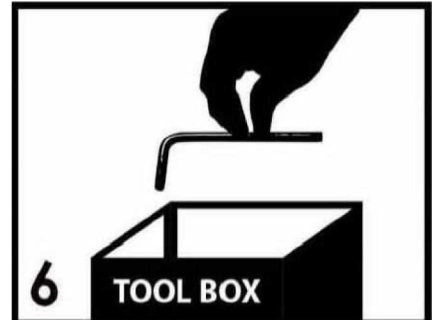
Use cardboard or carpet area when assembling furniture to prevent scratches. Make sure the furniture rests on a flat and level surface with each leg evenly touching the floor.



Some furniture comes with height adjustment knobs underneath each leg. To lower or to raise each leg, you need to turn clockwise or counterclockwise, respectively.



Make sure all parts are properly aligned, then use the appropriate hand tool to completely tighten the bolts or screws. Do not use power tools and do not overtighten.

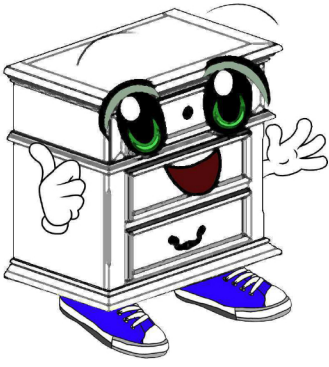


Save the instructions and store the Allen wrench or any supplied tool for later maintenance. After two weeks, check and tighten any loose hardware and repeat again every six months thereafter.

IT IS THE USER'S RESPONSIBILITY TO MAINTAIN THE FURNITURE. THE HARDWARE MAY LOOSEN OVER TIME AND MAY CAUSE THE FURNITURE TO BE WOBBLY AND UNABLE TO SUPPORT ITS INTENDED WEIGHT CAPACITY. THIS MAY LEAD TO COLLAPSE AND MAY CAUSE SERIOUS INJURY.



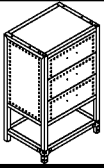
FAILURE TO FOLLOW THE GUIDELINES ABOVE MAY RESULT IN INJURY AND/OR PROPERTY DAMAGE.



Before you begin, please read Page 2 of "Assembly and Care Advice".

And remember, do not tighten until each step is completed or instructed.

Parts List



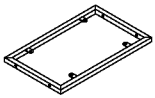
#1 x 1pc
Lower Chest



#2 x 1pc
Left Frame



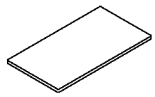
#3 x 1pc
Right Frame



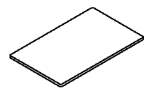
#4 x 1pc
Top Frame



#5 x 4pcs
Connect Tube



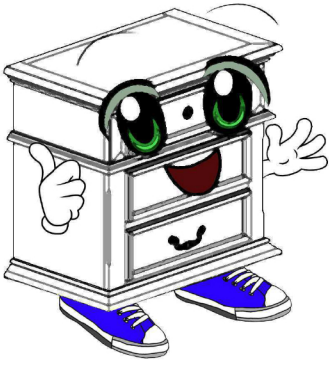
#6 x 1pc
Top Panel



#7 x 2pcs
Shelf



#8 x 3pcs
Handle



Before you begin, please read Page 2 of "Assembly and Care Advice".

And remember, do not tighten until each step is completed or instructed.

Hardware List



#A x 6pcs
Bolt 1/4" X 5/8"



#I x 1pc
Anchor



#B x 4pcs
Bolt 1/4" X 1-3/8"



#J x 1pc
Girding



#C x 12pcs
Bolt 1/4" X 1-3/4"



#D x 1pc
Allen Wrench M4



#E x 4pcs
Screw M5x12



#F x 8pcs
Screw M5x30



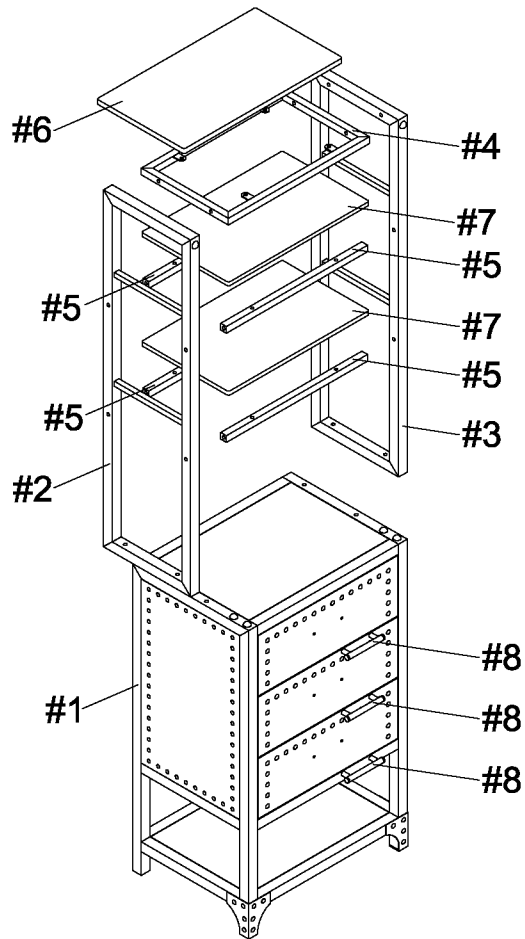
#G x 1pc
Screw M4x37



#H x 2pcs
Metal Plate

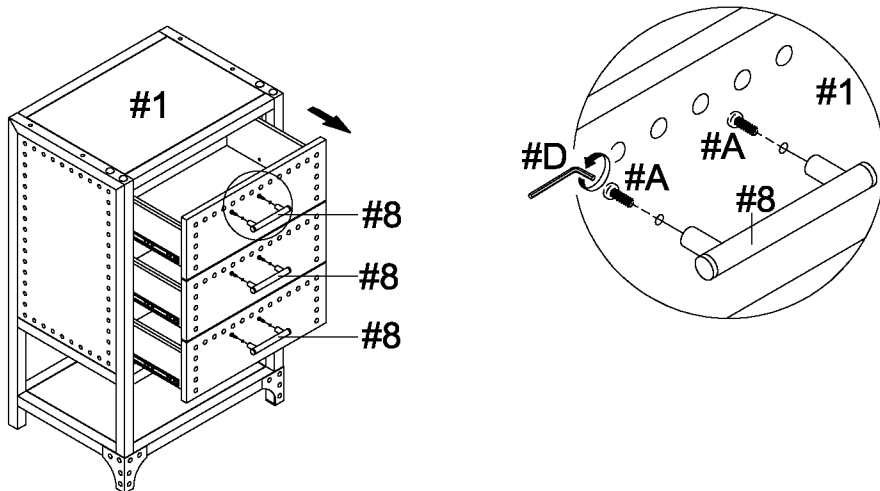


Exploded View



Align panels (#8) to the lower chest (#1), then secure by using bolts (#A).

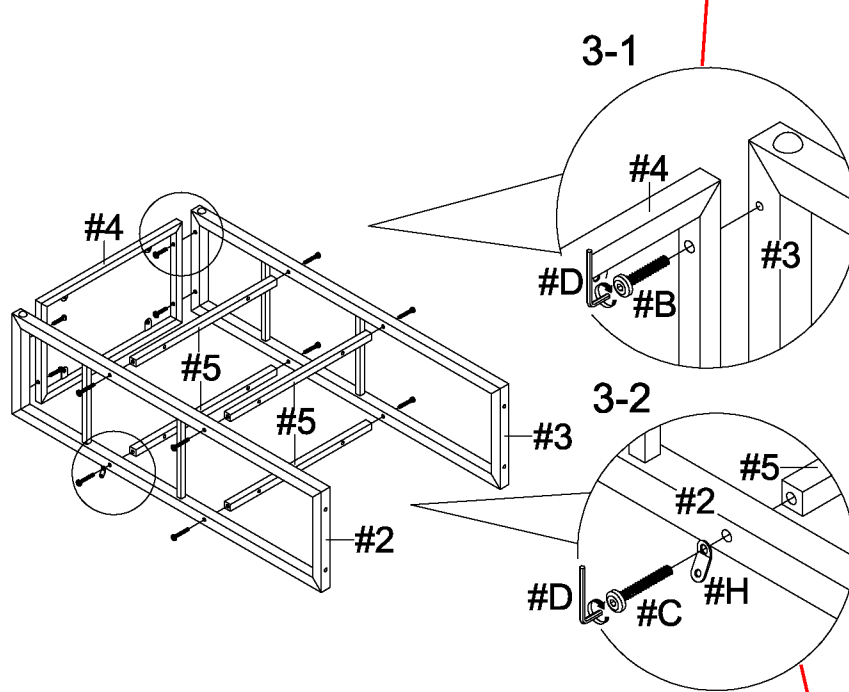
#A x 6pcs





Align top frame (#4) to the holes of the left and right frames (#2,3), then secure by using bolts (#B).

- #B x 4pcs
- #C x 8pcs
- #H x 1pc



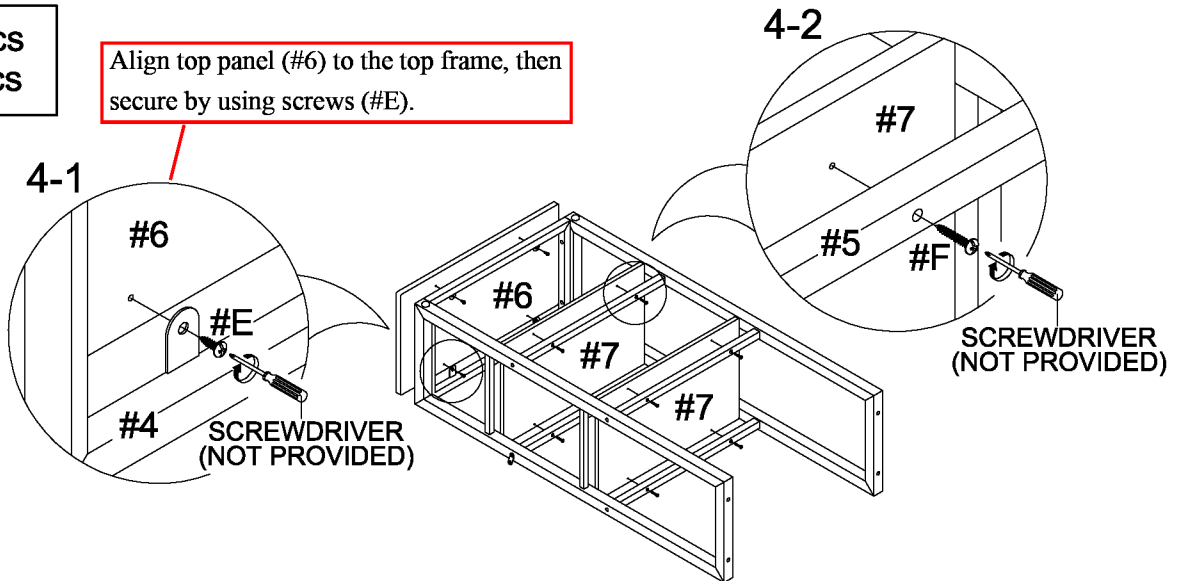
Align connect tubes (#5) to the holes of the left and right frames (#2,3), then secure by using bolts (#C).



Align shelves (#7) to the holes of the connect tubes (#5), then secure by using screws (#F).

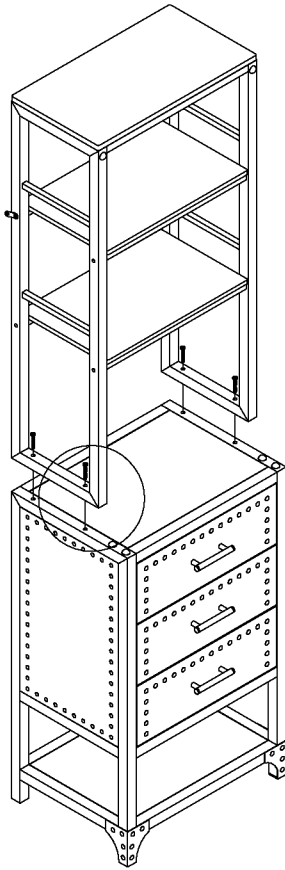
- #E x 4pcs
- #F x 8pcs

Align top panel (#6) to the top frame, then secure by using screws (#E).

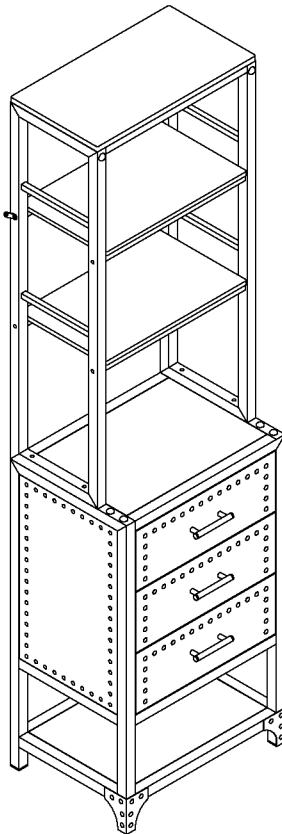
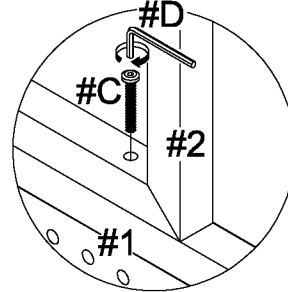




#C x 4pcs

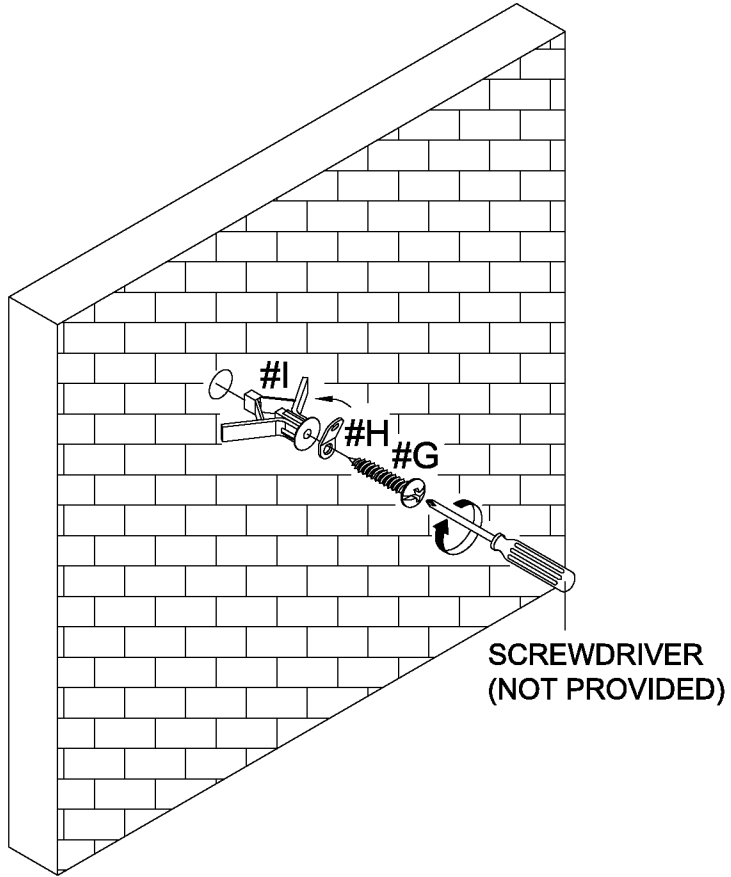


Align top shelves to the holes of the lower chest (#1), then secure by using bolts (#C).

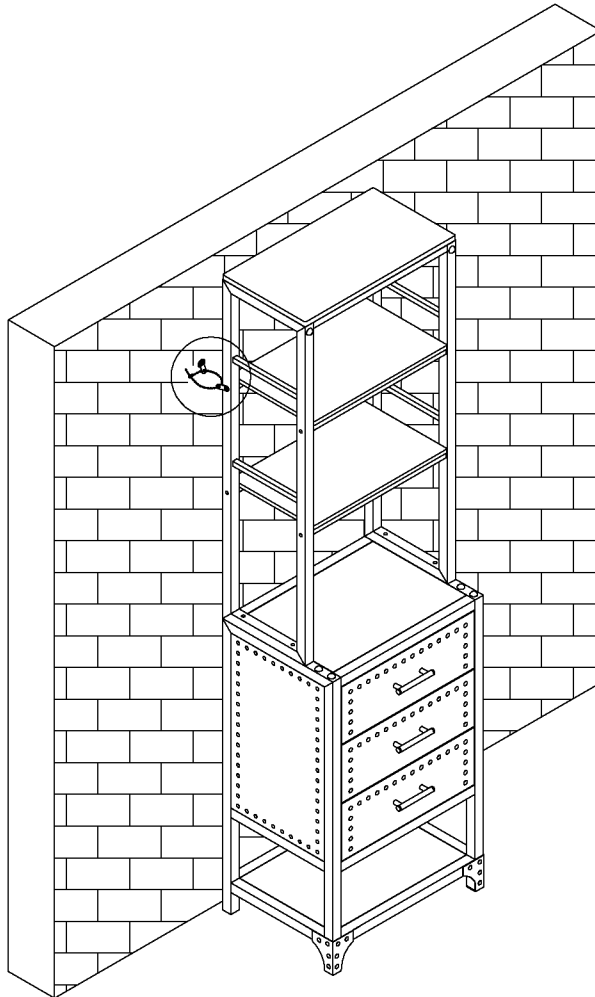




#G x 1pc
#H x 1pc
#I x 1pc



#J x 1pc



To Prevent Tip over
Product Must Be
Attached To Wall

