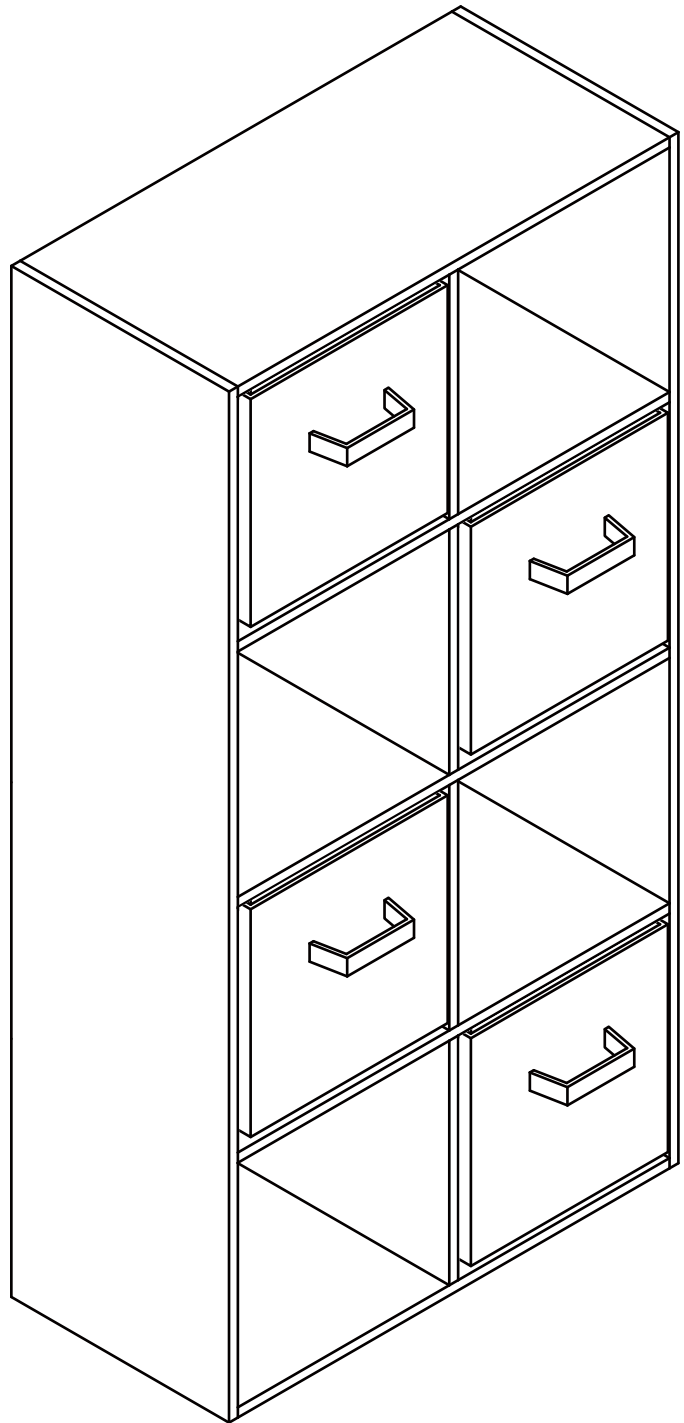


# *Instruction manual*





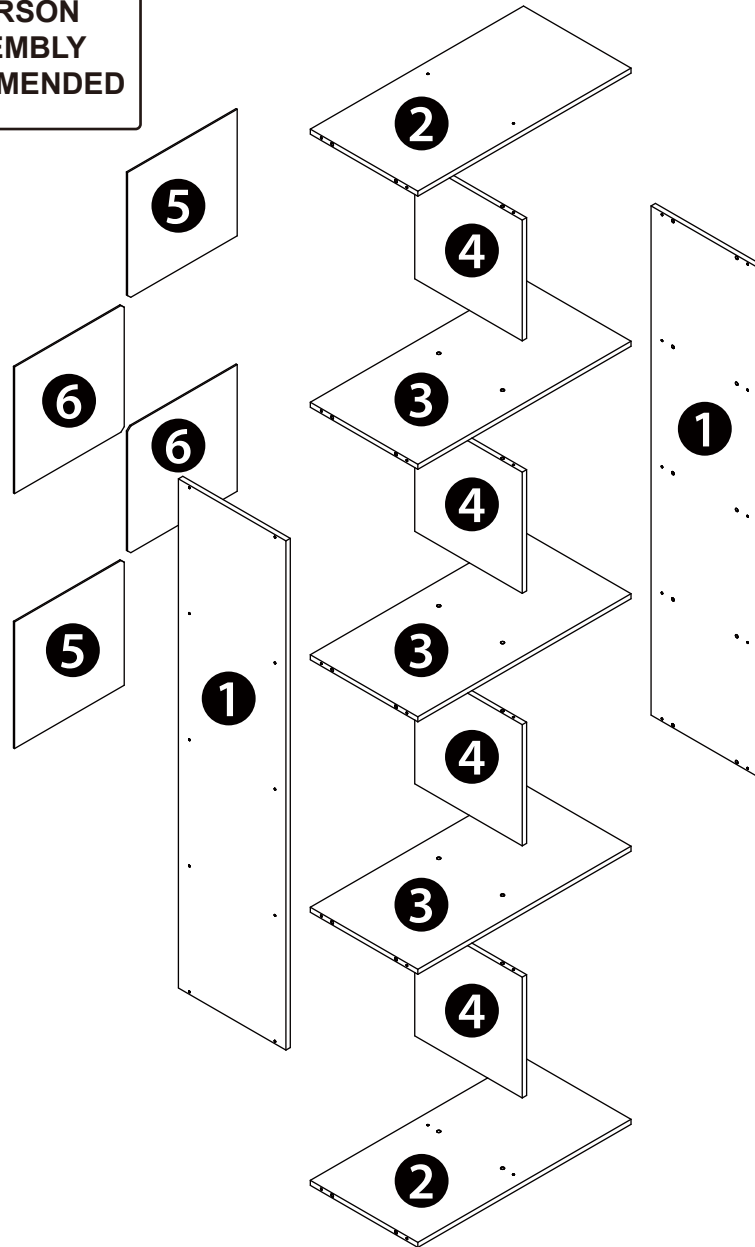
# SAFETY AND CARE ADVICE

PLEASE READ THESE INSTRUCTIONS CAREFULLY AND KEEP FOR FUTURE

- . Check you have all the components and tools listed on pages 2,3,4.
- . Remove all fittings from the plastic bags and separate them into their groups.
- . Keep children and animals away from the work area, small parts could choke if swallowed. .  
Make sure you have enough space to layout the parts before starting.
- . To avoid any risk of toppling, this furniture item/object must be securely attached to the wall. Check the suitability and the strength of the wall to ensure that the wall can bear the load of the furniture/object and withstand the forces put on the securing elements.

# COMPONENTS — PANELS

Please check you have all the panels listed below:



## PANEL LIST

<b>1</b>	Left Side Panel/Right Side Panel	x2	<b>4</b>	Vertical Panel	x4
<b>2</b>	Top Panel/Bottom Panel	x2	<b>5</b>	Back Panel	x2
<b>3</b>	Shelf Panel	x3	<b>6</b>	Back Panel	x2

# COMPONENTS — FITTINGS

---

Please check you have all the fittings listed below:



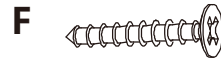
Screw x 24



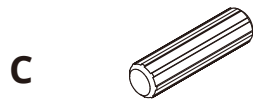
Screw x 1



Hole cover x 24



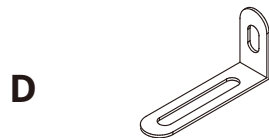
Screw x 2



Wooden Dowel x 24



Wooden Dowel x 6

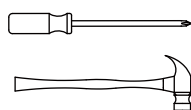


Safety Device x 1



Screw x 32

**TOOLS NEEDED**  
(We don't provide)

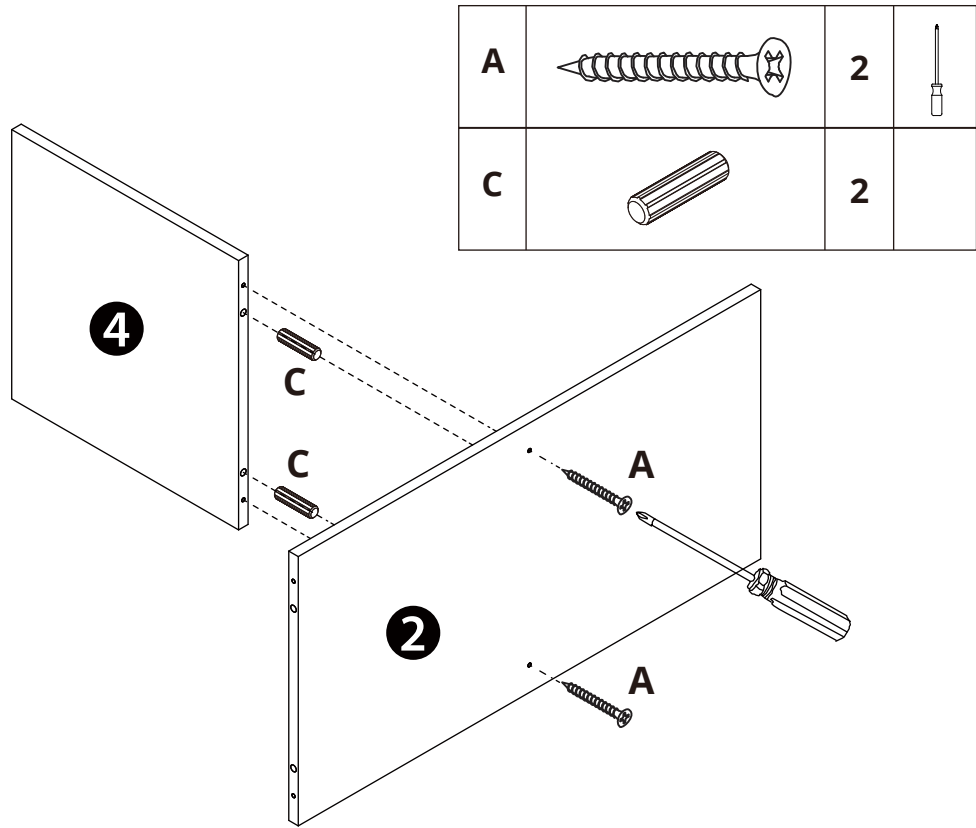


Phillips Screwdriver x 1

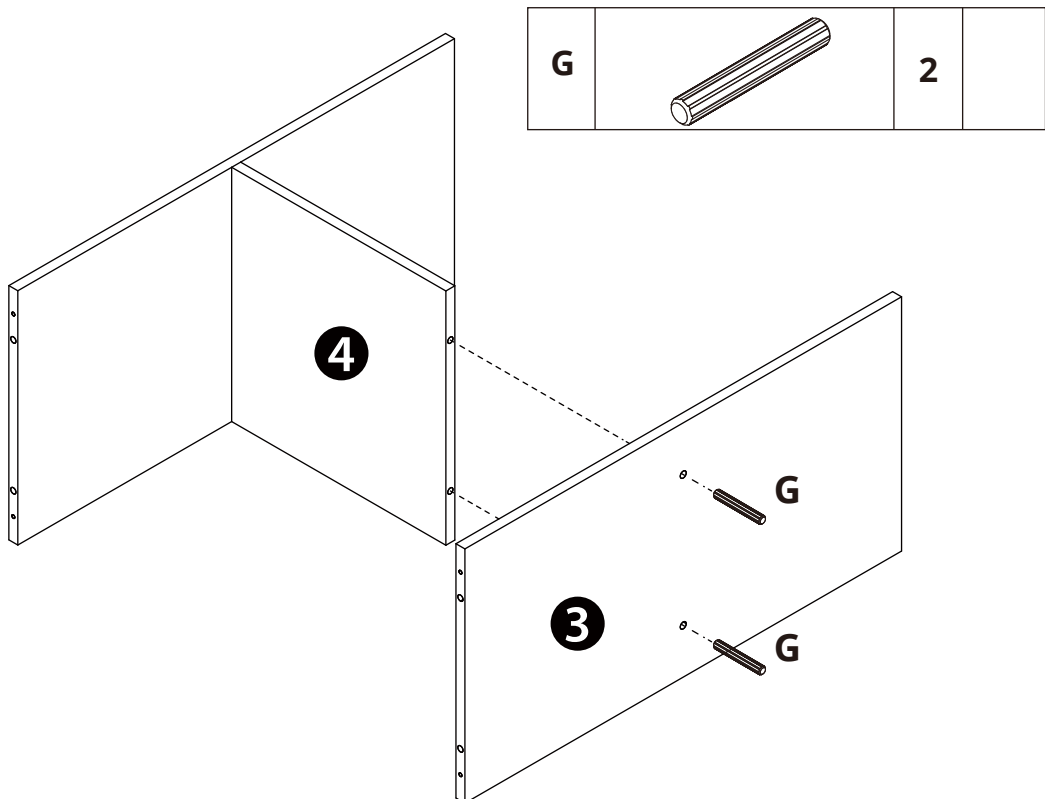
Hammer x 1

# ASSEMBLY INSTRUCTIONS

## Step 1



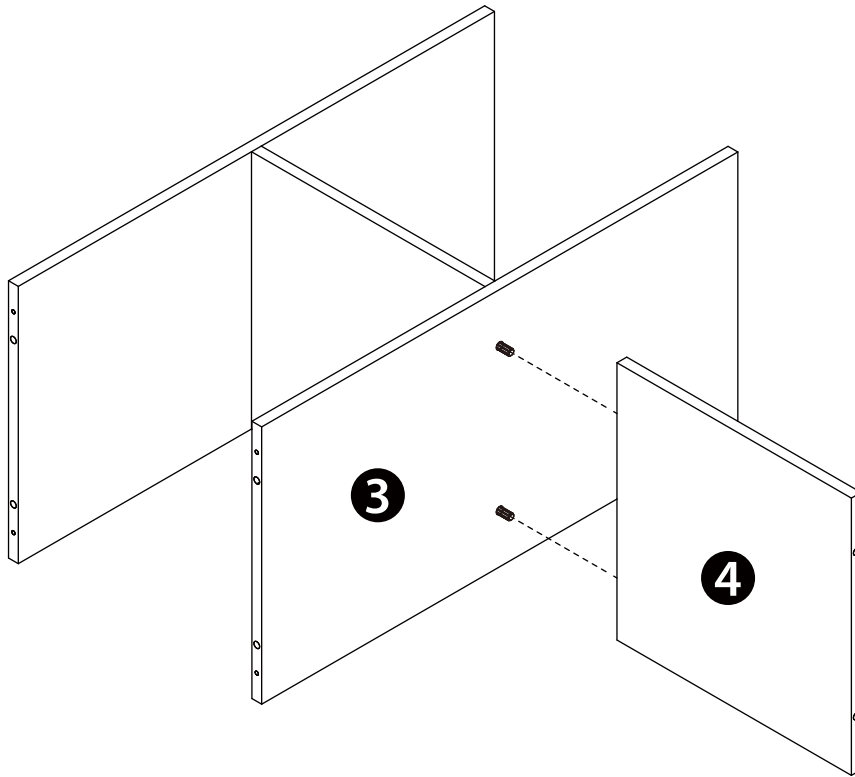
## Step 2



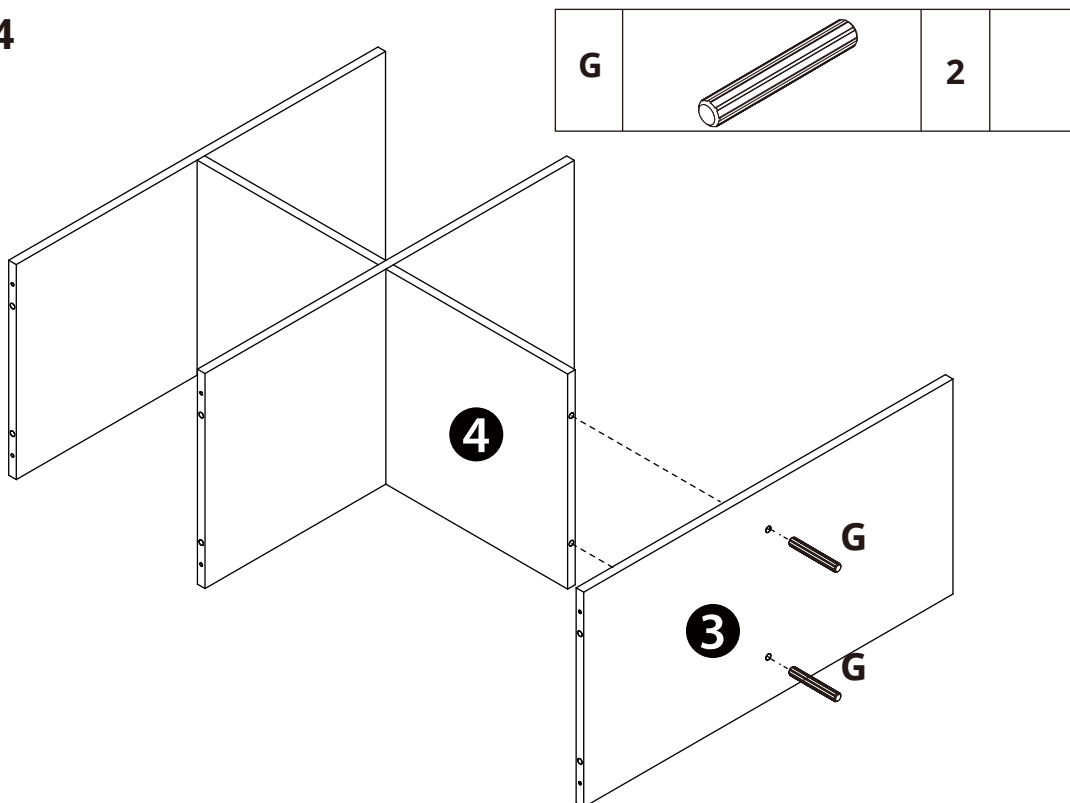
# ASSEMBLY INSTRUCTIONS

---

## Step 3



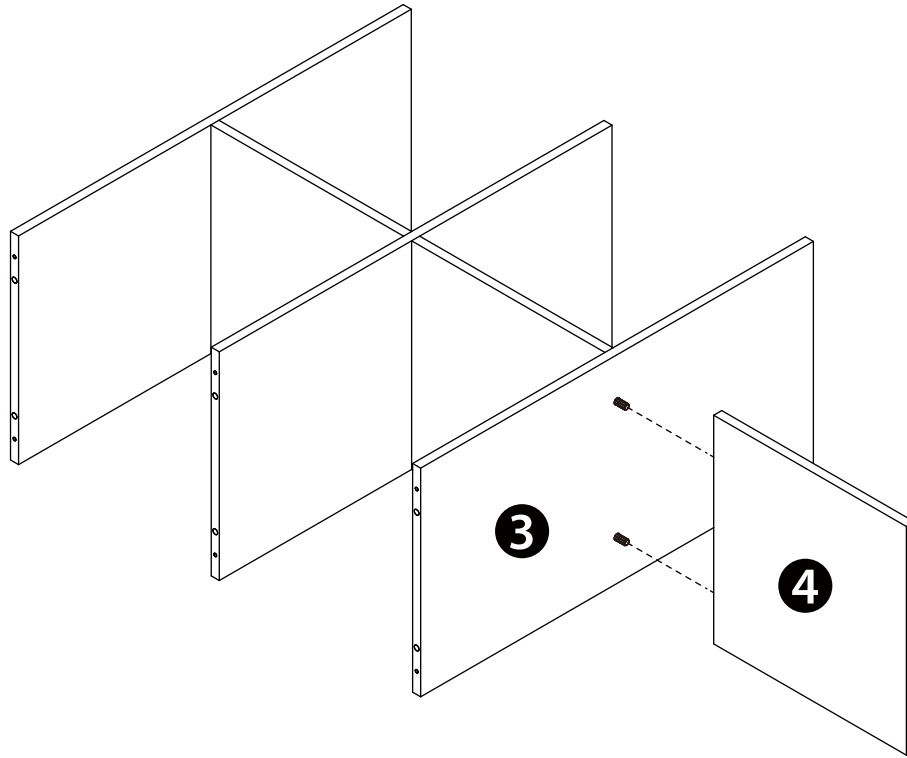
## Step 4



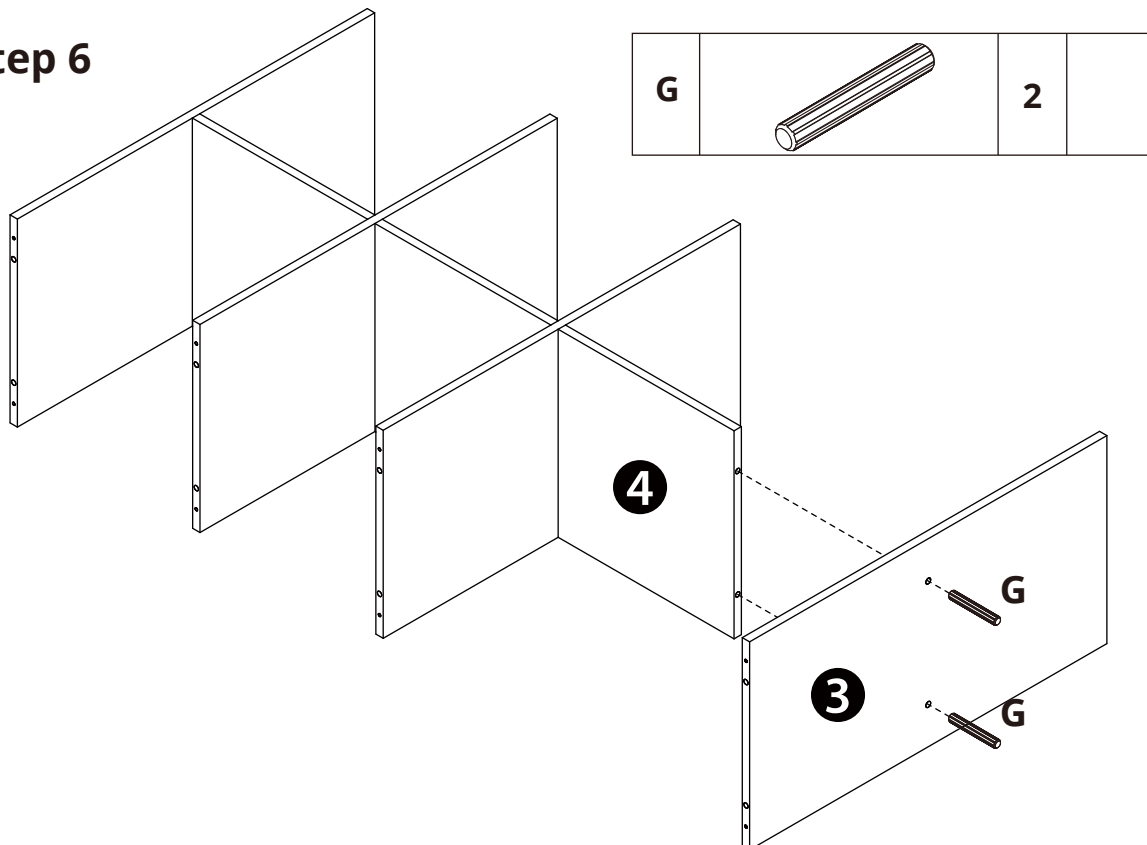
# ASSEMBLY INSTRUCTIONS

---

## Step 5



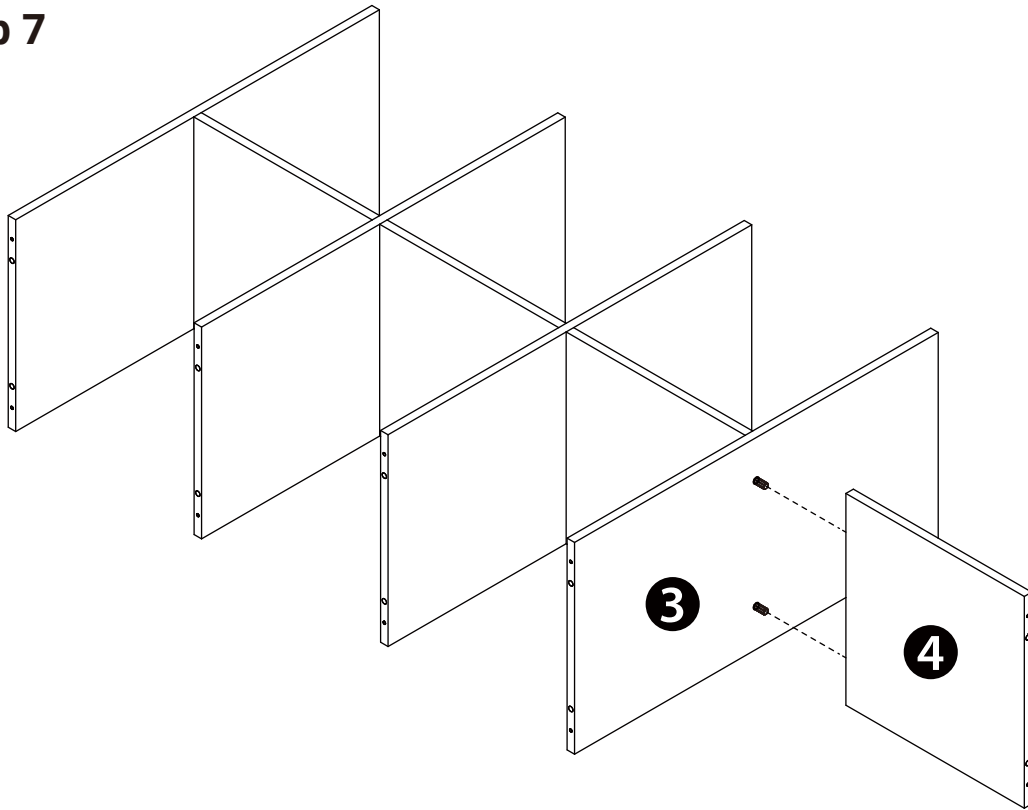
## Step 6



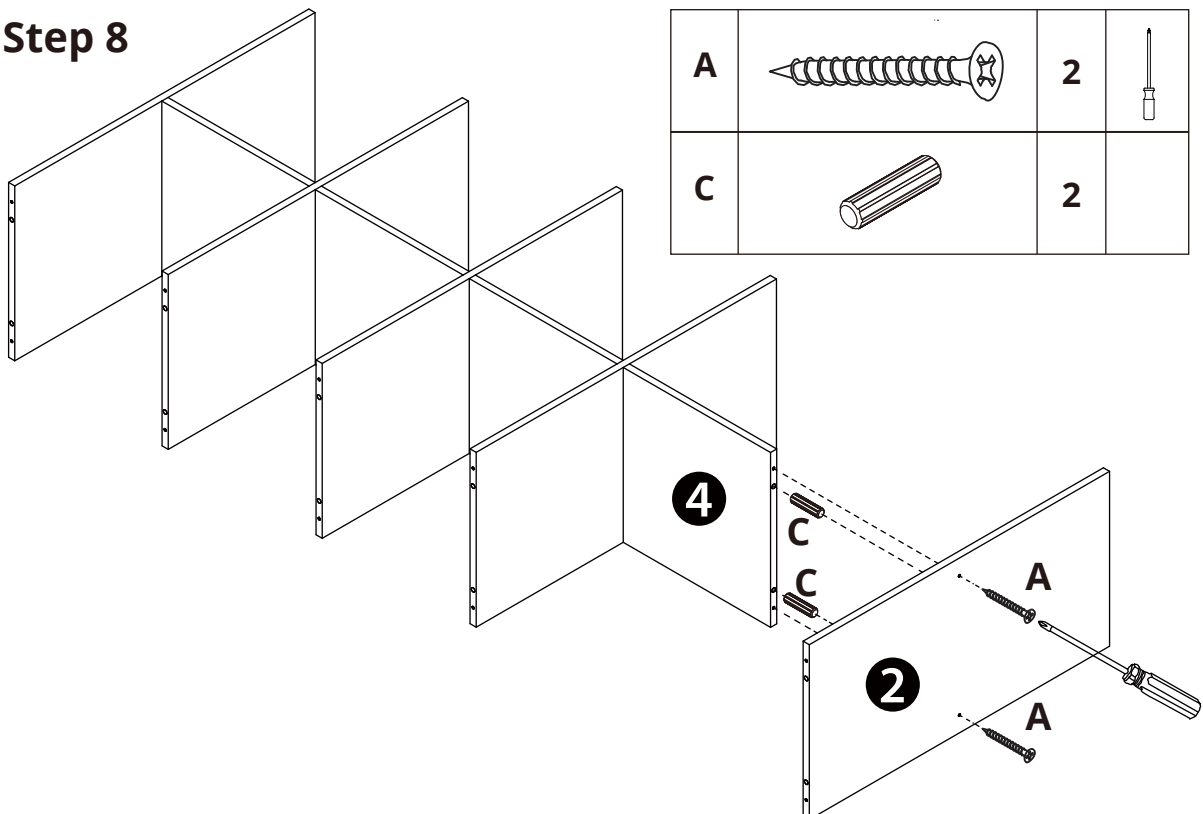
# ASSEMBLY INSTRUCTIONS

---

## Step 7

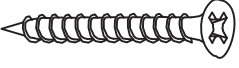

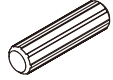


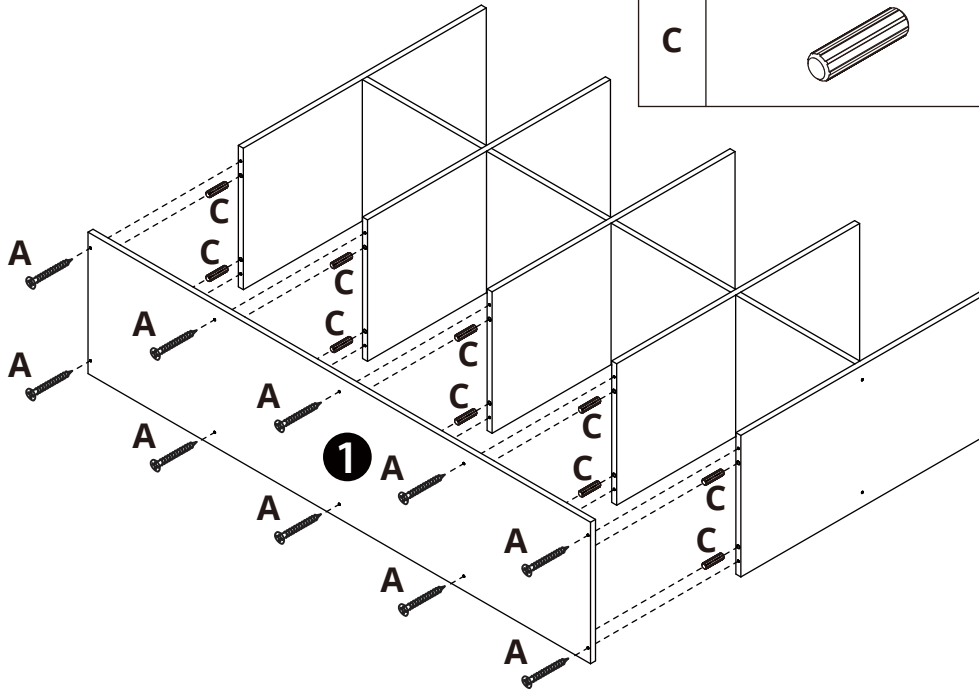
## Step 8



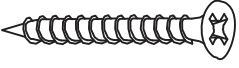

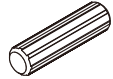
# ASSEMBLY INSTRUCTIONS

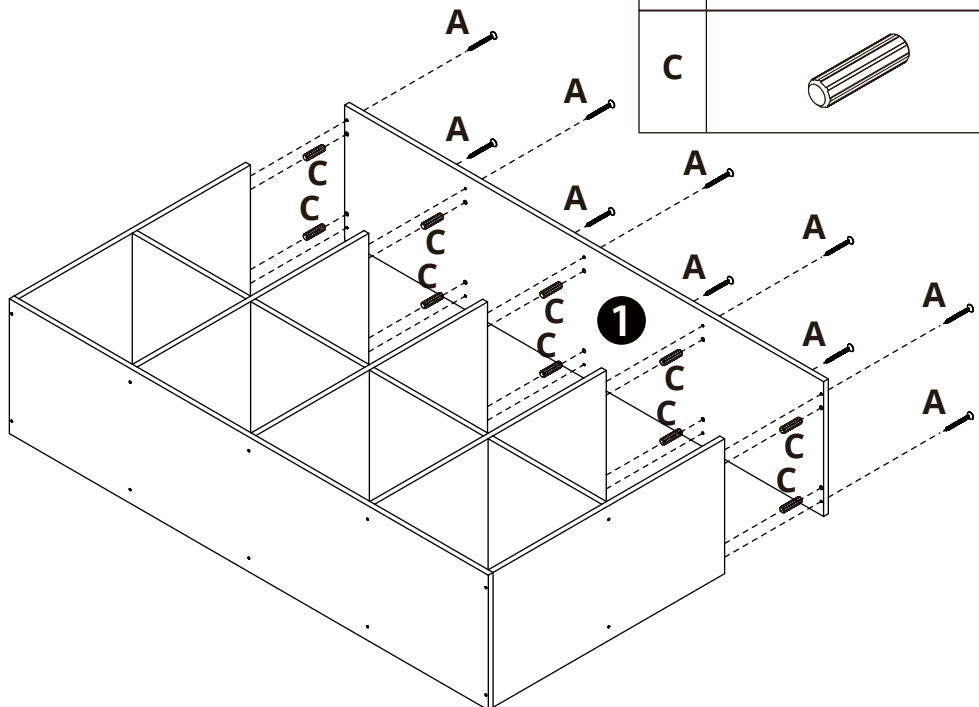
## Step 9

A		10	
C		10	



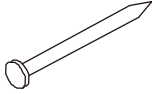

## Step 10

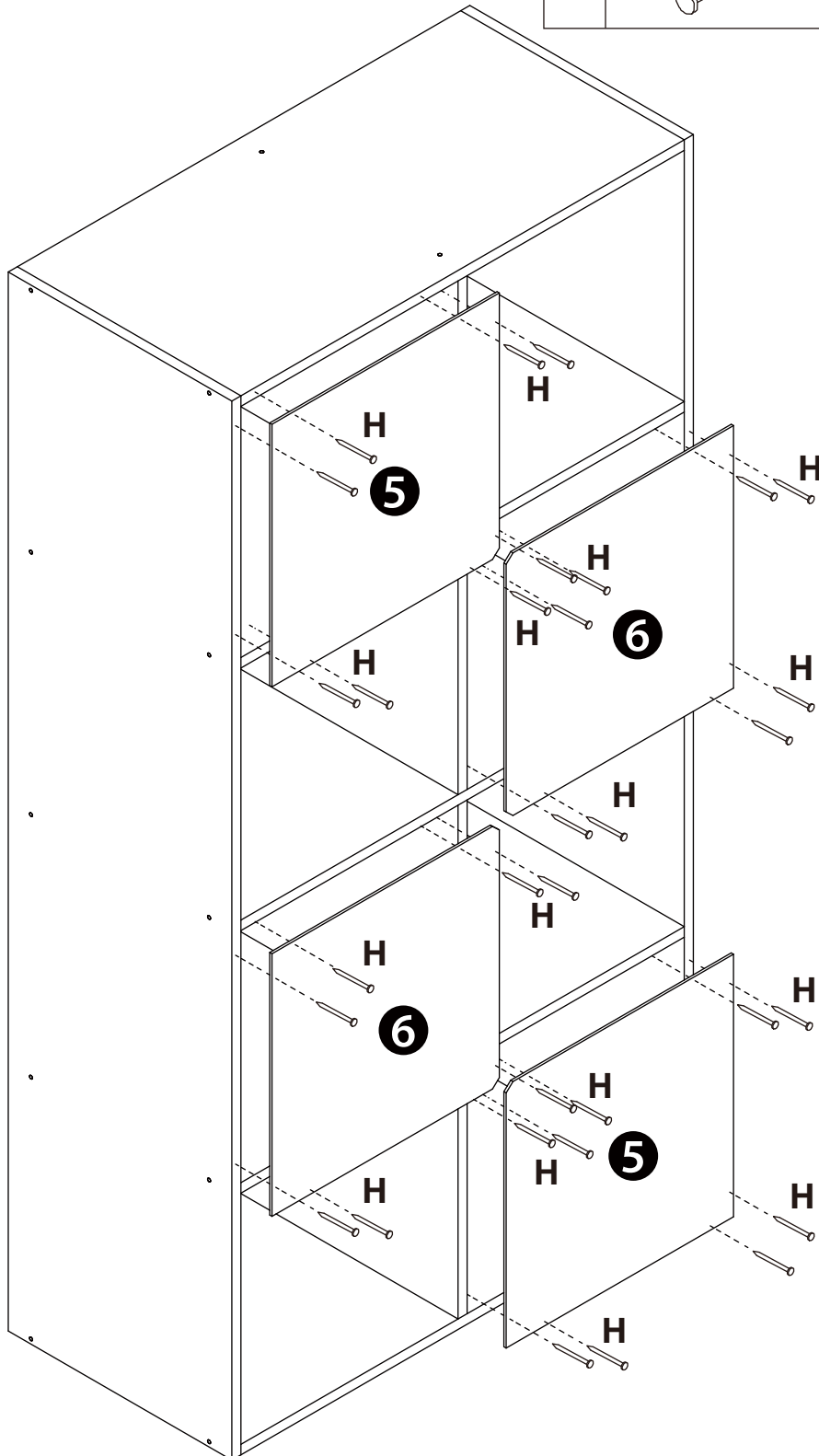
A		10	
C		10	



# ASSEMBLY INSTRUCTIONS

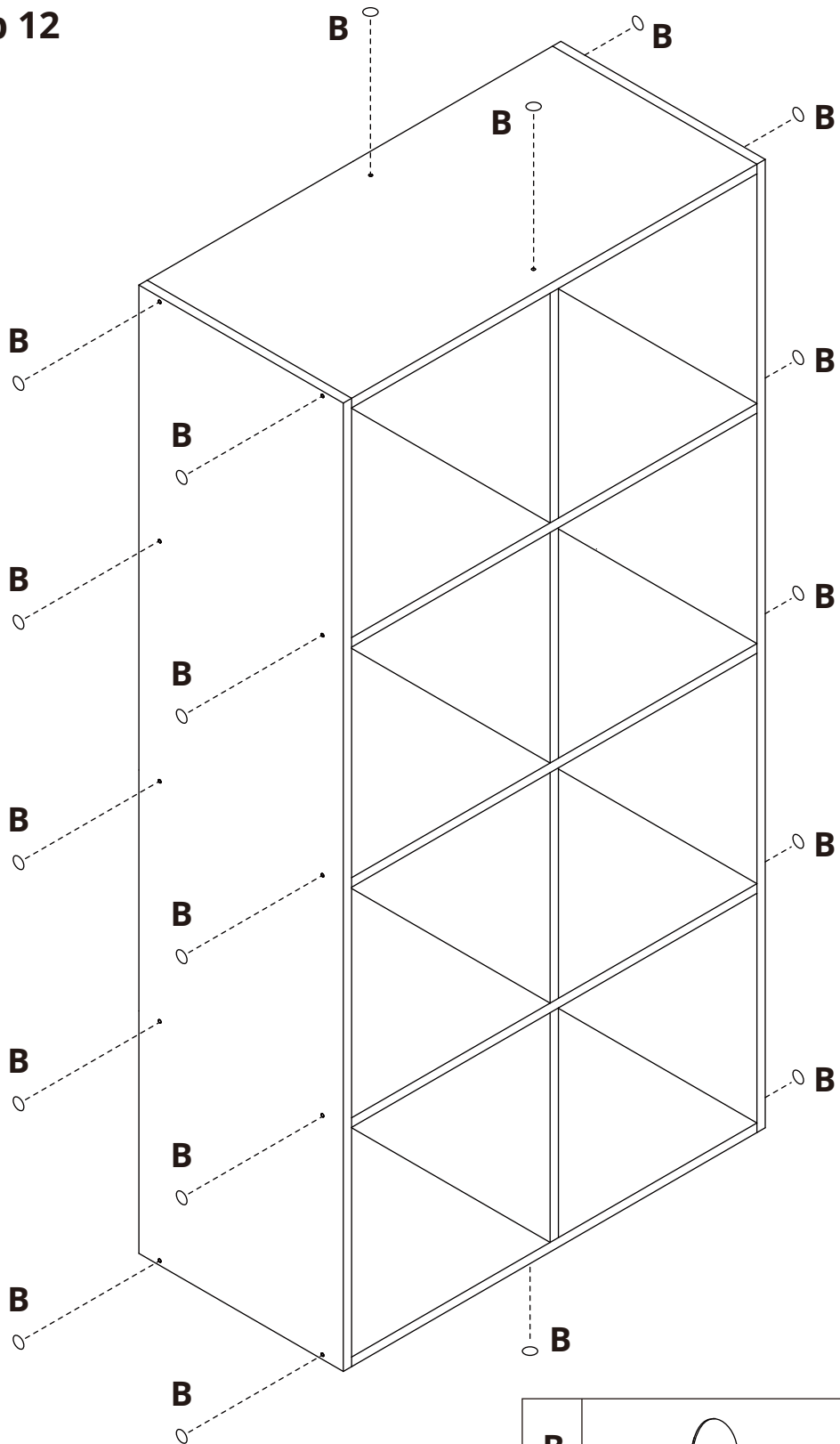
## Step 11


H		32	
---	---	----	---



# ASSEMBLY INSTRUCTIONS




Step 12

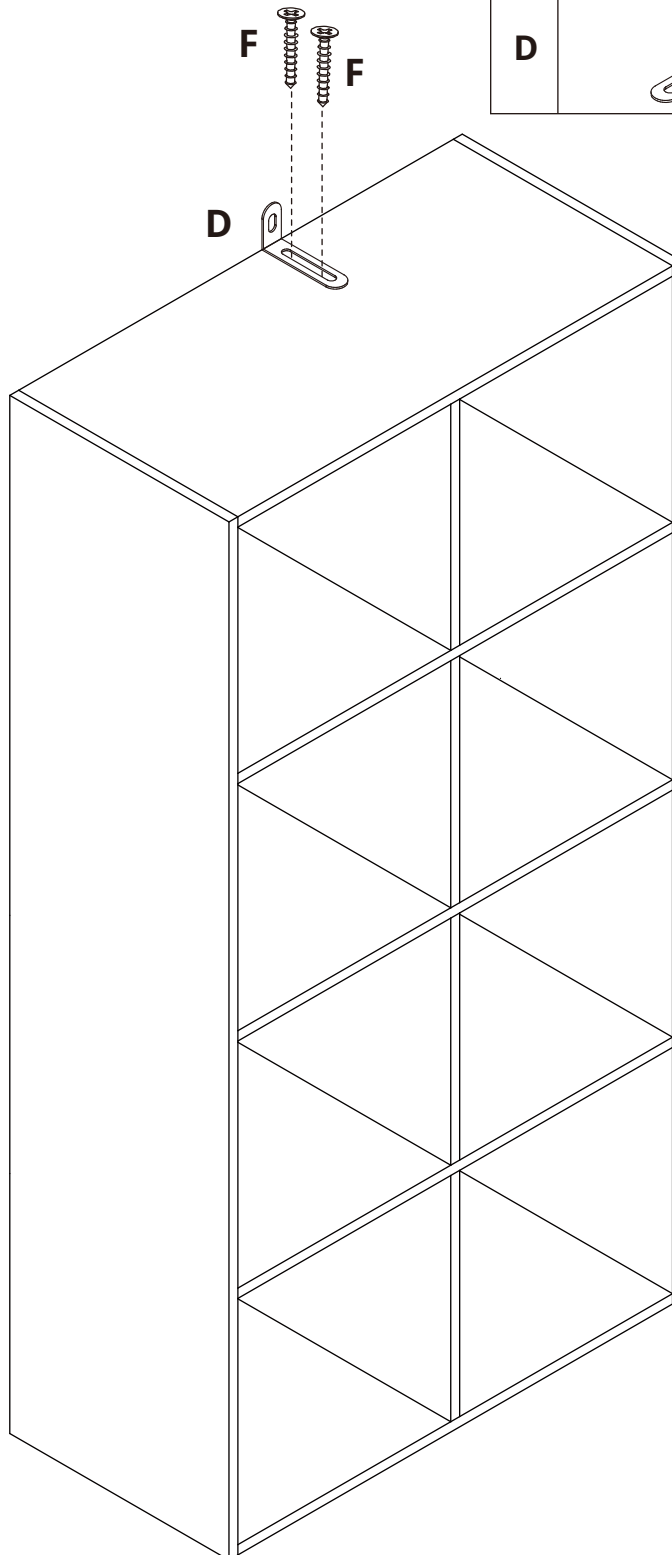


<b>B</b>		<b>24</b>	
----------	---	-----------	--

# ASSEMBLY INSTRUCTIONS

## Step 12

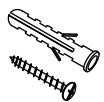

<b>F</b>		<b>2</b>	
<b>D</b>		<b>1</b>	

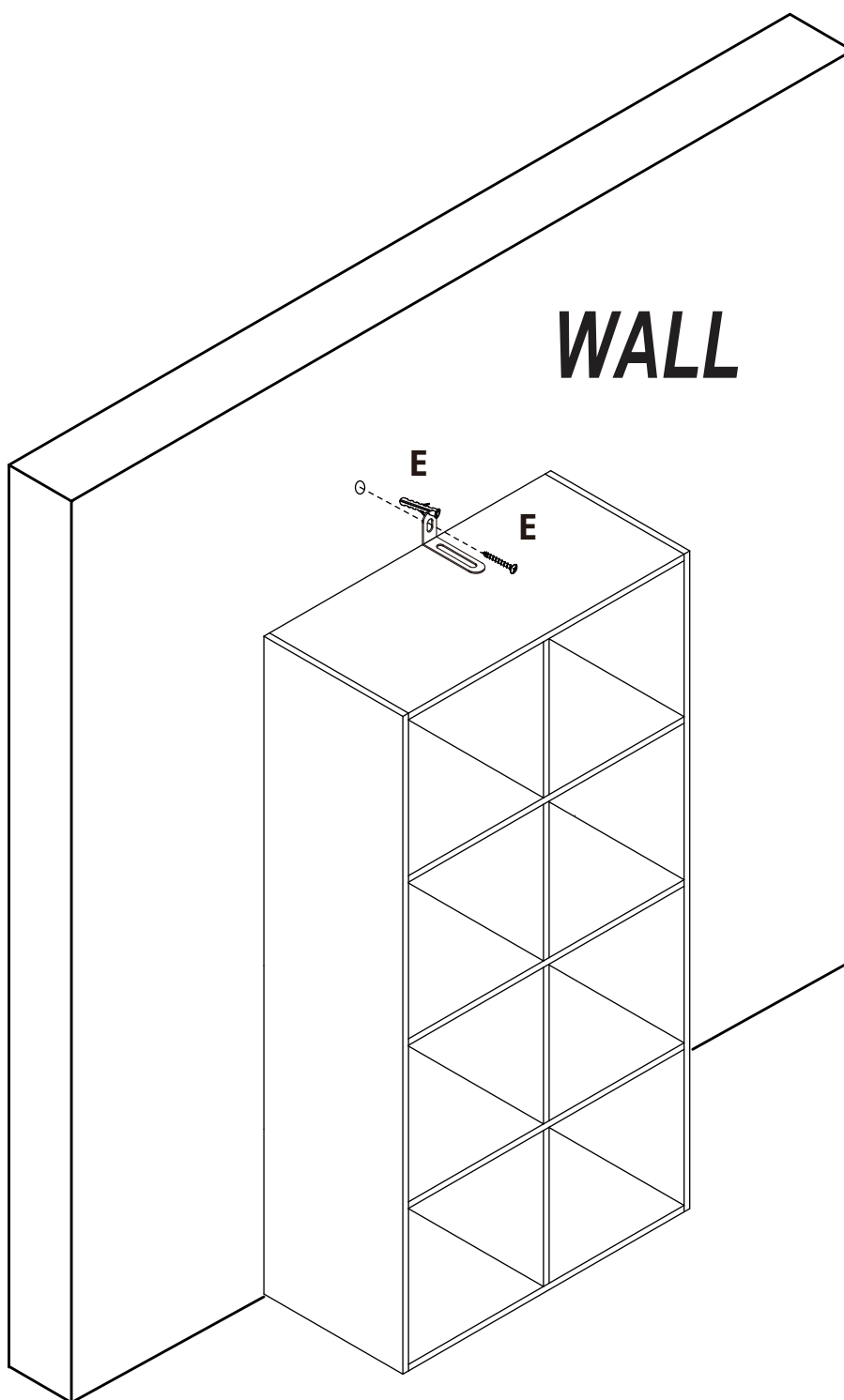


# ASSEMBLY INSTRUCTIONS

---

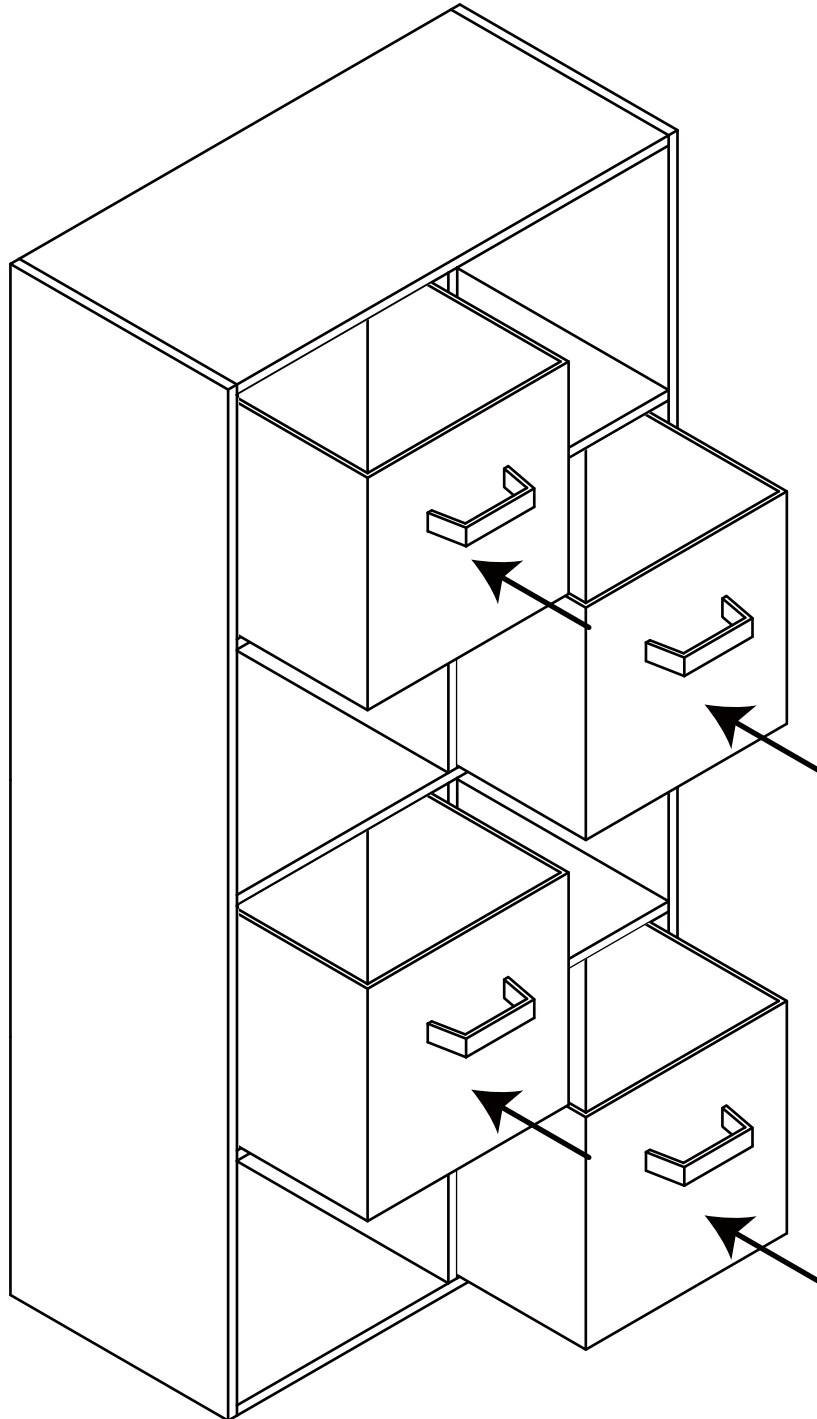
## Step 11

E		1	
---	---	---	---



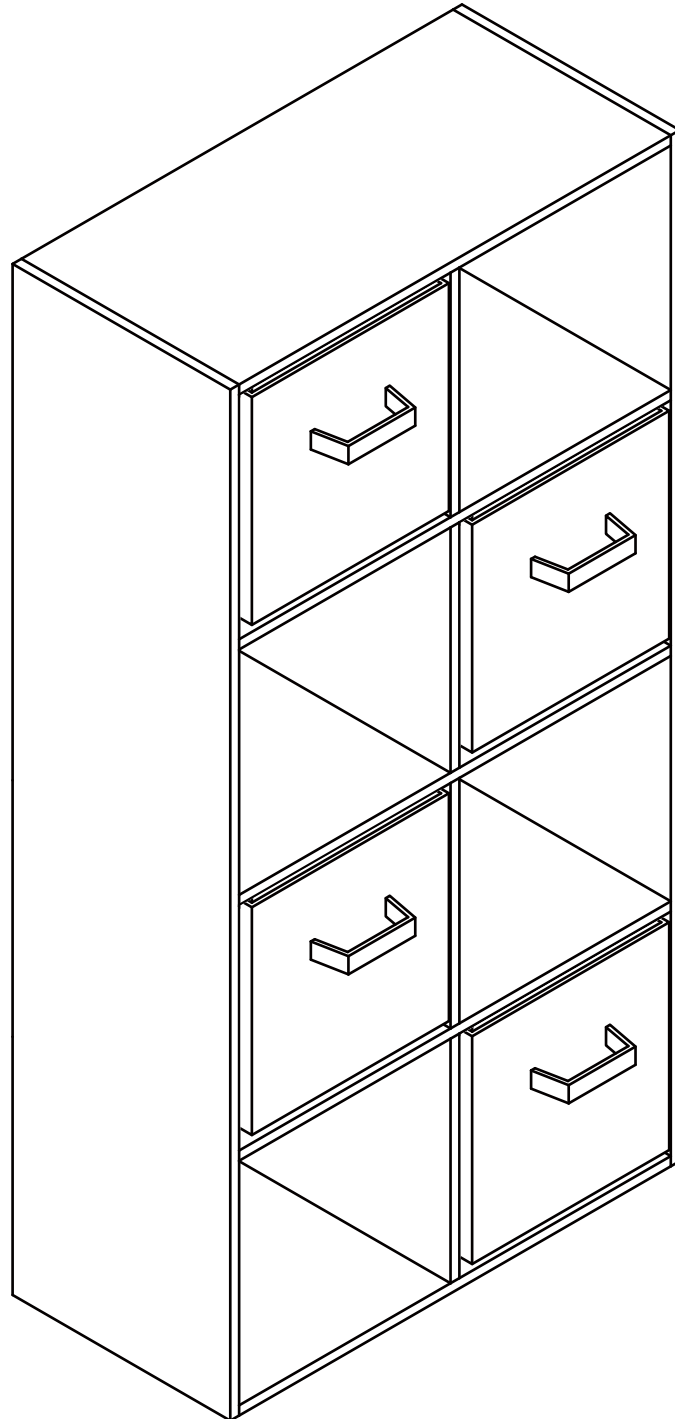
# ASSEMBLY INSTRUCTIONS

---



# ASSEMBLY INSTRUCTIONS

---



*Congratulations!  
Now you have finished assembling the product.*