



Rolling Ladder Hardware



Rolling Library Ladders Made in the USA!

1A Select an Upper and Lower Hardware Kit

Each kit includes:

- 2 Top Rollers
- 2 Bottom Wheels
- All Necessary Fasteners



Standard Wheel with Standard Roller Kits

SKU	Ladder Width	Color	Kit
QG.200.02	16"	Satin Nickel	
QG.200.03	16"	Hamm. Antique Brass	
QG.200.07	16"	Oil Rubbed Bronze	
QG.200.08	16"	Black	
QG.200-20.02	20"	Satin Nickel	
QG.200-20.03	20"	Hamm. Antique Brass	
QG.200-20.07	20"	Oil Rubbed Bronze	
QG.200-20.08	20"	Black	



Standard Wheel with Rolling Hook Kits

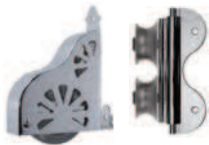
SKU	Ladder Width	Color	Kit
QG.500.02	16"	Satin Nickel	
QG.500.03	16"	Hamm. Antique Brass	
QG.500.07	16"	Oil Rubbed Bronze	
QG.500.08	16"	Black	
QG.500-20.02	20"	Satin Nickel	
QG.500-20.03	20"	Hamm. Antique Brass	
QG.500-20.07	20"	Oil Rubbed Bronze	
QG.500-20.08	20"	Black	

**Rolling Hook kits cannot be used with curved rails*



Standard Wheel with Swivel Roller Kits

SKU	Ladder Width	Color	Kit
QG.700.02	16"	Satin Nickel	
QG.700.03	16"	Hamm. Antique Brass	
QG.700.07	16"	Oil Rubbed Bronze	
QG.700.08	16"	Black	
QG.700-20.02	20"	Satin Nickel	
QG.700-20.03	20"	Hamm. Antique Brass	
QG.700-20.07	20"	Oil Rubbed Bronze	
QG.700-20.08	20"	Black	



Brake Wheel with Standard Roller Kits

NOW AVAILABLE IN CHROME!

SKU	Ladder Width	Color	Kit
QG.210.02	16"	Satin Nickel	
QG.210.03	16"	Hamm. Antique Brass	
QG.210.04	16"	Chrome	
QG.210.07	16"	Oil Rubbed Bronze	
QG.210.08	16"	Black	
QG.210-20.02	20"	Satin Nickel	
QG.210-20.03	20"	Hamm. Antique Brass	
QG.210-20.04	20"	Chrome	
QG.210-20.07	20"	Oil Rubbed Bronze	
QG.210-20.08	20"	Black	



Brake Wheel with Rolling Hook Kits

NOW AVAILABLE IN CHROME!

SKU	Ladder Width	Color	Kit
QG.510.02	16"	Satin Nickel	
QG.510.03	16"	Hamm. Antique Brass	
QG.510.04	16"	Chrome	
QG.510.07	16"	Oil Rubbed Bronze	
QG.510.08	16"	Black	
QG.510-20.02	20"	Satin Nickel	
QG.510-20.03	20"	Hamm. Antique Brass	
QG.510-20.04	20"	Chrome	
QG.510-20.07	20"	Oil Rubbed Bronze	
QG.510-20.08	20"	Black	



Brake Wheel with Swivel Roller Kits

SKU	Ladder Width	Color	Kit
QG.710.02	16"	Satin Nickel	
QG.710.03	16"	Hamm. Antique Brass	
QG.710.07	16"	Oil Rubbed Bronze	
QG.710.08	16"	Black	
QG.710-20.02	20"	Satin Nickel	
QG.710-20.03	20"	Hamm. Antique Brass	
QG.710-20.07	20"	Oil Rubbed Bronze	
QG.710-20.08	20"	Black	



Contemporary Wheel with Standard Roller Kits

SKU	Ladder Width	Color	Kit
QG.220.02	16"	Satin Nickel	
QG.220.03	16"	Hamm. Antique Brass	
QG.220.07	16"	Oil Rubbed Bronze	
QG.220.08	16"	Black	
QG.220-20.02	20"	Satin Nickel	
QG.220-20.03	20"	Hamm. Antique Brass	
QG.220-20.07	20"	Oil Rubbed Bronze	
QG.220-20.08	20"	Black	



Contemporary Wheel with Rolling Hook Kits

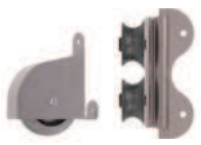
SKU	Ladder Width	Color	Kit
QG.520.02	16"	Satin Nickel	
QG.520.03	16"	Hamm. Antique Brass	
QG.520.07	16"	Oil Rubbed Bronze	
QG.520.08	16"	Black	
QG.520-20.02	20"	Satin Nickel	
QG.520-20.03	20"	Hamm. Antique Brass	
QG.520-20.07	20"	Oil Rubbed Bronze	
QG.520-20.08	20"	Black	

**Rolling Hook kits cannot be used with curved rails*



Contemporary Wheel with Swivel Roller Kits

SKU	Ladder Width	Color	Kit
QG.720.02	16"	Satin Nickel	
QG.720.03	16"	Hamm. Antique Brass	
QG.720.07	16"	Oil Rubbed Bronze	
QG.720.08	16"	Black	
QG.720-20.02	20"	Satin Nickel	
QG.720-20.03	20"	Hamm. Antique Brass	
QG.720-20.07	20"	Oil Rubbed Bronze	
QG.720-20.08	20"	Black	



Contemporary Brake Wheel with Standard Roller Kits

SKU	Ladder Width	Color	Kit
QG.240.02	16"	Satin Nickel	
QG.240.07	16"	Oil Rubbed Bronze	
QG.240.08	16"	Black	
QG.240-20.02	20"	Satin Nickel	
QG.240-20.07	20"	Oil Rubbed Bronze	
QG.240-20.08	20"	Black	



Contemporary Brake Wheel with Rolling Hook Kits

SKU	Ladder Width	Color	Kit
QG.540.02	16"	Satin Nickel	
QG.540.07	16"	Oil Rubbed Bronze	
QG.540.08	16"	Black	
QG.540-20.02	20"	Satin Nickel	
QG.540-20.07	20"	Oil Rubbed Bronze	
QG.540-20.08	20"	Black	



Contemporary Brake Wheel with Swivel Roller Kits

SKU	Ladder Width	Color	Kit
QG.740.02	16"	Satin Nickel	
QG.740.07	16"	Oil Rubbed Bronze	
QG.740.08	16"	Black	
QG.740-20.02	20"	Satin Nickel	
QG.740-20.07	20"	Oil Rubbed Bronze	
QG.740-20.08	20"	Black	

1A Select an Upper and Lower Hardware Kit (Continued)

We heard from many customers who wanted a movable library ladder that does not roll, so we designed the single adjustable and the double ladder hooks, as well as rubber non-skid feet. This new hardware allows you to have the movable (but non-rolling) ladder that's perfect for your unique needs!



Non-Skid Foot with Single Adjustable Hook Kits

Comes with 7 step supports (enough for 8' ladder).

SKU	Ladder Width	Color	Kit
QG.330.02	16"	Satin Nickel	
QG.330.07	16"	Oil Rub. Bronze	
QG.330.08	16"	Black	
QG.330-20.02	20"	Satin Nickel	
QG.330-20.07	20"	Oil Rub. Bronze	
QG.330-20.08	20"	Black	



Non-Skid Foot with Double Hook Kits

Comes with 7 step supports (enough for 8' ladder).

SKU	Ladder Width	Color	Kit
QG.130.02	16"	Satin Nickel	
QG.130.07	16"	Oil Rub. Bronze	
QG.130.08	16"	Black	
QG.130-20.02	20"	Satin Nickel	
QG.130-20.07	20"	Oil Rub. Bronze	
QG.130-20.08	20"	Black	

1B Or Select Individual Upper and Lower Hardware Components

If you would prefer to choose individual ladder components instead of an entire kit, go right ahead! Keep in mind that you will need to purchase individual support rods on page 9.



Standard Top Roller Guide SOLD INDIVIDUALLY

- [LL.TRGUIDE.02](#) Satin Nickel
- [LL.TRGUIDE.03](#) Ham. Antique Brass
- [LL.TRGUIDE.04](#) Chrome
- [LL.TRGUIDE.07](#) Oil Rubbed Bronze
- [LL.TRGUIDE.08](#) Black



Rolling Hook Top Guide SOLD INDIVIDUALLY

- [LL.RHGUIDE.02](#) Satin Nickel
- [LL.RHGUIDE.03](#) Ham. Antique Brass
- [LL.RHGUIDE.04](#) Chrome
- [LL.RHGUIDE.07](#) Oil Rubbed Bronze
- [LL.RHGUIDE.08](#) Black



Swivel Top Roller Guide SOLD INDIVIDUALLY

- [LL.SWGUIDE.02](#) Satin Nickel
- [LL.SWGUIDE.03](#) Ham. Antique Brass
- [LL.SWGUIDE.07](#) Oil Rubbed Bronze
- [LL.SWGUIDE.08](#) Black



Double Hook Top Guide SOLD INDIVIDUALLY

- [LL.DHGUIDE.02](#) Satin Nickel
- [LL.DHGUIDE.07](#) Oil Rubbed Bronze
- [LL.DHGUIDE.08](#) Black



Single Adjustable Hook Top Guide SOLD INDIVIDUALLY

- [LL.THGUIDE.02](#) Satin Nickel
- [LL.THGUIDE.03](#) Ham. Antique Brass
- [LL.THGUIDE.07](#) Oil Rubbed Bronze
- [LL.THGUIDE.08](#) Black



Brake Ladder Wheel Assembly SOLD INDIVIDUALLY

- [LL.WHLASSBBK.02](#) Satin Nickel
- [LL.WHLASSBBK.03](#) Hammered Antique Brass
- [LL.WHLASSBBK.04](#) Chrome
- [LL.WHLASSBBK.07](#) Oil Rubbed Bronze
- [LL.WHLASSBBK.08](#) Black



Contemporary Ladder Wheel Assembly SOLD INDIVIDUALLY

- [LL.WHEELASSB01.02](#) Satin Nickel
- [LL.WHEELASSB01.03](#) Hamm. Antique Brass
- [LL.WHEELASSB01.07](#) Oil Rubbed Bronze
- [LL.WHEELASSB01.08](#) Black



Standard Ladder Wheel Assembly SOLD INDIVIDUALLY

- [LL.WHEELASSB.02](#) Satin Nickel
- [LL.WHEELASSB.03](#) Hammered Antique Brass
- [LL.WHEELASSB.07](#) Oil Rubbed Bronze
- [LL.WHEELASSB.08](#) Black



Contemporary Ladder Brake Wheel Assembly SOLD INDIVIDUALLY

- [LL.WHEELASSBBK01.02](#) Satin Nickel
- [LL.WHEELASSBBK01.07](#) Oil Rubbed Bronze
- [LL.WHEELASSBBK01.08](#) Black

Top Roller Styles:



Standard Roller

Has a top and a bottom wheel, keeping the ladder fixed onto the rail.



Rolling Hook

Has only one wheel on the top, so the ladder can be removed easily.



Swivel Roller

Features a built-in swivel, which allows the ladder to be used on curved rails.

Non-Rolling Styles:



Single Adjustable Hook

Has one hook on the top. The base is adjustable for easy storage.



Double Hook

The top hook is for when the ladder is in use, and bottom hook is for storing.

Finishes:



Satin Nickel



Oil Rubbed Bronze



Hammered Antique Brass*



Black



Chrome

* Pattern may vary



Non-Skid Foot Assembly SOLD INDIVIDUALLY

- [LL.NSFOOT.02](#) Satin Nickel
- [LL.NSFOOT.07](#) Oil Rubbed Bronze
- [LL.NSFOOT.08](#) Black

2 Select a Wood Ladder

Each ladder is unassembled, unfinished, sanded to 120-grit, flat-cut, has pre-drilled holes for fasteners, has dadoed sides for steps, and is ready to finish/assemble.



Standard 16" Ladder

Our original Rolling Library Ladder. Great for tight spaces.

SKU	Wood Species	Each
8' Ladder		
QG.6008.CH	Cherry	
QG.6008.MA	Maple	
QG.6008.RO	Red Oak	
9' Ladder		
QG.6009.CH	Cherry	
QG.6009.MA	Maple	
QG.6009.RO	Red Oak	
10' Ladder		
QG.6010.CH	Cherry	
QG.6010.MA	Maple	
QG.6010.RO	Red Oak	

Wide 20" Ladder

A wider ladder for added stability, space, and comfort.

SKU	Wood Species	Each
8' Ladder		
QG.6008-20.CH	Cherry	
QG.6008-20.MA	Maple	
QG.6008-20.RO	Red Oak	
9' Ladder		
QG.6009-20.CH	Cherry	
QG.6009-20.MA	Maple	
QG.6009-20.RO	Red Oak	
10' Ladder		
QG.6010-20.CH	Cherry	
QG.6010-20.MA	Maple	
QG.6010-20.RO	Red Oak	

Custom Wood Ladders

Do none of the above options quite fit your needs? Customize your own library ladder with the exact height and wood species you want! Includes top-turned rung.* Please allow for a 2-3 week lead time.

* Ladders above 8' requires the purchase of additional step supports.



Wood Species	Up to 8'	Up to 9'	Up to 10'	Up to 11'	Up to 12'	Up to 13'	Up to 14'
Alder (16")							
Alder (20")							
Birch-White (16")							
Birch-White (20")							
Cherry (16")							
Cherry (20")							
Hickory (16")							
Hickory (20")							
Maple (16")							
Maple (20")							
African Mahogany (16")							
African Mahogany (20")							
Oak-Red (16")							
Oak-Red (20")							
Oak-White* (16")							
Oak-White* (20")							

* Quarter Sawn

Other wood species available. Call for pricing and lead time.



Steam-Bent Solid Wood Hand Rails

Unfinished, sanded to 120-grit, and has pre-drilled assembly holes. Sold in pairs. Specify for Black or Satin Nickel fasteners (included).

SKU	Wood Species	Pair
QG.6309.CH	Cherry	
QG.6309.HC	Hickory	
QG.6309.MA	Maple	
QG.6309.RO	Red Oak	
QG.6309.WA	Walnut	
QG.6309.WO*	White Oak	

*Quarter Sawn



Additional Step Supports - for Custom Ladders and Ladders over 8'

These additional step support rods are only needed when ordering Quiet Glide ladders over 8' tall. If you're building your own ladder, get one support rod per step. Fasteners are included.

SKU	Finish	Width	Each
QG.620.02	Satin Nickel	16"	
QG.620-20.02	Satin Nickel	20"	
QG.620.04	Chrome	16"	
QG.620-20.04	Chrome	20"	
QG.620.08	Black	16"	
QG.620-20.08	Black	20"	



Top-Turned Rungs

When building your own ladder, these top-turned rungs are a nice addition. Already included with "in-stock" ladders.

SKU	Wood Species	Width	Each
QG.610.AD	Alder	16"	
QG.610-20.AD	Alder	20"	
QG.610.AS	Ash	16"	
QG.610-20.AS	Ash	20"	
QG.610.CH	Cherry	16"	
QG.610-20.CH	Cherry	20"	
QG.610.HC	Hickory	16"	
QG.610-20.HC	Hickory	20"	
QG.610.MG	Mahogany	16"	
QG.610-20.MG	Mahogany	20"	
QG.610.MA	Maple	16"	
QG.610-20.MA	Maple	20"	
QG.610.PN	Pine	16"	
QG.620.PN*	Pine	20"	
QG.610.RO	Red Oak	16"	
QG.620.RO*	Red Oak	20"	
QG.610.WA*	Walnut	16"	
QG.610.WA	Walnut	20"	
QG.610.WO*	White Oak	16"	
QG.610.WO	White Oak	20"	

*Quarter Sawn



Non-Skid Tread For Ladder Steps

Measures 3" x 13" with 1/4" radius corners. Should be installed after the ladder is finished.

SKU	Color	Each
QG.61	Clear	

3 Select Rail Components

Straight Rail - Three Different Lengths

SKU	Rail Length	Finish	Each
QG.4003.02	3'	Satin Nickel	
QG.4003.04	3'	Chrome	
QG.4003.07	3'	Oil Rubbed Bronze	
QG.4003.08	3'	Black	
QG.4004.02	4'	Satin Nickel	
QG.4004.03	4'	Hamm. Antique Brass	
QG.4004.04	4'	Chrome	
QG.4004.07	4'	Oil Rubbed Bronze	
QG.4004.08	4'	Black	
QG.4006.02	6'	Satin Nickel	
QG.4006.03	6'	Hamm. Antique Brass	
QG.4006.04	6'	Chrome	
QG.4006.07	6'	Oil Rubbed Bronze	
QG.4006.08	6'	Black	
QG.4008.02	8'	Satin Nickel	
QG.4008.03	8'	Hamm. Antique Brass	
QG.4008.07	8'	Oil Rubbed Bronze	

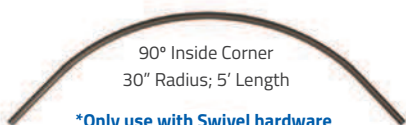
135-Degree Curved Rail*



*Not compatible with Rolling Hook hardware

SKU	Finish	Each
QG.40CRV135.02	Satin Nickel	
QG.40CRV135.03	Hammered Antique Brass	
QG.40CRV135.07	Oil Rubbed Bronze	
QG.40CRV135.08	Black	

90-Degree Curved Rail*



*Only use with Swivel hardware

*Not compatible with Rolling Hook hardware

SKU	Finish	Each
QG.40CRV.02	Satin Nickel	
QG.40CRV.03	Hammered Antique Brass	
QG.40CRV.07	Oil Rubbed Bronze	
QG.40CRV.08	Black	

90-Degree Curved Rail*



*Only use with Swivel hardware

*Not compatible with Rolling Hook hardware

SKU	Finish	Each
QG.40CRV16.02	Satin Nickel	
QG.40CRV16.03	Hamm. Antique Brass	
QG.40CRV16.07	Oil Rubbed Bronze	
QG.40CRV16.08	Black	

Splice Kit for Joining Round Rails Together



SKU	Size	Kit
QG.41	1/2" x 1/8"	bar

Thread Tap Accessory



Accessory used to make threads at the end of rails for end caps.

SKU	Size	Each
QG.TAP1420	1/4" x 20	tap

Standard End Cap Kit for Round Rails



Made out of solid steel. Each kit includes 2 caps (1 1/4" dia.) and 2 fastening bolts (1/4" #20 x 18mm)

SKU	Finish	Kit
QG.40.02	Satin Nickel	
QG.40.03*	Hammered Antique Brass*	
QG.40.04	Chrome	
QG.40.07	Oil Rubbed Bronze	
QG.40.08	Black	

*Pattern may vary

Ball End Cap Kit for Round Rails



Made out of aluminum. Ball cap measures 1 1/2" dia. and has a 1/4"-20 screw. Each kit includes 2 ball caps.

SKU	Finish	Kit
QG.401.02	Satin Nickel	
QG.401.03*	Hammered Antique Brass*	
QG.401.07	Oil Rubbed Bronze	
QG.401.08	Black	

*Pattern may vary

End Cover Kit for Chrome Rails



Made with solid steel and plated Chrome. For use when cutting chrome rails to conceal chipping. Each kit includes 2 caps and 2 fastening bolts (1/4" #20 x 18mm)

SKU	Finish	Kit
QG.403.04	Chrome	

Wall-Mounting Bracket for Round Rails

Choose brackets, based on the top roller choice you made (in Step 1). Sold as each. Screws are included.



Vertical Rolling/Swivel Bracket

For use with Standard Top Rollers and Swivel Rollers.

SKU	Finish	Each
QG.201.02	Satin Nickel	
QG.201.03	Hamm. Antique Brass	
QG.201.04	Chrome	
QG.201.07	Oil Rubbed Bronze	
QG.201.08	Black	



Vertical Rolling Hook Bracket

For use with Rolling Hook top rollers.

SKU	Finish	Each
QG.301.02	Satin Nickel	
QG.301.03	Hamm. Antique Brass	
QG.301.04	Chrome	
QG.301.07	Oil Rubbed Bronze	
QG.301.08	Black	



Horizontal Rolling/Swivel Bracket

For use with Standard Top Rollers and Swivel Rollers.

SKU	Finish	Each
QG.202.02	Satin Nickel	
QG.202.03	Hamm. Antique Brass	
QG.202.04	Chrome	
QG.202.07	Oil Rubbed Bronze	
QG.202.08	Black	



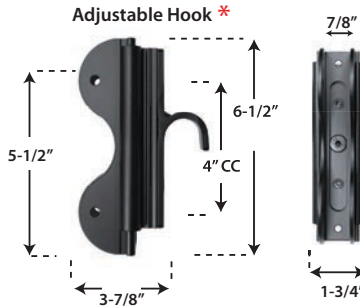
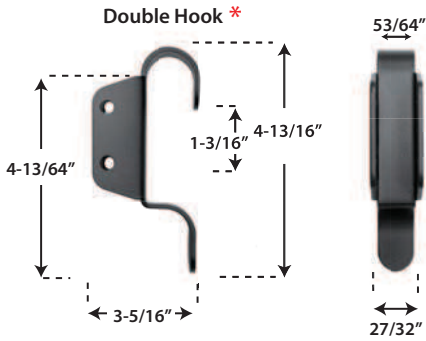
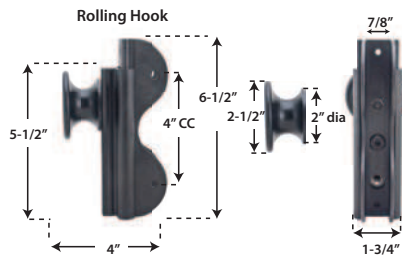
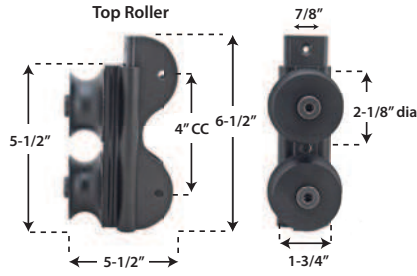
Horizontal Rolling Hook Bracket

For use with Rolling Hook top rollers.

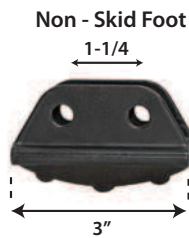
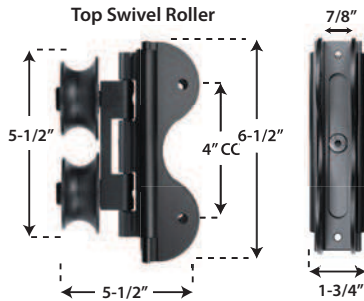
SKU	Finish	Each
QG.302.02	Satin Nickel	
QG.302.03	Hammered Antique Brass	
QG.302.04	Chrome	
QG.302.07	Oil Rubbed Bronze	
QG.302.08	Black	

These brackets are used to mount the round rail to the wall. You will need 1 bracket for every 32", or 4 brackets for an 8' rail. Wall brackets must be mounted securely into studs.

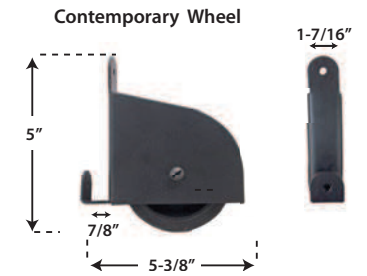
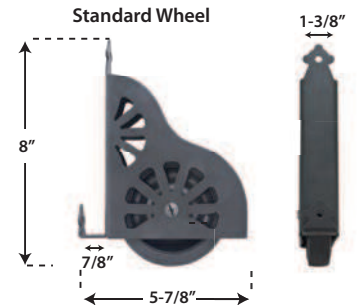
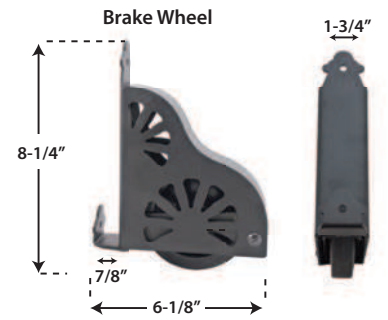
Top Ladder Hardware



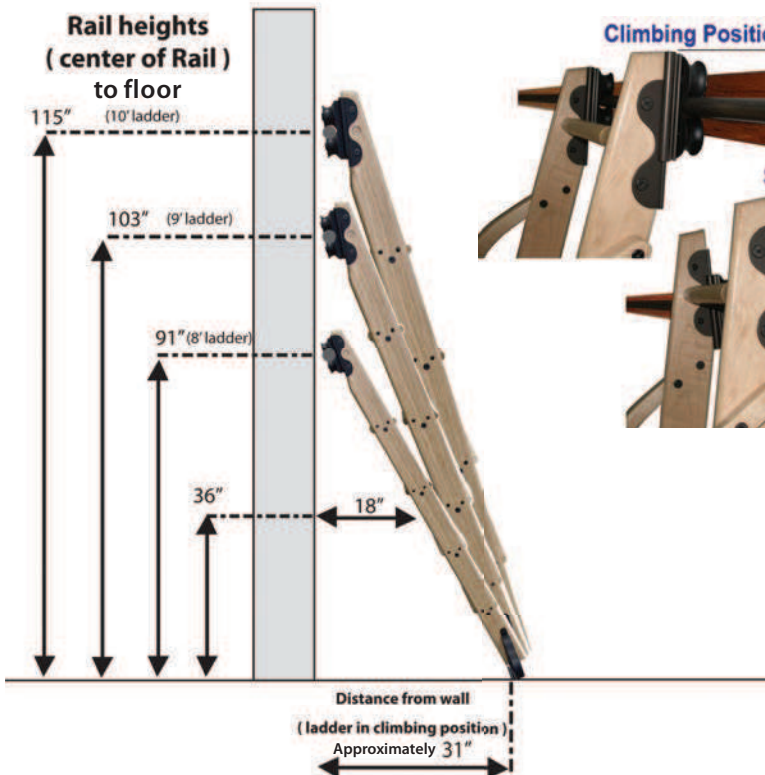
* Designed For Loft Applications



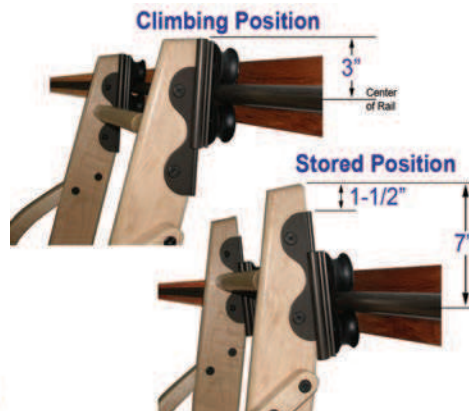
Bottom Ladder Hardware



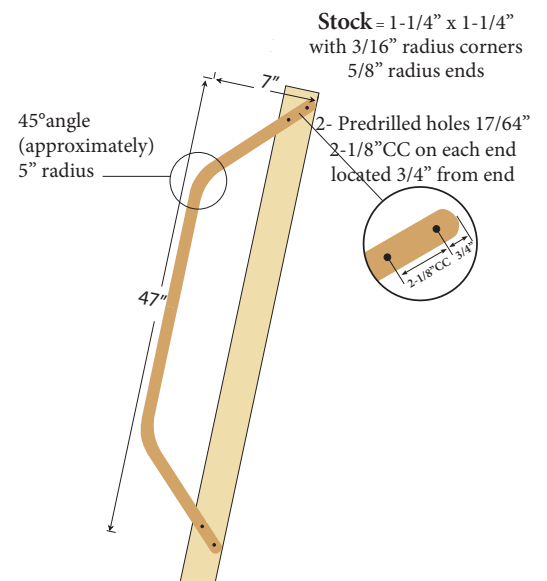
Rail Height and distance for 8', 9', 10' standard ladders



Top Ladder Clearance



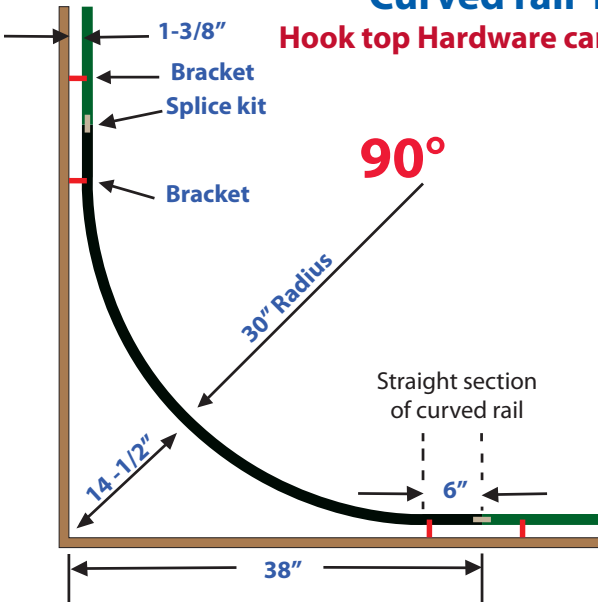
Hand Rail dimensions



Curved rail radius dimensions

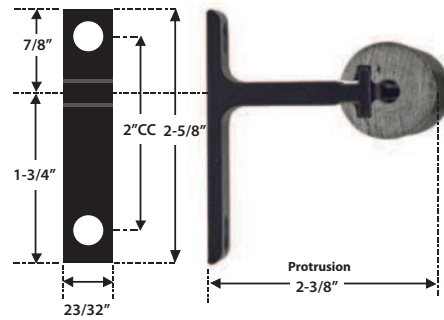
Hook top Hardware cannot be used with curved rails!

Rail Diameter = 1"

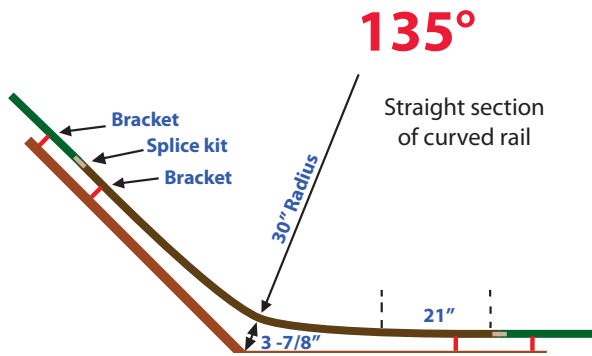
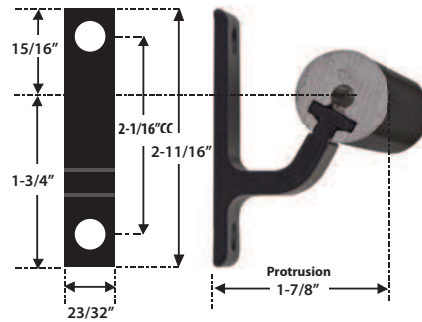


Vertical Rail Brackets

For Roller and Swivel Top Guides

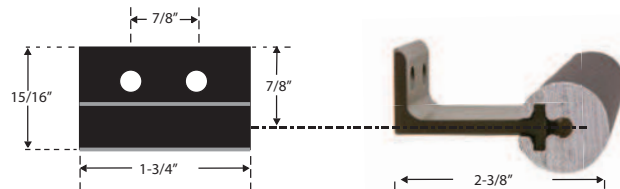


For Hook and Rolling Hook Top Guides

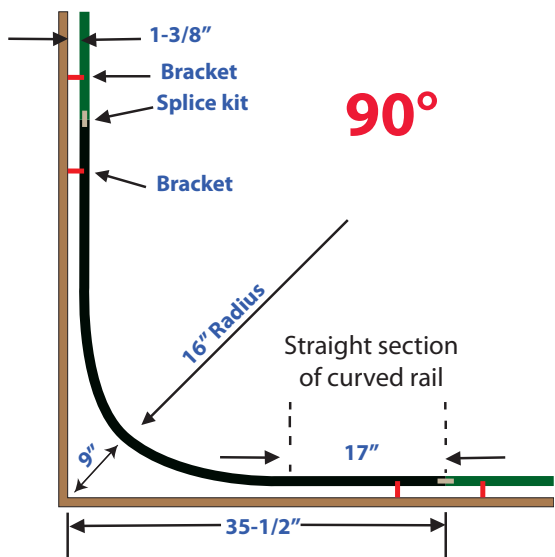
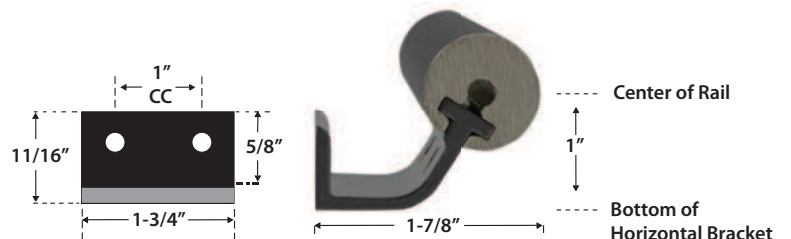


Horizontal Rail Brackets

For Roller and Swivel Top Guides



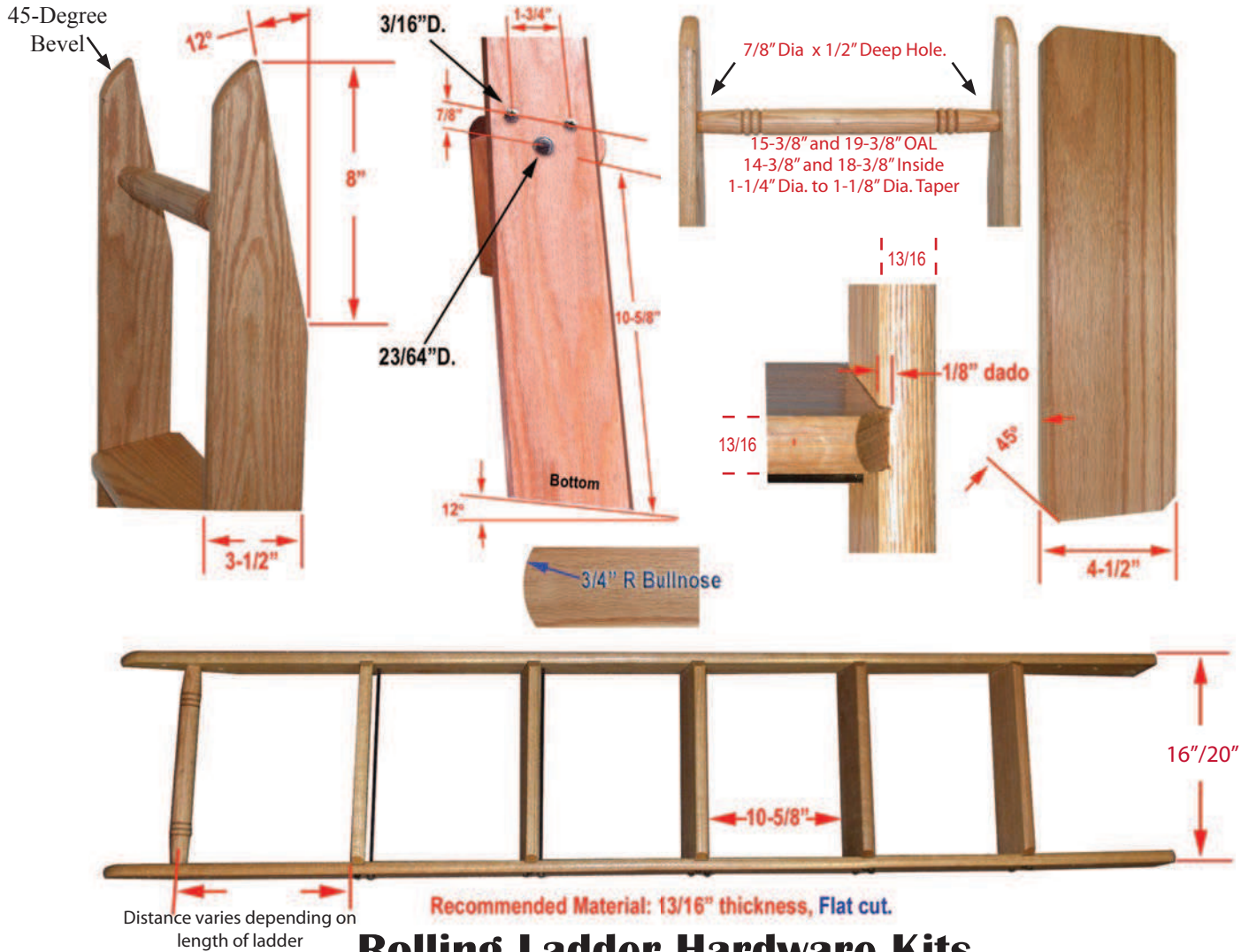
For Hook and Rolling Hook Top Guides





Make your own Ladder

To determine length of ladder: Measure from the center of rail to the floor, then *add five inches* to the measurement.



Rolling Ladder Hardware Kits

Patent Pending - Exclusive Patent on Rolling Hook Top Hardware



Rolling Hook upper guide



Roller upper guide

LIMITED LIFETIME WARRANTY

