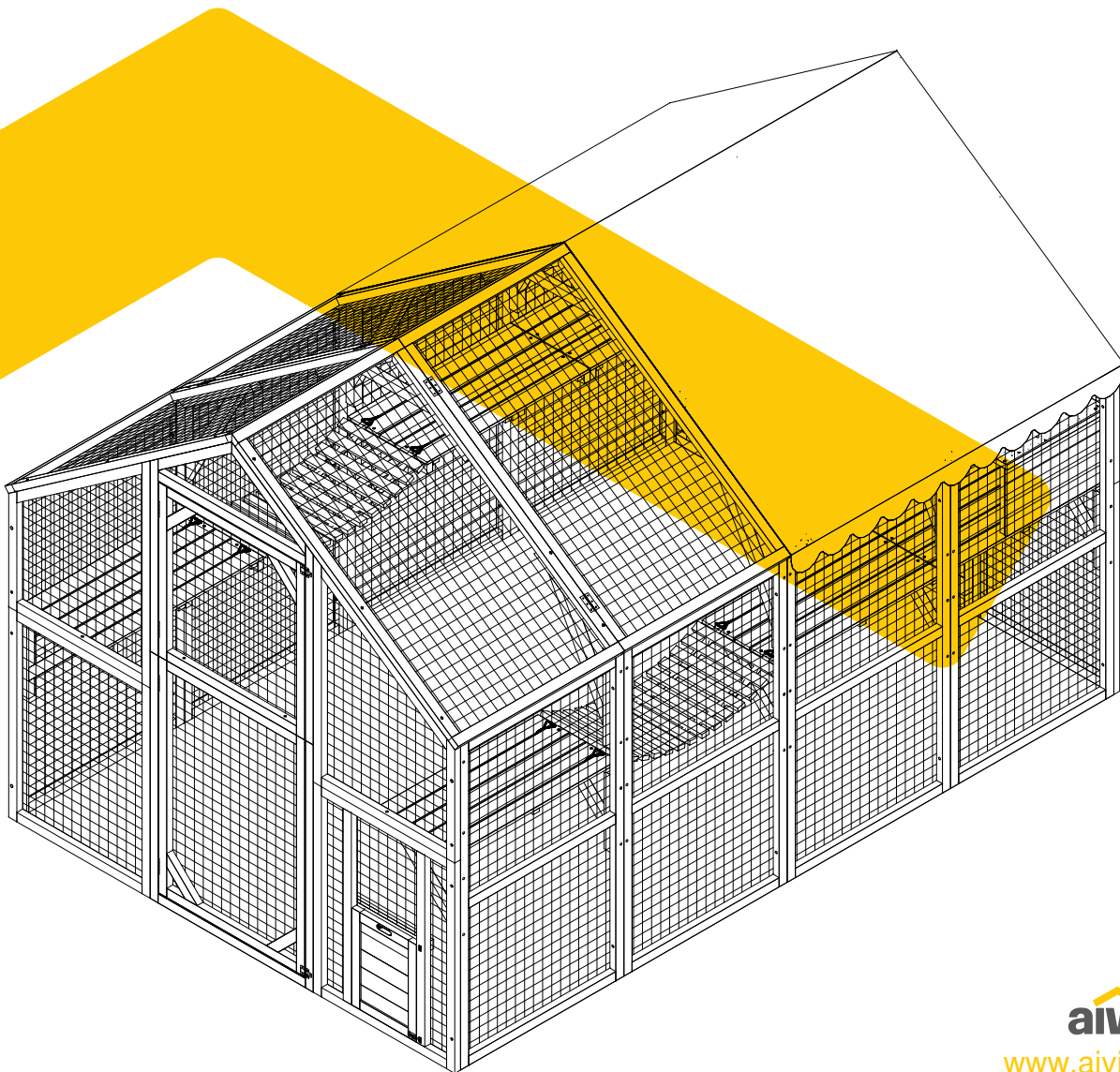


# INSTRUCTION MANUAL

AIR 52





## NOTICE

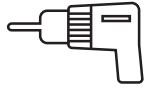
Please retain these instructions for future

- Firmly secure all bolts, screws and knobs before use.
- Reconfirm that all bolts, screws, and knobs are secure every 90 days.
- Fasten screws loosely during initial assembly. Do not fully tighten screws until the item is completely assembled.
- Do not use or store this item in the proximity of open flame or flammable/combustible chemicals.
- Be aware that some parts are heavy and have sharp edges.
- Be aware that moving parts can injure, crush and cut.
- If any parts are missing, broken, damaged, or worn, stop using this product until repairs are made and/or factory replacement parts are installed.
- Do not use this item in a way inconsistent with the manufacturer's instructions as this could void the product warranty.

## TOOLS REQUIRED



PHILLIPS  
SCREWDRIVER



DRILL  
(RECOMMENDED)



2PERSON  
ASSEMBLY



APPROXIMATELY  
60MIN. ASSEMBLY

## HARDWARE

M6.0x80 mm BOLT  
12PCS+1 spare



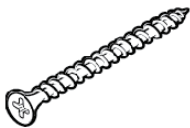
P1

M6.0x70 mm BOLT  
48PCS+1 spare



P2

M4.0x60 mm SCREW  
27PCS+1 spare



P3

M3.5x50 mm SCREW  
20PCS+1 spare



P4

M3.5x40 mm SCREW  
52PCS+1 spare



P5

M3.5x30 mm SCREW  
8PCS+1 spare

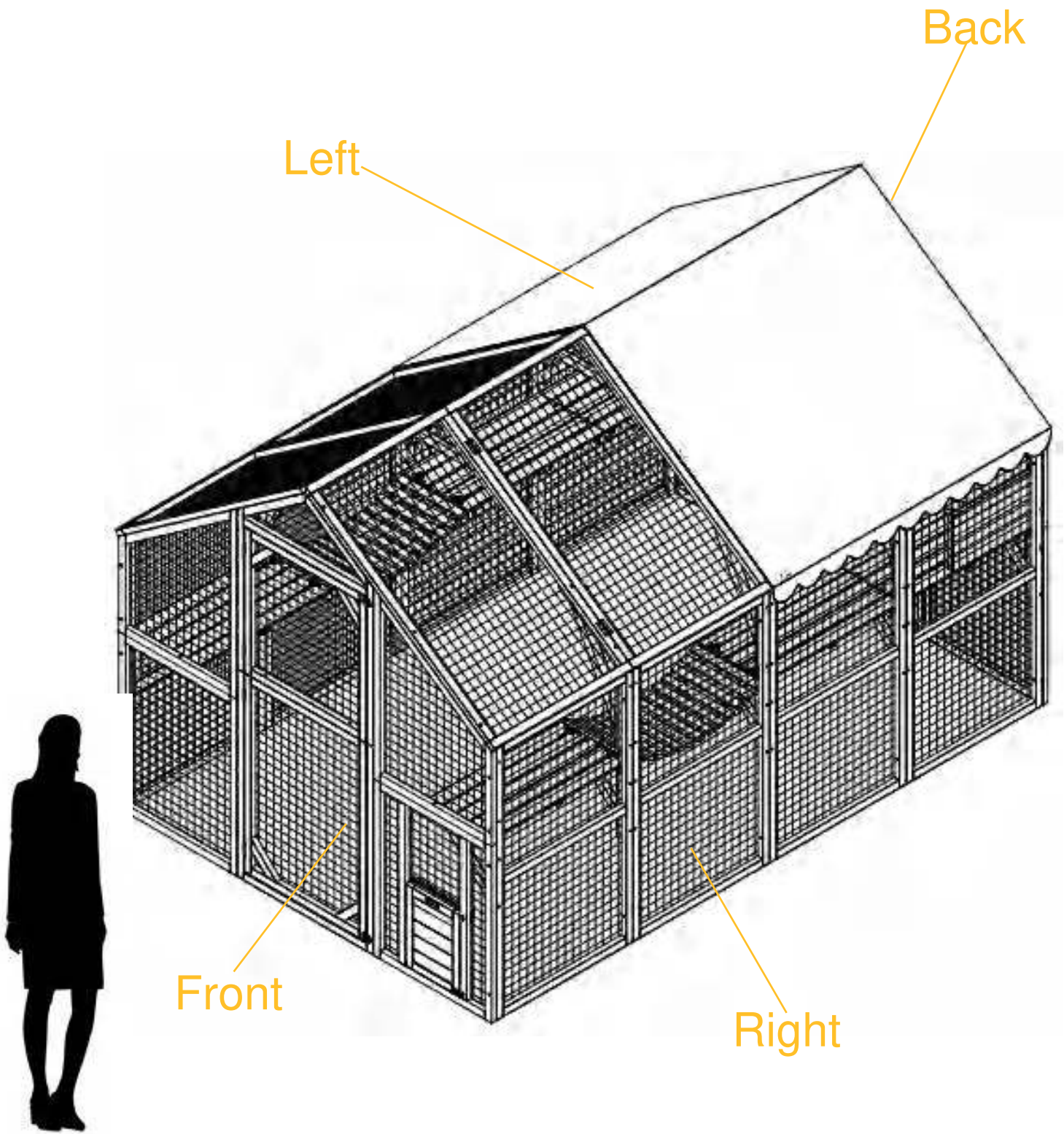


P6

M3.5x25 mm SCREW  
16PCS+1 spare



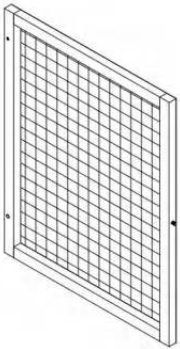
P7



# PARTS

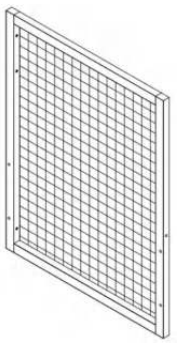
## CARTON 1/4

Lower left panel -front & back  
1PC



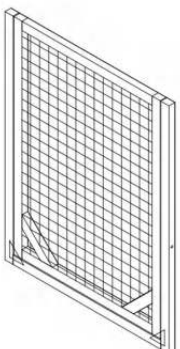
**B**

Back panel-down & middle  
1PC



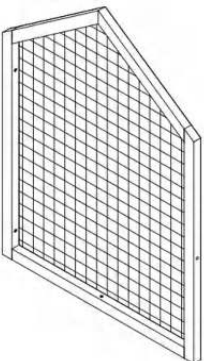
**C**

Front panel-down & middle  
1PC



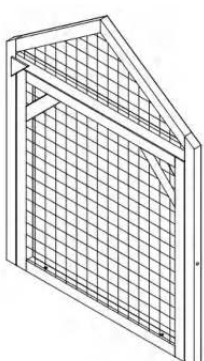
**D**

Back panel- upper & middle  
1PC



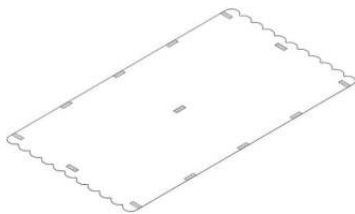
**G**

Front panel- upper & middle  
1PC



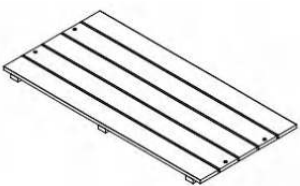
**H**

Waterproof Cover  
1PC



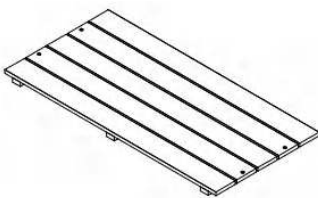
**J**

Layer  
5PCS



**O**

Bottom of small house  
2PCS



**Q**

Hardware bag

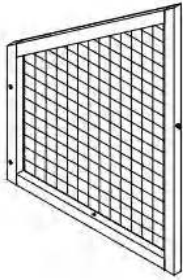


**P1 P2 P3 P4 P5 P6**

# PARTS

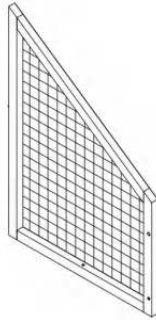
## CARTON 2/4

Upper right panel- front & back  
2PCS



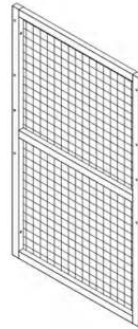
**E**

Upper left panel-front & back  
2PCS



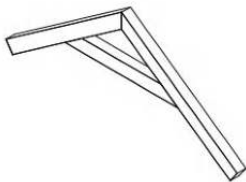
**I**

Side panel  
2PCS



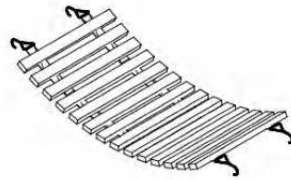
**K**

Roof supporting bar  
3PCS



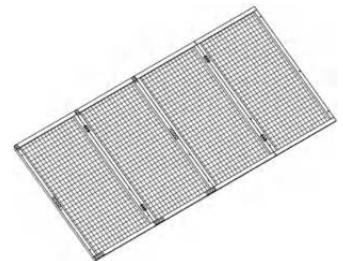
**L**

Bridge  
2PCS



**P**

Left roof  
1PC

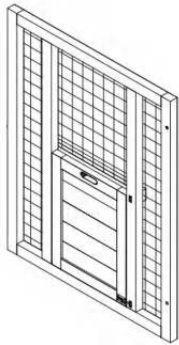


**V**

# PARTS

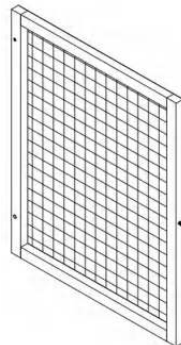
## CARTON 3/4

Lower right panel -front & back  
2PCS



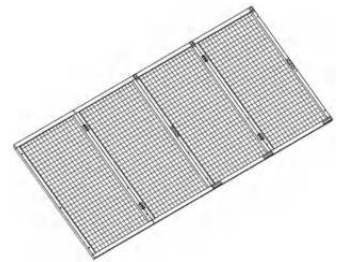
**A**

Lower left panel -front & back  
1PC



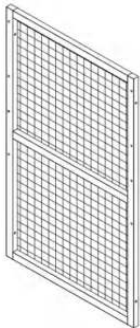
**B**

Right roof  
1PC



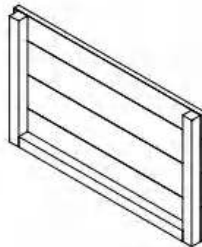
**F**

Side panel  
2PCS



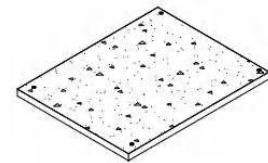
**K**

Right panel of small house  
2PCS



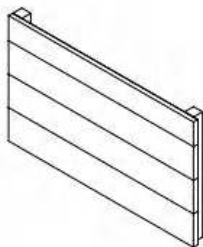
**S**

Roof of small house  
2PCS



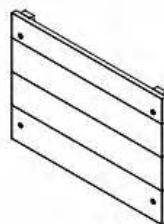
**R**

Left panel of small house  
2PCS



**T**

Back panel of small house  
2PCS

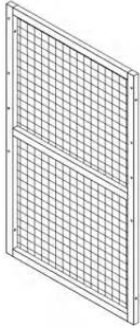


**U**

# PARTS

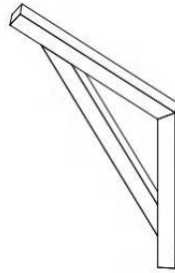
## CARTON 4/4

Side panel  
4PCS



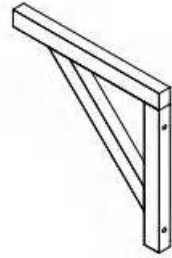
**K**

Side supporting bar  
6PCS



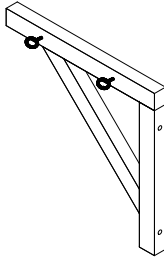
**M**

Layer supporting bar  
10PCS



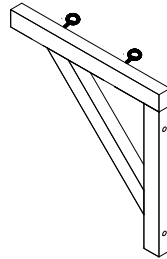
**N**

Laryer supporting bar with hook fitting ( The hook fitting is on the left side)  
2PCS



**N1**

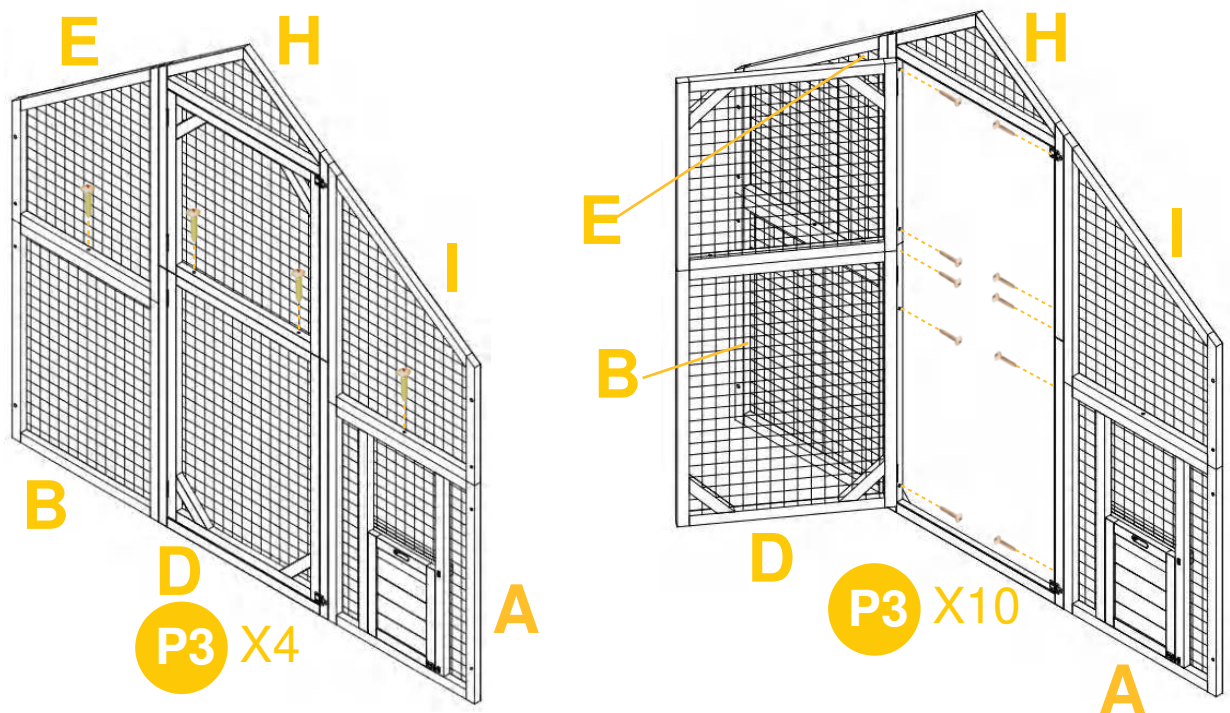
Laryer supporting bar with hook fitting ( The hook fitting is on the right side)  
2PCS



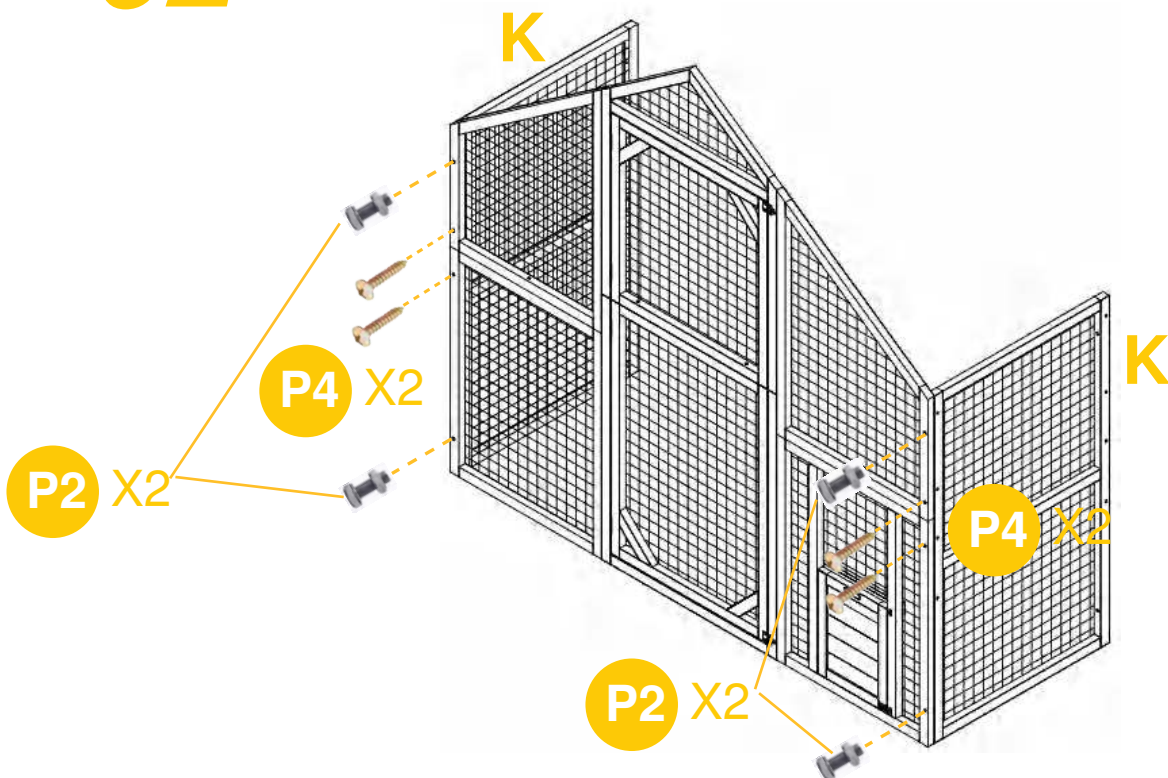
**N2**

# PRODUCT ASSEMBLY

**01** Connect the front panels, screw Part A, B, D, E, H, I by 14XP3.

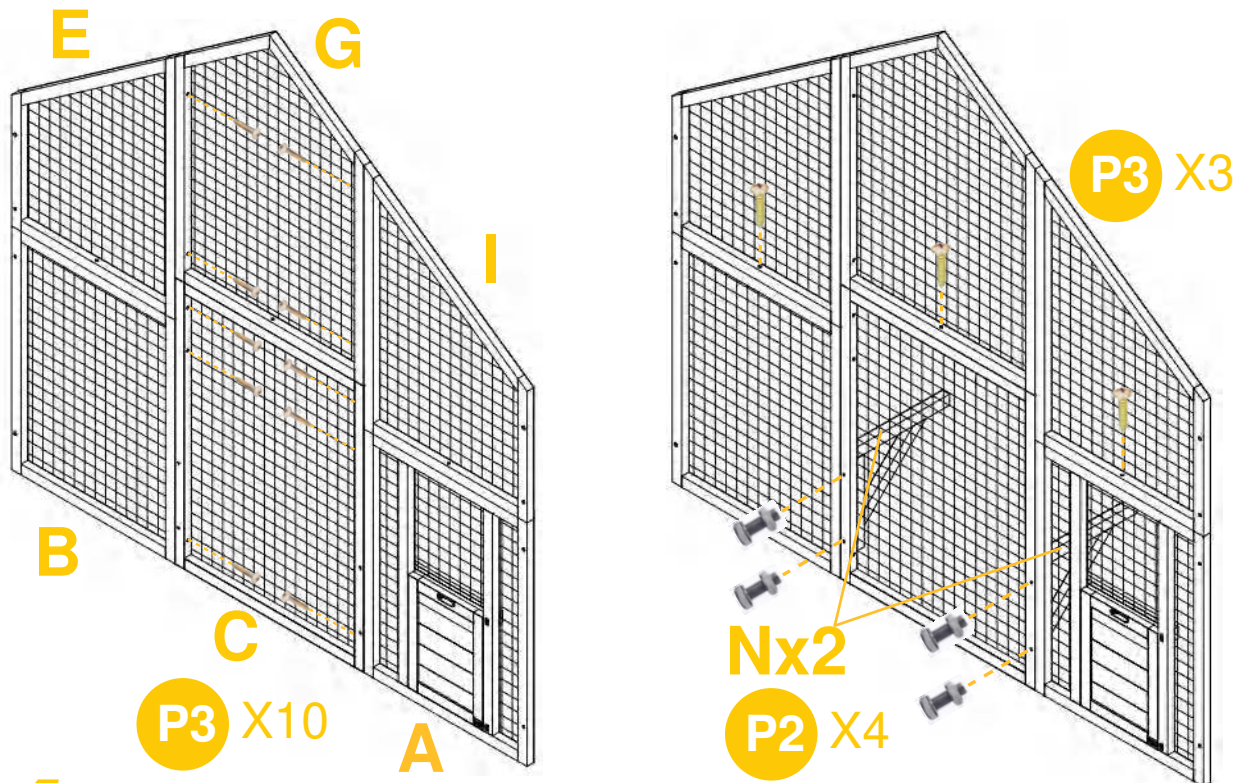


**02** Attach side panel Part K to front side by 2XP4 screws in middle position and 2XP2 bolts in side position each side.

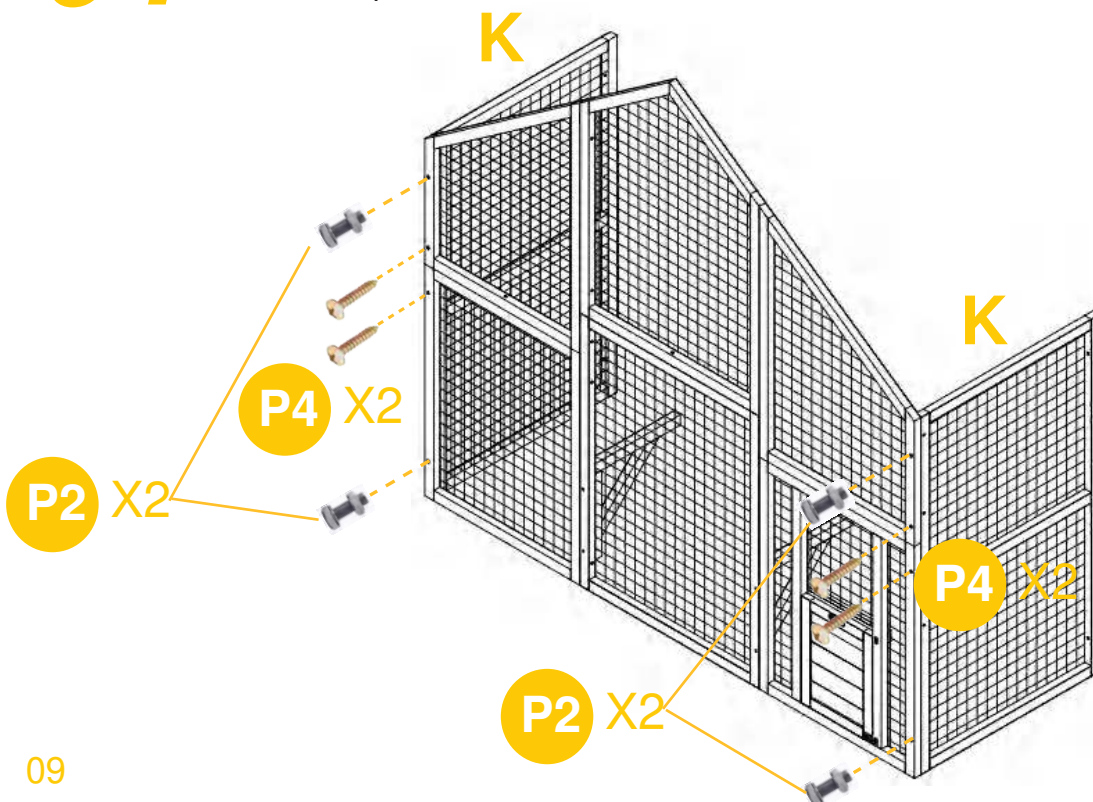


## PRODUCT ASSEMBLY

- 03** ① Connect the back panels, screw Part A,B,C,E,G,I by 13XP3.  
② Bolt the layer supporting bar Part N by 4XP2.



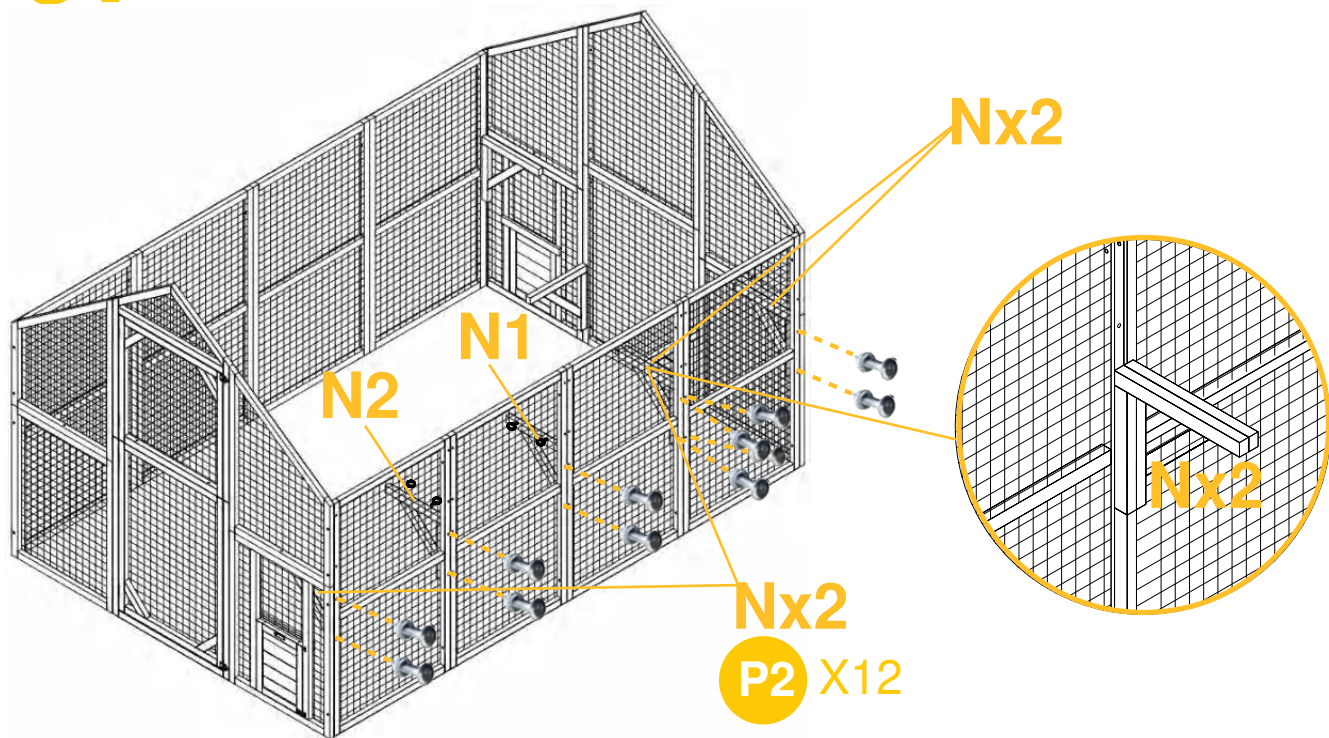
- 04** Attach side panel Part K to back side by 2XP4 screws in middle position and 2XP2 bolts in side position each side.



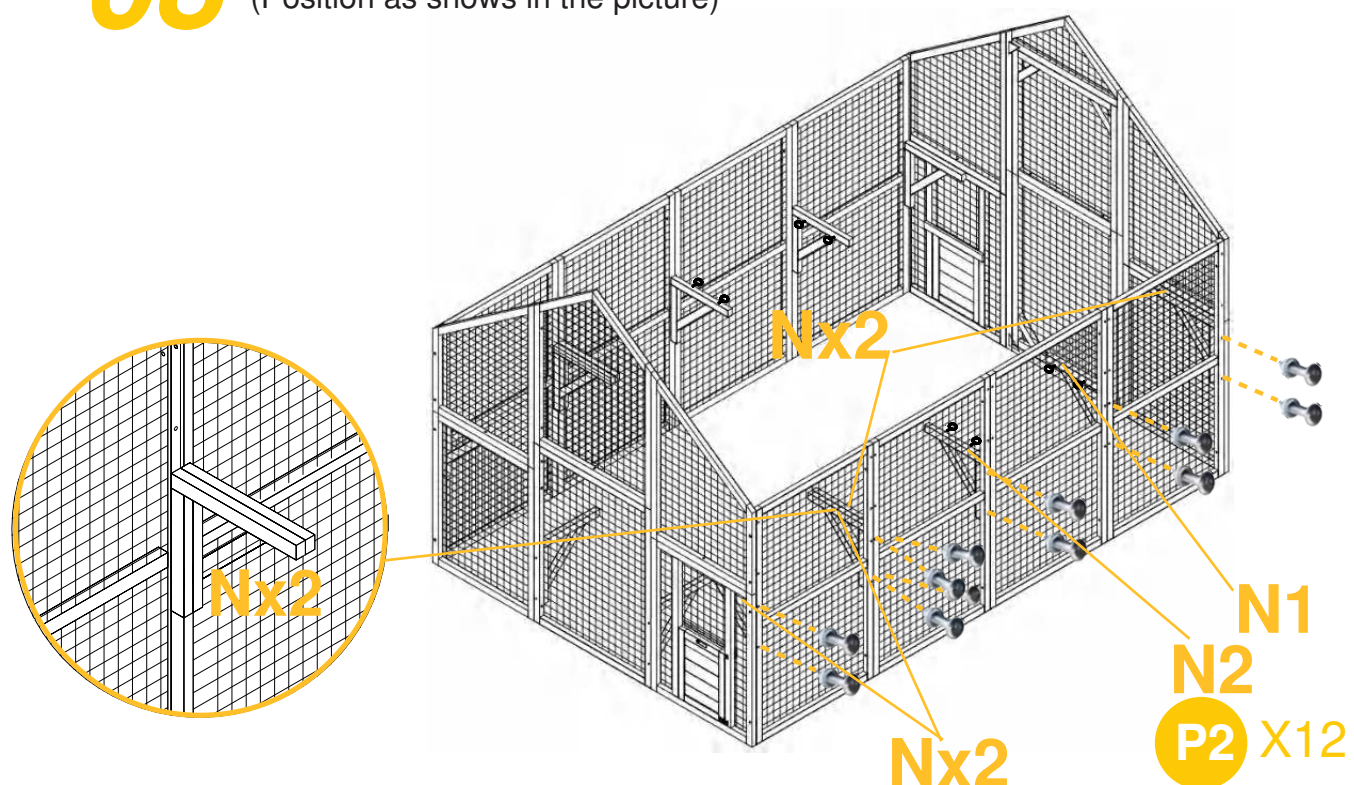


# PRODUCT ASSEMBLY

**07** Bolt the layer support bars Part N ,N1 & N2 by 12XP2.  
(Position as shows in the picture)

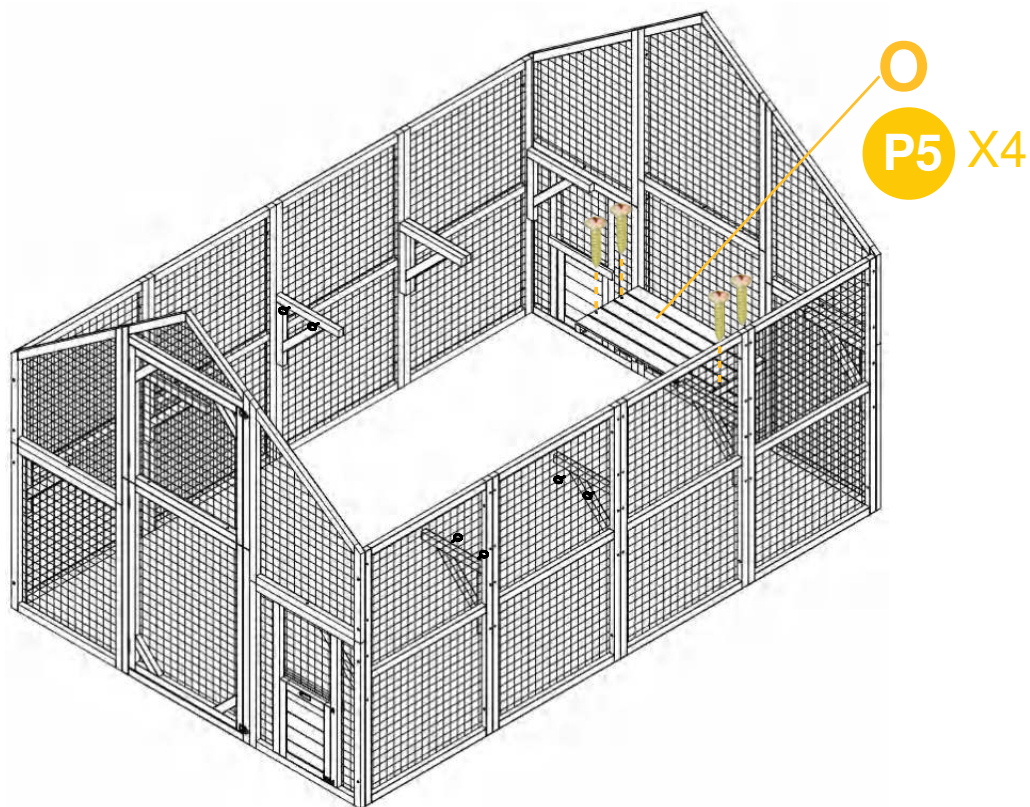


**08** Bolt the layer support bars Part N ,N1 & N2 to the other side by 12XP2.  
(Position as shows in the picture)

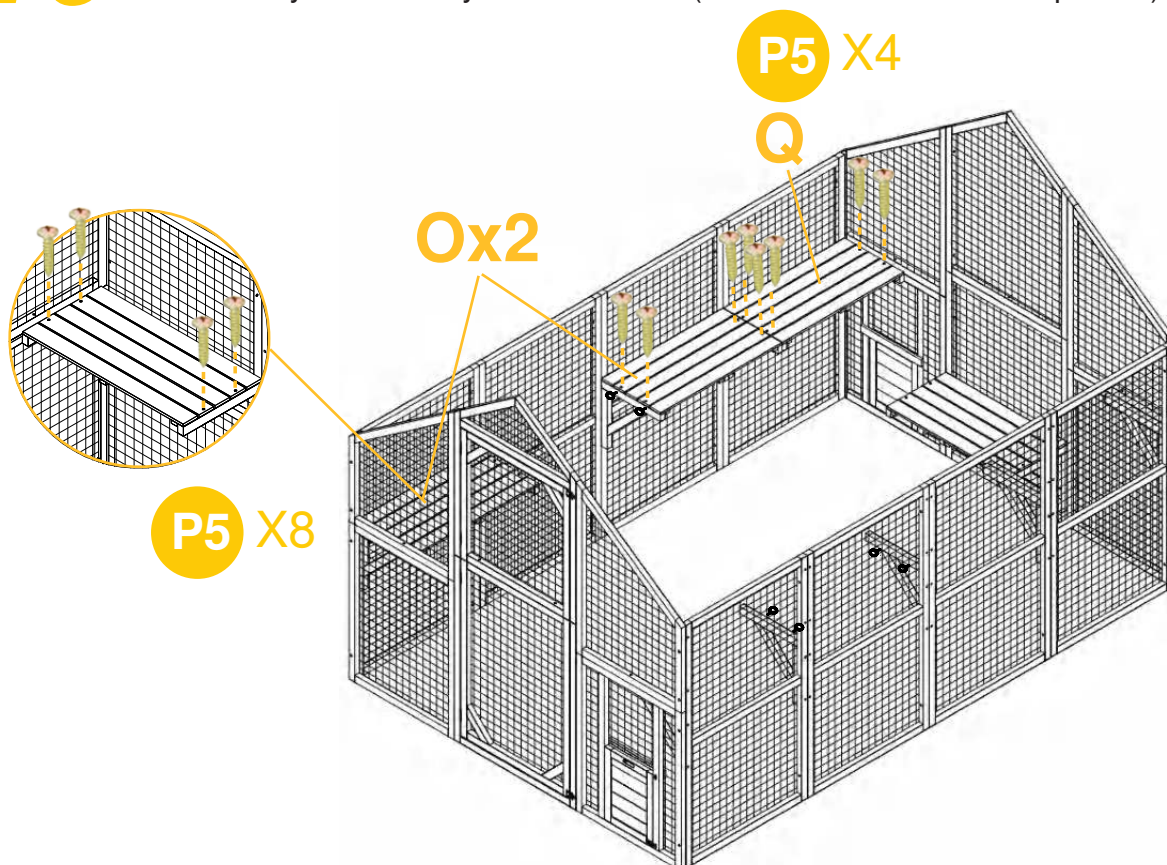


## PRODUCT ASSEMBLY

**09** Attach layer Part O by 4XP5 screws. (Position as shows in the picture)

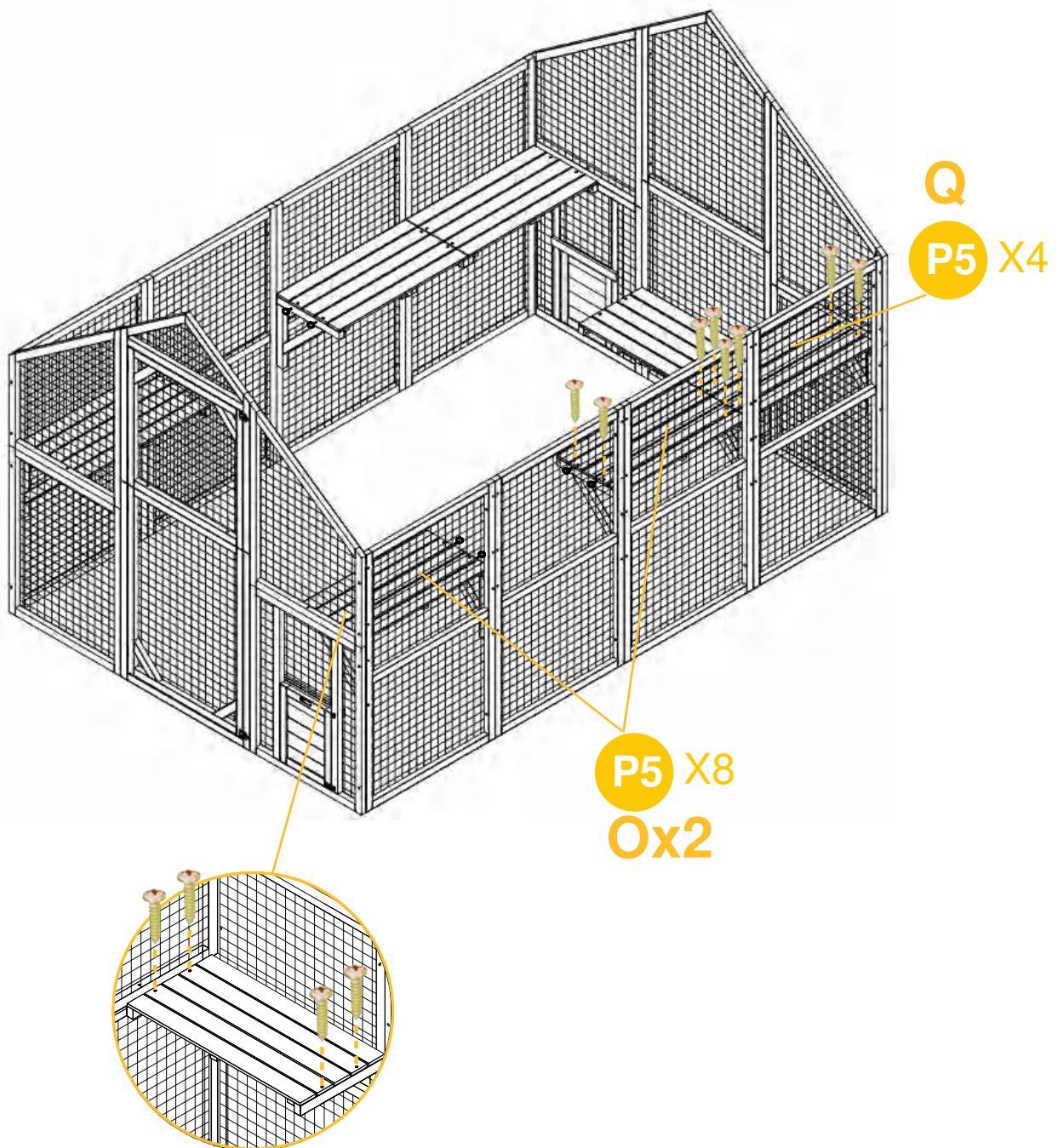


**10** ① Attach layer Part O by 8XP5 screws. (Position as shows in the picture)  
② Attach layer Part Q by 4XP5 screws. (Position as shows in the picture)



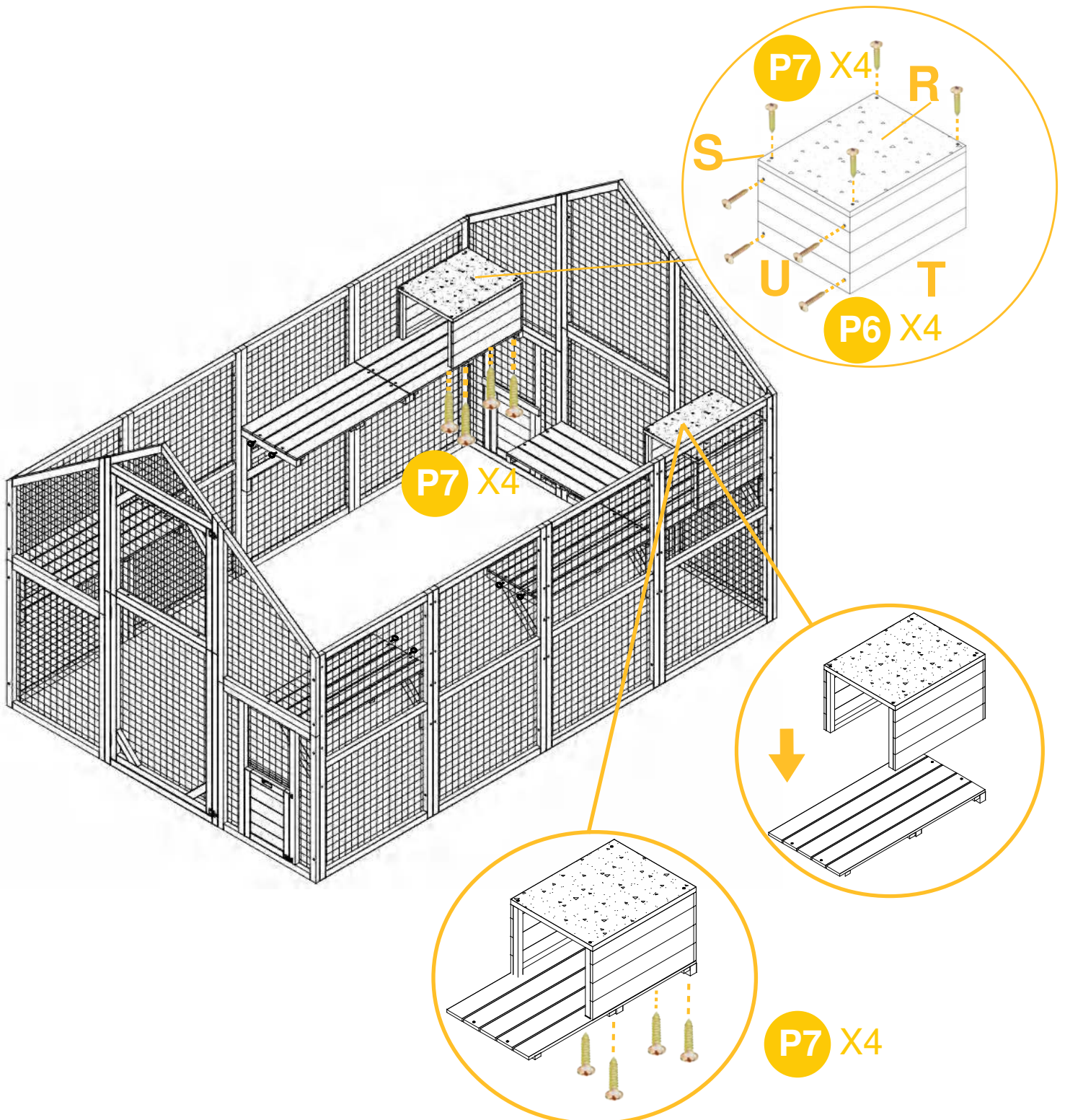
## PRODUCT ASSEMBLY

- 11** ① Attach layer Part O to the other side by 8XP5 screws. (Position as shows in the picture)
- ② Attach layer Part Q the other side by 4XP5 screws. (Position as shows in the picture)



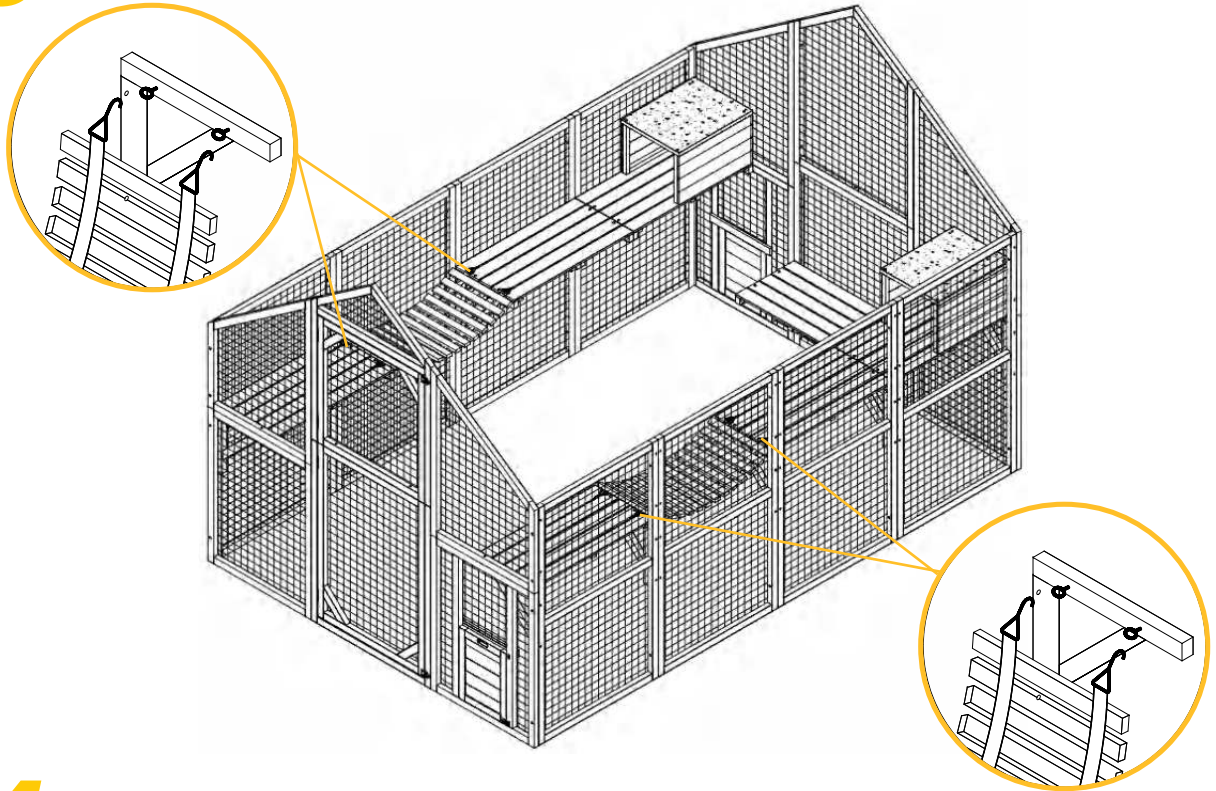
## PRODUCT ASSEMBLY

- 12** ① Attach the 2 small houses, screw back panel Part U to side panel Part S&T by 4XP6, screw roof Part R by 4XP7.  
② Screw the small house to the layer from the bottom by 4XP7 each.

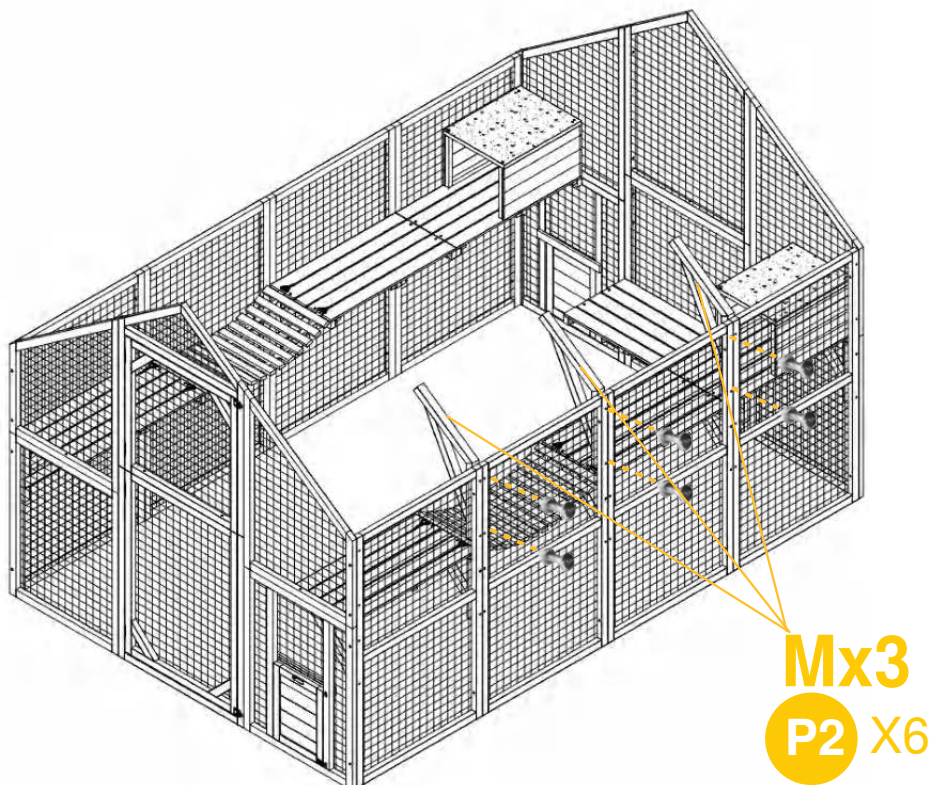


## PRODUCT ASSEMBLY

**13** Hook the bridge Part P to layers.

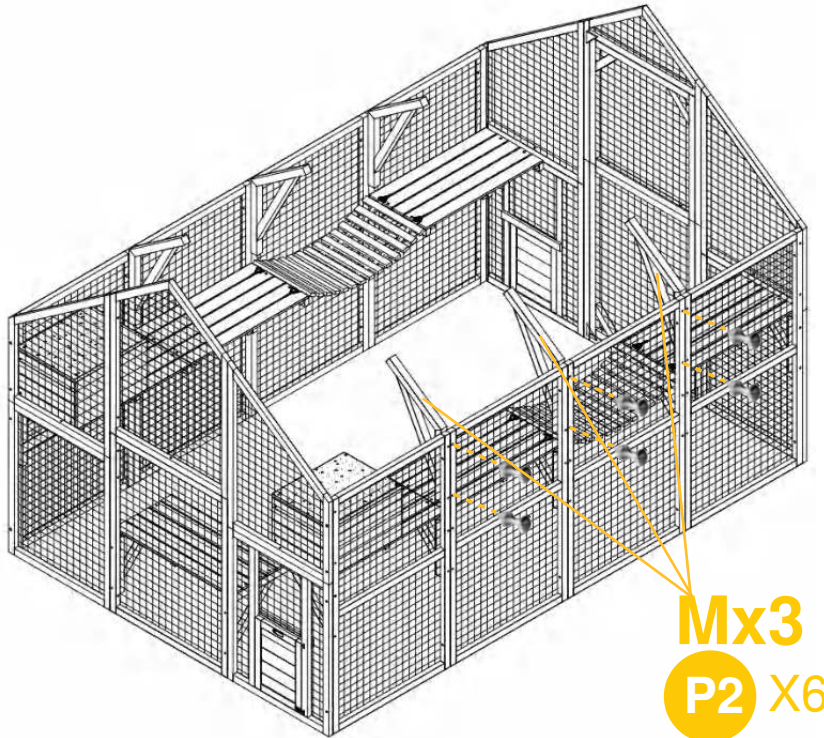


**14** Bolt side supporting bar Part M by 6XP2.

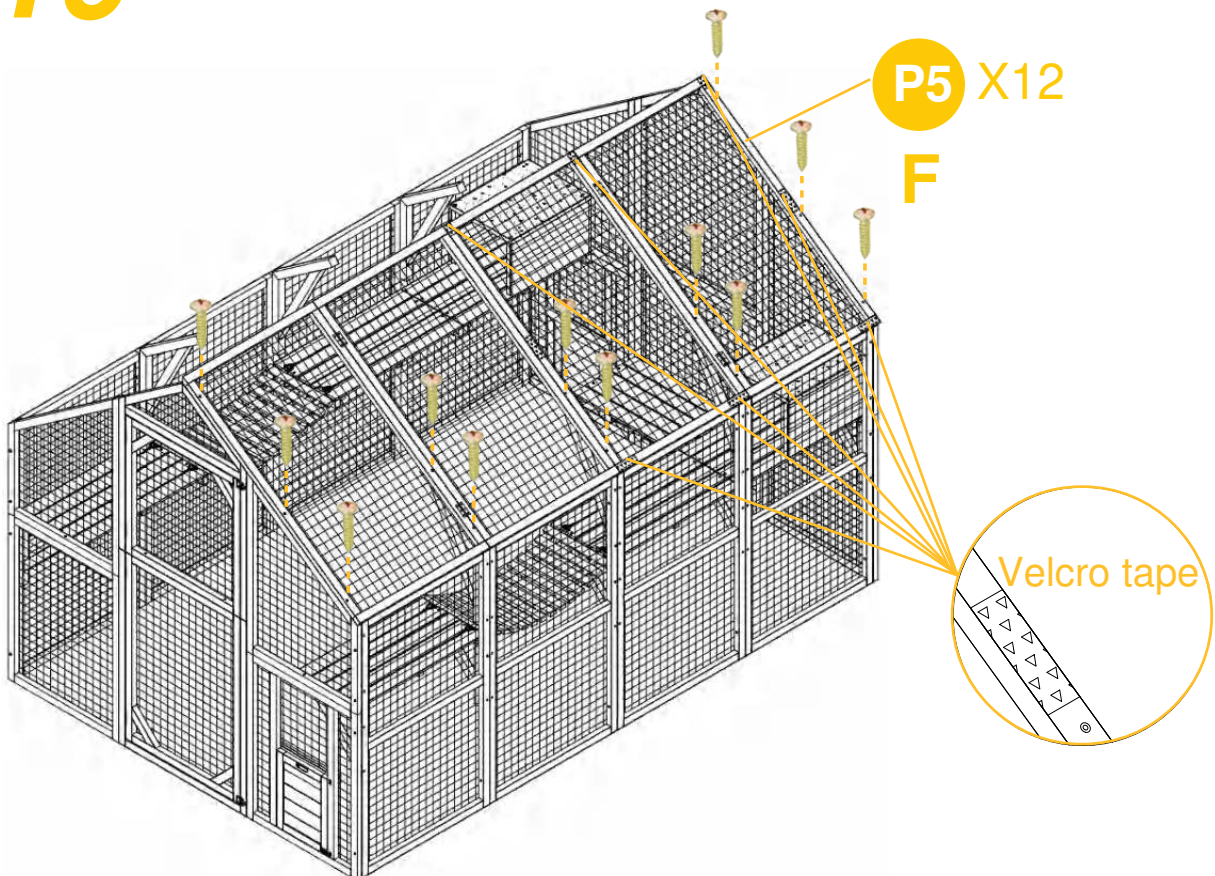


## PRODUCT ASSEMBLY

**15** Bolt side supporting bar Part M to the other side by 6XP2.

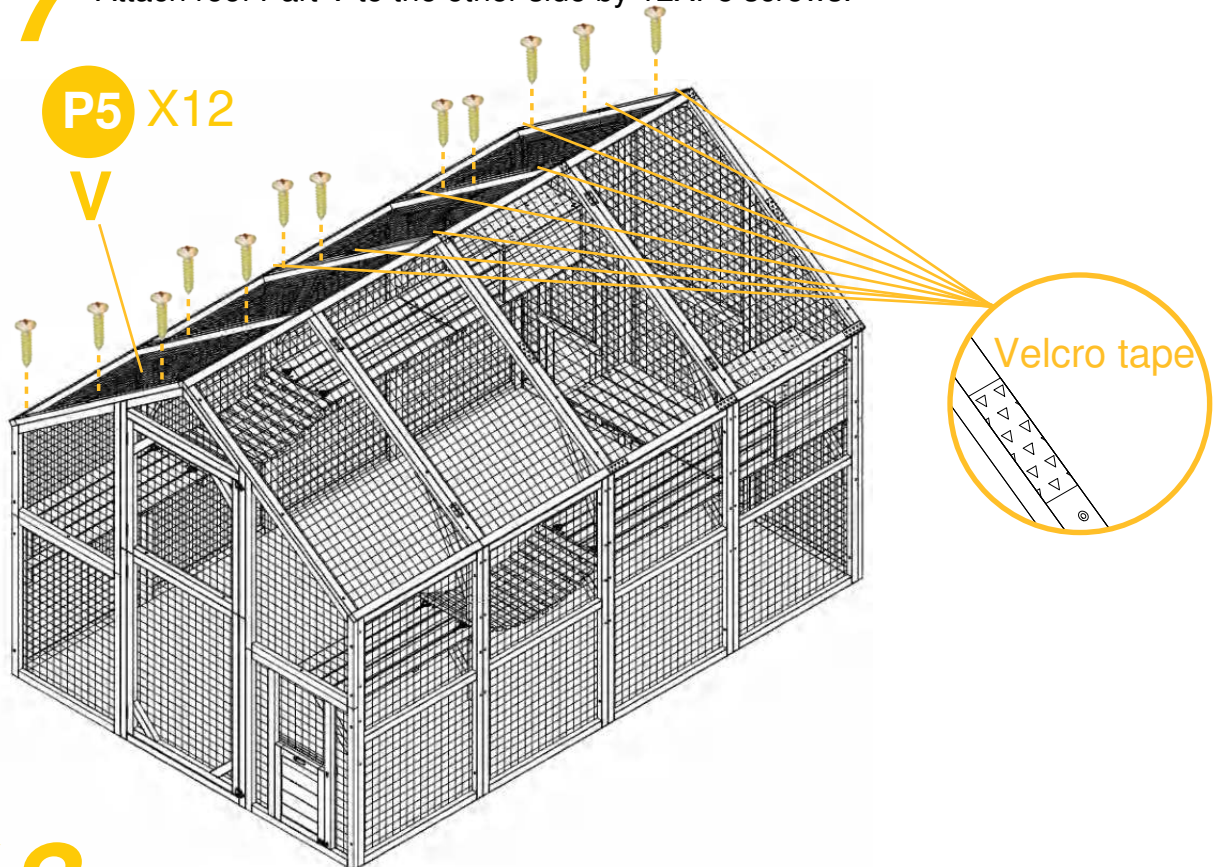


**16** Attach roof Part F by 12XP5 screws.

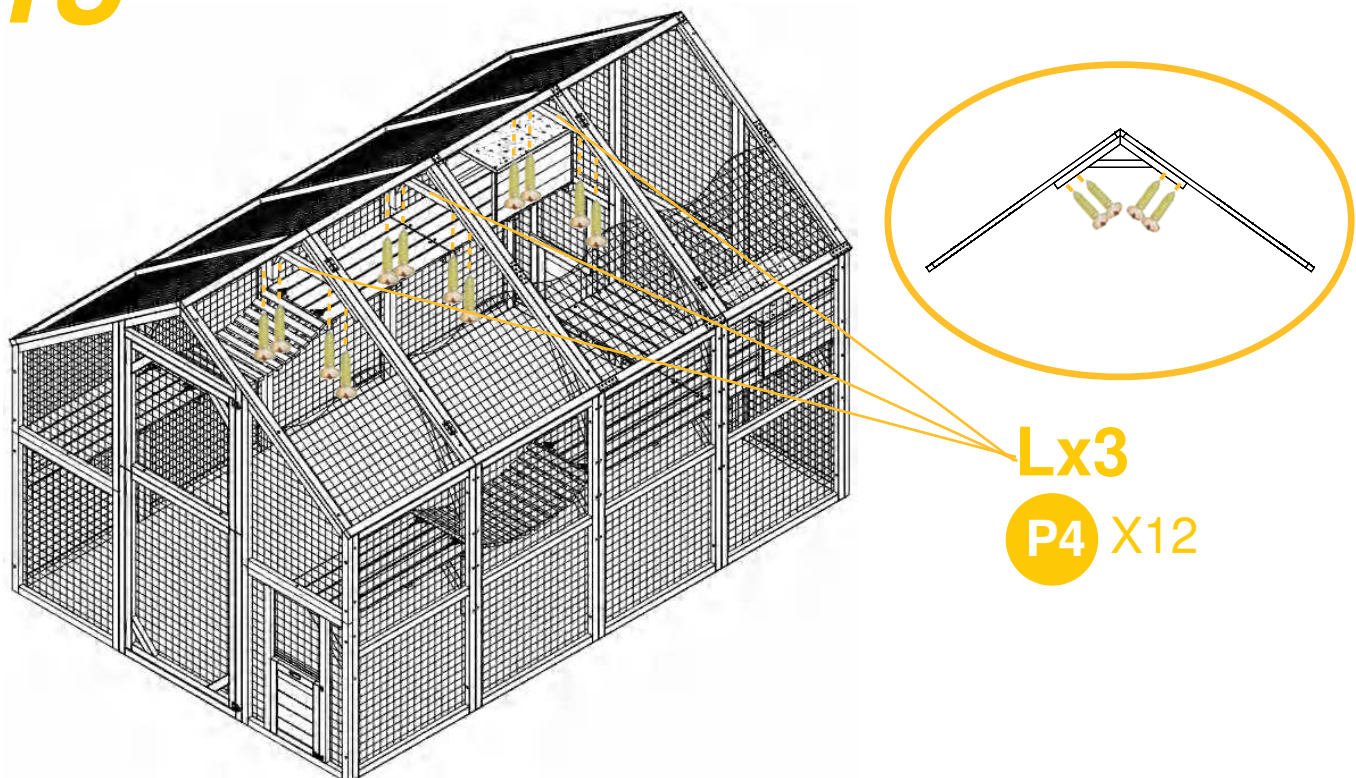


## PRODUCT ASSEMBLY

**17** Attach roof Part V to the other side by 12XP5 screws.

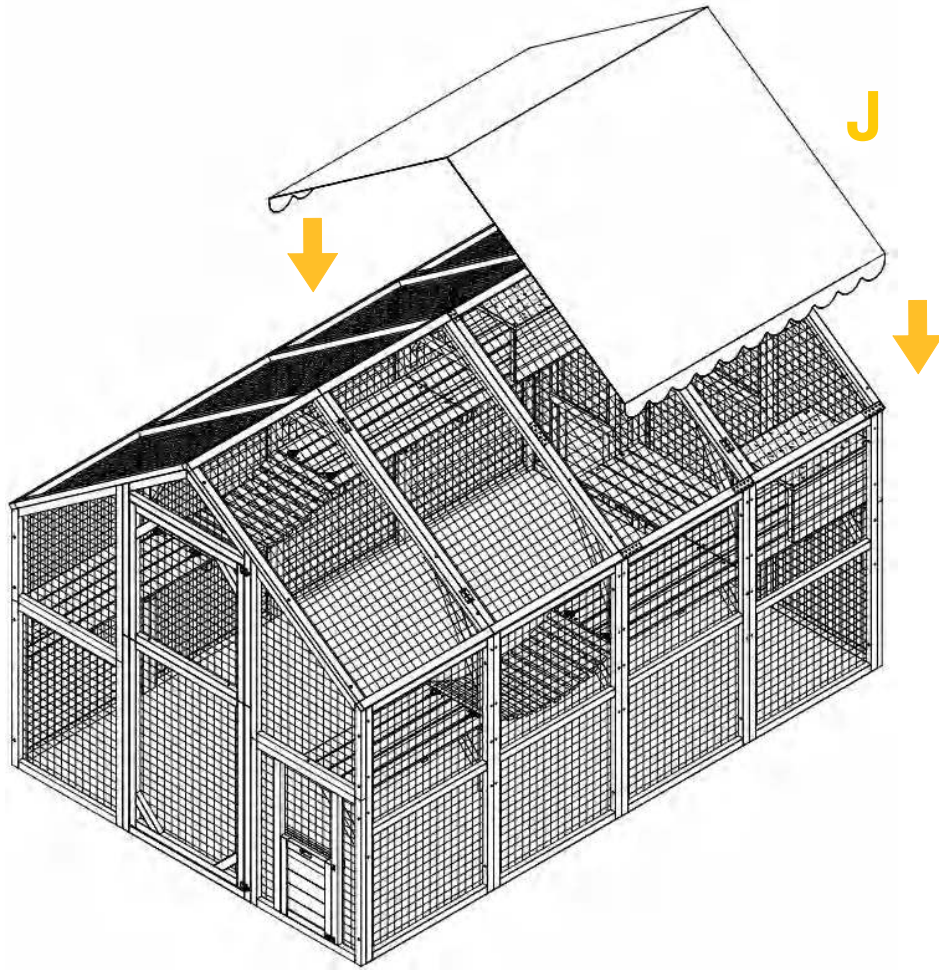


**18** Open the door, walk into the cat run, and lock roof supporting bar Part L by 12XP4 screws.



## PRODUCT ASSEMBLY

**19** Stick the Cover Part J by Velcro.



Finish



**WARNING**

Manufacturer and seller expressly disclaim any and all liability for personal injury, property damage or loss, whether direct, indirect, or incidental, resulting from the incorrect attachment, improper use, inadequate maintenance, or neglect of this