

USER MANUAL

Thank you for purchasing our product.

Please note: We can only provide parts service when the original purchase order from our authorized seller can be identified.

Please include the product number, order number if any, and your phone number in the email.

If there are broken or missing parts, please include the part numbers and quantities, and your address. We will ship you the replacement parts.

All emails will be answered within 24 hours.

For hard to explain problems, please send us a few pictures showing the problems if you can.

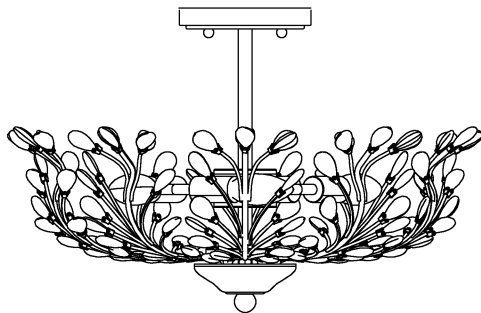
We involve the factory technicians directly in the support, so you can be assured you will deal with the experts.

CAUTION

1. Rated 110~130V/60Hz, bulb 40W maximum.
2. Care should be taken to avoid damage to the surface of lighting and wire. Wearing gloves are recommended when installing.
3. Keep lighting away from acid, alkali and other corrosive chemical or gas, clean the lighting with clean soft cloth only.
4. Installation must be carried out by qualified electrician only.
5. Disconnect the power before installing, cleaning and replacing lighting.
6. Never cover the lighting when power is connected.

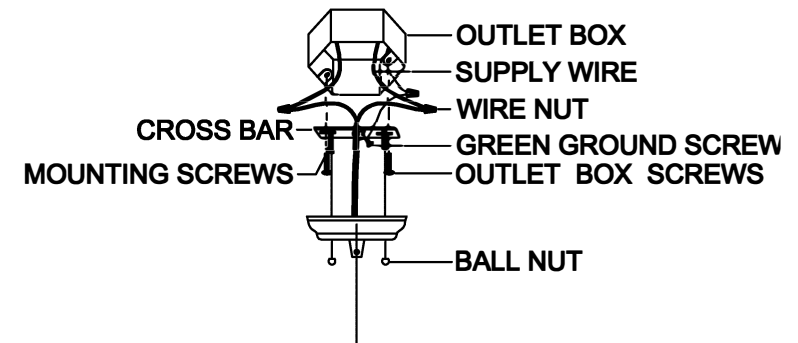
MISE EN GARDE

1. Évalué 110 ~ 130V / 60Hz, ampoule 40W maximum.
2. Des précautions doivent être prises pour éviter d'endommager la surface de l'éclairage et du fil. Le port de gants est recommandé lors de l'installation.
3. Gardez l'éclairage éloigné de l'acide, des alcalis et d'autres produits chimiques ou gaz corrosifs, nettoyez l'éclairage uniquement avec un chiffon doux et propre.
4. L'installation doit être effectuée uniquement par un électricien qualifié.
5. Débranchez l'alimentation avant d'installer, de nettoyer et de remplacer l'éclairage.
6. Ne couvrez jamais l'éclairage lorsque l'alimentation est connectée.

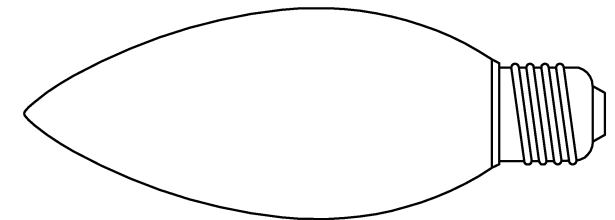


The wiring connection of luminaire and outlet box

There are two main wires. One is in black and the other is in white. Be sure to connect, the black wire (positive electrode) to the outlet box wire (positive electrode), the white wire (negative electrode) to the outlet box wire (negative electrode) and the copper fixture ground wire to the supply ground wire with wire connectors.



Requires E12 40W bulbs (not included)



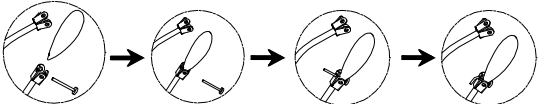
INSTRUCTION

5/16/2024

4A. Lock the crossbar on the junction box of the ceiling using the longer screws in the accessories bag.
 4B. Connect the wires. Connect the black wire to the hot wire from the ceiling. Connect the white wire to the neutral wire from the ceiling. Lock the bare ground wire to the green screw on the crossbar. Lock the bare ground wire to the green screw on the crossbar.
 4C. Cover the ceiling plate (part #2) on the crossbar (part #1). Fasten it using the nuts (part #3).

6. Install 4 E12 bulbs (Not included).

5. Fasten the straight pipe (part #6), the light sockets (part #5) and the center rod (part #4) using the nipple on the ceiling plate (part #2).

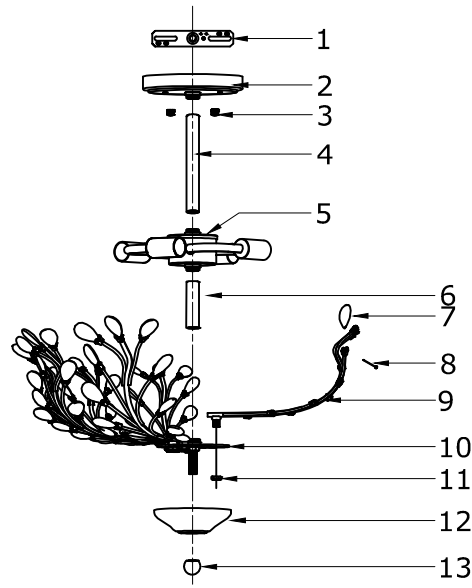


1. Push through the pin (part #8) first, bend it down using a pair of pliers. There's no need to break off. The crystals (part #7) will be attached to the branches (part #9) tightly after you do.

3. Tighten the iron cover (part #12) on the round piece (part #10) using the nuts (part #13).

2. Fasten 9 branches (part #9) on the round piece (part #10) using the screws (part #11).

Please note: The parts in this table are completely unassembled, for illustrative purpose. In the actual product that you receive, some parts are assembled and attached together.



Part Number	Picture	Quantity
1		1
2		1
3		2
4		1
5		1
6		1
7		99
8		99
9		9
10		1
11		9
12		1
13		1
spare parts		2
		2
		10
		4