

**THANK YOU FOR
CHOOSING**

HILO

**THE ALL-IN-ONE
SMART MIRROR**

www.hilosmartmirror.com



Magic on the wall

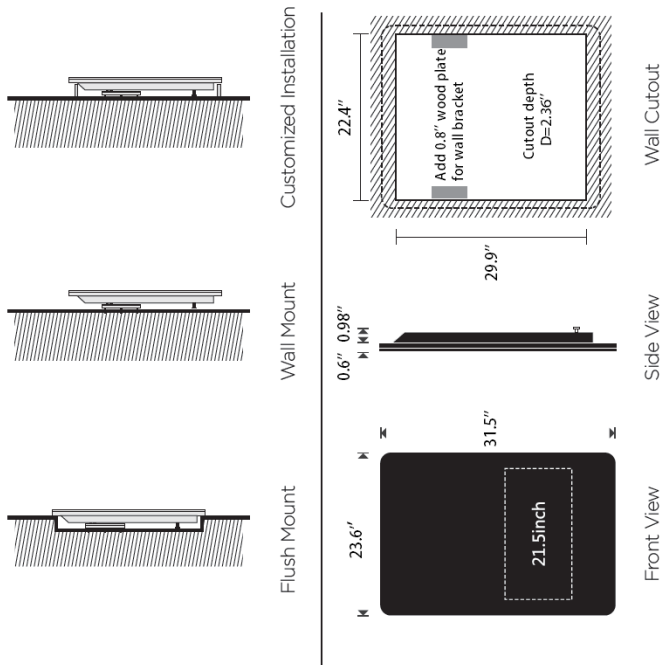
LE MIROIR

Montreal

service@hilosmartmirror.com



INSTALLATION GUIDE



GETTING STARTED

1. After the installation plug the included adapter into the wall
2. Click on the RED button for 3s
3. Wait until the system finishes starting
4. HILO App turns automatically 30-60 seconds after the mirror is on.
5. Connect to your Home Wi-Fi
 1. Go to setting
 2. Click on Wi-Fi
 3. Select your Wi-Fi d. Type your Wi-Fi password
6. You can now go into Play Store and download your Apps
7. For a better experience we recommend you to make all the updates

N.B: Hilo App is used to set the timer of the motion detection and keep the screen ON when you're not close!

If you have a question visit the FAQ section
<https://www.hilosmartmirror.com/faqs/>

Your issue is not listed! Contact us via
www.hilosmartmirror.com/contact-us/
 or email us at

service@hilosmartmirror.com
 Someone will reach out to you within
 24hours

NOTES

Water Resistance

Hilo Mirrors are certified IP65 water-resistant. Mean it resist water splash and mist. But:

- I. CANNOT BE SUBMERGED BY WATER
- II. Must be at least 20" from a water source
- III. In case you noticed some unusual, unplug the mirror and contact the support center

Privacy

- I. We recommend creating a new Gmail account that will be dedicated to the mirror
- II. Hilo Never collect any kind of data from your device
- III. Hilo uses Android security protocols to keep the device secure
- III. Updates are done over the network if needed, you will receive a pop-up asking you if you like or not to update the system
- IV. Camera: NO CAMERA is installed on consumer products. Cameras are only available to businesses with a formal request

